

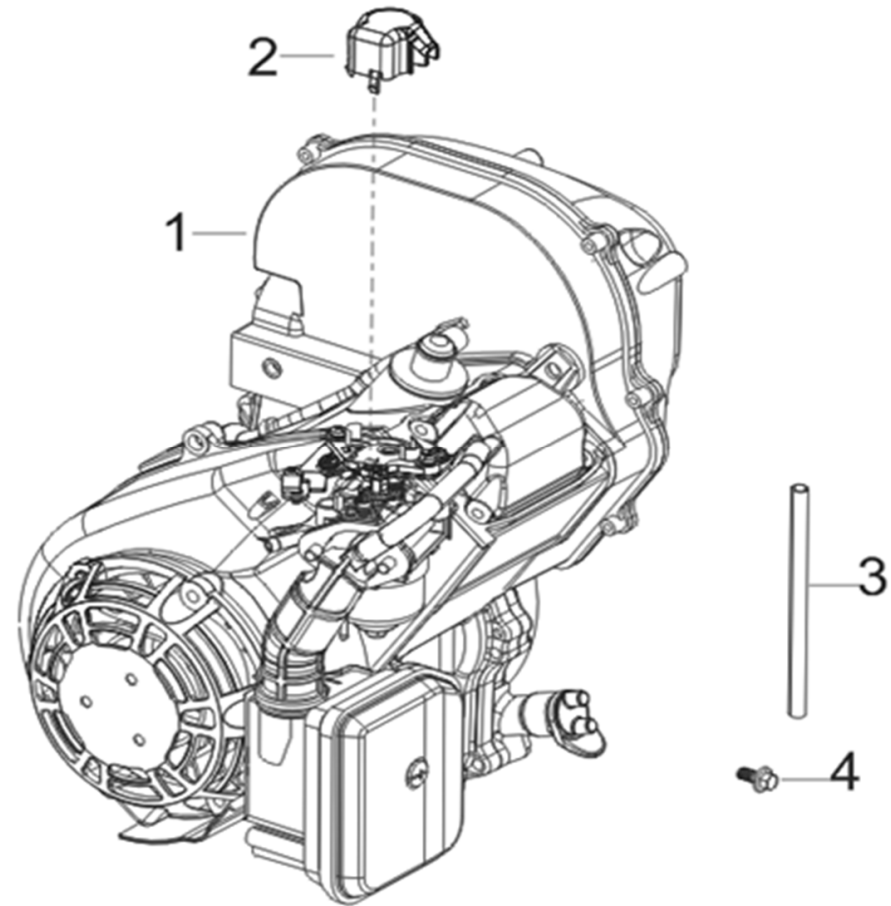
## 2000W INVERTER MITM OUTDOOR GENERATOR



VENDOR:	RATO
MODEL:	GEN-2000-0DM0
DATE:	4/27/15
DRAWN BY:	ADAM COATES

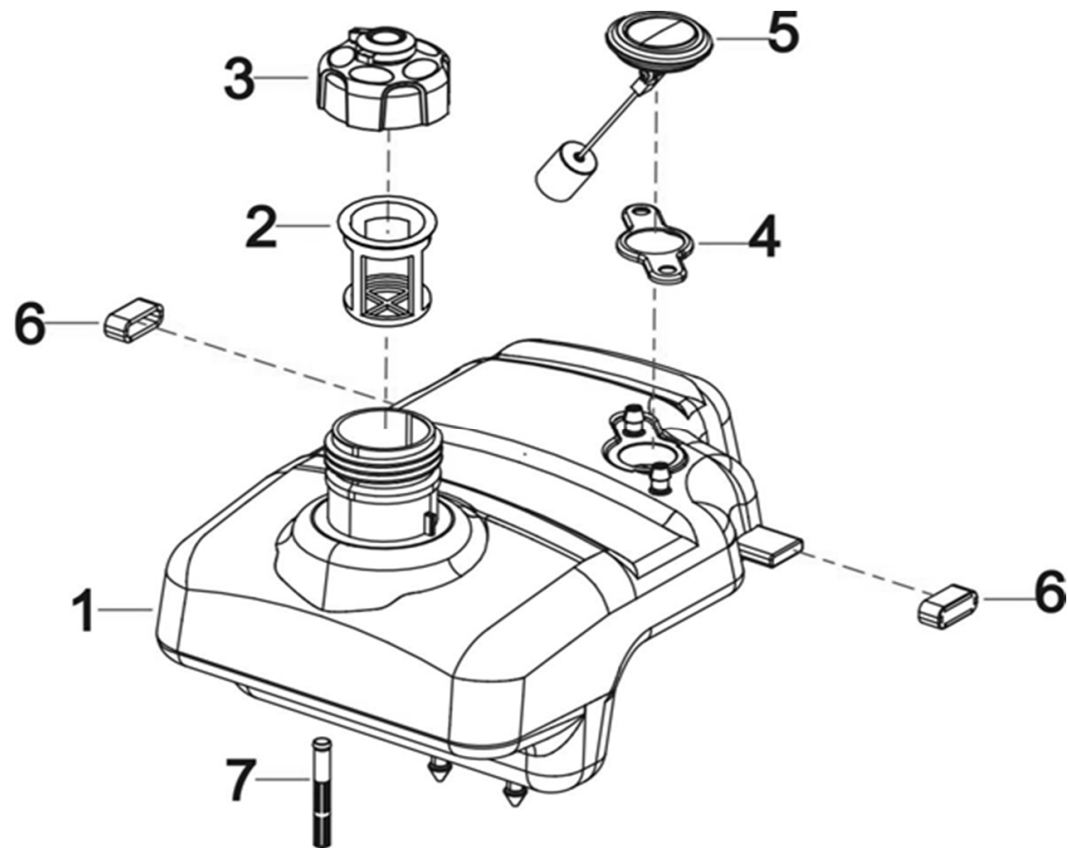
DATE:	DESCRIPTION:	BY:
9/3/2015	CHANGE DESCRIPTION ON 80-0181 TO REMOVE GFCI	ALC

**FIG.1 ENGINE ASSY**



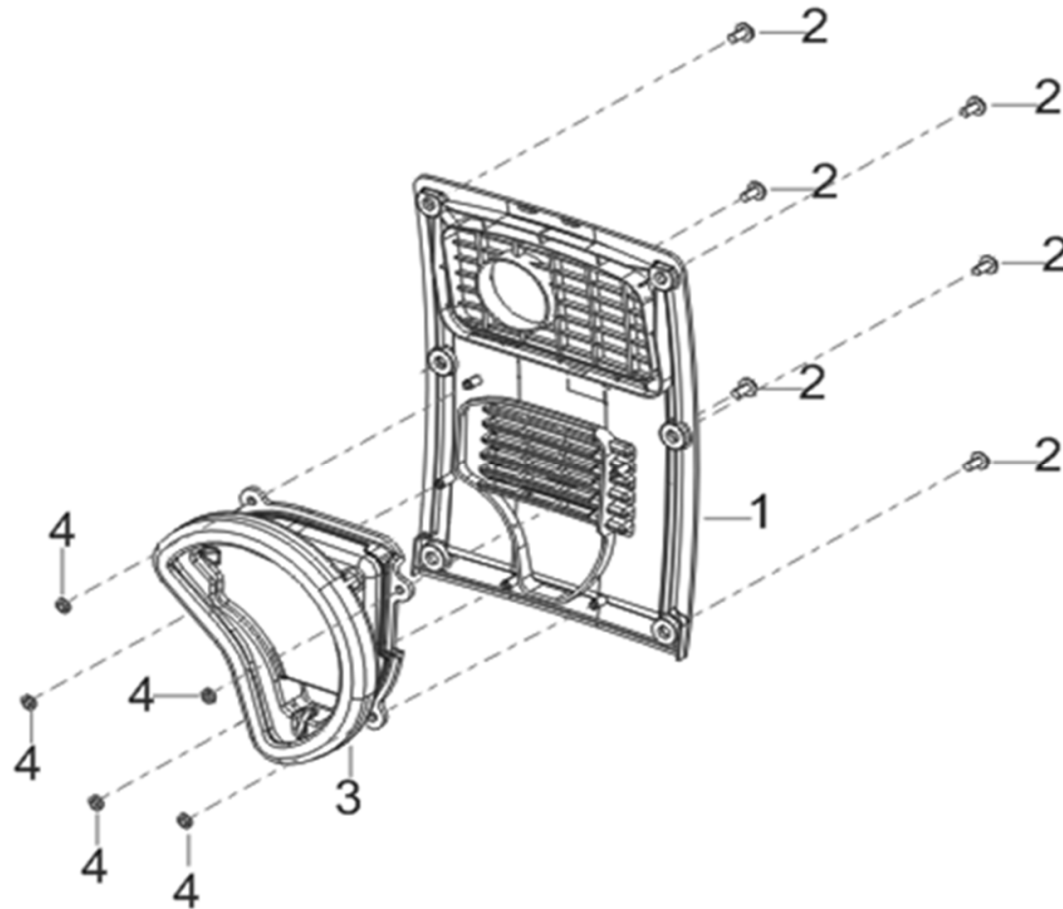
REF NO.	DESCRIPTION	QTY	MITM #	RATO #
1-01	ENGINE- 79CC INVERTER	1	1-0232	R80MI0000FF-RAT001
1-02	ENGINE- CAP	1	45-0222	14411-Y2V0110-0000
1-03	ENGINE HOSE- FUEL SUPPLY	1	45-0223	90686-Y2V0210-0000
1-04	BOLT- ENGINE	1	45-0315	90001-0612-01

**FIG.2 FUEL TANK ASSY**



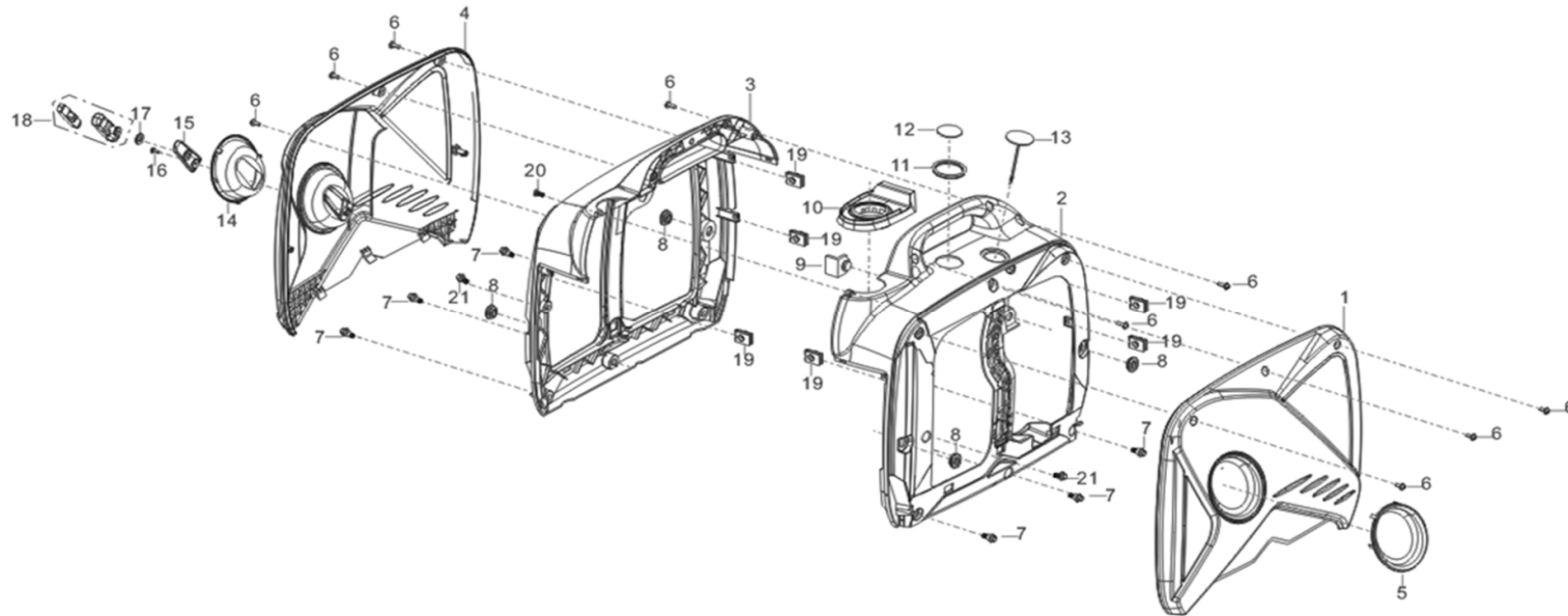
REF NO.	DESCRIPTION	QTY	MITM #	RATO #
2-01	FUEL TANK- GEN 2000 BLK	1	80-0030	16620-Y2V0220-Q200
2-02	STRAINER- FUEL	1	80-0074	16652-Y2V0110-0000
2-03	CAP- FUEL TANK	1	80-0078	16730-Y2V0510-Q200
2-04	SEAL-OIL	1	80-0083	11513-Y2V0110-0000
2-05	FUEL GAUGE	1	80-0085	37200-Y1Y0110-0000
2-06	FUEL TANK - BUSHING	2	80-0096	90683-Y2V0110-0000
2-07	HOSE-FUEL SUPPLY	1	45-0678	16514-Y2V0110-0000

**FIG.3 MUFFLER PANEL ASSY**



REF NO.	DESCRIPTION	QTY	MITM #	RATO #
3-01	MUFFLER PANEL COVER	1	80-0110	18002-Y2V0210-Q200
3-02	SCREW - MUFFLER COVER	6	45-0718	90255-0512-53
3-03	ENGINE-RUBBER ISOLATOR	1	80-0116	53202-Y2V0110-0000
3-04	CLIP - MUFFLER COVER	5	80-0117	37073-Y2V0110-0000

**FIG.4 OUTER PANEL ASSY**

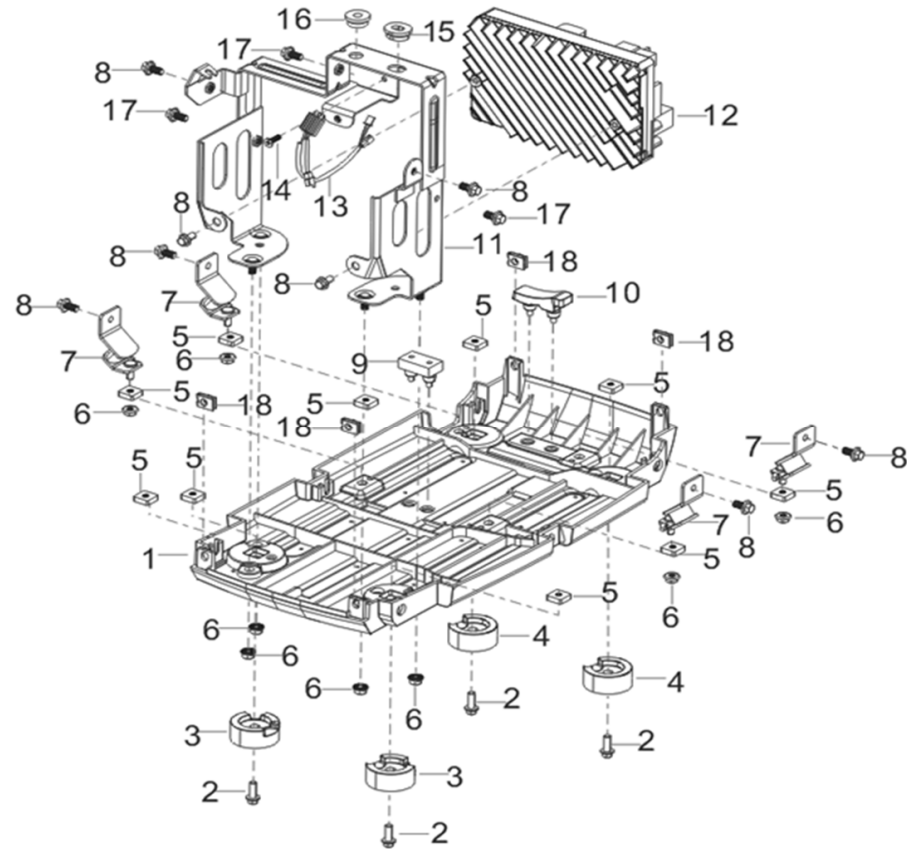


REF NO.	DESCRIPTION	QTY	MITM #	RATO #
4-01	MITM OUTDOOR-RIGHT SIDE COVER	1	80-0200	80096-Y2V0210-QK00
4-02	RIGHT SIDE HOUSING	1	80-0127	80095-Y2V0210-Q200
4-03	RECOIL SIDE HOUSING	1	80-0130	80091-Y2V0220-Q200
4-04	MITM OUTDOOR- RECOIL COVER	1	80-0201	80092-Y2V0210-QK00
4-05	RECESSED INSERT	1	80-0145	80097-Y2V0110-0000
4-06	SCREW - PANEL COVER	9	45-0719	90255-0516-53
4-07	BOLT - INNER PANEL	6	80-0146	90208-Y2V0110-0000
4-08	SPACER - RUBBER PAD	4	80-0147	16601-Y2V0210-0000
4-09	RUBBER ENGINE PAD	1	80-0152	50033-Y2V0110-0000
4-10	OIL HOLE RUBBER SLEEVE	1	80-0153	16641-Y2V0110-0000

**FIG.4 OUTER PANEL ASSY CONTINUED**

4-11	O-RING- SIGHT GLASS	1	80-0154	30431-Y2V0310-0000
4-12	OIL SIGHT GLASS	1	80-0155	37205-Y2V0210-0000
4-13	RIGHT SIDE HOUSING- RUBBER SEAL	1	80-0156	30431-Y2V0110-0000
4-14	RECOIL- RECESSED INSERT	1	80-0157	80093-Y2V0110-0000
4-15	ROPE GUIDE INSERT	1	80-0158	28004-Y2V0120-0000
4-16	SCREW- RECOIL	1	45-0718	90255-0512-53
4-17	RECOIL HANDLE RUBBER SLEEVE	1	80-0159	80155-Y2V0110-0000
4-18	RECOIL HANDLE W/STRING	1	80-0160	28210-Y2V0110-0000
4-19	U-CLIP	6	45-0720	17199-Y2V0110-0000
4-20	SCREW- RECOIL SIDE INNER PANEL	1	45-0721	90129-0416-01
4-21	BOLT- HOUSING	2	80-0060	90007-0612-A1

**FIG.5 INVERTER ASSY**



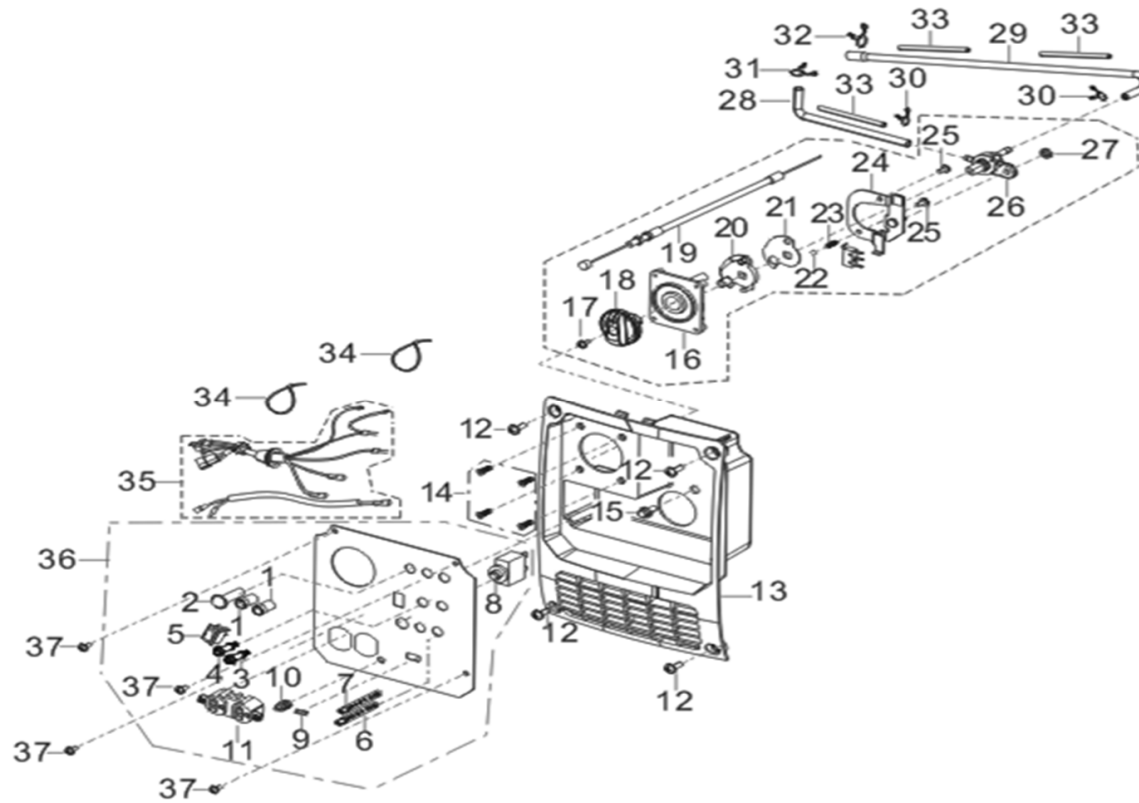
REF NO.	DESCRIPTION	QTY	MITM #	RATO #
5-01	INVERTER BOTTOM PLATE	1	80-0161	51143-Y2V0220-Q200
5-02	BOLT- ISOLATER VIBERATION ABSORBER	4	45-0531	90001-0614-01
5-03	ISOLATOR - VIBRATION ABSORBER	2	80-0162	51014-Y2V0140-0000
5-04	ISOLATOR- VIBE. ABSORBER INVERTER SIDE	2	80-0163	51014-Y2V0250-0000
5-05	NUT - ISOLATOR VIBERATION	10	45-0722	90326-Y2V0110-0000
5-06	NUT- ISOLATOR VIBERATION ABSORBER	8	45-0324	90305-0600-31
5-07	BRACKET - SUPPORT ENGINE	4	80-0164	51005-Y2V0110-0000
5-08	BOLT - SUPPORT BRACKET	8	45-0315	90001-0612-01
5-09	ISOLATOR- SUPPORT BRACKET	1	80-0165	50035-Y2V0210-0000

**FIG.5 INVERTER ASSY CONTINUED**

<b>REF NO.</b>	<b>DESCRIPTION</b>	<b>QTY</b>	<b>MITM #</b>	<b>RATO #</b>
5-10	ISOLATOR- INVERTER SUPPORT	1	80-0166	50035-Y2V0110-0000
5-11	INVERTER SUPPORT HOUSING	1	80-0167	30081-Y2V0210-H700
5-12	INVERTER	1	80-0168	30043-Y5V0220-0000
5-13	INVERTER- WIRE ASSY	1	80-0169	30060-Y2V0110-0000
5-14	BOLT- INVERTER SUPPORT HOUSING	1	45-0315	90001-0612-01
5-15	RUBBER PAD- SPACER	1	80-0147	16601-Y2V0210-0000
5-16	ISOLATOR- FUEL TANK SUPPORT	1	80-0170	16601-Y2V0110-0000
5-17	BOLT- INVERTER SIDE SUPPORT HOUSING	3	45-0315	90001-0612-01
5-18	U-CLIP	4	45-0720	17199-Y2V0110-0000



**FIG.6 PANEL CONTROL ASSY**

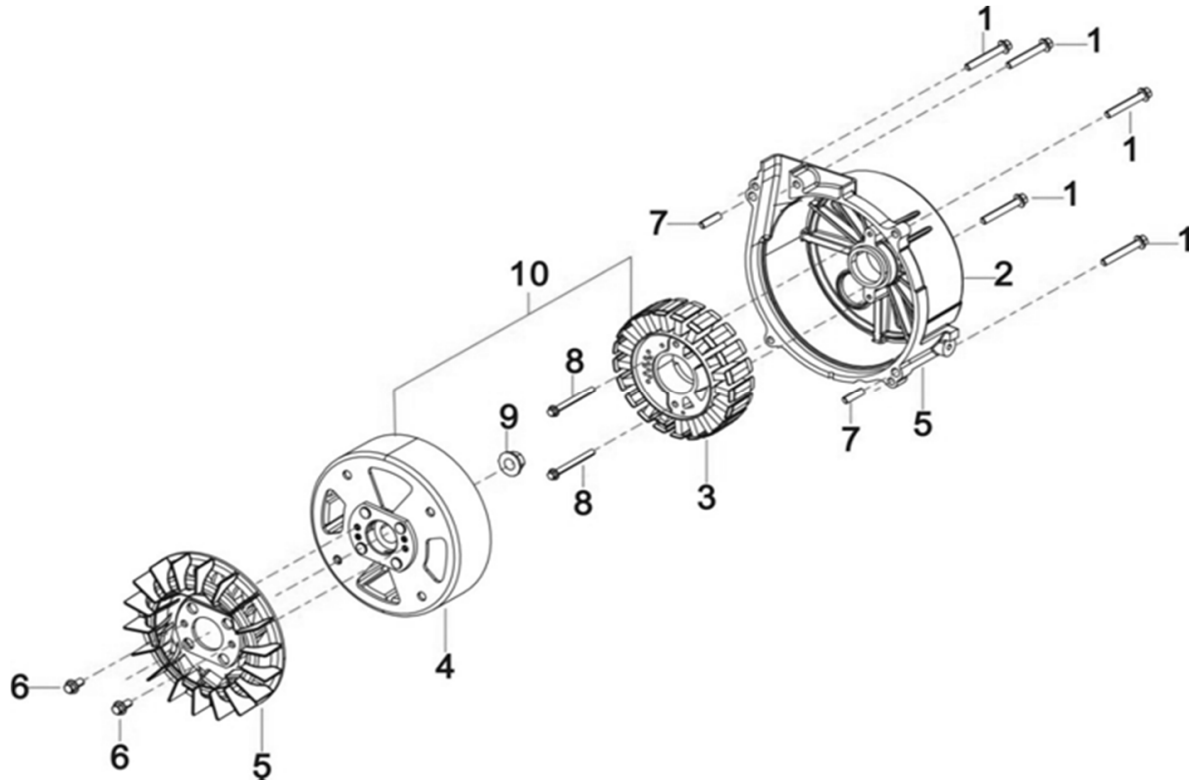


REF NO.	DESCRIPTION	QTY	MITM #	RATO #
6-01	LIGHT INDICATOR- OIL AND OVERLOAD	2	80-0171	90803-Y2V0210-0000
6-02	LIGHT INDICATOR- OUTPUT	1	80-0172	90803-Y2V0110-0000
6-03	PARALLEL RECEPTACLE- RIGHT LIGHT	2	80-0173	35614-Y2P0310-0000
6-04	PARALLEL RECEPTACLE- LEFT LIGHT	2	80-0174	35614-Y2P0210-0000
6-05	IDLE CONTROL SWITCH	1	80-0175	35540-Y2V0110-0000
6-06	TERMINAL- NEGATIVE ELECTRODE	1	80-0176	35634-Y020110-0000
6-07	TERMINAL- POSITIVE ELECTRODE	1	80-0177	35633-Y020110-0000
6-08	CIRCUIT BREAKER 20 AMP	1	80-0178	31234-Y020110-0000
6-09	DIRECT CURRENT SOCKET SUBASSY	1	80-0179	35619-Y2V0210-00LS
6-10	GROUNDING TERMINAL SUBASSY	1	80-0180	35629-Y2V0110-0000

**FIG.6 PANEL CONTROL ASSY CONTINUED**

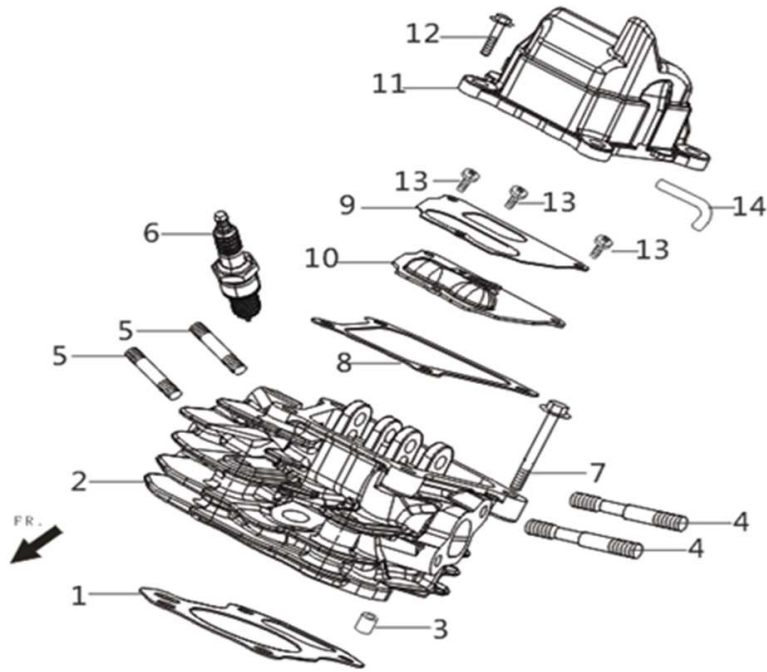
REF NO.	DESCRIPTION	QTY	MITM #	RATO #
6-11	RECEPTACLE - 120V DUPLEX	1	80-0181	35614-Y220110-0000
6-12	BOLT- CONTROL PANEL	4	45-0719	90255-0516-53
6-13	CONTROL PANEL	1	80-0182	35680-Y2V0230-Q200
6-14	SCREW- FUEL SWITCH PANEL	4	45-0721	90129-0416-01
6-15	BOLT- CONTROL PANEL	1	45-0315	90001-0612-01
6-16	CHOKE MOUNTING PANEL	1	80-0185	35021-Y2V0120-Q200
6-17	SCREW- CHOKE PANEL	1	80-0199	90103-0412-51
6-18	KNOB- CHOKE	1	80-0202	35643-Y2V0110-Q200
6-19	CHOKE HANDLE SUBASSEMBLY	1	80-0203	16080-Y2V0110-0000
6-20	CHOKE PANEL- GUIDE	1	80-0204	94111-Y2V0130-Q200
6-21	CHOKE PANEL- STOPPER	1	80-0205	16144-Y2V0110-0000
6-22	CHOKE PANEL- STEEL BALL	1	80-0206	90543-0500-00
6-23	ADJUSTING CHOKE SPRING	1	80-0207	16527-Y2V0120-0000
6-24	BRACKET- FUEL VALVE	1	80-0208	50132-Y2V0110-0000
6-25	SCREW- FUEL VALVE BRACKET	2	80-0209	90129-0416-01
6-26	FUEL VALVE ASSY	1	80-0210	16750-Y2V0130-0000
6-27	NUT- FUEL VALVE	1	80-0211	90341-Y2D0210-0000
6-28	FUEL HOSE- VALVE TO FUEL TANK	1	80-0212	90686-Y2V0410-0000
6-29	FUEL HOSE- VALVE TO CARBURETOR	1	80-0213	90686-Y2V0510-0000
6-30	HOSE COLLAR- FUEL VALVE	2	80-0214	90740-Z010210-0000
6-31	HOSE COLLAR- FUEL TANK	1	80-0215	90740-Z450110-0000
6-32	HOSE COLLAR- CARBURETOR	1	80-0216	90685-Z030510-0000
6-33	FUEL HOSE- RUBBER INSULATOR	3	80-0217	30431-Y020110-0000
6-34	CABLE TIE 4" NYLON	2	33-0472	90727-Y020110-0000
6-35	CONTROL PANEL WIRING HARNESS	1	80-0183	35660-Y2V0210-0000
6-36	CONTROL PANEL ASSY	1	80-0184	35610-Y5V1310-H300
6-37	SCREW- CONTROL PANEL	4	45-0723	90107-0416-03

**FIG.7 ROTOR/STATOR**



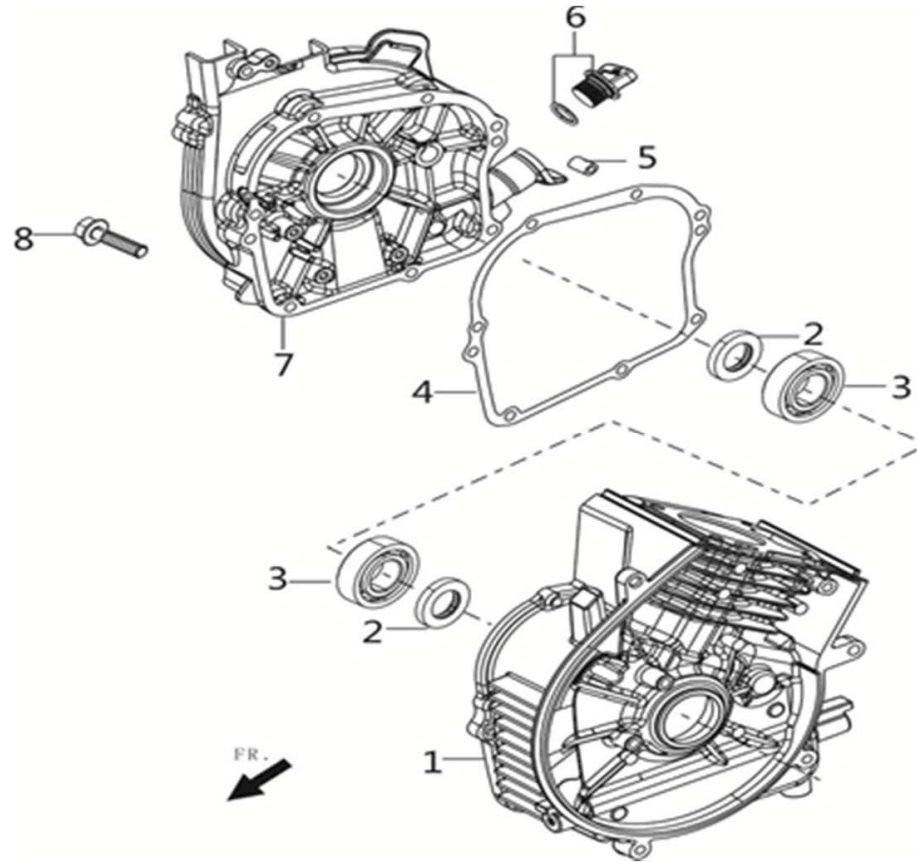
REF NO.	DESCRIPTION	QTY	MITM #	RATO #
7-01	BOLT- MOTOR SHROUD	5	45-0319	90001-0630-01
7-02	MOTOR SHROUD	1	80-0186	30024-Y2V0130-0000
7-03	STATOR	1	80-0187	30120-Y5V0210-0000
7-04	ROTOR	1	80-0188	30110-Y2V0130-0000
7-05	IMPELLER	1	80-0189	19352-Y2V0110-Q200
7-06	BOLT- IMPELLER	2	45-0533	90001-0610-01
7-07	PIN- MOTOR SHROUD	2	80-0190	90502-0814-00
7-08	BOLT- STATOR	2	80-0191	90001-0535-01
7-09	NUT- ROTOR	1	80-0192	90306-1200-31
7-10	MOTOR ASSY	1	80-0193	30100-Y5V0210-0000

**FIG.8 CYLINDER HEAD SUBASSEMBLY**



REF NO.	DESCRIPTION	QTY	MITM #	RATO #
8-01	GASKET- CYLINDER HEAD	1	45-0724	12131-Z800110-0000
8-02	CYLINDER HEAD SUBASSY	1	45-0725	12140-Z800110-0000
8-03	PIN- CYLINDER HEAD	2	45-0570	90502-0812-00
8-04	STUD- CARBURETOR	2	45-0726	90204-Z800110-0000
8-05	STUD- EXHAUST	2	45-0727	90204-Z800210-0000
8-06	SPARK PLUG	1	45-0728	30010-Z350210-0000
8-07	BOLT- CYLINDER HEAD	4	45-0729	12003-Z800110-0000
8-08	GASKET- CYLINDER HEAD COVER	1	45-0730	12004-Z800120-0000
8-09	PLATE- BREATHER GROOVE COVER	1	45-0731	11320-Z800110-0000
8-10	GASKET- BREATH GROOVE	1	45-0732	11332-Z800110-0000
8-11	CYLINDER HEAD COVER SUBASSY	1	45-0733	12410-Z800110-0000
8-12	BOLT- CYLINDER HEAD COVER	4	45-0734	90007-0616-A1
8-13	SCREW- PLATE BREATHER GROOVE	3	45-0735	90103-0308-51
8-14	TUBE- BREATHER	1	45-0736	17004-Z800110-0000

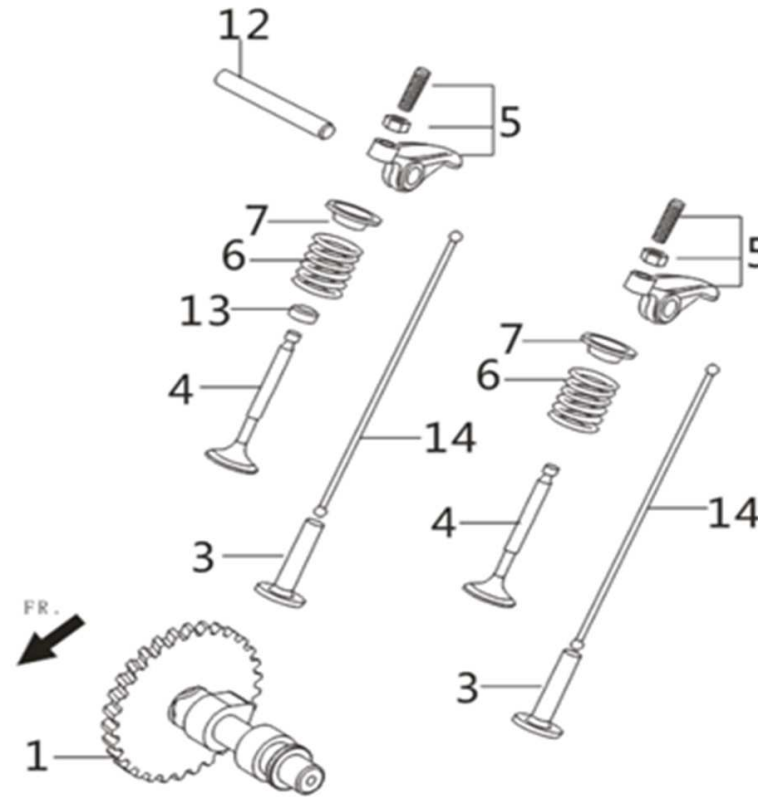
**FIG.9 CRANKCASE COVER SUBASSEMBLY**



REF NO.	DESCRIPTION	QTY	MITM #	RATO #
9-01	CRANKCASE SUBASSY	1	45-0737	11310-Z800110-0000
9-02	SEAL- OIL	2	45-0738	90682-Z800110-0000
9-03	BEARING- GOV GEAR	2	45-0739	90547-0204-CL
9-04	GASKET- CRANKCASE	1	45-0740	11001-Z800110-0000
9-05	PIN- CRANKCASE COVER	2	45-0570	90502-0812-00
9-06	OIL DIPSTICK SUBASSY	1	45-0594	15030-Z010120-Q500
9-07	COVER- CRANKCASE	1	45-0741	11411-Z800110-0000
9-08	BOLT- CRANKCASE COVER	7	45-0742	90007-0620-A1

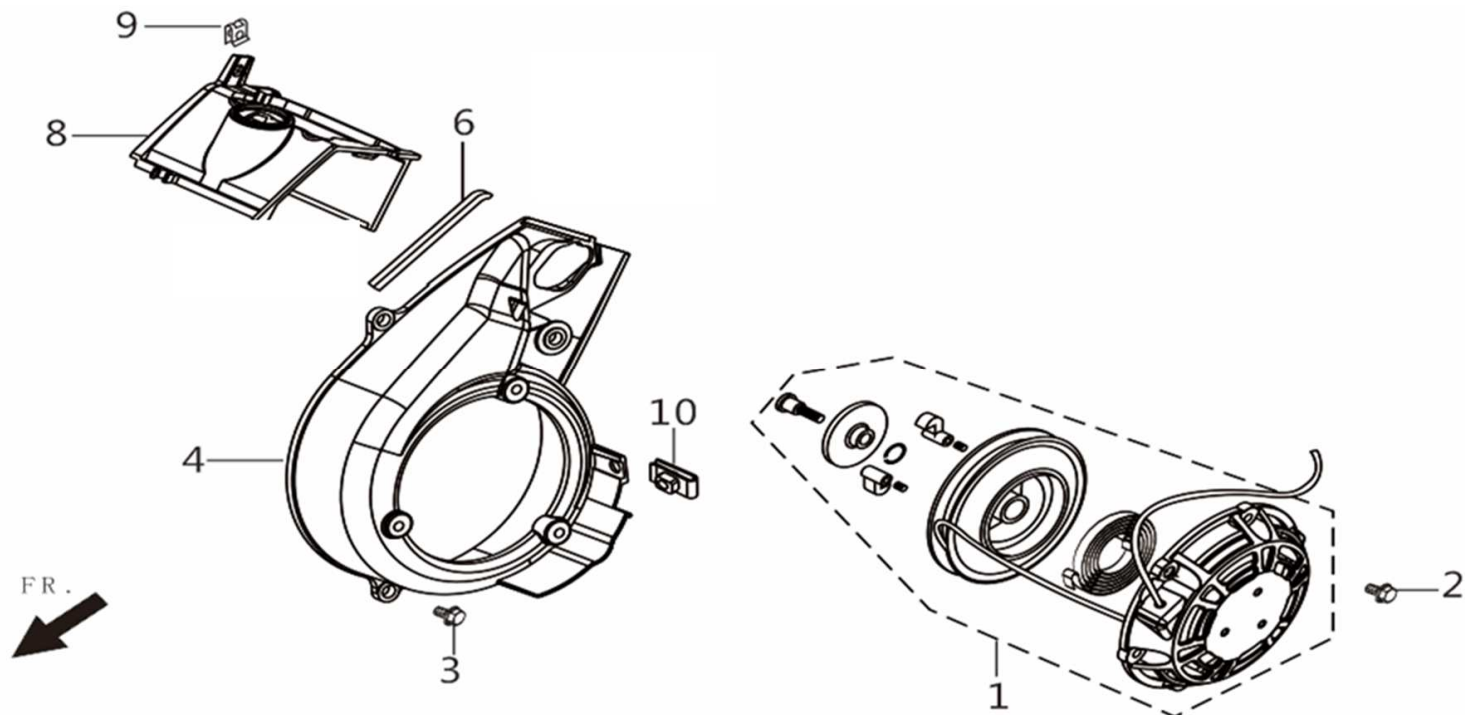


**FIG.11 VALVE TRAIN/CAMSHAFT SUBASSEMBLY**



REF NO.	DESCRIPTION	QTY	MITM #	RATO #
11-01	CAMSHAFT ASSY	1	45-0749	14200-Z800110-0000
11-03	VALVE- TAPPET	2	45-0750	14081-Z800110-0000
11-04	VALVE SET EXHAUST/INTAKE	1	45-0751	12110-Z800110-0000
11-05	VALVE ROCKER SUBASSY	2	45-0752	14310-Z800110-0000
11-06	VALVE- SPRING	2	45-0753	12103-Z800110-0000
11-07	RETAINER- VALVE SPRING	2	45-0754	12112-Z800110-0000
11-12	SHAFT- VALVE ROCKER	1	45-0755	14330-Z800110-0000
11-13	GUIDE- SEAL	1	45-0756	12101-Z800110-0000
11-14	VALVE- LIFTER	2	45-0757	14070-Z800110-0000

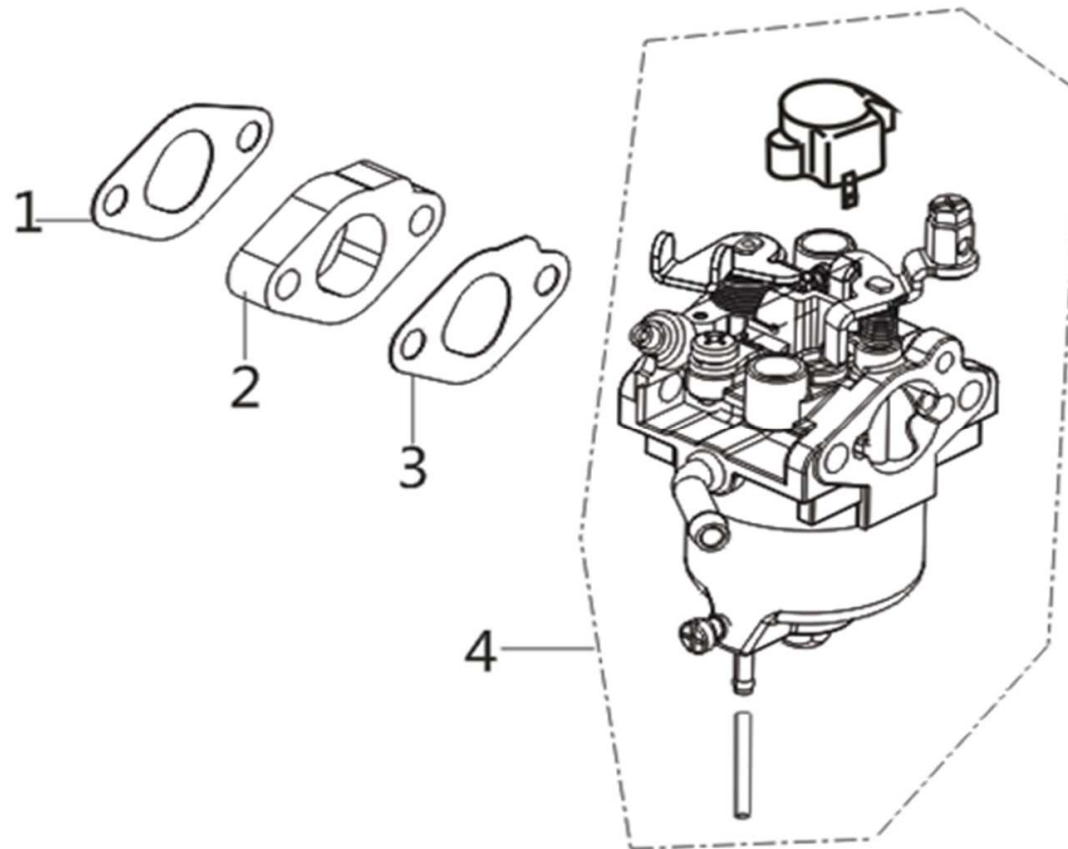
**FIG.12 RECOIL STARTER**



REF NO.	DESCRIPTION	QTY	MITM #	RATO #
12-01	RECOIL STARTER ASSY	1	45-0758	28200-Z800110-Q200
12-02	BOLT- RECOIL ASSY	3	45-0315	90001-0612-01
12-03	BOLT- RECOIL SHROUD	3	45-0734	90007-0616-A1
12-04	RECOIL SHROUD	1	45-0759	28110-Z800110-Q200
12-06	SHROUD- SEAL STRIP	1	45-0760	19081-Z800110-0000
12-08	RECOIL SHROUD PLATE	1	45-0761	12014-Z800110-0000
12-09	RECOIL SHROUD U-CLIP	1	45-0762	90804-Z800110-0000
12-10	U-CLIP	1	45-0720	17199-Y2V0110-0000

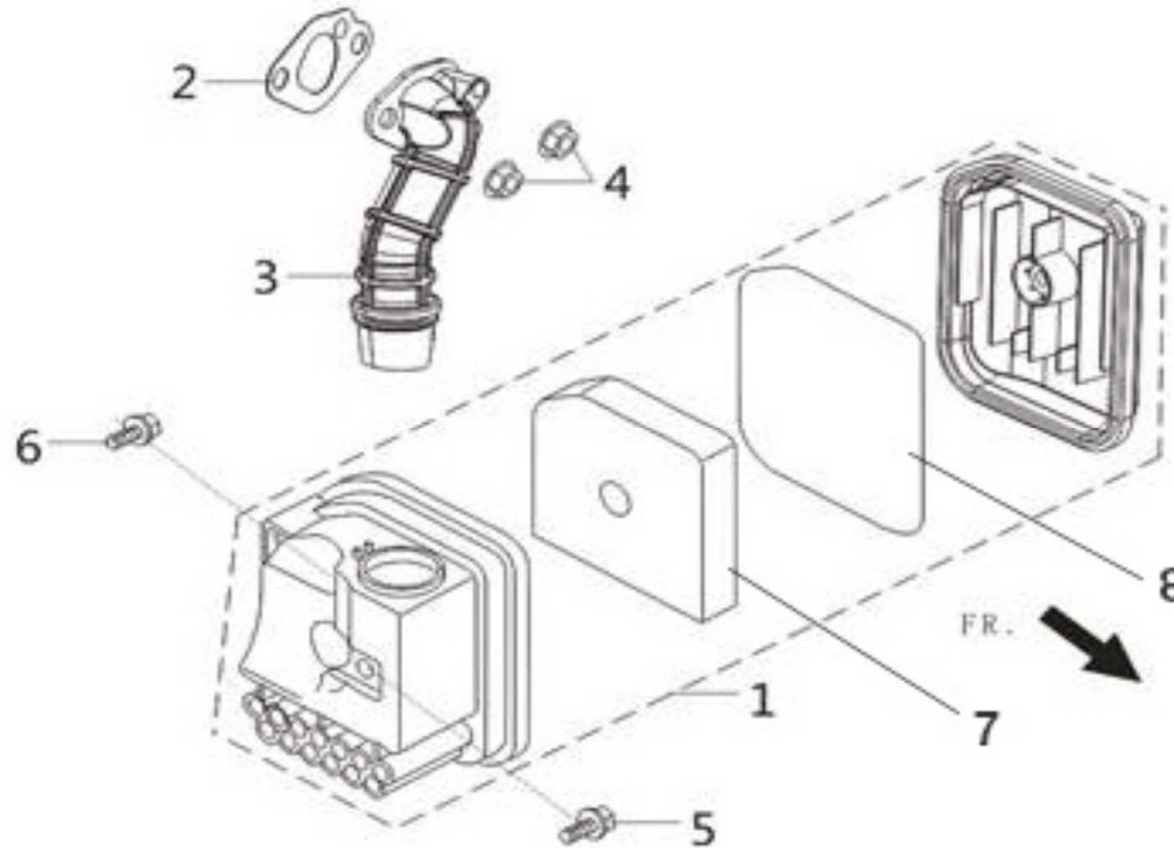


**FIG.13 CARBURETOR ASSEMBLY**



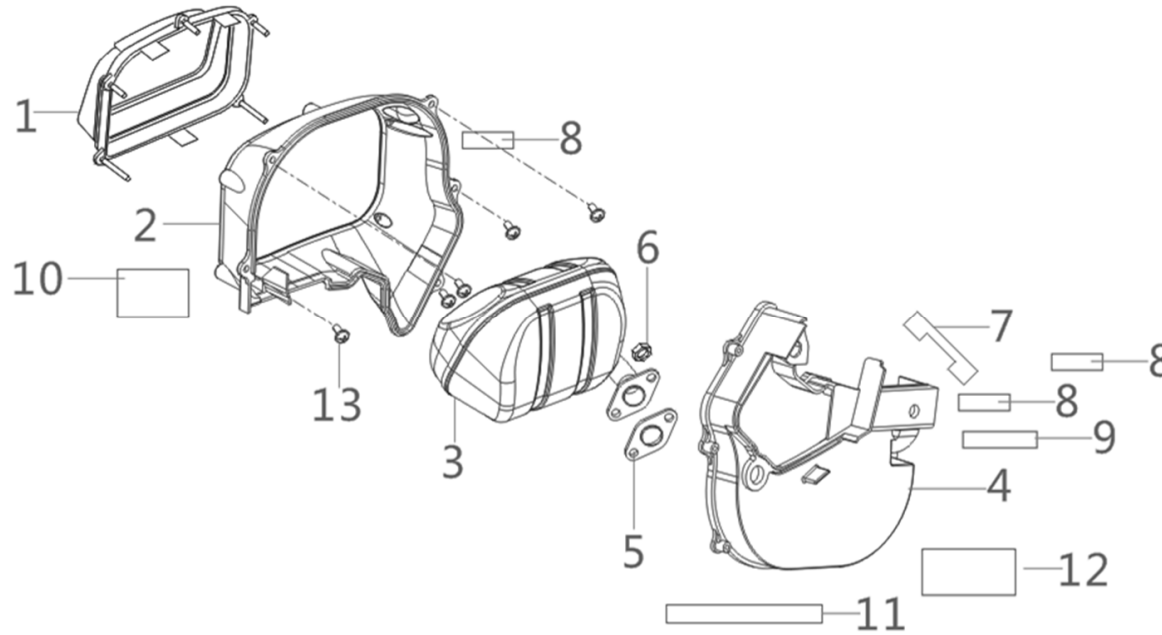
REF NO.	DESCRIPTION	QTY	MITM #	RATO #
13-01	GASKET- INSULATOR PLATE	1	45-0763	16001-Z800110-0000
13-02	PLATE- CARBURETOR INSULATOR	1	45-0764	16003-Z800110-0000
13-03	GASKET- CARBURETOR	1	45-0765	16002-Z800110-0000
13-04	CARBURETOR ASSY	1	45-0766	16100-Z800110-0000

**FIG.14 AIR CLEANER**



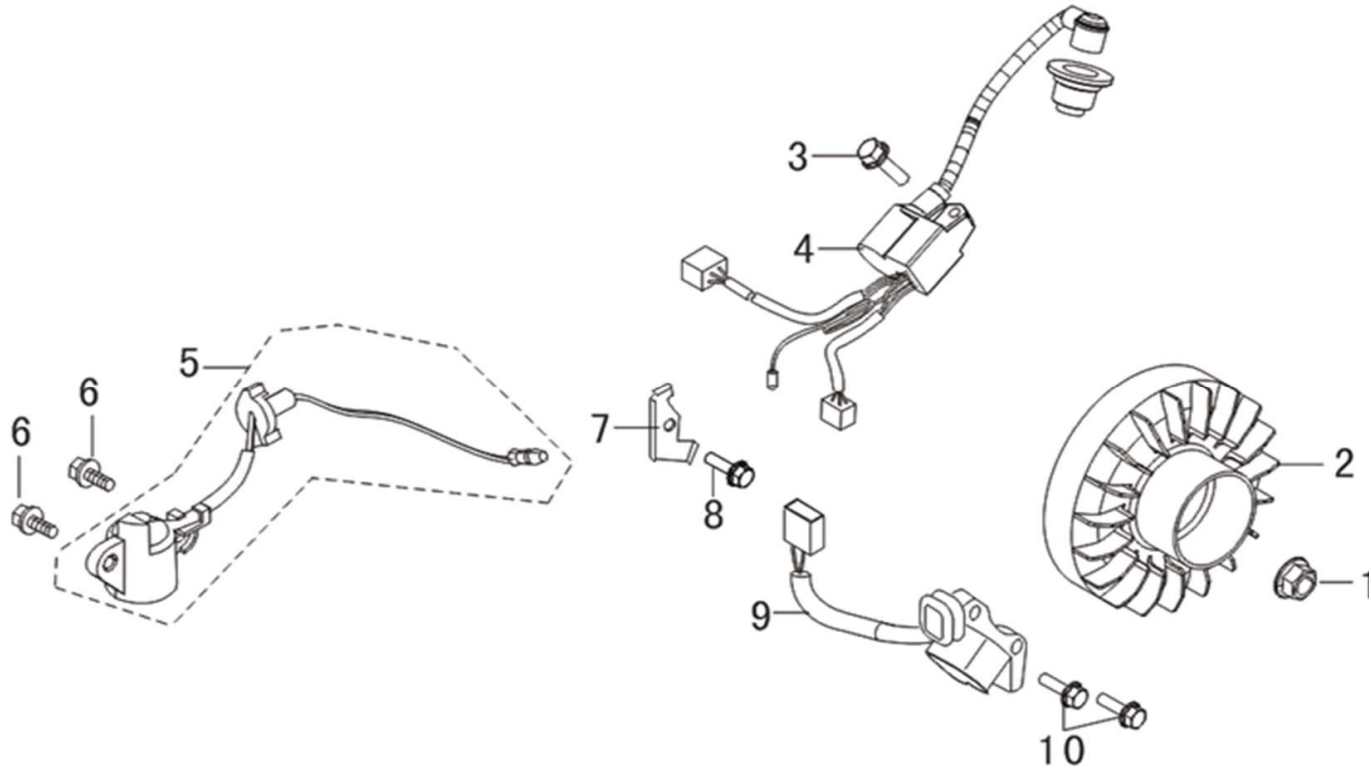
REF NO.	DESCRIPTION	QTY	MITM #	RATO #
14-01	AIR CLEANER ASSY	1	45-0767	17100-Z800110-0000
14-02	GASKET- AIR CLEANER DUCT	1	45-0768	17001-Z800110-0000
14-03	AIR CLEANER INTAKE DUCT	1	45-0769	17110-Z800110-0000
14-04	NUT- AIR CLEANER DUCT	2	45-0324	90305-0600-31
14-05	BOLT- AIR CLEANER COVER	1	27-8908	
14-06	BOLT- AIR CLEANER MOUNT	1	45-0742	90007-0620-A1
14-07	AIR CLEANER FILTER	1	45-0779	17151-Z800100-0000
14-08	AIR CLEANER GASKET	1	45-0780	90681-Z800110-0000

**FIG.15 MUFFLER ASSEMBLY**



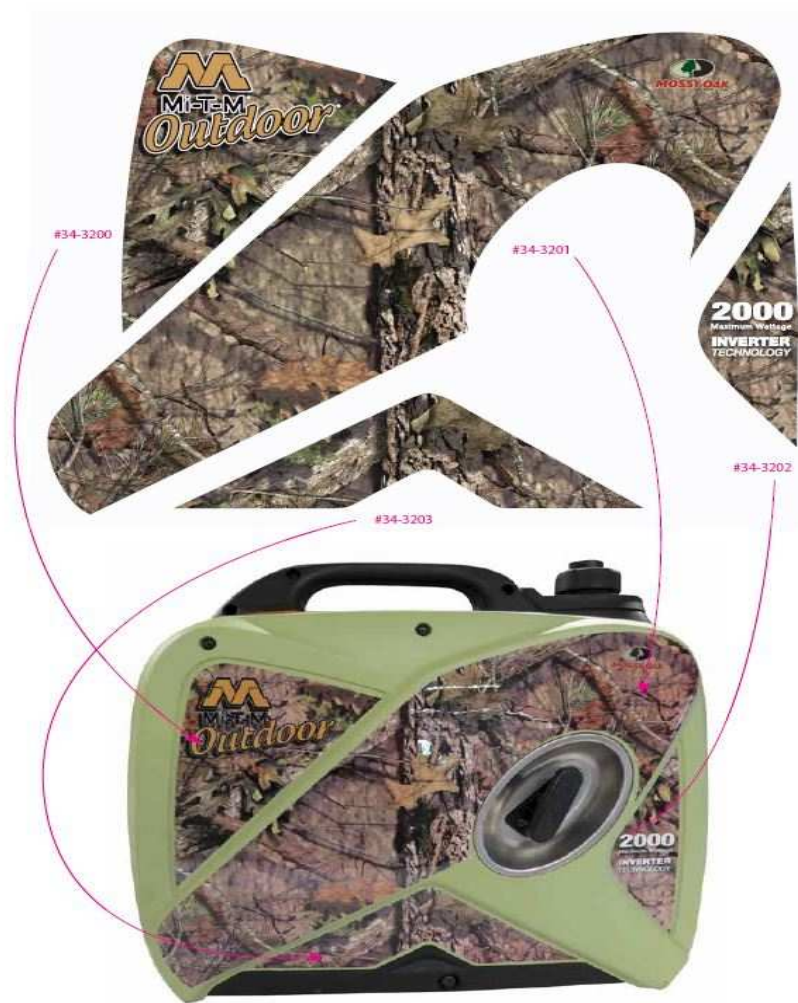
REF NO.	DESCRIPTION	QTY	MITM #	RATO #
15-01	MUFFLER COVER	1	80-0194	18002-Z800110-0000
15-02	MUFFLER SHROUD	1	80-0195	18109-Z800110-0000
15-03	MUFFLER ASSY	1	80-0196	18100-Z800210-0000
15-04	MUFFLER SHIELD	1	80-0197	18013HZ800110-0000
15-05	GASKET- EXHAUST OUTLET	1	80-0198	18001-Z800110-0000
15-06	NUT- EXHAUST OUTLET	2	45-0771	90303-0600-31
15-07	ADHESIVE HEAT DEFLECTING FOIL 1	1	80-0218	18019-Z800120-0000
15-08	ADHESIVE HEAT DEFLECTING FOIL 2	3	80-0219	18019-Z800230-0000
15-09	ADHESIVE HEAT DEFLECTING FOIL 3	1	80-0220	18019-Z800330-0000
15-10	ADHESIVE HEAT DEFLECTING FOIL 4	1	80-0221	90739-Z800320-0000
15-11	ADHESIVE HEAT DEFLECTING FOIL 5	1	80-0222	90739-Z800220-0000
15-12	ADHESIVE HEAT DEFLECTING FOIL 6	1	80-0223	90739-Z800120-0000
15-13	SCREW- MUFFLER SHROUD	5	45-0772	90107-4816-01

**FIG.16 FLYWHEEL / IMPELLER / STARTER PULLEY / IGNITION COIL**



REF NO.	DESCRIPTION	QTY	MITM #	RATO #
16-01	NUT- FLYWHEEL	1	45-0773	13501-Z510110-0000
16-02	PULLEY- STARTER	1	45-0774	13510-Z800110-0000
16-03	BOLT- IGNITION COIL	1	45-0742	90007-0620-A1
16-04	IGNITOR	1	45-0775	30700-Z800110-0000
16-05	SENSOR- ENGINE OIL	1	45-0776	37060-Z800110-0000
16-06	BOLT- SENSOR ENGINE OIL	2	80-0060	90007-0612-A1
16-07	CLAMP- IGNITION COIL	1	45-0777	54066-Z800110-0000
16-08	BOLT- IGNITION CLAMP	1	80-0060	90007-0612-A1
16-09	IGNITION COIL	1	45-0778	30400-Z800110-0000
16-10	BOLT- IGNITION COIL	2	45-0742	90007-0620-A1

**FIG.17 DECAL PLACEMENT RECOIL SIDE**



REF NO.	DESCRIPTION	QTY	MITM #	RATO #
-	DECAL-MOSSY OAK INVTR-1 RECOIL	1	34-3200	88013-Y5V0810-0000
-	DECAL-MOSSY OAK INVTR-2 RECOIL	1	34-3201	88013-Y5V0910-0000
-	DECAL-MOSSY OAK INVTR-3 RECOIL	1	34-3202	88017-Y5V0810-0000
-	DECAL-MOSSY OAK INVTR-4 RECOIL	1	34-3203	88013-Y5V1010-0000

**FIG.18 DECAL PLACEMENT RIGHT SIDE**



REF NO.	DESCRIPTION	QTY	MITM #	RATO #
-	DECAL-MOSSY OAK INVERTER-1	1	34-3204	88013-Y5V1110-0000
-	DECAL-MOSSY OAK INVERTER-2	1	34-3205	88013-Y5V1210-0000
-	DECAL-MOSSY OAK INVERTER-3	1	34-3206	88017-Y5V0910-0000
-	DECAL-MOSSY OAK INVERTER-4	1	34-3207	88013-Y5V1310-0000



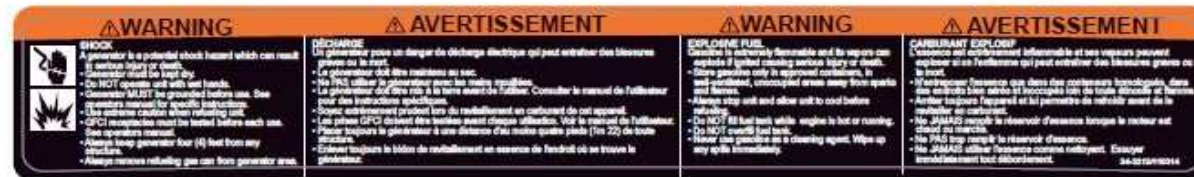
**FIG.19 DECAL PLACEMENT TOP SIDE**

USE BPR4ES (NGK) SPARK PLUG ONLY.  
RECOURRIR EXCLUSIVEMENT A LA BOUCIE DU  
TYPE BPR4ES (NGK).

34-3216



34-3213



REF NO.	DESCRIPTION	QTY	MITM #	RATO #
-	DECAL-WARNING SHOCK/EXP E-F	1	34-3213	88007-Y5V0110-0000
-	DECAL-SPARK PLUG E-F	1	34-3216	88054-Y5V0210-0000

## FIG.20 DECAL PLACEMENT BACK SIDE



34-3214



34-3215



Emission Control Decal and CSA Decal



REF NO.	DESCRIPTION	QTY	MITM #	RATO #
-	DECAL-DANGER CARBON - 1	1	34-3214	88001-Y5V0510-0000
-	DECAL-DANGER CARBON - 2	1	34-3215	88001-Y5V0610-0000