



PARTS LIST FOR
MH-0125-0MIH
MH-0300-0MIH

This Parts Listing has been compiled for your benefit. You can be assured your Mi-T-M Portable Heater was constructed and designed with quality and performance in mind. Each component has been rigorously tested to insure the highest level of acceptance.

The contents of this Parts Listing are based on the latest product information available at the time of publication. Mi-T-M reserves the right to make changes in price, color, materials, equipment, specifications or models at any time without notice.

WARNING

THIS IS A PROFESSIONAL PORTABLE HEATER. CAUTION SHOULD BE OBSERVED WHEN USING OR REPAIRING THIS UNIT! READ AND FOLLOW THE SAFETY WARNINGS LISTED BELOW BEFORE ATTEMPTING ANY REPAIRS ON THIS PORTABLE HEATER!

SAFETY WARNINGS

1. NEVER alter or modify the equipment. Use only genuine Mi-T-M parts for repair of your portable heater. Failure to do so can cause hazardous operating conditions and will VOID warranty.
2. Be thoroughly familiar with controls.
3. Before servicing the unit, turn unit off, and allow the unit to cool down. Do not make repairs while the unit is running. Service in a clean, dry, flat area. Block the wheels to prevent the unit from moving. Be especially careful to properly dispose of any flammable materials.

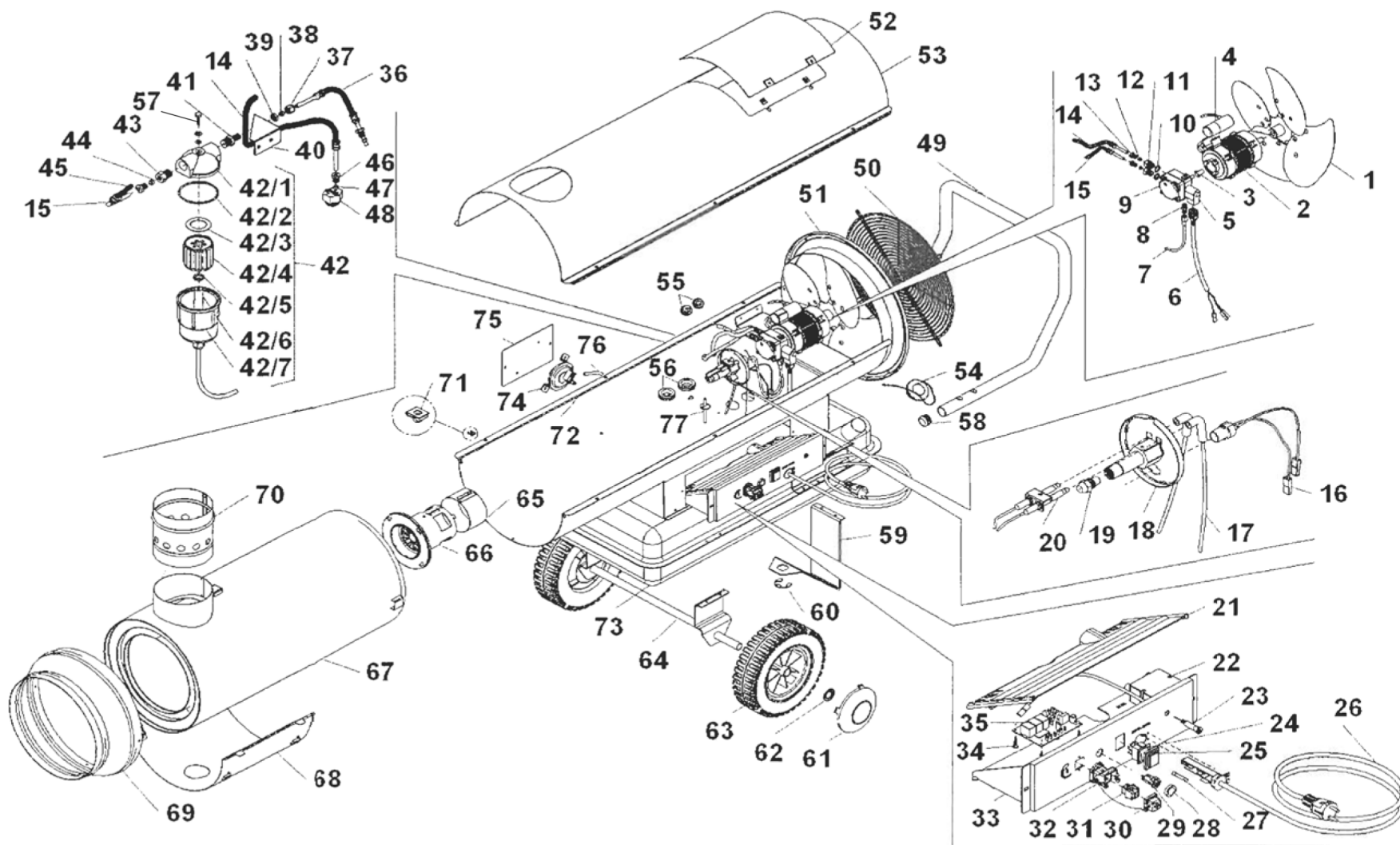
Table of Contents

SPECIFICATIONS.....3
FRAME ASSEMBLY4

SPECIFICATIONS

MODEL NUMBER	MH-0125-0MIH	MH-0300-0MIH
Output Rating (BTU/Hr):	125,200	288,700
Tank Capacity (gal)	14.0	36.0
Consumption (gal. per Hr)	.88	2.04
Fuel Pressure (PSI):	175	175
Electric Requirements:	115V / 60HZ	
Amperage (normal run)	7.0	12.5
Net Weight (Lbs):	154	282
Size (L x W x H)	47" x 24" x 31"	68" x 29.5" x 40.4"

FRAME ASSEMBLY



MH-0125_0300-0MIH 021014 RSW

FRAME ASSEMBLY											
ITEM NO.	ITEM DESCRIPTION	PART NO.	QTY.	ITEM NO.	ITEM DESCRIPTION	PART NO.	QTY.	ITEM NO.	ITEM DESCRIPTION	PART NO.	QTY.
1	FAN (125K)	68-4052	1	28	CAP (125K, 300K)	N/A	1	52	INSPECTION COVER (125K)	68-4083	1
-	FAN (300K)	68-4098	1	29	RESET PUSHBUTTON (125K, 300K)	68-4072	1	-	INSPECTION COVER (300K)	68-4117	1
2	MOTOR (125K)	68-4053	1	30	SOCKET CAP (125K, 300K)	68-4073	1	53	UPPER SHELL (125K)	68-4084	1
-	MOTOR (300K)	68-4099	1	31	THERMOSTAT SOCKET (125K, 300K)	68-4127	1	-	UPPER SHELL (300K)	68-4118	1
3	JOINT (125K)	68-4054	1	32	THERMOSTAT SOCKET CASE (125K, 300K)	68-4075	1	54	FUEL TANK CAP (125K, 300K)	68-4119	1
-	JOINT (300K)	68-4100	1	33	CONTROL PANEL (125K, 300K)	68-4109	1	55	GASKET (125K, 300K)	N/A	1
4	CAPACITOR (125K)	68-4055	1	34	SPACER (125K, 300K)	N/A	1	56	GASKET (125K, 300K)	N/A	1
-	CAPACITOR (300K)	68-4101	1	35	BURNER CONTROL (125K, 300K)	68-4110	1	57	SCREW (125K, 300K)	N/A	1
5	COIL (125K, 300K)	68-4102	1	36	SUCTION HOSE (125K)	68-4076	1	58	HANDLE CAP (125K, 300K)	N/A	1
6	CONNECTOR & CABLE (125K, 300K)	68-4057	1	-	SUCTION HOSE (300K)	68-4111	1	59	TANK SUPPORT (125K, 300K)	N/A	1
7	MICROHOSE (125K, 300K)	68-4058	1	37	FITTING (125K, 300K)	N/A	1	60	SPRING (125K, 300K)	N/A	1
8	FITTING (125K, 300K)	N/A	1	38	OGIVE (125K, 300K)	N/A	1	61	WHEEL CAP (125K, 300K)	68-4087	1
9	PUMP (125K)	68-4059	1	39	NUT (125K, 300K)	N/A	1	62	SEEGER RING (125K, 300K)	68-4088	1
-	PUMP (300K)	68-4103	1	40	FILTER BRACKET (125K, 300K)	N/A	1	63	WHEEL (125K, 300K)	68-4089	1
10	WASHER (125K, 300K)	N/A	1	41	FITTING (125K, 300K)	N/A	1	64	AXLE (125K)	68-4090	1
11	FITTING (125K, 300K)	N/A	1	42	OIL FILTER (125K, 300K)	68-4112	1	-	AXLE (300K)	68-4120	1
12	OGIVE (125K, 300K)	N/A	1	42.1	COVER (125K, 300K)	N/A	1	65	AIR LOCK (125K, 300K)	N/A	1
13	FITTING (125K, 300K)	N/A	1	42.2	O-RING & GASKET (125K, 300K)	68-4078	1	66	CHAMBER INLET (125K, 300K)	N/A	1
14	BACKFLOW HOSE (125K)	68-4060	1	42.3	O-RING & GASKET (125K, 300K)	68-4078	1	67	COMBUSTION CHAMBER (125K)	68-4091	1
-	BACKFLOW HOSE (300K)	68-4104	1	42.4	OIL FILTER CARTRIDGE (125K,300K)	68-4113	1	-	COMBUSTION CHAMBER (300K)	68-4121	1
15	INFLOW HOSE (125K, 300K)	68-4061	1	42.5	O-RING (125K, 300K)	N/A	1	68	COMBUSTION CHAMBER SHIELD (125K)	68-4092	1
16	FLAME SENSOR (125K, 300K)	68-4062	1	42.6	HEATING ELEMENT (125K, 300K)	N/A	1	-	COMBUSTION CHAMBER SHIELD (300K)	68-4122	1
17	HT CABLE (125K, 300K)	68-4063	1	42.7	FILTER GLASS (125K, 300K)	N/A	1	69	AIR OUTLET (125K)	68-4093	1
18	BURNER HEAD (125K, 300K)	68-4064	1	43	FITTING (125K, 300K)	N/A	1	-	AIR OUTLET (300K)	68-4123	1
19	NOZZLE (125K)	68-4065	1	44	OGIVE (125K, 300K)	N/A	1	70	FLUE COLLAR (125K, 300K)	68-4025	1
-	NOZZLE (300K)	68-4105	1	45	FITTING (125K, 300K)	N/A	1	71	CLIP (125K, 300K)	N/A	1
20	IGNITION ELECTRODE (125K, 300K)	68-4066	1	46	FITTING (125K, 300K)	68-4128	1	72	LOWER SHELL (125K)	68-4095	1
21	CONTROL PANEL COVER (125K, 300K)	68-4106	1	47	OGIVE (125K, 300K)	68-4129	1	-	LOWER SHELL (300K)	68-4124	1
22	TRANSFORMER (125K, 300K)	68-4024	1	48	SUCTION FITTING (125K, 300K)	N/A	1	73	FUEL TANK (125K)	68-4096	1
23	POWER SUPPLY LAMP (125K, 300K)	68-4069	1	49	HANDLE (125K)	68-4080	1	-	FUEL TANK (300K)	68-4125	1
24	ON-OFF SWITCH (125K, 300K)	N/A	1	-	HANDLE (300K)	68-4114	1	74	PRESSURE SWITCH (125K, 300K)	68-4126	1
25	ON-OFF SWITCH COVER (125K, 300K)	N/A	1	50	REAR GUARD (125K)	68-4081	1	75	PLATE (125K, 300K)	N/A	1
26	POWER CORD (125K, 300K)	68-4107	1	-	REAR GUARD (300K)	68-4115	1	76	AIR HOSE (125K, 300K)	N/A	1
27	FUSE (125K)	68-4071	1	51	AIR INLET (125K)	68-4082	1	77	HOSE FITTING (125K, 300K)	N/A	1
-	FUSE (300K)	68-4108	1	-	AIR INLET (300K)	68-4116	1				

Manufactured by Mi-T-M
8650 Enterprise Drive, Peosta IA 52068
563-556-7484/ Fax 563-556-1235