



Propane
Patio Heaters
OPERATOR'S MANUAL
MH-0040-PM10



CAUTION

**RISK OF INJURY! READ ENTIRE MANUAL BEFORE OPERATING!
THIS MANUAL IS AN IMPORTANT PART OF THE HEATER
AND MUST REMAIN WITH THIS UNIT!**



247218

TABLE OF CONTENTS

INTRODUCTION.....	3
IMPORTANT SAFETY INSTRUCTIONS.....	4
PATIO HEATER FEATURES	7
FEATURES.....	7
HEATER SPECIFICATIONS.....	7
GENERAL SAFETY INFORMATION	8
IMPORTANT SAFETY INFORMATION.....	8
ASSEMBLY.....	9
ASSEMBLING THE HEATER (PM10 BEFORE SERIAL #5450 1014 00001)	9
ASSEMBLING THE HEATER (PM10 AFTER SERIAL #5450 1014 00001)	10-11
OPERATION.....	12
LIGHTING INSTRUCTIONS.....	12
AFTER FIRST LIGHTING	12
WHEN HEATER IS ON.....	12
RELIGHTING	13
SHUT DOWN INSTRUCTIONS.....	13
MAINTENANCE.....	14
STORAGE.....	14
BETWEEN USES	14
DURING EXTENDED PERIODS OR WHEN TRANSPORTING	14
TROUBLESHOOTING	15
STATEMENT OF WARRANTY.....	16

WARNING
NEVER LEAVE HEATER UNATTENDED WHILE BURNING OR
WHILE CONNECTED TO A POWER SOURCE.

⚠WARNING

Warning: This product contains lead, a chemical known to the State of California to cause birth defects or other reproductive harm.

Wash your hands after handling this product.

⚠WARNING

This product contains one or more chemicals known to the State of California to cause cancer and birth defects or other reproductive harm.

INTRODUCTION

Congratulations on the purchase of your new Mi-T-M® Patio Heater! You can be assured your Mi-T-M® Heater was constructed with the highest level of precision and accuracy. Each component has been rigorously tested by technicians to ensure the quality, endurance and performance of this heater.

This operator's manual was compiled for your benefit. By reading and following the simple safety, installation and operation, maintenance and troubleshooting steps described in this manual, you will receive years of trouble free operation from your new Patio Heater. The contents of this manual are based on the latest product information available at the time of publication. The Manufacturer reserves the right to make changes in price, color, materials equipment, specifications or models at any time without notice.



IMPORTANT!

A "DANGER, WARNING or CAUTION" safety warning will be surrounded by a "SAFETY ALERT BOX". This box is used to designate and emphasize Safety Warnings that must be followed when operating this heater. Accompanying the safety warnings are "Signal Words" which designate the degree or level of hazard seriousness. The "Signal Words" used in this manual are as follows:

DANGER: INDICATES AN IMMINENTLY HAZARDOUS SITUATION WHICH, IF NOT AVOIDED, WILL RESULT IN DEATH OR SERIOUS INJURY.

WARNING: INDICATES A POTENTIALLY HAZARDOUS SITUATION WHICH, IF NOT AVOIDED, COULD RESULT IN DEATH OR SERIOUS INJURY.

CAUTION: INDICATES A POTENTIALLY HAZARDOUS SITUATION WHICH, IF NOT AVOIDED MAY RESULT IN MINOR OR MODERATE INJURY OR DAMAGE TO THE HEATER.

The symbols set below are "Safety Alert Symbols". These symbols are used to call attention to items or procedures that could be dangerous to you or other persons using this equipment.



ALWAYS PROVIDE A COPY OF THIS MANUAL TO ANYONE USING THIS EQUIPMENT. READ ALL INSTRUCTIONS IN THIS MANUAL AND ANY INSTRUCTIONS SUPPLIED BY MANUFACTURERS OF SUPPORTING EQUIPMENT BEFORE OPERATING THE HEATER AND ESPECIALLY POINT OUT THE "SAFETY WARNINGS" TO PREVENT THE POSSIBILITY OF PERSONAL INJURY TO THE OPERATOR.

Once the unit has been uncrated, immediately write in the serial number of your unit in the space provided below.

SERIAL NUMBER _____

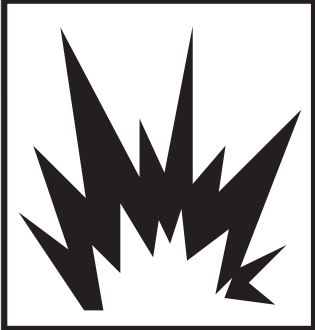


Inspect for signs of obvious or concealed freight damage. If damage does exist, file a claim with the transportation company immediately. Be sure that all damaged parts are replaced and that the mechanical and electrical problems are corrected prior to operation of the unit. If you require service, contact Mi-T-M® Customer Service.

Mi-T-M® Corporation, 8650 Enterprise Drive, Peosta, IA 52068
563-556-7484 / 800-553-9053 / Fax 563-556-1235
Monday - Friday 8:00 a.m. - 5:00 p.m. CST

Please have the following information available for all service calls:

1. Model Number
2. Serial Number
3. Date and Place of Purchase

IMPORTANT SAFETY INSTRUCTIONS

Hazard	Potential Consequence	Prevention
<p>RISK OF EXPLOSION OR FIRE</p>  	<p>Serious injury may occur if the heater air inlet or outlet is blocked.</p> <p>Serious injury or death may occur, if heater is running while operating.</p> <p>Serious injury may occur if heater is not placed on level surface.</p> <p>Serious injury or death may occur if a flame is used to test for leaks.</p>	<p>Always operate heater in a well ventilated area free of flammable vapors, combustible dust, gases or other combustible materials.</p> <p>Do not insert or allow any foreign objects to enter any ventilation or exhaust opening as this may cause a fire, or damage to the heater.</p> <p>This heater is EXTREMELY HOT while in operation.</p> <p>Bulk fuel storage should be a minimum of 25 ft. from heaters, torches, portable generators, or other sources of ignition. All fuel storage should be in accordance with federal, state, or local authorities having jurisdiction.</p> <p>Never move or handle heater while still hot.</p> <p>Always locate heater on a stable level surface.</p> <p>Always keep away from children and animals.</p> <p>Do Not use a flame to test for leaks. Follow Checking for Leaks on page 9.</p>
<p>RISK OF BURNS</p> 	<p>Serious injury could occur from touching exposed metal parts. These areas can remain hot for some time after the heater is turned off.</p>	<p>Never allow any part of your body or other materials to make contact with any exposed metal parts on the heater.</p>



WARNING: NEVER LEAVE HEATER UNATTENDED WHILE BURNING OR WHILE CONNECTED TO A POWER SOURCE.


IMPORTANT SAFETY INSTRUCTIONS

 NEVER USE THE HEATER IN LOCATIONS WHICH CONTAIN PRODUCTS SUCH AS GASOLINE, SOLVENTS, PAINT THINNERS, DUST PARTICLES, VOLATILE OR AIRBORNE COMBUSTIBLES, OR ANY UNKNOWN CHEMICALS.

 WARNING: IF THE INFORMATION IN THIS MANUAL IS NOT FOLLOWED EXACTLY, A FIRE OR EXPLOSION MAY RESULT CAUSING PROPERTY DAMAGE, PERSONAL INJURY OR LOSS OF LIFE.

DO NOT STORE OR USE GASOLINE OR OTHER FLAMMABLE VAPORS AND LIQUIDS IN THE VICINITY OF THIS OR ANY OTHER APPLIANCE.

AN LP CYLINDER NOT CONNECTED FOR USE SHALL NOT BE STORED IN THE VICINITY OF THIS OR ANY OTHER APPLIANCE.

 PROPOSITION 65 WARNING: FUELS USED IN GAS, WOOD BURNING OR OIL-FIRED APPLIANCES, AND THE PRODUCTS OF COMBUSTION OF SUCH FUELS, CONTAIN CHEMICALS KNOWN TO THE STATE OF CALIFORNIA TO CAUSE CANCER, BIRTH DEFECTS AND OTHER REPRODUCTIVE HARM.

 WARNING: NOT FOR USE INSIDE; FOR OUTSIDE USE ONLY.

 ! SAVE THESE INSTRUCTIONS ! 

 **WARNING** 

**THE FOLLOWING PAGES CONTAIN OPERATING AND
MAINTENANCE INSTRUCTIONS.**

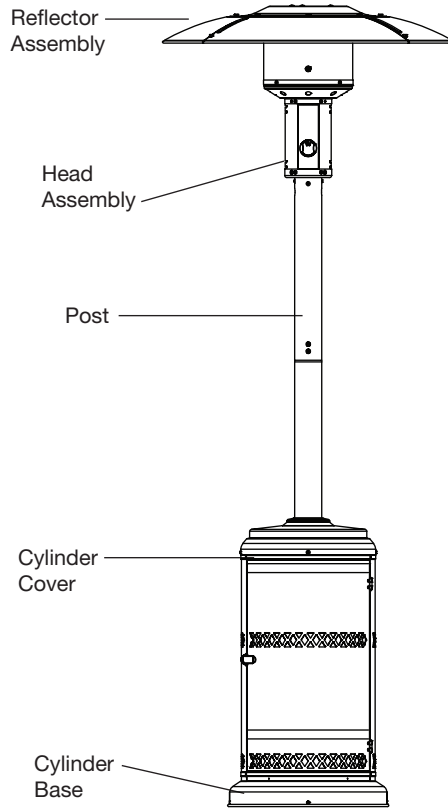
**DO NOT ATTEMPT TO OPERATE THIS PATIO HEATER
UNTIL YOU HAVE READ AND UNDERSTOOD ALL SAFETY
PRECAUTIONS AND INSTRUCTIONS LISTED IN THIS MANUAL.**

**INCORRECT OPERATION OF THIS UNIT CAN CAUSE SERIOUS
INJURY!!**

**DO NOT ALTER OR MODIFY THIS EQUIPMENT
IN ANY MANNER!**

**NEVER LEAVE HEATER UNATTENDED WHILE BURNING OR
WHILE CONNECTED TO A POWER SOURCE.**

PATIO HEATER FEATURES



FEATURES

The Propane Patio Heater comes with safety features including anti-tilt switch and auto shutoff switch. The features of the Propane Patio Heater is shown.

HEATER SPECIFICATIONS

Model	MH-0040-PM10
Rating BTU/Hr	40,000
Fuel	Propane LP
Supply Pressure	250 PSI max
Manifold Pressure	11" W.C.
Size (Height)	7'2"
Size (Diameter)	32 5/16"
Net Weight (Lbs)	59
Cylinder Required	20lb

GENERAL SAFETY INFORMATION



WARNING: IMPROPER USE OF THIS HEATER CAN RESULT IN SERIOUS INJURY OR DEATH FROM BURNS, FIRE AND OR EXPLOSION.

IMPORTANT: Read this User's Manual carefully and completely before attempting to operate or service this heater. Improper use of the heater can cause serious injury or death from fire and explosion.

Every possible circumstance that may involve a hazard cannot be anticipated. The warnings in this manual and attached to the unit are therefore not all-inclusive. If a procedure, work method or operating technique not specifically recommended by the manufacturer is used, you must be sure it is safe for you and others. You should also insure that equipment will not be damaged or made unsafe by the operating or maintenance method you choose.

IMPORTANT SAFETY INFORMATION

1. Keep solid combustibles, such as building materials, paper or cardboard a safe distance away from the heater as recommended by the instructions in this manual (at least 2 feet away from sides and 3 feet from top of head assembly).
2. These heaters are design certified as gas-fired infrared patio heaters under CSA 2901-81 standards.
3. This heater is hot when in use. To avoid burns, do not let bare skin touch hot surfaces. Do not move heater when in use OR for at least 45 minutes after using.
4. Keep combustible materials, such as furniture, pillow, bedding, papers, clothes and curtains at least 2 feet away from sides and 3 feet from top of head assembly.
5. Do not operate any heater with a damaged regulator or after the heater malfunctions, or has been dropped or damaged in any manner. Return heater to an authorized service facility for examination, or mechanical adjustment, or repair.
6. Do not use this heater in a residential or household area. For OUTDOOR use only. If stored indoors, detach and leave the LP cylinder outdoors.
7. Never replace the regulator with any regulator other than the factory suggested replacement.
8. This heater should be secured or moved inside if winds exceed 22 miles per hour to prevent damage to heater.
9. Do not insert or allow any foreign objects to enter any ventilation or exhaust opening as this may cause a fire, or damage to the heater.
10. Do not paint emitter screen, control panel or reflector assembly.
11. Use this heater only as described in this manual. Any other use not recommended by the manufacturer may cause a fire or injury to persons.
12. Be sure heater is used where fresh air ventilation is available.
13. Do not modify or alter this heater in any way or operate any heater that has been modified from its original state. For example, do not use heater without reflector assembly or emitter screen.
14. It is hard to anticipate every use which may be made of the heater. Check with your local fire safety authority if you have any questions about heater application.
15. Be sure heater is on a solid and level surface.
16. Do not shorten the burner post assembly.



WARNING: NEVER LEAVE HEATER UNATTENDED WHILE BURNING OR WHILE CONNECTED TO A POWER SOURCE.

THE PROPANE (LP) CYLINDER MUST ALSO BE EQUIPPED WITH THE FOLLOWING:

1. A collar to protect the gas valve.
2. A shut-off valve terminating a LP cylinder valve outlet as specified in the American National Standard for Compressed Gas Cylinder Valve Outlets and Inlet Connections.
3. A safety relief valve having direct communications with the vapor space of the LP cylinder.
4. An arrangement of vapor withdrawal.

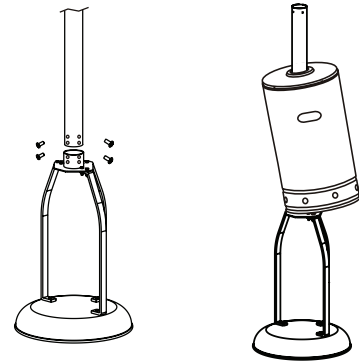
You must provide the propane gas and cylinder(s). Use this heater only with a propane vapor withdrawal supply system. Refer to Chapter 5 of the Standard for Storage and Handling of Liquefied Petroleum Gas, ANSI/NFPA 58. Your local library or fire department will have this booklet.

ASSEMBLY FOR MH-0040-PM10 (BEFORE SERIAL # 5450 1014 00001)

ASSEMBLING THE HEATER

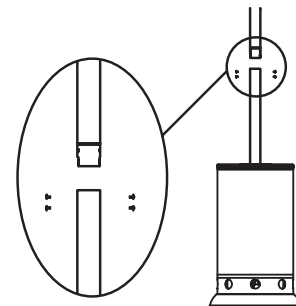
Note: Tools required: 7/16" Wrench, 3/8" Open End Wrench, Adjustable opening Wrench 8" long, Phillips screwdriver

1. **Attach post to base assembly.** Attach the Post to the post mounts using M5 x 12 Bolts (6 pcs).
2. **Attach cylinder cover.** Attach the Cylinder Cover to the post mounts.
3. **Attach the upper pole to the lower pole** by four M4 x 8 bolts.
4. **Attach head assembly to post.** Load Head Assembly by inserting Gas Hose into Post. Insert Head Assembly into Post. Tighten securely using M5x12 Bolts (4 pcs).
5. **Assembly of reflector.** Attach Reflector Cap to top of reflector (4 pcs) using the M6 x 10mm Bolts (12 pcs), 6mm Washers (12 pcs) and M6 Nuts (12 pcs) as shown.
6. **Attach the reflector** assembly to top of head assembly, Load the Reflector Assembly to the top of the Head Assembly using M6 x 10 (3 pcs), 6mm Washers (3 pcs).
7. **Connect gas line to LP cylinder.** Attach Gas Hose to the Regulator with 3/8" open end wrench and adjustable wrench, then fix it with the fixing chain. Attach Regulator to LP cylinder. Tighten securely, then move LP cylinder to the plate of the Base assembly.
8. **Check for leaks.** All factory connections of your Patio Heater have been checked. To check the connections of the Gas Hose / Regulator / LP cylinder:
 1. Make leak test solution by mixing 1 part liquid dish soap and 3 parts water.
 2. Spoon several drops (or use a squirt bottle) of the solution onto the Gas Hose/Regulator or the Regulator/LP cylinder connection
 3. Inspect the connections and look for bubbles.
 4. If no bubbles appear, the connection is safe. **Do not use a flame to test for leaks!**
 5. If bubbles appear, then there is a leak. Loosen and re-tighten the connection where bubbles are present.
9. **Lower LP cylinder cover onto cylinder base.** Lower the LP cylinder cover onto the Cylinder Base.
10. **Disconnect LP cylinder when storing or transporting.** Turn off heater and turn off valve on LP cylinder. Disconnect the Regulator and remove LP cylinder.

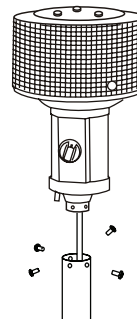


1.

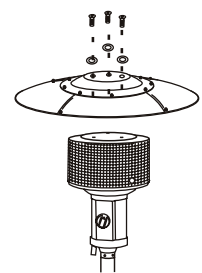
2.



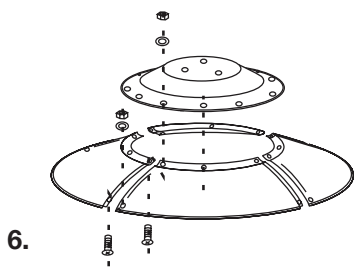
3.



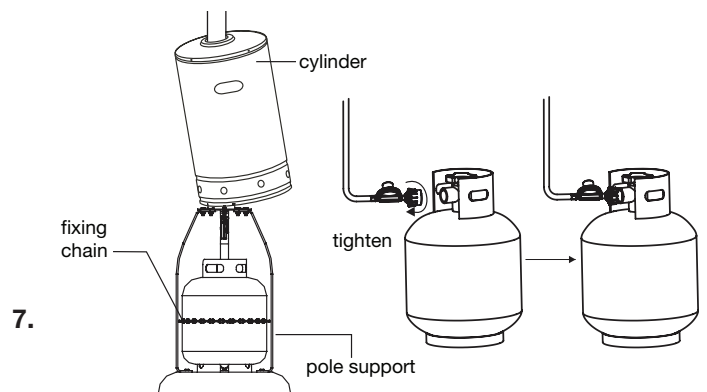
4.



5.



6.



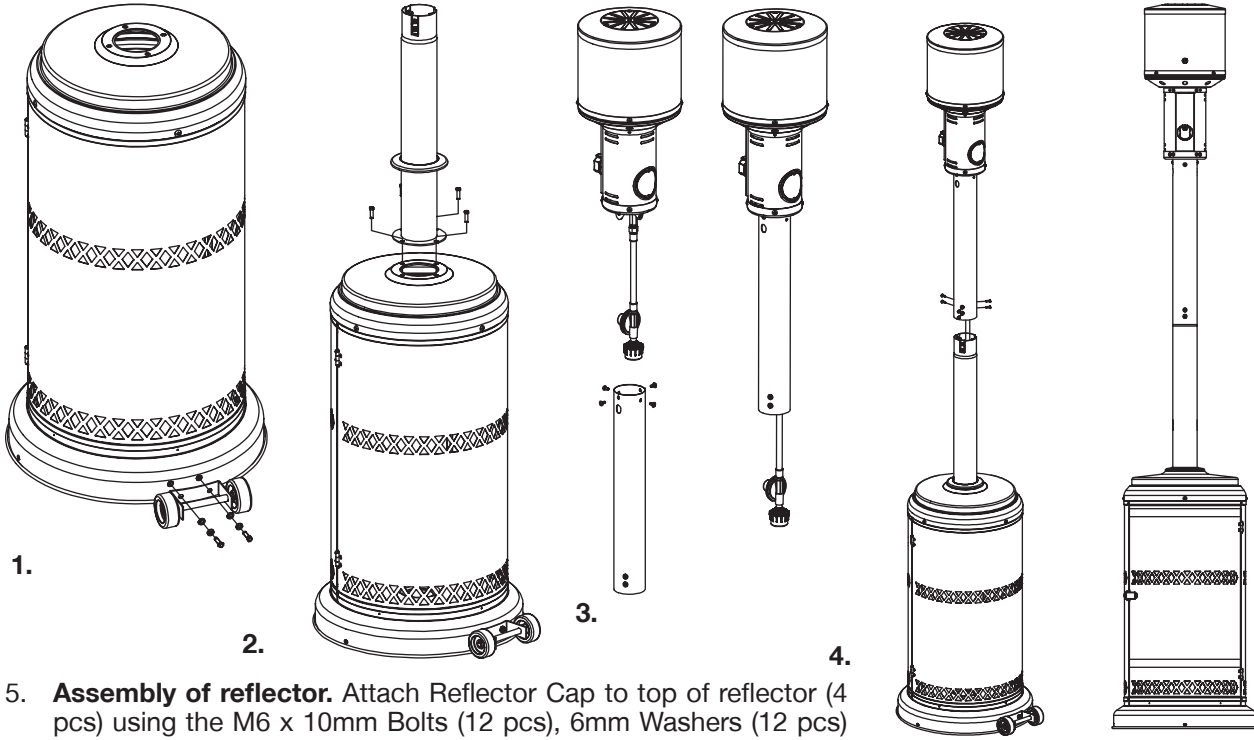
7.

ASSEMBLY FOR MH-0040-PM10 (AFTER SERIAL # 5450 1014 00001)

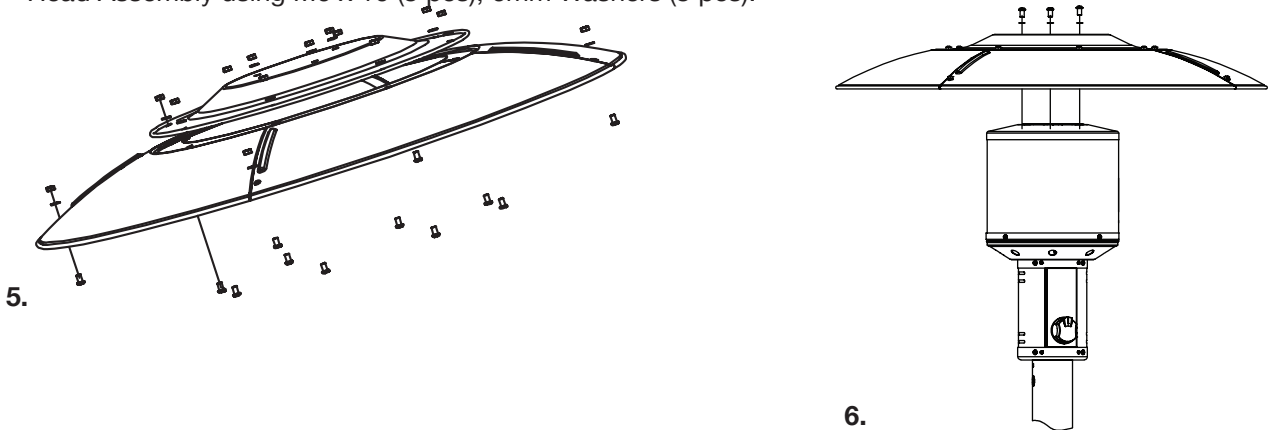
ASSEMBLING THE HEATER

Note: Tools required: 7/16" Wrench, 3/8" Open End Wrench, Adjustable opening Wrench 8" long, Phillips screwdriver

1. Attach the wheel assembly with 2x 6mm washers / 2x 6mm lock washers / 2x M6x20 bolts.
2. **Attach post to base assembly.** Attach the Post to the post mounts using M6 x 20 Bolts (4 pcs). Use flange cover after tightening bolts.
3. **Attach head assembly to post.** Load Head Assembly by inserting Gas Hose into Post. Insert Head Assembly into Post. Tighten securely using M5x12 Bolts (4 pcs).
4. **Attach the upper pole to the lower pole** by six M4 x 8 bolts.

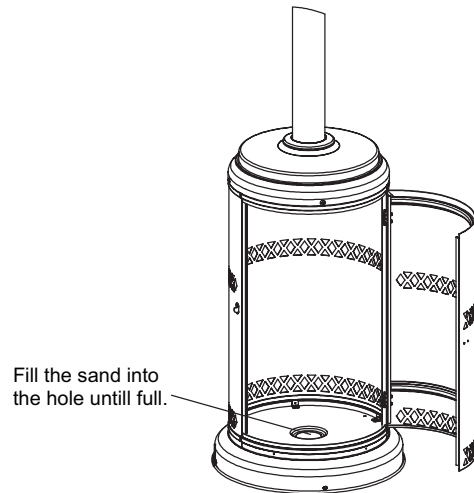


5. **Assembly of reflector.** Attach Reflector Cap to top of reflector (4 pcs) using the M6 x 10mm Bolts (12 pcs), 6mm Washers (12 pcs) and M6 Nuts (12 pcs) as shown.
6. **Attach the reflector assembly to top of head assembly,** Load the Reflector Assembly to the top of the Head Assembly using M6 x 10 (3 pcs), 6mm Washers (3 pcs).

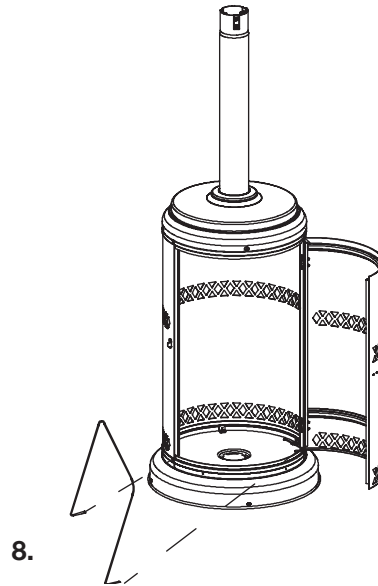


ASSEMBLY FOR MH-0040-PM10 (AFTER SERIAL # 5450 1014 00001)

7. Fill the base with sand as a counter weight.



7.



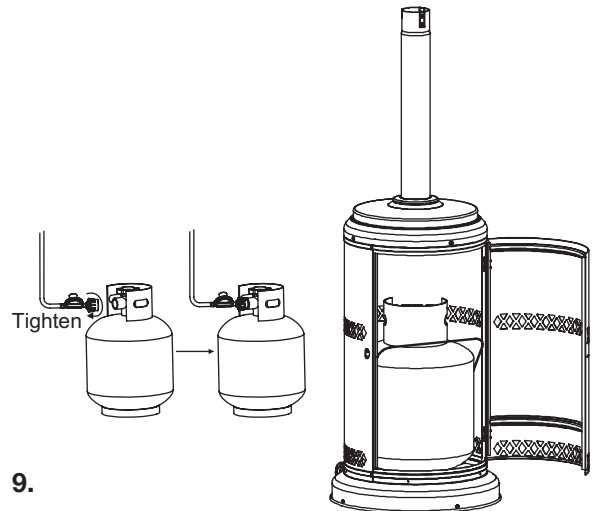
8.

8. Install cylinder guard to the base.
9. **Connect gas line to LP cylinder.** Attach Gas Hose to the Regulator with 3/8" open end wrench and adjustable wrench. Attach Regulator to LP cylinder. Tighten securely, then move LP cylinder to the plate of the Base assembly.

NOTE: All leak test procedures should be completed before use.

10. **Check for leaks.** All factory connections of your Patio Heater have been checked. To check the connections of the Gas Hose / Regulator / LP cylinder:

- a. Make leak test solution by mixing 1 part liquid dish soap and 3 parts water.
- b. Spoon several drops (or use a squirt bottle) of the solution onto the Gas Hose/Regulator or the Regulator/LP cylinder connection
- c. Inspect the connections and look for bubbles.
- d. If no bubbles appear, the connection is safe. **Do not use a flame to test for leaks!**
- e. If bubbles appear, then there is a leak. Loosen and re-tighten the connection where bubbles are present.



9.

11. **Close access door on base cover.**
12. **Disconnect LP cylinder when storing or transporting.** Turn off heater and turn off valve on LP cylinder. Disconnect the Regulator and remove LP cylinder.

NOTE: Turn off valve on gas cylinder when heater is not in use.

OPERATION

Mi-T-M Propane Patio Heaters are designed for the heating of outdoor patios, decks, spas, pool and open working areas.

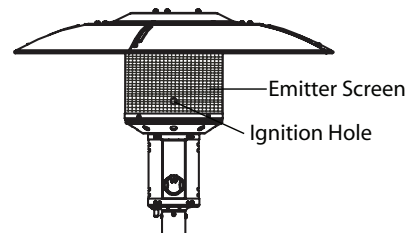
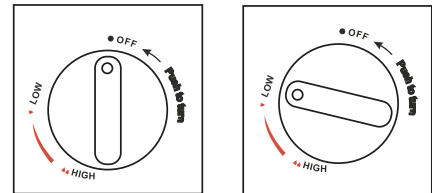
⚠ WARNING: BEFORE TURNING GAS SUPPLY ON YOUR PROPANE PATIO HEATER WAS DESIGNED AND APPROVED FOR OUTDOOR USE ONLY. DO NOT USE THIS HEATER INSIDE A BUILDING, OR ANY ENCLOSED AREA.

⚠ WARNING: BEFORE LIGHTING, HEATER SHOULD BE THOROUGHLY INSPECTED BEFORE EACH USE, AND BY A QUALIFIED PERSON AT LEAST ONCE A YEAR.

If relighting a hot heater, wait at least 5 minutes. See space tolerances below.

LIGHTING INSTRUCTIONS

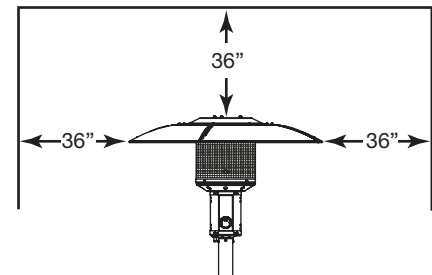
- 1) Inspect Regulator/Hose assembly prior to each use of the heater
- 2) Turn the control knob to "OFF" position.
- 3) Turn LP cylinder gas valve to fully open position.
- 4) Push in control knob and turn counter clockwise to "HIGH" position, If you want a lower temperature, push in the control knob and turn clockwise to the "LOW" position.
- 5) Once the burner is lit, keep the control knob depressed for approx. 30 seconds. Then release the control knob.
- 6) If the burner does not stay lit, repeat steps 3 and 4.
- 7) If the burner still does not stay lit, proceed as follows:
 - a) Push in gas control knob and turn counter clockwise to the "LOW" position.
 - b) Keep depressing the control knob, put a long stem lighter into the ignition hole on the emitter screen. To light the burner.
 - c) Repeat step 4.



FLAME CHARACTERISTIC

The flame pattern at the emitter screen should be visually checked whenever heater is operated. Normally the burner flame is blue, but little yellow flame is acceptable.

If flames extend beyond surface of the emitter grid, or the phenomena of flame lift or light back, or black spot is accumulating on the emitter grid or reflector, the heater should be turned off immediately. The heater should not be operated again until the unit is serviced and or repaired.



⚠ WARNING: DO NOT TOUCH OR MOVE HEATER FOR AT LEAST 45 MINUTES AFTER USE. ALLOW EMITTER AND REFLECTOR TO COOL BEFORE TOUCHING.

⚠ WARNING: IF AT ANYTIME YOU ARE UNABLE TO LIGHT THE BURNER AND SMELL GAS, WAIT 5 MINUTES TO ALLOW GAS TO DISSIPATE BEFORE ATTEMPTING TO LIGHT AGAIN.

AFTER FIRST LIGHTING

The burner may be noisy when initially turned on. To eliminate excessive noise from the burner, set the Control Knob to "LOW", then turn the Control Knob to heat level desired.

White smoke may appear around the Emitter Screen during the first few minutes of initial lighting. This is the heater burning up the oil used in manufacturing. Both smoke and odor will dissipate after approximately 30 minutes.

OPERATION

WHEN HEATER IS ON

The Emitter Screen will become bright red due to the intense heat. Burner may display tongues of blue flame. These flames should not be yellow or produce thick black smoke, which indicates that there is an obstruction of airflow through the burners.

If flame is very low it is because there is not enough pressure. Check your LP cylinder.

RELIGHTING

- 1) Turn the Control Knob to the "OFF" position.
- 2) Wait at least 5 minutes before attempting to relight.
- 3) Repeat steps beginning with step 2 under 'Lighting Instructions'.

SHUT DOWN INSTRUCTIONS

- 1) Push in and turn Control Knob to the "OFF" position.
- 2) Turn gas valve on LP cylinder clockwise until tight to close.



WARNING: ALWAYS BE SURE CONTROL KNOB IS OFF AND CYLINDER IS OFF WHEN LEAVING HEATER. NEVER LEAVE THIS PATIO HEATER UNATTENDED WHILE IN USE.

NOTE: After use, some discoloration of the emitter screen is normal.



DANGER: DO NOT TOUCH OR MOVE HEATER DURING OPERATION OR FOR AT LEAST 45 MINUTES AFTER USE. SERIOUS INJURY OR DEATH MAY OCCUR.

MAINTENANCE

To enjoy years of performance from your heater be sure to perform the following maintenance activities on a regular basis:

1. The flame pattern at the Emitter Screen should be visually checked whenever the heater is operated. Normally the burner flame is blue, but little yellow flame is acceptable.
2. Keep the exterior surfaces clean by using warm soapy water. Never use flammable or corrosive cleaning agents.
3. Be SURE to keep the area around the burner and pilot assembly dry at all times. If the gas control is exposed to water in any way, do not try to use it. It may need to be replaced.
4. Air flow must be UNOBSTRUCTED. Keep controls, burner and circulating air passageways clean. Signs of possible blockage include:
 - a. Gas odor with extreme yellow tipping of flame.
 - b. Heater does not reach the desired temperature.
 - c. Heater glow is excessively uneven.
 - d. Heater makes popping noises.
5. Spiders and insects can nest in burner or orifices. This dangerous condition can damage the heater and render it unsafe for use. Clean burner holes by using a heavy-duty pipe cleaner. Compressed air may help clear away smaller particles.
6. Carbon deposits may create a fire hazard. Clean dome and emitter with warm soapy water if any carbon deposits develop. At least ONCE A YEAR check the section of the hose inside the post.
7. In salt-air environments (such as near an ocean) corrosion occurs more quickly than normal. Frequently check for corroded areas and repair them promptly.

STORAGE

BETWEEN USES

1. Turn Control Knob to OFF position
2. Turn control valve on LP cylinder to OFF.
3. Store your Patio Heater upright in a dry place that is sheltered from inclement weather such as rain, sleet, hail, snow, dust and debris. DO NOT store Patio Heater indoors with LP cylinder still connected.
4. If desired, cover heater to protect exterior surfaces and to help prevent debris in air passageways.

DURING EXTENDED PERIODS OR WHEN TRANSPORTING

1. Turn control knob to OFF position
2. Disconnect LP cylinder and move to a well-ventilated location outdoors. Do not store LP cylinder indoors.
3. Store your Patio Heater upright in a dry place that is sheltered from inclement weather such as rain, sleet, hail, snow, dust and debris.
4. If desired, cover heater to protect exterior surfaces and to help prevent debris in air passageways.

NOTE: Wait until Patio Heater is completely cool before covering.

TROUBLESHOOTING

SYMPTOM

PROBABLE CAUSE

REMEDY

Burner will not light.

1. Pressure is low.
2. Orifice blocked.
3. Control valve is not ON.
4. Thermocouple is bad.
5. Pilot light assembly is bent or not in the correct location.

1. LP cylinder is near empty. Refill LP cylinder.
2. Remove and clean and replace if needed.
3. Turn valve to ON.
4. Replace thermocouple.
5. Place pilot in proper position and retry.



STATEMENT OF WARRANTY

Mi-T-M warrants this heater to the original retail purchaser only, to be free from defects in material and workmanship for a period of

one (1) year from the date of initial purchase.

This product must be properly installed, maintained and operated in accordance with the instructions provided. Mi-T-M requires reasonable proof of your date of purchase from an authorized retailer or distributor. Therefore, you should keep your sales slip, invoice, or cancelled check from the original purchase.

EXCLUSIONS

1. This Limited Warranty shall be limited to the repair or replacement of parts, which prove defective Mi-T-M shall determine at its reasonable discretion. This warranty does not include wear items: filters, vanes, nozzles, and rotors.
2. This Limited Warranty does not cover any failures or operating difficulties due to normal wear and tear, accident, abuse, misuse, alteration, misapplication, improper installation or improper maintenance and service by you or any third party. Failure to perform normal and routine maintenance on the heater, shipping damage, damage related to insects, birds, or animals of any kind, and damage due to weather conditions are also not covered.
3. In addition, the Limited Warranty does not cover damage to the finish, such as scratches, dents, discoloration, rust or other weather damage, after purchase.

All transportation costs for the return of the damaged product or parts will be the responsibility of the purchaser. Upon receipt of damaged item, Mi-T-M will examine the item and determine if defective. Mi-T-M will repair or replace and return the item, freight pre-paid. If Mi-T-M finds the item to be in normal operating condition, or not defective, the item will be returned freight collect.

This Limited Warranty is in lieu of all other express warranties. Mi-T-M disclaims all warranties for products that are purchased from sellers other than authorized retailers or distributors.

AFTER THE PERIOD OF THE ONE (1) YEAR EXPRESS WARRANTY EXPIRES, Mi-T-M DISCLAIMS ANY AND ALL IMPLIED WARRANTIES, INCLUDING WITHOUT LIMITATION THE IMPLIED WARRANTIES OF MERCHANTABILITY AND FITNESS FOR A PARTICULAR APPLICATION. FURTHER, Mi-T-M SHALL HAVE NO LIABILITY WHATSOEVER TO PURCHASER OR ANY THIRD PARTY FOR ANY SPECIAL, INDIRECT, PUNITIVE, INCIDENTAL, OR CONSEQUENTIAL DAMAGES.

Mi-T-M assumes no responsibility for any defects caused by third parties. This Limited Warranty gives the purchaser specific legal rights; a purchaser may have other rights depending upon where he or she lives. Some states do not allow the exclusion or limitation of special, incidental or consequential damages, or limitations on how long a warranty lasts, so the above exclusion and limitations may not apply to you. Mi-T-M does not authorize any person or company to assume for it any other obligation or liability in connection with the sale, installation, use, removal, return, or replacement of its equipment, and no such representations are binding on Mi-T-M. Always be sure to specify model number and serial number when making any claim with Mi-T-M.

**For Service or Warranty Consideration, contact
Mi-T-M® Corporation, 8650 Enterprise Drive, Peosta, IA 52068
563-556-7484 / 800-553-9053 / Fax 563-556-1235
Monday - Friday 8:00 a.m. - 5:00 p.m. CST**

TABLE OF CONTENTS

INTRODUCTION.....	18
IMPORTANTES CONSIGNES DE SECURITE.....	19
FONCTIONS.....	22
SPÉCIFICATIONS.....	22
INFORMATIONS GÉNÉRALES SUR LA SÉCURITÉ.....	23
MONTAGE.....	24-26
FONCTIONNEMENT.....	27
ENTRETIEN.....	29
DÉPANNAGE.....	30
GARANTIE LIMITÉE.....	31

AVERTISSEMENT: NE JAMAIS LAISSER L'APPAREIL DE CHAUFFAGE SANS SURVEILLANCE LORSQU'IL FONCTIONNE OU LORSQU'IL EST BRANCHÉ À UNE SOURCE D'ALIMENTATION EN CARBURANT OU D'ÉLECTRICITÉ.

WARNING

AVERTISSEMENT: Ce produit contient du plomb, un produit chimique qui est connu par l'état de Californie comme étant la cause de cancer et de malformations congénitales ou autres effets nocifs de reproduction.

Laver vos mains après avoir manipulé ce produit.

AVERTISSEMENT

Ce produit contient un ou plusieurs produits chimiques qui sont connus par l'état de Californie comme étant la cause de cancer, de défauts de naissance et d'autres problèmes reproductifs.

INTRODUCTION

Félicitations de l'achat de votre nouveau le radiateur! Vous pouvez être assuré que votre nouveau le radiateur a été construit avec le plus haut niveau de précision et de fiabilité. Chaque composant a été rigoureusement testé par des techniciens pour assurer la qualité, la durabilité et la performance de le radiateur.

Ce manuel opérateur a été dressé pour que vous en retiriez le meilleur parti. Par la lecture et l'application des mesures simples de sécurité, d'installation et d'opération, d'entretien et de dépannage décrites dans ce manuel, votre nouveau le radiateur fonctionnera sans faille pendant de nombreuses années. Le contenu de ce manuel est basé sur la dernière information disponible du produit au moment de la publication. Mi-T-M® se réserve le droit d'effectuer des changements de prix, de couleur, de matériaux, d'équipement, de caractéristiques ou de modèles à tout moment sans communication préalable.



IMPORTANT!

Les avertissements de sécurité "DANGER, AVERTISSEMENT ou ATTENTION" seront entourés par un "ENCADRE ALERTE SECURITE". Cet encadré est utilisé pour indiquer et souligner les avertissements de sécurité qui doivent être suivis en actionnant ce compresseur d'air. En plus des avertissements de sécurité, des "mots d'alerte" sont utilisés pour indiquer le degré ou niveau de risque. Les "mots d'alerte" utilisés dans ce manuel sont comme suit:

DANGER: INDIQUE UNE SITUATION AU DANGER IMMINENT QUI, SI ELLE N'EST PAS ÉVITÉE, ENTRAÎNERA LA MORT OU DES BLESSURES GRAVES.

AVERTISSEMENT: INDIQUE UNE SITUATION POTENTIELLEMENT DANGEREUSE QUI, SI ELLE N'EST PAS ÉVITÉE, POURRAIT ENTRAÎNER LA MORT OU DES BLESSURES GRAVES.

ATTENTION: INDIQUE UNE SITUATION POTENTIELLEMENT DANGEREUSE, QUI, SI ELLE N'EST PAS ÉVITÉE, PEUT ENTRAÎNER DES BLESSURES MINEURES OU PEU GRAVES ET DES DÉGATS AU COMPRESSEUR.



Les symboles placés à gauche de ce paragraphe sont des "symboles d'alerte de sécurité". Ces symboles sont utilisés pour souligner les points ou les procédures qui pourraient être dangereuses pour vous ou tout autre personne utilisant cet équipement.

Fournissez toujours une copie de ce manuel à toute personne utilisant cet équipement. Lisez toutes les instructions dans ce manuel et toutes instructions fournies par les fabricants d'équipement de support avant d'utiliser ce compresseur d'air et attirer spécialement l'attention aux "Avertissements de Sécurité" pour éviter la possibilité de blessures pour l'utilisateur.

Une fois l'appareil déballé, écrivez immédiatement le numéro de série de votre appareil dans l'espace ci-dessous.

NUMERO DE SERIE _____




Assurez-vous qu'il n'y a pas de signes de dommages évidents ou cachés suite au transport. En cas de dommage, remplissez immédiatement une réclamation avec la compagnie de transport. Assurez-vous que toutes les pièces endommagées sont remplacées et les problèmes mécaniques et électriques corrigés avant l'utilisation de l'appareil. Si vous avez besoin d'assistance, entrez en contact avec votre service clientèle.

Mi-T-M® Corporation, 8650 Enterprise Drive, Peosta, IA 52068
563-556-7484 / 800-553-9053 / Fax 563-556-1235
du lundi au vendredi de 8h00 à 17h, CST (heure centrale)

Veuillez avoir les informations suivantes disponibles pour toute intervention:


1. Numéro de modèle
2. Numéro de série
3. Date et lieu d'achat

IMPORTANTES CONSIGNES DE SECURITE

Hazard	Potential Consequence	Prevention
<p>RISQUE D'EXPLOSION OU D'INCENDIE</p> <div style="text-align: center;">   </div>	<p>Des blessures graves peuvent survenir si la prise ou la sortie d'air du chauffage est obstruée.</p> <p>Des blessures graves, voire la mort, peuvent survenir ou si le chauffage fonctionne durant le ravitaillement</p> <p>Toujours placer le chauffage sur une surface stable et plane à l'écart des enfants et des animaux.</p> <p>L'utilisation d'une flamme pour vérifier s'il y a des fuites peut être la cause de mort ou de blessures graves.</p>	<p>N'utiliser ce chauffage que dans un endroit bien ventilé libre de vapeurs inflammables, de poussière combustible ou de toute autre matière combustible.</p> <p>Ne pas insérer ou laisser des corps étrangers pénétrer dans toute ouverture de ventilation ou d'évacuation, car il pourrait en résulter un incendie ou des dommages au radiateur.</p> <p>NE JAMAIS bouger ou manipuler le chauffage lorsqu'il est encore chaud.</p> <p>L'entreposage de carburant en gros doit être maintenu à une distance d'un minimum de 25 pieds (7m60) des chauffages, torches, groupes électrogènes portables ou toutes autres sources d'inflammation. Tout entreposage de carburant doit être conforme aux réglementations des autorités locales, d'état ou fédérale ayant juridiction.</p> <p>NE JAMAIS bouger ou manipuler le chauffage lorsqu'il est encore chaud.</p> <p>TOUJOURS placer le chauffage sur une surface stable et plane. TOUJOURS maintenir les enfants et les animaux à l'écart du chauffage</p> <p>NE PAS utiliser de flamme pour vérifier si des fuites sont présentes. Suivre la partie Vérification d'étanchéité dans ce manuel.</p>
<p>RISQUE DE BRULURES</p> <div style="text-align: center;">  </div>	<p>Le fait de toucher les surfaces de métal exposées peut causer de graves blessure. Ces surfaces peuvent rester chaudes pendant un certain temps après l'arrêt du chauffage.</p>	<p>Le fait de toucher les surfaces de métal exposées peut causer de graves blessure. Ces surfaces peuvent rester chaudes pendant un certain temps après l'arrêt du chauffage.</p>

⚠ AVERTISSEMENT: NE JAMAIS LAISSER L'APPAREIL DE CHAUFFAGE SANS SURVEILLANCE LORSQU'IL FONCTIONNE OU LORSQU'IL EST BRANCHÉ À UNE SOURCE D'ALIMENTATION EN CARBURANT OU D'ÉLECTRICITÉ.


INFORMATIONS GÉNÉRALES SUR LA SÉCURITÉ

 **NE JAMAIS UTILISER LE RADIATEUR DANS DES ENDROITS QUI CONTIENNENT OU POURRAIENT CONTENIR DES MATIÈRES COMBUSTIBLES VOLATILES OU EN SUSPENSION DANS L'AIR, OU ENCORE DES PRODUITS COMME L'ESSENCE, LES SOLVANTS, LES DILUANTS À PEINTURE, LES PARTICULES DE POUSSIÈRE OU DES PRODUITS CHIMIQUES INCONNUS.**

 **Si les informations contenues dans ce manuel ne sont pas suivies à la lettre, un incendie ou une explosion peuvent survenir et causer des dommages matériels, des blessures ou la mort.**

- Ne pas entreposer ni utiliser d'essence ou d'autres vapeurs ou liquides inflammables à proximité de ce radiateur ou de tout autre appareil.

- Une bouteille de GPL (gaz propane liquide) qui n'est pas raccordée pour être utilisée ne doit pas être entreposée à proximité de cet appareil ou de tout autre appareil.

 **AVERTISSEMENT: LIRE L'AVERTISSEMENT DE LA PROPOSITION 65 DE CE MANUEL : LES COMBUSTIBLES UTILISÉS DANS LES APPAREILS ALIMENTÉS AU GAZ, AU BOIS OU À L'HUILE ET LES PRODUITS DE LA COMBUSTION DE CES COMBUSTIBLES CONTIENNENT DES PRODUITS CHIMIQUES RECONNUS PAR L'ÉTAT DE CALIFORNIE POUR CAUSER LE CANCER, DES ANOMALIES CONGÉNITALES ET AUTRES EFFETS NOCIFS SUR LA REPRODUCTION.**

 **AVERTISSEMENT: PAS POUR À L'INTÉRIEUR, EN DEHORS DE L'UTILISATION SEULEMENT**

 **!GARDER CES INSTRUCTIONS!** 



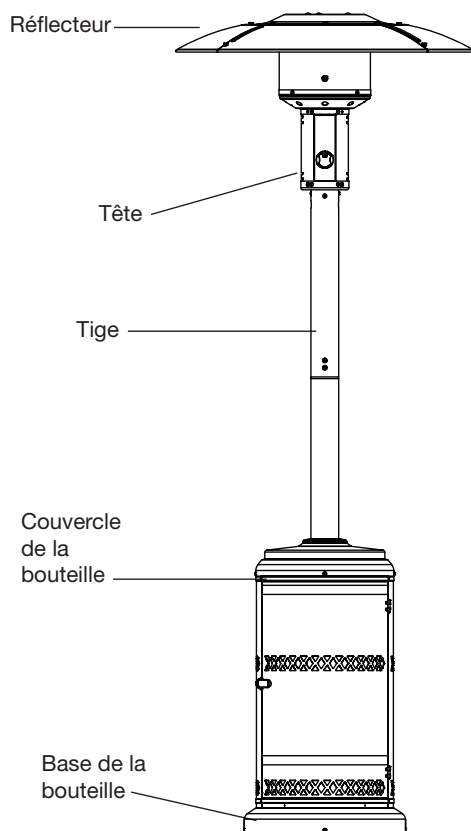
**LES PAGES SUIVANTES CONTIENNENT LES
CONSIGNES D'UTILISATION ET D'ENTRETIEN.
NE TENTER PAS DE FAIRE FONCTIONNER CE
COMPRESSEUR D'AIR AVANT D'AVOIR LU ET
COMPRIS TOUTES LES PRECAUTIONS ET
CONSIGNES DE SECURITE CONTENUES DANS
CE MANUEL.**

**L'UTILISATION INAPPROPRIEE DE CET
APPAREIL PEUT CAUSER DES BLESSURES
SERIEUSES!!**

**NE PAS ALTERER OU MODIFIER CET
EQUIPEMENT EN AUCUNE MANIERE!**

**AVERTISSEMENT: NE JAMAIS LAISSER L'APPAREIL DE CHAUFFAGE
SANS SURVEILLANCE LORSQU'IL FONCTIONNE OU LORSQU'IL EST
BRANCHÉ À UNE SOURCE D'ALIMENTATION EN CARBURANT OU
D'ÉLECTRICITÉ.**

FONCTIONS



FONCTIONS

Les radiateurs au propane sont livrés avec des dispositifs de sécurité, notamment un interrupteur antibasculement et un interrupteur d'arrêt automatique. Ces dispositifs des radiateurs au propane pour patio.

SPÉCIFICATIONS

Modèle	MH-0040-PM10
Chaleur	40,000
Combustible	Propane LP
Pression d'alimentation	Max. 1722 kPa,
Pression de sortie du distributeur	82,1 cm W.C.
Hauteur	2,6 m
Diamètre	32 5/16"
Poids net de l'appareil	26,8 kg
Bouteille Nécessaire	9 kg

INFORMATIONS GÉNÉRALES SUR LA SÉCURITÉ



L'UTILISATION INAPPROPRIÉE DE CE RADIATEUR PEUT CAUSER DES BLESSURES GRAVES OU MORTELLES SUITE À DES BRÛLURES, UN INCENDIE, UNE EXPLOSION, UNE DÉCHARGE ÉLECTRIQUE ET/OU UN EMPOISONNEMENT AU MONOXYDE DE CARBONE.

Ne pas utiliser ce radiateur avant d'avoir lu et entièrement compris ces directives de sécurité et d'utilisation. Le non respect des précautions et des instructions fournies avec ce radiateur peut entraîner la mort, des blessures graves, des pertes ou des dommages matériels suite aux risques d'incendie, d'explosion, de brûlures, d'asphyxie ou d'empoisonnement au monoxyde de carbone. Seules des personnes aptes à comprendre et suivre ces instructions doivent utiliser ou entretenir ce radiateur.

Il est impossible de prévoir toutes les circonstances susceptibles de présenter des risques. Les avertissements dans ce manuel et ceux apposés sur l'appareil ne sont donc pas complets. Si on utilise une procédure, une méthode de travail ou une technique d'utilisation qui n'est pas spécifiquement recommandée on doit s'assurer qu'elle est sûre pour soi et pour les autres. S'assurer également que l'équipement ne sera pas endommagé ou rendu non sécuritaire par la méthode d'utilisation ou d'entretien choisie.

IMPORTANTES CONSIGNES DE SECURITE

1. Garder les matières combustibles solides, comme les matériaux de construction, le papier ou le carton à une distance sécuritaire du radiateur, comme il est recommandé dans les instructions de ce manuel (à au moins 0,6 m des côtés et à 1 m du dessus de la tête; voir la Figure 13 de la page 5).
2. Ces radiateurs sont conçus et homologués en tant que radiateurs infrarouges alimentés au gaz pour patio selon les normes CSA 2901-81.
3. Ce radiateur est chaud lorsqu'il est utilisé. Pour éviter les brûlures, ne pas laisser la peau nue entrer en contact avec les surfaces chaudes. Ne pas déplacer le radiateur alors qu'il est utilisé OU au moins 45 minutes après son utilisation.
4. Garder les matières combustibles, comme les meubles, les oreillers, la literie, le papier, les vêtements et les rideaux à au moins 0,6 m des côtés et 1 m du dessus de la tête. (Voir la Figure 13, page 5.)
5. Ne pas utiliser un radiateur dont le régulateur est endommagé ou lorsque le radiateur a mal fonctionné, ou encore s'il est tombé ou a été endommagé d'une quelconque manière. Retourner le radiateur à un centre de service autorisé pour le faire examiner, pour un ajustement mécanique ou pour une réparation.
6. Ne pas utiliser ce radiateur dans une aire résidentielle ou dans un domicile. Pour un usage à l'EXTÉRIEUR seulement. Si l'appareil est entreposé à l'intérieur, débrancher et laisser la bouteille de GPL à l'extérieur.
7. Ne jamais remplacer le régulateur par un dispositif différent de celui recommandé par l'usine.
8. Ce radiateur doit être fixé solidement ou rangé à l'intérieur si la vitesse du vent dépasse 35 km/h afin de prévenir tout dommage à l'appareil.
9. Ne pas insérer ou laisser des corps étrangers pénétrer dans toute ouverture de ventilation ou d'évacuation, car il pourrait en résulter un incendie ou des dommages au radiateur.
10. Ne pas peindre l'écran émetteur, le panneau de commande ou le réflecteur.
11. Utiliser ce radiateur seulement de la manière décrite dans ce manuel. Toute autre utilisation non recommandée par le fabricant peut causer un incendie ou des blessures.
12. Veiller à utiliser le radiateur dans un endroit bien ventilé par de l'air frais.
13. Ne modifier ni altérer ce radiateur en aucune manière, ni utiliser un quelconque radiateur dont on a modifié son état d'origine. Par exemple, ne pas utiliser le radiateur sans son réflecteur ou son écran émetteur.
14. Il est difficile de prévoir tous les usages possibles du radiateur. Consulter le service des incendies de votre localité pour toute question sur une utilisation particulière du radiateur.
15. Veiller à placer le radiateur sur une surface solide et horizontale.
16. Ne pas raccourcir la tige du brûleur.

LA BOUTEILLE DE GAZ PROPANE/GPL DOIT AUSSI ÊTRE ÉQUIPÉE DES CHOSES SUIVANTES:

1. Un collier pour protéger la valve à gaz.
2. Une valve de fermeture adaptée à l'orifice de sortie du cylindre de gaz Propane/GPL et en conformité avec les spécifications des standards (American National standard) pour connexions entrantes et sortantes des cylindres de gaz comprimés.
3. Une soupape de sécurité et de décharge communiquant directement avec la zone du cylindre GPL à l'état gazeux.
4. Un système de soutirage de vapeur.

Vous devez fournir la/les bouteille(s) et le gaz propane. Ne se servir de cet appareil de chauffage qu'avec un système d'alimentation de Propane qui assure un soutirage de vapeur. Voir Chapitre 5 de La Norme pour l'Entreposage et la Manipulation du Gaz de Pétrole Liquéfié, ANSI/NFPA 58. Votre bibliothèque locale ou les responsables locaux de la sécurité incendie auront cette brochure.

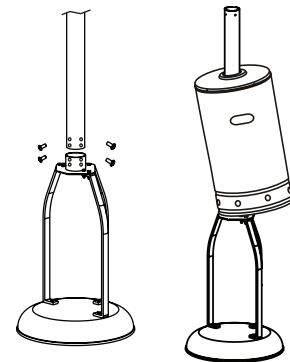
MONTAGE MH-0040-PM10 (AVANT LE NUMÉRO DE SÉRIE 5450 1014 00001)

AVERTISSEMENT: NE JAMAIS LAISSER L'APPAREIL DE CHAUFFAGE SANS SURVEILLANCE LORSQU'IL FONCTIONNE OU LORSQU'IL EST BRANCHÉ À UNE SOURCE D'ALIMENTATION EN CARBURANT OU D'ÉLECTRICITÉ.

ASSEMBLAGE DU RADIATEUR

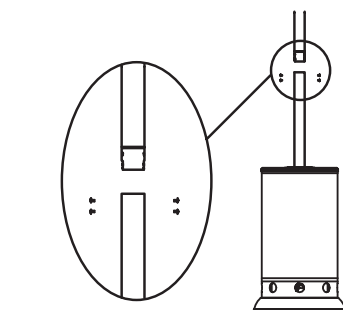
OUTILS NÉCESSAIRES Clé de 7/16 po Clé à fourche de 3/8 po Clé à molette de 203 mm de long Tournevis cruciforme Solution de détection de fuites

- Fixation de la tige à la base.** Fixer la tige à ses montants en utilisant six (6) boulons M5 x 12 et six (6) rondelles de 5 mm.
- Fixation du couvercle de la bouteille.** Fixer le couvercle de la bouteille aux montants de la tige.
- Reliez le poteau supérieur au poteau inférieur par quatre M4 X 8 boulons.
- Fixation de la tête à la tige.** Charger la tête en insérant le tuyau de gaz dans la tige. Insérer la tête dans la tige. Serrer fermement avec cinq (4) boulons M5 x 12.
- Assemblage du réflecteur.** Fixer les quatre (4) capuchons du réflecteur à sa partie supérieure en utilisant douze (12) boulons M6 x 10 mm, douze (12) rondelles de 6 mm et douze (12) écrous M6.
- Fixation du réflecteur à la partie supérieure de la tête,** Charger le réflecteur sur la partie supérieure de la tête en utilisant trois (3) boulons M6 x 10, trois (3) rondelles de 6 mm(3).
- Raccordement de la conduite de gaz à la bouteille de gpl** Fixer le tuyau de gaz au régulateur à l'aide d'une clé à fourche de 3/8 po et d'une clé à molette et le fixer avec la fixation de la chaîne. Fixer le régulateur à la bouteille de GPL. Serrer fermement et placer la bouteille de GPL sur la plaque de la base.
- Détection des fuites.** L'étanchéité de tous les raccords du radiateur de patio effectués en usine a été vérifiée. Pour vérifier les raccords tuyau de gaz/régulateur / bouteille de gaz :
 - Préparer une solution de détection de fuite en mélangeant une (1) partie de savon liquide pour vaisselle et trois (3) parties d'eau.
 - Verser quelques gouttes de solution avec une cuillère (ou une burette) sur le raccordement tuyau de gaz / régulateur ou régulateur / bouteille de GPL.
 - Inspecter les raccords et rechercher la présence de bulles.
 - Si aucune bulle n'apparaît, le raccordement est sûr. NE PAS utiliser de flamme pour vérifier la présence de fuites
 - Si des bulles apparaissent, il y a une fuite. Desserrer et resserrer le raccordement à l'emplacement qui présente des bulles.
- Abaissement du couvercle de la bouteille sur sa base.** Abaisser le couvercle de la bouteille de GPL sur sa base.
- Débranchement de la bouteille de gpl pour le rangement ou le transport** Éteindre le radiateur et fermer le robinet de la bouteille de GPL. Débrancher le régulateur et enlever la bouteille de GPL.

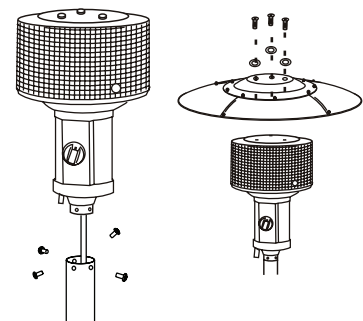


1.

2.

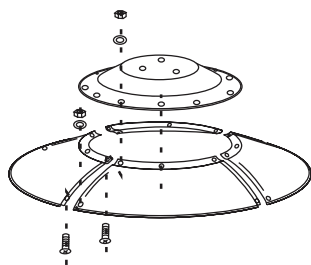


3.

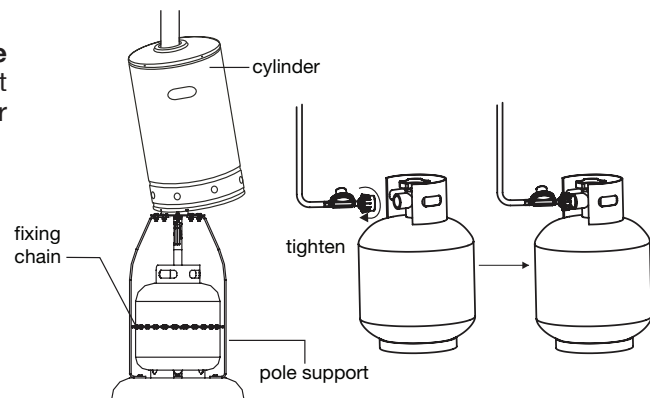


4.

5.



6.



7.

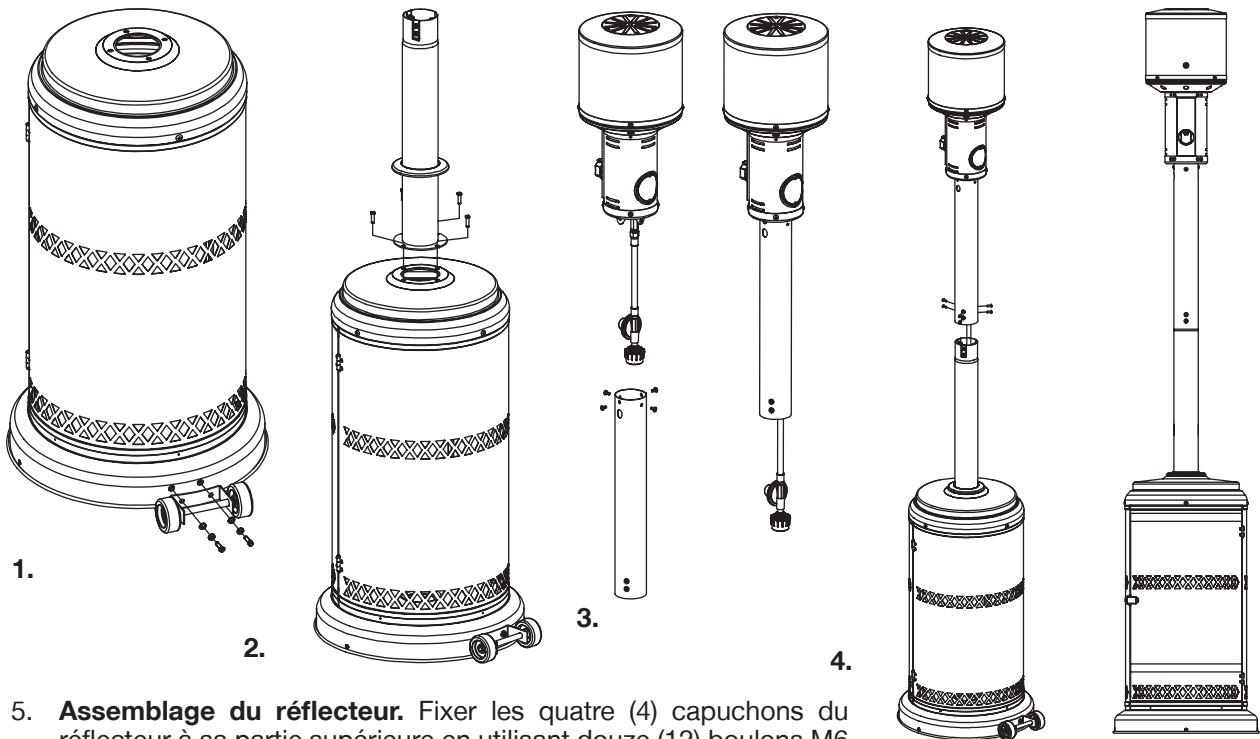
MONTAGE MH-0040-PM10 (APRÈS LE NUMÉRO DE SÉRIE 5450 1014 00001)

AVERTISSEMENT: NE JAMAIS LAISSER L'APPAREIL DE CHAUFFAGE SANS SURVEILLANCE LORSQU'IL FONCTIONNE OU LORSQU'IL EST BRANCHÉ À UNE SOURCE D'ALIMENTATION EN CARBURANT OU D'ÉLECTRICITÉ.

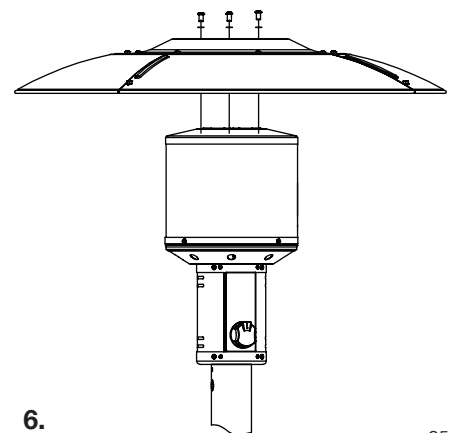
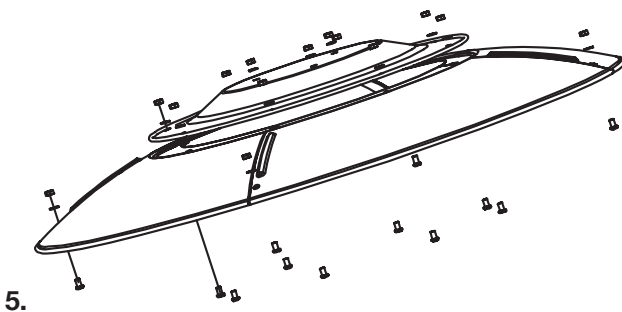
ASSEMBLAGE DU RADIATEUR

OUTILS NÉCESSAIRES Clé de 7/16 po Clé à fourche de 3/8 po Clé à molette de 203 mm de long Tournevis cruciforme Solution de détection de fuites

1. Attacher l'assemblage des roues avec des rondelles de 2 x 6mm/des rondelles frein de 2 x 6 mm/des boulons 2 x M6 x 20.
2. **Fixation de la tige à la base.** Fixer la tige à ses montants en utilisant quatre (4) boulons M6 x 20. Utiliser le couvercle de bride après avoir serré les boulons.
3. **Fixation de la tête à la tige.** Charger la tête en insérant le tuyau de gaz dans la tige. Insérer la tête dans la tige. Serrer fermement avec cinq (4) boulons M5 x 12.
4. Reliez le poteau supérieur au poteau inférieur par six M4 X 8 boulons.

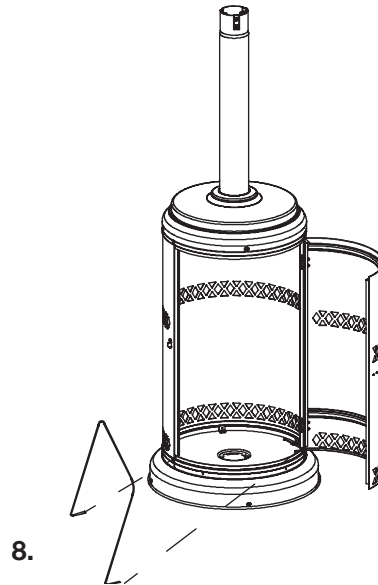
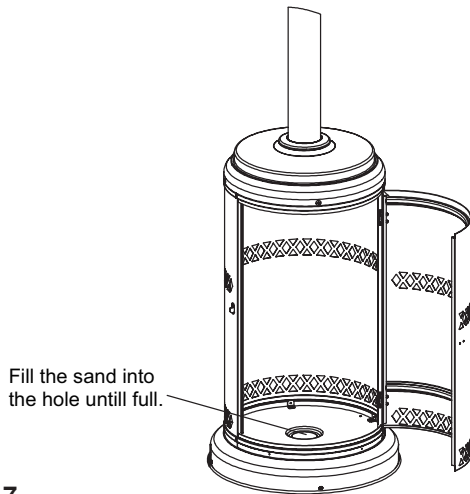


5. **Assemblage du réflecteur.** Fixer les quatre (4) capuchons du réflecteur à sa partie supérieure en utilisant douze (12) boulons M6 x 10 mm, douze (12) rondelles de 6 mm et douze (12) écrous M6.
6. **Fixation du réflecteur à la partie supérieure de la tête,** Charger le réflecteur sur la partie supérieure de la tête en utilisant trois (3) boulons M6 x 10, trois (3) rondelles de 6 mm(3).



MONTAGE MH-0040-PM10 (APRÈS LE NUMÉRO DE SÉRIE 5450 1014 00001)

7. Remplir la base avec du sable comme contrepoids.



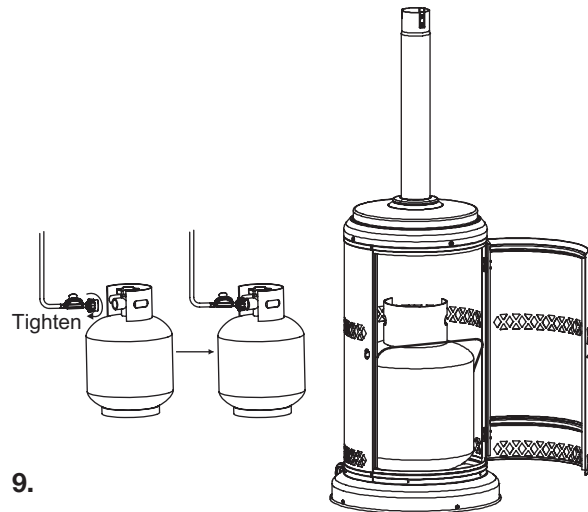
8. Attacher la protection du cylindre à la base.

9. **Raccordement de la conduite de gaz à la bouteille de gpl** Fixer le tuyau de gaz au régulateur à l'aide d'une clé à fourche de 3/8 po et d'une clé à molette. Fixer le régulateur à la bouteille de GPL. Serrer fermement et placer la bouteille de GPL sur la plaque de la base.

Note: Toutes les procédures de tests pour fuite doivent être terminées avant l'utilisation.

10. **Détection des fuites.** L'étanchéité de tous les raccords du radiateur de patio effectués en usine a été vérifiée. Pour vérifier les raccords tuyau de gaz/régulateur / bouteille de gaz :

1. Préparer une solution de détection de fuite en mélangeant une (1) partie de savon liquide pour vaisselle et trois (3) parties d'eau.
2. Verser quelques gouttes de solution avec une cuiller (ou une burette) sur le raccordement tuyau de gaz / régulateur ou régulateur / bouteille de GPL.
3. Inspecter les raccords et rechercher la présence de bulles.
4. Si aucune bulle n'apparaît, le raccordement est sûr. NE PAS utiliser de flamme pour vérifier la présence de fuites
5. Si des bulles apparaissent, il y a une fuite. Desserrer et resserrer le raccordement à l'emplacement qui présente des bulles.



11. **Fermer la porte d'accès sur le couvercle inférieur.**

12. **Débranchement de la bouteille de gpl pour le rangement ou le transport** Éteindre le radiateur et fermer le robinet de la bouteille de GPL. Débrancher le régulateur et enlever la bouteille de GPL.

NOTE: Couper l'alimentation en gaz de la bouteille en tournant le robinet lorsque le chauffage ne sert pas.

FONCTIONNEMENT

Les radiateurs de patio Mi-T-M sont conçus pour le chauffage des patios, terrasses, spas, piscines et aires de travail ouvertes situés à l'extérieur.

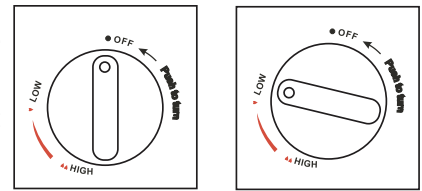
AVERTISSEMENT AVANT D'OUVRIR L'ALIMENTATION EN GAZ, LE RADIATEUR AU PROPANE POUR PATIO DAYTON A ÉTÉ CONÇU ET HOMOLOGUÉ POUR UNE UTILISATION À L'EXTÉRIEUR SEULEMENT. NE PAS UTILISER CE RADIATEUR À L'INTÉRIEUR D'UN ÉDIFICE OU D'UN ENDROIT CLOS.

AVERTISSEMENT AVANT D'ALLUMER LE RADIATEUR DOIT ÊTRE INSPECTÉ À FOND AVANT CHAQUE UTILISATION; ET PAR UNE PERSONNE QUALIFIÉE AU MOINS UNE FOIS PAR ANNÉE.

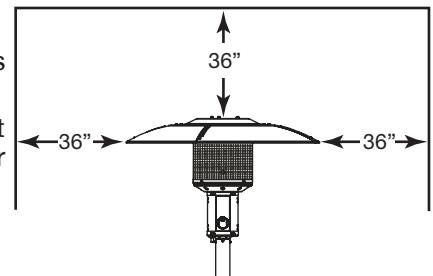
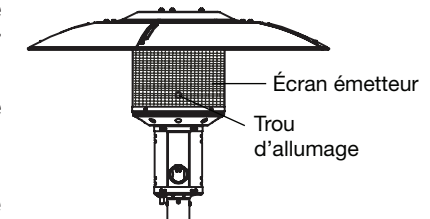
Si l'on doit rallumer un radiateur chaud, attendre au moins 5 minutes. Voir la pour connaître les tolérances d'espacement.

INSTRUCTIONS POUR L'ALLUMAGE

1. Inspecter l'assemblage du détendeur/tuyau avant chaque utilisation de l'appareil de chauffage.
- 2) Tourner le bouton de commande pour le mettre à la position d'arrêt (OFF).
- 3) Ouvrir complètement le robinet de gaz.
- 4) Appuyer sur et tourner le bouton de commande dans le sens inverse des aiguilles d'une montre jusqu'à la position "HIGH". Pour une température plus basse, appuyer sur le bouton de commande et tourner dans le sens des aiguilles d'une montre jusqu'à la position "LOW".
- 5) Une fois que le brûleur est allumé, maintenir le bouton de commande enfoncé pendant 30 secondes. Après 30 secondes, relâcher le bouton de commande.
- 6) Si le brûleur ne reste pas allumé, répéter les étapes 3 et 4 au bout de 5 minutes.
- 7) Si le brûleur ne reste toujours pas allumé :



- a) Appuyer sur le bouton de commande de gaz et le tourner dans le sens antihoraire jusqu'à la position « LOW ».
- b) Alors que le bouton de commande est enfoncé, placer un briquet à tige longue dans le trou d'allumage sur l'écran émetteur pour allumer la veilleuse.
- c) Répéter l'étape 4.



REMARQUE : Vérifier la flamme au niveau de l'écran émetteur lorsque le radiateur fonctionne. La flamme du brûleur est normalement bleue, mais quelques flammèches jaunes sont acceptables. Si les flammes s'étendent au-delà de l'écran émetteur ou si une tache noire s'accumule sur l'écran émetteur ou sur le réflecteur, éteindre le radiateur. Voir la section sur le Tableau de dépannage à la page 8. Ne pas utiliser le radiateur tant qu'il n'a pas été vérifié ou réparé.

AVERTISSEMENT: NE PAS TOUCHER OU DÉPLACER LE RADIATEUR PENDANT AU MOINS 45 MINUTES APRÈS L'AVOIR UTILISÉ. LAISSER L'ÉMETTEUR ET LE RÉFLECTEUR REFROIDIR AVANT DE LES TOUCHER.

AVERTISSEMENT: SI À UN MOMENT QUELCONQUE, LE BRÛLEUR NE PEUT ÊTRE ALLUMÉ ET QU'UNE ODEUR DE GAZ EST PRÉSENTE, ATTENDRE 5 MINUTES POUR LAISSER LE GAZ SE DISSIPER AVANT D'ESSAYER DE LE RALLUMER.

FONCTIONNEMENT

APRÈS LE PREMIER ALLUMAGE

Le brûleur peut faire du bruit lors du premier allumage. Pour éliminer un bruit excessif provenant du brûleur, placer le bouton de commande à « LOW » (bas) puis le tourner au niveau de chaleur voulu.

De la fumée blanche peut apparaître autour de l'écran émetteur lors des premières minutes du premier allumage. Le radiateur brûle alors l'huile utilisée pendant la fabrication. La fumée et l'odeur se dissiperont après environ 30 minutes.

LORSQUE LE RADIATEUR EST ALLUMÉ

L'écran émetteur devient rouge brillant en raison de la chaleur intense. Le brûleur peut montrer des langues de flamme bleues. Ces flammes ne doivent pas être jaunes ou produire une épaisse fumée noire, ce qui indiquerait que le flux d'air des brûleurs est obstrué.

Si la flamme est très basse, la pression est insuffisante. Vérifier la bouteille de GPL.

RÉALLUMAGE

1. Tourner le bouton de commande en position « OFF » (arrêt).
2. Attendre au moins 5 minutes avant de rallumer la veilleuse.
3. Répéter les étapes en commençant par l'étape 2, section « Instructions pour l'allumage ».

INSTRUCTIONS D'ARRÊT

1. Enfoncer le bouton de commande et le tourner en position « OFF » (arrêt).
2. Tourner le robinet de la bouteille de GPL dans le sens horaire jusqu'à ce qu'il soit complètement fermé.

 **AVERTISSEMENT: TOUJOURS S'ASSURER QUE LE BOUTON DE COMMANDE EST EN POSITION OFF (FERMÉ) ET QUE LA BOUTEILLE EST FERMÉE AVANT DE LAISSER LE RADIATEUR. NE JAMAIS LAISSER FONCTIONNER CE RADIATEUR DE PATIO SANS SURVEILLANCE.**

REMARQUE : Après usage, il est normal que l'écran émetteur présente une certaine décoloration.

 **DANGER: NE PAS TOUCHER OU DÉPLACER LE RADIATEUR PENDANT QU'IL FONCTIONNE OU AU MOINS 5 MINUTES APRÈS SON UTILISATION. DES BLESSURES GRAVES OU MORTELLES POURRAIENT SURVENIR.**

 **AVERTISSEMENT: NE JAMAIS LAISSER L'APPAREIL DE CHAUFFAGE SANS SURVEILLANCE LORSQU'IL FONCTIONNE OU LORSQU'IL EST BRANCHÉ À UNE SOURCE D'ALIMENTATION EN CARBURANT OU D'ÉLECTRICITÉ.**

ENTRETIEN

Afin de profiter pendant de nombreuses années de la bonne performance de ce radiateur, effectuer régulièrement les procédures d'entretien ci-dessous :

1. Vérifier la flamme au niveau de l'écran émetteur lorsque le radiateur fonctionne. La flamme du brûleur est normalement bleue, mais quelques flammèches jaunes sont acceptables.
2. Garder les surfaces extérieures propres en les lavant à l'eau savonneuse. Ne jamais utiliser d'agents nettoyants inflammables ou corrosifs.
3. S'ASSURER de maintenir sèche en permanence la zone entourant le brûleur et la veilleuse. Si la commande de gaz est exposée d'une quelconque façon à l'eau, ne pas tenter de l'utiliser. Elle peut exiger un remplacement.
4. Le flux d'air doit être EXEMPT D'OBSTRUCTION. Garder propres les commandes, le brûleur et les passages de circulation d'air. Voici quelques signes indiquant une obstruction :
 - a. Odeur de gaz et bouts de flamme très jaunes.
 - b. Le radiateur n'atteint pas la température voulue.
 - c. La lueur du radiateur est très inégale.
 - d. Le radiateur fait un bruit d'éclatement.
5. Des araignées et des insectes peuvent nicher dans les orifices du brûleur. Cette condition dangereuse peut endommager le radiateur et poser des risques lors de son utilisation. Nettoyer les trous du brûleur en utilisant un nettoyant industriel pour tuyaux. De l'air comprimé peut aider à dégager les petites particules.
6. Des dépôts de carbone peuvent créer un risque d'incendie. Si des dépôts de carbone s'accumulent, nettoyer le dôme et l'émetteur à l'eau chaude savonneuse. Vérifier la section de tuyau à l'intérieur de la tige AU MOINS UNE FOIS PAR AN.
7. Dans des environnements d'air salin (comme à proximité d'un océan), la corrosion est plus rapide que dans un environnement normal. Vérifier fréquemment pour détecter les parties corrodées et les réparer rapidement.

ENTREPOSAGE

ENTRE LES UTILISATIONS

1. Tourner le bouton de commande en position OFF (arrêt).
2. Tourner le robinet de la bouteille de GPL en position OFF (arrêt).
3. Entreposer le radiateur pour patio en position verticale, dans un endroit sec, à l'abri des intempéries comme la pluie, le grésil, la grêle, la neige, la poussière et les débris. NE PAS entreposer le radiateur pour patio à l'intérieur alors qu'il est encore raccordé à la bouteille de GPL.
4. On pourra recouvrir le radiateur pour protéger ses surfaces extérieures et aider à prévenir l'accumulation de débris dans les passages d'air.

LORS DE PÉRIODES PROLONGÉES OU PENDANT LE TRANSPORT

1. Tourner le bouton de commande en position OFF (arrêt).
2. Débrancher la bouteille de GPL et la placer à l'extérieur, dans un endroit bien ventilé. Ne pas entreposer la bouteille de GPL à l'intérieur.
3. Entreposer le radiateur pour patio en position verticale, dans un endroit sec, à l'abri des intempéries comme la pluie, le grésil, la grêle, la neige, la poussière et les débris.
4. On pourra recouvrir le radiateur pour protéger ses surfaces extérieures et aider à prévenir l'accumulation de débris dans les passages d'air.

REMARQUE : Attendre que le radiateur pour patio soit complètement refroidi avant de le recouvrir..



AVERTISSEMENT: NE JAMAIS LAISSER L'APPAREIL DE CHAUFFAGE SANS SURVEILLANCE LORSQU'IL FONCTIONNE OU LORSQU'IL EST BRANCHÉ À UNE SOURCE D'ALIMENTATION EN CARBURANT OU D'ÉLECTRICITÉ.

DÉPANNAGE

SYMPTÔME

Le brûleur ne s'allume pas

CAUSE(S) POSSIBLE(S)

1. Pression basse
2. L'orifice est obstrué
3. Robinet de commande FERMÉ
4. Thermocouple défectueux
5. L'ensemble de veilleuse est tordu ou mal placé

ACTION CORRECTIVE

1. La bouteille de GPL est presque vide. Remplir la bouteille de GPL
2. Enlever et nettoyer; remplacer le cas échéant
3. OUVRIR le robinet (ON)
4. Remplacer le thermocouple
5. Placer correctement la veilleuse et réessayer



GARANTIE LIMITÉE

Mi-T-M garantit à l'acheteur au détail d'origine seulement que ce radiateur sera exempt de défauts de matière et de fabrication pendant une période d'un an à partir de la date de l'achat initial. Ce produit doit être installé, entretenu et utilisé correctement, en conformité avec les instructions fournies.

Mi-T-M exige une preuve raisonnable de la date d'achat chez un détaillant ou un distributeur autorisé. Il vous faut donc conserver votre preuve d'achat, facture ou chèque annulé pour l'achat d'origine. Cette garantie limitée couvre uniquement la réparation ou le remplacement des pièces jugées défectueuses dans des conditions d'utilisation et d'entretien normales pendant la période de garantie et Mi-T-M se réserve le droit de déterminer ceci à sa seule discrétion. Cette garantie ne couvre pas les pièces d'usure: filtres, ailettes, gicleurs et rotors.

Cette garantie limitée ne couvre pas toute défaillance ou difficulté d'utilisation résultant d'un usage normal, d'une usure normale, d'un accident, d'un abus, d'une mauvaise utilisation, d'une altération, d'un mauvais usage, d'une installation inadéquate ou encore d'une réparation ou d'un entretien inadéquats par vous ou par une quelconque tierce partie. Le fait de négliger d'effectuer l'entretien normal et de routine de ce radiateur, les dommages causés lors de l'expédition de l'expédition ou reliés à des insectes, des oiseaux ou des animaux ou encore à tout autre dommage résultant des conditions météorologiques ne sont pas couverts par cette garantie. En outre, cette garantie limitée ne couvre pas les dommages au fini, comme les égratignures, les encoches, la décoloration, la rouille ou d'autres dommages résultant des conditions météorologiques, et survenus après l'achat.

Tous les frais de transport pour le retour de produits ou de pièces endommagés doivent être défrayés par l'acheteur. Sur réception de l'article endommagé, Mi-T-M examinera l'article en question et déterminera s'il est défectueux. Mi-T-M réparera ou remplacera et retournera l'article frais de port payés. Si Mi-T-M détermine que l'article est dans un état d'utilisation normale, ou n'est pas défectueux, il sera retourné fret payable à l'arrivée. Cette garantie limitée remplace toute autre garantie explicite. Mi-T-M renonce à toute garantie de produits achetés de vendeurs autres que des détaillants ou distributeurs autorisés.

APRÈS UNE PÉRIODE D'UN (1) AN CETTE GARANTIE EXPRESSE EXPIRE, MI-T-M RENONCE À TOUTE GARANTIE IMPLICITE INCLUANT, MAIS SANS S'Y LIMITER, TOUTE GARANTIE IMPLICITE DE QUALITÉ MARCHANDE OU D'ADAPTATION À UN USAGE PARTICULIER. EN OUTRE, MI-T-M N'EST AUCUNEMENT RESPONSABLE ENVERS L'ACHETEUR OU ENVERS TOUTE TIERCE PARTIE POUR UN QUELCONQUE DOMMAGE INDIRECT, PUNITIF, CONNEXE OU FORTUIT. Mi-T-M n'assume aucune responsabilité pour un quelconque défaut causé par une tierce partie. Cette garantie limitée donne à l'acheteur des droits légaux spécifiques; un acheteur pourrait jouir d'autres droits selon de la juridiction où il réside. Certaines juridictions ne permettent pas l'exclusion ou la limitation des dommages spéciaux, indirects ou fortuits ou des limitations sur la durée d'une garantie; les limitations ci-dessus pourraient donc ne pas s'appliquer à votre cas.

Mi-T-M n'autorise aucune personne ou aucune entreprise à assumer pour elle une quelconque obligation ou responsabilité autre reliée à la vente, l'installation, l'utilisation, l'enlèvement, le retour ou le remplacement de ces équipements et aucune telle représentation ne lie en quelque manière Mi-T-M

Toujours s'assurer de spécifier le numéro de modèle et le numéro de série lors de toute demande à Mi-T-M

Pour service ou considération de garantie, contactez
Mi-T-M® Corporation, 8650 Enterprise Drive, Peosta, IA 52068
563-556-7484 / 800-553-9053 / Fax 563-556-1235
du lundi au vendredi, de 8h00 à 17h00, CST (heure centrale)

TABLE OF CONTENTS

INTRODUCCION	34
IMPORTANTES CONSIGNES DE SECURITE	35
CARACTERÍSTICAS.....	38
ESPECIFICACIONES.....	38
INFORMACIÓN DE SEGURIDAD GENERAL	39
MONTAJE	40-42
OPERACIÓN	43
MANTENIMIENTO	45
IDENTIFICACIÓN DE PROBLEMAS.....	46
GARANTIA LIMITADA	47

ADVERTENCIA: NUNCA DEJE DESATENDIDA LA CALENTADORA MIENTRAS ESTE ENCENDIDO O ESTE CONECTADA A UNA FUENTE ELÉCTRICO/ DE ALIMENTACIÓN, O CUANDO ESTE CONECTADA A UNA FUENTE DE COMBUSTIBLE.

WARNING

ADVERTENCIA: Este producto tiene plomo, una sustancia química conocida al Estado de California a causar cáncer y defectos de nacimiento u otro daño reproductivo.

Lávese las manos después de usar este producto.

ADVERTENCIA

Este producto contiene química conocida por el estado de California a causar cancer, defectos de nacimiento, y otros peligros reproductor.

INTRODUCCION

¡Felicitaciones por la compra de su nueva compresor de aire eléctrico! Puede estar seguro que su compresor de aire eléctrico fue construida con el nivel más. Cada componente ha sido probado rigurosamente por técnicos para asegurar la calidad, la resistencia y el rendimiento de esta unidad.

Este manual del operador fue compilado para su beneficio. Leyendo y siguiendo los pasos simples de seguridad, instalación, operación, mantenimiento y localización de fallas descritos en este manual ayudará a prolongar aun más la operación libre de fallas que usted puede esperar de su compresor de aire eléctrico. El contenido de este manual está basado en la información actualizada disponible al momento de la publicación. Mi-T-M® se reserva el derecho de efectuar cambios en precio, color, materiales, equipo, especificaciones o modelos en cualquier momento sin previo aviso.

¡IMPORTANTE!

Estos párrafos están rodeados por una “CASILLA DE ALERTA DE SEGURIDAD”. Esta casilla se usa par designar y enfatizar las Advertencias de Seguridad que deben seguirse al operar esta lavadora a presión. Acompañando a las Advertencias de Seguridad están las “palabras de alerta” que designan el grado o nivel de seriedad de riesgo. Las “palabras de alerta” usadas en este manual son las siguientes:

PELIGRO: Indica una situación inminente riesgosa la cual, si no se evita, RESULTARA en la muerte o en lesiones graves.

ADVERTENCIA: Indica una situación potencialmente riesgosa la cual, si no se evita, PODRIA resultar en la muerte o en lesiones graves.

PRECAUCION: Indica una situación potencialmente riesgosa la cual, si no se evita PUEDE resultar en lesiones menores o moderadas.



El símbolo indicado a la izquierda de este párrafo es el “Símbolo de Alerta de Seguridad”. Este símbolo se usa para alertarlo acerca de artículos o procedimientos que podrían ser peligrosos para usted u otras personas usando este equipo.

PROVEA SIEMPRE UNA COPIA DE ESTE MANUAL A CUALQUIER PERSONA QUE USE ESTE EQUIPO. LEA TODAS LAS INSTRUCCIONES ANTES DE OPERAR ESTA LAVADORA A PRESION, OBSERVANDO EN PARTICULAR LAS “ADVERTENCIAS DE SEGURIDAD” PARA EVITAR LA POSIBILIDAD DE LESIONES PERSONALES AL OPERADOR.

Escriba el número de serie de su unidad en el espacio provisto abajo, una vez que la unidad haya sido desempacada.

NUMERO DE SERIE _____




Inspeccione por daño el contenido de la caja. Si algo parece dañado, NO LA DEVUELVA AL LUGAR DE COMPRA. Llame a su representante de servicio al cliente de al 800-553-9053.

Por favor tenga disponible la información siguiente para todas las llamadas de servicio:

1. Número de modelo
2. Número de serie
3. Fecha y lugar de compra

Mi-T-M® Corporation
8650 Enterprise Drive
Peosta, IA 52068-0050

IMPORTANTES CONSIGNES DE SECURITE

Hazard	Potential Consequence	Prevention
<p>RIESGO DE EXPLOSIÓN O DE INCENDIO</p> <div style="display: flex; flex-direction: column; align-items: center;">   </div>	<p>La herida grave puede ocurrir la entrada o salida del aire de la calentadora son bloqueadas.</p> <p>La herida grave puede ocurrir la entrada No repare ni le dé mantenimiento al calentador mientras está caliente o funcionando</p> <p>SIEMPRE mantenga la calentadora en una superficie de establo y nivel. SIEMPRE mantenga a niños y animales lejos de calentadora</p> <p>La muerte o la herida graves pueden ocurrir si una llama es utilizada para probar para filtraciones.</p>	<p>Siempre opere calentadora en un área bien ventilada libre de vapores inflamables, polvo combustible, los gases u otras materias combustibles.</p> <p>No inserte ni permita que objetos extraños entren en las aberturas de ventilación o escape, ya que esto podría causar un incendio o daños al calentador.</p> <p>Esta calentadora está MUY CALIENTE mientras en la operación.</p> <p>.El almacenamiento del combustible del bulto debe ser un mínimo de 25 Pies de calentadoras, de las antorchas, de generadores portátiles, o de otras fuentes de ignición. Todo almacenamiento del combustible debe ser de acuerdo con federal, el estado, o las administración local que tienen jurisdicción.</p> <p>Nunca movimiento ni maneja calentadora mientras todavía caliente.</p> <p>SIEMPRE mantenga la calentadora en una superficie de establo y nivel. SIEMPRE mantenga a niños y animales lejos de calentadora.</p> <p>!NO utilice Filtraciones paraverificar la presencia de fugas! Siga la sección en este manual que se llama Verificar para Filtraciones.</p>
<p>RIESGO DE QUEMADURAS</p> 	<p>La herida grave podría ocurrir de tocar partes metálicas expuestas. Estas áreas pueden quedarse caliente durante un tiempo después de que la calentadora sea apagada.</p>	<p>Asegurarse que ninguna parte del cuerpo o de otros materiales entre en contacto con las partes metálicas expuestas del compresor de aire.</p>



ADVERTENCIA: NUNCA DEJE DESATENDIDA LA CALENTADORA MIENTRAS ESTE ENCENDIDO O ESTE CONECTADA A UNA FUENTE ELÉCTRICO/ DE ALIMENTACIÓN, O CUANDO ESTE CONECTADA A UNA FUENTE DE COMBUSTIBLE.


ADVERTENCIAS IMPORTANTES DE SEGURIDAD

 **NUNCA UTILICE EL CALENTADOR EN UBICACIONES QUE CONTIENEN O PUEDAN CONTENER COMBUSTIBLES VOLÁTILES O EN SUSPENSIÓN EN EL AIRE, O PRODUCTOS TALES COMO GASOLINA, SOLVENTES, DILUYENTES DE PINTURA, PARTÍCULAS DE POLVO O SUSTANCIAS QUÍMICAS DESCONOCIDAS.**

 **SI NO SE OBSERVA EXACTAMENTE LA INFORMACIÓN CONTENIDA EN ESTE MANUAL, PUEDE PRODUCIRSE UN INCENDIO O UNA EXPLOSIÓN QUE, A SU VEZ, PUEDE OCASIONAR DAÑOS MATERIALES, LESIONES PERSONALES O PÉRDIDA DE VIDAS.**

- **NO GUARDE NI UTILICE GASOLINA U OTROS GASES Y LÍQUIDOS INFLAMABLES CERCA DE ESTE O CUALQUIER OTRO ARTEFACTO.**

- **NO DEBE GUARDARSE CILINDROS DE PL DESCONECTADOS CERCA DE ESTE O CUALQUIER OTRO ARTEFACTO.**

 **ADVERTENCIA DE LA PROPUESTA 65: LOS COMBUSTIBLES UTILIZADOS EN LOS ARTEFACTOS QUE FUNCIONAN CON GAS, MADERA O ACEITE Y LOS PRODUCTOS DE COMBUSTIÓN DE ESOS COMBUSTIBLES CONTIENEN SUSTANCIAS QUÍMICAS QUE EL ESTADO DE CALIFORNIA RECONOCE COMO CAUSANTES DE CÁNCER, MALFORMACIONES CONGÉNITAS Y OTROS DAÑOS REPRODUCTIVOS.**

 **ADVERTENCIA NO PARA ADENTRO, USO AFUERA SOLAMENTE**

 **¡GUARDE ESTAS INSTRUCCIONES!** 

ADVERTENCIA

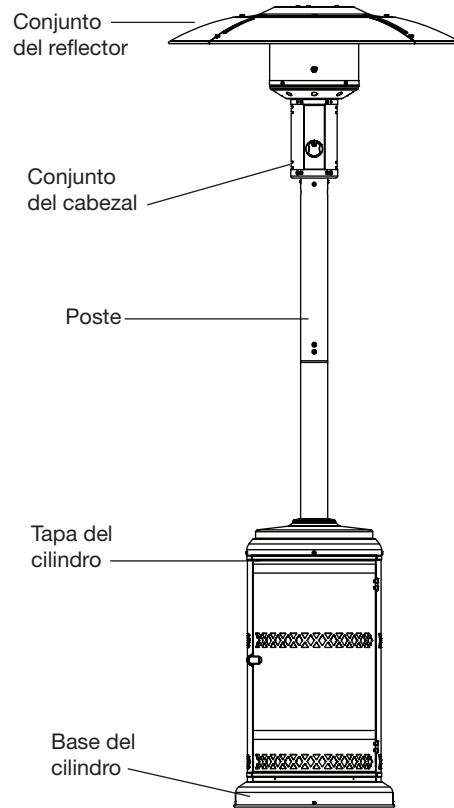
**LAS PAGINAS SIGUIENTES CONTIENEN INSTRUCCIONES DE OPERACION Y MANTENIMIENTO
NO TRATE DE OPERAR ESTA LAVADORA A PRESION HASTA QUE HAYA LEIDO Y ENTENDIDO TODAS LAS PRECAUCIONES DE INSTRUCCIONES DE SEGURIDAD LISTADAS EN ESTE MANUAL.**

¡¡LA OPERACION INCORRECTA DE ESTA UNIDAD PUEDE CAUSAR LESIONES GRAVES!!

¡¡DE NINGUNA MANERA ALTERE O MODIFIQUE ESTE EQUIPO!!

ADVERTENCIA: NUNCA DEJE DESATENDIDA LA CALENTADORA MIENTRAS ESTE ENCENDIDO O ESTE CONECTADA A UNA FUENTE ELÉCTRICA/DE ALIMENTACIÓN, O CUANDO ESTE CONECTADA A UNA FUENTE DE COMBUSTIBLE.

CARACTERÍSTICAS



CARACTERÍSTICAS

Los Calentadores de propano para patios Dayton incluyen características de seguridad, tales como un interruptor antiinclinación y un interruptor de apagado automático. Las características de los Calentadores de propano para patios Dayton se muestran

ESPECIFICACIONES

Modelo	MH-0040-PM10
Rating BTU/Hr	40,000
Combustible	Propane LP
Presion de Suministro	Max. 1722 kPa,
Presion en el multiple	82,1 cm W.C.
Altrua	2.6 m
Diametro	82.1 cm
Peso Neto de la unidad	26.8 Kg
Cilindro Requerido	20 libras

INFORMACIÓN DE SEGURIDAD GENERAL

⚠️ ADVERTENCIA: EL USO IMPROPIO DE ESTA CALENTADORA PUEDE RESULTAR CON HERIDA O MUERTE GRAVES DE QUEMADURAS, EL FUEGO, LA EXPLOSION, GOLPE ELECTRICO Y/O ENVENENAMIENTO DE MONOXIDO DE CARBONO

Lea detenida y completamente este Manual del usuario antes de intentar usar o darle mantenimiento a este calentador. El uso inadecuado del calentador puede ocasionar lesiones graves o la muerte debido a incendio, explosión o envenenamiento por monóxido de carbono.

Toda posible circunstancia que podría implicar un peligro no puede ser anticipada. Las advertencias que aparecen en este manual y en la unidad no cubren por tanto todo. Si se utiliza un procedimiento, método de trabajo o técnica de operación no específicamente recomendado por Pinnacle, usted deberá asegurarse que es seguro para usted y para otros. También deberá asegurarse que no se dañará el equipo ni se hará éste inseguro por el método de operación o mantenimiento que usted elija.

INFORMACIÓN DE SEGURIDAD GENERAL

1. Mantenga los combustibles sólidos, tales como materiales de construcción, papel o cartón, a una distancia segura del calentador según se recomienda en las instrucciones de este manual (al menos a 0.6 m de distancia de los lados del conjunto del cabezal y a 1 m de la parte superior del calentador. Consulte).
2. Estos calentadores tienen una certificación de diseño de calentadores infrarrojos a gas para patios bajo las normas CSA 2901-81.
3. Este calentador está caliente cuando se utiliza. Para evitar quemaduras, no permita que la piel expuesta toque las superficies calientes. No mueva el calentador cuando esté en uso O durante 45 minutos como mínimo después de usarlo.
4. Mantenga todos los materiales combustibles tales como muebles, almohadas, ropas de cama, papeles, vestimentas y cortinas por lo menos a 0.6 m de distancia de los lados y a 1 m de la parte superior del conjunto del cabezal.
5. No use ningún calentador si tiene el regulador dañado, o después de que el calentador ya no funcione correctamente o se haya caído o haya sufrido cualquier tipo de daño. Envíe el calentador a un centro de servicio autorizado para su inspección, o ajuste mecánico, o reparación.
6. No utilice este calentador en áreas residenciales o domésticas. Para uso en EXTERIORES solamente. Si se almacena en interiores, desconecte y deje afuera el cilindro de PL.
7. Nunca reemplace el regulador con un regulador diferente al regulador de repuesto sugerido por la fábrica.
8. Este calentador debe sujetarse o moverse adentro si la velocidad de los vientos es superior a 35 kilómetros por hora, a fin de evitar que el calentador se dañe.
9. No inserte ni permita que objetos extraños entren en las aberturas de ventilación o escape, ya que esto podría causar un incendio o daños al calentador.
10. No pinte la malla del emisor de calor, panel de control ni el conjunto del reflector.
11. Utilice este calentador sólo como se describe en este manual. Cualquier otro uso no recomendado por el fabricante podría causar un incendio o lesiones a las personas.
12. Asegúrese que el calentador se utilice donde haya disponible una ventilación de aire fresco.
13. No modifique ni altere este calentador de manera alguna, ni haga funcionar un calentador que haya sido modificado. Por ejemplo, no utilice el calentador sin el conjunto del reflector ni la malla del emisor de calor.
14. Es imposible anticipar el uso que se le pueda dar al calentador. Consulte con las autoridades de seguridad de incendios de su localidad si tiene alguna duda sobre el uso de este calentador.
15. Asegúrese que el calentador esté colocado en una superficie sólida y nivelada.
16. No acorte el conjunto del poste del quemador.

EL CILINDRO DE PRÓPANO (LP) TAMBIÉN DEBE SER EQUIPADO CON LO SIGUIENTE:

1. Un cuello para proteger la válvula de gas.
2. Una válvula de cierre que termina una salida de válvula de cilindro de LP como especificado en el Estándar Nacional Americano para Salidas de Válvula de Bombona de Gas Comprimidas y Uniones de Admisión.
3. Una válvula de alivio de seguridad que tiene comunicaciones directas con el espacio de vapor del cilindro de LP.
4. Un arreglo de retirada de vapor.

Usted tiene que proporcionar el gas de propano y los cilindros. Solo utilice esta calentadora con un sistema de retirada de vapor propano. Refiérase al Capítulo 5 del Estándar del Almacenaje y Manejo del Gas de Petróleo Licuado, ANSI/NFPA 58. La biblioteca local o el cuerpo de bomberos deben tener este folleto.

MONTAJE MH-0040-PM10 (ANTES DE NÚMERO DE SERIE 5450 1014 00001)

⚠ ADVERTENCIA: NUNCA DEJE DESATENDIDA LA CALENTADORA MIENTRAS ESTE ENCENDIDO O ESTE CONECTADA A UNA FUENTE ELÉCTRICO/ DE ALIMENTACIÓN, O CUANDO ESTE CONECTADA A UNA FUENTE DE COMBUSTIBLE.

MONTAJE DEL CALENTADOR

HERRAMIENTAS NECESARIAS

Llave de 7/16 pulg. Llave de extremo abierto de 3/8 pulg. Llave de boca ajustable de 203 mm de largo Destornillador de cabeza Phillips Solución para detectar fugas

1. **instale el poste en el conjunto de la base** Instale el Poste en las monturas para el poste usando Pernos M5 x 8 (6 piezas) y Arandelas de 5 mm (6 piezas).
2. **Instale la cubierta del cilindro.** Instale la Cubierta del cilindro en las monturas del poste.
3. Conecte el poste superior con el poste más bajo por cuatro M4 x 8 pernos.
4. **Instale el conjunto del cabezal en el poste.** Inserte la Manguera de gas en el Poste, luego monte el Conjunto del cabezal. Inserte el Conjunto del cabezal en el Poste. Apriete firmemente, usando Pernos M5 x 12 (4 piezas).
5. **Montaje del reflector.** Instale la Tapa del reflector en la parte superior del reflector (4 piezas) usando los Pernos M6 x 10 mm (12 piezas), las Arandelas de 6 mm (12 piezas) y las Tuercas M6 (12 piezas).
6. **Instale el conjunto del reflector en la parte superior del conjunto del cabezal,** Monte el Conjunto del reflector encima del Conjunto del cabezal usando Pernos de M6 x 10 (3 piezas), Arandelas de 6 mm (3 piezas).
7. **Conecte la línea de gas al cilindro de pl.** Conecte la Manguera de gas en el Regulador usando la llave de boca abierta de 3/8 pulgada y la llave ajustable y fijar con la fijación de la cadena. Conecte el Regulador en el cilindro de PL. Apriete el regulador firmemente, luego coloque el cilindro de PL en el plato del Conjunto de la base.

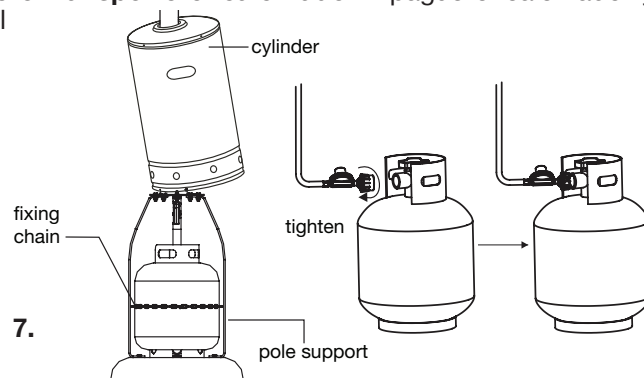
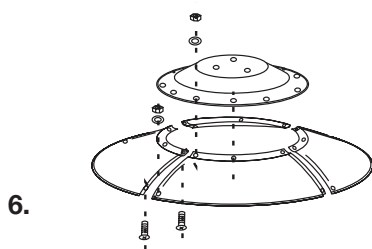
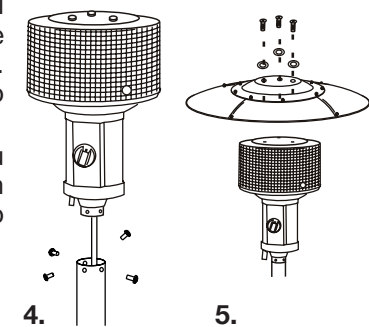
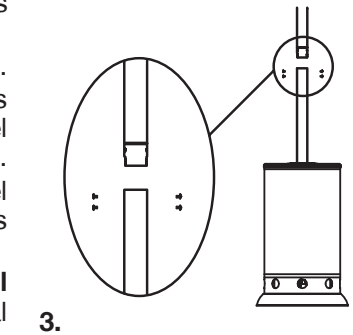
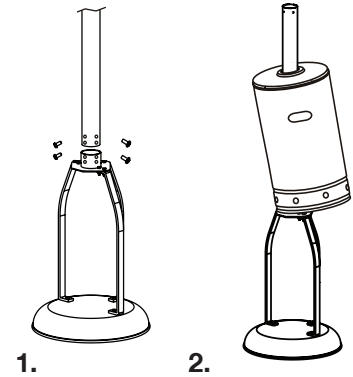
8. **Revise para ver si hay fugas.** Todas las conexiones de fábrica de su Calentador para patio han sido revisadas para garantizar que no tengan fugas. Para verificar la conexión de la Manguera de gas / Regulador / cilindro de PL:

1. Prepare una solución de prueba de fuga en la forma siguiente: mezcle 1 parte de jabón líquido de vajillas con 3 partes de agua.
2. Con una cuchara, vierta varias gotas de la solución (o use una botella atomizadora) en la conexión de Manguera de gas y Regulador o en la conexión de Regulador y Cilindro de PL.
3. Inspeccione las conexiones y vea si hay burbujas.
4. Si no aparecen burbujas, la conexión es buena. !NO utilice fuego para verificar la presencia de fugas!
5. Si aparecen burbujas, entonces hay una fuga. Afloje y vuelva a apretar la conexión en la cual hay burbujas.

9. **Descienda la cubierta del cilindro de pl sobre la base del cilindro.** Descienda la cubierta del cilindro de PL sobre la Base del cilindro..

10. **Desconecte el cilindro de pl cuando almacene o transporte el calentador.** Apague el calentador y cierre la válvula en el cilindro de PL. Desconecte el Regulador y retire el cilindro de PL.

NOTA: Apague la válvula en el cilindro de gas cuando la calentadora no está utilizada.



MONTAJE MH-0040-PM10 (DESPUÉS DE NÚMERO DE SERIE 5450 1014 00001)

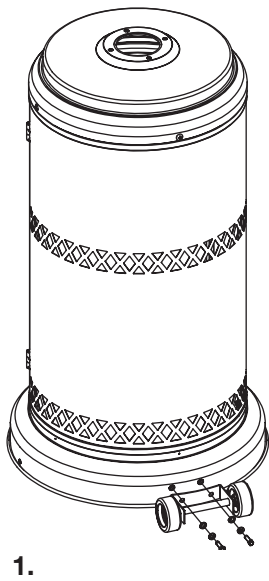
⚠ ADVERTENCIA: NUNCA DEJE DESATENDIDA LA CALENTADORA MIENTRAS ESTE ENCENDIDO O ESTE CONECTADA A UNA FUENTE ELÉCTRICO/ DE ALIMENTACIÓN, O CUANDO ESTE CONECTADA A UNA FUENTE DE COMBUSTIBLE.

MONTAJE DEL CALENTADOR

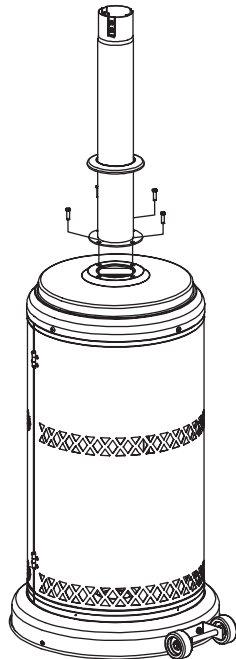
HERRAMIENTAS NECESARIAS

Llave de 7/16 pulg. Llave de extremo abierto de 3/8 pulg. Llave de boca ajustable de 203 mm de largo Destornillador de cabeza Phillips Solución para detectar fugas

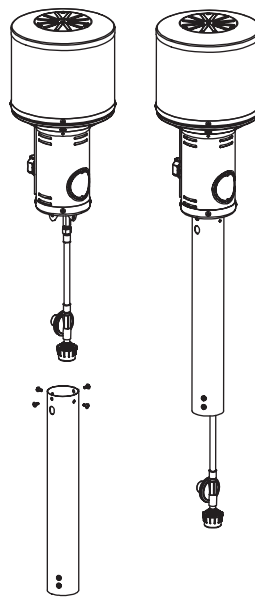
1. Conecte el conjunto de la rueda con arandelas de 2x 6mm/ arandelas de seguridad de 2x 6mm / tornillos de 2x M6x20
2. **Instale el poste en el conjunto de la base** Instale el Poste en las monturas para el poste usando Pernos M6 x 20 (4 piezas). Utilice tapa de la brida después de apretar los pernos.
3. **Instale el conjunto del cabezal en el poste.** Inserte la Manguera de gas en el Poste, luego monte el Conjunto del cabezal. Inserte el Conjunto del cabezal en el Poste. Apriete firmemente, usando Pernos M5 x 12 (4 piezas).
4. Conecte el poste superior con el poste más bajo por sies M4 x 8 pernos.



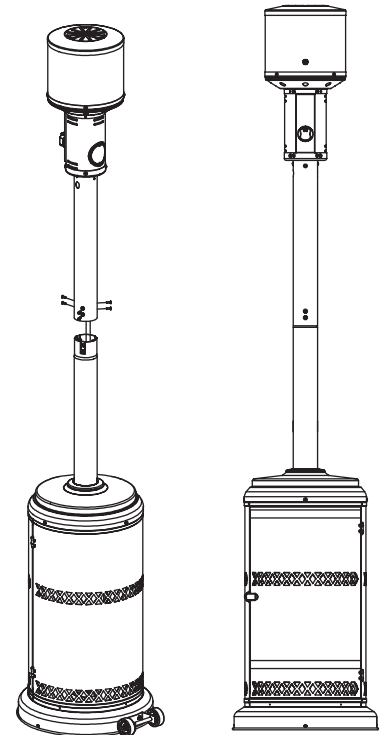
1.



2.

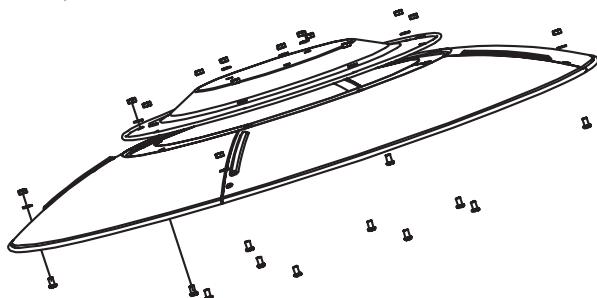


3.

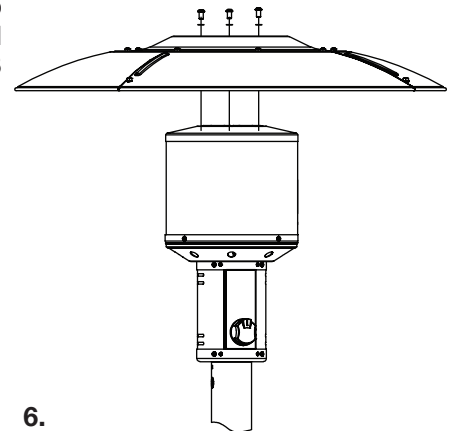


4.

5. **Montaje del reflector.** Instale la Tapa del reflector en la parte superior del reflector (4 piezas) usando los Pernos M6 x 10 mm (12 piezas), las Arandelas de 6 mm (12 piezas) y las Tuercas M6 (12 piezas).
6. **Instale el conjunto del reflector en la parte superior del conjunto del cabezal,** Monte el Conjunto del reflector encima del Conjunto del cabezal usando Pernos de M6 x 10 (3 piezas), Arandelas de 6 mm (3 piezas).



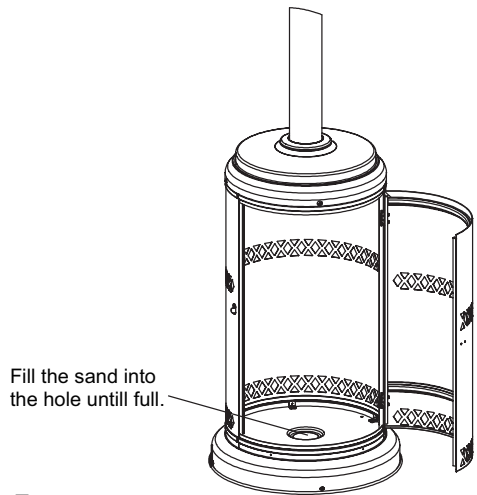
5.



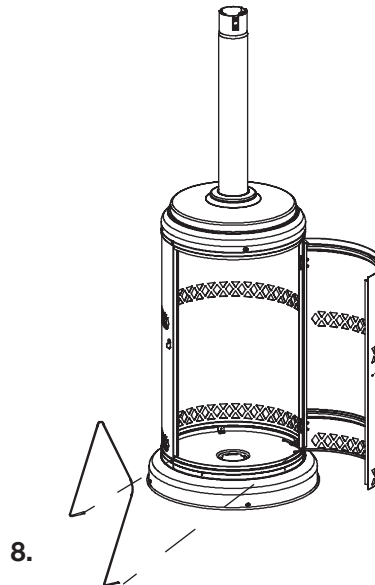
6.

MONTAJE (DESPUÉS DE NÚMERO DE SERIE 5450 1014 00001)

7. Llene la base con arena como un contrapeso.



7.

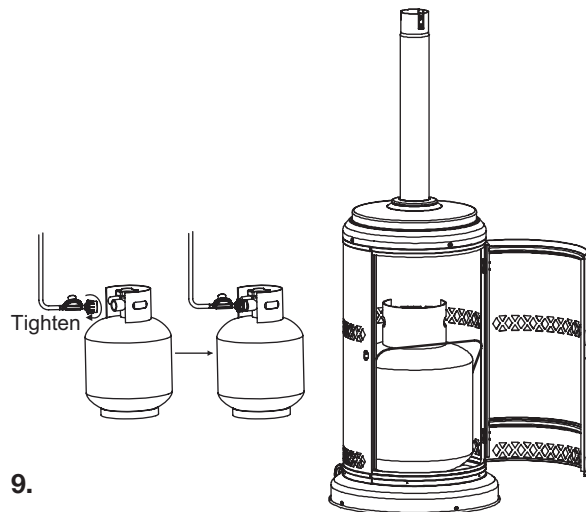


8.

8. Instale el protector del cilindro a la base
9. **Conecte la línea de gas al cilindro de pl.** Conecte la Manguera de gas en el Regulador usando la llave de boca abierta de 3/8 pulgada y la llave ajustable. Conecte el Regulador en el cilindro de PL. Apriete el regulador firmemente, luego coloque el cilindro de PL en el plato del Conjunto de la base.

NOTA : Todos los procedimientos de prueba de fugas deben ser completados antes de uso.

10. **Revise para ver si hay fugas.** Todas las conexiones de fábrica de su Calentador para patio han sido revisadas para garantizar que no tengan fugas. Para verificar la conexión de la Manguera de gas / Regulador / cilindro de PL:



9.

- a. Prepare una solución de prueba de fuga en la forma siguiente: mezcle 1 parte de jabón líquido de vajillas con 3 partes de agua.
- b. Con una cuchara, vierta varias gotas de la solución (o use una botella atomizadora) en la conexión de Manguera de gas y Regulador o en la conexión de Regulador y Cilindro de PL.
- c. Inspeccione las conexiones y vea si hay burbujas.
- d. Si no aparecen burbujas, la conexión es buena. !NO utilice fuego para verificar la presencia de fugas!
- e. Si aparecen burbujas, entonces hay una fuga. Afloje y vuelva a apretar la conexión en la cual hay burbujas.

11. **Cierre la puerta de acceso en la cubierta de la base.**
12. **Desconecte el cilindro de pl cuando almacene o transporte el calentador.** Apague el calentador y cierre la válvula en el cilindro de PL. Desconecte el Regulador y retire el cilindro de PL.
NOTA: Apague la válvula en el cilindro de gas cuando la calentadora no está utilizada.

OPERACIÓN

Los Calentadores de propano para patios Dayton están diseñados para calentar patios, terrazas, termas y piscinas exteriores, así como áreas de trabajo abiertas.

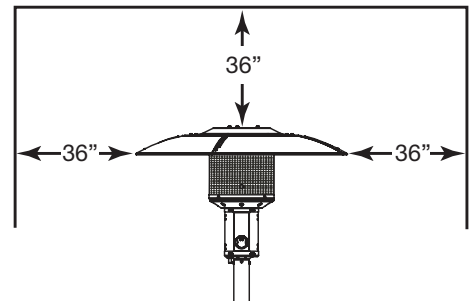
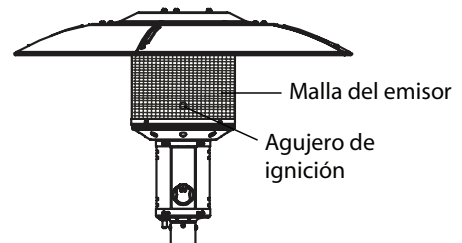
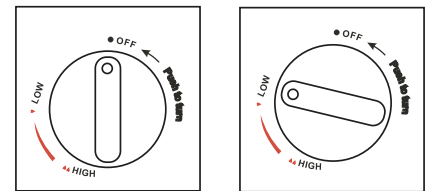
⚠️ ADVERTENCIA ANTES DE ABRIR EL SUMINISTRO, DE GAS SU CALENTADOR DE PROPANO PARA PATIOS MI-T_M HA SIDO DISEÑADO Y APROBADO SOLO PARA USO EN EXTERIORES. NO UTILICE ESTE CALENTADOR EN EL INTERIOR DE UN EDIFICIO O CUALQUIER ÁREA CERRADA.

⚠️ ADVERTENCIA: ANTES DE ENCENDER, EL CALENTADOR DEBE SER INSPECCIONADO COMPLETAMENTE ANTES DE CADA USO, Y POR UNA PERSONA CALIFICADA AL MENOS UNA VEZ AL AÑO.

Si va a volver a encender un calentador caliente, espere al menos 5 minutos.

INSTRUCCIONES DE ENCENDIDO

- 1) Examine la asamblea del regulador y la manguera antes de cada uso de la calentadora.
- 2) Gire la perilla de control hasta la posición de apagado (OFF).
- 3) Abra totalmente la válvula de gas.
- 4) Empuje y gire la perilla de control a la dirección antihorario a la posición ALTA (HIGH). Si desea una temperatura más baja, empujé la perilla de control y gírela a la derecha a la posición BAJA (LOW).
- 5) Una vez que se encienda el quemador, mantenga oprimida la perilla de control durante 30 segundos como mínimo. Después de 30 segundos, suelte la perilla de control.
- 6) Si el quemador no permanece encendido, repita los pasos 3 y 4 después de 5 minutos.
- 7) Si el quemador aún no permanece encendido, entonces:
 - a) Empuje hacia dentro la perilla de control del gas y gírela hacia la izquierda a la posición baja (LOW).
 - b) Mantenga oprimida la perilla de control, ponga un encendedor de boquilla larga en el agujero de ignición en la malla del emisor para encender el quemador.
 - c) Repita el paso 4.



AVISO: Se recomienda verificar visualmente el patrón de llama en la Malla del emisor siempre que se use el calentador. Normalmente la llama del quemador es azul, pero una pequeña llama amarilla es aceptable. Si las llamas se extienden más allá de la superficie de la Malla del emisor o se está acumulando una mancha negra en la Malla del emisor o en el reflector, apague el calentador. Consulte la sección Identificación de problemas en la página 8. No use el calentador hasta que éste haya recibido mantenimiento o haya sido reparado.

⚠️ ADVERTENCIA NO TOQUE NI MUEVA EL CALENTADOR DURANTE AL MENOS 45 MINUTOS DESPUÉS DE USARLO. PERMITA QUE EL EMISOR Y EL REFLECTOR SE ENFRÍEN ANTES DE TOCARLOS.

⚠️ ADVERTENCIA SI EN CUALQUIER MOMENTO USTED NO PUEDE ENCENDER EL QUEMADOR Y HUELE GAS, ESPERE 5 MINUTOS PARA PERMITIR QUE EL GAS SE DISIPE ANTES DE INTENTAR ENCENDER NUEVAMENTE EL CALENTADOR.

OPERACIÓN

DESPUES DE ENCENDER POR PRIMERA VEZ

Es posible que el quemador emita ruidos cuando se enciende inicialmente. Para eliminar el ruido excesivo del quemador, ajuste la Perilla de control en “LOW”, luego gire la Perilla de control al nivel de calor deseado.

Es posible que aparezca humo blanco alrededor de la Malla del emisor durante los primeros tantos minutos del encendido inicial. Esto sucede porque el quemador quema el aceite utilizado en la fabricación. El humo y el olor se disiparán después de aproximadamente 30 minutos.

CUANDO EL CALENTADOR ESTA ENCENDIDO

La Malla del emisor se tonará roja brillante debido al intenso calor. Es posible que el quemador muestre lenguas de llama azules. Estas llamas no deben ser amarillas ni deben producir humo negro denso, lo cual indica que el flujo de aire a través de los quemadores está obstruido.

Si la llama es muy baja, es porque no hay suficiente presión. Revise su cilindro de PL.

REENCENDIDO

1. Gire la Perilla de control a la posición “OFF” (apagado).
2. Espere al menos 5 minutos antes de intentar volver a encender el piloto.
3. Repita los pasos comenzando con el paso 2 bajo “Instrucciones de encendido”.

INSTRUCCIONES DE APAGADO

1. Empuje hacia adentro y gire la Perilla de control a la posición “OFF” (apagado).
2. Gire la válvula de gas en el cilindro de PL hacia la derecha hasta que esté apretada para cerrar la válvula.

⚠ ADVERTENCIA SIEMPRE ASEGÚRESE QUE LA PERILLA DE CONTROL ESTÉ EN OFF (APAGADO) Y EL CILINDRO ESTÉ DESCONECTADO (VÁLVULA CERRADA) CUANDO DEJE EL CALENTADOR. NUNCA DEJE DESATENDIDO ESTE CALENTADOR PARA PATIOS MIENTRAS ESTÉ FUNCIONANDO.

AVISO: Después de usarlo, es normal que se produzca un poco de descoloración en la malla del emisor.

⚠ PELIGRO NO TOQUE NI MUEVA EL CALENTADOR CUANDO ÉSTE ESTÁ FUNCIONANDO O DURANTE AL MENOS 45 MINUTOS DESPUÉS DE USARLO. PODRÍAN PRODUCIRSE LESIONES GRAVES O INCLUSO LA MUERTE.

⚠ ADVERTENCIA: NUNCA DEJE DESATENDIDA LA CALENTADORA MIENTRAS ESTE ENCENDIDO O ESTE CONECTADA A UNA FUENTE ELÉCTRICO/ DE ALIMENTACIÓN, O CUANDO ESTE CONECTADA A UNA FUENTE DE COMBUSTIBLE.

MANTENIMIENTO

Para disfrutar de años de rendimiento de su calentador, asegúrese de realizar las siguientes actividades de mantenimiento en forma regular:

1. Se recomienda verificar visualmente el patrón de llama en la Malla del emisor (Figura 14) siempre que se use el calentador. Normalmente la llama del quemador es azul, pero una pequeña llama amarilla es aceptable.
2. Mantenga limpias las superficies exteriores, usando agua jabonosa tibia. Nunca use agentes de limpieza inflamables o corrosivos.
3. ASEGURESE de mantener seca en todo momento el área alrededor del conjunto del piloto y el quemador. Si el control de gas es expuesto al agua en cualquier forma, no intente utilizarlo. Es posible que tenga que ser reemplazado.
4. El flujo de aire debe estar INOBSTRUIDO. Mantenga limpios los controles, el quemador y las vías de aire circulante. Los signos de una posible obstrucción incluyen:
 - a. Olor a gas con un color amarillo intenso en las puntas de las llamas.
 - b. El calentador no alcanza la temperatura deseada.
 - c. La incandescencia del calentador es demasiado dispareja.
 - d. El calentador hace ruido de estallidos.
5. Las arañas e insectos pueden hacer nidos en el quemador o en los orificios. Esta peligrosa condición puede dañar el calentador y hacerlo peligroso para usarlo. Limpie los agujeros del quemador usando un limpiador de tubos para servicio pesado. Se puede usar aire comprimido para facilitar la limpieza de las partículas pequeñas.
6. Las acumulaciones de carbono pueden crear un peligro de incendio. Limpie el domo y el emisor con agua jabonosa tibia si se forma cualquier acumulación de carbono. Al menos UNA VEZ AL AÑO inspeccione la sección de la manguera que está dentro del poste.
7. En los ambientes de aire salado (tal como aquellos cerca del mar) se produce corrosión en forma más rápida que lo normal. Revise frecuentemente para ver si hay áreas corroídas y repárelas prontamente.

ALMACENAMIENTO

ENTRE USOS

1. Gire la Perilla de control a la posición OFF (apagado)
2. Gire la válvula de control en el cilindro de PL a OFF (cerrada).
3. Almacene su Calentador para patios en posición vertical, en un lugar seco que esté protegido contra el clima inclemente tal como la lluvia, aguanieve, granizo, nieve, polvo y residuos. NO almacene el Calentador para patios en un lugar interior con el cilindro de PL aún conectado.
4. Si desea, cubra el calentador para proteger sus superficies externas y ayudar a impedir que se acumulen residuos en las vías de aire.

DURANTE PERIODOS PROLONGADOS O CUANDO TRANSPORTE LA UNIDAD

1. Gire la perilla de control a la posición OFF (apagado)
2. Desconecte el cilindro de PL y muévalo a un lugar exterior bien ventilado. No almacene el cilindro de PL en un lugar interior.
3. Almacene su Calentador para patios en posición vertical, en un lugar seco que esté protegido contra el clima inclemente tal como la lluvia, aguanieve, granizo, nieve, polvo y residuos.
4. Si desea, cubra el calentador para proteger sus superficies externas y ayudar a impedir que se acumulen residuos en las vías de aire.

AVISO: Espere hasta que el Calentador para patios se enfríe totalmente antes de cubrirlo..



ADVERTENCIA: NUNCA DEJE DESATENDIDA LA CALENTADORA MIENTRAS ESTE ENCENDIDO O ESTE CONECTADA A UNA FUENTE ELÉCTRICO/ DE ALIMENTACIÓN, O CUANDO ESTE CONECTADA A UNA FUENTE DE COMBUSTIBLE.

IDENTIFICACIÓN DE PROBLEMAS

SINTOMA	CAUSA(S) POSIBLE(S)	MEDIDA CORRECTIVA
El quemador no enciende	<ol style="list-style-type: none">1. La presión está baja2. Orificio obstruido3. La válvula de control no está abierta (ON)4. Termopar averiado5. El conjunto de la luz piloto está doblado o no está en el lugar correcto.	<ol style="list-style-type: none">1. El cilindro de PL está casi vacío. Vuelva a llenar el cilindro de PL2. Retire y limpie, y reemplácelo si es necesario3. ABRA la válvula4. Reemplace el termopar5. Ponga el piloto en la posición correcta e intente nuevamente



GARANTIA LIMITADA

Garantía limitada de protemp. Por un año. Mi-T-M le garantiza al Usuario original que los modelos tratados en este manual de los calentadores de aceite portátiles Protemp® están libres de defectos en la mano de obra o el material, cuando se les somete a uso Normal, por un año a partir de la fecha de compra. Cualquier parte que se halle defectuosa, ya sea en el material o en la mano de obra, y sea devuelta (con los costos de envío pagados por Adelantado) a un centro de servicio autorizado designado por Mi-T-M, será reparada o reemplazada (no Existe otra posibilidad) según lo determine Mi-T-M. Para obtener información sobre los procedimientos de reclamo cubiertos en la garantía limitada, vea la sección "atención oportuna" que aparece más adelante. Esta garantía limitada confiere al comprador derechos legales específicos que varían de jurisdicción a jurisdicción.

Límites de responsabilidad. En la medida en que las leyes aplicables lo permitan, la responsabilidad de Mi-T-M por los daños emergentes o incidentales está expresamente excluida. La responsabilidad de Mi-T-M expresamente está limitada y no puede exceder el precio de compra pagado por el artículo. Exclusión de responsabilidad de la garantía. Se han hecho esfuerzos diligentes para proporcionar información e ilustraciones apropiadas sobre el producto en este manual; sin embargo, esta información y las ilustraciones tienen como único propósito la identificación del producto y no EX-PRESAN NI IMPLICAN GARANTÍA DE QUE LOS PRODUCTOS SEAN VENDIBLES O ADECUADOS PARA UN PROPÓSITO EN PARTICULAR NI QUE SE AJUSTAN NECESARIAMENTE A LAS ILUSTRACIONES O DESCRIPCIONES. CON EXCEPCIÓN DE LO QUE SE ESTABLECE A CONTINUACIÓN, MI-T-M NO HACE NI AUTORIZA NINGUNA GARANTÍA O AFIRMACIÓN DE HECHO, EXPRESA O IMPLÍCITA, QUE NO SEA ESTIPULADA EN LA "GARANTÍA LIMITADA" ANTERIOR. Consejo Técnico y Recomendaciones, Exclusiones de Responsabilidad. A pesar de las prácticas, negociaciones o usos comerciales realizados previamente, las ventas no deberán incluir el suministro de consejo técnico o asistencia o diseño del sistema. Mi-T-M no asume ninguna obligación o responsabilidad por recomendaciones, opiniones o consejos no autorizados sobre la elección, instalación o uso de los productos. Adaptación del Producto. Muchas jurisdicciones tienen códigos o regulaciones que rigen la venta, la construcción, la instalación y/o el uso de productos para ciertos propósitos que pueden variar con respecto a los aplicables a las zonas vecinas. Si bien se trata de que los productos Mi-T-M cumplan con dichos códigos, no se puede garantizar su conformidad y no se puede hacer responsable por la forma en que se instale o use su producto. Antes de comprar y usar el producto, revise su aplicación y todos los códigos y regulaciones nacionales y locales aplicables y asegúrese de que el producto, la instalación y el uso los cumplan. Ciertos aspectos de limitación de responsabilidad no se aplican a productos al consumidor; es decir (a) algunas jurisdicciones no permiten la exclusión ni limitación de daños incidentales o consecuentes, de modo que las limitaciones o exclusiones anteriores quizás no apliquen en su caso; (b) asimismo, algunas jurisdicciones no permiten limitar el plazo de una garantía implícita, por lo tanto, la limitación anterior quizás no aplique en su caso; y (c) por ley, mientras la Garantía Limitada esté vigente no podrán excluirse ni limitarse en modo alguno ninguna garantía implícita de comercialización o de idoneidad para un propósito en particular aplicables a los productos al consumidor adquiridos por éste. Atención Oportuna. Se hará un esfuerzo de buena fe para corregir puntualmente, o hacer otros ajustes, con respecto a cualquier producto que resulte defectuoso dentro de los términos de esta garantía limitada. En el caso de que encuentre un producto defectuoso y que esté cubierto dentro de los límites de esta garantía haga el favor de escribir primero, o llame, al distribuidor a quien le compró el producto. El distribuidor le dará las instrucciones adicionales. Si no puede resolver el problema en forma satisfactoria, escriba a Mi-T-M a la dirección a continuación, dando el nombre del distribuidor, su dirección, la fecha y el número de la factura del distribuidor y describa la naturaleza del defecto. La propiedad del artículo y el riesgo de pérdida pasan al comprador en el momento de la entrega del artículo a la compañía de transporte. Si el producto se daña durante el transporte, debe presentar su reclamo a la compañía transportista.

**For Service or Warranty Consideration, contact
Mi-T-M® Corporation, 8650 Enterprise Drive, Peosta, IA 52068
563-556-7484 / 800-553-9053 / Fax 563-556-1235
Monday - Friday 8:00 a.m. - 5:00 p.m. CST**

Manufactured by Shinerich for MI-T-M
8650 Enterprise Drive, Peosta IA 52068
563-556-7484/ Fax 563-556-1235