

Mi-T-M[®] *Outdoor*[™]

Propane
Cabinet Heaters
OPERATOR'S MANUAL
MH-0018-0D10



CAUTION

**RISK OF INJURY! READ ENTIRE MANUAL
BEFORE OPERATING! THIS MANUAL IS AN IMPORTANT PART
OF THE HEATER AND MUST REMAIN WITH THIS UNIT!**

TABLE OF CONTENTS

INTRODUCTION..... 3

IMPORTANT SAFETY INSTRUCTIONS..... 4

HEATER SPECIFICATIONS..... 8

GENERAL SAFETY INFORMATION 9

 PROPANE (LP) SUPPLY..... 10

 LP CHARACTERISTICS 10

 PIEZO IGNITION..... 11

 TIP SWITCH SHUT-OFF SYSTEM..... 11

 ODS (OXYGEN DEPLETION SENSOR) 11

 ADJUSTABLE INPUT RATINGS..... 11

FEATURES 11

ASSEMBLY..... 12

 UNPACKING AND ASSEMBLY..... 12

 VENTILATION 12

 CONNECTING TO GAS SUPPLY 12

 LIGHTING INSTRUCTIONS..... 13

 TEST FIRING HEATER..... 13

 SHUTDOWN INSTRUCTIONS..... 13

 MOVING AND POSITIONING THE HEATER..... 13

OPERATION..... 13

MAINTENANCE 14

TROUBLESHOOTING 15

STATEMENT OF WARRANTY..... 16

⚠ GENERAL HAZARD WARNING: FAILURE TO COMPLY WITH THE PRECAUTIONS AND INSTRUCTIONS PROVIDED WITH THIS HEATER, CAN RESULT IN DEATH, OR SERIOUS BODILY INJURY AND PROPERTY LOSS OR DAMAGE FROM HAZARDS OF FIRE, EXPLOSION, BURN, ASPHYXIATION, CARBON MONOXIDE POISONING, AND / OR ELECTRICAL SHOCK.

ONLY PERSONS WHO CAN UNDERSTAND AND FOLLOW THE INSTRUCTIONS SHOULD USE OR SERVICE THIS HEATER.

IF YOU NEED ASSISTANCE OR HEATER INFORMATION SUCH AS AN INSTRUCTIONS MANUAL, LABEL, ETC. CONTACT THE MANUFACTURER.

⚠ WARNING: FIRE, BURN, INHALATION, AND EXPLOSION HAZARD. KEEP SOLID COMBUSTIBLES, SUCH AS BUILDING MATERIALS, PAPER OR CARDBOARD, A SAFE DISTANCE AWAY FROM THE HEATER AS RECOMMENDED BY THE INSTRUCTIONS. NEVER USE THE HEATER IN SPACES WHICH DO OR MAY CONTAIN VOLATILE OR AIRBORNE COMBUSTIBLES, OR PRODUCTS SUCH AS GASOLINE, SOLVENTS, PAINT THINNER, DUST PARTICLES OR UNKNOWN CHEMICALS.

⚠ WARNING: NOT FOR HOME OR RECREATIONAL VEHICLE USE.

This heater is designed and approved for use as a construction heater in accordance with ANSI Z83.7-2011/CSA2.14-2011

⚠ WARNING

Warning: This product contains lead, a chemical known to the State of California to cause birth defects or other reproductive harm.

Wash your hands after handling this product.

⚠ WARNING

This product contains one or more chemicals known to the State of California to cause cancer and birth defects or other reproductive harm.

INTRODUCTION

Congratulations on the purchase of your new Mi-T-M Outdoor® Heater! You can be assured your Mi-T-M Outdoor® Heater was constructed with the highest level of precision and accuracy. Each component has been rigorously tested by technicians to ensure the quality, endurance and performance of this heater.

This operator's manual was compiled for your benefit. By reading and following the simple safety, installation and operation, maintenance and troubleshooting steps described in this manual, you will receive years of trouble free operation from your new Heater. The contents of this manual are based on the latest product information available at the time of publication. The Manufacturer reserves the right to make changes in price, color, materials equipment, specifications or models at any time without notice.



IMPORTANT!

A "DANGER, WARNING or CAUTION" safety warning will be surrounded by a "SAFETY ALERT BOX". This box is used to designate and emphasize Safety Warnings that must be followed when operating this heater. Accompanying the safety warnings are "Signal Words" which designate the degree or level of hazard seriousness. The "Signal Words" used in this manual are as follows:

DANGER: INDICATES AN IMMINENTLY HAZARDOUS SITUATION WHICH, IF NOT AVOIDED, WILL RESULT IN DEATH OR SERIOUS INJURY.

WARNING: INDICATES A POTENTIALLY HAZARDOUS SITUATION WHICH, IF NOT AVOIDED, COULD RESULT IN DEATH OR SERIOUS INJURY.

CAUTION: INDICATES A POTENTIALLY HAZARDOUS SITUATION WHICH, IF NOT AVOIDED MAY RESULT IN MINOR OR MODERATE INJURY OR DAMAGE TO THE HEATER.

The symbols set below are "Safety Alert Symbols". These symbols are used to call attention to items or procedures that could be dangerous to you or other persons using this equipment.



ALWAYS PROVIDE A COPY OF THIS MANUAL TO ANYONE USING THIS EQUIPMENT. READ ALL INSTRUCTIONS IN THIS MANUAL AND ANY INSTRUCTIONS SUPPLIED BY MANUFACTURERS OF SUPPORTING EQUIPMENT BEFORE OPERATING THE HEATER AND ESPECIALLY POINT OUT THE "SAFETY WARNINGS" TO PREVENT THE POSSIBILITY OF PERSONAL INJURY TO THE OPERATOR.

Once the unit has been uncrated, immediately write in the serial number of your unit in the space provided below.

SERIAL NUMBER _____

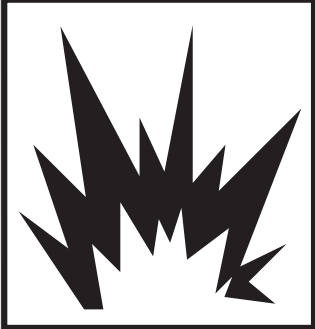


Inspect for signs of obvious or concealed freight damage. If damage does exist, file a claim with the transportation company immediately. Be sure that all damaged parts are replaced and that the mechanical and electrical problems are corrected prior to operation of the unit. If you require service, contact Mi-T-M® Customer Service.

Mi-T-M® Corporation, 8650 Enterprise Drive, Peosta, IA 52068
563-556-7484 / 800-553-9053 / Fax 563-556-1235
Monday - Friday 8:00 a.m. - 5:00 p.m. CST

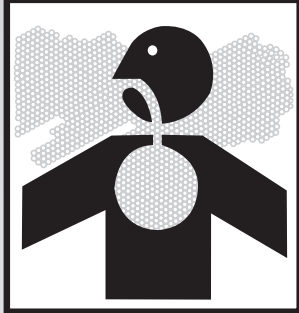
Please have the following information available for all service calls:

1. Model Number
2. Serial Number
3. Date and Place of Purchase


IMPORTANT SAFETY INSTRUCTIONS


Hazard	Potential Consequence	Prevention
<p>RISK OF EXPLOSION OR FIRE</p>  	<p>Serious injury or death may occur from normal electrical sparks in motor and pressure switch.</p> <p>Serious injury may occur if the heater air inlet or outlet is blocked.</p> <p>Serious injury or death may occur, if heater is running while operating.</p> <p>Serious injury may occur if heater is not placed on level surface and is kept away from children and animals.</p>	<p>Always operate heater in a well ventilated area free of flammable vapors, combustible dust, gases or other combustible materials.</p> <p>Never place objects in front of air inlet (rear) or air outlet (front) of heater. Never use duct work in front or at rear of heater. Keep all combustible material away from this heater.</p> <p>This heater is EXTREMELY HOT while in operation.</p> <p>Bulk fuel storage should be a minimum of 25 ft. from heaters, torches, portable generators, or other sources of ignition. All fuel storage should be in accordance with federal, state, or local authorities having jurisdiction.</p> <p>Never move or handle heater while still hot.</p> <p>Always locate heater on a stable and level surface away from children and animals.</p>
<p>RISK OF BURNS</p> 	<p>Serious injury could occur from touching exposed metal parts. These areas can remain hot for some time after the heater is turned off.</p>	<p>Never allow any part of your body or other materials to make contact with any exposed metal parts on the heater.</p>

IMPORTANT SAFETY INSTRUCTIONS

Hazard	Potential Consequence	Prevention
<p>RISK TO BREATHING</p> 	<p>Serious injury or death could occur from failure to provide proper ventilation according to this manual.</p>	<p>This heater is rated at 98% combustion efficiency, but still produces small amounts of carbon monoxide. It is primarily intended for use for temporary heating of buildings under construction, alteration or repair. This appliance does produce small amounts of carbon monoxide. Carbon monoxide is toxic. Humans can tolerate small amounts of carbon monoxide, and precautions should be taken to provide proper ventilation.</p> <p>Early signs of carbon monoxide poisoning resemble the flu. Symptoms of improper ventilation are: * headache * dizziness * burning of the nose and eyes * nausea * dry mouth * sore throat, If you have these symptoms, your heater may not be working properly.</p> <p>People with breathing problems should consult a physician before using the heater.</p> <p>Get fresh air at once! Have the heater serviced. Some people are more affected by carbon monoxide than others. These include pregnant women, those with heart or lung problems, anemia, or those under the influence of alcohol, or at high altitudes.</p> <p>Never use this heater in living or sleeping areas.</p>

IMPORTANT SAFETY INSTRUCTIONS

 **FIRE, BURN, INHALATION, AND EXPLOSION HAZARD. KEEP COMBUSTIBLES, SUCH AS BUILDING MATERIALS, PAPER OR CARDBOARD, A SAFE DISTANCE AWAY FROM THE HEATER AS RECOMMENDED BY THESE INSTRUCTIONS. NEVER USE THE HEATER IN SPACES WHICH CONTAIN PRODUCTS SUCH AS GASOLINE, SOLVENTS, PAINT THINNERS, DUST PARTICLES, VOLATILE OR AIRBORNE COMBUSTIBLES, OR ANY UNKNOWN CHEMICALS. THIS IS AN UNVENTED PORTABLE HEATER. IT USES AIR (OXYGEN) FROM THE AREA IN WHICH IT IS USED. ADEQUATE COMBUSTION AND VENTILATION AIR MUST BE PROVIDED. REFER TO VENTILATION.**

 **CARBON MONOXIDE HAZARD. THIS HEATER PRODUCES CARBON MONOXIDE, WHICH HAS NO ODOR. BURNING THE HEATER IN AN ENCLOSED SPACE CAN KILL YOU. NEVER USE THE HEATER IN ENCLOSED SPACES SUCH AS A TENT, A CAMPER, ANY VEHICLE OR RECREATIONAL VEHICLE (RV), ENCLOSED SHELTER, OR ANY OTHER ENCLOSED AREAS. NOT FOR USE IN RESIDENTIAL LIVING AREAS OR IN NON-ADEQUATELY VENTILATED ENCLOSED SPACES. NEVER BRING OR STORE A PROPANE CYLINDER INDOORS.**

 **WARNING: IF THE INFORMATION IN THIS MANUAL IS NOT FOLLOWED EXACTLY, A FIRE OR EXPLOSION MAY RESULT CAUSING PROPERTY DAMAGE, PERSONAL INJURY OR LOSS OF LIFE.**

DO NOT STORE OR USE GASOLINE OR OTHER FLAMMABLE VAPORS AND LIQUIDS IN THE VICINITY OF THIS OR ANY OTHER APPLIANCE.

AN LP CYLINDER NOT CONNECTED FOR USE SHALL NOT BE STORED IN THE VICINITY OF THIS OR ANY OTHER APPLIANCE.

WHAT TO DO IF THE SMELL OF GAS IS PRESENT:

DO NOT attempt to light heater

Extinguish any open flame

Shut off gas to heater


If odor continues, contact your local gas supplier or fire department.

Do not touch any electric switch, do not use any phone in your building

Immediately call your gas supplier from a neighbors phone. Follow the gas suppliers instructions

If you can not reach your gas supplier, call the fire department

Service must be done by a qualified service agency or the gas supplier.

 **CALIFORNIA RESIDENTS: COMBUSTION BY-PRODUCTS PRODUCED WHEN USING THIS PRODUCT CONTAIN CARBON MONOXIDE, A CHEMICAL KNOWN TO THE STATE OF CALIFORNIA TO CAUSE CANCER AND BIRTH DEFECTS (OR OTHER REPRODUCTIVE HARM). DO NOT OPERATE THIS HEATER UNTIL YOU HAVE READ, AND THOROUGHLY UNDERSTAND THESE SAFETY AND OPERATING INSTRUCTION. FAILURE TO COMPLY WITH THE PRECAUTIONS AND INSTRUCTIONS PROVIDED WITH THIS HEATER CAN RESULT IN DEATH, SERIOUS BODILY INJURY, PROPERTY LOSS OR DAMAGE FROM THE HAZARDS OF FIRE, EXPLOSION, BURNS, ASPHYXIATION OR CARBON MONOXIDE POISONING. ONLY PERSONS WHO CAN READ AND UNDERSTAND THESE INSTRUCTIONS SHOULD USE OR SERVICE THIS HEATER.**

 **WARNING: NOT FOR USE IN HOMES OR RECREATIONAL VEHICLES OR TENTS.**

 **WARNING: NEVER LEAVE HEATER UNATTENDED WHILE BURNING OR WHILE CONNECTED TO A FUEL SOURCE.**

 **! SAVE THESE INSTRUCTIONS !** 



**THE FOLLOWING PAGES CONTAIN OPERATING AND
MAINTENANCE INSTRUCTIONS.**

**DO NOT ATTEMPT TO OPERATE THIS PORTABLE HEATER
UNTIL YOU HAVE READ AND UNDERSTOOD ALL SAFETY
PRECAUTIONS AND INSTRUCTIONS LISTED IN THIS MANUAL.**

**INCORRECT OPERATION OF THIS UNIT CAN CAUSE SERIOUS
INJURY!!**

**DO NOT ALTER OR MODIFY THIS EQUIPMENT
IN ANY MANNER!**

**NEVER LEAVE HEATER UNATTENDED WHILE BURNING OR
WHILE CONNECTED TO A FUEL
SOURCE.**

HEATER SPECIFICATIONS

Model	MH-0018-0D10
Heat Output - Low (BTU)	6,600
Heat Output - Med (BTU)	12,000
Heat Output - High (BTU)	18,000
Heating Area - L / M / H (Sq. Ft.)	210 / 390 / 600
Fuel Consumption - L / M / H (lb./hr.)	.304 / .552 / .828
Required Cylinder Size	20 lb
Max Operating Hours - L / M / H (for 20 lb cylinder)	72 / 36 / 24
Fuel	Propane
Manifold Pressure	11.00" W.C.
Weight (Gross lbs / Net lbs.)	22 / 19.4
Unit Size (with cylinder retainer) (L x W x H) (in.)	15.1 x 17.8 x 24.2
Box Size (L x W x H) (in.)	15.1 x 13.6 x 23

Minimum clearance from Combustibles:	
	MH-0018-0D10
Top	24"
Sides	12"
Front	72"

GENERAL SAFETY INFORMATION

 **WARNING: IMPROPER USE OF THIS HEATER CAN RESULT IN SERIOUS INJURY OR DEATH FROM BURNS, FIRE, EXPLOSION, ELECTRICAL SHOCK AND /OR CARBON MONOXIDE POISONING.**

 **WARNING: NOT FOR USE WITH DUCTWORK.**

 **WARNING: NOT FOR HOME OR RECREATIONAL VEHICLE USE. THE HOSE ASSEMBLY SHALL BE PROTECTED FROM TRAFFIC, BUILDING MATERIAL AND CONTACT WITH HOT SURFACES BOTH DURING USE AND WHILE IN STORAGE.**

IMPORTANT: Read this User's Manual carefully and completely before attempting to operate or service this heater. Improper use of the heater can cause serious injury or death from fire, explosion and carbon monoxide poisoning.

Every possible circumstance that may involve a hazard cannot be anticipated. The warnings in this manual and attached to the unit are therefore not all-inclusive. If a procedure, work method or operating technique not specifically recommended by the manufacturer is used, you must be sure it is safe for you and others. You should also insure that equipment will not be damaged or made unsafe by the operating or maintenance method you choose.

Other standards govern the use of fuel gasses and heat producing products in specific applications. Your local authority can advise you of these.

You must provide the propane gas and cylinder(s). Use this heater only with a propane vapor withdrawal supply system. Refer to Chapter 5 of the Standard for Storage and Handling of Liquefied Petroleum Gas , ANSI/NFPA 58. Your local library or fire department will have this booklet.

 **NEVER LEAVE HEATER UNATTENDED WHILE BURNING OR WHILE CONNECTED TO A FUEL SOURCE.**

IMPORTANT SAFETY INFORMATION

1. If the heater is being used in the presence of others, be sure to inform them of the proper safety precautions, operating procedures and the hazards involved. Some people are more affected by carbon monoxide than others. These are pregnant women, people with heart or lung disease or anemia, those under the influence of alcohol or at high altitudes.
2. Use 20 lb. LP cylinders only.
3. Check the heater thoroughly for damage before each use. DO NOT operate a damaged heater.
4. DO NOT modify this heater or operate a heater that has been modified from it's original state. Modifying this heater will void your warranty.
5. Keep children and animals away from heater.
6. Always set heater on a stable, level surface and use the caster locks to prevent movement of the heater.
7. NEVER use heater in occupied dwellings without proper ventilation.
8. Operate in a manner that heater will not be exposed directly to rain or dripping water.
9. Keep heater area free from combustible materials such as gasoline, paint thinners and other flammable vapors and liquids. Dust is combustible. Do not use heater in areas of high dust concentration.
10. ALWAYS maintain proper distance from combustibles.
11. NEVER leave heater unattended.
12. Use heater in accordance with all local codes and with CSA 5.90 U.S. (5th Ed.) Infrared Patio Heater.
13. In the absence of local codes, refer to the Standard for the Storage and Handling of Liquefied Petroleum Gases, ANSI/NFPA 58 and the Natural Gas and Propane Installation Code, CSA B149.1.
14. This heater is not for use on finished floors.

GENERAL SAFETY INFORMATION

PROPANE (LP) SUPPLY

1. You must provide the propane gas cylinder(s). Use this heater only with a propane vapor withdrawal supply system. Refer to Chapter 5 of the Standard for Storage and Handling of Liquefied Petroleum Gas , ANSI/NFPA 58. Your local library or fire department will have this booklet.
2. The cylinder must be equipped with a collar to protect the gas valve, an arrangement of vapor withdrawal, a shutoff valve terminating the cylinder valve outlet as specified in the American National Standard for Compressed Gas Cylinder Valve Outlet and Inlet Connections, and a safety relief valve in direct contact with the vapor space of the tank.
3. Always keep the cylinder in an upright position. Avoid knocking the cylinder over on its side with the hose/regulator connected, as this can cause damage to the regulator diaphragm.
4. Never store a propane(LP) cylinder indoors or in the vicinity of any gas burning appliances.
5. Protect the cylinder valve, and handle it with care.
6. Be sure that the shut-off valve is closed tightly after each use.
7. Be sure to protect the POL fitting from damage when disconnected. Damage to this fitting can lead to leaks.
8. Never connect an unregulated cylinder to the heater. Always use the hose and regulator supplied.
9. Never use any other hose and regulator.
10. Do not subject the cylinder to excessive heat.

 **WARNING: EXTREMELY HOT DURING OPERATION. DO NOT TOUCH ANY METAL COMPONENTS WHILE IN OPERATION. KEEP GASOLINE AND ANY OTHER FLAMMABLE LIQUIDS AWAY FROM HEATER.**

 **NEVER LEAVE HEATER UNATTENDED WHILE BURNING OR WHILE CONNECTED TO A FUEL SOURCE.**

 **DO NOT DIRECT HEATER DISCHARGE TOWARDS ANY PROPANE CYLINDER LOCATED WITHIN 20 FEET OF THE HEATER.**

LP CHARACTERISTICS:

1. Flammable, explosive under pressure, heavier than air and pools in low areas.
2. In its natural state, propane has no odor, but for safety an odorant that smells like rotten cabbage is added.
3. Contact of LP gas with the skin can cause freeze burns.
4. Heater is manufactured for use with LP gas only. DO NOT attempt to convert to any other gas. Such modifications are dangerous and will void your warranty.
5. When heater is not in use, LP supply must be shut OFF.

The amount of LP gas used by this heater varies. The two factors that will determine this are as follows:

1. The amount of gas in the LP cylinder,
2. The temperature of the LP cylinder and surrounding area.

FEATURES

PIEZO IGNITION:

Model MH-0018-0D10 uses a manual Piezo igniter button to send a spark when you turn the Gas Valve Knob to “PILOT”. The spark ignites the fuel at the pilot.

TIP SWITCH SHUT-OFF SYSTEM:

The heater is protected by a system whereby the heater shuts off if it is substantially tilted in any direction.

ODS (OXYGEN DEPLETION SENSOR):

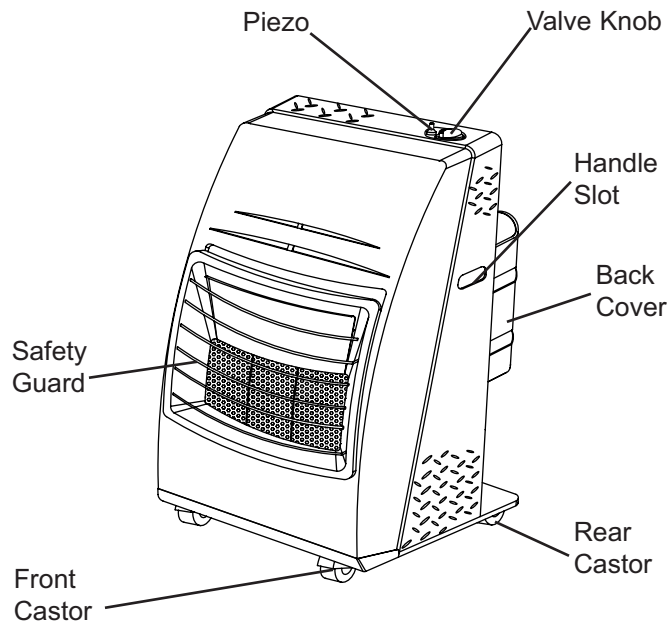
This heater uses an Oxygen Depletion Sensor (ODS) to monitor the oxygen content in the heated space. Should the oxygen level fall below 18%, the flame will no longer touch the thermocouple, stopping electrical current and the heater will shut off.

ADJUSTABLE INPUT RATINGS:

The heater has 3 temperature ratings (high “•••”, medium “••” and low “•”). The Valve Knob is located conveniently at the top of the heater, for easy access and control.

⚠ NEVER LEAVE HEATER UNATTENDED WHILE BURNING OR WHILE CONNECTED TO A FUEL SOURCE.

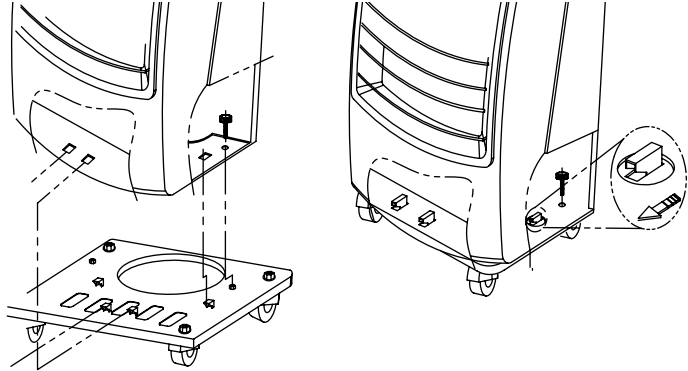
⚠ WARNING: THIS HEATER IS NOT INTENDED FOR RESIDENTIAL USE.



ASSEMBLY

UNPACKING AND ASSEMBLY

1. Remove heater and base from Carton (Save carton and packing materials for later storage).
2. Remove all protective packaging protecting heater during shipping.
3. Place Heater Base on flat surface with wheels on ground.
4. Line up holes in bottom of heater cabinet with locking tabs on top of base.
5. Mount heater cabinet to heater base sliding tabs through holes in bottom of cabinet and sliding cabinet backward approximately 1/4" or until cabinet will not move further back.
6. Use thumbscrews to attached heater cabinet to heater base.
7. Inspect heater closely for any damage that may have occurred during shipping. If there is any damage, return the heater to the place of purchase.



⚠ NEVER LEAVE HEATER UNATTENDED WHILE BURNING OR WHILE CONNECTED TO A FUEL SOURCE.

⚠ WARNING: THIS HEATER IS NOT INTENDED FOR RESIDENTIAL USE.

VENTILATION

Caution: Always provide a fresh air opening in the heated space of at least three square feet (2,800 sq. cm) for each 100,000 BTU/Hr. of heater output. Provide a larger opening if more heaters are being used. As an example, a MH-0018-0D10 heater will require:

- a two-car garage door open 2 inches, or
- a single car garage open 3 inches, or
- two thirty two inch wide windows open 4 inches

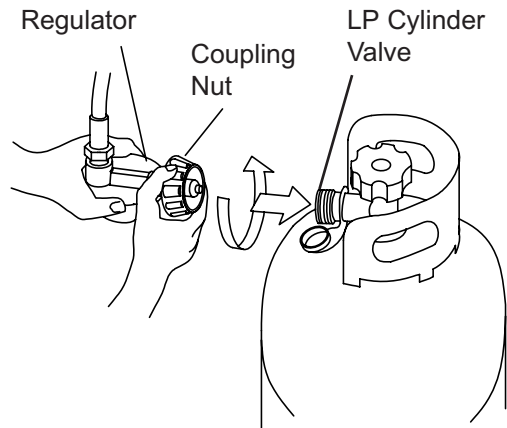
CONNECTING TO GAS SUPPLY

⚠ CAUTION: THE PROPANE (LP) GAS PRESSURE REGULATOR AND HOSE ASSEMBLY SUPPLIED WITH THE HEATER MUST BE USED WITHOUT ALTERATION.

⚠ CAUTION: BE SURE TO INSPECT THE REGULATOR HOSE BEFORE EACH USE. IF THE HOSE IS CUT OR FRAYED, REPLACE IT WITH THE MANUFACTURER SUGGESTED ASSEMBLY.

IMPORTANT! Always use a propane (LP) cylinder that has a connection device that is compatible with the hose and regulator assembly supplied.

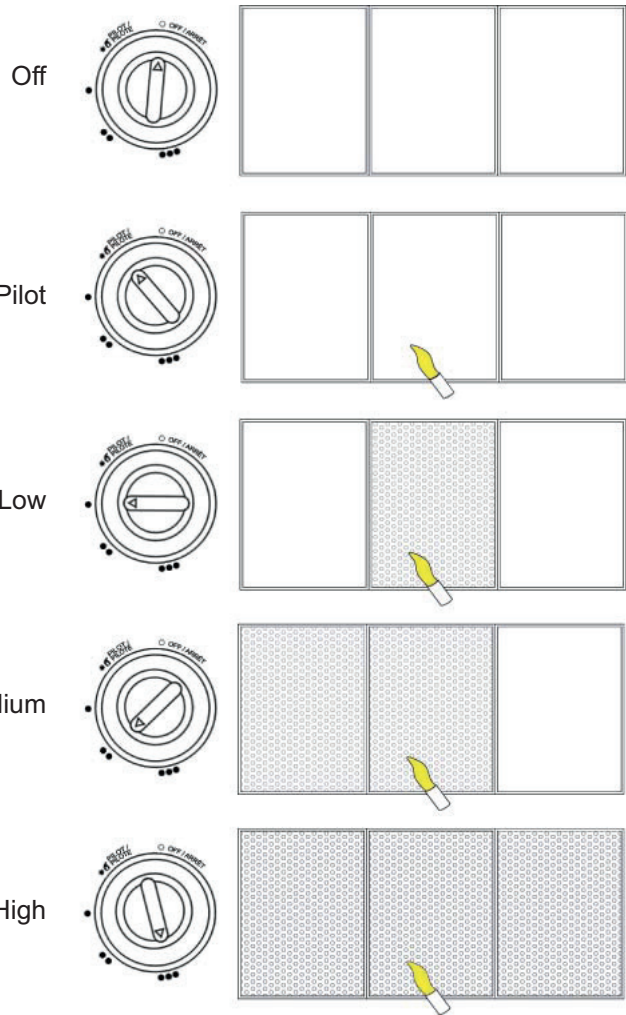
1. Remove the Back Cover by sliding the cover straight up and away from the Heater Body. Place the LP cylinder on the Bottom Plate and replace the Back Cover.
2. To connect LP cylinder, insert regulator end fitting into cylinder valve, rotate coupling nut clockwise and tighten firmly.
3. Open valve on propane cylinder slowly. If the valve is not opened slowly, the excess flow check valve in the regulator will stop the flow of gas. If this should happen, close the valve, wait one minute (or until you hear the valve click), and re-open, slowly.
4. Be sure to inspect all connections for leaks, by using a 50/50 mixture of dish soap and water on all connections. Any bubbles forming indicate a leak.



OPERATION

LIGHTING INSTRUCTIONS

1. Turn the knob on the LP cylinder valve counterclockwise to the ON position.
2. Turn the Valve Knob on heater to the OFF position.
3. Wait five (5) minutes for any gas to clear. Smell for gas. If none is evident, proceed to the next step.
4. Push in the valve knob and turn to "PILOT". NOTE: If this is first time use for heater or LP cylinder has been replaced, hold the valve knob for approximately 30 seconds to allow bleeding of air from system then turn valve knob to PILOT.
5. While depressing the valve knob, press red piezo ignition button to ignite. It may be necessary to press the ignitor button several times to ignite the center burner panel.
6. Continue to hold valve knob down for 30 seconds after the panel has lit. This will heat the thermocouple. After 30 seconds, release the valve knob.
7. If heater fails to light, or does not stay lit, repeat Steps 2 through 6.
8. When the center burner panel stays lit, turn valve knob to desired setting.



TEST FIRING HEATER

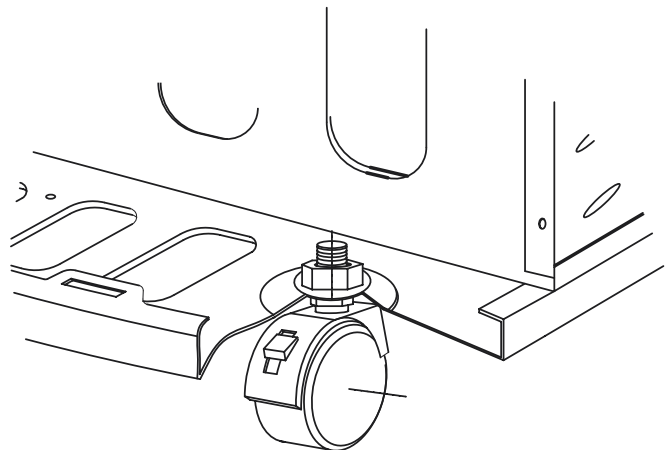
It is always a good idea to test fire your heater in a safe and controlled environment, in an area with adequate ventilation, and away from any combustibles to be sure that all functions of the heater and gas supply system are operating properly. Leak test all gas connections with a 50/50 solution of dish soap and water. DO NOT use a flame to test for leaks!

SHUTDOWN INSTRUCTIONS

1. Turn the Valve Knob to the "OFF" position.
2. Turn the knob at the LP cylinder clockwise to the OFF position.
3. Disconnect Regulator Hose assembly from the LP cylinder.

MOVING AND POSITIONING THE HEATER

There is a brake in each of the front wheels of your heater that helps keep it in place when in use. To engage the brakes, push the lever down on each wheel. To move the heater, release the brakes, simply by flipping the levers on both brakes up.



⚠ NEVER LEAVE HEATER UNATTENDED WHILE BURNING OR WHILE CONNECTED TO A FUEL SOURCE.

⚠ WARNING: THIS HEATER IS NOT INTENDED FOR RESIDENTIAL USE.

MAINTENANCE

MAINTENANCE AND STORAGE

Always disconnect the LP cylinder from the regulator assembly and remove the LP cylinder from the heater before putting the heater into storage. If for any reason the heater is to be stored indoors, the heater **MUST** be disconnected from the LP cylinder, and the cylinder stored outdoors in a well-ventilated area, out of the reach of children, and in accordance with the Standard for Storage and Handling of Liquefied Gases, ANSI/NFPA 58 - latest edition. The plastic valve plug or valve cover supplied with the LP cylinder must be reinstalled on the valve to protect the fitting from damage.

NOTE: Repair of this heater should be done by a qualified service person.

It is recommended that you save all of the packaging materials that came with our heater, and re-package the heater using these materials for safe storage. Debris, dust and dirt inside of the heater body can affect the performance of your heater. This debris can impair the heaters ability to draw air for ventilation and combustion. Spiderwebs can also appear during periods of inactivity. Be sure to inspect the heater before each use to look for any such obstructions. Be sure to keep the air passage-ways, burner and combustion areas clean. Wipe with a damp cloth or use a vacuum cleaner to clean these areas. It is suggested that you perform a thorough cleaning at least once every 30 days of operation. You may need to clean the heater more often if conditions are naturally dirty.

Clean the Ceramic Plaques using compressed air below 30 PSI to prevent damage to plaques.

A yellow tip of the pilot flame indicates that the burner area may be in need of cleaning.

 **NEVER STORE AN LP CYLINDER INSIDE OF A BUILDING, OR NEAR ANY OTHER GAS OR OIL BURNING APPLIANCES.**

 **ALWAYS BE SURE THAT THE HEATER HAS BEEN ALLOWED TO COOL FOR AT LEAST 30 MINUTES BEFORE ATTEMPTING TO STORE, SERVICE, OR PERFORM MAINTENANCE.**

CHECKING FOR LEAKS

To check for leaks, make up a 50/50 solution of dish soap and water. Apply this solution to all gas connections. If bubbles appear, there is a leak. If a leak is found, turn off the gas supply, re-make the leaking connection. If the leak persists after several tries, contact Mi-T-M Customer Service at 800-553-9053. The installation of this heater must meet all local codes and/or gas utility requirements. In the absence of local codes, the National Fuel Code ANSI Z223.1 should be followed. The minimum clearances to any combustible construction materials must be maintained at all times (see clearance specifications in this manual).

 **CAUTION: ALWAYS KEEP THIS HEATER OUT OF THE REACH OF CHILDREN.**

 **NEVER LEAVE HEATER UNATTENDED WHILE BURNING OR WHILE CONNECTED TO A FUEL SOURCE.**

 **WARNING: THIS HEATER IS NOT INTENDED FOR RESIDENTIAL USE.**

TROUBLESHOOTING

Problem	Possible Cause	Solution
Burner does not light	1. Air in gas line	1. Keep depressing the gas control knob for at least 30 seconds to remove any air in line
	2. Gas pressure from cylinder too low	2. Check LP cylinder pressure. Tank may be empty
	3. LP cylinder valve turned off	3. Open LP cylinder valve
	4. Obstruction in air passageway	4. Inspect and clean heater housing
	5. Dirt in pilot orifice	5. Blow out, or otherwise clean the pilot orifice
	6. Safety switch in cylinder valve engaged	6. Close LP cylinder valve. Wait one minute for switch to click off. Reopen LP cylinder valve slowly
	7. Tip over switch engaged	7. Move heater to a level surface
No spark is created when ignited	1. Incorrect igniter electrode position	1. Properly position electrode
	2. Electrode damaged or broken	2. Replace the electrode
	3. Loose or disconnected igniter wire	3. Tighten or reconnect loose wire
	4. Broken igniter wire	4. Replace igniter wire
Heater stops running by itself	1. Thermocouple damaged	1. Replace thermocouple
	2. Gas control valve damaged	2. Replace gas control valve
	3. Gas leak	3. Check all connections for leaks using 50/50 solution of dish soap and water. Repair any leaks found
	4. Thermocouple not in contact with pilot flame	4. Clean inside of heater housing
	5. Tip-over switch damaged, or loose connection at tipswitch	5. Inspect tip-over switch and connections. Replace if necessary
	6. Out of fuel	6. Replace LP cylinder

 **NEVER LEAVE HEATER UNATTENDED WHILE BURNING OR WHILE CONNECTED TO A FUEL SOURCE.**

 **WARNING: THIS HEATER IS NOT INTENDED FOR RESIDENTIAL USE.**



STATEMENT OF WARRANTY

Mi-T-M warrants this heater to the original retail purchaser only, to be free from defects in material and workmanship for a period of

one (1) year from the date of initial purchase.

This product must be properly installed, maintained and operated in accordance with the instructions provided. Mi-T-M requires reasonable proof of your date of purchase from an authorized retailer or distributor. Therefore, you should keep your sales slip, invoice, or cancelled check from the original purchase.

EXCLUSIONS

1. This Limited Warranty shall be limited to the repair or replacement of parts, which prove defective Mi-T-M shall determine at its reasonable discretion. This warranty does not include wear items: filters, vanes, nozzles, and rotors.
2. This Limited Warranty does not cover any failures or operating difficulties due to normal wear and tear, accident, abuse, misuse, alteration, misapplication, improper installation or improper maintenance and service by you or any third party. Failure to perform normal and routine maintenance on the heater, shipping damage, damage related to insects, birds, or animals of any kind, and damage due to weather conditions are also not covered.
3. In addition, the Limited Warranty does not cover damage to the finish, such as scratches, dents, discoloration, rust or other weather damage, after purchase.

All transportation costs for the return of the damaged product or parts will be the responsibility of the purchaser. Upon receipt of damaged item, Mi-T-M will examine the item and determine if defective. Mi-T-M will repair or replace and return the item, freight pre-paid. If Mi-T-M finds the item to be in normal operating condition, or not defective, the item will be returned freight collect.

This Limited Warranty is in lieu of all other express warranties. Mi-T-M disclaims all warranties for products that are purchased from sellers other than authorized retailers or distributors.

AFTER THE PERIOD OF THE ONE (1) YEAR EXPRESS WARRANTY EXPIRES, Mi-T-M DISCLAIMS ANY AND ALL IMPLIED WARRANTIES, INCLUDING WITHOUT LIMITATION THE IMPLIED WARRANTIES OF MERCHANTABILITY AND FITNESS FOR A PARTICULAR APPLICATION. FURTHER, Mi-T-M SHALL HAVE NO LIABILITY WHATSOEVER TO PURCHASER OR ANY THIRD PARTY FOR ANY SPECIAL, INDIRECT, PUNITIVE, INCIDENTAL, OR CONSEQUENTIAL DAMAGES.

Mi-T-M assumes no responsibility for any defects caused by third parties. This Limited Warranty gives the purchaser specific legal rights; a purchaser may have other rights depending upon where he or she lives. Some states do not allow the exclusion or limitation of special, incidental or consequential damages, or limitations on how long a warranty lasts, so the above exclusion and limitations may not apply to you. Mi-T-M does not authorize any person or company to assume for it any other obligation or liability in connection with the sale, installation, use, removal, return, or replacement of its equipment, and no such representations are binding on Mi-T-M. Always be sure to specify model number and serial number when making any claim with Mi-T-M.

**For Service or Warranty Consideration, contact
Mi-T-M® Corporation, 8650 Enterprise Drive, Peosta, IA 52068
563-556-7484 / 800-553-9053 / Fax 563-556-1235
Monday - Friday 8:00 a.m. - 5:00 p.m. CST**

TABLE OF CONTENTS

INTRODUCTION.....	18
IMPORTANTES CONSIGNES DE SECURITE.....	19
SPÉCIFICATIONS.....	23
CONSIGNES GÉNÉRALES DE SÉCURITÉ.....	24
CARACTERÍSTICAS.....	26
ASSEMBLAGE.....	27
FONCTIONNEMENT.....	28
ENTRETIEN.....	29
TABLEAU DE DÉPANNAGE.....	30
BON DE GARANTIE.....	31

⚠ AVERTISSEMENT DE SÉCURITÉ GÉNÉRAL: LE FAIT DE NE PAS RESPECTER LES PRÉCAUTIONS ET LES INSTRUCTIONS FOURNIES AVEC CET APPAREIL DE CHAUFFAGE PEUT RÉSULTER EN DES DOMMAGES CORPORELS MORTELS OU SÉRIEUX, UNE PERTE DE PROPRIÉTÉ OU DES DOMMAGES DUS À UN INCENDIE, UNE EXPLOSION, DES BRÛLURES, L'ASPHYXIE, L'EMPOISONNEMENT À L'OXYDE DE CARBONE ET/OU UN CHOC ÉLECTRIQUE.

SEULES LES PERSONNES QUI PEUVENT LIRE ET COMPRENDRE CES INSTRUCTIONS DOIVENT UTILISER OU ENTREtenir CET APPAREIL DE CHAUFFAGE.

CONTACTER LE FABRICANT SI VOUS AVEZ BESOIN D'AIDE OU DE RENSEIGNEMENTS CONCERNANT LE CHAUFFAGE TELS QU'UN MANUEL DE L'OPERATEUR, UNE ETIQUETTE, ETC.

⚠ AVERTISSEMENT: RISQUE D'INCENDIE, DE BRÛLURES, D'INHALATION ET D'EXPLOSION. MAINTENIR LES MATÉRIAUX COMBUSTIBLES SOLIDES, TELS QUE LES MATÉRIAUX DE CONSTRUCTION, LE PAPIER OU LE CARTON À UNE DISTANCE RESPECTUEUSE DE L'APPAREIL DE CHAUFFAGE TEL QU'IL EST RECOMMANDÉ DANS LES INSTRUCTIONS. NE JAMAIS SE SERVIR DE L'APPAREIL DE CHAUFFAGE DANS DES ENDROITS QUI CONTIENNENT OU QUI PEUVENT CONTENIR DES COMBUSTIBLES VOLATILS OU EN SUSPENSION OU DES PRODUITS TELS QUE L'ESSENCE, LES DISSOLVANTS, LES DILUANTS DE PEINTURE, LES PARTICULES DE POUSSIÈRE OU DES PRODUITS CHIMIQUES INCONNUS.

⚠ AVERTISSEMENT: NE PAS UTILISER DANS LES DOMICILES OU LES CAMPING-CARS.

Ce radiateur est conçu pour les sites de construction, en conformité avec ANSI Z83.7-2011/CSA 2.14-2011.

⚠ WARNING

AVERTISSEMENT: Ce produit contient du plomb, un produit chimique qui est connu par l'état de Californie comme étant la cause de cancer et de malformations congénitales ou autres effets nocifs de reproduction.
Laver vos mains après avoir manipulé ce produit.

⚠ AVERTISSEMENT

Ce produit contient un ou plusieurs produits chimiques qui sont connus par l'état de Californie comme étant la cause de cancer, de défauts de naissance et d'autres problèmes reproductifs.

INTRODUCTION

Félicitations de l'achat de votre nouveau le chauffage! Vous pouvez être assuré que votre nouveau chauffage soufflant sur bouteille a été construit avec le plus haut niveau de précision et de fiabilité. Chaque composant a été rigoureusement testé par des techniciens pour assurer la qualité, la durabilité et la performance de le chauffage.

Ce manuel opérateur a été dressé pour que vous en retiriez le meilleur parti. Par la lecture et l'application des mesures simples de sécurité, d'installation et d'opération, d'entretien et de dépannage décrites dans ce manuel, votre nouveau le chauffage fonctionnera sans faille pendant de nombreuses années. Le contenu de ce manuel est basé sur la dernière information disponible du produit au moment de la publication. Mi-T-M® se réserve le droit d'effectuer des changements de prix, de couleur, de matériaux, d'équipement, de caractéristiques ou de modèles à tout moment sans communication préalable.



IMPORTANT!

Les avertissements de sécurité "DANGER, AVERTISSEMENT ou ATTENTION" seront entourés par un "ENCADRE ALERTE SECURITE". Cet encadré est utilisé pour indiquer et souligner les avertissements de sécurité qui doivent être suivis en actionnant ce compresseur d'air. En plus des avertissements de sécurité, des "mots d'alerte" sont utilisés pour indiquer le degré ou niveau de risque. Les "mots d'alerte" utilisés dans ce manuel sont comme suit:

DANGER: INDIQUE UNE SITUATION AU DANGER IMMINENT QUI, SI ELLE N'EST PAS ÉVITÉE, ENTRAÎNERA LA MORT OU DES BLESSURES GRAVES.

AVERTISSEMENT: INDIQUE UNE SITUATION POTENTIELLEMENT DANGEREUSE QUI, SI ELLE N'EST PAS ÉVITÉE, POURRAIT ENTRAÎNER LA MORT OU DES BLESSURES GRAVES.

ATTENTION: INDIQUE UNE SITUATION POTENTIELLEMENT DANGEREUSE, QUI, SI ELLE N'EST PAS ÉVITÉE, PEUT ENTRAÎNER DES BLESSURES MINEURES OU PEU GRAVES ET DES DÉGATS AU COMPRESSEUR.



Les symboles placés à gauche de ce paragraphe sont des "symboles d'alerte de sécurité". Ces symboles sont utilisés pour souligner les points ou les procédures qui pourraient être dangereuses pour vous ou tout autre personne utilisant cet équipement.

Fournissez toujours une copie de ce manuel à toute personne utilisant cet équipement. Lisez toutes les instructions dans ce manuel et toutes instructions fournies par les fabricants d'équipement de support avant d'utiliser ce compresseur d'air et attirer spécialement l'attention aux "Avertissements de Sécurité" pour éviter la possibilité de blessures pour l'utilisateur.

Une fois l'appareil déballé, écrivez immédiatement le numéro de série de votre appareil dans l'espace ci-dessous.

NUMERO DE SERIE _____




Assurez-vous qu'il n'y a pas de signes de dommages évidents ou cachés suite au transport. En cas de dommage, remplissez immédiatement une réclamation avec la compagnie de transport. Assurez-vous que toutes les pièces endommagées sont remplacées et les problèmes mécaniques et électriques corrigés avant l'utilisation de l'appareil. Si vous avez besoin d'assistance, entrez en contact avec votre service clientèle.

Mi-T-M® Corporation, 8650 Enterprise Drive, Peosta, IA 52068
563-556-7484 / 800-553-9053 / Fax 563-556-1235
du lundi au vendredi de 8h00 à 17h, CST (heure centrale)

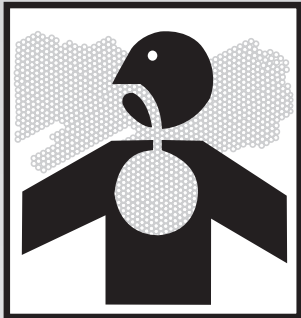
Veuillez avoir les informations suivantes disponibles pour toute intervention:

1. Numéro de modèle
2. Numéro de série
3. Date et lieu d'achat


IMPORTANTES CONSIGNES DE SECURITE


Hazard	Potential Consequence	Prevention
<p>RISQUES D'INCENDIE ET D'EXPLOSION</p>  	<p>Des étincelles électriques dans le moteur et l'interrupteur de pression peuvent être la cause de blessures graves ou la mort.</p> <p>Des blessures graves peuvent survenir si la prise ou la sortie d'air du chauffage est obstruée..</p> <p>Des blessures graves, voire la mort, peuvent survenir si le bon carburant n'est pas utilisé ou si le chauffage fonctionne durant le ravitaillement.</p> <p>Toujours placer le chauffage sur une surface stable et plane à l'écart des enfants et des animaux.</p>	<p>N'utiliser ce chauffage que dans un endroit bien ventilé libre de vapeurs inflammables, de poussière combustible ou de toute autre matière combustible.</p> <p>Ne jamais placer d'objets devant la prise d'air (à l'arrière) ou la sortie d'air(à l'avant). N'utiliser jamais de système de canalisation d'air à l'avant ou à l'arrière du chauffage. Eloigner du chauffage toutes les matières combustibles</p> <p>NE JAMAIS bouger ou manipuler le chauffage lorsqu'il est encore chaud.</p> <p>L'entreposage de carburant en gros doit être maintenu à une distance d'un minimum de 25 pieds (7m60) des chauffages, torches, groupes électrogènes portables ou toutes autres sources d'inflammation. Tout entreposage de carburant doit être conforme aux réglementations des autorités locales, d'état ou fédérale ayant juridiction.</p> <p>NE JAMAIS bouger ou manipuler le chauffage lorsqu'il est encore chaud.</p> <p>TOUJOURS placer le chauffage sur une surface stable et plane. TOUJOURS maintenir les enfants et les animaux à l'écart du chauffage</p>
<p>RISQUE DE BRULURES</p> 	<p>Le fait de toucher les surfaces de métal exposées peut causer de graves blessure. Ces surfaces peuvent rester chaudes pendant un certain temps après l'arrêt du chauffage.</p>	<p>Le fait de toucher les surfaces de métal exposées peut causer de graves blessure. Ces surfaces peuvent rester chaudes pendant un certain temps après l'arrêt du chauffage.</p>

IMPORTANTES CONSIGNES DE SECURITE

Hazard	Potential Consequence	Prevention
<p>RISQUE DE PROBLEME RESPIRATOIRE</p> 	<p>Des blessures graves, voire la mort peuvent survenir si une bonne ventilation n'est pas fournie selon les consignes de ce manuel.</p>	<p>Chauffage à feu direct signifie que tous les produits de combustion de l'appareil de chauffage entrent dans l'espace chauffé. Cet appareil a une efficacité de combustion de 98 %, mais produit une petite quantité d'oxyde de carbone. L'oxyde de carbone est toxique. Les humains peuvent tolérer de petites quantités d'oxyde de carbone et des précautions doivent être prises pour fournir une ventilation appropriée. Le fait de ne pas fournir une ventilation appropriée selon ce manuel peut aboutir à la mort.</p> <p>Intoxication à l'oxyde de carbone: Les premiers signes de l'intoxication à l'oxyde de carbone ressemblent aux symptômes de la grippe tels que des maux de tête, des étourdissements, et/ou la nausée. Il est possible que votre chauffage ne marche pas correctement si vous éprouvez ces symptômes.</p> <p>Les personnes avec des problèmes de respiration doivent consulter un médecin avant d'utiliser ce chauffage.</p> <p>Intoxication à l'oxyde de carbone: Les premiers signes de l'intoxication à l'oxyde de carbone ressemblent aux symptômes de la grippe tels que des maux de tête, des étourdissements, et/ou la nausée. Il est possible que votre chauffage ne marche pas correctement si vous éprouvez ces symptômes.</p> <p>Obtenir de l'air frais immédiatement ! Faire entretenir le chauffage. Certaines personnes sont plus atteintes par l'oxyde de carbone que les autres. Ceci inclut les femmes enceintes, les personnes avec des problèmes de cœur ou de poumon, celles sous l'influence d'alcool ou en haute altitude.</p> <p>Ne jamais utiliser ce chauffage dans les espaces d'habitation ou dans les pièces où l'on dort.</p>

IMPORTANTES CONSIGNES DE SECURITE

 **RISQUE D'INCENDIE, DE BRÛLURE, D'INHALATION ET D'EXPLOSION. GARDER LES COMBUSTIBLES SOLIDES, COMME LES MATÉRIAUX DE CONSTRUCTION, LE PAPIER OU LE CARTON, À UNE DISTANCE SÉCURITAIRE DU CHAUFFAGE, SELON LES RECOMMANDATIONS DE CE MANUEL. NE JAMAIS UTILISER LE CHAUFFAGE DANS DES ENDROITS QUI CONTIENNENT OU POURRAIENT CONTENIR DES MATIÈRES COMBUSTIBLES VOLATILES OU EN SUSPENSION DANS L'AIR, OU ENCORE DES PRODUITS COMME DE L'ESSENCE, DES SOLVANTS, DES DILUANTS À PEINTURE, DES PARTICULES DE POUSSIÈRE OU DES PRODUITS CHIMIQUES INCONNUS.**

 **DANGER LIÉ AU MONOXYDE DE CARBONE CE RADIATEUR PRODUIT DU MONOXYDE DE CARBONE, QUI N'A PAS D'ODEUR. LE FAIT DE FAIRE BRÛLER CE RADIATEUR DANS UN ESPACE CLOS PEUT CAUSER LA MORT. NE JA MAIS UTILISER LE RADIATEUR DANS DES ESPACES CLOS COMME UNE TENTE, UNE CAMIONNETTE DE CAMPING, TOUT VÉHICULE OU VÉHICULE DE PLAISANCE, ABRI FERMÉ OU TOUT AUTRE TYPE D'ESPACE CLOS. N'EST PAS CONÇU POUR UNE UTILISATION DANS UNE AIRE RÉSIDENIELLE OU DANS UN ESPACE CLOS QUI N'EST PAS VENTILÉ ADÉQUATEMENT. NE JAMAIS APPORTER OU ENTREPOSER UNE BOUTEILLE DE PROPANE À L'INTÉRIEUR.**

 **SI LES INFORMATIONS CONTENUES DANS CE MANUEL NE SONT PAS SUIVIES À LA LETTRE, UN INCENDIE OU UNE EXPLOSION PEUVENT SURVENIR ET CAUSER DES DOMMAGES MATÉRIELS, DES BLESSURES OU LA MORT.**

NE PAS ENTREPOSER NI UTILISER D'ESSENCE OU D'AUTRES VAPEURS OU LIQUIDES INFLAMMABLES À PROXIMITÉ DE CE RADIATEUR OU DE TOUT AUTRE APPAREIL.

UNE BOUTEILLE DE GPL (GAZ PROPANE LIQUIDE) QUI N'EST PAS RACCORDÉE POUR ÊTRE UTILISÉE NE DOIT PAS ÊTRE ENTREPOSÉE À PROXIMITÉ DE CET APPAREIL OU DE TOUT AUTRE APPAREIL.

QUE FAIRE SI UNE ODEUR DE GAZ EST DÉTECTÉE :

Ne pas tenter d'allumer le radiateur

Éteindre toute flamme nue

Couper l'alimentation en gaz vers le radiateur


Si l'odeur persiste, contacter votre fournisseur de gaz local où le service des incendies

Ne toucher à aucun interrupteur électrique et n'utiliser aucun téléphone dans votre édifice

Appeler immédiatement votre fournisseur de gaz à partir du téléphone d'un voisin. Suivre les instructions du fournisseur de gaz

Si le fournisseur de gaz ne peut être rejoint appeler le service des incendies

La réparation doit être effectuée par une agence de service qualifiée ou par le fournisseur de gaz

 **L'ÉTAT DE CALIFORNIE EXIGE D'APPOSER L'AVERTISSEMENT SUIVANT (PROPOSITION 65) : LES SOUS-PRODUITS DE COMBUSTION DÉGAGÉS PAR CET APPAREIL CONTIENNENT DU MONOXYDE DE CARBONE, UN PRODUIT CHIMIQUE REÇU PAR L'ÉTAT DE CALIFORNIE POUR CAUSER LE CANCER ET DES ANOMALIES CONGÉNITALES (OU D'AUTRES EFFETS NOCIFS SUR LA REPRODUCTION).NE PAS UTILISER CE CHAUFFAGE AVANT D'AVOIR LU ET ENTIÈREMENT COMPRIS CES DIRECTIVES DE SÉCURITÉ ET D'UTILISATION. LE FAIT DE NÉGLIGER DE RESPECTER LES PRÉCAUTIONS ET LES INSTRUCTIONS FOURNIES AVEC CE CHAUFFAGE PEUT ENTRAÎNER LA MORT, DES BLESSURES GRAVES, DES PERTES OU DES DOMMAGES MATÉRIELS SUITE AUX RISQUES D'INCENDIE, D'EXPLOSION, DE BRÛLURES, D'ASPHYXIE OU D'EMPOISONNEMENT AU MONOXYDE DE CARBONE. SEULES DES PERSONNES APTES À LIRE ET À COMPRENDRE CES INSTRUCTIONS DOIVENT UTILISER OU ENTRETENIR CE CHAUFFAGE.**

 **AVERTISSEMENT: NE PAS UTILISER DANS DES MAISONS OU DES VÉHICULES DE PLAISANCE.**

 **AVERTISSEMENT: NE JAMAIS LAISSER L'APPAREIL DE CHAUFFAGE SANS SURVEILLANCE LORSQU'IL FONCTIONNE OU LORSQU'IL EST BRANCHÉ À UNE SOURCE D'ALIMENTATION EN CARBURANT OU D'ÉLECTRICITÉ.**



!GARDER CES INSTRUCTIONS!



 **AVERTISSEMENT** 

**LES PAGES SUIVANTES CONTIENNENT LES
CONSIGNES D'UTILISATION ET D'ENTRETIEN.**

**NE TENTER PAS DE FAIRE FONCTIONNER CE
CHAUFFAGE D'AIR AVANT D'AVOIR LU ET
COMPRIS TOUTES LES PRECAUTIONS ET
CONSIGNES DE SECURITE CONTENUES DANS
CE MANUEL.**

**L'UTILISATION INAPPROPRIEE DE CET
APPAREIL PEUT CAUSER DES BLESSURES
SERIEUSES!!**

**NE PAS ALTERER OU MODIFIER CET
EQUIPEMENT EN AUCUNE MANIERE!**

**NE JAMAIS LAISSER L'APPAREIL DE CHAUFFAGE SANS SURVEILLANCE
LORSQU'IL FONCTIONNE OU LORSQU'IL EST BRANCHÉ À UNE
SOURCE D'ALIMENTATION EN CARBURANT OU D'ÉLECTRICITÉ.**

SPÉCIFICATIONS

Modèle	MH-0018-0D10
Puissance de sortie (BTU/heure) – Faible	6,600
Puissance de sortie (BTU/heure) - Moyen	12,000
Puissance de sortie (BTU/heure) - Haut	18,000
Pieds carrés à chauffer la zone - F / M / H (Sq. Ft.)	210 / 390 / 600
Consommation de carburant - F / M / H (lb./hr.)	.304 / .552 / .828
Requis Taille Cylindre	20 lb
Heures d'ouverture maximum - F / M / H (pour cylindre 20 livres)	72 / 36 / 24
Carburant	Propane
Manifold Pressure	11.00" W.C.
Poids (livres au total / net (livres))	22 / 19.4
Taille (avec retenue cylindre) Longueur x largeur x hauteur	15.1 x 17.8 x 24.2
Taille de la boîte (L x W x H)	15.1 x 13.6 x 23

Dégagement minimum pour les combustibles	
	MH-0018-0D10
Dessus	61 cm (24 po)
Côtés	30,5 cm (12 po)
Avant	183 cm (72 po)

CONSIGNES GÉNÉRALES DE SÉCURITÉ

⚠ AVERTISSEMENT: UNE MAUVAISE UTILISATION DE CE CHAUFFAGE PEUT ENTRAÎNER DES BLESSURES GRAVES OU LA MORT SUITE À DES BRÛLURES, UN INCENDIE, UNE EXPLOSION, UNE DÉCHARGE ÉLECTRIQUE ET/OU UNE INTOXICATION À L'OXYDE DE CARBONE.

⚠ AVERTISSEMENT: NE PAS UTILISER AVEC UN SYSTEME DE CANALISATION D'AIR.

⚠ AVERTISSEMENT: NE PAS UTILISER DANS LES DOMICILES OU LES CAMPING-CARS. L'ASSEMBLAGE DU TUYAU DOIT ÊTRE PROTÉGÉ DE LA CIRCULATION, DES MATÉRIAUX DE CONSTRUCTION ET DE TOUT CONTACT AVEC LES SURFACES CHAUDES PENDANT L'UTILISATION ET LORS DE L'ENTREPOSAGE.

Important: Lire ce manuel de l'opérateur attentivement et entièrement avant d'essayer de faire fonctionner ou d'entretenir ce chauffage. Une mauvaise utilisation de cet appareil de chauffage peut être la cause de blessures graves, voire la mort, suite à un incendie, une explosion ou une intoxication à l'oxyde de carbone.

Nous ne pouvons pas prévoir toutes les circonstances possibles qui peuvent créer un danger. Les avertissements dans ce manuel et ceux qui sont inscrits sur l'appareil ne sont donc pas exhaustifs. Avant d'utiliser une procédure, une méthode de travail ou une technique de fonctionnement qui n'est pas explicitement recommandée par le fabricant, il faut s'assurer de votre sécurité et de celle des personnes autour de vous. Il faut également s'assurer que l'équipement ne sera pas endommagé et qu'il ne sera pas une source de danger par la méthode de fonctionnement ou d'entretien que vous choisissez.

D'autres normes déterminent l'utilisation des gaz combustibles et des produits de chauffage à utilisations spécifiques. Les autorités locales peuvent vous conseiller à ce sujet.

La ou les bouteilles de GPL doivent être fournies par l'utilisateur. Utiliser ce chauffage uniquement avec un système de retrait de vapeur de propane. Se reporter au chapitre 5 de la norme ANSI/NFPA 58 (Standard for Storage and Handling of Liquefied Petroleum Gas) sur l'entreposage et la manipulation du GPL. Votre bibliothèque municipale ou votre service des incendies possèdent ce livret.

⚠ AVERTISSEMENT: NE JAMAIS LAISSER L'APPAREIL DE CHAUFFAGE SANS SURVEILLANCE LORSQU'IL FONCTIONNE OU LORSQU'IL EST BRANCHÉ À UNE SOURCE D'ALIMENTATION EN CARBURANT OU D'ÉLECTRICITÉ.

IMPORTANTES CONSIGNES DE SECURITE

1. Si le radiateur est utilisé en présence d'autres personnes, s'assurer de les informer des consignes de sécurité appropriées, des procédures d'utilisation et des risques impliqués. Certaines personnes sont plus affectées que d'autres par le monoxyde de carbone. Elles comprennent les femmes enceintes, les personnes souffrant de problèmes cardiaques ou pulmonaires, d'anémie, sous l'influence de l'alcool ou à des altitudes élevées.
2. Pression d'entrée du gaz: Min. 34,5 kPa (5 PSI) Max. 1034,2 kPa (150 PSI)
3. Vérifier dans le détail le radiateur et s'assurer qu'il n'est pas endommagé avant chaque utilisation. NE PAS utiliser un appareil endommagé.
4. NE PAS modifier ce radiateur ni utiliser un quelconque radiateur dont on a modifié son état d'origine. Toute modification de ce radiateur annule votre garantie.
5. Garder les enfants et les animaux loin du radiateur.
6. Toujours installer le radiateur sur une surface stable et de niveau et verrouiller les roulettes pour éviter son déplacement.
7. NE JAMAIS utiliser le radiateur dans un logement occupé sans assurer une ventilation adéquate.
8. Utiliser le radiateur de façon qu'il ne soit pas directement exposé à la pluie ou à de l'eau qui s'égoutte.
9. Laisser la zone où se trouve le radiateur libre de matériaux combustibles comme l'essence, les diluants à peinture et autres liquides ou vapeurs inflammables. La poussière est combustible. Ne pas utiliser le radiateur dans les endroits soumis à de grandes concentrations de poussière.
10. TOUJOURS garder à une distance sécuritaire par rapport aux combustibles.
11. NE JAMAIS laisser le radiateur sans surveillance.
12. Utiliser ce radiateur en conformité avec tous les codes locaux et avec CSA 5.90 U.S. (5e édition) pour radiateur infrarouge pour patio.
13. En l'absence de codes locaux, se reporter à la documentation suivante : Standard for the Storage and Handling of Liquefied Petroleum Gases, ANSI/NFPA 58 et Natural Gas and Propane Installation Code, CSA B149.1.
14. Il ne faut pas placer le radiateur sur un plancher fini.

CONSIGNES GÉNÉRALES DE SÉCURITÉ

ALIMENTATION AU PROPANE / INFORMATION

1. La ou les bouteilles de GPL doivent être fournies par l'utilisateur. Utiliser ce radiateur uniquement avec un système de retrait de vapeur de propane. Se reporter au chapitre 5 de la norme ANSI/NFPA 58 (Standard for Storage and Handling of Liquefied Petroleum Gas) sur l'entreposage et la manipulation du GPL. Votre bibliothèque municipale ou votre service des incendies possèdent ce livret.
2. La bouteille doit être équipée d'un collier qui protège le robinet de gaz, d'un dispositif de retrait de vapeur et d'un robinet d'arrêt à la sortie du robinet de la bouteille de propane, comme le spécifient les normes américaines pour les sorties et les entrées de robinet d'évacuation pour bouteille de gaz et raccordement d'entrée; et une soupape de sûreté en contact direct avec l'espace vapeur de la bouteille.
3. Toujours garder la bouteille en position debout. Éviter de cogner la bouteille sur son côté lorsque le tuyau/régulateur est raccordé, car ceci peut endommager le diaphragme du régulateur.
4. Ne jamais entreposer une bouteille de gaz propane liquide (GPL) dans un édifice ou à proximité d'un appareil qui brûle du gaz.
5. Protéger le robinet de la bouteille et le manipuler avec précaution.
6. S'assurer que le robinet d'arrêt est complètement fermé après chaque utilisation.
7. S'assurer de protéger le raccord POL contre tout dommage lors du débranchement. Si ce raccord est endommagé, il peut y avoir des fuites.
8. Ne jamais raccorder une bouteille sans régulateur au radiateur. Toujours utiliser le tuyau et le régulateur fournis.
9. Ne jamais utiliser un autre type de tuyaux et de régulateur.
10. Ne pas soumettre la bouteille à une chaleur excessive.

 **EXTRÊMEMENT CHAUD PENDANT LE FONCTIONNEMENT. NE TOUCHER À AUCUN COMPOSANT EN MÉTAL PENDANT LE FONCTIONNEMENT. GARDER L'ESSENCE ET TOUT AUTRE LIQUIDE INFLAMMABLE LOIN DU CHAUFFAGE.**

 **AVERTISSEMENT: NE JAMAIS LAISSER L'APPAREIL DE CHAUFFAGE SANS SURVEILLANCE LORSQU'IL FONCTIONNE OU LORSQU'IL EST BRANCHÉ À UNE SOURCE D'ALIMENTATION EN CARBURANT OU D'ÉLECTRICITÉ.**

 **NE PAS REJETER CHAUFFE DIRECTE ENVERS TOUTE BOUTEILLE DE PROPANE SITUÉ À 20 PIEDS DE L'APPAREIL.**

CARACTÉRISTIQUES DU PÉTROLE LIQUIDE (LP) :

1. Inflammable, explosif si sous pression, plus lourd que l'air et s'accumule au ras du sol.
2. Dans son état naturel, le gaz propane n'a aucune odeur, mais pour des raisons de sécurité un odorisant qui sent le chou pourri a été ajouté.
3. Un contact du pétrole liquide avec la peau peut causer des brûlures par le froid.
4. Le radiateur est fabriqué pour utiliser du GPL seulement. NE PAS tenter de le convertir vers un quelconque autre gaz. De telles modifications sont dangereuses et annulent la garantie.
5. Lorsque le radiateur n'est pas utilisé, l'alimentation en GPL doit être COUPÉE.

La quantité de GPL utilisée avec ce radiateur varie. Les deux facteurs déterminants sont:

1. La quantité de gaz dans la bouteille de GPL.
2. La température de la bouteille de GPL et de ses environs.

CARACTERÍSTICAS

ALLUMAGE PIÉZOÉLECTRIQUE :

Le modèle MH-0018-0D10 dispose d'un bouton allumeur manuel piézoélectrique pour produire une étincelle lorsque vous tournez le robinet de gaz à la position « PILOT » (veilleuse). L'étincelle enflamme le carburant au niveau de la veilleuse.

ARRÊT ANTIBASCULEMENT :

Le radiateur est protégé par un dispositif qui arrête l'appareil s'il est trop incliné.

CAPTEUR D'ÉPUISEMENT D'OXYGÈNE :

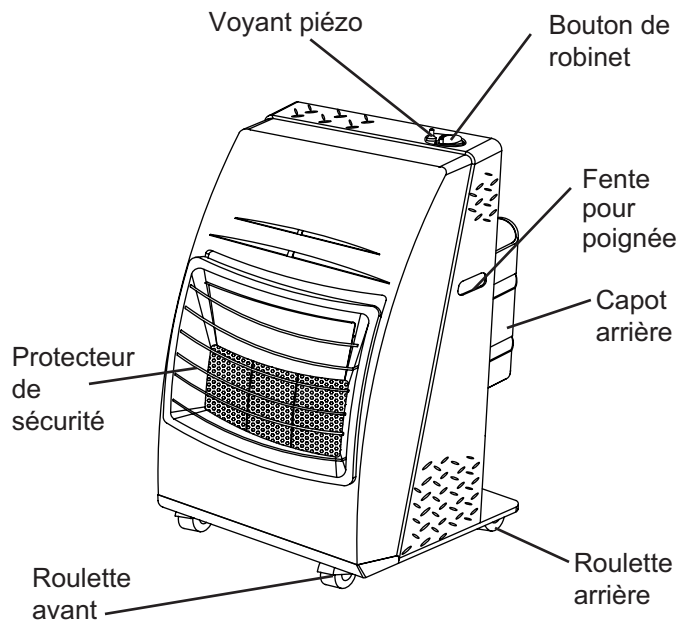
Ce radiateur utilise un capteur d'épuisement d'oxygène qui surveille le contenu d'oxygène dans l'espace chauffé. Si le niveau d'oxygène chute en bas de 18 %, la flamme n'entre plus en contact avec le thermocouple, ce qui coupe l'alimentation électrique et éteint le radiateur.

VALEURS NOMINALES D'ENTRÉE RÉGLABLES :

Le radiateur a trois niveaux de température (haut "•••", moyen "••" et faible "•"). Le bouton de la vanne est situé au dessus du radiateur, pour l'accès et le contrôle faciles.

⚠ AVERTISSEMENT: NE JAMAIS LAISSER L'APPAREIL DE CHAUFFAGE SANS SURVEILLANCE LORSQU'IL FONCTIONNE OU LORSQU'IL EST BRANCHÉ À UNE SOURCE D'ALIMENTATION EN CARBURANT OU D'ÉLECTRICITÉ.

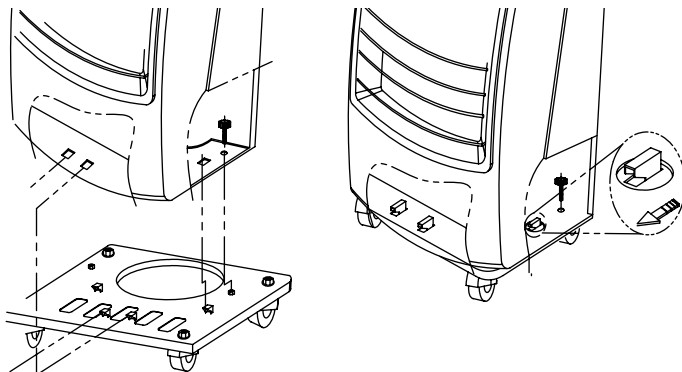
⚠ AVERTISSEMENT: CE RADIATEUR N'EST PAS CONÇU POUR UN USAGE RÉSIDENTIEL.



ASSEMBLAGE

DÉBALLAGE ET ASSEMBLAGE

1. Retirer le radiateur et sa base du carton (conserver le carton et les matériaux d'emballage pour l'entreposage).
2. Enlever tous les emballages protecteurs utilisés pour protéger le radiateur pendant l'expédition.
3. Placer la base sur une surface plane avec les roulettes au sol.
4. Aligner les trous de la partie inférieure du meuble du radiateur avec les onglets de verrouillage situés dans la partie supérieure de la base.
5. Installer le meuble du radiateur sur sa base en faisant glisser les onglets à travers les trous de la partie inférieure du meuble et en faisant glisser le meuble vers l'arrière sur environ 6 mm ou jusqu'à ce qu'il ne puisse plus bouger vers l'arrière.
6. Utiliser les vis de serrage pour fixer l'armoire du radiateur à sa base.
7. Vérifier attentivement qu'aucun dommage n'est survenu durant le transport. Si un quelconque dommage est détecté retourner le radiateur au détaillant qui vous l'a vendu.



⚠ AVERTISSEMENT: NE JAMAIS LAISSER L'APPAREIL DE CHAUFFAGE SANS SURVEILLANCE LORSQU'IL FONCTIONNE OU LORSQU'IL EST BRANCHÉ À UNE SOURCE D'ALIMENTATION EN CARBURANT OU D'ÉLECTRICITÉ.

⚠ AVERTISSEMENT: CE RADIATEUR N'EST PAS CONÇU POUR UN USAGE RÉSIDENTIEL.

VENTILATION

Attention : Toujours fournir une ouverture sur de l'air frais d'au moins 2800 cm² (3 pi²) pour chaque sortie de 100 000 TU/h. Prévoir une ouverture plus importante si plus d'un radiateur est utilisé. Par exemple, un radiateur MH-0018-0D10 nécessite :

- une porte de garage pour deux voitures ouverte sur 5 cm, ou
- une porte de garage pour une voiture ouverte sur 7,6 cm, ou
- deux fenêtres de 80 cm ouvertes sur 10 cm

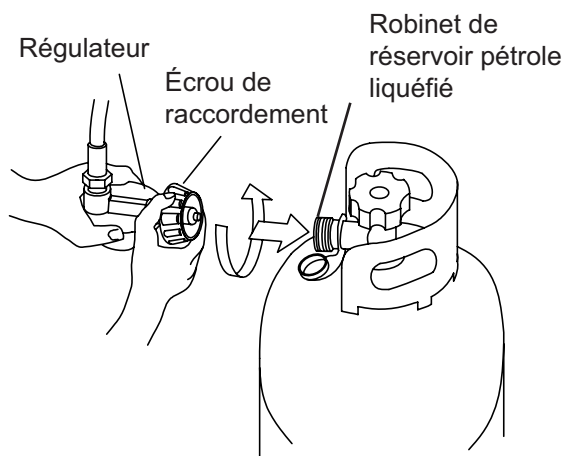
RACCORDEMENT À UNE ALIMENTATION EN GAZ

⚠ AVERTISSEMENT: LE RÉGULATEUR DE PRESSION ET LE TUYAU DU GPL FOURNIS AVEC CE RADIATEUR DOIVENT ÊTRE UTILISÉS SANS ÊTRE MODIFIÉS.

⚠ AVERTISSEMENT: VEILLER À INSPECTER LE TUYAU DU RÉGULATEUR AVANT CHAQUE USAGE. SI LE TUYAU EST COUPÉ OU ÉRAILLÉ, LE REMPLACER PAR UNE PIÈCE DU FABRICANT D'ORIGINE.

IMPORTANT! Toujours utiliser une bouteille de GPL munie d'un dispositif de raccordement compatible avec le tuyau et le régulateur fournis.

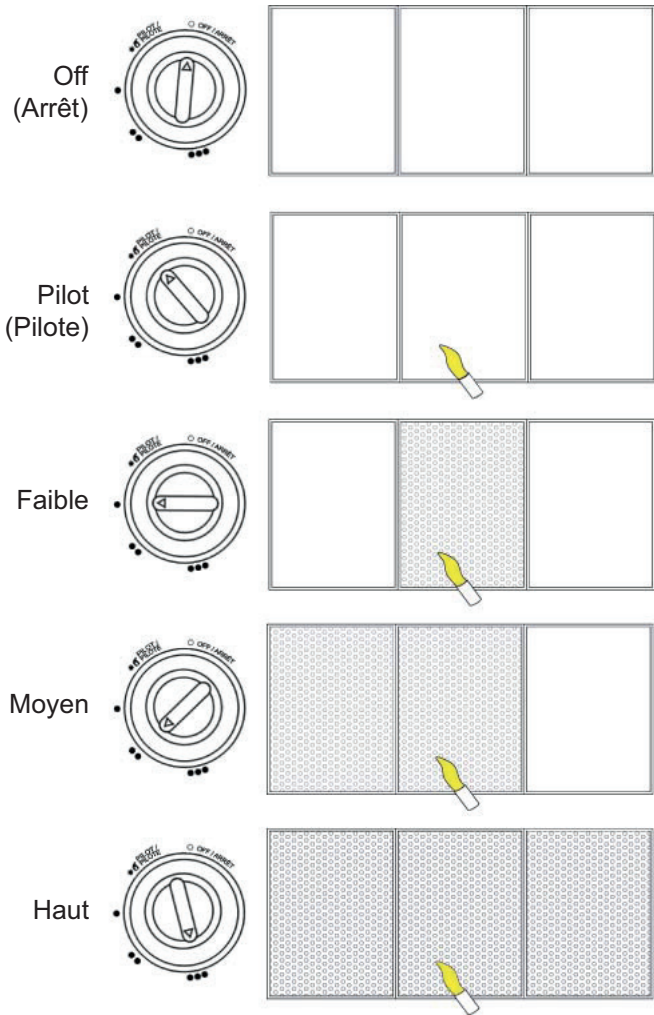
1. Enlever le couvercle arrière en le glissant vers le haut en ligne droite pour l'éloigner du corps du radiateur. Placer la bouteille de GPL sur la plaque inférieure et remettre en place le couvercle arrière.
2. Pour raccorder la bouteille de GPL, insérer leur accord d'extrémité du radiateur dans le robinet de la bouteille, tourner l'écrou de raccordement dans le sens horaire et serrer fermement.
3. Ouvrir lentement le robinet de la bouteille de propane. Si le robinet n'est pas ouvert lentement, le clapet de non retour de débit excessif situé dans le régulateur bloquera le débit de gaz. Dans ce cas, fermer le robinet, attendre une minute (ou jusqu'au son de déclic du clapet) et rouvrir lentement.
4. Veiller à respecter tous les raccordements pour y détecter des fuites en utilisant un mélange V50/50 de savon à vaisselle et d'eau. Des bulles qui apparaissent indiquent une fuite.



FONCTIONNEMENT

INSTRUCTIONS D'ALLUMAGE

1. Tournez la valve du robinet de gaz dans le sens antihoraire jusqu'à la position de marche (ON).
2. Tournez le bouton de la vanne du radiateur à la position d'arrêt (OFF).
3. Attendez cinq (5) minutes pour laisser évacuer tout le gaz. Essayez ensuite de détecter une odeur de gaz. Si aucune odeur n'est détectée, passez à la prochaine étape.
4. Maintenez le bouton de la vanne enfoncé et tournez-le jusqu'à la position « PILOT » (Pilote).
REMARQUE : S'il s'agit de la première utilisation du radiateur ou si le réservoir de propane a été remplacé, maintenez le bouton de la vanne enfoncé pendant environ 30 secondes pour permettre l'évacuation de l'air du système, puis tournez le bouton de la vanne à « PILOT » (Pilote).
5. Pendant que le bouton de la vanne est enfoncé, appuyez sur le bouton rouge d'allumage piézo pour allumer. Il peut être nécessaire d'appuyer sur le bouton d'allumage à plusieurs reprises pour allumer le panneau de brûleur central.
6. Continuez à maintenir le bouton de la vanne enfoncé pendant 30 secondes après que le panneau soit allumé. Cela chauffera le thermocouple. Après 30 secondes, relâchez le bouton de la valve.
7. Si le radiateur ne s'allume pas, ou ne reste pas allumé, répétez les étapes 2 à 6.
8. Lorsque le panneau brûleur central reste allumé, tournez le bouton de la vanne à la position désirée.



TEST DE MISE À FEU DU RADIATEUR

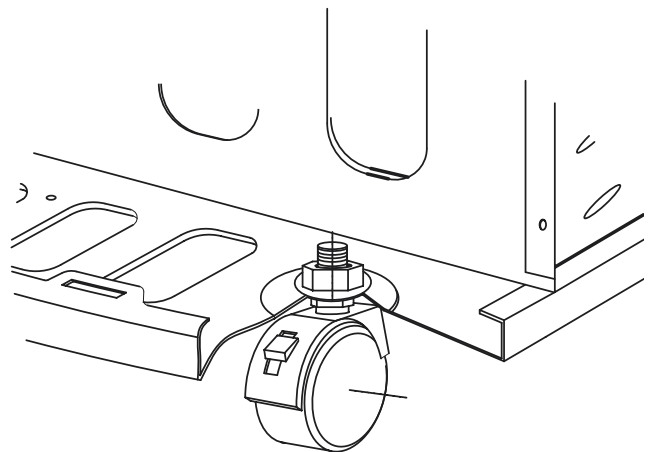
Il est toujours recommandé de tester la mise à feu du radiateur dans un environnement sécuritaire et contrôlé, dans un endroit bien ventilé, situé loin de tout matériau combustible, pour s'assurer que toutes les fonctions du radiateur et du système d'alimentation en gaz fonctionnent correctement. Vérifier tous les raccordements de gaz avec une solution 50/50 de savon à vaisselle et d'eau, pour y détecter des fuites. NE PAS utiliser de flamme pour vérifier la présence de fuites!

INSTRUCTIONS DE FERMETURE

1. Tournez le bouton de la vanne à la position d'arrêt (OFF).
2. Tournez la valve du robinet de gaz dans le sens horaire à la position d'arrêt (OFF).
3. Débranchez l'ensemble du tuyau du régulateur du réservoir de propane.

DÉPLACEMENT ET POSITIONNEMENT DU RADIATEUR

Chaque roulette avant du radiateur est dotée d'un frein pour maintenir l'appareil en place lorsqu'il est utilisé. Pour engager les freins, abaisser le levier sur chaque roulette. Pour déplacer le radiateur, dégager des freins en relevant les leviers sur les deux freins.



ENTRETIEN

ENTRETIEN ET ENTREPOSAGE

Toujours débrancher la bouteille de GPL du régulateur et l'enlever du radiateur avant d'entreposer celui-ci. Si pour une raison quelconque, le radiateur est entreposé à l'intérieur, le réservoir DOIT être débranché de la bouteille de GPL et entreposé à l'extérieur dans une zone bien ventilée, hors de portée des enfants, en conformité avec la dernière édition du Storage and Handling of Liquefied Gasses ANSI/NFPA 58. Le bouchon en plastique du robinet, ou son couvercle fourni avec la bouteille de GPL, doit être réinstallé sur le robinet pour protéger le raccord contre les dommages.

REMARQUE : Les réparations à ce radiateur doivent être effectuées par du personnel de service qualifié.

Il est recommandé de conserver tous les emballages livrés avec le radiateur pour les réutiliser afin d'entreposer l'appareil de manière sécuritaire. Les débris, la poussière et la saleté à l'intérieur du corps du radiateur peuvent affecter sa performance. Ces débris peuvent réduire la capacité du radiateur à aspirer de l'air pour la ventilation et la combustion. Des toiles d'araignées peuvent également être formées pendant les périodes d'inactivité. Veiller à inspecter le radiateur avant chaque utilisation pour y détecter de telles obstructions. S'assurer de garder tous les conduits d'air, le brûleur et les zones de combustion propres. Essuyer avec un chiffon humide ou utiliser un aspirateur pour nettoyer ces zones. Il est suggéré de nettoyer à fond au moins tous les 30 jours d'utilisation. Un nettoyage plus fréquent est recommandé si l'environnement contient une plus grande concentration de saletés.

Un pilote qui émet un bout de flamme jaune indique que le brûleur a probablement besoin d'être nettoyé.

⚠ NE JAMAIS ENTREPOSER UNE BOUTEILLE DE GPL À L'INTÉRIEUR D'UN ÉDIFICE OU À PROXIMITÉ D'AUTRES APPAREILS QUI BRÛLENT DU GAZ OU DE L'HUILE.

⚠ TOUJOURS S'ASSURER QUE LE RADIATEUR A REFROIDI PENDANT AU MOINS 30 MINUTES AVANT D'ENTREPOSER, DE RÉPARER OU D'EFFECTUER L'ENTRETIEN DE L'APPAREIL.

REPÉRAGE DES FUITES

Pour repérer les fuites, utiliser une solution 50/50 de savon à vaisselle et d'eau. Appliquer cette solution sur tous les raccords de gaz. Si des bulles apparaissent, il y a une fuite. Si une fuite est détectée, couper l'alimentation en gaz et refaire le raccord. Si la fuite persiste après plusieurs essais, contacter le service clientèle de Mi-T-M au 800-553-9053. L'installation de ce radiateur doit être conforme à tous les codes locaux et/ou aux exigences des services de gaz. En l'absence de codes locaux, suivre les directives du National Fuel Code ANSI Z223.1. Les dégagements minimaux pour tous matériaux de construction combustibles doivent être maintenus en tout temps.

⚠ TOUJOURS PLACER LE CHAUFFAGE SUR UNE SURFACE STABLE ET PLANE À L'ÉCART DES ENFANTS ET DES ANIMAUX.

⚠ AVERTISSEMENT: NE JAMAIS LAISSER L'APPAREIL DE CHAUFFAGE SANS SURVEILLANCE LORSQU'IL FONCTIONNE OU LORSQU'IL EST BRANCHÉ À UNE SOURCE D'ALIMENTATION EN CARBURANT OU D'ÉLECTRICITÉ.

⚠ AVERTISSEMENT: CE RADIATEUR N'EST PAS CONÇU POUR UN USAGE RÉSIDENTIEL.

TABLEAU DE DÉPANNAGE

Problème	Causes possibles	Solution
Le brûleur ne s'allume pas	1. Présence d'air dans la canalisation de gaz	1. Maintenir enfoncé le bouton de commande de gaz pendant au moins 30 secondes afin de purger tout l'air du système
	2. Pression du gaz de la bouteille trop basse	2. Vérifier la pression de la bouteille de GPL. Elle pourrait être vide
	3. Robinet de bouteille de GPL fermé	3. Ouvrir le robinet de la bouteille de GPL
	4. Obstruction dans la canalisation d'air	4. Inspecter et nettoyer et le meuble du radiateur
	5. Saleté dans l'orifice du pilote	5. Souffler dans ou nettoyer l'orifice du pilote
	6. Interrupteur de sécurité du robinet de la bouteille enclenché	6. Fermer le robinet de la bouteille de GPL. Attendre une minute pour que l'interrupteur se déclenche. Réouvrir lentement la bouteille de GPL
	7. Interrupteur à bascule enclenché	7. Placer le radiateur sur une surface de niveau
Aucune étincelle n'est produite lors de l'allumage	1. Électrode de l'allumeur mal placée	1. Placer correctement l'électrode
	2. Électrode endommagée ou cassée	2. Remplacer l'électrode
	3. Fil de l'allumeur desserré ou débranché	3. Serrer ou rebrancher le fil desserré
	4. Fil de l'allumeur brisé	4. Remplacer le fil de l'allumeur
Le radiateur s'arrête par lui-même	1. Thermocouple endommagé	1. Remplacer le thermocouple
	2. Robinet de commande de gaz endommagé	2. Remplacer le robinet de commande de gaz
	3. Fuite de gaz	3. Vérifier tous les raccords pour s'assurer qu'il n'y a pas de fuite en utilisant un mélange 50/50 de savon à vaisselle et d'eau. Réparer toute fuite
	4. Le thermocouple n'entre pas en contact avec la flamme de la veilleuse	4. Nettoyer l'intérieur du meuble du radiateur
	5. Interrupteur antibasculement endommagé, ou sa connexion desserrée	5. Inspecter l'interrupteur antibasculement et ses connexions. Remplacer au besoin
	6. Il n'y a plus de combustible	6. Remplacer la bouteille de GPL

⚠ AVERTISSEMENT: NE JAMAIS LAISSER L'APPAREIL DE CHAUFFAGE SANS SURVEILLANCE LORSQU'IL FONCTIONNE OU LORSQU'IL EST BRANCHÉ À UNE SOURCE D'ALIMENTATION EN CARBURANT OU D'ÉLECTRICITÉ.

⚠ AVERTISSEMENT: CE RADIATEUR N'EST PAS CONÇU POUR UN USAGE RÉSIDENTIEL.



BON DE GARANTIE

Mi-T-M garantit à l'acheteur au détail d'origine seulement que chauffage soufflant sur bouteille sera exempt de défauts de matière et de fabrication pendant une période d'un an à partir de la date de l'achat initial. Ce produit doit être installé, entretenu et utilisé correctement, en conformité avec les instructions fournies.

Mi-T-M exige une preuve raisonnable de la date d'achat chez un détaillant ou un distributeur autorisé. Il vous faut donc conserver votre preuve d'achat, facture ou chèque annulé pour l'achat d'origine. Cette garantie limitée couvre uniquement la réparation ou le remplacement des pièces jugées défectueuses dans des conditions d'utilisation et d'entretien normales pendant la période de garantie et Mi-T-M se réserve le droit de déterminer ceci à sa seule discrétion. Cette garantie ne couvre pas les pièces d'usure: filtres, ailettes, gicleurs et rotors.

Cette garantie limitée ne couvre pas toute défaillance ou difficulté d'utilisation résultant d'un usage normal, d'une usure normale, d'un accident, d'un abus, d'une mauvaise utilisation, d'une altération, d'un mauvais usage, d'une installation inadéquate ou encore d'une réparation ou d'un entretien inadéquats par vous ou par une quelconque tierce partie. Le fait de négliger d'effectuer l'entretien normal et de routine de ce chauffage, les dommages causés lors de l'expédition de l'expédition ou reliés à des insectes, des oiseaux ou des animaux ou encore à tout autre dommage résultant des conditions météorologiques ne sont pas couverts par cette garantie. En outre, cette garantie limitée ne couvre pas les dommages au fini, comme les égratignures, les encoches, la décoloration, la rouille ou d'autres dommages résultant des conditions météorologiques, et survenus après l'achat.

Tous les frais de transport pour le retour de produits ou de pièces endommagés doivent être défrayés par l'acheteur. Sur réception de l'article endommagé, Mi-T-M examinera l'article en question et déterminera s'il est défectueux. Mi-T-M réparera ou remplacera et retournera l'article frais de port payés. Si Mi-T-M détermine que l'article est dans un état d'utilisation normale, ou n'est pas défectueux, il sera retourné fret payable à l'arrivée. Cette garantie limitée remplace toute autre garantie explicite. Mi-T-M renonce à toute garantie de produits achetés de vendeurs autres que des détaillants ou distributeurs autorisés.

APRÈS UNE PÉRIODE D'UN (1) AN CETTE GARANTIE EXPRESSE EXPIRE, Mi-T-M RENONCE À TOUTE GARANTIE IMPLICITE INCLUANT, MAIS SANS S'Y LIMITER, TOUTE GARANTIE IMPLICITE DE QUALITÉ MARCHANDE OU D'ADAPTATION À UN USAGE PARTICULIER. EN OUTRE, Mi-T-M N'EST AUCUNEMENT RESPONSABLE ENVERS L'ACHETEUR OU ENVERS TOUTE TIERCE PARTIE POUR UN QUELCONQUE DOMMAGE INDIRECT, PUNITIF, CONNEXE OU FORTUIT. Mi-T-M n'assume aucune responsabilité pour un quelconque défaut causé par une tierce partie. Cette garantie limitée donne à l'acheteur des droits légaux spécifiques; un acheteur pourrait jouir d'autres droits selon de la juridiction où il réside. Certaines juridictions ne permettent pas l'exclusion ou la limitation des dommages spéciaux, indirects ou fortuits ou des limitations sur la durée d'une garantie; les limitations ci-dessus pourraient donc ne pas s'appliquer à votre cas.

Mi-T-M n'autorise aucune personne ou aucune entreprise à assumer pour elle une quelconque obligation ou responsabilité autre reliée à la vente, l'installation, l'utilisation, l'enlèvement, le retour ou le remplacement de ces équipements et aucune telle représentation ne lie en quelque manière Mi-T-M

Toujours s'assurer de spécifier le numéro de modèle et le numéro de série lors de toute demande à Mi-T-M

Pour service ou considération de garantie, contactez
Mi-T-M® Corporation, 8650 Enterprise Drive, Peosta, IA 52068
563-556-7484 / 800-553-9053 / Fax 563-556-1235
du lundi au vendredi, de 8h00 à 17h00, CST (heure centrale)

TABLA DE CONTENIDOS

INTRODUCCION	34
ADVERTENCIAS IMPORTANTES DE SEGURIDAD	35
ESPECIFICACIONES.....	39
GENERAL SAFETY INFORMATION	40
CARACTERÍSTICAS.....	42
ASAMBLEA.....	43
OPERACIÓN	44
MANTENIMIENTO	45
SOLUCIÓN DE PROBLEMAS.....	46
GARANTÍA LIMITADA	47

⚠ ADVERTENCIA GENERAL DE RIESGO: EL FRACASO DE CUMPLIR CON LAS PRECAUCIONES E INSTRUCCIONES PROVEÍDAS CON ESTA CALENTADORA PUEDE CAUSAR LA MUERTE, HERIDOS MUY GRAVES, EL DAÑO O PÉRDIDA DE PROPIEDAD POR LOS RIESGOS DE FUEGO, EXPLOSIÓN, QUEMADURA, ASFIXIA, ENVENENAMIENTO DEL MONÓXIDO DE CARBANO, Y/O CHOQUE ELÉCTRICO.

SOLO LAS PERSONAS QUE PUEDEN ENTENDER Y SEGUIR LAS INSTRUCCIONES DEBEN UTILIZAR O MANTENER SERVICIO DE ESTA CALENTADORA.

SI NECESITA ASISTENCIA, AYUDA O INFORMACIÓN DE LA CALENTADORA COMO UN MANUAL DE INSTRUCCIONES, ETIQUETA, ETC., SE PONGA EN CONTACTO CON EL FABRICANTE.

⚠ ADVERTENCIA: PELIGRO DE INCENDIO, QUEMADURA, INHALACIÓN Y EXPLOSIÓN. MANTENGA LOS COMBUSTIBLES SÓLIDOS COMO, POR EJEMPLO, MATERIALES DE CONSTRUCCIÓN, PAPEL Y CARTÓN, A UNA DISTANCIA PRUDENCIAL DEL CALENTADOR SEGÚN LO RECOMIENDAN LAS INSTRUCCIONES. NUNCA USE LA CALENTADORA EN ESPACIOS QUE CONTENGAN O PUEDAN CONTENER COMBUSTIBLES VOLÁTILES O EN SUSPENSIÓN EN EL AIRE NI PRODUCTOS COMO, POR EJEMPLO, GASOLINA, DISOLVENTES, SOLVENTES DE PINTURA, PARTÍCULAS DE POLVO O QUÍMICOS DESCONOCIDOS.

⚠ ADVERTENCIA: NO PARA USO EN LA CASA O VEHÍCULO RECREACIONAL

Este calentador está diseñado para usarse en edificaciones en construcción de acuerdo con las normas ANSI Z83.7-2011/CSA 2.14-2011.

⚠ WARNING

ADVERTENCIA: Este producto tiene plomo, una sustancia química conocida al Estado de California a causar cáncer y defectos de nacimiento u otro daño reproductivo.

Lávese las manos después de usar este producto.

⚠ ADVERTENCIA

Este producto contiene química conocida por el estado de California a causar cancer, defectos de nacimiento, y otros peligros reproductor.

INTRODUCCION

¡Felicitaciones por la compra de su nueva compresor de aire eléctrico! Puede estar seguro que su compresor de aire eléctrico fue construida con el nivel más. Cada componente ha sido probado rigurosamente por técnicos para asegurar la calidad, la resistencia y el rendimiento de esta unidad.

Este manual del operador fue compilado para su beneficio. Leyendo y siguiendo los pasos simples de seguridad, instalación, operación, mantenimiento y localización de fallas descritos en este manual ayudará a prolongar aun más la operación libre de fallas que usted puede esperar de su compresor de aire eléctrico. El contenido de este manual está basado en la información actualizada disponible al momento de la publicación. Mi-T-M® se reserva el derecho de efectuar cambios en precio, color, materiales, equipo, especificaciones o modelos en cualquier momento sin previo aviso.

¡IMPORTANTE!

Estos párrafos están rodeados por una “CASILLA DE ALERTA DE SEGURIDAD”. Esta casilla se usa par designar y enfatizar las Advertencias de Seguridad que deben seguirse al operar esta lavadora a presión. Acompañando a las Advertencias de Seguridad están las “palabras de alerta” que designan el grado o nivel de seriedad de riesgo. Las “palabras de alerta” usadas en este manual son las siguientes:

PELIGRO: Indica una situación inminente riesgosa la cual, si no se evita, RESULTARA en la muerte o en lesiones graves.

ADVERTENCIA: Indica una situación potencialmente riesgosa la cual, si no se evita, PODRIA resultar en la muerte o en lesiones graves.

PRECAUCION: Indica una situación potencialmente riesgosa la cual, si no se evita PUEDE resultar en lesiones menores o moderadas.



El símbolo indicado a la izquierda de este párrafo es el “Símbolo de Alerta de Seguridad”. Este símbolo se usa para alertarlo acerca de artículos o procedimientos que podrían ser peligrosos para usted u otras personas usando este equipo.

PROVEA SIEMPRE UNA COPIA DE ESTE MANUAL A CUALQUIER PERSONA QUE USE ESTE EQUIPO. LEA TODAS LAS INSTRUCCIONES ANTES DE OPERAR ESTA LAVADORA A PRESION, OBSERVANDO EN PARTICULAR LAS “ADVERTENCIAS DE SEGURIDAD” PARA EVITAR LA POSIBILIDAD DE LESIONES PERSONALES AL OPERADOR.

Escriba el número de serie de su unidad en el espacio provisto abajo, una vez que la unidad haya sido desempacada.

NUMERO DE SERIE _____




Inspeccione por daño el contenido de la caja. Si algo parece dañado, NO LA DEVUELVA AL LUGAR DE COMPRA. Llame a su representante de servicio al cliente de al 800-553-9053.

Por favor tenga disponible la información siguiente para todas las llamadas de servicio:

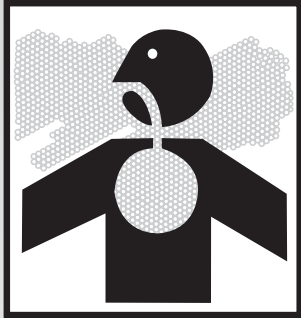
1. Número de modelo
2. Número de serie
3. Fecha y lugar de compra

Mi-T-M® Corporation
8650 Enterprise Drive
Peosta, IA 52068-0050


ADVERTENCIAS IMPORTANTES DE SEGURIDAD


Hazard	Potential Consequence	Prevention
<p>RIESGO DE EXPLOSIÓN O DE INCENDIO</p>  	<p>La herida o la muerte graves pueden ocurrir de chispas eléctricas normales en el interruptor de motor y presión</p> <p>La herida grave puede ocurrir la entrada o salida del aire de la calentadora son bloqueadas.</p> <p>La herida o la muerte graves pueden ocurrir si combustibles impropios son utilizados, si calentadora esta operando al rellenar.</p> <p>La herida grave puede ocurrir si calentadora no está en la superficie nivel y está lejos de contacto con niños y animales.</p>	<p>Siempre opere calentadora en un área bien ventilada libre de vapores inflamables, polvo combustible, los gases u otras materias combustibles..</p> <p>Nunca ponga los objetos enfrente de entrada del aire (trasero) ni salida de aire (frente) de calentadora. Nunca utilice el trabajo de conducto en la frente ni en trasero de calentadora. Mantenga toda materia combustible lejos de esta calentadora.</p> <p>Esta calentadora está MUY CALIENTE mientras en la operación.</p> <p>El almacenamiento del combustible del bulto debe ser un mínimo de 25 Pies de calentadoras, de las antorchas, de generadores portátiles, o de otras fuentes de ignición. Todo almacenamiento del combustible debe ser de acuerdo con federal, el estado, o las administración local que tienen jurisdicción.</p> <p>Nunca movimiento ni maneja calentadora mientras todavía caliente.</p> <p>SIEMPRE mantenga la calentadora en una superficie de establo y nivel. SIEMPRE mantenga a niños y animales lejos de calentadora.</p>
<p>RIESGO DE QUEMADURAS</p> 	<p>La herida grave podría ocurrir de tocar partes metálicas expuestas. Estas áreas pueden quedarse caliente durante un tiempo después de que la calentadora sea apagada.</p>	<p>Never allow any part of your body or other materials to make contact with any exposed metal parts on the heater.</p>

ADVERTENCIAS IMPORTANTES DE SEGURIDAD

Hazard	Potential Consequence	Prevention
<p>RISQUE DE PROBLEME RESPIRATOIRE</p> 	<p>La herida o la muerte graves podrían ocurrir del fracaso para tener ventilación apropiada según este manual.</p>	<p>Éste es un calentador de acción directa. Acción directa significa que todos los productos de la combustión ingresan al espacio que se está calentando. Este calentador tiene una eficiencia de combustión del 98%, pero aun así produce pequeñas cantidades de monóxido de carbono. El monóxido de carbono es tóxico. Los humanos pueden tolerar pequeñas cantidades de monóxido de carbono y, por tanto, deben tomarse las medidas de precaución necesarias para suministrar una ventilación adecuada.</p> <p>Si no se suministra la adecuada ventilación indicada en este manual, se puede ocasionar la muerte. Las primeras etapas de intoxicación por monóxido de carbono producen síntomas similares a los de la gripe. Los síntomas que puede sufrir si la ventilación no es la adecuada son: * dolor de cabeza * mareo * irritación de la nariz y los ojos * náusea * boca seca * irritación de la garganta</p> <p>Las personas con problemas de respirar deben consultar a un médico antes de utilizar la calentadora. El Envenenamiento del Monóxido de carbono: Los signos tempranos de envenenamiento de monóxido de carbono se parecen a síntomas que son similares al gripe como dolores de cabeza, al mareo, y/o a la náusea. Si usted tiene estos síntomas, su calentadora no puede estar trabajando apropiadamente.</p> <p>¡Consiga aire fresco inmediatamente! La calentadora necesita atención pronto. Algunas personas son afectadas mas por monóxido de carbono que otros. Estos incluyen a mujeres embarazadas, éstos con problemas del corazón o problemas pulmonares, con la anemia, o con éstos ebrio, o a grandes altitudes. Nunca utilice esta calentadora en áreas de viviendo ni áreas durmientes.</p>

ADVERTENCIAS IMPORTANTES DE SEGURIDAD

 PELIGRO DE INCENDIO, QUEMADURA, INHALACIÓN Y EXPLOSIÓN. MANTENGA LOS COMBUSTIBLES SÓLIDOS COMO, POR EJEMPLO, MATERIALES DE CONSTRUCCIÓN, PAPEL Y CARTÓN, A UNA DISTANCIA PRUDENCIAL DEL CALENTADOR SEGÚN LO RECOMIENDAN LAS INSTRUCCIONES. NUNCA USE EL CALENTADOR EN ESPACIOS QUE CONTENGAN O PUEDAN CONTENER COMBUSTIBLES VOLÁTILES O EN SUSPENSIÓN EN EL AIRE NI PRODUCTOS COMO, POR EJEMPLO, GASOLINA, DISOLVENTES, SOLVENTES DE PINTURA, PARTÍCULAS DE POLVO O QUÍMICOS DESCONOCIDOS.

 RIESGO DE INHALACIÓN DE MONÓXIDO DE CARBONO ESTE CALENTADOR PRODUCE MONÓXIDO DE CARBONO, QUE ES UN GAS INODORO. ENCENDER EL CALENTADOR EN UN ESPACIO CERRADO PUEDE OCASIONARLE LA MUERTE. NUNCA USE EL CALENTADOR EN ESPACIOS CERRADOS COMO, POR EJEMPLO, TIENDAS, REMOLQUES, CUALQUIER TIPO DE VEHÍCULO (ENTRE ELLOS, VEHÍCULOS DE USO RECREATIVO), RECINTOS CERRADOS, ETC. NO DEBE UTILIZARSE EN ÁREAS RESIDENCIALES NI EN ESPACIOS CERRADOS CON MALA VENTILACIÓN. NUNCA INGRESE O ALMACENE UN CILINDRO DE PROPANO EN ESPACIOS INTERIORES.

 SI NO SE OBSERVA EXACTAMENTE LA INFORMACIÓN CONTENIDA EN ESTE MANUAL, PUEDE PRODUCIRSE UN INCENDIO O UNA EXPLOSIÓN QUE, A SU VEZ, PUEDE OCASIONAR DAÑOS MATERIALES, LESIONES PERSONALES O PÉRDIDA DE VIDAS.

NO GUARDE NI UTILICE GASOLINA U OTROS GASES Y LÍQUIDOS INFLAMABLES CERCA DE ESTE O CUALQUIER OTRO ARTEFACTO..

NO DEBE GUARDARSE CILINDROS DE PL DESCONECTADOS CERCA DE ESTE O CUALQUIER OTRO ARTEFACTO..

QUÉ HACER SI SIENTE OLOR A GAS:

No trate de encender el calentador

Apague toda clase de llama viva

Cierre el suministro de gas del calentador


Si continúa el olor, póngase en contacto con la empresa de gas o el cuerpo de bomberos de su localidad

No toque ningún interruptor eléctrico ni utilice ningún teléfono de la edificación en que se encuentre

Llame inmediatamente a la empresa de gas desde el teléfono de un vecino. Siga las instrucciones de la empresa de gas

Si no puede comunicarse con la empresa de gas, llame al cuerpo de bomberos

Sólo técnicos cualificados o la empresa de gas pueden hacer la reparación

 EL ESTADO DE CALIFORNIA EXIGE QUE SE HAGA LA SIGUIENTE ADVERTENCIA (PROPOSICIÓN 65): LOS PRODUCTOS DERIVADOS DE LA COMBUSTIÓN QUE PRODUCE ESTE PRODUCTO CONTIENEN MONÓXIDO DE CARBONO, UN COMPUESTO QUÍMICO QUE EL ESTADO DE CALIFORNIA RECONOCE COMO CAUSANTE DE CÁNCER Y MALFORMACIONES CONGÉNITAS (Y OTROS DAÑOS DEL SISTEMA REPRODUCTOR). NO USE ESTE CALENTADOR HASTA QUE HAYA LEÍDO Y ENTENDIDO TOTALMENTE ESTAS INSTRUCCIONES DE SEGURIDAD Y OPERACIÓN. SI NO SE CUMPLE CON LAS PRECAUCIONES E INSTRUCCIONES SUMINISTRADAS CON ESTE CALENTADOR, SE PUEDE SUFRIR LA MUERTE, LESIONES CORPORALES Y PÉRDIDAS MATERIALES COMO CONSECUENCIA DE INCENDIO, EXPLOSIÓN, QUEMADURA, ASFIXIA E INTOXICACIÓN POR MONÓXIDO DE CARBONO. SÓLO LAS PERSONAS QUE PUEDAN LEER Y ENTENDER ESTAS INSTRUCCIONES PUEDEN UTILIZAR O DARLE SERVICIO A ESTE CALENTADOR.

 ¡ADVERTENCIA! ESTE CALENTADOR NO SE HA DISEÑADO PARA USO RESIDENCIAL.

 ADVERTENCIA: NUNCA DEJE DESATENDIDA LA CALENTADORA MIENTRAS ESTE ENCENDIDO O ESTE CONECTADA A UNA FUENTE ELÉCTRICO/ DE ALIMENTACIÓN, O CUANDO ESTE CONECTADA A UNA FUENTE DE COMBUSTIBLE.

 ¡GUARDE ESTAS INSTRUCCIONES! 

ADVERTENCIA

**LAS PAGINAS SIGUIENTES CONTIENEN INSTRUCCIONES
DE OPERACION Y MANTENIMIENTO**

**NO TRATE DE OPERAR ESTA LAVADORA A PRESION
HASTA QUE HAYA LEIDO Y ENTENDIDO TODAS LAS
PRECAUCIONES DE INSTRUCCIONES DE SEGURIDAD
LISTADAS EN ESTE MANUAL.**

**¡¡LA OPERACION INCORRECTA DE ESTA UNIDAD
PUEDECAUSAR LESIONES GRAVES!!**

**¡¡DE NINGUNA MANERA ALTERE O MODIFIQUE
ESTEEQUIPO!!**

**ADVERTENCIA: NUNCA DEJE DESATENDIDA LA
CALENTADORA MIENTRAS ESTE ENCENDIDO O
ESTE CONECTADA A UNA FUENTE ELÉCTRICO/ DE
ALIMENTACIÓN, O CUANDO ESTE CONECTADA A UNA
FUENTE DE COMBUSTIBLE.**

ESPECIFICACIONES

Model	MH-0018-0D10
Ritmo – Reducido (BTU)	6,600
Ritmo - Medio (BTU)	12,000
Ritmo - Elevado (BTU)	18,000
área de calefacción - R / M / E (Sq. Ft.)	210 / 390 / 600
Consumpcion - R / M / E (libra/Hora)	.304 / .552 / .828
Tamaño requerido para el cilindro	20 lb
Horas máximas de funcionamiento - R / M / E (para el cilindro de 20 libras)	72 / 36 / 24
Combustible	Propane
Manifold Pressure	11.00" W.C.
Peso (Libras de peso total de / Net lbs.)	22 / 19.4
Tamaño de la unidad (con el retenedor del cilindro) (Longitud x Ancho X altura)	15.1 x 17.8 x 24.2
Tamaño de la caja (Longitud x Ancho X altura)	15.1 x 13.6 x 23

Separación mínima entre el calentador y los combustibles:	
	MH-0018-0D10
Parte superior	61 cm
Lados	30.5 cm
Parte delantera	183 cm

INFORMACION GENERAL DE SEGURIDAD

⚠ ADVERTENCIA: EL USO IMPROPIO DE ESTA CALENTADORA PUEDE RESULTAR CON HERIDA O MUERTE GRAVES DE QUEMADURAS, EL FUEGO, LA EXPLOSION, GOLPE ELECTRICO Y/O ENVENENAMIENTO DE MONOXIDO DE CARBONO .

⚠ ADVERTENCIA: NO ES PARA EL USO EN CASA NI EL USO DE CARAVANA PEQUEÑA.

⚠ LA ASAMBLEA DE LA MANGA SERA PROTEGIDA DEL TRAFICO, EL MATERIAL DE CONSTRUCCION Y CONTACTO CON SUPERFICIES CALIENTES DURANTE USO Y MIENTRAS EN EL ALMACENAMIENTO.

Lea detenida y completamente este Manual del usuario antes de intentar usar o darle mantenimiento a este calentador. El uso inadecuado del calentador puede ocasionar lesiones graves o la muerte debido a incendio, explosión o envenenamiento por monóxido de carbono.

Toda posible circunstancia que podría implicar un peligro no puede ser anticipada. Las advertencias que aparecen en este manual y en la unidad no cubren por tanto todo. Si se utiliza un procedimiento, método de trabajo o técnica de operación no específicamente recomendado por Mi-T-M, usted deberá asegurarse que es seguro para usted y para otros. También deberá asegurarse que no se dañará el equipo ni se hará éste inseguro por el método de operación o mantenimiento que usted elija. CONSULTE CON LAS AUTORIDADES DE SEGURIDAD DE INCENDIOS DE SU LOCALIDAD SI TIENE ALGUNA DUDA SOBRE EL USO DE ESTE CALENTADOR.

Otras normas rigen el uso de gases combustibles y materiales productores de calor en aplicaciones específicas. Sus autoridades locales pueden asesorarle sobre esas normas.

La ou les bouteilles de GPL doivent être fournies par l'utilisateur. Utiliser ce radiateur uniquement avec un système de retrait de vapeur de propane. Se reporter au chapitre 5 de la norme ANSI/NFPA 58 (Standard for Storage and Handling of Liquefied Petroleum Gas) sur l'entreposage et la manipulation du GPL. Votre bibliothèque municipale ou votre service des incendies possèdent ce livret.

⚠ ADVERTENCIA: NUNCA DEJE DESATENDIDA LA CALENTADORA MIENTRAS ESTE ENCENDIDO O ESTE CONECTADA A UNA FUENTE ELÉCTRICO/ DE ALIMENTACIÓN, O CUANDO ESTE CONECTADA A UNA FUENTE DE COMBUSTIBLE.

IMPORTANT SAFETY INFORMATION


1. Si está utilizando el calentador en la presencia de terceros, asegúrese de informarles de todas las precauciones de seguridad, procedimientos de uso y riesgos correspondientes. El monóxido de carbono afecta más a algunas personas que a otras. Estas son las mujeres embarazadas, personas con enfermedades del pulmón o corazón, anemia, aquellos que estén bajo la influencia del alcohol o a altas alturas o elevaciones.
2. Presión de gas de entrada Mín 34.5 kPa , Máx 1034.2 kPa
3. Cada vez que vaya a usar el calentador, revíselo antes minuciosamente para verificar que no esté dañado. NO utilice el calentador si está dañado.
4. NO modifique este calentador ni utilice calentadores que se hayan modificado respecto a su estado original. Hacerle modificaciones a este calentador anula su garantía.
5. Mantenga a los niños y animales lejos del calentador.
6. Coloque siempre el calentador sobre una superficie estable y nivelada, y bloquee las ruedas para evitar que se desplace.
7. NUNCA use el calentador en viviendas habitadas sin la ventilación suficiente.
8. Úselo de manera que el calentador no tenga contacto directo con lluvia ni gotas de agua.
9. Mantenga el área del calentador libre de materiales combustibles como, por ejemplo, gasolina, solventes de pintura y otros líquidos y gases inflamables. El polvo es combustible. No use el calentador en áreas de alta concentración de polvo.
10. SIEMPRE manténgalo a suficiente distancia de materiales combustibles.
11. NUNCA deje desatendido el calentador.
12. Use el calentador de acuerdo con todos los reglamentos y la norma CSA 5.90. de EE.UU. (5.a Ed.) para calentadores de infrarrojos para patios.
13. En la ausencia de reglamentos locales, consulte la Norma para el almacenamiento y la manipulación de gases licuados de petróleo, ANSI/NFPA 58, y el Código de instalaciones de gas natural y propano, CSA B149.1.
14. Este calentador no debe utilizarse en pisos acabados.

INFORMACION GENERAL DE SEGURIDAD

INFORMACIÓN ACERCA DEL SUMINISTRO DE PROPANO

1. Usted debe suministrar el gas y los cilindros de propano. Utilice este calentador sólo con sistemas de suministro de propano con dispositivo de recuperación de vapores. Consulte el capítulo 5 de la norma para el almacenamiento y la manipulación de gas licuado de petróleo, ANSI/NFPA 58. La biblioteca o el cuerpo de bomberos de su localidad deben tener este folleto.
2. El cilindro debe estar provisto de un collarín que proteja la válvula de gas, un dispositivo de eliminación de vapores, una válvula de cierre al final de la salida de la válvula del cilindro, como dicta la Norma nacional estadounidense para conexiones de salida y entrada de válvulas de cilindros de gas comprimido, y una válvula de alivio de seguridad que haga contacto directo con el espacio de vapores del tanque.
3. Siempre mantenga el cilindro en posición vertical. Evite volcar accidentalmente el cilindro sobre un costado estando la manguera o el regulador conectados, ya que podría estropearse el diafragma del regulador.
4. Nunca guarde cilindros de propano (PL) en el interior de edificaciones ni cerca de aparatos que quemen gas.
5. Proteja la válvula del cilindro y manéjela con cuidado.
6. Compruebe que la válvula de cierre haya quedado firmemente cerrada cada vez que termine de usar el aparato.
7. Asegúrese de proteger el conector POL después de desconectarlo. Si se dañara, este adaptador podría dar lugar a fugas de gas.
8. Nunca conecte al calentador un cilindro sin regulador. Siempre use la manguera y el regulador suministrados.
9. Nunca use ningún otro tipo de manguera o regulador.
10. No someta el cilindro a calor excesivo.

 **EXTREMADAMENTE CALIENTE CUANDO LA UNIDAD ESTÁ ENCENDIDA. NO TOQUE LOS ELEMENTOS METÁLICOS MIENTRAS ESTÉ ENCENDIDA LA UNIDAD. MANTENGA EL CALENTADOR ALEJADO DE GASOLINA Y OTROS LÍQUIDOS INFLAMABLES.**

 **ADVERTENCIA: NO ES PARA EL USO EN CASA NI EL USO DE CARAVANA PEQUEÑA. LA ASAMBLEA DE LA MANGA SERA PROTEGIDA DEL TRAFICO, EL MATERIAL DE CONSTRUCCION Y CONTACTO CON SUPERFICIES CALIENTES DURANTE USO Y MIENTRAS EN EL ALMACENAMIENTO.**

 **EVITAR QUE EL CALENTADOR DIRECTO HACIA CUALQUIER CILINDRO DE GAS PROPANO UBICADA A 20 METROS DEL CALENTADOR.**

CARACTERÍSTICAS DEL PL:

1. Inflamable, explosivo bajo presión, más pesado que el aire y se acumula en niveles bajos.
2. En su estado natural, el propano es inodoro pero, por seguridad, se le añade un odorizante que huele a repollo podrido.
3. El contacto del gas de PL con la piel puede producirle quemaduras de congelación.
4. El calentador se ha fabricado para usarse sólo con gas de PL. NO trate de hacerle modificaciones que permitan usarlo con otro gas. Estas modificaciones son peligrosas y anulan su garantía.
5. Cuando no se use el calentador, debe cerrarse el suministro de PL.

La cantidad de gas de PL que utiliza este calentador varía, y está determinada por estos factores:

1. La cantidad de gas contenido en el cilindro de PL.
2. La temperatura del cilindro de PL y del área circundante. Advertencia: Nunca deje desatendida la calentadora mientras este encendido o este conectada a una fuente eléctrico/ de alimentación, o cuando este conectada a una fuente de combustible.

CARACTERÍSTICAS

CARACTERÍSTICAS DEL PRODUCTO

IGNICIÓN PIEZOELECTRÓNICA:

El modelo MH-0018-0D10 utiliza un botón ignitor piezoeléctrico, que envía una chispa cuando usted gira la perilla de la válvula del gas hacia "PILOTO". La chispa enciende el combustible en el piloto.

SISTEMA DE APAGADO POR INTERRUPTOR DE INCLINACIÓN:

El calentador está protegido por un sistema que lo apaga si se inclina considerablemente en cualquier dirección.

SENSOR DE AGOTAMIENTO DE OXÍGENO (ODS):

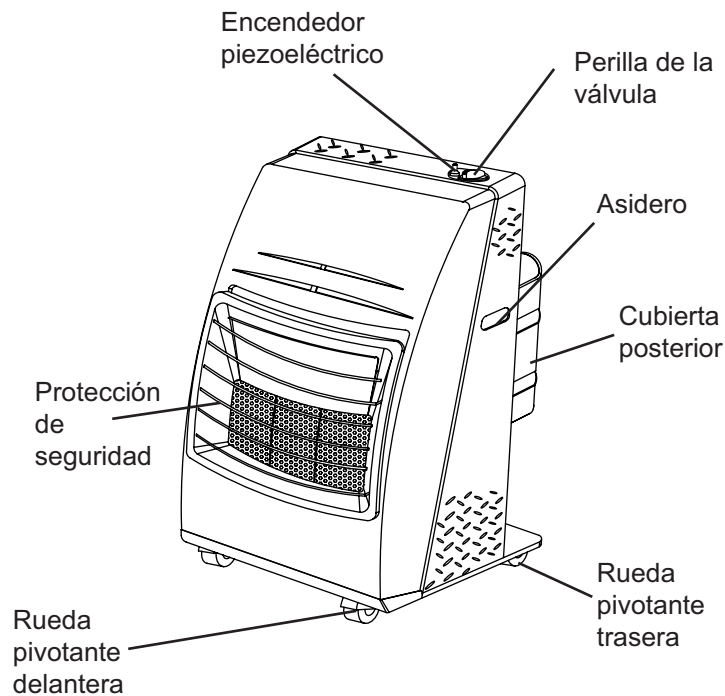
Este calentador utiliza un sensor de agotamiento de oxígeno (ODS) que comprueba el contenido de oxígeno del espacio que se está calentando. Si el nivel de oxígeno cae por debajo del 18%, la llama deja de hacer contacto con el termopar, se interrumpe la corriente eléctrica y se apaga el calentador.

NIVELES AJUSTABLES DE ENTRADA:

Niveles ajustables de entrada: El calentador tiene 3 niveles de temperatura (alta "●●●", media "●●" y baja "●"). La Perilla de la válvula está convenientemente ubicada en la parte superior del calentador, lo que facilita su acceso y control.

⚠ ADVERTENCIA: NUNCA DEJE DESATENDIDA LA CALENTADORA MIENTRAS ESTE ENCENDIDO O ESTE CONECTADA A UNA FUENTE ELÉCTRICO/ DE ALIMENTACIÓN, O CUANDO ESTE CONECTADA A UNA FUENTE DE COMBUSTIBLE.

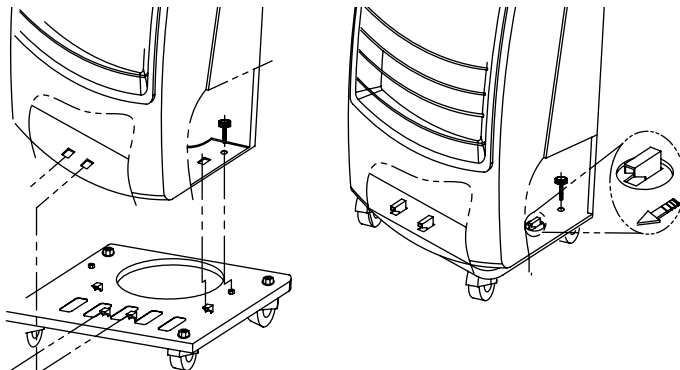
⚠ ADVERTENCIA! ESTE CALENTADOR NO SE HA DISEÑADO PARA USO RESIDENCIAL.



ASAMBLEA

DESEMBALAJE Y MONTAJE

1. Saque el calentador y la base de la caja de cartón (conservé la caja de cartón y los materiales de embalaje para guardar el producto en el futuro).
2. Quite todos los embalajes que sirvieron de protección al calentador durante el transporte.
3. Ponga la base del calentador sobre una superficie plana con las ruedas en el piso.
4. Alinee los agujeros de la parte inferior del gabinete del calentador respecto a las lengüetas de fijación de la cara superior de la base.
5. Monte el gabinete del calentador en la base del calentador pasando las lengüetas a través de los agujeros de la parte inferior del gabinete y deslizando el gabinete hacia atrás unos 6 mm o hasta alcanzar el tope.
6. Use tornillos de mariposa para fijar el gabinete del calentador a la base del calentador.
7. Examine detenidamente el calentador y verifique que no haya sufrido daños durante el transporte. Si hubo daños, devuelva el calentador al establecimiento donde lo compró.



⚠ ADVERTENCIA: NUNCA DEJE DESATENDIDA LA CALENTADORA MIENTRAS ESTE ENCENDIDO O ESTE CONECTADA A UNA FUENTE ELÉCTRICO/ DE ALIMENTACIÓN, O CUANDO ESTE CONECTADA A UNA FUENTE DE COMBUSTIBLE.

⚠ ADVERTENCIA! ESTE CALENTADOR NO SE HA DISEÑADO PARA USO RESIDENCIAL.

VENTILACIÓN

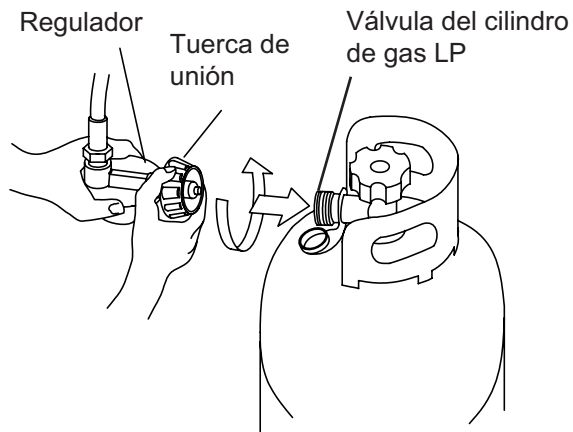
Precaución: En el espacio que busca calentar, proporcione una entrada de aire fresco de al menos 2,800 cm² por cada 100,000 Btu/h de salida del calentador. Proporcione una abertura más grande si se utilizan más calentadores. Por ejemplo, para un calentador MH-0018-0D10, será necesario:

- dejar abierta 5 cm una puerta de garaje para dos vehículos, o
- dejar abierta 7.6 cm una puerta de garaje para un solo vehículo, o
- dejar abiertas 10 cm dos ventanas de 80 cm de ancho

CONEXIÓN DEL SUMINISTRO DE GAS

¡IMPORTANTE! Siempre use cilindros de propano (PL) que tengan dispositivos de conexión compatibles con el conjunto de manguera y regulador que se proporciona.

1. Desmonte la cubierta trasera deslizándola directamente hacia arriba y separándola del cuerpo del calentador. Coloque el cilindro de PL en la chapa inferior y vuelva a montar la cubierta trasera.
2. Para conectar el cilindro de PL, introduzca el conector terminal del regulador en la válvula del cilindro, gire la tuerca de unión a la derecha y apriete firmemente
3. Abra lentamente la válvula del cilindro de propano. Si la válvula no se abre lentamente, la válvula de control de flujo excesivo del regulador interrumpe el paso del gas. Si así fuera, cierre la válvula, espere un minuto (o hasta escuchar el chasquido de la válvula) y vuelva a abrir, lentamente.
4. Asegúrese de verificar que no escape gas por ninguna conexión mediante una mezcla de partes iguales de jabón lavaplatos y agua. La salida de burbujas, por pequeñas que sean, es signo de fugas.



OPERACIÓN

INSTRUCCIONES DE ENCENDIDO

1. Gire la perilla en el cilindro de gas LP hacia la izquierda (en contra de las manecillas del reloj) hacia la posición ON.
2. Gire la perilla de la válvula en el calentador hacia la posición OFF.
3. Espere (5) minutos para que se vaya el gas. Compruebe si huele a gas. Si no hay presencia de gas, proceda con el siguiente paso.
4. Oprima la perilla de la válvula y gírela hasta piloto "PILOT".

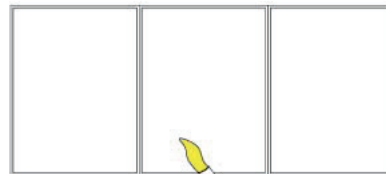
NOTA: Si esta es la primera vez que usa el calentador, o si cambió el cilindro de gas LP, mantenga oprimida la perilla de la válvula por unos 30 segundos aproximadamente para permitir que se purgue el aire del sistema, luego gire la perilla de la válvula a Piloto "PILOT".

5. Mientras oprime la perilla de la válvula, gire el botón rojo del ignitor piezoeléctrico para encender. Puede ser necesario oprimir varias veces el botón del ignitor para encender el panel del quemador central.
6. Siga manteniendo oprimida la perilla de la válvula durante 30 segundos después de que se encienda el panel. Esto calentará el par termoelectrónico. Después de 30 segundos, suelte la perilla de la válvula.
7. Si el calentador no enciende, o no se mantiene encendido, repita los pasos 2 al 6.
8. Cuando el panel del quemador central permanezca encendido, gira la perilla de la válvula al ajuste deseado.

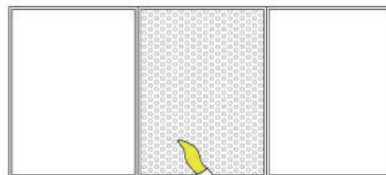
Off
(Apagar)



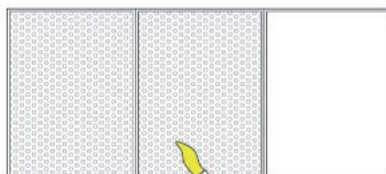
Pilot
(Piloto)



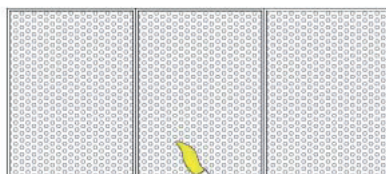
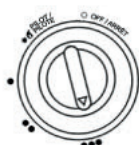
Baja



Media



Alta



PROBAR EL CALENTADOR

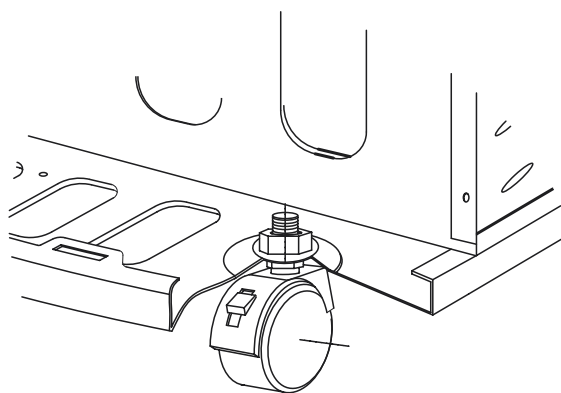
Siempre es buena idea probar el calentador en un medio seguro y controlado, en un espacio con suficiente ventilación y sin la presencia de ningún tipo de combustible, para comprobar que funcionen correctamente todos los dispositivos del calentador y del sistema de suministro de gas. Verifique que no escape gas por ninguna conexión mediante una solución de partes iguales de jabón lavaplatos y agua. ¡NO utilice fuego para verificar la presencia de fugas!

INSTRUCCIONES DE APAGADO

1. Gire la perilla de la válvula hacia la posición OFF.
2. Gire la perilla en el cilindro de gas LP hacia la derecha (en el sentido de las manecillas del reloj) hasta la posición OFF.
3. Desconecte el ensamble de la manguera del regulador del cilindro de gas LP.

CÓMO MOVER Y SITUAR EL CALENTADOR

Cada una de las ruedas delanteras del calentador está provista de un freno que permite fijarla en el lugar donde vaya a usarse el aparato. Para accionar los frenos, baje la palanca de cada rueda. Si interesa mover el calentador, basta con subir las palancas correspondientes de cada rueda para soltar los frenos.



⚠️ ADVERTENCIA: NUNCA DEJE DESATENDIDA LA CALENTADORA MIENTRAS ESTE ENCENDIDO O ESTE CONECTADA A UNA FUENTE ELÉCTRICO/ DE ALIMENTACIÓN, O CUANDO ESTE CONECTADA A UNA FUENTE DE COMBUSTIBLE.

MANTENIMIENTO

MANTENIMIENTO Y ALMACENAMIENTO

Siempre desconecte el cilindro de PL del conjunto del regulador y sepárelo del calentador antes de guardarlo. Si por cualquier razón debe almacenarse el calentador dentro de la edificación, SE DEBE desconectar el cilindro de PL y guardar afuera, en un espacio bien ventilado y fuera del alcance de los niños, de acuerdo con la más reciente edición de la Norma para el almacenamiento y la manipulación de gases licuados, ANSI/NFPA 58. Para proteger el conector, debe reinstalarse el tapón o la tapa plástica de la válvula que se suministró con el cilindro de PL.

AVISO: La reparación de este calentador debe confiarse a un técnico calificado.

Se recomienda conservar todos los embalajes que acompañaban al calentador y volver a embalarlo con ellos para guardarlo protegido. La acumulación de residuos, polvo y suciedad dentro del cuerpo del calentador puede reducir su desempeño. Los residuos pueden impedir que el calentador tome aire del medio para fines de ventilación y combustión. Además, también pueden formarse telarañas durante los lapsos de inactividad. Asegúrese de examinar el calentador cada vez que vaya a usarlo, para verificar que no tenga este tipo de obstrucciones. Compruebe la limpieza de todos los pasos de aire y las áreas de quemadores y combustión. Para limpiar estas áreas, use un paño húmedo o una aspiradora. Se sugiere limpiar minuciosamente al menos cada 30 días de uso. Quizá sea necesario limpiar el calentador con más frecuencia si las condiciones son de por sí contaminantes.

Si la punta de la llama es amarilla, debe limpiarse el área de quemadores.

 **NUNCA GUARDE CILINDROS DE PL EN EL INTERIOR DE EDIFICACIONES NI CERCA DE APARATOS QUE QUEMEN GAS O ACEITE.**

 **SIEMPRE ASEGÚRESE DE DEJAR ENFRIAR EL CALENTADOR AL MENOS 30 MINUTOS ANTES DE GUARDAR, REPARAR O DAR MANTENIMIENTO.**

VERIFICACIÓN DE FUGAS

Para verificar la presencia de fugas, haga una solución de partes iguales de agua y jabón lavaplatos. Aplique esta solución en todas las conexiones de gas. Si salen burbujas, hay una fuga. Si detecta fugas, cierre el suministro de gas y vuelva a hacer la conexión por donde escapa el gas. Si la fuga continúa al cabo de varios intentos, póngase en contacto con Asistencia al Cliente de Pinnacle por el 215-891-8460. La instalación de este calentador debe cumplir con todos los códigos locales y todos los requisitos del servicio público de gas. En la ausencia de códigos locales, debe observarse el Código Nacional de Combustibles, ANSI Z223.1. Deben mantenerse en todo momento las separaciones mínimas respecto a cualquier material de construcción que sea combustible.

 **PRECAUCION MANTENGA SIEMPRE EL CALENTADOR FUERA DEL ALCANCE DE LOS NIÑOS.**

 **ADVERTENCIA: NUNCA DEJE DESATENDIDA LA CALENTADORA MIENTRAS ESTE ENCENDIDO O ESTE CONECTADA A UNA FUENTE ELÉCTRICO/ DE ALIMENTACIÓN, O CUANDO ESTE CONECTADA A UNA FUENTE DE COMBUSTIBLE.**

 **¡ADVERTENCIA! ESTE CALENTADOR NO SE HA DISEÑADO PARA USO RESIDENCIAL.**

SOLUCIÓN DE PROBLEMAS

Problema	Causa posible	Solución
El quemador no se enciende	1. Aire en el conducto de gas	1. Oprima la perilla de regulación del gas al menos 30 segundos para vaciar el aire que pueda haber en el conducto
	2. Muy baja presión de gas del cilindro	2. Compruebe la presión del cilindro de PL. Quizá esté vacío el tanque
	3. Cerrada la válvula del cilindro de PL	3. Abra la válvula del cilindro de PL
	4. Obstruido el paso de aire	4. Examine y limpie la caja del calentador
	5. Suciedad en el orificio del quemador piloto	5. Sople o limpie el orificio del quemador piloto
	6. Accionado el interruptor de seguridad de la válvula del cilindro	6. Cierre la válvula del cilindro de propano. Espere un minuto a que haga un chasquido el interruptor. Vuelva a abrir lentamente el cilindro de PL
	7. Accionado el interruptor de vuelco	7. Lleve el calentador a una superficie nivelada
No se produce chispa cuando se intenta encender	1. Electrodo del encendedor en posición incorrecta	1. Corrija la posición del electrodo
	2. Electrodo dañado o roto	2. Reemplace el electrodo
	3. Alambre del encendedor suelto o desconectado	3. Apriete o vuelva a conectar el alambre suelto
	4. Alambre del encendedor roto	4. Reemplace el alambre del encendedor
El calentador se apaga solo	1. Termopar averiado	1. Reemplace el termopar
	2. Válvula de control de gas averiada	2. Reemplace la válvula de control de gas
	3. Fuga de gas	3. Válgase de una solución de partes iguales de jabón lavaplatos y agua para verificar la presencia de fugas en todas las conexiones. Repare todas las fugas detectadas
	4. Termopar no hace contacto con llama piloto	4. Limpie el interior de la caja del calentador
	5. Interruptor de vuelco averiado o conexión suelta en el interruptor de inclinación	5. Examine el interruptor de inclinación y las conexiones. Reemplace si es necesario
	6. Sin combustible	6. Reemplace el cilindro de PL

⚠ ADVERTENCIA: NUNCA DEJE DESATENDIDA LA CALENTADORA MIENTRAS ESTE ENCENDIDO O ESTE CONECTADA A UNA FUENTE ELÉCTRICO/ DE ALIMENTACIÓN, O CUANDO ESTE CONECTADA A UNA FUENTE DE COMBUSTIBLE.

⚠ ¡ADVERTENCIA! ESTE CALENTADOR NO SE HA DISEÑADO PARA USO RESIDENCIAL.



GARANTIA LIMITADA

Garantía limitada de protemp. Por un año. Mi-T-M le garantiza al Usuario original que los modelos tratados en este manual de los calentadores de aceite portátiles Protemp® están libres de defectos en la mano de obra o el material, cuando se les somete a uso Normal, por un año a partir de la fecha de compra. Cualquier parte que se halle defectuosa, ya sea en el material o en la mano de obra, y sea devuelta (con los costos de envío pagados por Adelantado) a un centro de servicio autorizado designado por Mi-T-M, será reparada o reemplazada (no Existe otra posibilidad) según lo determine Mi-T-M. Para obtener información sobre los procedimientos de reclamo cubiertos en la garantía limitada, vea la sección "atención oportuna" que aparece más adelante. Esta garantía limitada confiere al comprador derechos legales específicos que varían de jurisdicción a jurisdicción.

Límites de responsabilidad. En la medida en que las leyes aplicables lo permitan, la responsabilidad de Mi-T-M por los daños emergentes o incidentales está expresamente excluida. La responsabilidad de Mi-T-M expresamente está limitada y no puede exceder el precio de compra pagado por el artículo. Exclusión de responsabilidad de la garantía. Se han hecho esfuerzos diligentes para proporcionar información e ilustraciones apropiadas sobre el producto en este manual; sin embargo, esta información y las ilustraciones tienen como único propósito la identificación del producto y no EX-PRESAN NI IMPLICAN GARANTÍA DE QUE LOS PRODUCTOS SEAN VENDIBLES O ADECUADOS PARA UN PROPÓSITO EN PARTICULAR NI QUE SE AJUSTAN NECESARIAMENTE A LAS ILUSTRACIONES O DESCRIPCIONES. CON EXCEPCIÓN DE LO QUE SE ESTABLECE A CONTINUACIÓN, MI-T-M NO HACE NI AUTORIZA NINGUNA GARANTÍA O AFIRMACIÓN DE HECHO, EXPRESA O IMPLÍCITA, QUE NO SEA ESTIPULADA EN LA "GARANTÍA LIMITADA" ANTERIOR. Consejo Técnico y Recomendaciones, Exclusiones de Responsabilidad. A pesar de las prácticas, negociaciones o usos comerciales realizados previamente, las ventas no deberán incluir el suministro de consejo técnico o asistencia o diseño del sistema. Mi-T-M no asume ninguna obligación o responsabilidad por recomendaciones, opiniones o consejos no autorizados sobre la elección, instalación o uso de los productos. Adaptación del Producto. Muchas jurisdicciones tienen códigos o regulaciones que rigen la venta, la construcción, la instalación y/o el uso de productos para ciertos propósitos que pueden variar con respecto a los aplicables a las zonas vecinas. Si bien se trata de que los productos Mi-T-M cumplan con dichos códigos, no se puede garantizar su conformidad y no se puede hacer responsable por la forma en que se instale o use su producto. Antes de comprar y usar el producto, revise su aplicación y todos los códigos y regulaciones nacionales y locales aplicables y asegúrese de que el producto, la instalación y el uso los cumplan. Ciertos aspectos de limitación de responsabilidad no se aplican a productos al consumidor; es decir (a) algunas jurisdicciones no permiten la exclusión ni limitación de daños incidentales o consecuentes, de modo que las limitaciones o exclusiones anteriores quizás no apliquen en su caso; (b) asimismo, algunas jurisdicciones no permiten limitar el plazo de una garantía implícita, por lo tanto, la limitación anterior quizás no aplique en su caso; y (c) por ley, mientras la Garantía Limitada esté vigente no podrán excluirse ni limitarse en modo alguno ninguna garantía implícita de comercialización o de idoneidad para un propósito en particular aplicables a los productos al consumidor adquiridos por éste. Atención Oportuna. Se hará un esfuerzo de buena fe para corregir puntualmente, o hacer otros ajustes, con respecto a cualquier producto que resulte defectuoso dentro de los términos de esta garantía limitada. En el caso de que encuentre un producto defectuoso y que esté cubierto dentro de los límites de esta garantía haga el favor de escribir primero, o llame, al distribuidor a quien le compró el producto. El distribuidor le dará las instrucciones adicionales. Si no puede resolver el problema en forma satisfactoria, escriba a Mi-T-M a la dirección a continuación, dando el nombre del distribuidor, su dirección, la fecha y el número de la factura del distribuidor y describa la naturaleza del defecto. La propiedad del artículo y el riesgo de pérdida pasan al comprador en el momento de la entrega del artículo a la compañía de transporte. Si el producto se daña durante el transporte, debe presentar su reclamo a la compañía transportista.

For Service or Warranty Consideration, contact
Mi-T-M® Corporation, 8650 Enterprise Drive, Peosta, IA 52068
563-556-7484 / 800-553-9053 / Fax 563-556-1235
Monday - Friday 8:00 a.m. - 5:00 p.m. CST

Manufactured by Mi-T-M
8650 Enterprise Drive, Peosta IA 52068
563-556-7484/ Fax 563-556-1235