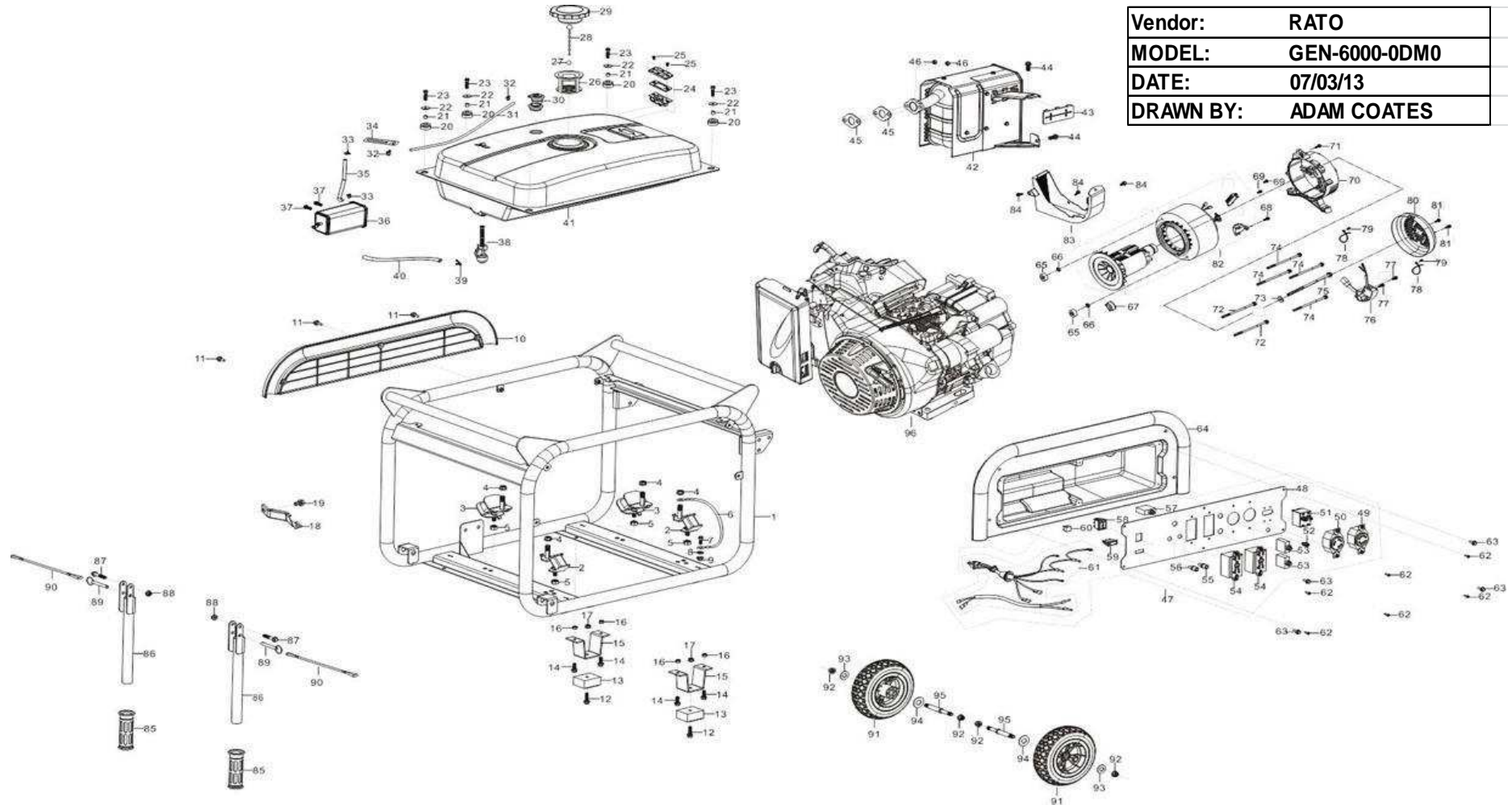


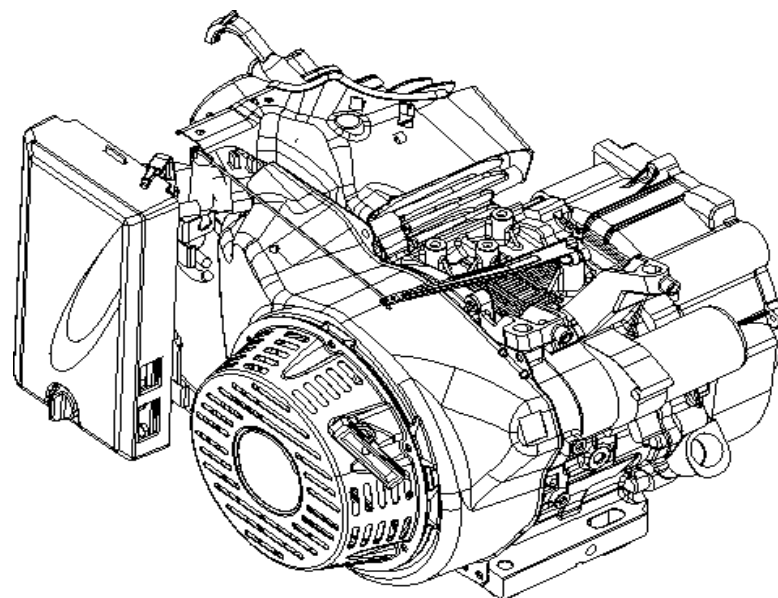
6000W MiTM Outdoor Generator EPA3

Vendor:	RATO
MODEL:	GEN-6000-ODM0
DATE:	07/03/13
DRAWN BY:	ADAM COATES



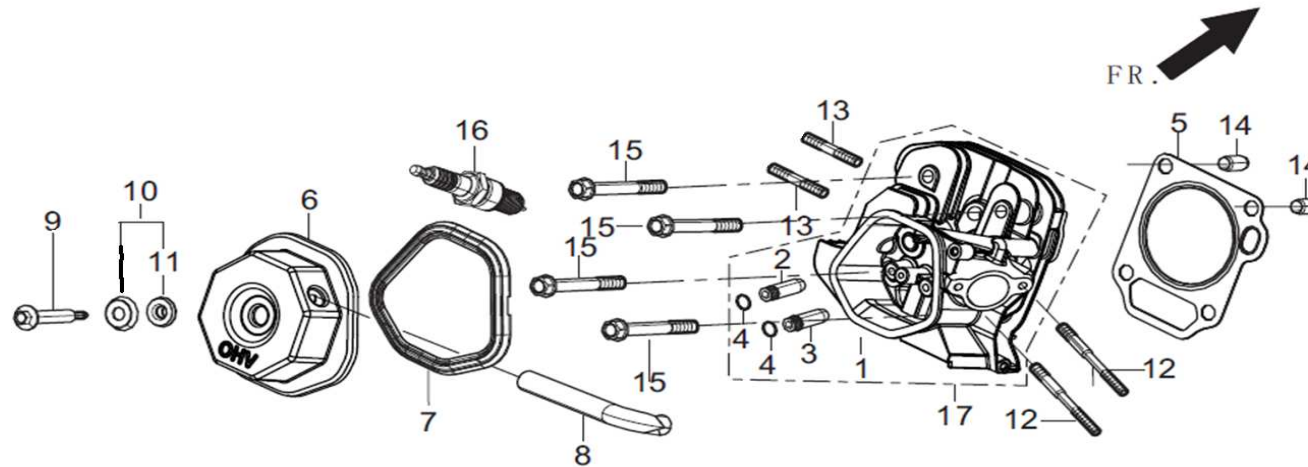
DATE:	DESCRIPTION:	BY:
9/16/2013	ADDED 1-0226 ENGINE, 45-0674 AIR CLEANER ELEMENT, 80-0051 CURRENT SENSOR, AND 80-0049 CARBON BRUSH	ALC

FIG.1 ENGINE



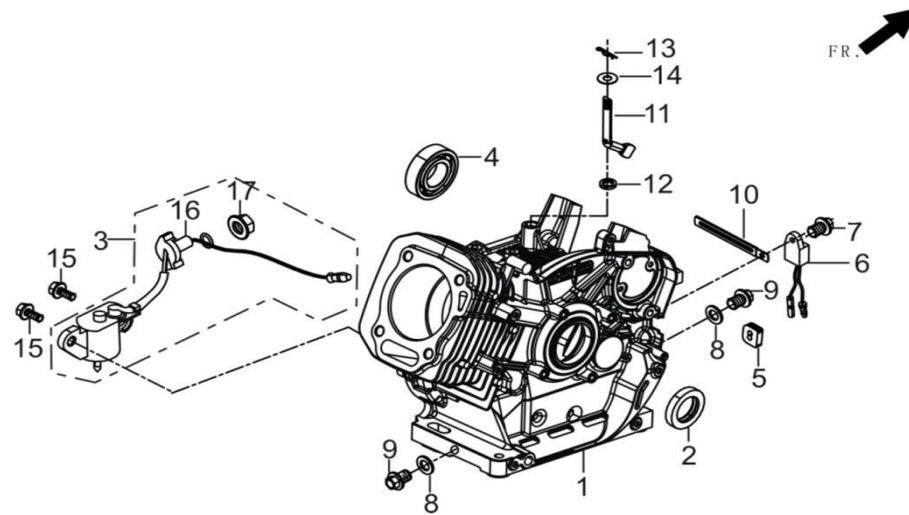
REF.NO.	DESCRIPTION	QTY	MiTM	RATO
1-01	ENGINE	1	1-0226	R390MR000F3-MMT002

FIG.2 CYLINDER HEAD SUBASSEMBLY



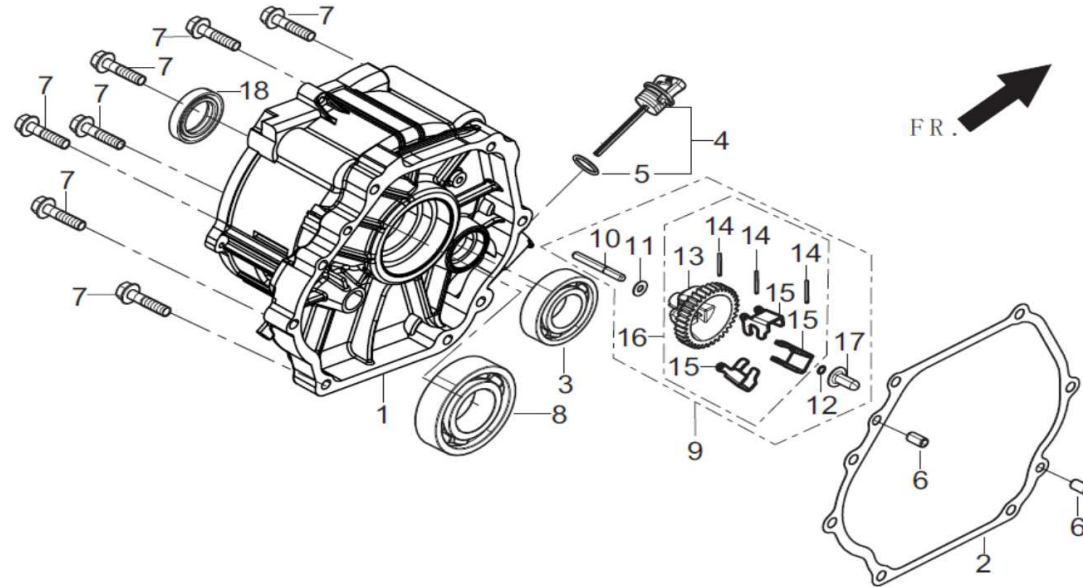
REF.NO.	DESCRIPTION	QTY	MiTM	RATO
2-05	GASKET-CYLINDER HEAD	1	45-0558	12131-Z100110-0000
2-06	CYLINDER HEAD COVER SUBASSY	1	45-0559	12410-Z580110-0199
2-07	GASKET-CYLINDER HEAD COVER	1	45-0560	12004-Z580110-0099
2-08	TUBE-BREATHER	1	45-0561	17004-Z080320-0000
2-09	BOLT-CYLINDER HEAD COVER	1	45-0562	12032-Z080110-0100
2-10	WASHER-CYLINDER HEAD COVER	1	45-0563	12034-Z080110-0099
2-12	STUD-CARBURETOR	2	45-0564	90204-Z100410-0000
2-13	STUD	2	45-0468	90203-Z010110-0000
2-14	PIN	2	45-0330	90502-1220-00
2-15	BOLT-CYLINDER HEAD	4	45-0239	12003-Z080110-0000
2-16	SPARK PLUG	1	45-0310	30010-Z010210-0000
2-17	CYLINDER HEAD SUBASSY	1	45-0416	12140-Z190220-0B99

FIG.3 CRANKCASE/GOVERNOR GEAR ASSEMBLY



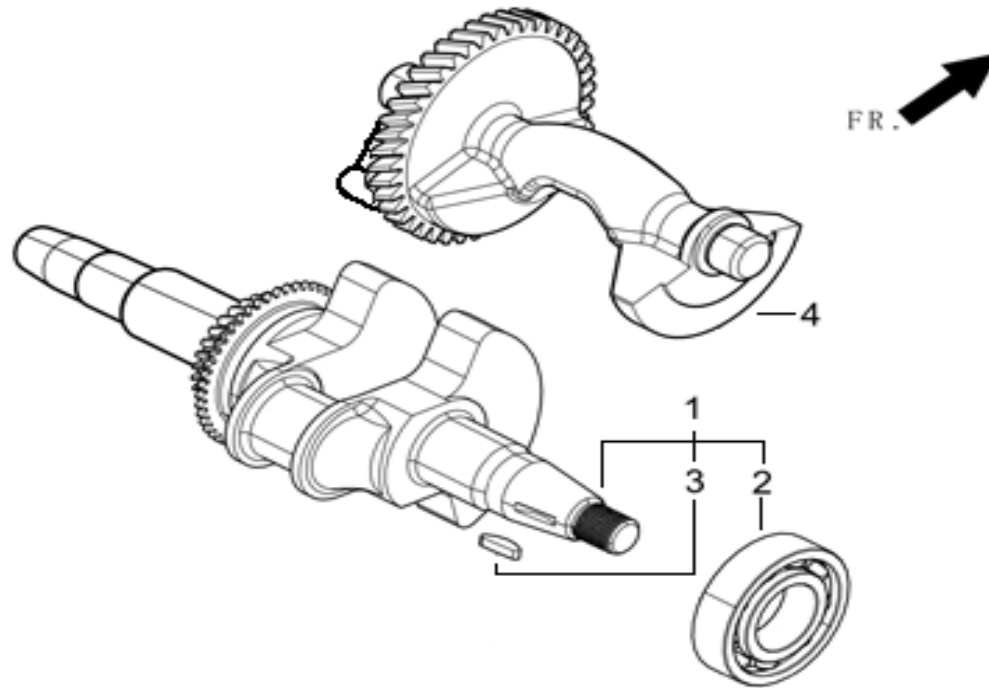
REF.NO.	DESCRIPTION	QTY	MiTM	RATO
3-01	CRANKCASE SUBASSY	1	45-0565	11310-Z100310-0B00
3-02	SEAL-OIL	1	45-0566	90682-Z310110-0000
3-03	SENSOR-ENGINE OIL	1	45-0314	37060-Z080110-0000
3-04	BEARING-GOV GEAR	1	45-0567	90548-0202-CL
3-05	PLUG-RUBBER	1	45-0306	28101-Z080110-0000
3-06	PROTECTOR-OIL	1	45-0313	37050-Z010210-0000
3-07	BOLT-OIL PROTECTOR	1	45-0315	90001-0612-01
3-08	WASHER-DRAIN PLUG	2	45-0326	90412-Z080110-0000
3-09	BOLT-DRAIN PLUG	2	45-0236	11007-Z080110-0000
3-10	CLIP	1	45-0335	90684-Z030120-0000
3-11	GOVERNOR ARM	1	45-0278	16061-Z100110-0000
3-12	SEAL-OIL	1	45-0334	90682-Z100210-0000
3-13	PIN	1	45-0238	90501-Z010110-0000
3-14	WASHER-GOVERNOR ARM	1	45-0327	90412-Z080210-0000
3-15	BOLT	2	45-0316	90001-0616-01

FIG.4 CRANKCASE COVER SUBASSEMBLY / GOVERNOR GEAR ASSEMBLY



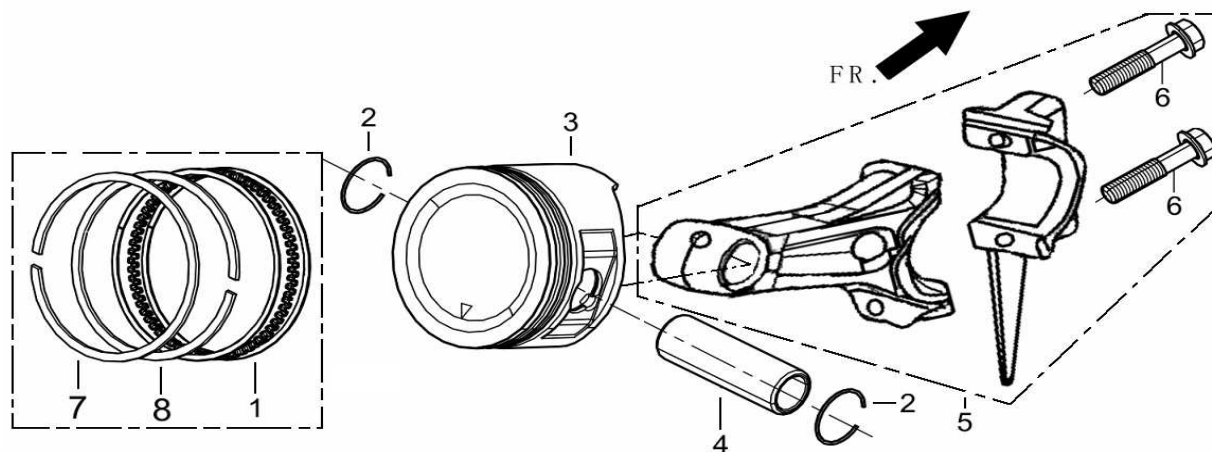
REF.NO.	DESCRIPTION	QTY	MiTM	RATO
4-01	COVER-CRANKCASE	1	45-0568	11411-Z100610-0B00
4-02	GASKET-CRANKCASE	1	45-0419	11001-Z100210-0000
4-03	BEARING-GOV GEAR	1	45-0567	90548-0202-CL
4-04	DIPSTICK-OIL	1	45-0569	15010-Z080320-Q500
4-06	PIN-GASKET	2	45-0570	90502-0812-00
4-07	BOLT-CRANKCASE	7	45-0321	90001-0840-01
4-08	BEARING-CRANK SHAFT	1	45-0571	90547-0207-CL
4-09	GOVERNOR GEAR ASSY	1	45-0284	16400-Z100110-0000
4-18	SEAL-OIL	1	45-0566	90682-Z310110-0000

FIG.5 CRANKSHAFT CONNETING ROD



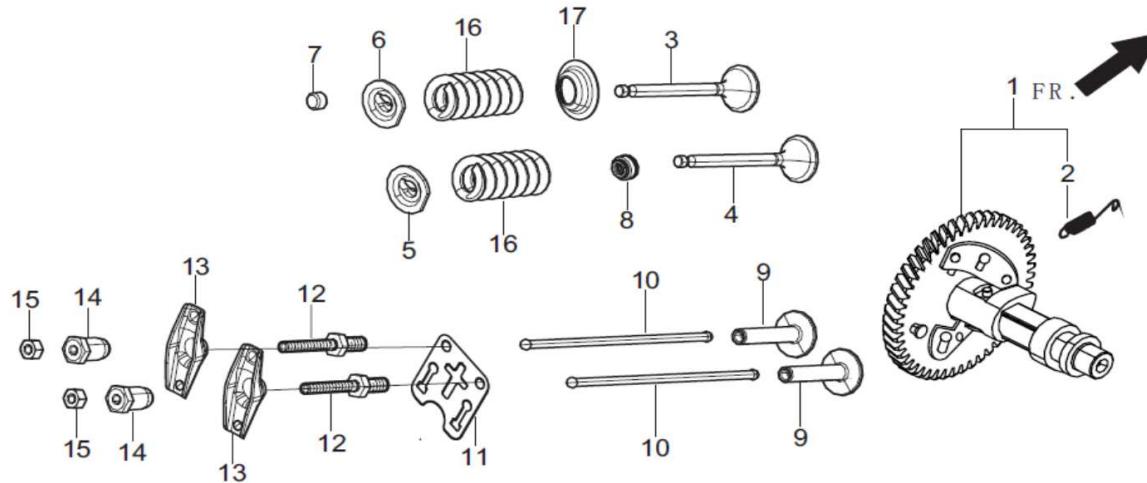
REF.NO.	DESCRIPTION	QTY	MiTM	RATO
5-01	CRANKSHAFT ASSY	1	45-0572	13300-Z100110-CL00
5-04	BALANCING SHAFT ASSY	1	45-0573	13401-Z100110-0000

FIG.6 PISTON SUBASSEMBLY



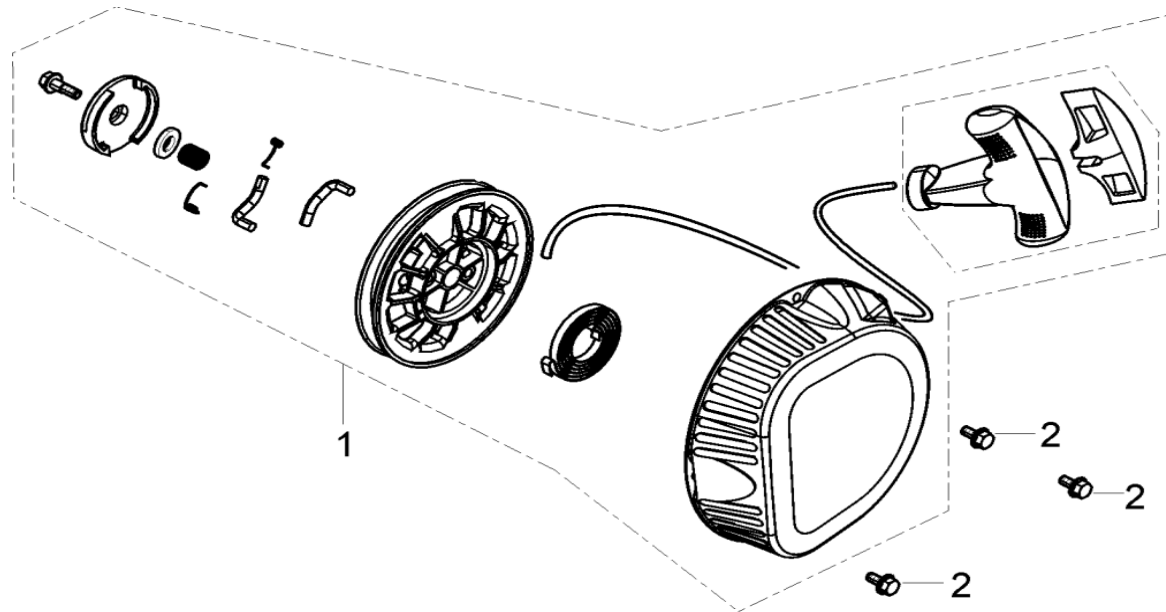
REF.NO.	DESCRIPTION	QTY	MiTM	RATO
6-01	RING SET-OIL	1	45-0574	13210-Z100210-0000
6-02	CLIP-PISTON PIN	2	45-0256	13122-Z100110-0000
6-03	PISTON	1	45-0575	13111-Z100210-0000
6-04	PIN-PISTON	1	45-0255	13121-Z100110-0000
6-05	ROD-CONNECTING	1	45-0576	13010-Z100120-0000
6-07	RING-THE FIRST	1	45-0577	13201-Z100210-0000
6-08	RING-THE SECOND	1	45-0578	13202-Z100210-0000

FIG.7 VALVE TRAIN / CAMSHAFT SUBASSEMBLY



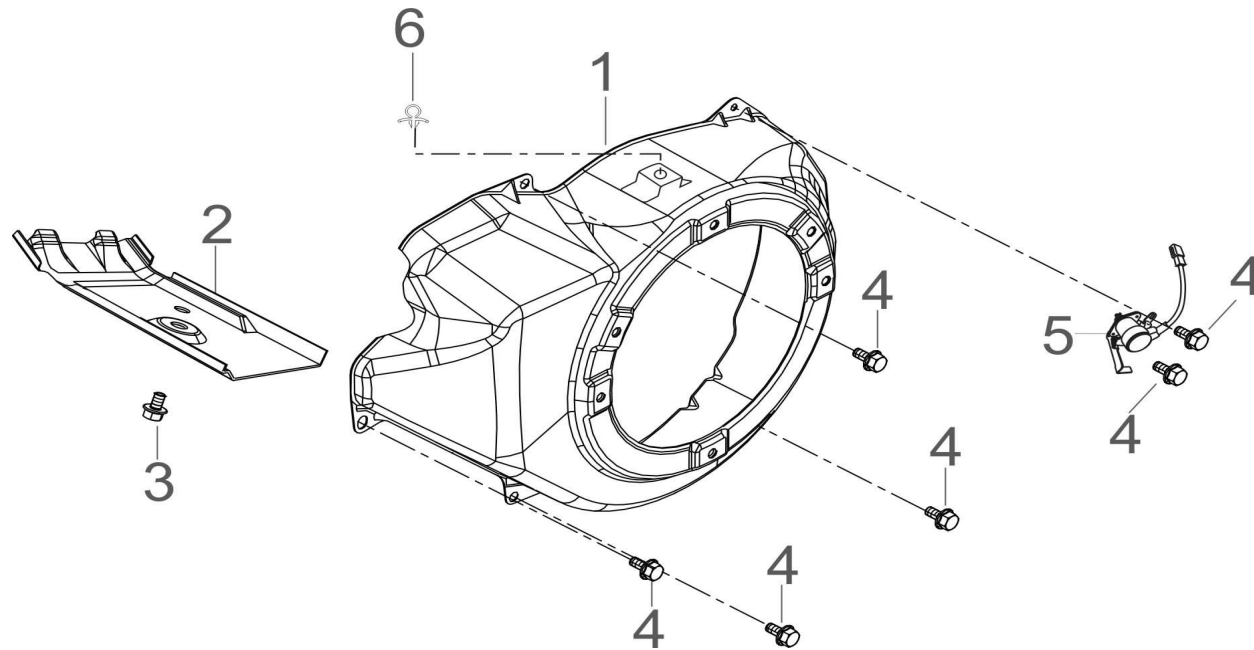
REF.NO.	DESCRIPTION	QTY	MiTM	RATO
7-01	CAMSHAFT ASSY	1	45-0426	14200-Z190310-0099
7-03	VALVE-EXHAUST	1	45-0427	12121-Z190110-0099
7-04	VALVE-INTAKE	1	45-0428	12111-Z100110-0099
7-05	SEAT-VALVE SPRING	2	45-0248	12112-Z080110-0000
7-06	RETAINER-EXHAUST VALVE	1	45-0246	12107-Z080110-0000
7-07	VALVE-ROTATOR	2	45-0244	12104-Z080110-0000
7-08	GUIDE-SEAL	1	45-0242	12101-Z080110-0000
7-09	VALVE-LIFTER	2	45-0429	14081-Z080110-0000
7-10	VALVE-TAPPET	2	45-0430	14070-Z100110-0000
7-11	LIFTER STOPPER PLATE SUBASSY	1	45-0266	14090-Z080110-0000
7-12	BOLT-VALVE ADJUSTING	2	45-0270	14313-Z010110-0000
7-13	VALVE-ROCKER	2	45-0268	14311-Z080110-0000
7-14	NUT-VALVE ADJUSTING	2	45-0271	14314-Z010110-0000
7-15	NUT-VALVE LOCK	2	45-0269	14312-Z010110-0000
7-16	VALVE-SPRING	2	45-0243	12103-Z080110-0000
7-17	RETAINER-VALVE SPRING	2	45-0245	12105-Z080110-0000

FIG.8 RECOIL STARTER



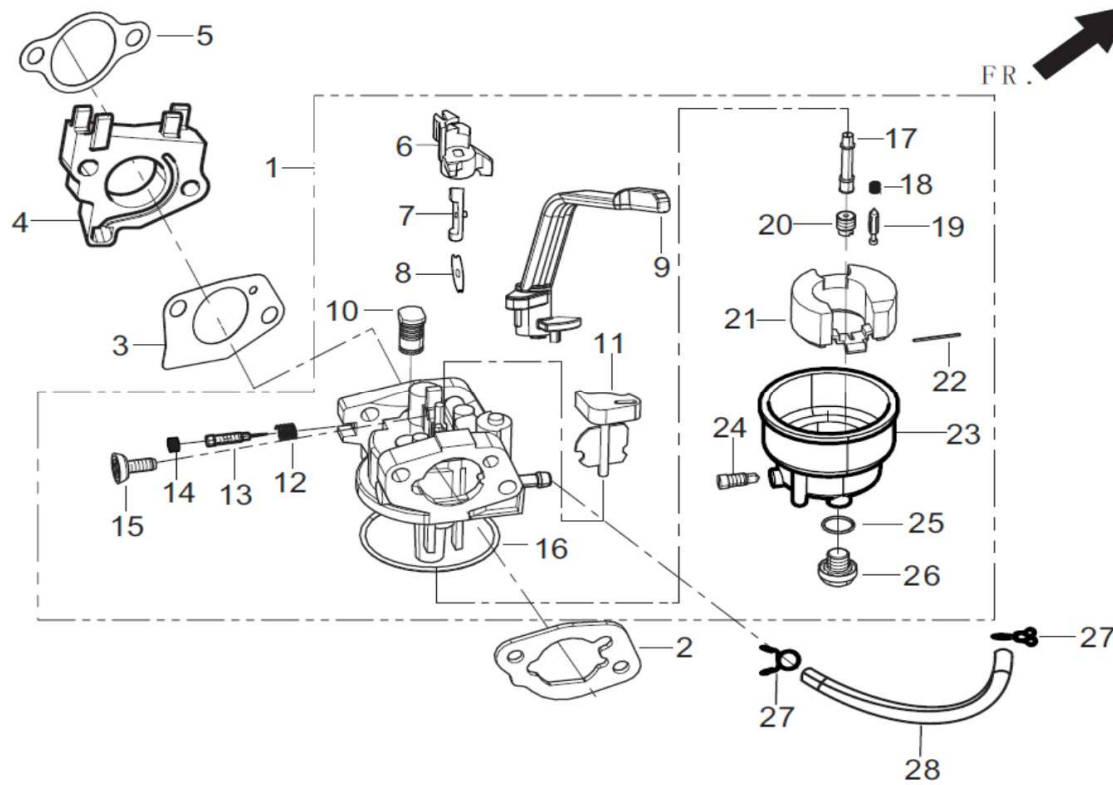
REF.NO.	DESCRIPTION	QTY	MiTM	RATO
8-01	RECOIL STARTER ASSY	1	45-0579	28200-Z101320-H600
8-02	BOLT	3	45-0381	90001-0608-01

FIG.9 SHROUDS



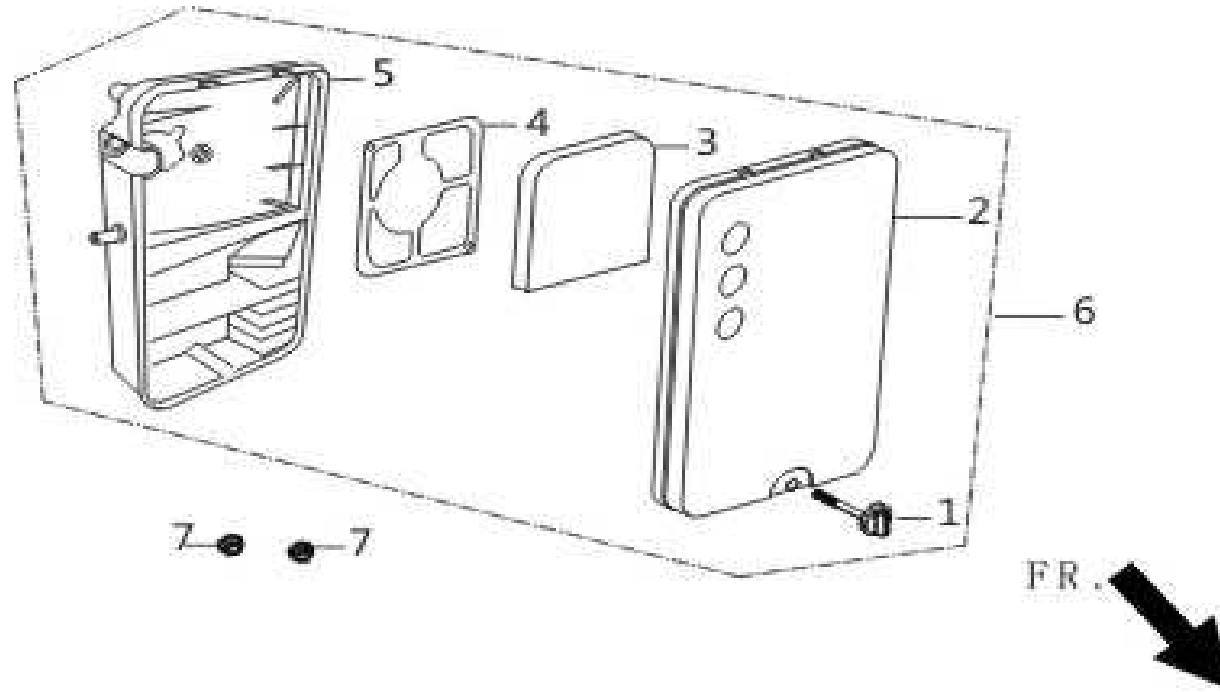
REF.NO.	DESCRIPTION	QTY	MiTM	RATO
9-01	SHROUD-IMPELLER	1	45-0580	28110-Z100220-H600
9-02	SHROUD-CYLINDER BODY	1	45-0431	19304-Z100210-0000
9-03	BOLT	1	45-0315	90001-0612-01
9-04	BOLT	5	45-0315	90001-0612-01
9-05	IDLE-DOWN SOLENOID	1	45-0581	35180-Z190110-0000
9-06	SS WORM CLAMP 1/4"-5/8"	1	42-0004	90685-Y950110-0000

FIG.10 CARBURETOR ASSEMBLY



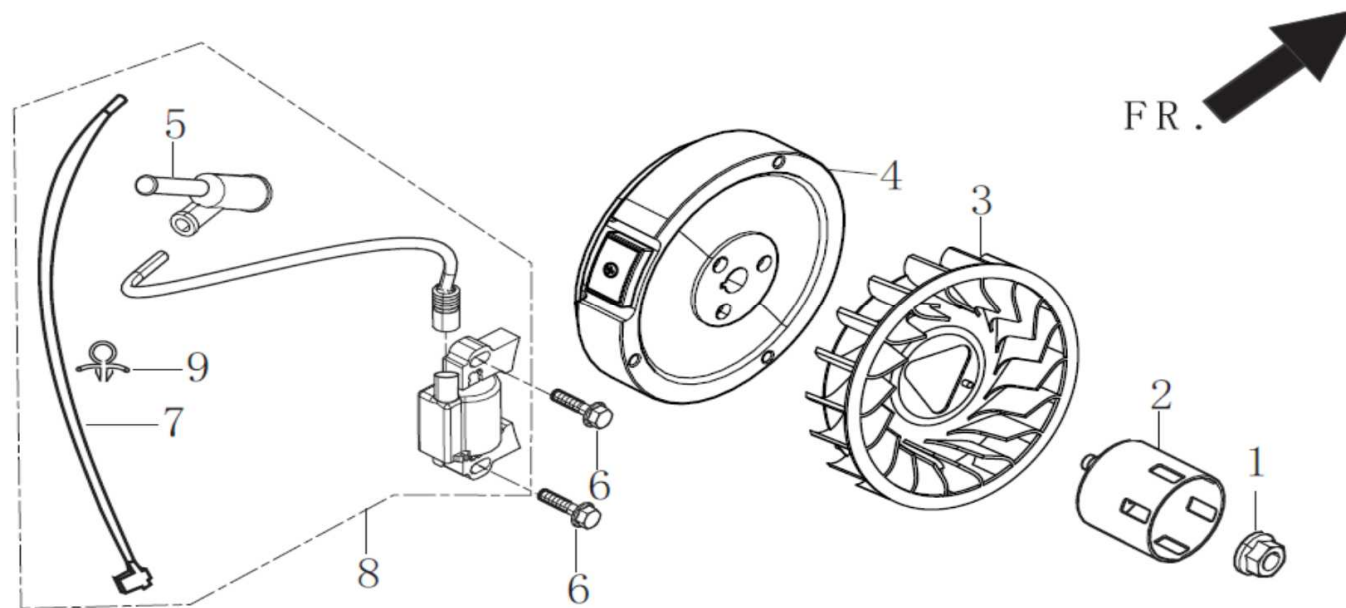
REF.NO.	DESCRIPTION	QTY	MiTM	RATO
10-01	CARBURETOR ASSY	1	45-0583	16100-Z191310-0099
10-02	GASKET-AIR CLEANER	1	45-0584	17001-Z080110-0000
10-03	GASKET-CARBURETOR	1	45-0275	16001-Z100110-0000
10-04	PLATE-CARBURETOR INSULATOR	1	45-0276	16003-Z100110-0000
10-05	GASKET-INLET	1	45-0296	17002-Z100110-0000
10-27	HOSE CLAMP	2	45-0517	90740-Z010210-0000
10-28	HOSE-FUEL	1	45-0585	90686-Z080610-0000

FIG.11 AIR CLEANER



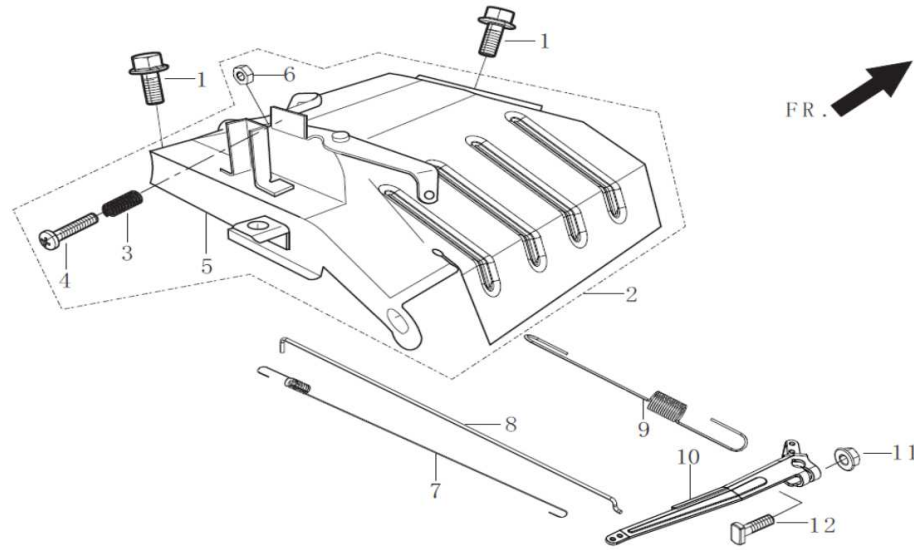
REF.NO.	DESCRIPTION	QTY	MiTM	RATO
11-03	AIR CLEANER ELEMENT	1	45-0674	17151-Z310210-0000
10-06	AIR CLEANER	1	45-0586	17100-Z310610-0001
10-07	NUT-AIR CLEANER	2	45-0234	90305-0600-31

FIG.12 FLYWHEEL / IMPELLER / STARTER PULLEY / IGNITION COIL



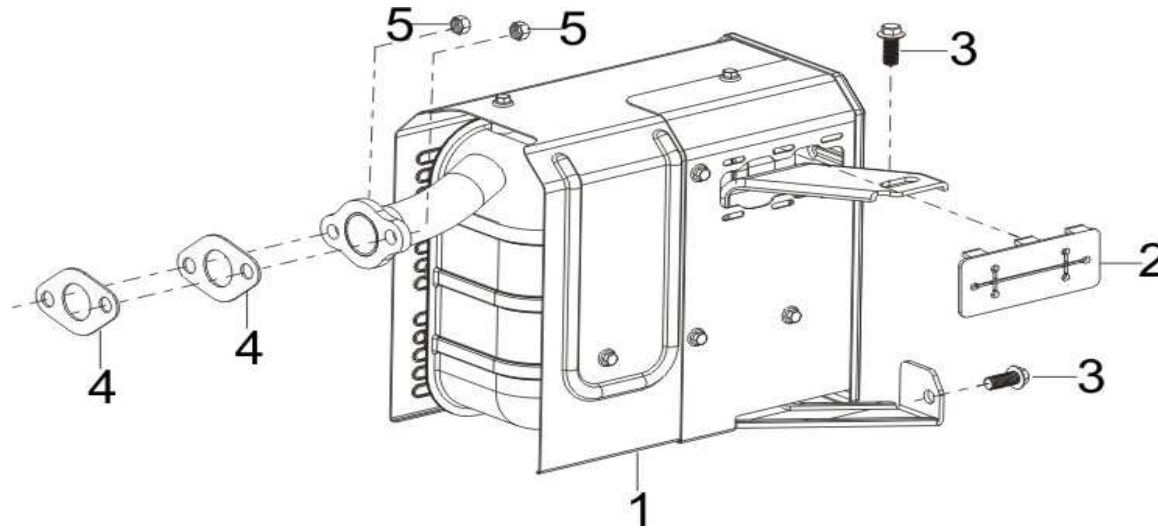
REF.NO.	DESCRIPTION	QTY	MiTM	RATO
12-01	NUT-FLYWHEEL	1	45-0262	13501-Z080110-0000
12-02	PULLEY-STARTER	1	45-0305	28002-Z100210-0000
12-03	IMPELLER	1	45-0437	19352-Z100210-0000
12-04	FLYWHEEL SUBASSY	1	45-0438	13510-Z100120-0000
12-06	BOLT-COIL CLAMP	2	45-0318	90001-0628-01
12-08	COIL-IGNITION	1	45-0380	30400-Z080110-0000

FIG.13 THROTTLE CONTROL ASSEMBLY



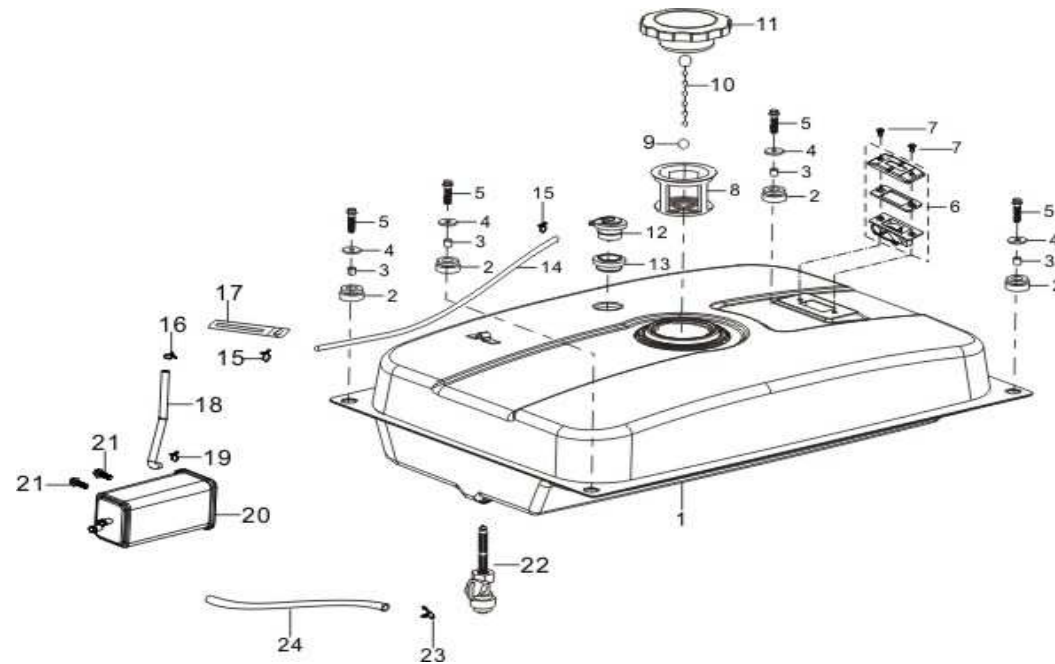
REF.NO.	DESCRIPTION	QTY	MiTM	RATO
13-01	BOLT	2	45-0315	90001-0612-01
13-02	THROTTLE CONTROL ASSY	1	45-0587	16520-Z100410-0000
13-06	SS WORM CLAMP 1/4"-5/8"	1	42-0004	90685-Y950110-0000
13-07	SPRING-THROTTLE VALVE RETURN	1	45-0277	16012-Z080110-0000
13-08	ROD-GOVERNEOR	1	45-0279	16062-Z100110-0000
13-09	SPRING-GOVERNOR	1	45-0588	16063-Z100510-0000
13-10	GOVERNOR SUPPORT SUBASSY	1	45-0589	16070-Z190210-0000
13-11	NUT	1	45-0324	90305-0600-31
13-12	BOLT-GOVERNOR SUPPORT	1	45-0282	16072-Z010110-0000

FIG.14 MUFFLER ASSEMBLY



REF.NO.	DESCRIPTION	QTY	MiTM	RATO
14-01	MUFFLER ASSY-GEN 6000	1	80-0148	18100-Y3R0310-0000
14-02	ISO PAD-MUFFLER	1	80-0143	18005-Y1K0110-0000
14-03	BOLT-MUFFLER	2	27-9524	90001-0816-03
14-04	GASKET-EXHAUST OUTLET	2	80-0149	18001-Z080110-0000
14-05	NUT-MUFFLER	2	30-3023	90303-0800-33

FIG.15 FUEL TANK ASSEMBLY

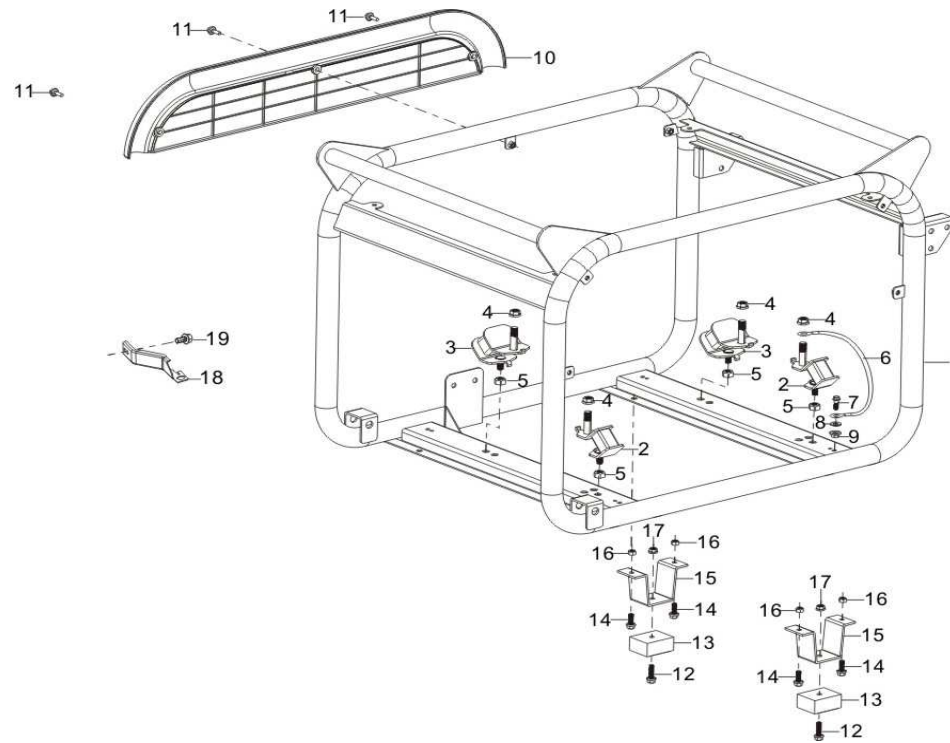


REF.NO.	DESCRIPTION	QTY	MiTM	RATO
15-01	FUEL TANK- GEN 6000 BRN	1	80-0062	16620-Y3Y0110-QZ00
15-02	GROMMET-FUEL TANK	4	80-0004	16601-Y020120-0000
15-03	BUSHING-FUEL TANK	4	80-0005	90683-Y020110-0000
15-04	WASHER-FUEL TANK	4	80-0006	90408-Y020110-0000
15-05	BOLT-FUEL TANK	4	27-8898	
15-06	OIL LEVEL ASSY-FUEL	1	80-0008	37200-Y020210-H300
15-07	SCREW-OIL LEVEL	2	80-0009	90104-0512-53
15-08	STRAINER-FUEL	1	80-0010	16652-Y020120-0000
15-09	CLIP-FUEL CAP RING	1	80-0011	16658-Y730110-0000
15-10	CHAIN-FUEL CAP TETHER	1	80-0012	16744-Y730110-0000

FIG.15 FUEL TANK ASSEMBLY / CONTINUED

REF.NO.	DESCRIPTION	QTY	MiTM	RATO
15-11	CAP-FUEL TANK	1	80-0013	16730-Y020610-0300
15-12/13	VALVE-ONE WAY	1	80-0014	15150-Y1Z0110-0000
15-14	HOSE-CANISTER VENT	1	80-0064	16804-Y3Y0110-0000
15-15	SS WORM CLAMP 1/4"-5/8"	2	42-0004	90685-Y950110-0000
15-16	SS WORM CLAMP 1/4"-5/8"	1	42-0004	90685-Y950110-0000
15-17	CLIP	1	45-0335	90684-Z030120-0000
15-18	HOSE-AIR CLEANER	1	80-0065	16805-Y820110-0000
15-19	SS WORM CLAMP 1/4"-5/8"	1	42-0004	90685-Y950110-0000
15-20	CARBON CANISTER- GEN 6000	1	80-0066	16801-Y210110-0000
15-21	BOLT-CARBON CANISTER	2	27-8001	90007-0612-A3
15-22	FUEL VALVE ASSY	1	80-0019	16750-Y020110-0000
15-23	HOSE CLAMP	1	45-0517	90740-Z010210-0000
15-24	HOSE-FUEL SUPPLY	1	80-0067	30431-Y030110-0000

FIG.16 ENGINE FRAME ASSEMBLY

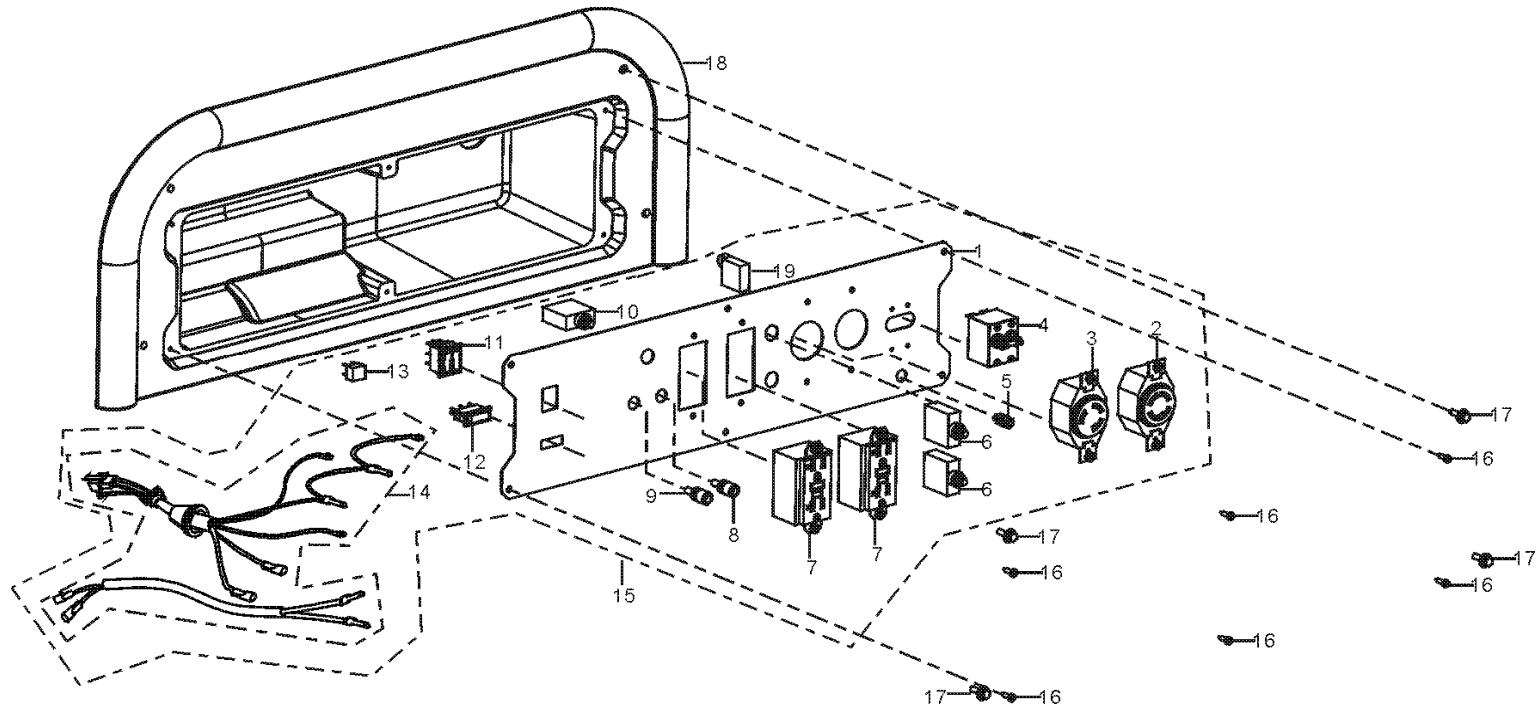


REF.NO.	DESCRIPTION	QTY	MiTM	RATO
16-01	FRAME ASSY-GENERATOR 6000 BRN	1	80-0069	51100-Y3Z0110-QY00
16-02	VIB ISO-ENGINE	2	80-0071	51005HY030120-0000
16-03	VIB ISO-ALTERATOR	2	80-0072	51012HY030120-0000
16-04	NUT	4	45-0436	90305-0800-31
16-05	NUT-ISOLATOR	4	80-0073	90306-1000-31
16-06	WIRE-GROUND	1	80-0026	30009-Y910110-0000
16-07	BOLT-GROUND	1	27-8898	
16-08	WASHER-GROUND	1	80-0075	90415-0600-Z1
16-09	NUT-GROUND	1	30-5018	90305-0600-33

FIG.16 ENGINE FRAME ASSEMBLY / CONTINUED

REF.NO.	DESCRIPTION	QTY	MiTM	RATO
16-10	SHROUD-REAR BLK	1	80-0076	51025-Y3Y0110-0000
16-11	BOLT-SHROUD REAR	3	27-8898	
16-12	BOLT-SHOCK ABSORBER	2	27-8898	
16-13	ISOLATOR-SHOCK ABSORBER	2	80-0079	51014HY3Y0110-0000
16-14	BOLT-MUFFLER	4	27-8898	
16-15	SUPPORT-SHOCK ABS-BRN	2	80-0081	51016-Y3Y0110-QY00
16-16	NUT-SHOCK ABS SUPPORT	4	30-5019	90310-0800-33
16-17	NUT-GROUND	2	30-5018	90305-0600-33
16-18	SUPPORT-AIR CLEANER	1	80-0084	17003-Y290110-0000
16-19	BOLT-AIR CLEANER SUPPORT	1	27-8898	

FIG.17 CONTROL PANEL SUBASSEMBLY

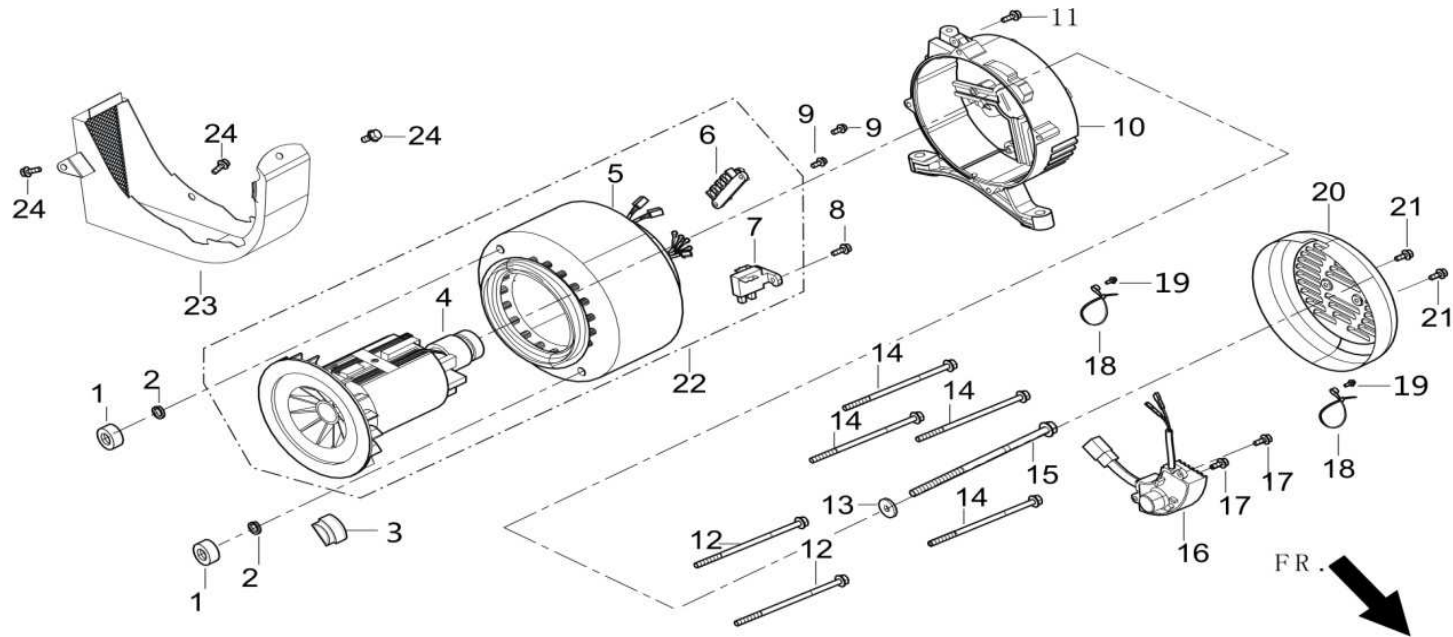


REF.NO.	DESCRIPTION	QTY	MiTM	RATO
17-01	CONTROL PANEL- GEN 6000 BLK	1	80-0086	35650-Y3Z0110-0000
17-02	RECEPTACLE-L14-30 TWIST	1	32-0831	35614-Y090310-0000
17-03	RECEPTACLE-L5-30 TWIST	1	32-0832	35614-Y090210-0000
17-04	BREAKER DP 250V 23A	1	80-0087	35627-Y3Z0110-0000
17-05	GROUNDING TERMINAL SUBASSY	1	80-0038	35629-Y090110-0000
17-06	CIRCUIT BREAKER	2	32-0438	31234-Y090110-0000
17-07	RECEPTACLE-GFCI DUPLEX 20A	2	32-0830	35614-Y090310-0000
17-08	TERMINAL-NEGATIVE ELECTRODE	1	80-0041	35634-Y020110-0000

FIG.17 CONTROL PANEL SUBASSEMBLY / CONTINUED

REF.NO.	DESCRIPTION	QTY	MiTM	RATO
17-09	TERMINAL-POSITIVE ELECTRODE	1	80-0042	35633-Y020110-0000
17-10	BREAKER-10A DC	1	80-0040	31234-Y020110-0000
17-11	CONTROL PANEL SWITCH	1	80-0043	35160-Y020110-0000
17-12	IDLE CONTROL	1	80-0088	35160-Y090110-0000
17-13	BRIDGE-RECTIFIER	1	80-0044	35621-Y020110-0000
17-15	CONTROL PANEL SUBASSY-6000 BRN	1	80-0090	35610-Y3Z0210-H300
17-16	SCREW-CONTROL PANEL	6	80-0047	90107-4216-03
17-17	BOLT-SHROUD	4	27-8898	
17-18	FRONT SHROUD 6000 BLK	1	80-0091	35680-Y3Y0110-0000
17-19	CURRENT SENSOR	1	80-0051	30097-Y120110-0000

FIG.18 ROTOR / STATOR

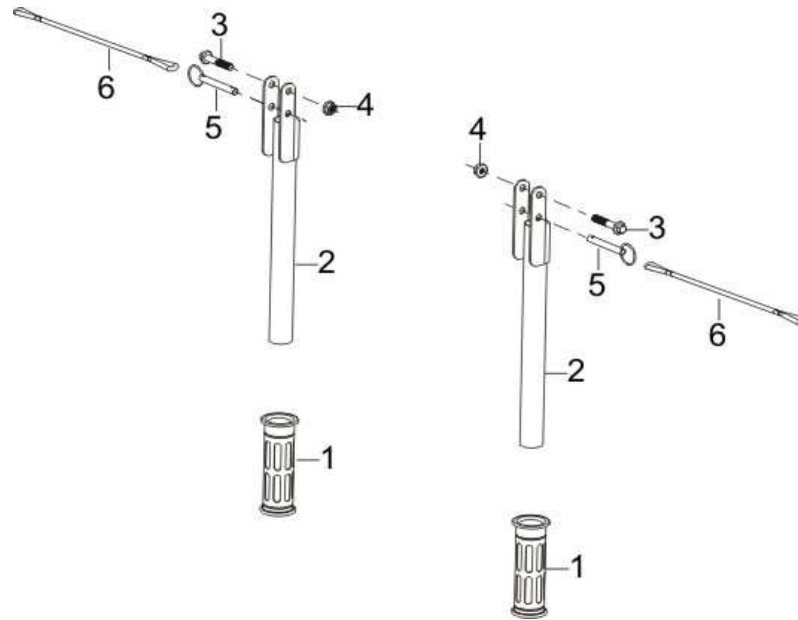


REF.NO.	DESCRIPTION	QTY	MiTM	RATO
18-01	NUT-STATOR	2	80-0093	31317-Y030110-0000
18-02	WASHER-STATOR	2	80-0094	90403-0500-01
18-03	STOPPER-MOTOR RIGHT COVER	1	80-0095	30023-Y030120-0000
18-07	CARBON BRUSH	1	80-0049	31320-Y030120-0000
18-08	BOLT	1	45-0445	90001-0516-01
18-09	BOLT-ALTERNATOR	2	27-9526	90001-0512-01
18-10	BRACKET-ALTERNATOR	1	80-0097	30021-Y030110-0000
18-11	BOLT-ALTERNATOR	1	27-9526	90001-0512-01

FIG.18 ROTOR / STATOR / CONTINUED

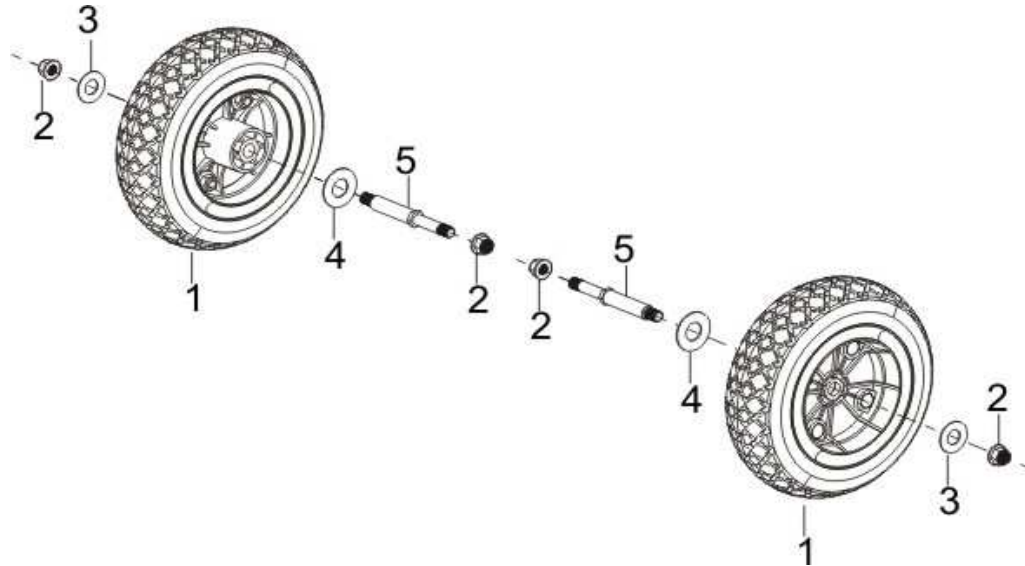
18-12	BOLT-STATOR SHORT	2	80-0098	31316-Y030130-0000
18-13	WASHER-ROTOR	1	80-0099	90408-Y030110-0000
18-14	BOLT-STATOR	4	80-0100	30048-Y030120-0000
18-15	BOLT-ROTOR	1	80-0101	30049-Y030120-0000
18-16	REGULATOR-VOLTAGE	1	80-0102	30060-Y030120-0000
18-17	BOLT	2	45-0445	90001-0516-01
18-18	CABLE TIE 4" NYLON	2	33-0472	90727-Y040110-0000
18-19	BOLT	2	45-0445	90001-0516-01
18-20	END CAP ALTERNATOR	1	80-0103	30022-Y030110-H600
18-21	BOLT-ALTERNATOR	2	27-9526	90001-0512-03
18-22	ALTERNATOR ASSY	1	80-0104	31300-Y3Z0110-0000
18-23	SHROUD-ALTERNATOR	1	80-0105	30024-Y030110-0000
18-24	BOLT-ALTERNATOR	3	27-9526	90001-0512-01

FIG.19 HANDLE ASSEMBLY



REF.NO.	DESCRIPTION	QTY	MiTM	RATO
19-01	GRIP-HANDLE	2	80-0106	54101-Y910110-0000
19-02	HANDLE TUBE-BRN	2	80-0108	54110-Y3Y0110-QY00
19-03	BOLT-HANDLE	2	27-9529	90001-0845-03
19-04	NUT-SHOCK ABS SUPPORT	2	30-5019	90310-0800-33
19-05	LUG-HANDLE	2	80-0111	90504-Y910110-0000
19-06	TETHER-PIN FOR HANDLE	2	80-0112	90793-Y910110-0000

FIG.20 WHEEL ASSEMBLY



REF.NO.	DESCRIPTION	QTY	MiTM	RATO
20-01	WHEEL-WHITE 10" DIA	2	80-0113	44110-Y3Y0210-0000
20-02	NUT-AXLE	4	80-0115	90303-1200-33
20-03	WASHER-OUTSIDE	2	28-0006	90408-Y110210-0000
20-04	WASHER-INSIDE	2	28-0008	90408-Y990310-0000
20-05	AXLE-WHEEL	2	80-0018	44020-Y0K0110-0000