



PARTS LIST FOR
CA-3003-1MAH
CA-3003-1MAK
CA-3003-1MAS
(AFTER SERIAL #10754656)

Engine Oil Grade:	SAE10W-30
Engine Oil Capacity:	
Honda/Kohler	37 oz.
Subaru	34 oz.
Pump Oil Grade:	Mi-T-M Pump Oil #AW-4085-0016
Pump Oil Capacity:	14 oz.
Nozzle Size:	3.5

This Parts Listing has been compiled for your benefit. You can be assured your Mi-T-M Cold Water Pressure Washer was constructed and designed with quality and performance in mind using over 25 years experience in the pressure washer business. Each component has been rigorously tested to insure the highest level of acceptance.

The contents of this Parts Listing are based on the latest product information available at the time of publication. Mi-T-M reserves the right to make changes in price, color, materials, equipment, specifications or models at any time without notice.

WARNING

THIS IS A PROFESSIONAL HIGH PRESSURE, COLD WATER PRESSURE WASHER. CAUTION SHOULD BE OBSERVED WHEN USING OR REPAIRING THIS UNIT! READ AND FOLLOW THE SAFETY WARNINGS LISTED BELOW BEFORE ATTEMPTING ANY REPAIRS ON THIS PRESSURE WASHER!

SAFETY WARNINGS

1. NEVER alter or modify the equipment. Be sure any accessory items and system components being used will withstand the pressure developed. Use only genuine Mi-T-M parts for repair of your pressure washer. Failure to do so can cause hazardous operating conditions and will VOID warranty.
2. NEVER make adjustments on machinery while the unit is connected to the engine without first removing the ignition cable from the spark plug. Turning over the machinery by hand during adjustment or cleaning might start the engine and machinery with it, causing serious injury to the operator.
3. Know how to stop and bleed pressures quickly. Be thoroughly familiar with controls.
4. Before servicing the unit, turn unit off, relieve the water pressure and allow the unit to cool down. Do not make repairs while the unit is running. Service in a clean, dry, flat area. Block the wheels to prevent the unit from moving. Be especially careful to properly dispose of any flammable materials.
5. After testing the machine, DO NOT leave the pressurized unit unattended. Shut off the unit and release trapped pressure before leaving.

Table of Contents

SPECIFICATIONS..... 3

NOTES 4

FRAME ASSEMBLY FOR CA-3003-1MAH_K_S (AFTER SERIAL #10754656) 6

PUMP ASSEMBLY (3-0389) 8

UNLOADER ASSEMBLY (8-0630) 10

SPECIFICATIONS

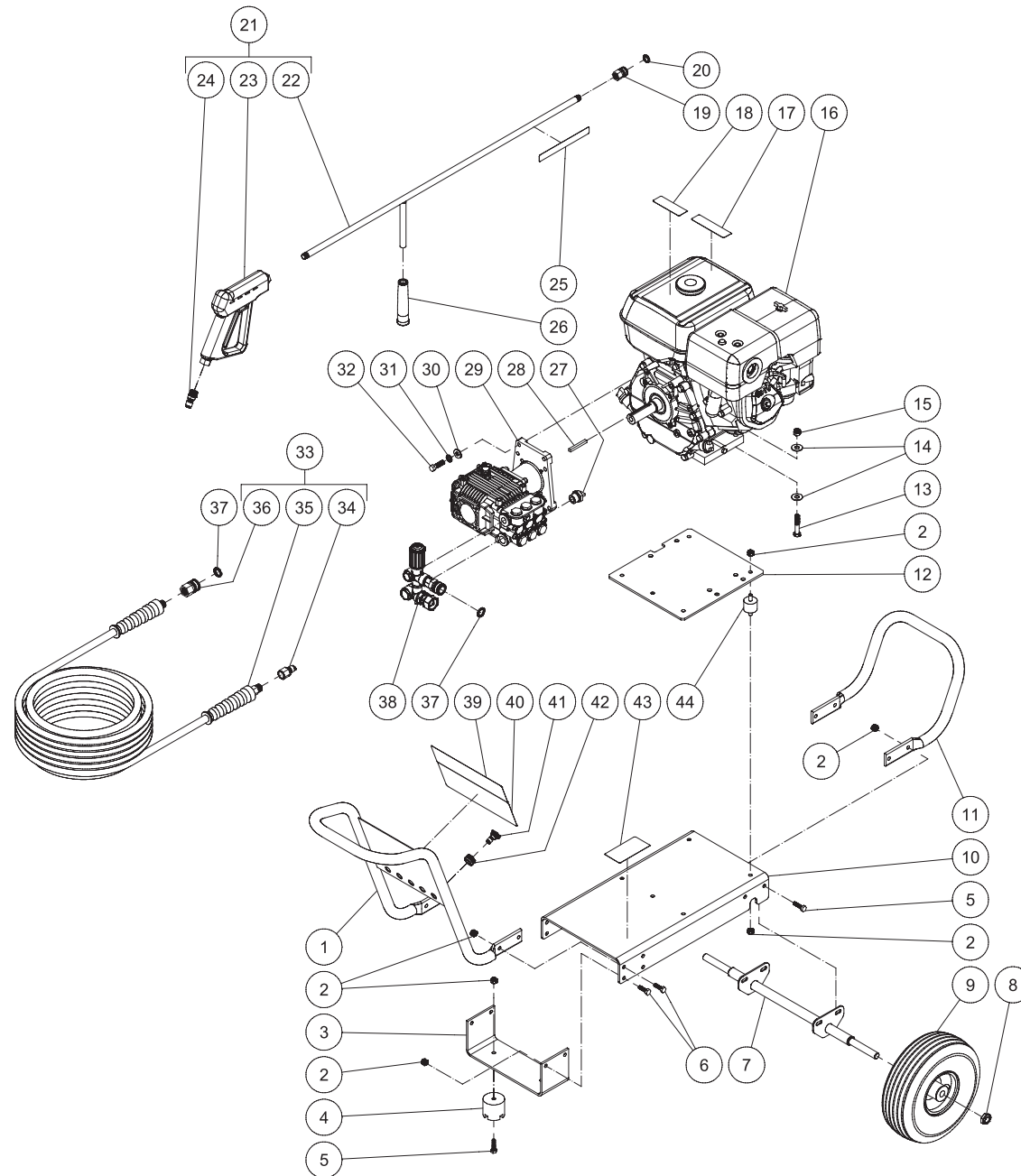
	CA-3003-1MAH	CA-3003-1MAK	CA-3003-1MAS
Operating Pressure (PSI/Bar):	3000/206.8		
High Pressure Nozzle:	3.5		
Water Volume (GPM/lpm):	3.0/11		
Engine:	Honda	Kohler	Subaru
Model	GX27	CH395	EX27
Engine Type	4 Stroke, Overhead Valve, Single Cylinder		4 Stroke, Overhead Cam, Single Cylinder
Oil Type	SAE 10W-30		
Oil Capacity (oz./liters)	37/1.1		34/1.0
Low Oil Protection	Oil Alert™	Low Oil Shutdown	
Fuel Type	Unleaded Gasoline 86 Octane Minimum		
Fuel Capacity (gallon/ liters)	1.6/6.0		
Starting	Recoil		
Maximum No Load RPM	3600 (+/- 100) RPM		
Pump:	Direct Driven, Oil Bath, Triplex Piston		
Oil Type	Mi-T-M Pump Oil #AW-4085-0016		
Oil Capacity (oz./liters)	14/.4		
Plungers	Ceramic		
Manifold	Forged Brass		
Valves	Stainless Steel		
Unloader	Adjustable		
Thermal Relief Valve	Relieves heated water during unloader bypass stage		
Unit Net Weight (lbs/Kg)	105/47.5		
Unit Shipping Weight (lbs/Kg)	155/70		
Unit Net Dimension (in/cm)	42.5Lx23.5Wx25H/108Lx60Wx63.5H		
Unit Shipping Dimension (in/cm)	39.5Hx25Wx31.5H/100.5Lx63.5Wx80H		

NOTES

DATE	SERIAL # BREAK	REASON FOR CHANGE
11/12/13	#10754656	CHANGED AXLE

NOTES

FRAME ASSEMBLY FOR CA-3003-1MAH_K_S (AFTER SERIAL #10754656)

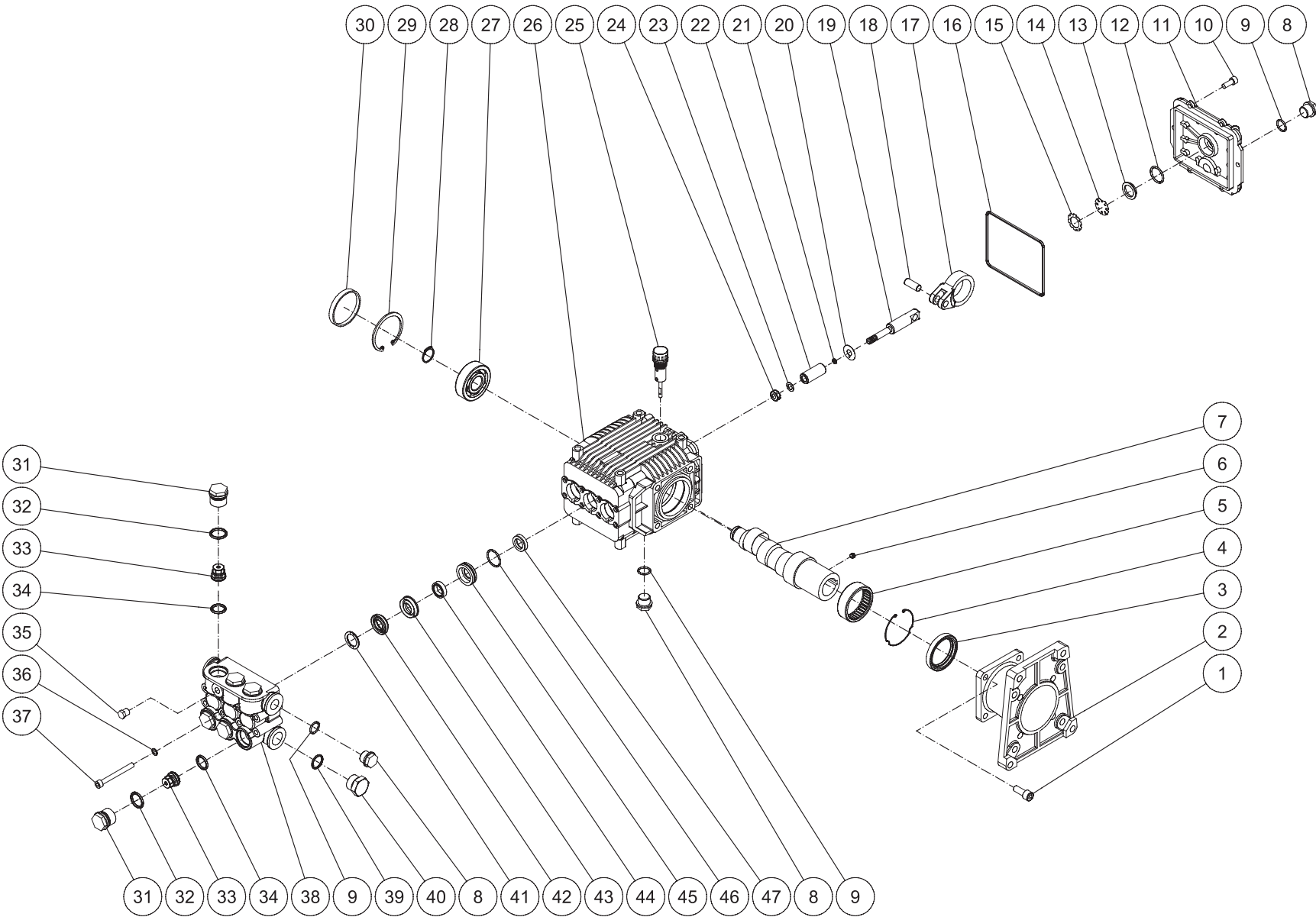


CA-3003-1MAH_K_S -102113-CH

FRAME ASSEMBLY

ITEM	DESCRIPTION	PART #	QTY	ITEM	DESCRIPTION	PART #	QTY
1	HANDLE	7-0182	1	24	QUICK CONNECT	17-0005	1
2	LOCKNUT	30-0157	22	25	DECAL - RISK OF INJECTION (SEE 71-0065)	N/A	1
3	BRACKET	56-0054	1	26	GRIP	7-0002	1
4	ISOLATOR	14-0008	2	27	RELIEF VALVE	22-0005	1
5	BOLT	27-0068	6	28	KEY	43-0078	1
6	BOLT	27-0067	8	29	PUMP	3-0389	1
7	AXLE	13-0230A53	1	30	WASHER	28-0022	4
8	LOCKNUT	30-0117	2	31	LOCKWASHER	29-0008	4
9	WHEEL	14-0130	2	32	BOLT	27-0118	4
10	BASEPLATE	5-0207	1	33	PRESSURE HOSE ASSEMBLY (34-36)	851-0338	1
11	HANDLE	7-0183	1	34	QUICK CONNECT	17-0006	1
12	ISOLATION PLATE	56-0053	1	35	HOSE	15-0209	1
13	BOLT	27-0121	4	36	QC SOCKET	17-0004	1
14	WASHER	28-0023	8	37	O-RING	25-0123	2
15	LOCKNUT	30-0159	4	38	UNLOADER ASSY WITHOUT CHEM INJ	8-0630	1
16	ENGINE - HONDA	1-0162	1	39	DECAL	N/A	1
-	ENGINE - SUBARU	1-0134	1	40	DECAL - WARNING/CAUTION/OPERATION (SEE 71-0065)	N/A	1
-	ENGINE - KOHLER	1-0207	1	41	NOZZLE	18-0392	1
17	DECAL - RISK OF BURNS (SEE 71-0065)	N/A	1	-	NOZZLE	18-0393	1
18	DECAL - RISK OF FIRE (SEE 71-0065)	N/A	1	-	NOZZLE	18-0395	1
19	QUICK CONNECT	17-0001	1	42	GROMMET	33-0001	5
20	O-RING	25-0122	1	43	DECAL- SILVER STICKER	N/A	1
21	GUN/WAND ASSEMBLY (22-24)	851-0095	1	44	ISOLATOR	14-0097	4
22	WAND (INCLUDES GRIP & QUICK CONNECT)	16-0418	1	-	DECAL SET	71-0065	1
23	GUN	16-0001	1				

PUMP ASSEMBLY (3-0389)



3-0389 030713 JDK

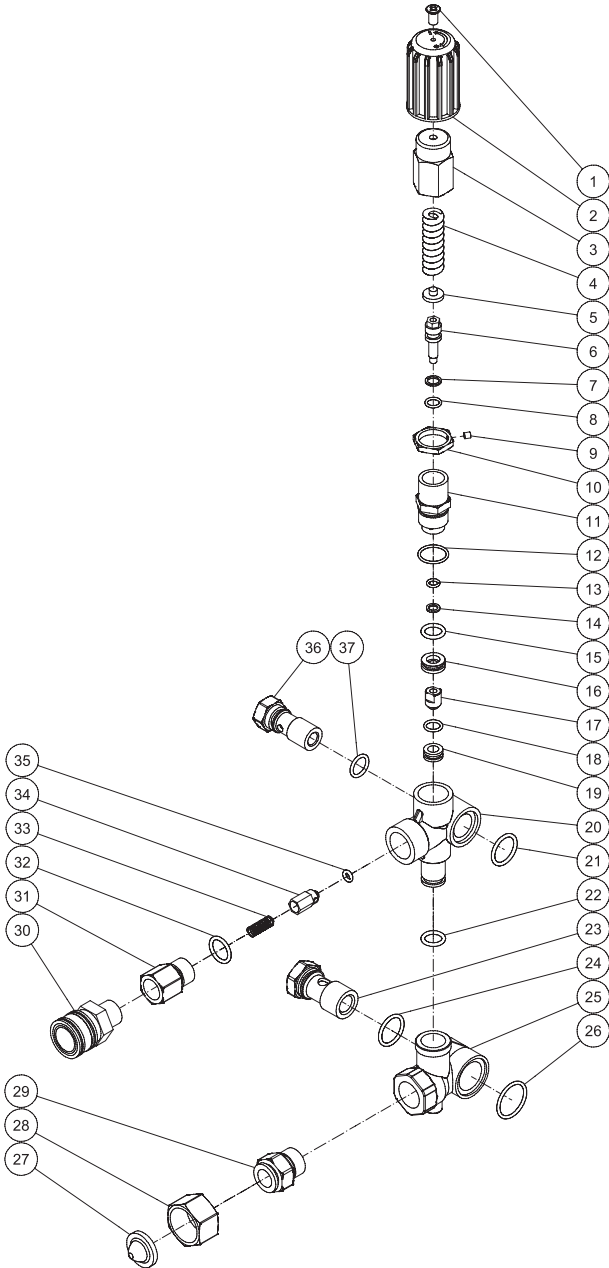
PUMP ASSEMBLY

ITEM	DESCRIPTION	Mi-T-M #	QTY	ITEM	DESCRIPTION	Mi-T-M #	QTY
1	SCREW	27-8432	4	25	OIL DIPSTICK	39-0090	1
2	PUMP FLANGE	46-0714	1	26	CRANKCASE	46-0724	1
3	OIL SEAL	26-0192	1	27	BALL BEARING	48-0063	1
4	RETAINING RING	46-0667	1	28	SNAP RING	46-0732	1
5	NEEDLE BEARING	48-0059	1	29	SNAP RING	46-0676	1
6	SET SCREW	27-8886	1	30	BEARING CAP	46-0725	1
7	CRANKSHAFT	46-0717	1	31	VALVE CAP	39-0087	6
8	PLUG	39-0086	3	32	O-RING	25-0160	6
9	O-RING	25-0325	3	33	SINGLE VALVE ASSEMBLY - BLACK (SEE KIT 70-0161)	70-0161	6
10	BOLT	27-8888	6	34	O-RING (SEE KIT 70-0161)	25-0386	6
11	CRANKCASE COVER	46-0719	1	35	PLUG	39-0097	1
12	O-RING	25-0370	1	36	LOCKWASHER	29-0153	8
13	OIL SIGHT GLASS	46-0670	1	37	BOLT	27-8875	8
14	OIL REFLECTOR	46-0824	1	38	MANIFOLD	46-0730	1
15	SPRING RETAINER	46-0671	1	39	O-RING	25-0372	1
16	O-RING	25-0398	1	40	PLUG	39-0088	1
17	CONNECTING ROD	46-0720	3	41	SUPPORT RING - 15mm (SEE KIT 70-0182)	70-0182	3
18	PISTON PIN	46-0721	3	42	V PACKING (SEE KIT 70-0181)	46-0729	3
19	PLUNGER ROD	46-0722	3	43	PACKING RETAINER	46-0728	3
20	SLINGER WASHER	28-1027	3	44	LP SEAL (SEE KIT 70-0181)	46-0727	3
21	O-RING	25-0371	3	45	LP RETAINER	46-0726	3
22	CERAMIC PISTON	46-0723	3	46	O-RING (SEE KIT 70-0181)	25-0149	3
23	WASHER	26-0187	3	47	OIL SEAL	26-0193	3
24	NUT	30-6016	3				

REPLACEMENT KITS

Mi-T-M KIT #	DESCRIPTION	ITEMS	# OF ASSEMBLIES	# OF CYLINDERS
-	KIT - OIL SEALS	3, 16, 30, 47	1, 1, 1, 3	3
-	KIT - PISTONS	20-24	3	3
70-0181	KIT - HIGH PRESSURE SEALS	42, 44, 46	3	3
70-0182	KIT - SUPPORT RINGS	41	3	3
70-0161	KIT - VALVES	33, 34	6	3

UNLOADER ASSEMBLY (8-0630)



8-0630 102714 JDK

UNLOADER ASSEMBLY				
ITEM	DESCRIPTION		PART #	QTY
1	SCREW (SEE KIT 70-0647)		27-2772	1
2	KNOB (SEE KIT 70-0647)		7-0250	1
3	KNOB (SEE KIT 70-0647)		SEE KIT	1
4	SPRING (SEE KIT 70-0647)		SEE KIT	1
5	SPRING SEAT (SEE KIT 70-0647)		SEE KIT	1
6	VALVE ROD (SEE KIT 70-0647)		SEE KIT	1
7	SUPPORT RING (SEE KIT 70-0647)		SEE KIT	1
8	O-RING (SEE KIT 70-0647)		25-0651	1
9	SET SCREW (SEE KIT 70-0647)		8-0479	1
10	JAM NUT (SEE KIT 70-0647)		SEE KIT	1
11	VALVE BODY (SEE KIT 70-0647)		SEE KIT	1
12	O-RING (SEE KIT 70-0647)		25-0652	1
13	O-RING (SEE KIT 70-0647)		25-0163	1
14	SUPPORT RING (SEE KIT 70-0647)		SEE KIT	1
15	O-RING (SEE KIT 70-0647)		25-0655	1
16	BY PASS JET UNLOADER (SEE KIT 70-0647)		SEE KIT	1
17	BULLET (SEE KIT 70-0647)		SEE KIT	1
18	O-RING (SEE KIT 70-0647)		25-0656	1
19	VALVE SEAT (SEE KIT 70-0647)		SEE KIT	1
20	VALVE HOUSING		SEE KIT	1
21	O-RING		25-0664	1
22	O-RING		25-0684	1
23	INLET BANJO BOLT		8-0595	1
24	O-RING		25-0602	1
25	BY PASS HOUSING		SEE KIT	1
26	O-RING		25-0654	1
27	FILTER (SEE KIT 23-0095)		19-0001	1
28	SWIVEL NUT (SEE KIT 23-0095)		SEE KIT	1
29	INLET CONNECTOR (SEE KIT 23-0095)		SEE KIT	1
30	QUICK CONNECT SOCKET		17-0007	1
31	OUTLET CONNECTOR		46-1389	1
32	O-RING		25-0386	1
33	SPRING (SEE KIT 70-0500)		SEE KIT	1
34	CHECKING VALVE (SEE KIT 70-0500)		SEE KIT	1
35	O-RING (SEE KIT 70-0500)		25-0653	1
36	OUTLET BANJO BOLT		8-0594	1
37	O-RING		25-0169	1

REPLACEMENT KITS			
KIT #	DESCRIPTION	ITEMS	# OF ASSEMBLIES
23-0095	KIT - GARDEN HOSE INLET ASSY	27-29	1
70-0500	KIT - NON-RETURN VALVES	33-35	1
70-0647	KIT - UNLOADER REBUILD	1-19	1

Manufactured by Mi-T-M
8650 Enterprise Drive, Peosta IA 52068
563-556-7484/ Fax 563-556-1235