



OPERATOR'S MANUAL FOR  
***CD-GASOLINE***  
COLD WATER DIRECT DRIVEN  
PRESSURE WASHERS



CAUTION  
RISK OF INJURY!

READ MANUAL BEFORE OPERATING!

THIS MANUAL IS AN IMPORTANT PART OF THE PRESSURE WASHER  
AND SHOULD REMAIN WITH THIS UNIT WHEN YOU SELL OR RENT IT.

# TABLE OF CONTENTS

INTRODUCTION.....	3
<b>IMPORTANT SAFETY WARNINGS.....</b>	<b>4-7</b>
FIRE & VENTILATION PRECAUTIONS.....	4
SPRAY PRECAUTIONS.....	5
DETERGENT CLEANING PRECAUTIONS.....	6
MISCELLANEOUS SAFETY PRECAUTIONS.....	6
ADJUSTMENT PRECAUTIONS.....	7
<b>FEATURES DRAWINGS.....</b>	<b>8 &amp; 10</b>
CD-HAND-CARRY SERIES.....	8
CD-CART SERIES.....	10
<b>SAFETY DECALS.....</b>	<b>9 &amp; 11</b>
CD-HAND-CARRY SERIES.....	9
CD-CART SERIES.....	11
<b>INSTALLATION &amp; PREPARATION.....</b>	<b>12-15</b>
ATTIRE.....	12
SET-UP.....	12
ENGINE FUEL TANK.....	12
NOZZLE REVIEW.....	13
NOZZLE CONNECTION.....	13
WATER SUPPLY.....	14
UNLOADER.....	14
THERMAL RELIEF VALVE.....	14
PRE-START INSPECTION PROCEDURES.....	15
<b>OPERATING INSTRUCTIONS.....</b>	<b>16-17</b>
PRIMING THE PUMP.....	16
START-UP.....	16
CLEANING WITH DETERGENTS.....	17
SHUTDOWN.....	17
<b>STORAGE &amp; MAINTENANCE.....</b>	<b>18-19</b>
SPECIFIC MAINTENANCE.....	18
WINTERIZING.....	19
<b>TROUBLESHOOTING.....</b>	<b>20</b>
<b>ACCESSORIES.....</b>	<b>21</b>
<b>STATEMENT OF WARRANTY.....</b>	<b>22</b>
<b>NOTES.....</b>	<b>23</b>

## **WARNING**

**Warning:** This product contains lead, a chemical known to the State of California to cause birth defects or other reproductive harm.

*Wash your hands after handling this product.*

## **WARNING**

The engine exhaust from this product contains chemicals known to the State of California to cause cancer, birth defects or other reproductive harm.

## **WARNING**

This product contains one or more chemicals known to the State of California to cause cancer and birth defects or other reproductive harm.

## INTRODUCTION

Congratulations on the purchase of your new Mi-T-M pressure washer! You can be assured your Mi-T-M pressure washer was constructed with the highest level of precision and accuracy. Each component has been rigorously tested by technicians to ensure the quality, endurance and performance of this unit.

This operator's manual was compiled for your benefit. By reading and following the simple safety, installation, operation, maintenance and troubleshooting steps described in this manual, you will receive years of trouble free operation from your new Mi-T-M pressure washer. The contents of this manual are based on the latest product information available at the time of publication. Mi-T-M reserves the right to make changes in price, color, materials, equipment, specifications or models at any time without notice.

### ! IMPORTANT !

These paragraphs are surrounded by a "SAFETY ALERT BOX". This box is used to designate and emphasize Safety Warnings that must be followed when operating this pressure washer. Accompanying the Safety Warnings are "signal words" which designate the degree or level of hazard seriousness. The "signal words" used in this manual are as follows:

- DANGER:** Indicates an imminently hazardous situation which, if not avoided, WILL result in death or serious injury.
- WARNING:** Indicates a potentially hazardous situation which, if not avoided, COULD result in death or serious injury.
- CAUTION:** Indicates a potentially hazardous situation which, if not avoided MAY result in minor or moderate injury.



The symbols set to the left of this paragraph are "Safety Alert Symbols". These symbols are used to call attention to items or procedures that could be dangerous to you or other persons using this equipment.



**ALWAYS PROVIDE A COPY OF THIS MANUAL TO ANYONE USING THIS EQUIPMENT. READ ALL INSTRUCTIONS BEFORE OPERATING THIS PRESSURE WASHER AND ESPECIALLY POINT OUT THE "SAFETY WARNINGS" TO PREVENT THE POSSIBILITY OF PERSONAL INJURY TO THE OPERATOR.**

Once the unit has been uncrated, immediately write in the serial number of your unit in the space provided below.

**SERIAL NUMBER** \_\_\_\_\_

Inspect for signs of obvious or concealed freight damage. If damage does exist, file a claim with the transportation company immediately. Be sure that all damaged parts are replaced and that the mechanical problems are corrected prior to operation of the unit. If you require service, contact Mi-T-M Customer Service at 800-553-9053.

Please have the following information available for all service calls:

1. Model Number
2. Serial Number
3. Date and Place of Purchase

Mi-T-M Corporation  
8650 Enterprise Drive  
Peosta, IA 52068-0050



## IMPORTANT SAFETY WARNINGS



### FIRE & VENTILATION PRECAUTIONS:

1. This unit was designed for outdoor use only. NEVER operate this unit in an enclosed area. ALWAYS make certain there is adequate air (oxygen) for combustion as well as ventilation to prevent the presence of poisonous carbon monoxide gases. Beware of poorly ventilated areas or exhaust fans which can cause inadequate combustion or engine overheating.
2. NEVER operate this unit in the presence of flammable vapors or combustible dust, gases or other combustible materials. (A spark may cause an explosion or fire.) When servicing this machine, be especially careful to properly dispose of any flammable materials. DO NOT spray flammable liquids.
3. ENGINE FUEL TANK:
  - a. **DO NOT SMOKE WHILE FILLING ENGINE FUEL TANK**
  - b. NEVER fill the engine fuel tank while the unit is running or hot. Allow the engine to cool two minutes before refueling.
  - c. DO NOT refuel indoors or in a poorly ventilated area.
  - d. ALWAYS refuel slowly to avoid the possibility of spilled fuel which may cause a risk of fire.
4. DO NOT operate the unit if gasoline is spilled. Wipe unit clean and move the unit away from the spill. Avoid creating any ignition until the gasoline has evaporated.
5. DO NOT store the unit near an open flame or any equipment such as a stove, furnace, water heater, etc., which utilizes a pilot light or devices which can create a spark.

### IMPORTANT

The following is required by California State law, Section 4442 of the California Public Resources Code. Other states may have similar laws. Federal laws apply on federal lands.

**A spark arrester must be added to the muffler of this engine if it is to be used on any forest covered, brush covered or grass covered unimproved land. The arrester must be maintained in effective working order by the operator.**

See your engine or equipment dealer for spark arrester muffler options.



## IMPORTANT SAFETY WARNINGS



### SPRAY PRECAUTIONS:



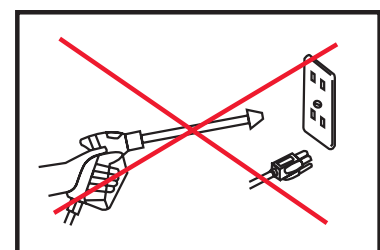
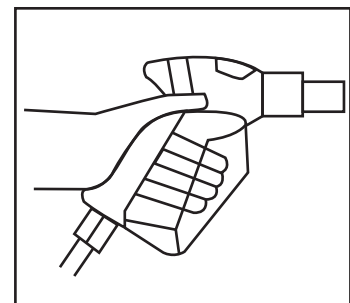
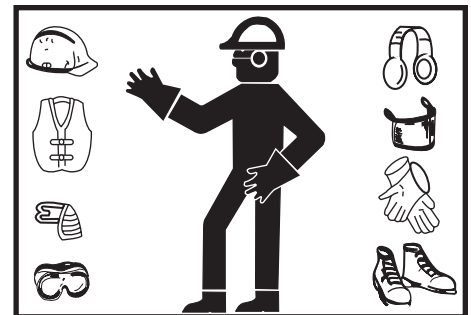
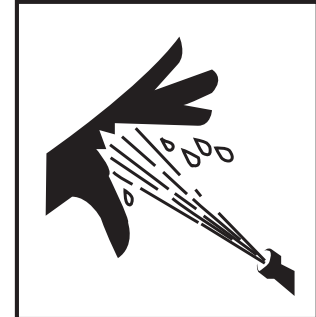
### DANGER

#### RISK OF INJECTION OR SEVERE CUTTING INJURY

#### KEEP CLEAR OF NOZZLE

**DO NOT DIRECT DISCHARGE STREAM AT PERSONS OR PETS  
ONLY TRAINED OPERATORS SHOULD USE THIS PRODUCT. WHEN  
USING THIS PRODUCT, BASIC PRECAUTIONS SHOULD ALWAYS BE  
OBSERVED INCLUDING THE FOLLOWING:**

1. KEEP AWAY FROM THE SPRAY:
  - a. Because of the high pressure and velocity of the spray, fluids can penetrate the skin, causing serious injury.
  - b. Never point the gun at yourself or anyone else. Never put your hand, fingers or body directly over the spray nozzle. Always keep operating area clear of all persons. Use **extreme** caution when operating near children.
  - c. If an accident does occur and the spray appears to have penetrated the skin, **SEEK EMERGENCY MEDICAL CARE. DO NOT TREAT AS A SIMPLE CUT.** If you are using cleaning agents, be prepared to tell a physician exactly what kind.
2. ALWAYS wear protective goggles when operating the unit to shield the eyes from flying debris and detergents. Other protective equipment such as rubber suits, gloves and respirators are advisable, especially when using cleaning detergents. Use **extreme** caution when operating near children.
3. Stay alert-watch what you are doing. Do not operate the unit when fatigued or under the influence of alcohol or drugs.
4. NEVER squeeze the trigger unless securely braced. The thrust from the water traveling through the nozzle may be powerful enough to cause the operator to lose balance if unprepared. DO NOT overreach or stand on unstable support. Wet surfaces can be slippery, wear protective foot gear and keep good footing and balance at all times. NEVER trigger the gun while on a ladder or roof.
5. Caution should be used when directing spray toward fragile materials such as glass. Shattering could result in serious injury.
6. ALWAYS hold on firmly to the gun/wand assembly when starting and operating the unit. Failure to do so can cause the wand to fall and whip dangerously. NEVER operate the gun with the trigger wired in the open position. To prevent accidental discharge, the trigger gun should be securely locked when not in use.
7. DO NOT direct spray on or into electrical installations of any kind! This includes electrical outlets, light bulbs, fuse boxes, transformers, the unit itself, etc. Severe electrical shock may occur.
8. Even after you shut off the unit, there is high pressure water left in the pump, hose and gun until you release it by triggering the gun. Before removing the spray nozzle or servicing the unit, ALWAYS shut off the unit and trigger the gun to release trapped pressure.





## IMPORTANT SAFETY WARNINGS



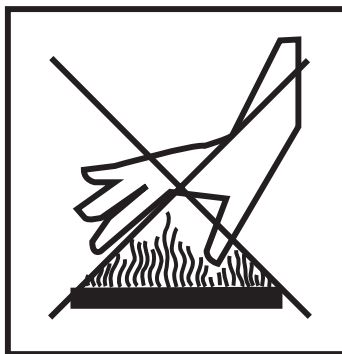
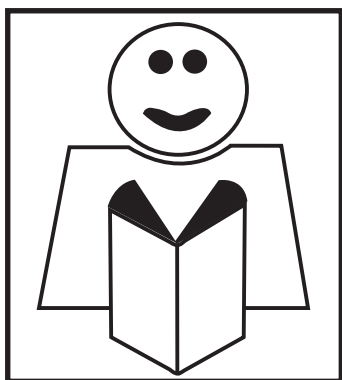
### DETERGENT CLEANING PRECAUTIONS:

1. DO NOT use solvents or highly corrosive detergents or acid type cleaners with this pressure washer. Use only Mi-T-M detergents.
2. KNOW YOUR DETERGENTS! Be prepared to tell a physician exactly what you are using in the event of an emergency. Read the Material Safety Data Sheet (MSDS) provided with your Mi-T-M Detergent and all detergent labels. Follow all appropriate instructions regarding preparation use, safety and transportation. Keep ALL detergents out of the reach of children.
3. DO NOT use this pressure washer to dispense hazardous detergents.
4. DO NOT alter the detergent injection feature in any manner not prescribed in this manual. Use only genuine Mi-T-M replacement parts for necessary repairs.



### MISCELLANEOUS SAFETY PRECAUTIONS:

1. NEVER ALLOW CHILDREN OR ADOLESCENTS TO OPERATE THIS UNIT!
2. Read and follow all handling, operations, maintenance and safety instructions listed in this manual and the Engine Operator's manual that accompanies this unit, and provide such information to ANYONE who will be operating this unit.
3. In freezing temperatures, the unit must always be warm enough to ensure there is no ice formation in the pump. DO NOT start this unit if it has been transported in an open or underheated vehicle without first allowing the pump to thaw.
4. When connecting the water inlet to the water supply mains, local regulations of your water company must be observed. In some areas the unit must not be connected directly to the public drinking water supply. This is to ensure that there is no feedback of the detergents into the water supply. (Direct connection is permitted if a back flow preventer is installed.)
5. DO NOT allow any part of your body or the high pressure hose to make contact with the muffler. Avoid dragging the hose over an abrasive surface such as cement. This causes wear and eventual rupturing.
6. High pressure hoses should be inspected daily for signs of wear. If evidence of failure exists, promptly replace all suspect hoses to prevent the possibility of injury from the high pressure spray. If a hose or fitting is leaking, NEVER place your hand directly on the leak.
7. DO NOT operate the unit if you see any pump oil or water leaks from the machine. DO NOT resume operation until the unit has been inspected and repaired by a qualified service person.
8. DO NOT operate the unit without all protective covers in place.
9. NEVER run the unit with the governor disconnected or operate at excessive speeds.
10. To reduce the risk of injury, maintain a safe distance for persons while operating this unit. Close supervision is necessary when operating the unit near children.
11. DO NOT leave pressurized unit unattended. Shut off the unit and release trapped pressure before leaving.
12. DO NOT move the unit by pulling on the hose.





## IMPORTANT SAFETY WARNINGS



### ADJUSTMENT PRECAUTIONS:

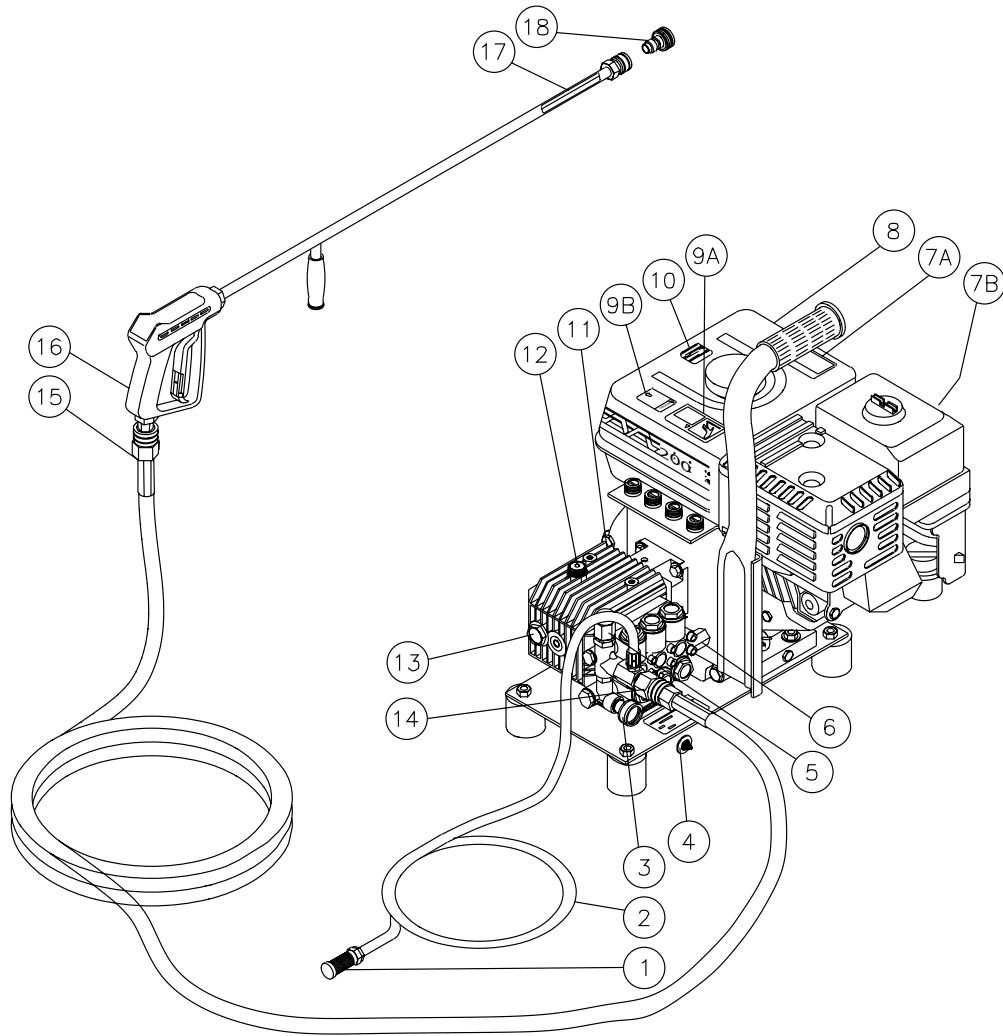
1. NEVER alter or modify the equipment, be sure any accessory items and system components being used will withstand the pressure developed. Use ONLY genuine Mi-T-M parts for repair of your pressure washer. Failure to do so can cause hazardous operating conditions and will void warranty.
2. NEVER make adjustments to the machinery while it is connected to the engine without first removing the ignition cable from spark plug. Turning the machinery over by hand during adjustment or cleaning might start the engine and machinery with it, causing serious injury to the operator.
3. Know how to stop the pressure washer and bleed pressures quickly. Be thoroughly familiar with controls.
4. Before servicing the unit; turn the unit off, relieve the water pressure, and allow the unit to cool down. Service in a clean, dry, flat area. Block the wheels to prevent the unit from moving.
5. Follow the maintenance instructions specified in this manual.



**! SAVE THESE INSTRUCTIONS !**



# CD-HAND-CARRY SERIES



CDGAS HANDCARRY-011400-RD

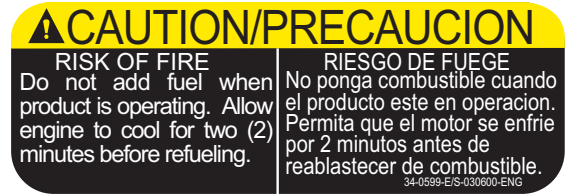
## FEATURES LISTING

- |                                |                                      |
|--------------------------------|--------------------------------------|
| 1. Detergent Strainer          | 10. Decal: Caution-Engine Fuel       |
| 2. Detergent Hose              | 11. Pump                             |
| 3. Water Inlet Strainer        | 12. Oil Dipstick                     |
| 4. Water Inlet                 | 13. Oil Sight Glass                  |
| 5. Adjustable Unloader Knob    | 14. Water Outlet                     |
| 6. Thermal relief Valve        | 15. High Pressure Discharge Hose     |
| 7A. Decal: Warning Statements  | 16. Gun/Wand Assembly                |
| 7B. Decal: Caution Statements  | 17. Decal: Warning-Risk of Injection |
| 8. Engine                      | 18. Quick Connect Nozzle             |
| 9A. Decal: Warning-Muffler Hot |                                      |
| 9B. Decal: Warning-Hand Carry  |                                      |



**SAFETY DECALS & PLACEMENT FOR CD-HAND-CARRY SERIES**  
**REFER TO PAGE 8 FOR PLACEMENT**

Reference #10 Decal: Caution-Engine Fuel (Part #34-0599)



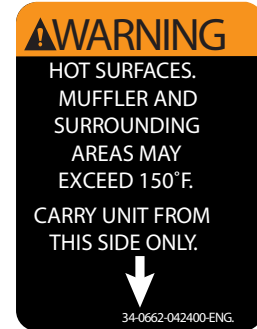
Reference #17 Decal: Warning-Risk of Injection (Part #34-1253)



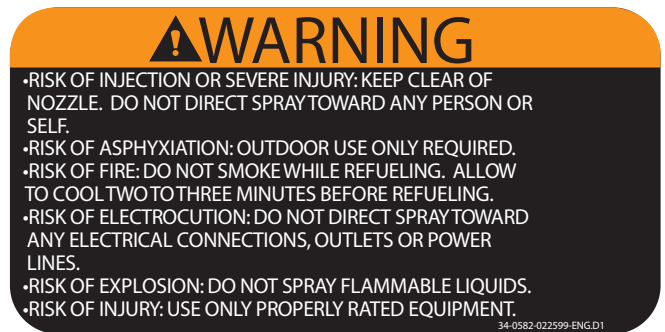
Reference #9A Decal: Warning-Muffler Hot (Part #34-0598)  
 Carry

Reference 9B Decal: Warning-Hand Carry

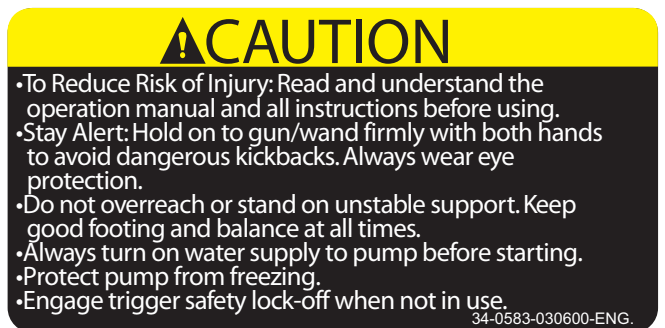
(Part # 34-0662)



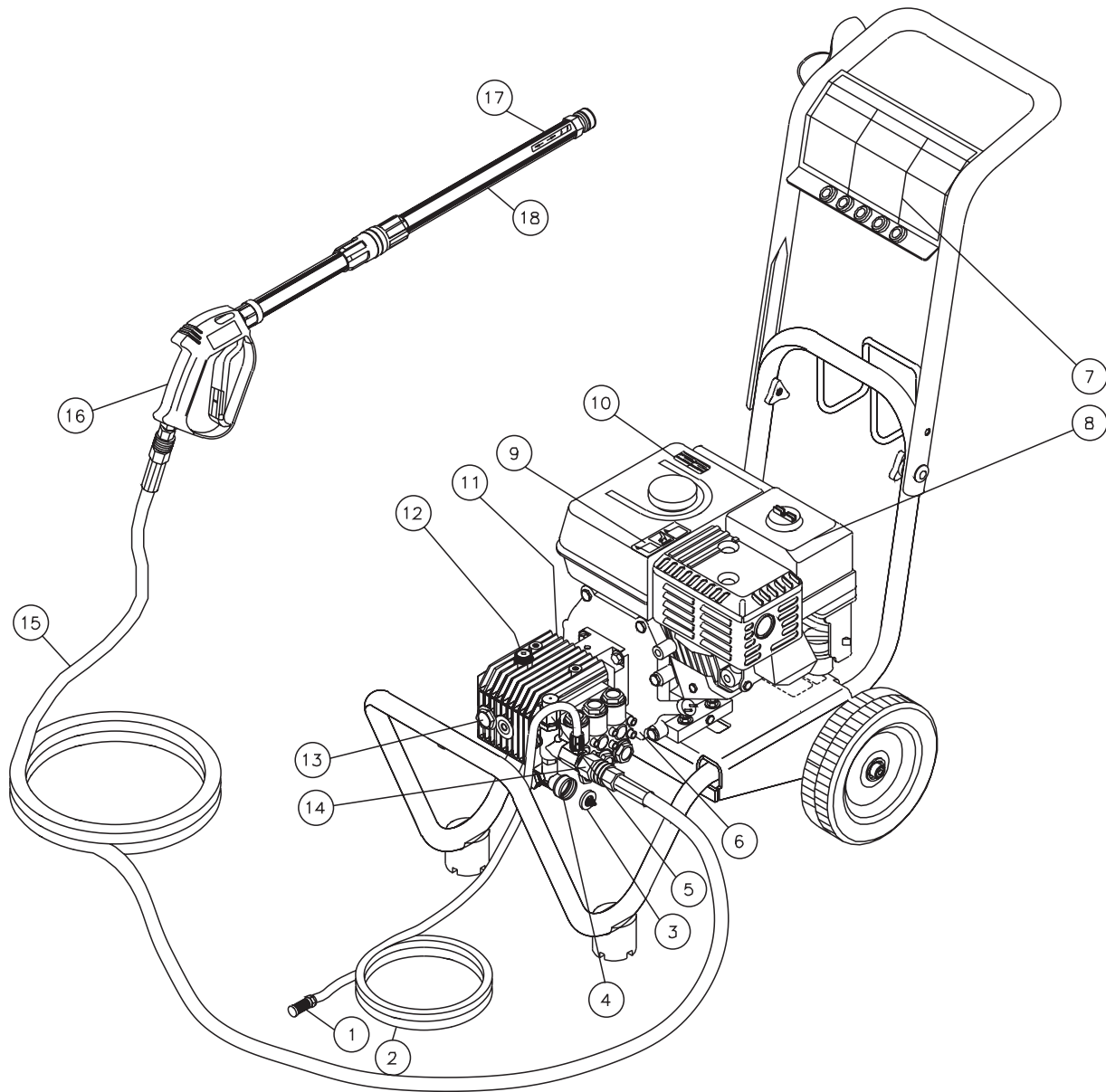
Reference #7A Decal: Warning Statements (Part #34-0582)



Reference #7B: Decal: Caution Statements (Part #34-0583)



## CD-CART SERIES



CDGAS CART2-011400-EDW

### FEATURES LISTING

- |                                      |                                      |
|--------------------------------------|--------------------------------------|
| 1. Detergent Strainer                | 10. Decal: Caution-Engine Fuel       |
| 2. Detergent Hose                    | 11. Pump                             |
| 3. Water Inlet Strainer              | 12. Oil Dipstick                     |
| 4. Water Inlet                       | 13. Oil Sight Glass                  |
| 5. Adjustable Unloader Knob          | 14. Water Outlet                     |
| 6. Thermal relief Valve              | 15. High Pressure Discharge Hose     |
| 7. Decal: Caution/Warning Statements | 16. Gun Assembly                     |
| 8. Engine                            | 17. Decal: Warning-Risk of Injection |
| 9. Decal: Warning-Muffler Hot        | 18. Lance                            |

## SAFETY DECALS & PLACEMENT FOR CD-CART SERIES REFER TO PAGE 10 FOR PLACEMENT

Reference #10 Decal: Caution-Engine Fuel (Part #34-0599) E/S

<b>⚠ CAUTION/PRECAUCION</b>	
<b>RISK OF FIRE</b> Do not add fuel when product is operating. Allow engine to cool for two (2) minutes before refueling.	<b>RIESGO DE FUEGO</b> No ponga combustible cuando el producto este en operacion. Permita que el motor se enfrie por 2 minutos antes de reabastecer de combustible.
34-0599-E/S-030600-ENG	

Reference #17 Decal: Warning-Risk of Injection (Part #34-1253)

<b>⚠ WARNING</b>	<b>⚠ ADVERTENCIA</b>
<b>RISK OF INJECTION OR SEVERE INJURY.</b> Never put your hand, fingers or body directly over the spray nozzle.	<b>RIESGO DE INYECCION O LISION SEVERA</b> Nunca coloque la mano, los dedos o el cuerpo directamente sobre la boquilla de rocío.
34-1253-030801-ENG	

Reference #9 Decal: Warning-Muffler Hot (Part #34-0598) E/S

<b>⚠ WARNING</b>	<b>⚠ ADVERTENCIA</b>
<b>RISK OF BURNS</b> <b>MUFFLER AND ADJACENT AREAS MAY EXCEED 150°F.</b>	<b>RIESGO DE QUEMAR</b> <b>EL AMORTIGUADOR Y LAS AREAS ADYACENTES PUEDEN TENER TEMPERATURAS POR ARRIBA DE 150°F.</b>
34-0598-010699-E/S-ENG.	

Reference #7 Decal: Caution/Warning Statements (Part #34-0981) E/S

<b>⚠ WARNING/ADVERTENCIA</b>	<b>⚠ CAUTION/PRECAUCION</b>	<b>OPERATION/OPERACION</b>
<ul style="list-style-type: none"> <li>• RISK OF INJECTION OR SEVERE INJURY. KEEP CLEAR OF NOZZLE. DO NOT DIRECT SPRAY TOWARD ANY PERSON OR SELF.</li> <li>• RISK OF ASPHYXIATION. OUTDOOR USE ONLY REQUIRED.</li> <li>• RISK OF FIRE. DO NOT SMOKE WHILE REFUELING. ALLOW TO COOL TWO TO THREE MINUTES BEFORE REFUELING. DO NOT OPERATE WHILE REFUELING.</li> <li>• RISK OF ELECTROCUTION. DO NOT DIRECT SPRAY TOWARD ANY ELECTRICAL CONNECTIONS, OUTLETS, OR POWER LINES.</li> <li>• RISK OF EXPLOSION. DO NOT SPRAY FLAMMABLE LIQUIDS.</li> </ul>	<ul style="list-style-type: none"> <li>• TO REDUCE RISK OF INJURY: READ AND UNDERSTAND THE OPERATION MANUAL AND ALL INSTRUCTIONS BEFORE USING.</li> <li>• STAY ALERT: HOLD ONTO GUN/WAND FIRMLY WITH BOTH HANDS TO AVOID DANGEROUS KICKBACKS.</li> <li>• ALWAYS WEAR EYE PROTECTION.</li> <li>• DO NOT OVERREACH OR STAND ON UNSTABLE SUPPORT. KEEP GOOD FOOTING AND BALANCE AT ALL TIMES.</li> <li>• ALWAYS TURN ON WATER SUPPLY TO PUMP BEFORE STARTING.</li> <li>• PROTECT PUMP FROM FREEZING.</li> <li>• ENGAGE TRIGGER SAFETY LOCK-OFF WHEN NOT IN USE.</li> </ul>	<ul style="list-style-type: none"> <li>• AFTER ENSURING ALL CONNECTIONS ARE SECURE, OPEN INLET WATER SUPPLY COMPLETELY. DO NOT OPERATE WITHOUT WATER. DO NOT USE WATER THAT IS OVER 125°F. • WITH GUN LOCKED, REMOVE NOZZLE. POINT GUN IN A SAFE DIRECTION. BRACE WAND SECURELY TO AVOID RECOIL. SQUEEZE TRIGGER OPEN. STEADY THE UNIT AND START BY PULLING ON THE STARTER ROPE. • AFTER ENGINE IS RUNNING, LOCK GUN AND INSERT DESIRED NOZZLE. POINT GUN IN A SAFE DIRECTION. UNLOCK GUN AND SQUEEZE TRIGGER TO SPRAY AND RELEASE THE TRIGGER TO STOP SPRAY. • AFTER STOPPING THE ENGINE, ALWAYS TURN OFF WATER SUPPLY AND SQUEEZE TRIGGER TO RELEASE TRAPPED PRESSURE.</li> </ul>
<ul style="list-style-type: none"> <li>• RIESGO DE INYECCION O LISION SEVERA. MANTENGA LA BOQUILLA DESPEJADA. NO DIRIJA EL CHORRO HACIA PERSONA ALUNA O HACIA USTED.</li> <li>• RIESGO DE ASFIXIA: UNICAMENTE PARA USO EN EL EXTERIOR.</li> <li>• RIESGO DE FUEGO: NO FUME MIENTRAS ESTE REABASTECIMIENTO DE COMBUSTIBLE. PERMITA QUE EL MOTOR SE ENFRIE DOS O TRES MINUTOS ANTES DEL REABASTECIMIENTO. NO OPERE EL PRODUCTOR DURANTE EL REABASTECIMIENTO.</li> <li>• RIESGO DE ELECTROCUCION: NO DIRECTA EL CHORRO HACIA CONEXIONES, ELECTRICAS, TOMAS DE CORRIENTE O LINEAS DE ALIMENTACION DE CORRIENTE.</li> <li>• RIESGO DE EXPLOSION: NO ROCIE LIQUIDOS INFLAMMABLES.</li> <li>• RIESGO DE LESION: USE UNICAMENTE EQUIP CON CLASIFICACION ADECUADA.</li> </ul>	<ul style="list-style-type: none"> <li>• PARA REDUCIR EL RIESGO DE QUE OCCURRAN LESIONES: LEA Y ENTIENDA EL MANUAL DE OPERACION Y TODAS LAS INSTRUCCIONES ANTE DE USAR EL PRODUCTO.</li> <li>• PERMANIZCA ALERTA: SOSTENGA LA PISTOLA VARILLA FIRMENTEMENTE CON AMBAS MANO PARA EVITAR GOLPES DE RETROCESO PELIGROSOS.</li> <li>• USE SIEMPRE PROTECCION OCULAR.</li> <li>• NO SE EXTIENDA DEMASIADO O SE PARE EN UN APOYO INESTABLE. MANTENGA UNA BUENA POSICION Y BALANCE TODO EL TIEMPO.</li> <li>• ANTES DE COMENZAR, ABRA SIENPRE EL SUMINISTRO DE AGUA A LA BOMBA.</li> <li>• PROTEJA LA OMB A LA CONGELACION.</li> <li>• COLOQUE EL SUGURO DEL GATILLO EN LA POSICION APAGADO CUANDO NO ESTE USANDO EL PRODUCTO.</li> </ul>	<ul style="list-style-type: none"> <li>• DISPUES DE ASEGURARSE QUE TODAS LAS CONEXIONES ESTAN SEGUIRSE. ABRA LA ENTRADA DEL SUMINISTRO DE AGUA COMPLETAMENT NO SE OPERE SIN AGUA. NO SE USE CON AGUA CON TEMPERATURAS DE MAS DE 125°F.</li> <li>• CON LA PISTOLA ASEGURADA. REMUEVA LA BOQUILLA APUNTANDO LA PISTOLA HACIA UNA DIRECCION SEGURA. REFURESE LA VARA PARA EVITAR QUE RETROCEDA. APRIETE EL GATILLO PARA ABRIRLO. MANTENGA LA UNIDAD QUIETA. Y COMIENZE HALANDO FIRMIEMENTE EN LA CUERDA DE INICIAR.</li> <li>• DESPUES DE QUE EL MOTOR ESTE TRABAJANDO. ADJUSTE LA BOQUILLA A LA POSICION DESEADA. APRIETE EL GATILLO PARA ROCIAR Y SUELTELLO PARA DETENER EL ROCIADO.</li> <li>• DESPUES DE DETENER EL MOTOR. CIERRE DIEMPRE EL SUMINISTRO DEL AGUO AND APRIETE EL GATILLO PARA LIBERAR LA PRESION ATRAPADA.</li> </ul>
34-0981-063099-E/S-ENG.		

## INSTALLATION & PREPARATION



### ATTIRE:

Proper attire is essential to your safety. It is advised to utilize whatever means necessary to protect eyes, ears, and skin. Additional safety attire (such as respiratory mask) may be required when using detergent cleaning agents with this washer.

### SETUP:

1. This unit should only be placed on a level surface to ensure proper lubrication for the engine and water pump while operating. NEVER spray water directly on the unit!
2. Do not place unit in an area:
  - a. with insufficient ventilation
  - b. where there is evidence of oil or gas leaks
  - c. where flammable gas vapors may be present
3. Be certain to block the wheels to prevent the unit from moving while operating.
4. Do not allow the unit to be exposed to rain, snow or freezing temperatures. If any part of the unit becomes frozen, excessive pressure may build up in the unit which could cause it to burst resulting in possible serious injury to the operator or bystanders.
5. Before initial use, ensure the oil dipstick is inserted into the pump. Because of varying shipping requirements, the pump may need to be shipped with an oil travel plug instead of the dipstick in the pump. If your pump has been shipped with an oil travel plug, you will need to remove it and replace the plug with the oil dipstick provided with the unit.
6. Once properly installed, check the oil sight glass on the pump crankcase. Make certain the oil level is in the center of the sight glass before each use. If the level appears to be low, use Mi-T-M pump oil #AW-4085-0016. DO NOT OVERFILL!



### DANGER

**RISK OF EXPLOSION OR FIRE!**  
DO NOT PLACE UNIT IN AN AREA WHERE FLAMMABLE GAS VAPORS MAY BE PRESENT. A SPARK COULD CAUSE AN EXPLOSION OR FIRE!

**RISK OF UNIT BURSTING!**  
DONOTSTORE/OPERATEUNITIN A FREEZING ENVIRONMENT!



### WARNING

**RISK OF ASPHYXIATION!**  
DO NOT OPERATE IN AN ENCLOSED AREA. USE THIS PRODUCT ONLY IN WELL VENTILATED AREAS!  
THE EXHAUST FROM THE ENGINE CONTAINS CARBON MONOXIDE, A POISONOUS, ODORLESS AND INVISIBLE GAS. BREATHING THIS GAS CAN CAUSE SERIOUS INJURY, ILLNESS & POSSIBLE DEATH.



### DANGER

#### **RISK OF FIRE!**

-DO NOT SMOKE WHILE FUELING!  
-DO NOT FILL THE FUEL TANK WHILE UNIT IS RUNNING OR HOT. ALLOW UNIT & ENGINE TO COOL FOR TWO MINUTES BEFORE REFUELING.  
-DO NOT FILL FUEL TANK TO POINT OF OVERFLOWING. ALLOW APPROXIMATELY 1/4" OF TANK SPACE FOR FUEL EXPANSION.

### ENGINE FUEL TANK:

1. Review "Fire & Ventilation Precautions" pg. 4, before fueling.
2. Locate the Safety Decals on your unit and heed their warnings.
3. A minimum of 86 octane fuel is recommended for use with this unit. DO NOT MIX OIL WITH GASOLINE.
4. Purchase fuel in quantities that may be used within 30 days. Use of clean, fresh lead free gasoline is recommended. Leaded gasoline may be used if lead-free is unavailable. DO NOT use gasoline containing methanol or alcohol.
5. Check the engine oil level before starting the engine. (See Engine manual.)
6. Fill the fuel tank according to accompanying engine manual instructions.
7. Occasional carburetor and choke adjustments will be necessary for the engine. Refer to the engine manual supplied with this unit for proper adjustment procedures.
8. **Review the engine manual accompanying this pressure washer for correct engine start-up and maintenance procedures.**



### WARNING

**RISK OF EXPLOSION OR FIRE!**  
ALWAYS STORE FUEL AWAY FROM THE WASHER WHILE THE UNIT IS RUNNING OR HOT.

## INSTALLATION & PREPARATION

### NOZZLE REVIEW:

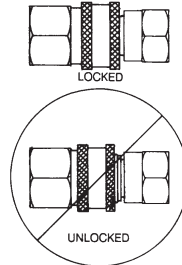
Various nozzles may be quick-connected into the end of the wand to change the spray pattern or use the detergent feature. When using Quick Connects (Q.C.), be certain the connection is securely locked. If not, the high pressure water may shoot the nozzle from the wand, causing severe injury or serious damage. To determine spray fan, refer to the actual number stamped on the nozzle. The first two digits indicate the spray fan in degrees, i.e.; 00=0°, 15=15°, 25=25°, 6540°=detergent/low pressure.

1. **The 0° nozzle (RED):** This is a blasting nozzle. It delivers a very concentrated stream of water. Be cautious when using the straight narrow stream. It is not recommended for use on painted or wood surfaces, or items attached with adhesive backings. Uses: Removing weeds from sidewalk cracks, stubborn stains from concrete, masonry, aluminum and steel, caked mud from equipment, and cleaning lawn mower undersides.
2. **The 15° nozzle (YELLOW):** This is a chiseling nozzle. The spray should be directed at a 45° angle to the surface and used like a scraper to remove paint, grease and dirt. Uses: Surface preparation (removing mildew stains and paint chips).
3. **The 25° nozzle (GREEN):** This is a flushing nozzle. This pattern is best suited for flushing dirt, mud, and grime. Uses: Wet sweeping leaves from walks, curbs and driveways, cleaning stable floors, washing swimming pool bottoms, degreasing engines.
4. **The 65° nozzle (BLACK):** This is a low pressure detergent application nozzle. This broad spray pattern distributes solution over vast areas under low pressure. Uses: Detergent application, misting or rinsing.

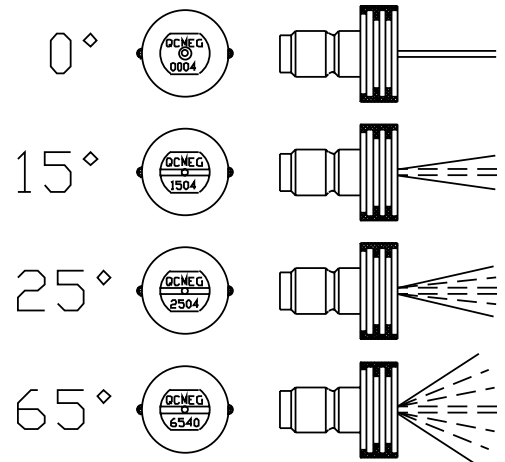
### **WARNING**

**RISK OF INJECTION CAUSING SEVERE INJURY!**  
**NEVER LOOK DIRECTLY AT THE NOZZLE ORIFICE UNLESS IT IS DISCONNECTED FROM THE GUN/WAND ASSEMBLY!**

#### CONNECTION OF Q.C. NOZZLES



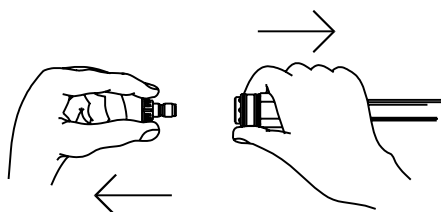
#### QUICK-CONNECT (Q.C.) NOZZLES



### NOZZLE CONNECTION:

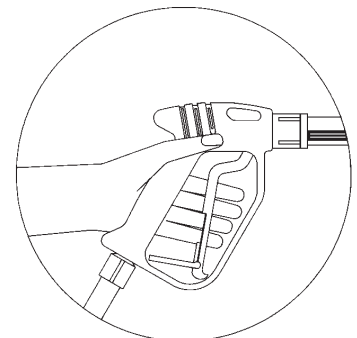
1. Be certain the trigger gun is locked in the "OFF" position. See *WARNING*, right.
2. The nozzle assembly should be disconnected from the gun assembly at this time. Retract the locking ring on the quick-connect fitting to remove the nozzle.

#### QUICK-CONNECTION



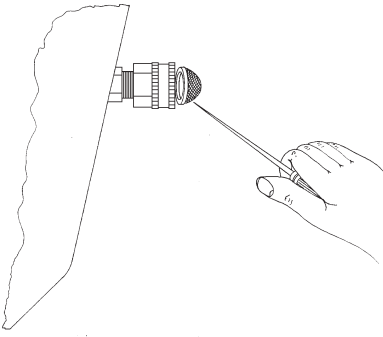
### **WARNING**

**RISK OF SEVERE INJURY!**  
**THE TRIGGER GUN SHOULD ALWAYS BE LOCKED IN THE OFF POSITION WHEN NOT IN USE!**



## INSTALLATION & PREPARATION

### CHECK WATER INLET STRAINER



### **WATER SUPPLY:**

1. Select a water supply hose which is a quality grade of garden hose measuring at least 3/4" ID and no longer than 50 feet.
2. Check the water inlet strainer to ensure it is clean and free of any obstructions. Periodic cleaning of the water strainer will help prevent pump problems. As a strainer becomes obstructed, it restricts proper flow of water to the pump. This can result in cavitations which will cause premature failure of pump packings. Using a screw driver, remove the screen; clean or replace with Mi-T-M #19-0001 if necessary.
3. Connect the hoses:
  - a. Connect one end of the water supply hose to the water inlet of the unit.
  - b. Connect the other end of the hose to your pressurized water supply.

**NOTE:** *Do not use a non-pressurized water supply (i.e. from a pond or well) with this unit.*

- c. Quick-connect the high pressure discharge hose to the water outlet of the unit.
4. Follow the incoming water requirements listed below:
    - a. Water pressure must be a minimum of 20 pounds per square inch (PSI) and a maximum of 125 PSI. (A typical outdoor faucet will generally supply this PSI if turned completely "ON".)
    - b. Incoming GPM must be approximately one gallon more than the outgoing GPM stated on the pressure washer nameplate. (You can check GPM by timing how long it takes to fill a 5 gallon container.)
    - c. Incoming water temperature must not exceed 125°F. Excessive pump damage may result if the water temperature exceeds this acceptable level.
  5. Never allow the unit to operate without the incoming water line attached and the water supply completely turned on.



### **CAUTION**

**RISK OF UNIT DAMAGE!  
DO NOT OVERTIGHTEN THE  
UNLOADER. BREAKAGE WILL  
RESULT IN IMMEDIATE LOSS OF  
WATER PRESSURE AND COSTLY  
REPAIRS.**

### **UNLOADER:**

The unloader on your machine is equipped with an adjustment knob so you can adjust the pressure. Should less pressure be required, simply turn the adjustment knob counterclockwise. To set back to maximum, turn adjustment knob completely clockwise. **DO NOT OVERTIGHTEN!**

### **THERMAL RELIEF VALVE:**

To ensure the water temperature does not exceed acceptable levels, never allow the pressure washer to operate in the bypass mode (with the unit running and the trigger gun closed) for more than three minutes.

A "thermal relief valve" has been added to this unit to protect the pump. It may begin to open and release water if the water temperature in the pump has exceeded 140°F. This will allow fresh, cool water to enter the system.

## INSTALLATION & PREPARATION

### PRE-START INSPECTION PROCEDURES:

Before starting the unit, perform the following procedures:

1. Check the oil level in the pump and engine.
  2. Inspect the inlet water strainer. Clean or replace if necessary. See "Water Supply", #2, pg. 14.
  3. Check all hose connections to ensure they are securely tightened. See "Water Supply", #3, pg. 14.
  4. Inspect for system fuel leaks. If a fuel leak is found, DO NOT START UNIT! See "Fire & Ventilation Precautions", #2 and #4, pg. 4. Be sure that all damaged parts are replaced and that the mechanical problems are corrected prior to operation of the unit. If you require service, contact Mi-T-M Customer Service.
  5. Inspect high pressure hoses for kinking, cuts and leaks. If a cut or leak is found, DO NOT USE HOSE! Replace hose before starting unit. See "Miscellaneous Safety Precautions" #6, pg. 6. Be sure that all damaged parts are replaced and that the mechanical problems are corrected prior to operation of the unit. If you require service, contact Mi-T-M Customer Service.
- 

## END OF PREPARATION INSTRUCTIONS



### THE FOLLOWING PAGES CONTAIN OPERATING AND MAINTENANCE INSTRUCTIONS

**DO NOT ATTEMPT TO OPERATE THIS PRESSURE WASHER UNTIL YOU HAVE READ AND UNDERSTOOD ALL SAFETY PRECAUTIONS AND INSTRUCTIONS LISTED IN THIS MANUAL.**

**INCORRECT OPERATION OF THIS UNIT CAN CAUSE SERIOUS INJURY!!**

**DO NOT ALTER OR MODIFY THIS EQUIPMENT IN ANY MANNER!**

## OPERATING INSTRUCTIONS

### PRIMING THE PUMP:

1. It is essential to prime the pump on initial start-up and each time the water supply is disconnected from the unit after initial use.
2. Lay the high pressure hose out to remove any loops. Water flow will tighten the hose, creating tight loops if the hose is not straight.
3. Securely connect the gun assembly to the high pressure hose.

**NOTE:** *The nozzle assembly should NOT be connected to the gun assembly at this time. See "Nozzle Connection", pg. 13.)*

4. With the trigger gun locked in the "OFF" position, turn the water supply completely on. Pointing the gun in a safe direction, unlock the trigger gun and squeeze the trigger.
5. Low pressure water will begin flowing from the hose/gun assembly. This allows the unit to prime and purge any air from the system. The unit is primed when water flow is uninterrupted by air.
6. Once the unit is primed, release the trigger and lock the gun in the "OFF" position. Securely connect the nozzle assembly. (See "Nozzle Connection", pg. 13.)

### START-UP:

1. Refer to the "Safety Precautions" pgs. 4-7 before starting the unit.
2. Locate the Safety Decals on your unit and heed their warnings.
3. With the gun locked in the "OFF" position, point the trigger gun away from yourself or anyone else.
4. Disengage the safety lock-off on the gun and squeeze the trigger. Low pressure water will begin flowing from the nozzle.
5. **BE CERTAIN the trigger gun remains in an open position while starting the engine.** Brace yourself as the gun will kickback from the high pressure created by the pump once the engine has started.
6. Put your foot on the frame or wheel to steady the unit during engine start-up. (Refer to the engine manual accompanying this pressure washer for the correct procedures needed to start the engine.)
7. Once the engine has started, perform the following procedures with the gun open:
  - a. Inspect for system water leaks, oil leaks and fuel leaks. If a fuel leak is found, **TURN UNIT OFF IMMEDIATELY!** See "Fire & Ventilation Precautions", #2 and #4, pg. 4. Be sure that all damaged parts are replaced and that the mechanical problems are corrected prior to operation of the unit. If you require service, contact Mi-T-M Customer Service.
  - b. Inspect high pressure hoses for kinking, cuts and leaks. If a cut or leak is found, **DO NOT TOUCH HOSE AT LEAK!!! TURN UNIT OFF IMMEDIATELY!** Replace hose before restarting the unit. See "Miscellaneous Safety Precautions" #6, pg. 6. Be sure that all damaged parts are replaced and that the mechanical problems are corrected prior to operation of the unit. If you require service, contact Mi-T-M Customer Service.
8. Trigger the gun several times and try adjusting the spray pattern. **Be certain** to **LOCK** the trigger gun in the "OFF" position whenever moving the adjustable or high/low nozzle, or changing quick-connect nozzles. **NEVER** look directly into the nozzle! High pressure water creates a risk of severe injury!
9. Do not allow unit to operate in bypass mode (with trigger closed) for more than three minutes without triggering the gun. Failure to follow this simple rule can cause premature failure of pump packing seals, resulting in costly pump repair.
10. Because your pressure washer delivers a high pressure spray and a variety of spray patterns, there are many cleaning jobs that can be done without the use of detergents. If a cleaning agent is required, see "Cleaning With Detergents" pg. 17 for the correct procedures.



### **DANGER**

**RISK OF INJECTION CAUSING SEVERE INJURY!**

- KEEP CLEAR OF NOZZLE! NEVER PLACE HAND OR FINGERS IN FRONT OF NOZZLE!
- DO NOT DIRECT DISCHARGE STREAM AT PEOPLE OR PETS!
- BE CERTAIN THE NOZZLE IS SECURELY CONNECTED TO THE WAND TO PREVENT ACCIDENTAL DISCHARGE!



### **CAUTION**

**RISK OF DAMAGE.**

**DO NOT ALLOW SPRAY PATTERN TO REMAIN ON A FIXED AREA FOR AN EXTENDED PERIOD OF TIME. POSSIBLE DAMAGE MAY OCCUR TO THE AREA.**



## OPERATING INSTRUCTIONS

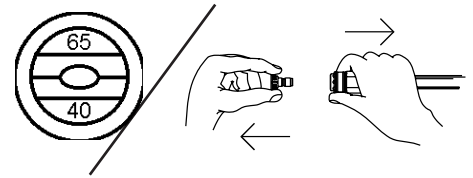
### CLEANING WITH DETERGENTS:

1. Refer to "Detergent Cleaning Precautions" pg. 6 before working with detergents. Be certain to wear protective safety attire as stated on pg. 12.
2. Prepare detergent solution according to label directions. Never pump acids, alkaline, abrasive fluids or solvents through the unit. Due to the unknown and often corrosive characteristics of many detergents commonly used in the pressure washer cleaning industry, it is recommended to use only Mi-T-M detergents with this unit.
3. Connect the detergent hose to the unit as shown on the Feature Page pertaining to your unit. (Page 8 or 10.)
4. Adjust the amount of detergent desired by locating the adjustment knob at the end of the clear vinyl hose near the pump head. Turn the knob completely counterclockwise to set at the maximum siphon rate.
5. Immerse the strainer into the detergent solution to allow detergent to siphon.
6. Be certain the water supply is completely turned "ON".
7. With the trigger gun locked in the "OFF" position, securely quick-connect the detergent spray nozzle (#6540° BLACK) into the end of the wand.

**NOTE:** *This injection system is designed to apply detergents under low pressure only. It will not allow detergent solutions to be introduced into the system unless the nozzle assembly is in the low pressure detergent mode.*

8. To apply solution; unlock the trigger gun and squeeze the trigger. In a few moments a detergent/water mixture will exit the low pressure nozzle. Start spraying the lower portion of the surface being cleaned and move up, using long overlapping strokes. Applying from the bottom up helps avoid streaking. Allow to soak briefly. DO NOT allow detergent solution to dry on the surface. (Avoid working on hot surfaces or in direct sunlight to minimize the chances of the detergent drying, which may result in damaging painted surfaces.) Be certain to rinse a small section at a time.
9. To rinse; lock the trigger gun in the "OFF" position, securely quick-connect the 40° nozzle into the end of the wand. Unlock the trigger gun and spray. It will take about 30 seconds to purge all detergent from the line. For best rinsing results, start at the top and work down.
10. Siphon a gallon of water through the low pressure detergent injection system after each use. This prevents the possibility of corrosion or detergent residue causing mechanical problems during the next use.

### QUICK CONNECT DETERGENT



### SHUTDOWN:

1. Turn engine "OFF" as directed in the Engine Manual.
2. Turn the water supply "OFF".
3. Pointing the gun in a safe direction, trigger gun momentarily to relieve any trapped pressure.
4. Once pressure is relieved, disconnect the nozzle assembly.
5. Disconnect and drain gun, wand and hoses.
6. Wipe unit clean and store with gun, wand and hoses in a safe, non-freezing area.

## STORAGE & MAINTENANCE

### SPECIFIC MAINTENANCE

- ENGINE:** The engine instructions that accompany your unit detail specific procedures for maintenance of the engine. Following the engine manufacturer's recommendations will extend engine work life.
- PUMP:** Change the pump oil after the first 25 hours of operation. After initial change, every 3 months or 250 hour intervals are recommended. If oil appears dirty or milky, changes may be required in greater frequency. Fill only to the dot on the oil sight glass using Mi-T-M pump oil #AW-4085-0016. DO NOT overfill.
- QUICK COUPLERS:** There is an o-ring seal inside the female quick-coupler at the water outlet of your unit. This o-ring will deteriorate or, if the unit is allowed to pump without the high pressure hose or nozzle attached, it may be blown out occasionally. Simply insert a replacement o-ring to correct the leak. (Additional o-rings can be purchased from your dealer.)
- NOZZLES:** Water flow through the spray nozzle will erode the orifice, making it larger, resulting in a pressure loss. Nozzles should be replaced whenever pressure is less than 85% of the maximum. The frequency of replacement will depend upon such variables as mineral content in the water and number of hours the nozzle is used.

## STORAGE & MAINTENANCE

### WINTERIZING:

For storage and transportation purposes in subfreezing ambient temperatures, it will be necessary to winterize this unit. This unit must be protected to the lowest incurred temperature for the following reasons:

1. If any part of the pumping system becomes frozen; excessive pressure may build up in the unit which could cause the unit to burst resulting in possible serious injury to the operator or bystanders.
2. The pumping system in this unit may be permanently damaged if frozen. FREEZE DAMAGE IS NOT COVERED BY WARRANTY.

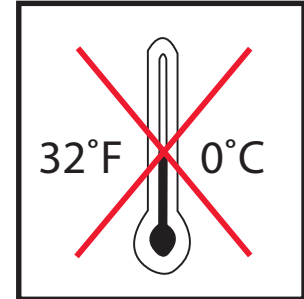
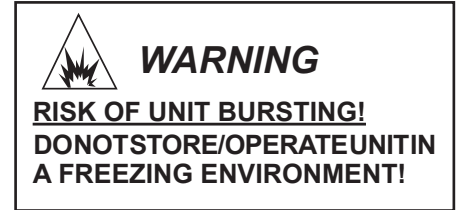
If you must store your unit in an area where the temperature may fall below 32°F, you can protect your unit by following the procedure outlined below.

1. Gather the following items:
  - a. Two 5 gallon containers.
  - b. One gallon of antifreeze. (Mi-T-M recommends an environmentally safe antifreeze.)
  - c. Water supply.
  - d. Three foot hose, 1/2-3/4 I.D. with a 3/4 inch male garden hose fitting.
2. Procedure:
  - a. To start winterizing, unit must be run and primed according to the "Start-up Procedures" listed on page 12.
  - b. After running and priming, shut off the unit and water supply.
  - c. Relieve system pressure by pointing the trigger gun in a safe direction and squeezing the trigger until water flow ceases to exit the nozzle.
  - d. Lock the trigger gun in an OFF position and remove the nozzle.
  - e. Remove the water supply hose from the unit and attach the 3 foot hose securely to the inlet connection.
  - f. Shut off the detergent injector if applicable.
  - g. Fill one 5 gallon bucket with water.
  - h. Holding the 3 foot hose in an upright position, completely fill the hose with water. Then plug the hose outlet with your thumb or finger. Place the plugged end into the 5 gallon bucket of water.
  - i. Start the unit. Trigger the gun several times until all the air is worked out of the system (unit is primed). It may be necessary to adjust the engine RPM down to an idle to aid in priming.

**NOTE:** *Proper winterizing is based on the recommended manufacturer's instructions listed on the "Protection Chart" shown on the back label of most antifreeze containers.*

- j. With the trigger gun held open, siphon enough water out of the 5 gallon bucket until there is just enough water left to mix with the antifreeze.
  - k. Point the wand into the empty container.
  - l. Trigger the gun until the antifreeze begins to exit the wand. Release the trigger for 3 seconds, then trigger the gun for 3 seconds. Continue cycling the gun several times until all the antifreeze mixture is siphoned from the container.
  - m. Detach the 3 foot hose from the unit and drain any excess antifreeze back into the 5 gallon container.
  - n. Disconnect the hose/gun/wand assembly from the unit and drain any excess antifreeze back into the 5 gallon container.
  - o. Store the hose, gun and wand with the unit in a safe area.
  - p. Store antifreeze solution for next use or dispose of according to state EPA laws.
3. Optional Procedure:
    - a. Shut the unit and water supply off.
    - b. Relieve system pressure by pointing the trigger gun in a safe direction and squeezing the trigger until water flow ceases to exit the nozzle.
    - c. Disconnect and drain the hose, gun and wand.
    - d. Start the unit and allow it to run until all the water exits the unit. Once the water has stopped flowing from the unit, turn off.

**NOTE:** *When using this procedure, caution should be used as ice chips can form from drops of water which could cause the unit to burst if starting before completely thawed.*



## TROUBLESHOOTING

SYMPTOM	PROBABLE CAUSE	REMEDY
Engine will not start.	Various engine problems.	Refer to the engine manual accompanying your unit.
	Unit components are frozen.	Allow to thaw. If any part of the unit becomes frozen; excessive pressure may build up in the unit which could cause the unit to burst, resulting in possible serious injury to the operator or bystanders.
No discharge at nozzle when trigger mechanism is squeezed.	Inadequate water supply.	Ensure hose is 3/4" diameter and incoming water supply is turned on.
	Kink in water inlet hose.	Remove kink.
Low or fluctuating pressure.	Kink in high pressure discharge hose.	Replace kinked high pressure hose.
	Water inlet screen obstructed.	Remove screen, clean or replace.
	Pump sucking air. (Prime eliminated)	Tighten all water intake connections Eliminate leaks in intake line.
	Not in high pressure mode.	Adjust pressure on the unloader.
	Obstructed or worn spray nozzle.	Remove, clean, or replace.
	Damaged or obstructed valve assy. on pump.	Remove, inspect, clean or replace.
	Pump packings worn.	Replace packings.
	Bypass valve not operating correctly.	Repair or replace.
Water is leaking from the "Thermal Relief Valve".	Water temperature is too high.	Do not allow unit to operate in the bypass mode (with trigger gun closed) for more than three minutes. Replace.
	Defective valve.	
Oil appears milky or foamy.	Water in oil.	Change pump oil. Fill to proper level.
Oil leaking from unit.	<b>DO NOT USE!!!!</b>	Contact Mi-T-M Service.
Detergent will not siphon into Low Pressure Detergent mode.	Detergent strainer is not completely submerged in detergent solution.	Check, submerge if necessary.
	Detergent strainer obstructed.	Inspect, clean or replace.
	Detergent hose cut, obstructed or kinked.	Inspect, clean or replace.
	Detergent adjusting knob turned to closed position.	Open adjusting knob. Refer to "Cleaning with Detergents" pg. 17.
	Not in Low Pressure mode.	Insert 6540° nozzle.
	Nozzle assembly is plugged.	Clean or replace.
	Too many high pressure hose extensions attached to the water outlet.	Use one extension maximum.
	Ball & Spring in Venturi stuck.	Remove, clean or replace.
Water flows back into detergent container.	Ball & Spring in Venturi reversed, missing or corroded.	Remove, clean or replace.
Water flows from the nozzle when the trigger gun is locked in the "OFF" position.	Gun is malfunctioning.	Repair or replace.

## ACCESSORIES

		CD-2003-3MHH	CD-2003-2MHC	CD-2003-2MVC
15-0006	3/4" SUPPLY HOSE	X	X	X
50-0085	EXTENSION WAND 18"		X	X
50-0086	ANGLED EXTENSION WAND		X	X
851-0007	EXTENSION HOSE 50' 3000 PSI	X	X	X
AW-3000-0000	SANDBLASTER CARBIDE NOZZLE (Please specify PSI & GPM when ordering.)	X		
AW-3020-0000	SANDBLASTER CERAMIC NOZZLE (Please specify PSI & GPM when ordering.)	X		
AW-4085-0016	PUMP OIL	X		
AW-7002-4045	ROTATING G-FORCE NOZZLE	X		
AW-7003-1500	ROTATING BRUSH	X		
AW-7015-1200	EXTENDED REACH WAND 12'	X	X	X
AW-7015-1800	EXTENDED REACH WAND 18'	X	X	X
AW-7015-2400	EXTENDED REACH WAND 24'	X	X	X
AW-7020-8000	ROTARY SURFACE CLEANER	X	X	X
AW-7025-0000	25" POWER BROOM (5 - 80° NOZZLES) (Please specify PSI & GPM when ordering.)	X		
AW-7035-8000	35" POWER BROOM (5 - 80° NOZZLES) (Please specify PSI & GPM when ordering.)	X		
AW-7103-1800	EXTENSION WAND 18"	X		
AW-7103-3600	EXTENSION WAND 36"	X		
AW-7103-7200	EXTENSION WAND 72"	X		

**Mi-T-M All-Purpose Cleaner, Paint Surface Prep, Deck & House Wash, and Heavy Duty Degreaser** are specially formulated detergents for use with all Mi-T-M pressure washers and are packaged in One (1), Five (5), and Fifty-Five (55) Gallon containers. Contact Mi-T-M Customer Service Department at 800-553-9053 for more information.

## STATEMENT OF WARRANTY

Mi-T-M Corporation warrants all parts, (except those referred to below), of your new Mi-T-M CD-Gasoline Series pressure washer to be free from defects in materials and workmanship during the following periods:

For Lifetime against freezing and cracking:  
Pump Manifold

For Five (5) Years from the date of original purchase:  
High Pressure Pump

For Two (2) Years from the date of original purchase:  
Cart Assembly                      Plumbing

For One (1) Year from date of original purchase:  
GFCI                                      Selector Switch

For Ninety (90) days from the date of original purchase:  
Trigger Gun/Wand                      Unloader Valve  
High Pressure Hose                      Strainer/Filter

Defective parts not subject to normal wear and tear will be repaired or replaced at our option during the warranty period. In any event, reimbursement is limited to the purchase price paid.

### EXCLUSIONS

1. Engine is covered under separate warranty by its respective manufacturer and is subject to the terms set forth therein.
2. Normal wear parts:  
Pump Packings                      Spray Nozzles  
Pump Valves                          Detergent Valves  
O-rings                                  Quick-Couplings/Screw Connects
3. This warranty does not cover parts damaged due to normal wear, misapplication, misuse, operation at other than recommended speeds, pressures or temperature. Parts damaged or worn because of the use of caustic liquids or by operation in abrasive or corrosive environments or under conditions causing pump cavitation are not warranted. Failure to follow recommended operating and maintenance procedures also voids warranty.
4. The use of other than Genuine Mi-T-M Repair Parts will void warranty. Parts returned, prepaid to our factory or to a Mi-T-M Authorized Service Center will be inspected and replaced free of charge if found to be defective and subject to warranty. There are no warranties which extend beyond the description of the face hereof. Under no circumstances shall Mi-T-M Corporation bear any responsibility for loss of use of the unit, loss of time or rental, inconvenience, commercial loss or consequential damages.

For Service or Warranty Consideration, Contact:  
Mi-T-M Corporation, 8650 Enterprise Drive, PO Box 50, Peosta, IA 52068-0050  
(563) 556-7484 / (800) 553-9053 / Fax (563) 556-1235  
Monday - Friday 8:00 a.m. - 5:00 p.m. CST



## TABLA DE MATERIAS

<b>INTRODUCCION.....</b>	<b>25</b>
<b>ADVERTENCIAS IMPORTANTES DE SEGURIDAD.....</b>	<b>26-29</b>
PRECAUCIONES PARA FUEGO Y VENTILACIÓN .....	26
PRECAUCIONES PARA ROCIADO.....	27
PRECAUCIONES PARA LIMPIEZA CON DETERGENTES .....	28
PRECAUCIONES MISCELANEAS DE SEGURIDAD.....	28
PRECAUCIONES DE AJUSTE .....	29
<b>ILUSTRACION DE LOS ELEMENTOS Y COMPONENTES.....</b>	<b>30 &amp; 32</b>
<b>CALCOMANIAS DE SEGURIDAD.....</b>	<b>31 &amp; 33</b>
<b>INSTALACION Y PREPARACION.....</b>	<b>34-37</b>
VESTIMENTA.....	34
PREPARACION.....	34
TANQUE DE COMBUSTIBLE DEL MOTOR.....	34
BOQUILLAS DE CONEXION RAPIDA .....	35
CONEXION DE LA BOQUILLA .....	35
SUMINISTRO DE AGUA.....	36
DESCARGADOR .....	36
VALVULA DE DESCARGA TERMICO.....	36
PROCEDIMIENTOS DE INSPECCION ANTES DEL ARRANQUE.....	37
<b>INSTRUCCIONES DE OPERACION .....</b>	<b>38-39</b>
CEBADO DE LA BOMBA .....	38
ARRANQUE .....	38
LIMPIEZA CON DETERGENTES .....	39
APAGADO .....	39
<b>ALMACENAMIENTO Y MANTENIMIENTO .....</b>	<b>40-41</b>
MANTENIMIENTO ESPECIFICO.....	40
PREPARACION PARA EL INVIERNO.....	41
<b>LOCALIZACION DE FALLAS .....</b>	<b>42</b>
<b>ACCESORIOS .....</b>	<b>43</b>
<b>DECLARACION DE GARANTIA.....</b>	<b>44</b>

**⚠ WARNING**

**ADVERTENCIA:** Este producto tiene plomo, una sustancia química conocida al Estado de California a causar cáncer y defectos de nacimiento u otro daño reproductivo.

*Lávese las manos despues de usar este producto.*

**⚠ ADVERTENCIA**

Los gases del motor del este producto contiene química conocido por el estado de California a causar cancer, defectos de nacimiento, y otros peligros reproductor.

**⚠ ADVERTENCIA**

Este producto contiene química conocido por el estado de California a causar cancer, defectos de nacimiento, y otros peligros reproductor.



## INTRODUCCION

¡Felicitaciones por la compra de su nueva lavadora a presión! Puede estar seguro que su lavadora a presión fue construida con el nivel más alto de precisión y exactitud. Cada componente ha sido probado rigurosamente por técnicos para asegurar la calidad, la resistencia y el rendimiento de esta unidad.

Este manual del operador fue compilado para su beneficio. Leyendo y siguiendo los pasos simples de seguridad, instalación, operación, mantenimiento y localización de fallas descritos en este manual ayudará a prolongar aun más la operación libre de fallas que usted puede esperar de su nueva lavadora a presión. El contenido de este manual está basado en la información actualizada disponible al momento de la publicación. Fabricante se reserva el derecho de efectuar cambios en precio, color, materiales, equipo, especificaciones o modelos en cualquier momento sin previo aviso.

### ¡IMPORTANTE!

Estos párrafos están rodeados por una “CASILLA DE ALERTA DE SEGURIDAD”. Esta casilla se usa para designar y enfatizar las Advertencias de Seguridad que deben seguirse al operar esta lavadora a presión. Acompañando a las Advertencias de Seguridad están las “palabras de alerta” que designan el grado o nivel de seriedad de riesgo. Las “palabras de alerta” usadas en este manual son las siguientes:

**PELIGRO:** Indica una situación inminente riesgosa la cual, si no se evita, RESULTARA en la muerte o en lesiones graves.

**ADVERTENCIA:** Indica una situación potencialmente riesgosa la cual, si no se evita, PODRIA resultar en la muerte o en lesiones graves.

**PRECAUCION:** Indica una situación potencialmente riesgosa la cual, si no se evita PUEDE resultar en lesiones menores o moderadas.



El símbolo indicado a la izquierda de este párrafo es el “Símbolo de Alerta de Seguridad”. Este símbolo se usa para alertarlo acerca de artículos o procedimientos que podrían ser peligrosos para usted u otras personas usando este equipo.



**PROVEA SIEMPRE UNA COPIA DE ESTE MANUAL A CUALQUIER PERSONA QUE USE ESTE EQUIPO. LEA TODAS LAS INSTRUCCIONES ANTES DE OPERAR ESTA LAVADORA A PRESION, OBSERVANDO EN PARTICULAR LAS “ADVERTENCIAS DE SEGURIDAD” PARA EVITAR LA POSIBILIDAD DE LESIONES PERSONALES AL OPERADOR.**

Escriba el número de serie de su unidad en el espacio provisto abajo, una vez que la unidad haya sido desempacada.

**NUMERO DE SERIE** \_\_\_\_\_

Inspeccione por daño el contenido de la caja. Si algo parece dañado, NO LA DEVUELVA AL LUGAR DE COMPRA. Llame a su representante de servicio al cliente de al 800-228-6172.

Por favor tenga disponible la información siguiente para todas las llamadas de servicio:

1. Número de modelo
2. Número de serie
3. Fecha y lugar de compra



## ADVERTENCIAS IMPORTANTES DE SEGURIDAD



### PRECAUCIONES PARA FUEGO Y VENTILACIÓN:

1. Esta unidad fue diseñado para use sólo en aire libre. NUNCA opere esta unidad en una area cerrada. SIEMPRE se seguro que hay aire (oxígeno) suficiente para combustión igual como ventilación para impedir la presencia de gases de monóxido de carbono ponzoñoso. Ten cuidado de areas con ventilación mal ventilador de exhosto se puede causar combustión insuficiente o recalentarse de motor.
2. NUNCA opere esta unidad en la presencia de vapores flamable o polvo combustible o otras materiales combustibles. (Una chispa se puede causar un explosión o fuego.) Cuando mantenimiendo esta maquina ten cuidado para deshacerse correcto de todas materiales flamables. NUNCA aplicar liquides flamables.
3. EL TANQUE DE COMBUSTIBLE DEL MOTOR:
  - a. **NUNCA FUMAR CUANDO LLENE EL TANQUE DE COMBUSTIBLE.**
  - b. NUNCA llene el tanque de combustible del motor mientras la unidad esta funcionado o esta caliente. Permita que la unidad y el motor se enfrien durante dos minutos antes de cargar combustible.
  - c. No cargar adentro o en areas con ventilación mal.
  - d. SIEMPRE cargar muy despacio para evitar la posibilidad de combustible derrame que se puede causar un riesgo de fuego.
4. NUNCA opere esta unidad si hay derrame de gasolina. Limpie la unidad y mueva la unidad afuera de derrame. Evite tener o empezar algo ignición hasta gasolina ha evaporado.
5. NUNCA almacene unidad cerea de llama abierta o algo equipo como una estufa, horno, calentador de agua, etc. que use un piloto o unos apratos que se empezado una chispa.

### IMPORTANTE

El siguiente sea obligado de la ley del estado de California. Sección 4442 del código de recursos publicados de California. Otros estados se puede tener leyes similiares. Leyes federales se aplique en tierras federales.

**Un arrestador de chispa puede agregar a mufle de este motor si usará alguna tierra que tenga una cubierta de broza, bosque, o césped. El arrestador tiene que mantener en orden efectivo de trabajando por el operador.**

Vea su representante del motor o equipo para opciones de mufle de arrestador de chispa.

# ⚠️ ADVERTENCIAS IMPORTANTES DE SEGURIDAD ⚠️



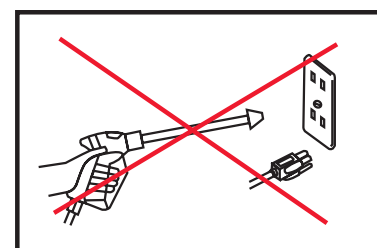
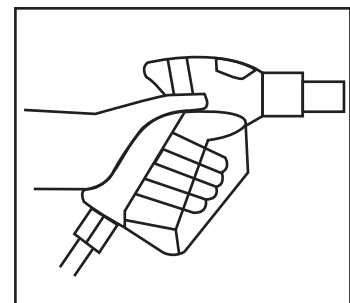
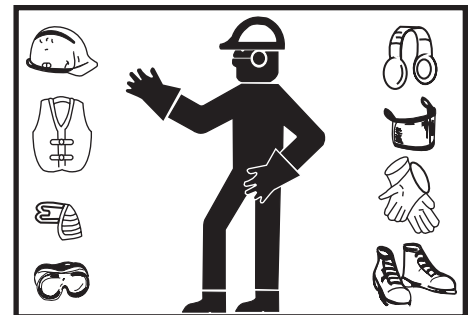
## PRECAUCIONES PARA ROCIADO:



¡PELIGRO!

**RIESGO DE INYECCION O DE LESIONES GRAVES DE CORTE  
MANTENGASE ALEJADO DE LA BOQUILLA  
NO DIRIJA LA CORRIENTE DE DESCARGA A LAS PERSONAS NI  
A LOS ANIMALES DOMESTICOS  
DEBEN OBSERVARSE SIEMPRE PRECAUCIONES BASICAS,  
INCLUYENDO LAS SIGUIENTES:**

1. MANTENGASE ALEJADO DEL ROCIADO
  - a. Los fluidos pueden penetrar la piel, causando lesiones graves, a causa de la alta presión y velocidad del rociado.
  - b. Nunca apunte la pistola hacia usted ni hacia otra persona. Nunca coloque su mano, dedos o cuerpo directamente sobre la boquilla de rociado. Mantenga siempre el área de operación despejada de todas las personas. Ejercer una precaución extrema al operar cerca de niños.
  - c. REQUIERA CUIDADO MEDICO DE EMERGENCIA si ocurriera un accidente y el rocío parece haber penetrado la piel. NO LO TRATE COMO UN CORTE SIMPLE. Si usted está usando agentes limpiadores, esté preparado a informar a su médico exactamente de qué clase.
2. SIEMPRE use antiparras protectoras al operar la unidad, para proteger los ojos contra desechos despedidos y detergentes. Otros equipos protectores tales como trajes de goma, guantes y respiradores son recomendables, especialmente al usar detergentes de limpieza. Ejercer una precaución extrema al operar cerca de niños.
3. Esté alerta - observe lo que hace. No opere la unidad cuando esté fatigado o bajo la influencia de alcohol o drogas.
4. NUNCA accione el gatillo a menos que la unidad esté firmemente sujeta. El empuje del agua recorriendo la boquilla puede ser lo suficientemente poderoso como para causar que el operador pierda el equilibrio si no está preparado. NO SE INCLINE ni se pare sobre un apoyo inestable. Las superficies húmedas pueden ser resbalosas, use equipo protector de calzado y manténgase bien parado y en equilibrio en todo momento. NUNCA accione el gatillo de la pistola mientras esté en una escalera o en el techo.
5. NO dirija el rociado hacia materiales frágiles tales como vidrio. El astillado podría resultar en lesiones graves.
6. SIEMPRE sujete firmemente el conjunto de pistola/vara al arrancar y operar la unidad. El no hacerlo puede causar que la vara caiga y azote peligrosamente. NUNCA opere la pistola con el gatillo conectado en la posición abierta. La pistola a gatillo debería estar bien asegurado cuando no se usa, para evitar una descarga accidental.
7. ¡Nunca aplique en o dentro instalaciones electricales de ninguno tipo! Este incluye toma de corriente de electrica, bombillas, cajas fusibles, transformadores, la unidad, etc. Choque serio de eléctrico podría resultar.
8. Aun después que apague la unidad, hay agua a alta presión en la bomba, manguera y pistola hasta que la elimine accionando el gatillo. SIEMPRE apague la unidad y accione el gatillo para liberar la presión interna, antes de sacar la boquilla de rociado o reparar la unidad.





## ADVERTENCIAS IMPORTANTES DE SEGURIDAD



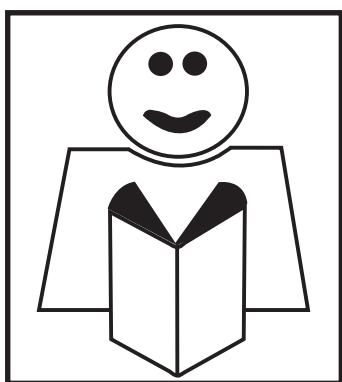
### PRECAUCIONES PARA LIMPIEZA CON DETERGENTES:

1. NO use solventes ni detergentes altamente corrosivos, ni limpiadores de tipo ácido con esta lavadora a presión. Use detergentes Mi-T-M® solamente.
2. ¡CONOZCA SUS DETERGENTES! En el caso de una emergencia, esté preparado a informar al médico exactamente lo que usted está usando. Lea La Hoja de Datos de Seguridad del Material (MSDS) provista con su detergente Mi-T-M® y todas las etiquetas de los detergentes. Observe todas las instrucciones apropiadas acerca de la preparación, uso, seguridad y transporte. Mantenga TODOS los detergentes fuera del alcance de los niños.
3. NO use esta lavadora a presión para dispensar detergentes riesgosos.
4. NO altere de ninguna manera no recomendada en este manual la característica de inyección de detergente. Para las reparaciones necesarias use piezas genuinas de repuesto Mi-T-M® solamente.



### PRECAUCIONES MISCELANEAS DE SEGURIDAD:

1. ¡NUNCA PERMITA QUE LOS NIÑOS O ADOLESCENTES OPEREN ESTA UNIDAD!
2. Lea y observe todas las instrucciones de manejo, funcionamiento, mantenimiento y seguridad incluidas en este manual y facilite esta información a TODAS LAS PERSONAS que operarán esta unidad.
3. Esta lavadora a presión está provista de un Interruptor de Circuito de Falla a Tierra (GFCI) integrado en el enchufe del cordón de suministro eléctrico. Use sólo piezas idénticas de repuesto que incluyan protección de GFCI, si fuera necesario reemplazar el cordón.
4. La unidad debe estar suficientemente caliente como para asegurar que no haya formación de hielo en la bomba, a temperaturas de congelación. NO arranque esta unidad si ha sido transportada en un vehículo abierto o sin suficiente calefacción, sin permitir primero que la bomba se descongele.
5. Deben observarse los reglamentos locales de su compañía de agua, al conectar la entrada de agua a las cañerías maestras de agua. En algunas áreas la unidad no debe conectarse directamente al suministro público de agua potable. Esto es para asegurar que no haya realimentación de los detergentes al suministro de agua. (Se permite la conexión directa si se instala un supresor del flujo de retroceso.)
6. Las mangueras de alta presión deberían inspeccionarse diariamente por señas de desgaste. Si existe evidencia de falla, reemplace rápidamente todas las mangueras sospechosas para evitar la posibilidad de lesiones ocasionadas por rociado a alta presión. Si una manguera o adaptador está perdiendo, NUNCA coloque su mano directamente sobre la pérdida.
7. NO opere la unidad si ve pérdidas de aceite de la bomba o agua de la máquina. NO reanude la operación hasta que la unidad haya sido inspeccionada y reparada por una persona calificada de servicio.
8. No opere la unidad sin todas las cubiertas protectoras en su sitio.
9. NO deje desatendida la unidad presurizada. Apague la unidad y descargue la presión interna antes de alejarse.
10. NO deje sin atención la unidad presurizada. Apague la unidad y descargue la presión atrapada antes de alejarse.
11. NO mueva la unidad tirando de la manguera.





## **ADVERTENCIAS IMPORTANTES DE SEGURIDAD**



### **PRECAUCIONES DE AJUSTE:**

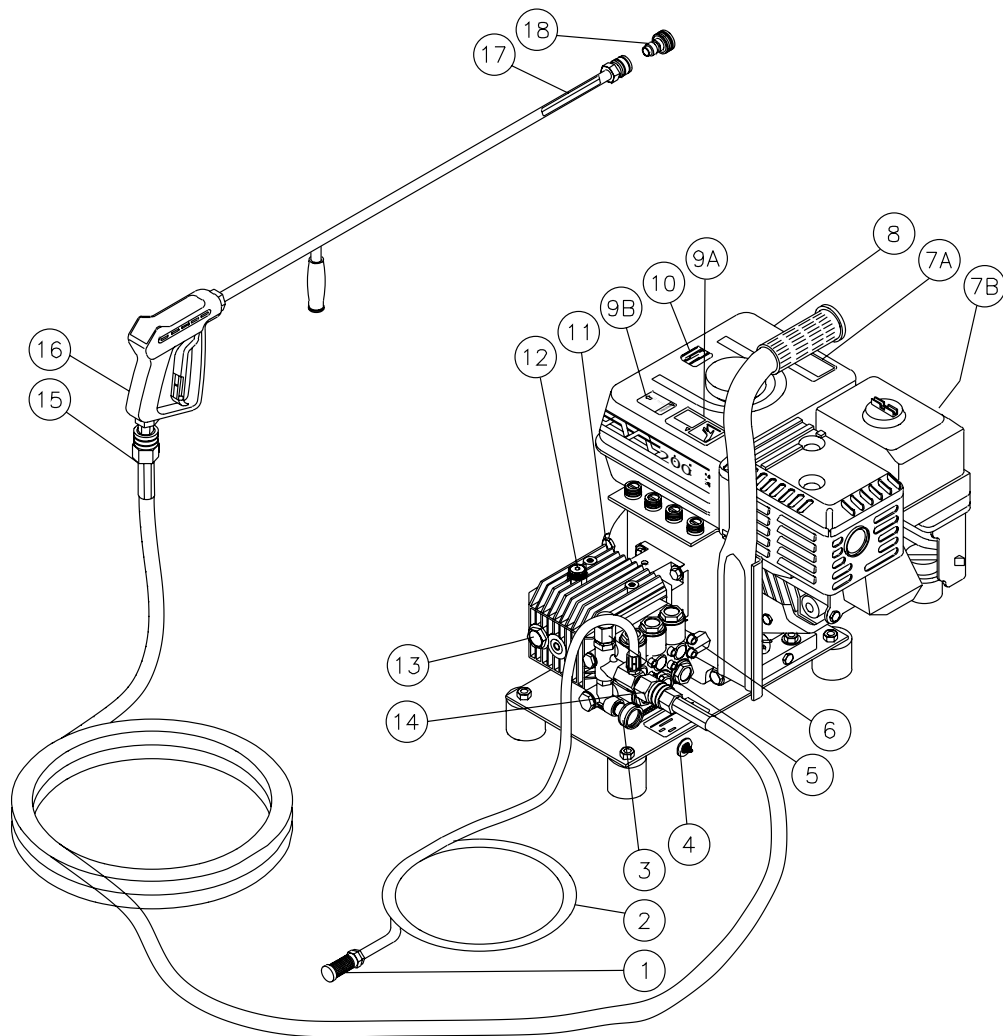
1. NUNCA altere ni modifique el equipo, asegúrese que todos los artículos accesorios y los componentes del sistema que se usan resistirán la presión desarrollada. Use SOLO piezas genuinas Mi-T-M® para reparar su lavadora a presión. El no hacerlo puede causar condiciones operativas riesgosas y cancelará la garantía.
2. NUNCA efectúe ajustes a la máquina mientras esté conectada al motor, sin sacar primero el cable de encendido de la bujía. El girar la máquina a mano durante el ajuste o la limpieza podría arrancar el motor y la máquina, lo que causará lesiones graves al operador.
3. Sepa cómo detener la lavadora a presión y purgar las presiones rápidamente. Está completamente familiarizado con los controles.
4. Apague la unidad, desconéctela de la red eléctrica, elimine la presión de agua, y permita que la unidad se enfríe, antes de repararla. Preste servicio en un área limpia, seca y plana. Para evitar que la unidad se mueva, bloquee las ruedas.
5. Observe las instrucciones de mantenimiento especificadas en este manual.



**¡GUARDE ESTAS INSTRUCCIONES!**



## SERIE DE CD- LLEVA POR MANO



CDGAS HANDCARRY-011400-RD

### LISTA DE LOS ELEMENTOS Y COMPONENTES

- |  |  |
|--|--|
| 1. Colador de detergente                     | 10. Calcomanía: Precaucion- Combustible de motor |
| 2. Manguera de detergente                    | 11. Bomba  |
| 3. Colador de entrada de agua                | 12. Varilla del aceite                           |
| 4. Entrada de agua                           | 13. Vidrio de vista del aceite                   |
| 5. Perilla ajustable de descargador          | 14. Salida de agua                               |
| 6. Valvula de descarga caliente              | 15. Manguera de emisión de presión alta          |
| 7A. Calcomanía: Declaraciones de Advertencia | 16. Asamblea de pistola/bastón                   |
| 7B. Calcomanía: Declaraciones de Precaución  | 17. Calcomanía: Riesgo de inyección              |
| 8. Motor                                     | 18. Boquilla de conectado rápido                 |
| 9A. Calcomanía: Silenciador Caliente         |  |
| 9B. Calcomanía: Precaucion- Lleva por mano   |  |

**CALCOMANÍAS DE SEGURIDAD Y UBICACIÓN  
PARA EL SERIE DE CD- LLEVA POR MANO  
REFIERE A PÁGINA 30 PARA UBICACIÓN**

Referencia No. 10: Calcomanía-Combustible del motor (Pieza No. 34-0599)

<b>CAUTION/PRECAUCION</b>	
<b>RISK OF FIRE</b> Do not add fuel when product is operating. Allow engine to cool for two (2) minutes before refueling.	<b>RIESGO DE FUEJE</b> No ponga combustible cuando el producto este en operacion. Permita que el motor se enfrie por 2 minutos antes de reablastecer de combustible.
<small>34-0599-E/S-030600-ENG</small>	

Referencia No. 17: Calcomanía-Riesgo de inyección. (Pieza No.34-1253)

<b>WARNING</b>	<b>ADVERTENCIA</b>
 <b>RISK OF INJECTION OR SEVERE INJURY.</b> Never put your hand, fingers or body directly over the spray nozzle.	<b>RIESGO DE INYECCION O LISION SEVERA</b> Nunca coloque la mano, los dedos o el cuerpo directamente sobre la boquilla de rocío.
<small>34-1253-030801-ENG</small>	

Referencia No. 9A: Calcomanía-Silenciador caliente (Pieza No.34-0598)

Referencia No. 9B Calcomanía-Precaución-Lleva por mano (Pieza No.34-0662) (SÓLO EN INGLES EN LAS MAQUINAS)

<b>WARNING</b>	<b>ADVERTENCIA</b>
<b>RISK OF BURNS</b> MUFFLER AND ADJACENT AREAS MAY EXCEED 150°F.	 <b>RIESGO DE QUEMAR</b> EL AMORTIGUADOR Y LAS AREAS ADYACENTES PUEDEN TENER TEMPERATURAS POR ARRIBA DE 150°F.
<small>34-0598-010699-E/S-ENG</small>	

<b>ADVERTENCIA</b>
<b>SUPERFICIES CALIENTES.</b> EL AMORTIGUADOR Y AREAS ALREDEDORES PUEDEN TENER TEMPERATURAS POR ARRIBA DE 150F.  LLEVE LA UNIDAD DE ESTE LADO SOLO.

<small>34-0662S-042400-ENG</small>

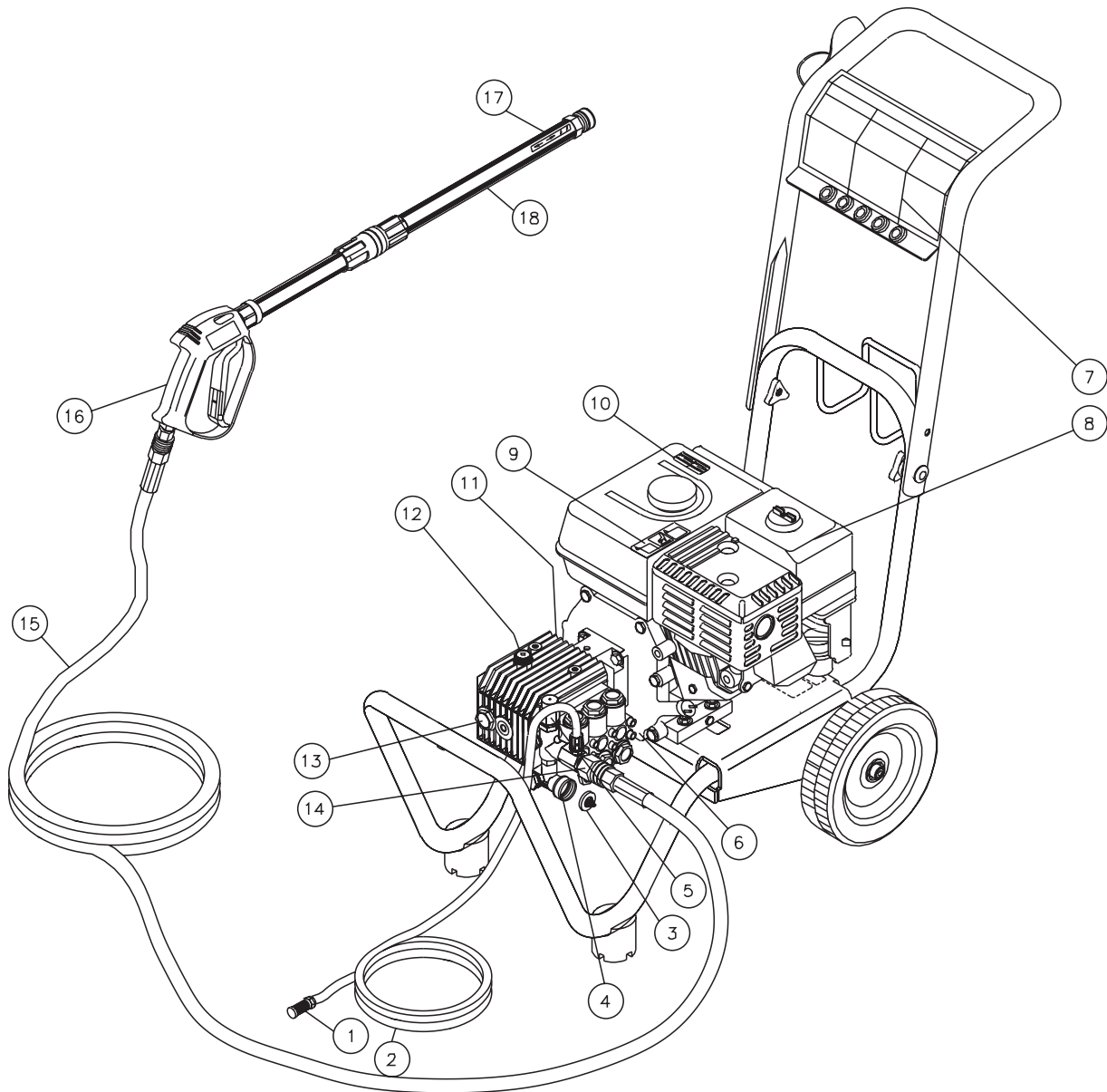
Referencia No. 7A Calcomanía-Declaraciones de Advertencia (Part #34-0582)

<b>ADVERTENCIA</b>
<ul style="list-style-type: none"> <li>•Riesgo de inyeccion o lision severa: Mantengase alejado de la boquilla. No rocíe a personas nadas.</li> <li>•Riesgo de asfixia: Unicamente para uso en el exterior.</li> <li>•Riesgo de fuego: No fume mientras este reabaste cimiento de combustible. Permita que el motor se enfrie dos otros minutos antes del reabastecimiento.</li> <li>•Riesgo de electrocucion: No directa el chorro hacia conexiones, electricas tomas de corriente o lineas de alimentacion de corriente.</li> <li>•Riesgo de explosion: No rocíe liquidos inflammbles.</li> <li>•Riesgo de lesión: Use unicamente equipo con clasificacion adeduada.</li> </ul>
<small>34-0582-022599-ENG.D1</small>

Referencia No. 7B: Calcomanía-Declaraciones de Precaución (Part #34-0583)

<b>PRECAUCION</b>
<ul style="list-style-type: none"> <li>•Para reducir el riesgo de que ocurran lesion: Lea y entienda el manual de operacion y todas las instrucciones ante de usar el producto.</li> <li>•Permanizca a lerta: Sostenga la pistola varilla firmermente con ambas mano para evitar golpes de retroceso peligrosas. Use siempre protección ocular.</li> <li>•No se extienda demasiado o se pare en un apoyo inestable. Mantenga una buena posición y balanza todo el tiempo.</li> <li>•Antes de comenzar, abra siempre el suministro del agua a la bomba.</li> <li>•Proteja la bomba de la congelación.</li> <li>•Colque el suguro del gatillo en la apagado cuando no este usando el producto.</li> </ul>
<small>34-0583-030600-ENG</small>

## SERIE DE CD-CART



CDGAS CART2-011400-EDW

### **LISTA DE LOS ELEMENTOS Y COMPONENTES**

- |  |  |
|--|--|
| 1. Colador de detergente                               | 10. Calcomanía: Precaución- Combustible de motor |
| 2. Manguera de detergente                              | 11. Bomba  |
| 3. Colador de entrada de agua                          | 12. Varilla del aceite                           |
| 4. Entrada de agua                                     | 13. Vidrio de vista del aceite                   |
| 5. Perilla ajustable de descargador                    | 14. Salida de agua                               |
| 6. Valvula de descarga caliente                        | 15. Manguera de emisión de presión alta          |
| 7. Calcomanía: Declaraciones de Advertencia/Precaución | 16. Asamblea de pistola                          |
| 8. Motor   | 17. Calcomanía: Riesgo de inyección              |
| 9. Calcomanía: Silenciador Caliente                    | 18. Lanza  |



**CALCOMANIAS DE SEGURIDAD  
PARA SERIE DE CD-CART  
REFIERE A PÁGINA 32 PARA UBICACIÓN**

Referencia No. 10: Calcomanía-Combustible del motor  
(Pieza No. 34-0599)

<b>⚠ CAUTION/PRECAUCION</b>	
<b>RISK OF FIRE</b> Do not add fuel when product is operating. Allow engine to cool for two (2) minutes before refueling.	<b>RIESGO DE FUEGE</b> No ponga combustible cuando el producto este en operacion. Permita que el motor se enfrie por 2 minutos antes de reabastecer de combustible.
<small>34-0599-E/S-1030600-ENG</small>	

Referencia No. 17: Calcomanía-Riesgo de inyección.  
(Pieza No.34-1253)

<b>⚠ WARNING</b>	<b>⚠ ADVERTENCIA</b>
 <b>RISK OF INJECTION OR SEVERE INJURY.</b> Never put your hand, fingers or body directly over the spray nozzle.	<b>RIESGO DE INYECCION O LISION SEVERA</b> Nunca coloque la mano, los dedos o el cuerpo directamente sobre la boquilla de rocío.
<small>34-1253-030801-ENG</small>	

Referencia No. 9: Calcomanía-Silenciador caliente (Pieza No.34-0598)

<b>⚠ WARNING</b>	<b>⚠ ADVERTENCIA</b>
<b>RISK OF BURNS</b> <b>MUFFLER AND</b> <b>ADJACENT AREAS</b> <b>MAY EXCEED 150°F.</b>	 <b>RIESGO DE QUEMAR</b> <b>EL AMORTIGUADOR Y LAS</b> <b>AREAS ADYACENTES PUEDEN</b> <b>TENER TEMPERATURAS POR</b> <b>ARRIBA DE 150°F.</b>
<small>34-0598-010699-E/S-ENG.</small>	

Referencia No. 7: Calcomanía-Declaraciones de Precaución/Advertencia (Pieza No. 34-0981)

<b>⚠ WARNING/ADVERTENCIA</b>	<b>⚠ CAUTION/PRECAUCION</b>	<b>OPERATION/OPERACION</b>
<ul style="list-style-type: none"> <li>• RISK OF INJECTION OR SEVERE INJURY. KEEP CLEAR OF NOZZLE. DO NOT DIRECT SPRAY TOWARD ANY PERSON OR SELF.</li> <li>• RISK OF ASPHYXIATION. OUTDOOR USE ONLY REQUIRED.</li> <li>• RISK OF FIRE. DO NOT SMOKE WHILE REFUELING. ALLOW TO COOL TWO TO THREE MINUTES BEFORE REFUELING. DO NOT OPERATE WHILE REFUELING.</li> <li>• RISK OF ELECTROCUTION. DO NOT DIRECT SPRAY TOWARD ANY ELECTRICAL CONNECTIONS, OUTLETS, OR POWER LINES.</li> <li>• RISK OF EXPLOSION. DO NOT SPRAY FLAMMABLE LIQUIDS.</li> </ul>	<ul style="list-style-type: none"> <li>• TO REDUCE RISK OF INJURY: READ AND UNDERSTAND THE OPERATION MANUAL AND ALL INSTRUCTIONS BEFORE USING.</li> <li>• STAY ALERT: HOLD ONTO GUN/WAND FIRMLY WITH BOTH HANDS TO AVOID DANGEROUS KICKBACKS.</li> <li>• ALWAYS WEAR EYE PROTECTION.</li> <li>• DO NOT OVERREACH OR STAND ON UNSTABLE SUPPORT. KEEP GOOD FOOTING AND BALANCE AT ALL TIMES.</li> <li>• ALWAYS TURN ON WATER SUPPLY TO PUMP BEFORE STARTING.</li> <li>• PROTECT PUMP FROM FREEZING.</li> <li>• ENGAGE TRIGGER SAFETY LOCK-OFF WHEN NOT IN USE.</li> </ul>	<ul style="list-style-type: none"> <li>• AFTER ENSURING ALL CONNECTIONS ARE SECURE, OPEN INLET WATER SUPPLY COMPLETELY. DO NOT OPERATE WITHOUT WATER. DO NOT USE WATER THAT IS OVER 125°F. WITH GUN LOCKED, REMOVE NOZZLE. POINT GUN IN A SAFE DIRECTION. BRACE WAND SECURELY TO AVOID RECOIL. SQUEEZE TRIGGER OPEN. STEADY THE UNIT AND START BY PULLING ON THE STARTER ROPE. AFTER ENGINE IS RUNNING, LOCK GUN AND INSERT DESIRED NOZZLE. POINT GUN IN A SAFE DIRECTION. UNLOCK GUN AND SQUEEZE TRIGGER TO SPRAY AND RELEASE THE TRIGGER TO STOP SPRAY. AFTER STOPPING THE ENGINE, ALWAYS TURN OFF WATER SUPPLY AND SQUEEZE TRIGGER TO RELEASE TRAPPED PRESSURE.</li> </ul>
<ul style="list-style-type: none"> <li>• RIESGO DE INYECCION O LESION SEVERA. MANTENGA LA BOQUILLA DESPEJADA. NO DIRIJA EL CHORRO HACIA PERSONA ALUNA O HACIA USTED.</li> <li>• RIESGO DE ASFIXIA: UNICAMENTE PARA USO EN EL EXTERIOR.</li> <li>• RIESGO DE FUEGO: NO FUME MIENTRAS ESTE REABASTECIMIENTO DE COMBUSTIBLE. PERMITA QUE EL MOTOR SE ENFRIE DOS O TRES MINUTOS ANTES DEL REABASTECIMIENTO. NO OPERE EL PRODUCTOR DURANTE EL REABASTECIMIENTO.</li> <li>• RIESGO DE ELECTROCUCION: NO DIRECTA EL CHORRO HACIA CONEXIONES, ELECTRICAS, TOMAS DE CORRIENTE O LINEAS DE ALIMENTACION DE CORRIENTE.</li> <li>• RIESGO DE EXPLOSION: NO ROCIE LIQUIDOS INFLAMMABLES.</li> <li>• RIESGO DE LESION: USE UNICAMENTE EQUIP CON CLASIFICACION ADECUADA.</li> </ul>	<ul style="list-style-type: none"> <li>• PARA REDUCIR EL RIESGO DE QUE OCURRAN LESIONES: LEA Y ENTIENDA EL MANUAL DE OPERACION Y TODAS LAS INSTRUCCIONES ANTE DE USAR EL PRODUCTO.</li> <li>• PERMANIZCA ALERTA: SOSTENGA LA PISTOLA VARILLA FIRMENTEMENTE CON AMBAS MANO PARA EVITAR GOLPES DE RETROCESO PELIGROSOS.</li> <li>• USE SIEMPRE PROTECCION OCULAR.</li> <li>• NO SE EXTIENDA DEMASIADO O SE PARE EN UN APOYO INESTABLE. MANTENGA UNA BUENA POSICION Y BALANCE TODO EL TIEMPO.</li> <li>• ANTES DE COMENZAR. ABRA SIENPRE EL SUMINISTRO DE AGUA A LA BOMBA.</li> <li>• PROTEJA LA OMBRA DE LA CONGELACION.</li> <li>• COLOQUE EL SUGURO DEL GATILLO EN LA POSICION APAGADO CUANDO NO ESTE USANDO EL PRODUCTO.</li> </ul>	<ul style="list-style-type: none"> <li>• DISPUES DE ASEGURARSE QUE TODAS LAS CONEXIONES ESTAN SEGUIRSE. ABRA LA ENTRADA DEL SUMINISTRO DE AGUA COMPLETAMENT NO SE OPERE SIN AGUA. NO SE USE CON AGUA CON TEMPERATURAS DE MAS DE 125°F.</li> <li>• CON LA PISTOLA ASEGURADA. REMUEVA LA BOQUILLA APUNTANDO LA PISTOLA HACIA UNA DIRECCION SEGURA. REFURESE LA VARA PARA EVITAR QUE RETROCEDA. APRIETE EL GATILLO PARA ABRIRLO. MANTEGA LA UNIDAD QUIETA. Y COMIENZE HALANDO FIRMENTEMENTE EN LA CUERDA DE INICIAR.</li> <li>• DESPUES DE QUE EL MOTOR ESTE TRABAJANDO. ADJUSTE LA BOQUILLA A LA POSICION DESEADA. APRIETE EL GATILLO PARA ROCIARY SUELTELO PARA DETENER EL ROCIADO.</li> <li>• DESPUES DE DETENER EL MOTOR. CIERRE DIEMPRE EL SUMINISTRO DEL AGUO AND APRIETE EL GATILLO PARA LIBERAR LA PRESION ATRAPADA.</li> </ul>
<small>34-0981-063099-E/S-ENG.</small>		

## INSTALACION Y PREPARACION



### VESTIMENTA:

Una vestimenta apropiada es esencial para su seguridad. Se recomienda que utilice cualquier medio necesario para proteger los ojos, los oídos y la piel. Al usar agentes limpiadores detergentes con esta lavadora, puede requerirse una vestimenta adicional de seguridad (tal como una máscara respiratoria).



### PELIGRO

#### **RIESGO DE EXPLOSION O INCENDIO!**

-NO COLOQUE LA UNIDAD EN UN AREA DONDE PUEDAN ESTAR PRESENTES VAPORES INFLAMABLES. UNA CHISPA PODRIA CAUSAR UNA EXPLOSION O UN INCENDIO!

-NO HAGA ARRANCAR LA BATERIA A MENOS QUE LAS DOS BATERIAS SON DE VOLTAJE Y AMPERIO IGUALES.

-NO FUME O PERMITE QUE CHISPAS O LLAMAS CERCA DE LA BATERIA.

#### **RIESGO DE EXPLOSION O INCENDIO!**

NO COLOQUE LA UNIDAD EN UN AREA DONDE PUEDAN ESTAR PRESENTES VAPORES INFLAMABLES. ¡UNA CHISPA PODRIA CAUSAR UNA EXPLOSION O UN INCENDIO!

**¡RIESGO QUE LA UNIDAD REVIENTE!  
NO ALMACENE NI OPERE LA UNIDAD EN UN AMBIENTE HELADO.**



### ADVERTENCIA

#### **¡RIESGO DE ASFIXIA!**

NO OPERE EN UN AREA CERRADA. USE ESTE PRODUCTO EN AREAS BIEN VENTILADAS SOLAMENTE! EL ESCAPE DEL MOTOR CONTIENE MONOXIDO DE CARBONO, UN GAS VENENOSO, INODORO E INVISIBLE. EL RESPIRAR ESTE GAS PUEDE CAUSAR LESIONES GRAVES, ENFERMEDAD Y POSIBLEMENTE LA MUERTE.



### PELIGRO

**¡RIESGO DE INCENDIO! ¡NO FUME AL CARGAR COMBUSTIBLE! MIENTRAS LA UNIDAD ESTA FUNCIONANDO O ESTA CALIENTE NO LLENE EL TANQUE DE COMBUSTIBLE. PERMITA QUE LA UNIDAD Y EL MOTOR SE ENFRIEN DURANTE DOS MINUTOS ANTES DE CARGAR COMBUSTIBLE.**

**NO LLENE EL TANQUE DE COMBUSTIBLE HASTA QUE SE DERRAME. PERMITA 1/4" DE ESPACIO DE TANQUE APROXIMADAMENTE PARA LA EXPANSION DEL COMBUSTIBLE.**



### ADVERTENCIA

**RIESGO DE EXPLOSION O INCENDIO! MIENTRAS LA UNIDAD ESTA FUNCIONANDO O ESTA CALIENTE, ALMACENE SIEMPRE EL COMBUSTIBLE ALEJADO DE LA LAVADORA.**

### PREPARACION:

1. Al operar esta unidad, debería colocarse solamente sobre una superficie nivelada para asegurar una lubricación apropiada del motor y de la bomba de agua.
2. NO coloque la unidad en un área:
  - a. con ventilación insuficiente.
  - b. donde haya evidencia de pérdidas de aceite o combustible.
  - c. donde puedan estar presentes vapores de gas inflamable.
3. Asegúrese de inmovilizar las ruedas para evitar que la unidad se mueva durante el funcionamiento.
4. Si cualquier parte de la unidad se congela, esto puede causar una acumulación excesiva de presión en la misma lo que podría causar que reviente, resultando en posibles lesiones al operador o a los observadores.
5. Antes de la usa primera, asegúrese que varilla del aceite es insertado dentro de la bomba. Porque de requirements varias de mandando la bomba podría mandar con una tapón de viaje del aceite en contra de varilla del aceite de la bomba. Si su bomba ha mandado con tapón de viaje del aceite, necesitaría removerlo y repace el tapón con varilla del aceite que provido con la unidad.
6. Despues de instalación correcto, revise mirilla del aceite en manivela de la bomba. Asegúrese el nivel del aceite está eh el centro de la mirilla antes de cada usa. Si parece bajo el nivel, llene el tanque con aceite para bomba Mi-T-M- #AW-4085-0016. !NO SOBRELLENAR!

### TANQUE DE COMBUSTIBLE DEL MOTOR:

1. Repase las "Precauciones contra incendio y de ventilación" pág. 26, antes de cargar combustible.
2. Ubique las Calcomanías de Seguridad en su unidad y preste atención a sus advertencias.
3. Es recomendado para usar comestible de octano de un minimo de 86 con esta unidad. No mezcle el aceite con la gasolina.
4. Compre el comestible en cantidades que podría usar en 30 días. Es recomendado usar gasolina limpiada, fresa, y sin plomo. Podría usar gasolina con plomo si no tenga gasolina sinplomo. No use gasolina que tiene metanol o alcohol.
5. Revise el nivel de aceite del motor antes de arrancar el motor. (Vea el manual del motor.)
6. Llene el tanque según las instrucciones de la manual del motor.
7. De vaz en cuando sea necesario que hacer ajustamentos al carburador y choke para el motor. Refiere a su manual del motor adjunto de esta unidad para procedimientos correctos de ajustamentos.
8. **Repase el manual del motor adjunto de esta lavadora a presión para los procedimientos correctos de arranque y mantenimiento del motor.**

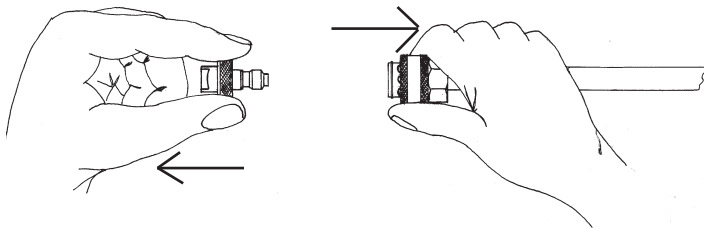
## INSTALACION Y PREPARACION

**BOQUILLAS DE CONEXION RAPIDA:** Pueden conectarse rápidamente varias boquillas al extremo de la vara para cambiar el patrón de rociado o para usar la característica de detergente. Asegúrese que la conexión esté seguramente calzada, al usar los conectores rápidos (C.R.). En caso contrario el agua a alta presión puede despedir la boquilla de la vara, causando lesiones graves o daños importantes. Refiérase al número estampado en la boquilla, para determinar el patrón de abanico del rociado. Los primeros dos dígitos indican el patrón de abanico del rociado en grados, por ej.: 00=0°, 15=15°, 25=25°, 65=detergente/baja presión.

1. **Boquilla de 0° (ROJA):** Esta es una boquilla de disparo que emite una corriente muy concentrada de agua. Debería ejercerse cuidado para evitar rayar la madera o dañar superficie frágiles. Usos: eliminación de malas hierbas de las grietas de las aceras, manchas resistentes del concreto, mampostería, aluminio y acero, lodo endurecido en equipos, y para limpiar el fondo de las cortadoras de césped.
2. **Boquilla de 15° (AMARILLA):** Esta es una boquilla biselada. El rociado debería dirigirse a un ángulo de 45° sobre la superficie y usarse como un raspador para sacar pintura, grasa y suciedad. Usos: preparación de superficies (eliminación de manchas de moho y escamas de pintura).
3. **Boquilla de 25° (VERDE):** Esta es una boquilla de limpieza por descarga de agua. Este patrón es más apropiado para limpiar suciedad, lodo, y hollín. Usos: Barrido en mojado de senderos, cordones de las aceras y entradas de garages, limpieza de suelos de los establos, lavado de los fondos de las piscinas de natación, desengrasado de motores.
4. **Boquilla de 40° (VERDE):** Esta es una boquilla de lavado. Este patrón de rociado amplio dispersa la presión de agua sobre un área grande y se recomienda para un lavado moderado. Usos: Lavado de recubrimientos de aluminio de paredes limpieza de ventanas, lavado de vehiculos, rociado de aceras, entradas de garages, y patios, limpieza de techos.
5. **Boquilla de 65° (NEGRA):** Esta es una boquilla de aplicación de detergente, de baja presión. Este patrón de rociado amplio distribuye la solución sobre áreas amplias a baja presión. Usos: Aplicación de detergente, como rociado o enjuague.

### CONEXION DE LA BOQUILLA:

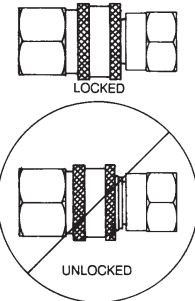
1. Asegúrese que la pistola a gatillo esté asegurada en la posición "OFF" (DESCONECTADO). Vea la ADVERTENCIA, a la derecha.
2. Retraiga el anillo de cierre sobre el adaptador de conexión rápida para sacar la boquilla.



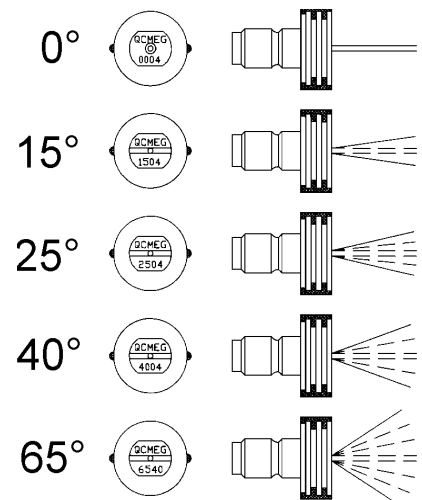
### ADVERTENCIA

**¡RIESGO DE INYECCION CAUSANTE DE LESIONES GRAVES!**  
**¡NUNCAMIRE DIRECTAMENTE AL ORIFICIO DE LA BOQUILLA A MENOS QUE ESTE DESCONECTADO DEL CONJUNTO DE LA PISTOLA/VARA!**

### CONEXION DE LAS BOQUILLAS DE CONEXION RAPIDA

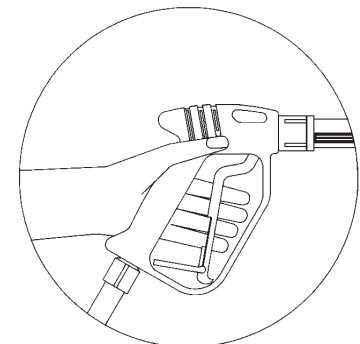


### BOQUILLAS DE CONEXION RAPIDA (C.R.)



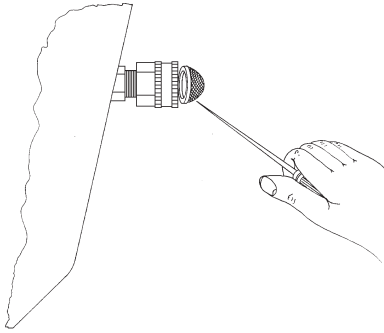
### ADVERTENCIA

**¡RIESGO DE LESIONES GRAVES!**  
**¡CUANDO NO SE USA, LA PISTOLA A GATILLO DEBERIA ESTAR SIEMPRE ASEGURADO EN LA POSICION DESCONECTADO!**



## INSTALACION Y PREPARACION

### REVISE EL COLADOR DE ENTRADA DE AGUA



### SUMINISTRO DE AGUA:

1. Seleccione una manguera de suministro de agua que sea de calidad de manguera de jardín que mida 3/4" de DI por lo menos y que no sea más larga que 50 pies.
2. Inspeccione el tamiz de entrada de agua para asegurar que esté limpio y libre de obstrucciones. La limpieza periódica del tamiz de agua ayudará a prevenir problemas con la bomba. El tamiz restringe el flujo apropiado de agua a la bomba, a medida que se obstruye. Esto puede resultar en cavitaciones que causarán la falla prematura de los empaques de las bombas. Retire el tamiz de la unidad, usando un destornillador. Use un destornillador para remover la pantalla; limpie o reemplace con Mi-T-M # 19-0001 si es necesario.
3. Conecte la mangueras:
  - a. Conecte un extremo de la manguera de suministro de agua a la entrada de agua de la unidad.
  - b. Conecte el otro extremo de la manguera a su suministro presurizado de agua.

**NOTA:** No use un suministro de agua de no presión con esta unidad (por ejemplo de una languna o un pozo).

- c. Efectúe la conexión de la manguera de descarga de alta presión a la salida de agua de la unidad.
4. Siga los requerimientos de agua entrante listados abajo:
    - a. La presión de agua debe estar a un mínimo de 20 libras por pulgada cuadrada (PSI) y un máximo de 125 PSI. (Un grifo típico al aire libre suministrará generalmente estas PSI si está completamente ABIERTO).
    - b. Los GPM (galones por minuto) entrantes deben ser ser 1 galón más aproximadamente que los GPM salientes deben indicados en la placa de nombre de la lavadora a presión. (Usted puede inspeccionar los GPM observando el tiempo requerido para llenar un recipiente de 5 galones.)
    - c. La temperatura del agua de entrada no debe exceder 125°F. Puede resultar un daño excesivo a la bomba si la temperatura del agua excede este nivel aceptable.
  5. Nunca permita que la unidad opere sin que esté conectada la tubería de agua de entrada y el suministro de agua completamente abierto.



### **PRECAUCIÓN**

**RIESGO DE DAÑO A LA UNIDAD!**

**NO AJUSTE EN EXCESO EL DESCARGADOR. LA ROTURA RESULTARA EN UNA PERDIDA INMEDIATA DE PRESIÓN DE AGUA Y REPARACIONES COSTOSAS.**

### DESCARGADOR:

Usted puede ajustar la presión, si el descargador de su máquina está equipado con una perilla de ajuste. Si se requiere menos presión, simplemente gire la perilla de ajuste en sentido contrario a las agujas del reloj. Para retornar al máximo, gire completamente la perilla de ajuste en el sentido de las agujas del reloj. **!NO AJUSTE EN EXCESO!**

### VALVULA DE DESCARGA TERMICA:

Nunca permita que la lavadora a presión opere en el modo de derivación durante más de tres minutos (con la unidad funcionando y la pistola a gatillo cerrado), para asegurar que la temperatura del agua no exceda niveles aceptables.

Se ha agregado una válvula de descarga térmica a esta unidad para proteger la bomba. Puede comenzar a abrirse y permitir la salida de agua si la temperatura del agua en la bomba ha excedido los 140°F. Esto permitirá que agua fresca y fría entre al sistema, evitando por consiguiente la falla prematura del sello del empaque de la bomba.

## INSTALACION Y PREPARACION

### PROCEDIMIENTOS DE INSPECCION ANTES DEL ARRANQUE:

Efectúe los procedimientos siguientes antes de arrancar la unidad:

1. Inspeccione el nivel de aceite en la bomba y en el motor.
2. Inspeccione el tamiz de entrada de agua. Limpie o reemplace si fuera necesario. Vea "Suministro de agua", #2, pág. 36.
3. Inspeccione todas las conexiones de las mangueras para asegurar que estén bien ajustadas. Vea "Suministro de agua", #3, pág. 36.
4. Inspeccione por pérdidas de combustible del sistema. ¡NO ARRANQUE LA UNIDAD, si encuentra una pérdida de combustible! Vea las "Precauciones contra incendio y de ventilación", #2 y #4, pág. 36. Asegúrese que se reemplacen todas las piezas dañadas y que se corrijan todos los problemas mecánicos antes de operar la unidad. Consulte con el Servicio, si usted requiere servicio.
5. Inspeccione las mangueras de alta presión por dobleces, cortes y pérdidas. ¡NO USE LA MANGUERA, si halla un corte o una pérdida! Antes de arrancar la unidad reemplace la manguera. Vea las "Precauciones misceláneas de seguridad" #6, pág. 28. Asegúrese que se reemplacen todas las piezas dañadas y que se corrijan los problemas mecánicos antes de operar la unidad. Consulte con el Servicio, si usted requiere servicio.

---

## FINAL DE LAS INSTRUCCIONES DE PREPARACION



**LAS PAGINAS SIGUIENTES CONTIENEN INSTRUCCIONES DE OPERACION Y MANTENIMIENTO.**

**NO TRATE DE OPERAR ESTA LAVADORA A PRESION HASTA QUE HAYA LEIDO Y ENTENDIDO TODAS LAS PRECAUCIONES E INSTRUCCIONES DE SEGURIDAD LISTADAS EN ESTE MANUAL.**

**¡¡LA OPERACION INCORRECTA DE ESTA UNIDAD PUEDE CAUSAR LESIONES GRAVES!!**

**¡¡DE NINGUNA MANERA ALTERE O MODIFIQUE ESTE EQUIPO!!**

## INSTRUCCIONES DE OPERACION

### CEBADO DE LA BOMBA:

1. Es esencial cebar la bomba en el arranque inicial y cada vez que se desconecta el suministro de agua de la unidad después del uso inicial.
2. Despliegue la manguera de alta presión para eliminar los dobleces. (El flujo de agua endurecerá la manguera, creando bucles rígidos si la manguera no está recta.)
3. Conecte seguramente el conjunto de la pistola a la manguera de alta presión.

**NOTA:** El conector de la boquilla **NO** debería conectarse al conjunto de la pistola en este momento. Vea "Conexión de la boquilla", pág. 35.

4. Abra completamente el suministro de agua, con la pistola a gatillo asegurado en la posición "OFF". Suelte el seguro de la pistola a gatillo y accione este último, apuntando la pistola en una dirección segura.
5. Comenzará a fluir agua a baja presión del conjunto de manguera/pistola. Esto permite que la unidad se ceba y purgue todo el aire del sistema. Esta unidad está cebada cuando el flujo de agua no esté interrumpido por el aire.
6. Suelte el gatillo y asegure la pistola en la posición "OFF", una vez que la unidad esté cebada. Conecte seguramente el conjunto de la boquilla. (Vea "Conexión de la boquilla", pág. 35.)



### PELIGRO

**¡RIESGO DE INYECCION CAUSANTE DE LESIONES GRAVES!**

**¡MANTENGASE ALEJADO DE LA BOQUILLA!**

**¡NUNCA COLOQUE LA MANO NI LOS DEDOS DELANTE DE LA BOQUILLA!**

**¡NO DIRIJA LA CORRIENTE DE DESCARGA HACIA LAS PERSONAS O LOS ANIMALES!**

**¡ASEGURESE QUE LA BOQUILLA ESTE SEGURAMENTE CONECTADA A LA VARA PARA EVITAR UNA DESCARGA ACCIDENTAL!**



### PRECAUCION

**RIESGO DE DAÑO**

**NO PERMITA QUE EL PATRON DE ROCIADO PERMANEZCA EN UNA AREA FIJA DURANTE UN PERIODO PROLONGADO DE TIEMPO. PUEDE OCURRIR UN DAÑO POSIBLE AL AREA.**

### ARRANQUE:

1. Refiérase a las "Precauciones de seguridad", págs. 26-29 antes de arrancar la unidad.
2. Ubique las calcomanías de seguridad en su unidad y obedezca sus advertencias.
3. Apunte la pistola a gatillo alejado de usted o de cualquier otra persona, con el mismo asegurado en la posición "OFF". Asegúrese que el suministro de agua esté completamente abierto.
4. Desenganche el seguro de la pistola y accione el gatillo. Comenzará a fluir agua a baja presión de la boquilla.
5. Al arrancar el motor, **ASEGURESE** que la pistola a gatillo permanezca en la posición abierta. Afírmese ya que la pistola retrocederá violentamente a causa de la alta presión causada por la bomba una vez que haya arrancado el motor.
6. Para afirmar la unidad durante el arranque del motor, coloque su pie sobre el chasis o rueda. (Refiérase al manual del motor adjunto a esta lavadora a presión para los procedimientos correctos requeridos para arrancar el motor.)
7. Efectúe los procedimientos siguientes una vez que haya arrancado el motor con la pistola en la posición abierta:
  - a. Inspeccione por pérdidas de aceite y combustible del sistema. **¡APAGUE INMEDIATAMENTE LA UNIDAD**, si encuentra una pérdida! Vea las "Precauciones contra incendio y de ventilación", #2 y #4, pág. 26. Antes de operar la unidad, asegúrese que se hayan reemplazado todas las piezas dañadas y que se hayan corregido todos los problemas mecánicos. Consulte con el Servicio, si usted requiere servicio.
  - b. Inspeccione las mangueras de alta presión por dobleces, cortes y pérdidas. **¡¡¡NO TOQUE LA MANGUERA EN LA PERDIDA**, si encuentra un corte o una pérdida!!! **¡APAGUE INMEDIATAMENTE LA UNIDAD!** Antes de arrancar nuevamente la unidad, reemplace la manguera. Vea las "Precauciones misceláneas de seguridad" #6, pág. 28. Antes de operar la unidad, asegúrese que se hayan reemplazado todas las piezas dañadas y que se hayan corregido todos los problemas mecánicos. Consulte con el Servicio, si usted requiere servicio.
8. **ASEGURE** la pistola a gatillo en la posición "OFF" siempre que cambie las boquillas de conexión rápida. **¡NUNCA** mire directamente en la boquilla! ¡El agua a alta presión crea un riesgo de lesiones graves!
9. No permita que la unidad funcione en un modo de derivación (con el gatillo cerrado) por más de tres minutos sin accionar el gatillo de la pistola. El no seguir esta simple regla puede causar la falla prematura de los sellos del empaque de la bomba, resultando en una reparación costosa a la misma.
10. Puede haber muchas tareas de limpieza que pueden efectuarse sin el uso de detergentes, a causa que la lavadora a presión suministra un rociado a alta presión y una variedad de patrones de rociado. Vea "Limpieza con detergentes", pág. 39, para los procedimientos correctos, si se requiere un agente de limpieza.

## INSTRUCCIONES DE OPERACION

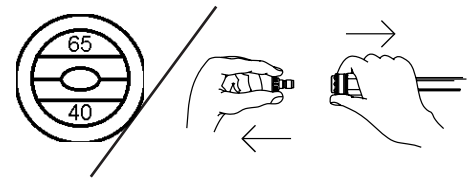
### LIMPIEZA CON DETERGENTES:

1. Refiérase a las "Precauciones de limpieza con detergentes" pág. 28 antes de trabajar con detergentes. Asegúrese de usar vestimenta protectora de seguridad según lo mencionado en la pág. 34.
2. Prepare la solución de detergente de acuerdo con las instrucciones del rótulo. Nunca bombee ácidos, alcalinos, fluidos abrasivos o solventes a través de la unidad. Es recomendado que usar solamente detergentes de Mi-T-M con esta unidad porque es muy común para usar detergentes desconocidos y corrosivos en la industria de limpiado de las arandelas de presión.
3. Conecte la manguera de detergente a la unidad según lo visto en la página de elementos y componentes para su unidad (pág. 30 o 32).
4. Ajuste la cantidad de detergente deseado como encontrar el fin de ajustados en el tirador de manguera claro y vinilo cerca la cabeza de bomba. Doble el tirador en sentido contrario a las agujas del reloj para fijar la rata máxima de sifón.
5. Sumerja el tamiz dentro de la solución del detergente para permitir que este último circule por sifón.
6. Asegúrese que el suministro de agua esté completamente en posición de "ON".
7. Usando el conector rápido, conecte bien la boquilla de rociado de detergente (#6540° NEGRA) al extremo de la vara, con la pistola a gatillo asegurado en la posición "OFF".

**NOTA:** Este sistema de inyección está diseñado para aplicar detergentes a baja presión solamente. No permitirá que se introduzcan soluciones de detergente en el sistema a menos que la boquilla del detergente esté instalada en la vara.

8. Desenganche la pistola a gatillo y accione el gatillo, para aplicar la solución. Una mezcla de detergente/agua saldrá de la boquilla de baja presión en unos pocos momentos. Comience rociando la porción inferior de la superficie que está siendo limpiada y muévase hacia arriba usando pasadas largas superpuestas. El aplicar desde abajo hacia arriba ayuda a evitar el estriado. Permita que se empape brevemente. (Para minimizar la posibilidad de que se seque el detergente, lo que puede resultar en daños a las superficies pintadas, evite trabajar sobre superficies calientes o bajo la luz directa del sol.) Asegúrese de enjuagar una sección pequeña por vez.
9. Para enjuagar: asegure la pistola a gatillo en la posición "OFF", y usando el conector rápido, conecte seguramente la boquilla de alta presión al extremo de la vara. Desenganche la pistola a gatillo y rocíe. Llevará 30 segundos aproximadamente purgar todo el detergente de la tubería. Comience en la parte superior y trabaje hacia abajo, para obtener los mejores resultados del enjuague.
10. Después de cada uso, extraiga por sifón un galón de agua del sistema de inyección de detergente a baja presión. Esto evita la posibilidad de corrosión o de que el residuo de detergente cause problemas mecánicos durante el próximo uso.

### CONEXION RAPIDA PARA DETERGENTES



---

### APAGADO:

1. APAGUE el motor según se instruye en el Manual del Motor.
2. CIERRE el suministro de agua.
3. Accione momentáneamente la pistola a gatillo para eliminar toda la presión interna, apuntando la pistola en una dirección segura.
4. Desconecte el conjunto de la boquilla, una vez que se haya eliminado la presión.
5. Desconecte y drene la pistola, la vara y las mangueras.
6. Limpie la unidad con un paño y almacene con la pistola, la vara y las mangueras en un área segura.

## ALMACENAMIENTO Y MANTENIMIENTO

### MANTENIMIENTO ESPECIFICO:

**MOTOR:** Las instrucciones del motor que acompañan a su unidad detallan los procedimientos específicos para el mantenimiento del motor. El observar las recomendaciones del fabricante del motor prolongará la vida útil del motor.

**BOMBA:** El aceite de la bomba debe ser cambiado después de las primeras 25 horas de operación en todas las unidades. Se recomienda intervalos de 250 horas, después de la carga inicial. Pueden requerirse cambios con mayor frecuencia, si el aceite parece sucio o lechoso. Use aceite para bombas de Mi-T-M #AW-4018-0016 y llene sólo hasta la marca en el vidrio. NO llene en exceso.

**BOQUILLAS:** El agua que fluye a través de la boquilla de rociado de conexión rápida desgastará y agrandará el orificio, resultando en una pérdida de presión. Deberían reemplazarse las boquillas siempre que la presión sea menor que el 85% del máximo. La frecuencia de reemplazo dependerá de tales variables tales como el contenido mineral en el agua y el número de horas que se usa la boquilla.

**ACOPLES RAPIDOS:** Hay un sello del anillo en O dentro de acople rápido hembra en la salida de agua de su unidad. Este anillo en O se deteriorará, o se saldrá de lugar si se permite que la unidad bombee sin la manguera de alta presión. Simplemente inserte un anillo de repuesto para corregir la pérdida. (Pueden comprarse anillos en O adicionales de su distribuidor).



## ALMACENAMIENTO Y MANTENIMIENTO

### PREPARACION PARA EL INVIERNO:

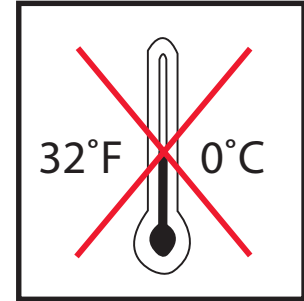
Usted puede proteger su unidad siguiendo el procedimiento indicado abajo, si debe almacenarla en un lugar donde la temperatura puede descender por debajo de los 32°F.

1. Reúne los artículos siguientes:
  - a. Dos recipientes de 5 galones.
  - b. Un galón de anticongelante. (Mi-T-M® recomienda un anticongelante seguro para el medio ambiente.)
  - c. Suministro de agua.
  - d. Una manguera de tres pies de largo con un D.I. de 1/2-3/4 y con un adaptador macho de manguera de jardín de 3/4 de pulgada.
2. Procedimiento:
  - a. Para comenzar a preparar su unidad para el invierno, la misma debe hacerse funcionar y cebarse de acuerdo con los "Procedimientos de Arranque" indicados en la página 34.
  - b. Apague la unidad y corte el suministro de agua, después de hacerla funcionar y cebarla.
  - c. Elimine la presión del sistema apuntando la pistola a gatillo hacia una dirección segura y accionando el gatillo hasta que el flujo de agua cese de salir por la boquilla.
  - d. Asegure la pistola a gatillo en la posición OFF y retire la boquilla.
  - e. Retire la manguera de suministro de agua de la unidad y fije seguramente la manguera de 3 pies a la conexión de entrada.
  - f. Si fuera aplicable apague el inyector de detergente.
  - g. Llene un recipiente de 5 galones con agua.
  - h. Agarrando la manguera de 3 pies en un posición vertical, llene la manguera con agua completamente. Después tape la salida de manguera con su dedo. Ponga el fin tapado dentro del recipiente de 5 galones de agua.
  - i. Arranque la unidad. Accione el gatillo de la pistola hasta todo el aire está afuera de la sistema (unidad sea cebarse). Podría necesitar que ajuste los RPM del motor encima a un flojo para ayuda en cebarse.

**NOTA:** La preparación apropiada para el invierno está basada en las instrucciones recomendadas del fabricante incluidas en la "Tabla de Protección" mostrada en el rótulo posterior de la mayoría de los recipientes de anticongelantes.

- j. Con el gatillo de la pistola abierta, extraiga por sifón bastante agua de recipiente de 5 galones hasta que suficiente agua para mezclar con el anticongelante.
  - k. Apunte la vara hacia el recipiente vacío y arranque la unidad.
  - l. Accione el gatillo de la pistola hasta que el anticongelante comience a salir por la vara. Suelte el gatillo por 3 segundos, a continuación accione el gatillo de la pistola por 3 segundos. Continúe ciclando la pistola varias veces hasta que toda la mezcla anticongelante es extraída del recipiente por la acción de sifón.
  - m. Separe la manguera de 3 pies de la unidad y drene todo el exceso restante de anticongelante dentro del recipiente de 5 galones.
  - n. Desconecte el conjunto de manguera/pistola/vara de la unidad y drene todo el exceso restante de anticongelante dentro del recipiente de 5 galones.
  - o. Almacene la manguera, la pistola y vara junto con la unidad, en un lugar seguro.
  - p. Almacene la solución anticongelante para un uso ulterior o descártela de acuerdo con las leyes de protección del medio ambiente correspondientes.
3. Procedimiento opcional:
    - a. Apague la unidad y corte el suministro de agua.
    - b. Elimine la presión del sistema apuntando la pistola a gatillo hacia una dirección segura y accionando el gatillo hasta que el flujo de agua cese de salir por la boquilla.
    - c. Desconecte y drene la manguera, la pistola y la vara.
    - d. Arranque la unidad y permita que funcione hasta que toda el agua salga de la misma. Apague una vez que el agua ha cesado de fluir de la unidad.

**NOTA:** Debe ejercerse precaución al usar este procedimiento, ya que pueden formarse plaquitas de hielo de las gotas de agua, lo que podría causar que la unidad reviente si se arranca antes de estar completamente descongelada.



## LOCALIZACION DE FALLAS

SINTOMA	CAUSA PROBABLE	SOLUCION
El motor no arranca.	Varios problemas del motor.	Refiérase al Manual del Motor que acompaña a su unidad.
	Los componentes de la unidad están congelados.	Permita que se descongele. Si se congela cualquier parte de la unidad, puede acumularse una presión excesiva en la unidad, lo que podría causar que la misma reviente, resultando en lesiones posibles graves al operador o a los observadores.
No hay descarga de la boquilla cuando se acciona el mecanismo del gatillo.	Suministro inadecuado de agua.	Asegúrese que la manguera tenga 3/4" de diámetro y que el suministro de agua entrante esté abierto.
Presión baja o fluctuante	Doblez en la manguera de entrada de agua.	Elimine el doblez
	Doblez en la manguera de descarga de alta presión.	Reemplace la manguera.
	Está obstruido el tamiz de la entrada de agua.	Saque el tamiz, limpie o reemplace.
	La bomba absorbe aire (Eliminado el cebado)	Ajuste todas las conexiones de entrada de agua. Elimine dobleces en la tubería de entrada.
	No está en el modo de alta presión.	Conecte seguramente la boquilla de alta presión
	La boquilla de rociado está obstruida o gastada.	Saque, limpie o reemplace.
	El conjunto de la válvula en la bomba está dañado u obstruido.	Saque, inspeccione, limpie o reemplace.
	Los empaques de la bomba están gastados.	Reemplace los empaques.
	La valvula de derivación no opera correctamente.	Repare o reemplace.
Pérdida de agua de la "Válvula de descarga térmica"	La temperatura del agua es demasiado elevada.	No permita que la unidad opere en el modo de derivación (con la pistola a gatillo cerrado) durante más de tres minutos.
El agua parece lechosa o espumosa	Válvula defectuosa.	Reemplace.
Pérdida de aceite de la unidad	Agua en el aceite	Cambie la bomba de aceite. Llene al nivel apropiado.
El detergente no fluirá por sifón en el modo de detergente a baja presión.	<b>!!!!NO LA USE!!!!</b>	Llame al Servicio al Cliente.
	El tamiz del detergente no está completamente sumergido en la solución de detergente.	Inspeccione, sumerja si fuera necesario.
	El tamiz del detergente está obstruido.	Inspeccione, limpie o reemplace.
	La manguera del detergente está cortada, obstruida o doblada.	Inspeccione, limpie o reemplace.
	La perilla de ajuste del detergente está girada a la posición cerrada.	Abra la perilla de ajuste. Refiérase a "Limpieza con detergentes" pág. 39.
	No está en el modo de baja presión.	Inserte la boquilla 6540° (NEGRA).
	La boquilla del detergente está taponada.	Limpie o reemplace.
	Hay demasiadas extensiones de las mangueras de alta presión conectadas a la salida de agua.	Use una extensión como máximo.
	La esfera y el resorte en el Venturi están atascados.	Retire, limpie o reemplace.
El flujo de agua retrocede al recipiente del detergente.	La esfera y el resorte en el Venturi están invertidos, faltan o están desgastados.	Saque, limpie le reemplace.
Cuando la pistola de gatillo está asegurado en la posición "OFF", el agua fluye desde la boquilla.	La pistola funciona mal.	Repare o reemplace.

## ACCESORIOS

		CD-2003-3MHH	CD-2003-2MHC	CD-2003-2MVC
15-0006	MANGUERA DE ALIMENTACION DE 3/4"	X	X	X
50-0085	VARA DE EXTENSION DE 18'		X	X
50-0086	ANGULO DE VARA DE EXTENSION		X	X
851-0007	MANGUERA DE EXTENSION DE 50' DE 3000PSI	X	X	X
AW-3000-0000	CORREADOR DE ARENA-PUNTE DE CARBURO	X		
AW-3020-0000	CORREADOR DE ARENA-PUNTE DE CERAMICA	X		
AW-4085-0016	PETROLEO DE BOMBA	X		
AW-7002-4045	G-GUERZA BOQUILLA GIRATORIA	X		
AW-7003-1500	CEPILLA GIRATORA	X		
AW-7015-1200	VARA DE EXTENSION DE 12'	X	X	X
AW-7015-1800	VARA DE EXTENSION DE 18'	X	X	X
AW-7015-2400	VARA DE EXTENSION DE 24'	X	X	X
AW-7020-8000	LIMPIADOR ROTATIVO DE SUPERFICIES	X	X	X
AW-7025-0000	CEPILLO CON MANGO DE 25" (INCLUYE CINCO BOQUILLAS DE 80)	X		
AW-7035-8000	CEPILLO CON MANGO DE 35" (INCLUYE CINCO BOQUILLAS DE 80)	X		
AW-7103-1800	VARA DE EXTENSION DE 18"	X		
AW-7103-3600	VARA DE EXTENSION DE 36"	X		
AW-7103-7200	VARA DE EXTENSION DE 72"	X		

\*Se debe especificar presión (PSI) y volumen (GPM) al hacer el pedido.

El limpiador de uso general, el preparador de superficies para pintar, el limpiador de casa y pisos de terrazas, y el desengrasante de uso pesado, son detergentes Mi-T-M especialmente formulados para usarse con todas las lavadoras a presión Mi-T-M y se envasan en recipientes de uno (1), cinco (5) y cincuenta-cinco (55) galones. Si desea más información, llame al departamento de servicio, al 800-228-6172 de larga distancia gratuita.

## DECLARACIÓN DE GARANTÍA

Mi-T-M Corporation garantiza que todas las piezas (excepto aquellas a las que se hace referencia abajo), de su nueva lavadora a presión libres de defectos en materiales y mano de obra durante los periodos siguientes:

Para un curso de la vida contra congelar y agrietarse:

Colector de bomba

Por cinco (5) año a partir de la fecha original de compra:

Bomba de Alta Presión

Por dos (2) año a partir de la fecha original de compra:

Unidad Base

Tuberías

Por un (1) año a partir de la fecha original de compra:

GFCI

Encender de selector

Por noventa (90) días a partir de la fecha original de compra:

Manguera de alta presión

Pistola de gatillo

Válvulas de descargador

Enciende/ apaga la luz

Las piezas defectuosas que no están sujetas a deterioro causado por el uso serán reparadas o reemplazadas a nuestra opción durante el periodo de garantía. En todo caso, el reembolso está limitado al precio de compra pagado.

### EXCLUSIONES

1. El motor está cubierto bajo una garantía separada proporcionada por el fabricante respectivo y está sujeta a los términos en ella establecidos.
2. Partes de desgaste normal:

Empaques de las bombas	Válvulas de la bomba
Boquillas	Válvulas del detergente
Argolla	Connexión Rapida
3. Esta garantía no cubre las piezas dañadas debido al deterioro normal causado por el uso, mala aplicación, mal uso, operación a velocidades, presiones o temperaturas diferentes a las recomendadas. Las piezas dañadas o gastadas a causa del uso de líquidos cáusticos o por la operación en medios ambientes abrasivos o corrosivos o bajo condiciones que causan cavitación de la bomba no están garantizadas. La falla en seguir los procedimientos recomendados de operación y mantenimiento también cancela la garantía.
4. El uso de piezas de repuesto diferentes a las genuinas Mi-T-M® cancelará la garantía. Las piezas devueltas, con franqueo pagado a un Centro de Servicio Autorizado, serán inspeccionadas y reemplazadas, libre de cargos, si se determina que están defectuosas y sujetas a la garantía. No existen garantías que se extiendan más allá de la descripción contenida aquí. Bajo ninguna circunstancia el Mi-T-M Corporation será responsable por la pérdida de uso de la unidad, pérdida de tiempo, inconvenientes, pérdida comercial o daños consecuentes.

### PARA SERVICIO O CONSIDERACION DE LA GARANTIA CONSULTE CON:

Mi-T-M Corporation / 8650 Enterprise Drive, Peosta, IA 52068-0050

Telefono: 563-556-7484

Telephone gratis en los EE. UU.: 800-228-6172 / Fax: 563-556-1235

Lunes - Viernes 8:00 a.m. - 5:00 p.m. CST