



PARTS LIST FOR
CW-2405-4ME1/3
CW-3004-4ME1/3
(AFTER SERIAL #10874728)

Motor Horsepower:		
	CW-2405/3004-4ME1/3:	7.5HP
Pump Oil Grade:		Mi-T-M Pump Oil #AW-4085-0016
Pump Oil Capacity:		40.6 oz.
Nozzle Size:		
	CW-2405-4ME1/3:	6.0
	CW-3004-4ME1/3:	4.0

This Parts Listing has been compiled for your benefit. You can be assured your Mi-T-M Cold Water Pressure Washer was constructed and designed with quality and performance in mind using over 25 years experience in the pressure washer business. Each component has been rigorously tested to insure the highest level of acceptance.

The contents of this Parts Listing are based on the latest product information available at the time of publication. Mi-T-M reserves the right to make changes in price, color, materials, equipment, specifications or models at any time without notice.

WARNING

THIS IS A PROFESSIONAL HIGH PRESSURE, COLD WATER PRESSURE WASHER. CAUTION SHOULD BE OBSERVED WHEN USING OR REPAIRING THIS UNIT! READ AND FOLLOW THE SAFETY WARNINGS LISTED BELOW BEFORE ATTEMPTING ANY REPAIRS ON THIS PRESSURE WASHER!

SAFETY WARNINGS

1. NEVER alter or modify the equipment. Be sure any accessory items and system components being used will withstand the pressure developed. Use only genuine Mi-T-M parts for repair of your pressure washer. Failure to do so can cause hazardous operating conditions and will VOID warranty.
2. NEVER make adjustments on machinery while the unit is connected to the power source. Turning over the machinery by hand during adjustment or cleaning might start the machinery, causing serious injury to the operator.
3. Know how to stop and bleed pressures quickly. Be thoroughly familiar with controls.
4. Before servicing the unit, turn unit off, relieve the water pressure and allow the unit to cool down. Do not make repairs while the unit is running. Service in a clean, dry, flat area.
5. After testing the machine, DO NOT leave the pressurized unit unattended. Shut off the unit and release trapped pressure before leaving.

Table of Contents

SPECIFICATIONS CW-2405-4ME1&34

SPECIFICATIONS CW-3004-4ME1&35

FRAME ASSEMBLY FOR CW-2405-4ME1/4ME3 AND CW-3004-4ME1/4ME3 (AFTER SERIAL #10874728)6

MOTOR ASSEMBLY (851-0398)8

MOTOR ASSEMBLY (851-0399)10

PUMP ASSEMBLY (3-0202) (AFTER SERIAL #10375000).....12

UNLOADER ASSEMBLY (8-0032)14

WIRING SCHEMATIC FOR CW-2405/3004-4ME1 (230 VOLT)16

WIRING DIAGRAM FOR CW-2405/3004-4ME1 (230 VOLT)17

WIRING SCHEMATIC FOR CW-2405/3004-4ME3 (230 VOLT)18

WIRING DIAGRAM FOR CW-2405/3004-4ME3 (230 VOLT)19

WIRING SCHEMATIC FOR CW-2405/3004-4ME3 (CX-0003 OPTION) (460 VOLT).....20

WIRING DIAGRAM FOR CW-2405/3004-4ME3 (CX-0003 OPTION) (460 VOLT)21

NOTES

SERIAL BREAK NUMBER:

#10154637

#10375000

#10874728

SERIAL BREAK EXPLANATION:

CHANGED CORD STRAIN RELIEF ON CONTROL BOX DWG. FROM 32-0040 TO 9-0048. (CW-3006)
(07-27-15 3006 OBSOLETE)

CHANGED PRESSURE SEAL ON PUMPS 3-0202

CHANGED BELTGUARD AND BASEPLATE

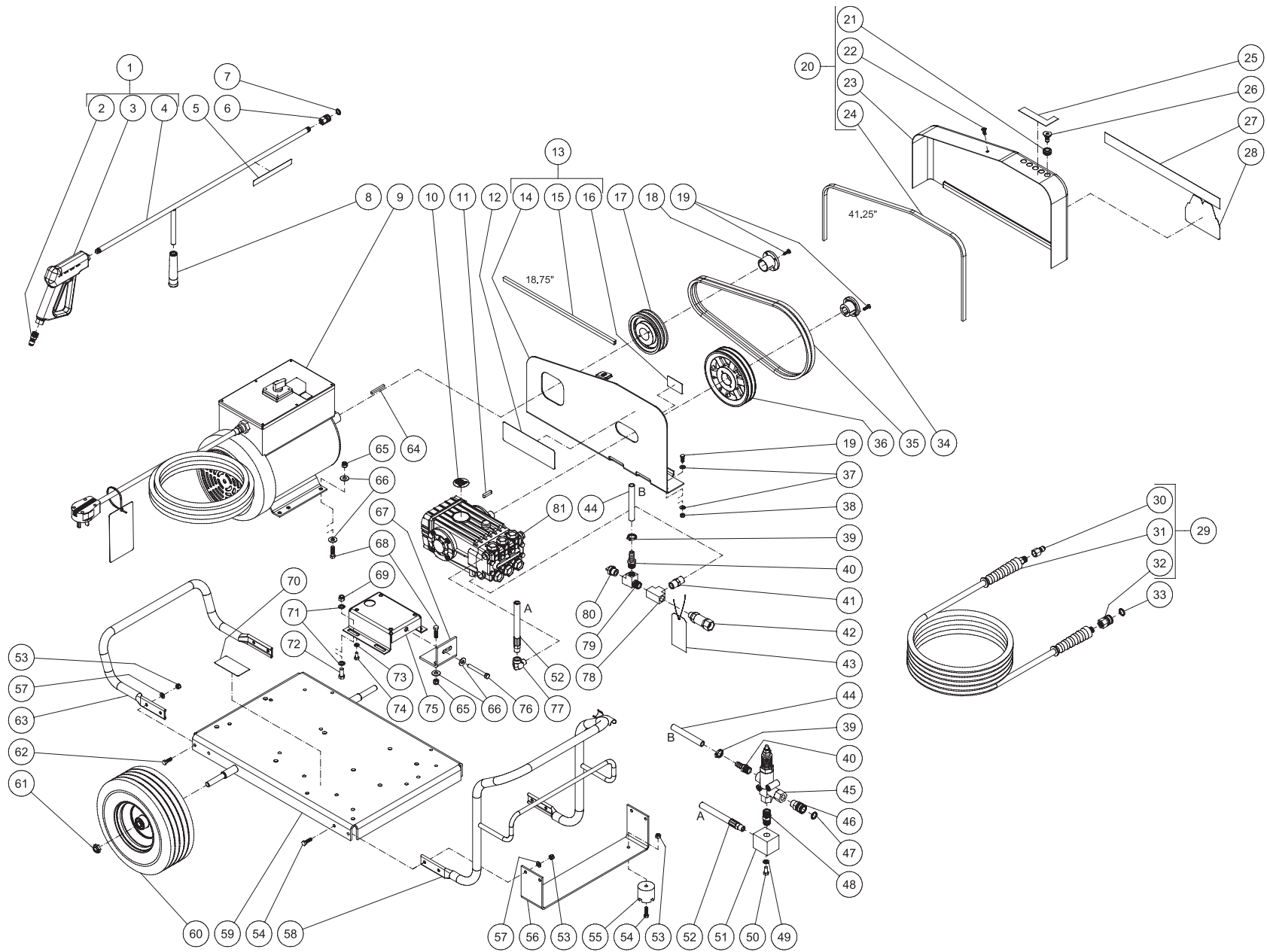
SPECIFICATIONS CW-2405-4ME1&3

MODEL NUMBER	CW-2405-4ME1	CW-2405-4ME3
Operating Pressure (PSI/Bar):	2400/165.5	
High Pressure Nozzle:	6.0	
Water Volume (GPM/lpm):	4.6/17.4	
Motor:	Totally enclosed fan cooled, circuit breaker thermal overload protection, 10ft. power supply cord.	
Horsepower	7.5	
Voltage	230	230/460
Phase	Single	Three
Amps	32.0	20.0/10.0
Pump:	Belt Driven, Oil Bath, Triplex Piston	
Oil Type	Mi-T-M Pump Oil #AW-4085-0016	
Oil Capacity (oz./liters)	40.6/1.20	
Plungers	Ceramic	
Manifold	Forged Brass	
Valves	Stainless Steel	
Thermal Relief Valve	Relieves heated water during unloader bypass stage.	
Unloader:	Preset	
Detergent Injector	Adjustable low pressure down stream from pump	
Unit Net Weight (lbs/Kg)	347/157.5	270/122.5
Unit Shipping Weight (lbs/Kg)	335/152	257/116.5
Unit Net Dimension (in/cm)	46Lx28Wx30H/117Lx71Wx76H	
Unit Shipping Dimension (in/cm)	49Lx30.5Wx35.5H/124Lx77.5Wx90H	

SPECIFICATIONS CW-3004-4ME1&3

MODEL NUMBER	CW-3004-4ME1	CW-3004-4ME3
Operating Pressure (PSI/Bar):	3000/206.8	
High Pressure Nozzle:	4.0	
Water Volume (GPM/lpm):	3.5/13.2	
Motor:	Totally enclosed fan cooled, circuit breaker thermal overload protection, 10ft. power supply cord.	
Horsepower	7.5	
Voltage	230	230/460
Phase	Single	Three
Amps	32.0	20.0/10.0
Pump:	Belt Driven, Oil Bath, Triplex Piston	
Oil Type	Mi-T-M Pump Oil #AW-4085-0016	
Oil Capacity (oz./liters)	40.6/1.20	
Plungers	Ceramic	
Manifold	Forged Brass	
Valves	Stainless Steel	
Thermal Relief Valve	Relieves heated water during unloader bypass stage.	
Unloader:	Preset	
Detergent Injector	Adjustable low pressure down stream from pump	
Unit Net Weight (lbs/Kg)	347/157.5	270/122.5
Unit Shipping Weight (lbs/Kg)	335/152	257/116.5
Unit Net Dimension (in/cm)	46Lx28Wx30H/117Lx71Wx76H	
Unit Shipping Dimension (in/cm)	49Lx30.5Wx35.5H/124Lx77.5Wx90H	

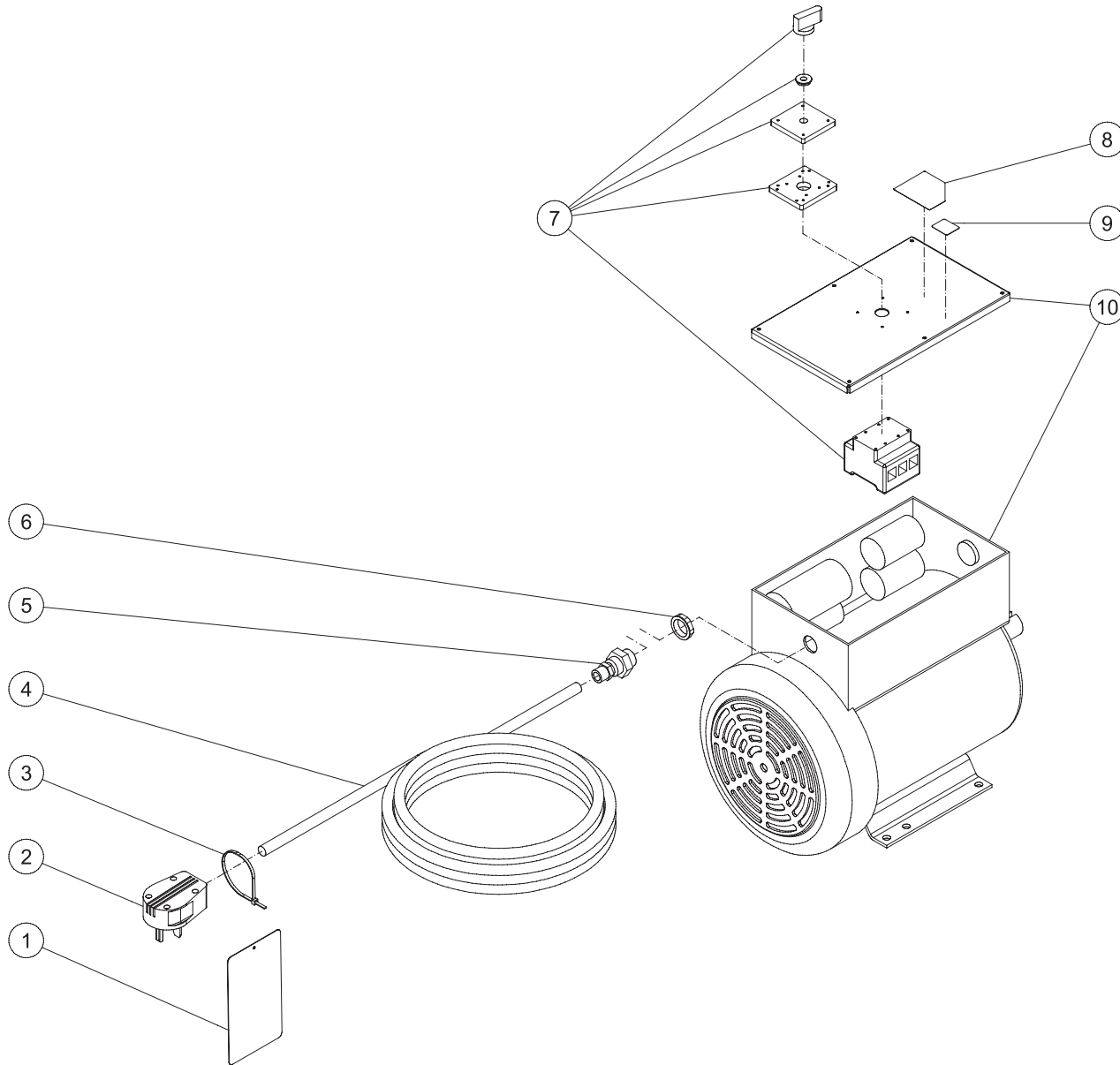
FRAME ASSEMBLY FOR CW-2405-4ME1/4ME3 AND CW-3004-4ME1/4ME3 (AFTER SERIAL #10874728)



CW-2405_3004-4ME1_4ME3 071615 JDK

FRAME ASSEMBLY							
ITEM	DESCRIPTION	PART #	QTY	ITEM	DESCRIPTION	PART #	QTY
1	GUN/WAND ASSEMBLY	851-0095	1	37	WASHER	28-0002	8
2	QUICK CONNECT	17-0005	1	38	LOCKNUT	30-0155	4
3	GUN	16-0001	1	39	HOSE CLAMP	42-0011	2
4	WAND (INCLUDES GRIP & QUICK CONNECT)	16-0418	1	40	BARB	23-0045	2
5	DECAL - RISK OF INJECTION (SEE 71-1044)	N/A	1	41	NIPPLE	23-0012	1
6	QUICK CONNECT	17-0001	1	42	FILTER	19-0206	1
7	O-RING	25-0122	1	43	TAG - WATER SUPPLY INLET (E)	N/A	1
8	GRIP-RUBBER FOR WAND	7-0002	1	44	HOSE *(TWO FEET REQUIRED)	15-00022	1
9	MOTOR ASSEMBLY (4ME3)	851-0398	1	45	UNLOADER	8-0032	1
-	MOTOR ASSEMBLY (4ME1)	821-0399	1	46	QUICK CONNECT SOCKET	17-0029	1
10	DECAL - PUMP	N/A	1	47	O-RING	25-0123	1
11	KEY - WITH PUMP	43-0028	1	48	NIPPLE	24-0031	1
12	DECAL-WARNING/CAUTION/OPERATION	N/A	1	49	LOCKWASHER	29-0008	2
13	BELTGUARD BACK ASSY - ELECTRIC	851-0335	1	50	BOLT	27-0116	2
14	BELT GUARD BACK	6-0089A01	1	51	MANIFOLD BLOCK	51-0012	1
15	EDGING *(TWO FEET REQUIRED)	33-0020	1	52	HIGH PRESSURE HOSE	15-0024	1
16	DECAL - BELTGUARD IN PLACE (SEE 71-1044)	N/A	1	53	LOCKNUT	30-0157	10
17	SHEAVE (2405)	10-0041	1	54	BOLT	27-0068	6
-	SHEAVE (3004)	10-0025	1	55	ISOLATOR	14-0008	2
18	BUSHING	9-0008	1	56	BRACKET	13-0015A01	1
19	BOLT	27-0015	6	57	WASHER	28-0003	8
20	BELTGUARD COVER ASSEMBLY	850-0242	1	58	FRONT HANDLE	7-0102A01	1
21	GROMMET	33-0001	5	59	BASEPLATE	5-0333A01	1
22	FASTENER	N/A	1	60	WHEEL	14-0127	2
23	BELTGUARD COVER	6-0064A01	1	61	LOCKNUT	30-0117	2
24	EDGING *(FOUR FEET REQUIRED)	33-0020	1	62	BOLT	27-0067	4
25	DECAL - NOZZLE	N/A	1	63	REAR HANDLE	7-0105A01	1
26	NOZZLE (2405)	18-0414	1	64	KEY	43-0078	1
-	NOZZLE (2405)	18-0415	1	65	LOCKNUT	30-0159	6
-	NOZZLE (2405)	18-0416	1	66	WASHER	28-0023	11
-	NOZZLE (2405)	18-0417	1	67	BRACKET	13-0003A01	1
-	NOZZLE (3004)	18-0397	1	68	BOLT	27-0118	6
-	NOZZLE (3004)	18-0399	1	69	LOCKNUT	30-0161	4
-	NOZZLE (3004)	18-0400	1	70	DECAL- SILVER STICKER	N/A	1
-	NOZZLE (3004)	18-0401	1	71	WASHER	28-0030	8
27	DECAL - MI-T-M STRIPE (SEE 71-1044) (3004)	N/A	1	72	BOLT	27-0166	4
-	DECAL - MI-T-M STRIPE (SEE 71-1044) (2504)	N/A	1	73	LOCKWASHER	29-0054	4
28	DECAL - MI-T-M	34-2169	1	74	BOLT	27-8042	4
29	HOSE ASSEMBLY	851-0338	1	75	PUMP BRACKET	5-0101A01	1
30	QUICK CONNECT	17-0006	1	76	BOLT	27-0576	1
31	HOSE	15-0209	1	77	ELBOW	24-0105	1
32	QC SOCKET	17-0004	1	78	TEE	23-0043	1
33	O-RING	25-0123	1	79	TEE	23-0124	1
34	BUSHING	9-0017	1	80	RELIEF VALVE	22-0005	1
35	BELT	11-0036	2	81	PUMP	3-0202	1
-	BELT	11-0017	2	-	DECAL SET 2000/3000 ELEC'S.	71-1044	1
36	SHEAVE	10-0035	1	*MUST ORDER IN ONE FOOT LENGTHS			

MOTOR ASSEMBLY (851-0398)

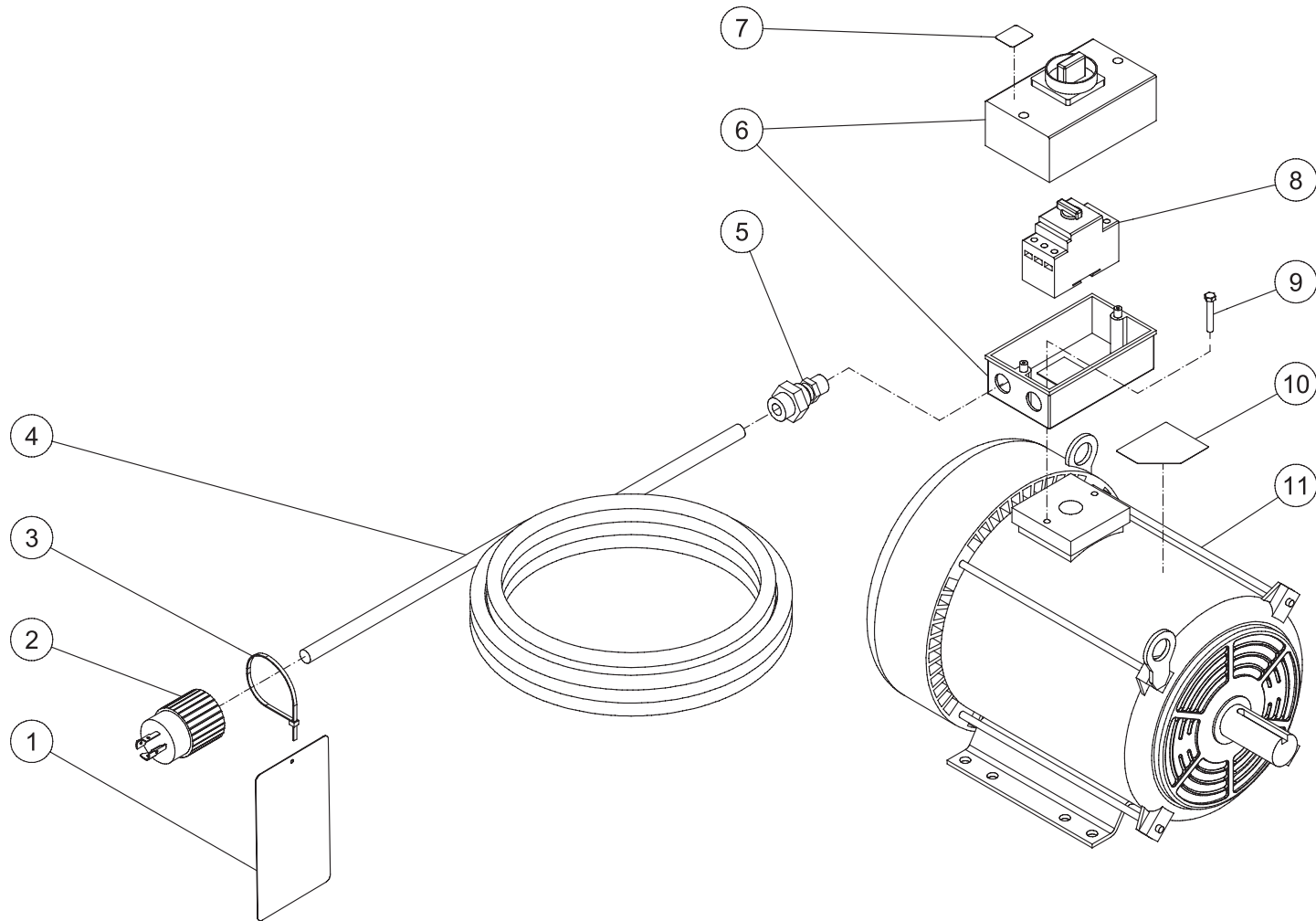


851-0398 061313 JDK

MOTOR ASSEMBLY

ITEM	DESCRIPTION	PART #	QTY
1	TAG - WARNING RISK OF ELECTROCUTION	N/A	1
2	PLUG	32-0012	1
-	PLUG - (CX-0003)	32-0117	1
3	CABLE TIE	33-0022	1
4	CORD *(TEN FEET REQUIRED)	32-0021	1
-	CORD (CX-0003) *(TEN FEET REQUIRED)	32-0025	1
5	BUSHING - CORD	32-0040	1
6	ELECTRICAL LOCKNUT	32-0292	1
7	SWITCH	32-0301	1
8	DECAL - DO NOT SPRAY	N/A	1
9	DECAL - WARNING REMOVAL OF COVER	N/A	1
10	MOTOR	N/A	1
-	STARTER (CX-0003)	32-1045	1
-	WIRE SPLICE	32-0359	1
-	TERMINAL	32-0034	1
*MUST ORDER IN ONE FOOT LENGTHS			

MOTOR ASSEMBLY (851-0399)



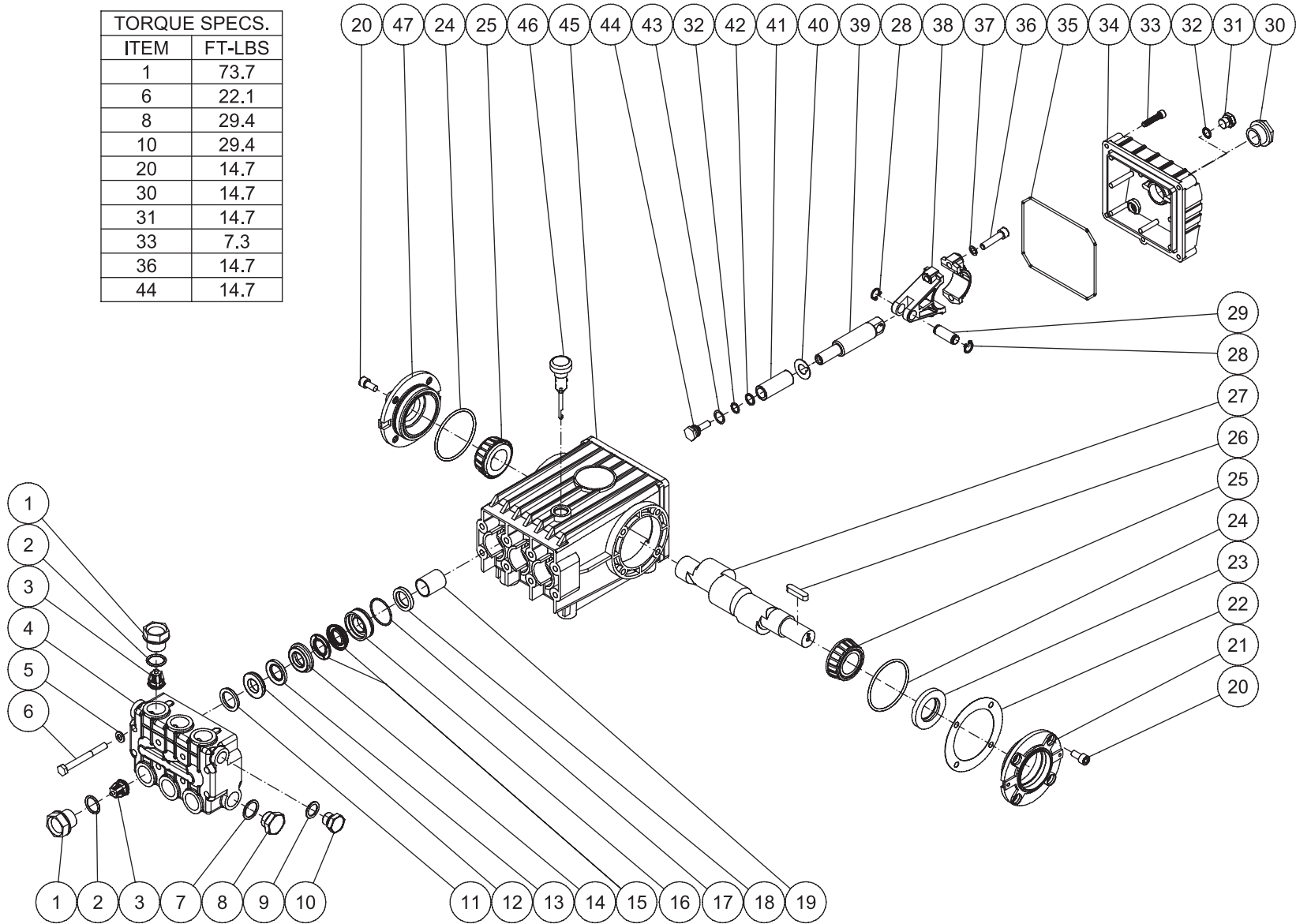
MOTOR ASSEMBLY

ITEM	DESCRIPTION	PART #	QTY
1	TAG - WARNING RISK OF ELECTROCUTION	N/A	1
2	PLUG	32-0037	1
-	PLUG (CX-0003)	32-0117	1
3	CABLE TIE	33-0022	1
4	CORD *(TEN FEET REQUIRED)	32-0023	1
-	CORD *(TEN FEET REQUIRED) (CX-0003)	32-0025	1
5	STRAIN RELIEF	32-0013	1
6	STARTER BOX	N/A	1
-	STARTER (CX-0003)	32-1045	1
7	DECAL - WARNING REMOVAL OF COVER	N/A	1
8	STARTER	32-1046	1
9	BOLT	27-0018	2
10	DECAL - DO NOT SPRAY	N/A	1
11	MOTOR	2-0093	1
-	WIRE SPLICE	32-0359	1

*MUST ORDER IN ONE FOOT LENGTHS

PUMP ASSEMBLY (3-0202) (AFTER SERIAL #10375000)

TORQUE SPECS.	
ITEM	FT-LBS
1	73.7
6	22.1
8	29.4
10	29.4
20	14.7
30	14.7
31	14.7
33	7.3
36	14.7
44	14.7

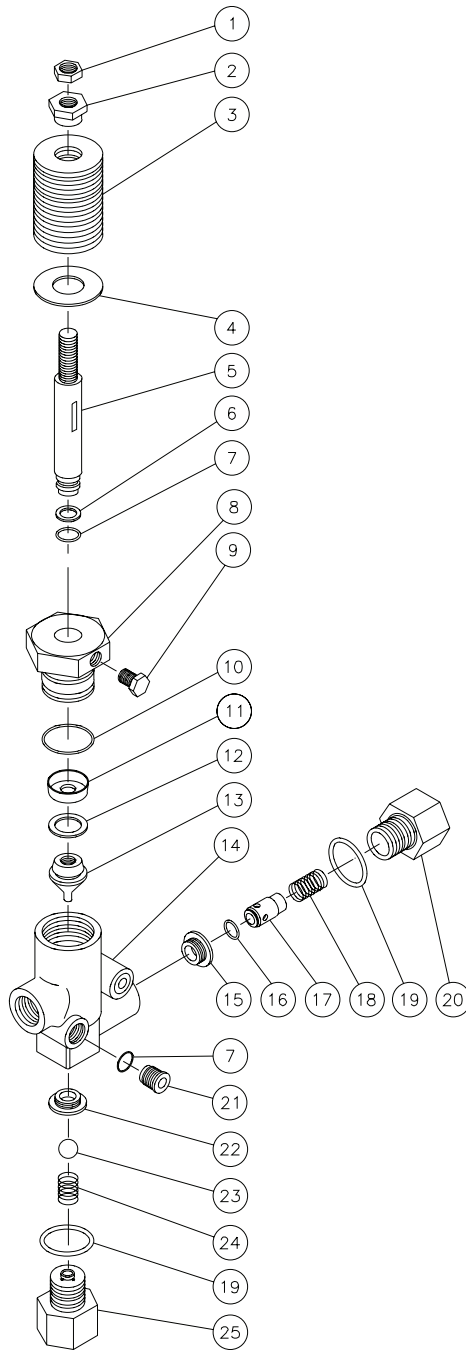


3-0202_3-0203 042914 CH

PUMP ASSEMBLY							
ITEM	DESCRIPTION	PART #	QTY	ITEM	DESCRIPTION	PART #	QTY
1	VALVE CAP	46-0889	6	25	BEARING	48-0012	2
2	O-RING	25-0012	6	26	KEY	43-0048	1
3	VALVE (SEE KIT 70-0009)	22-0056	6	27	CRANKSHAFT	46-0050	1
4	MANIFOLD	46-0890	1	28	RETAINING RING	46-0103	6
5	WASHER	28-1039	8	29	CONNECTING ROD PIN	43-0032	3
6	BOLT	27-8185	8	30	OIL LEVEL INDICATOR	46-0114	1
7	WASHER	28-1038	2	31	PLUG	39-0017	1
8	PLUG	39-0019	2	32	O-RING	25-0014	4
9	WASHER	28-1002	2	33	BOLT	27-8404	5
10	PLUG	39-0018	2	34	CRANKCASE OPEN COVER	46-0295	1
11	HEAD RING (SEE KIT 70-0030 AND 852-0122)	70-0030	3	35	O-RING	25-0339	1
12	V-PACKING SUPPORT (SEE KIT 70-0147 AND 852-0122)	26-0098	3	36	BOLT	27-8435	6
13	O-RING (SEE KIT 70-0147 AND 70-0148 AND 852-0122)	25-0207	3	37	LOCKWASHER	29-0154	6
14	HIGH PRESSURE INTERMEDIATE SEAL RETAINER (SEE KIT 70-0148)	46-0659	3	38	CONNECTING ROD	46-0051	3
15	PRESSURE SEAL (SEE KIT 70-0147 AND 852-0122)	26-0197	3	39	PISTON ROD	46-0056	3
16	LOW PRESSURE SEAL RETAINER	46-0057	3	40	SLINGER WASHER	46-0146	3
17	O-RING (SEE KIT 852-0122)	25-0015	3	41	PLUNGER	46-0052	3
18	OIL SEAL	26-0047	3	42	BACK-UP RING	46-0109	3
19	BUSHING	9-0029	3	43	WASHER	28-0400	3
20	BOLT	27-8431	8	44	NUT / PISTON	46-0069	3
21	CRANKCASE COVER	46-0296	1	45	CRANKCASE	46-0047	1
22	SHIM	46-0113	1	46	OIL DIP STICK	46-0144	1
23	OIL SEAL	26-0049	1	47	CRANKCASE COVER	46-0336	1
24	O-RING	25-0013	2				

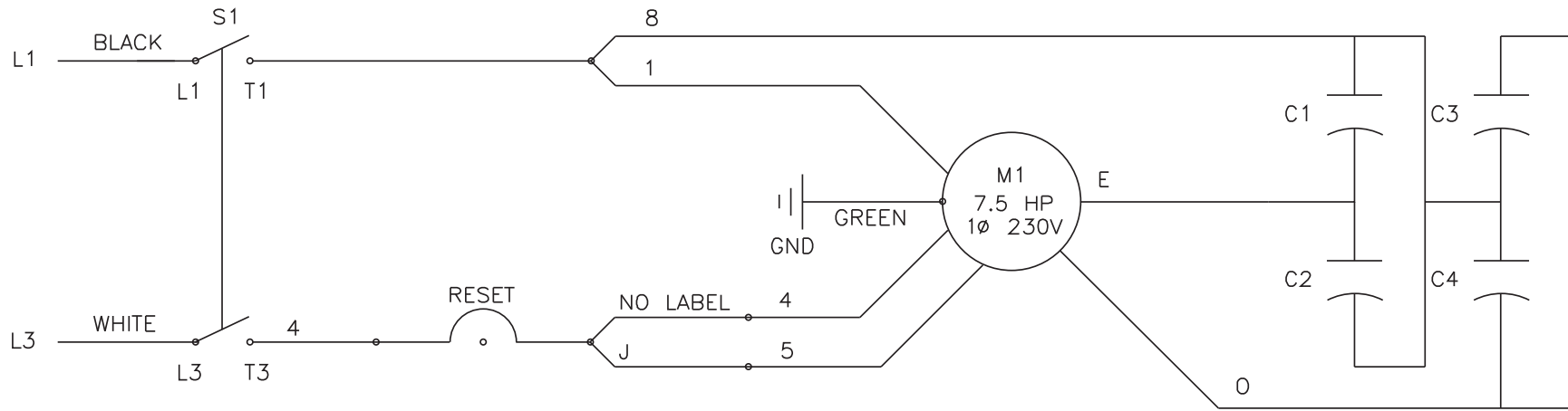
REPLACEMENT KITS				
KIT#	DESCRIPTION	ITEMS	# OF ASSEMBLIES	# OF CYLINDERS
70-0009	VALVES	3	6	3
70-0030	HEAD RING	11	3	3
70-0147	V-PACKING	12, 13, 15	3	3
70-0148	INTERMEDIATE RETAINER	13, 14	3	3
852-0122	V-PACKING ASSY	11-13, 15, 17	3	3

UNLOADER ASSEMBLY (8-0032)

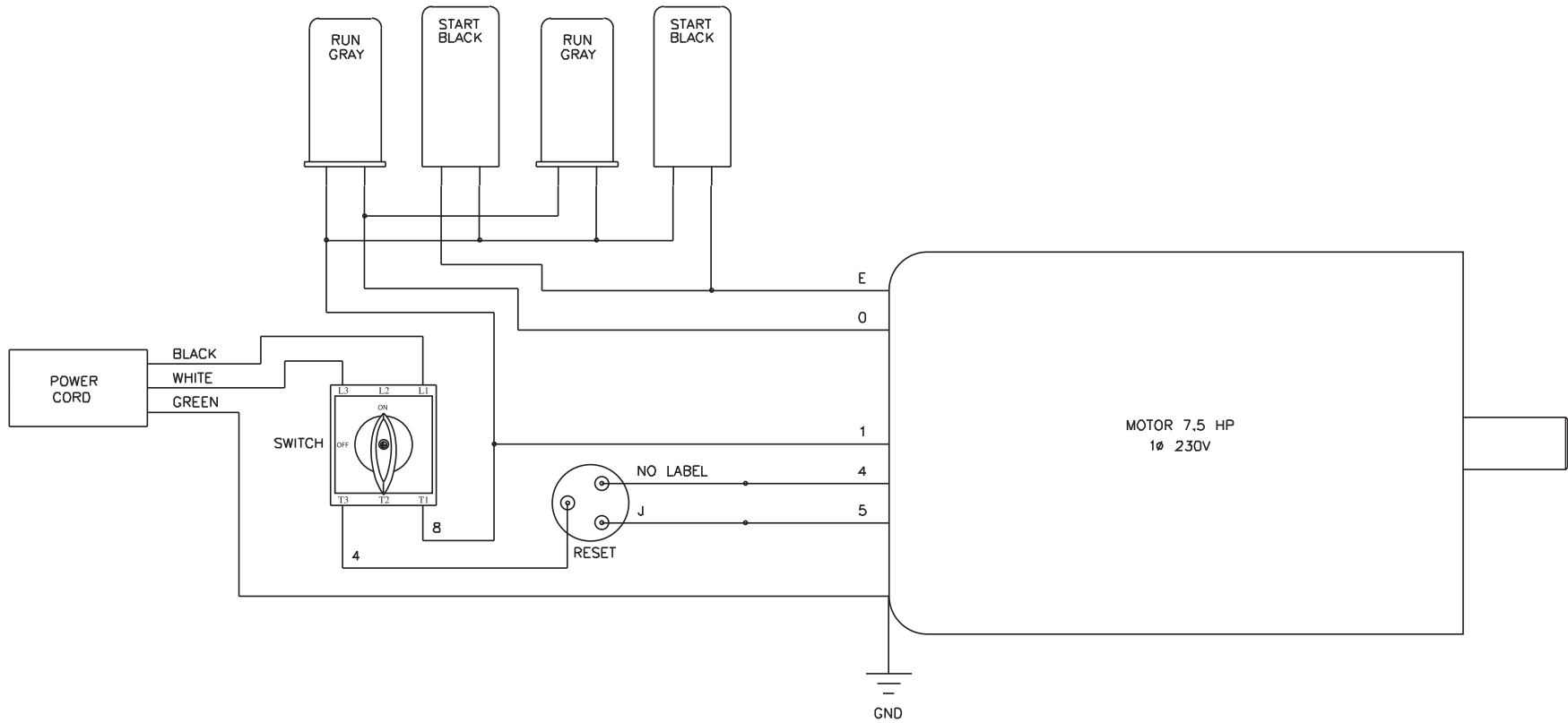


UNLOADER ASSEMBLY (8-0032)			
REF.#	DESCRIPTION	PART #	QTY.
1	Locknut	30-3058	1
2	Adjusting Nut	8-0089	1
3	Spring Washers - Orange	8-0009	15
4	Washer	28-0250	1
5	Valve Stem	8-0037	1
6	Backup Ring	8-0038	1
7	O-ring	25-0009	5
8	Valve Cap	8-0036	1
9	Set Screw	8-0084	1
10	O-ring	25-0008	1
11	Cup	8-0034	1
12	Back-up Ring	8-0040	1
13	Piston	8-0039	1
14	Valve Body	8-0164	1
15	Outlet Seat	8-0006	1
16	O-ring	25-0011	1
17	Outlet Valve	8-0004	1
18	Spring	49-0016	1
19	O-ring	25-0010	2
20	Outlet Retainer	8-0003	1
21	Brass Plug	8-0011	4
22	Valve Seat	8-0005	1
23	Ball	8-0041	1
24	Spring	49-0015	1
25	Inlet Retainer	8-0165	1
	Unloader Repair Kit (Inc. 6, 7, 10-12, 16 and 19)	70-0044	

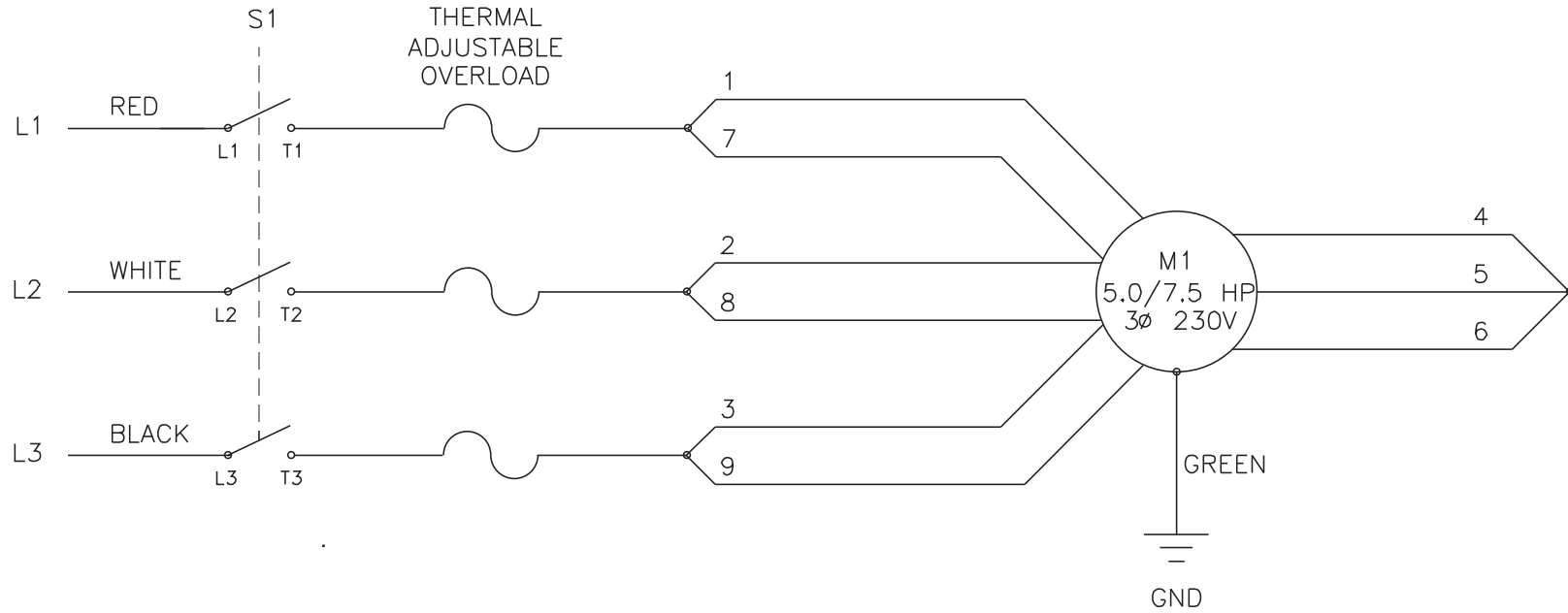
WIRING SCHEMATIC FOR CW-2405/3004-4ME1 (230 VOLT)



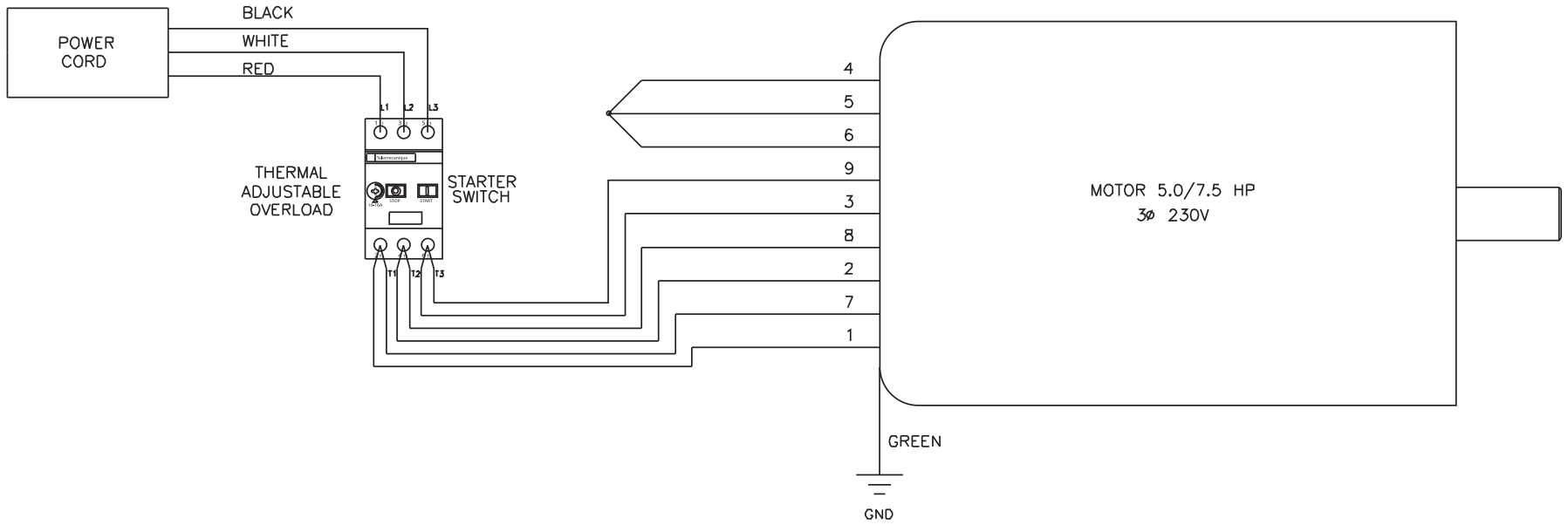
WIRING DIAGRAM FOR CW-2405/3004-4ME1 (230 VOLT)



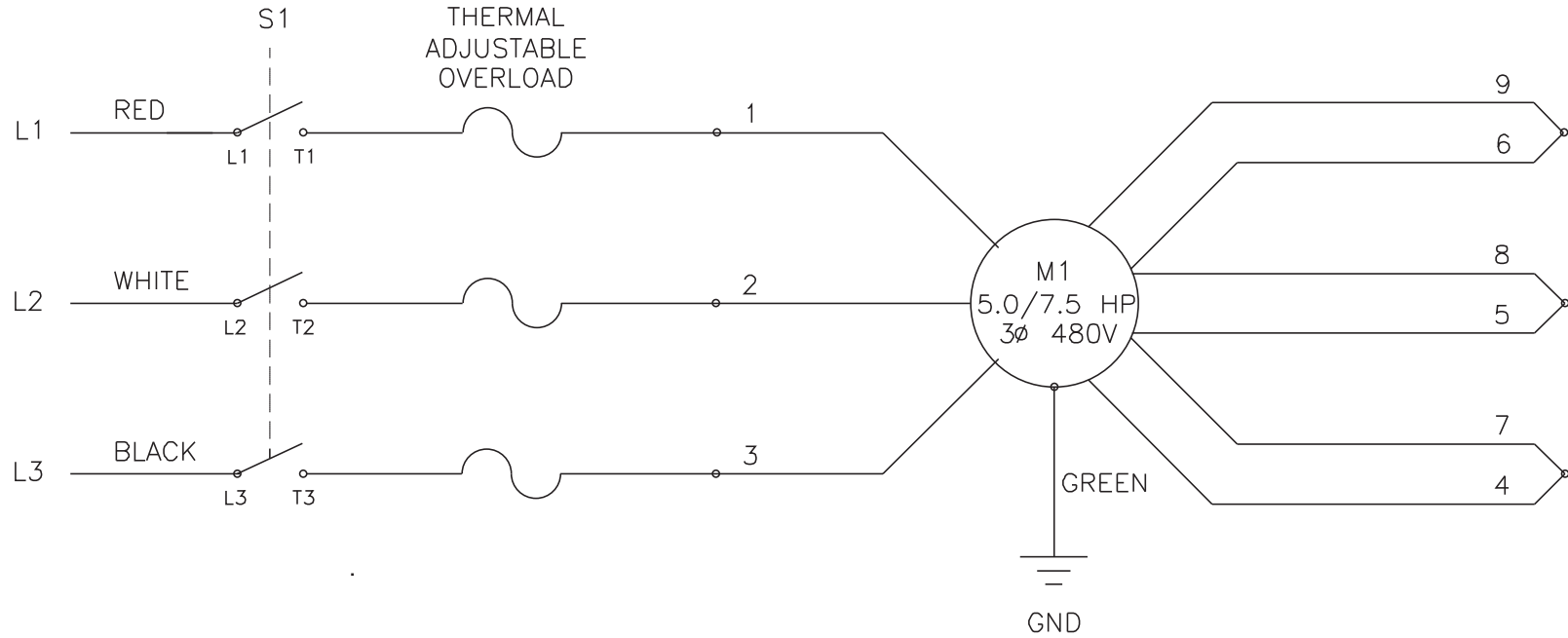
WIRING SCHEMATIC FOR CW-2405/3004-4ME3 (230 VOLT)



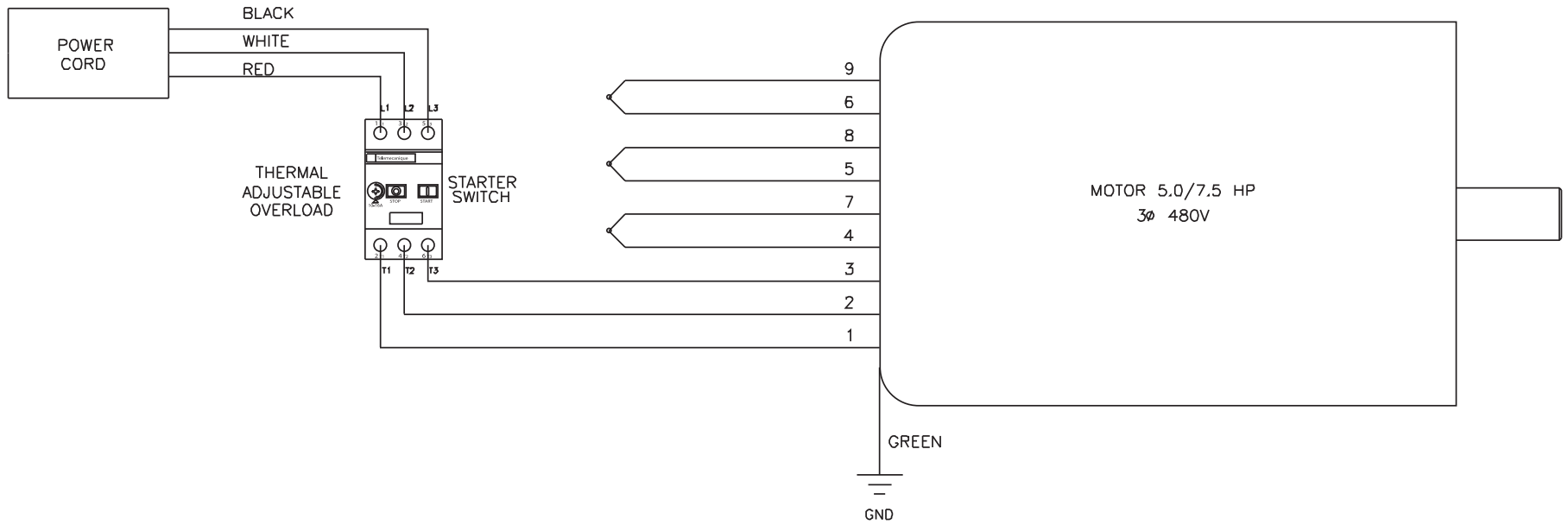
WIRING DIAGRAM FOR CW-2405/3004-4ME3 (230 VOLT)



WIRING SCHEMATIC FOR CW-2405/3004-4ME3 (CX-0003 OPTION) (460 VOLT)



WIRING DIAGRAM FOR CW-2405/3004-4ME3 (CX-0003 OPTION) (460 VOLT)



Manufactured by Mi-T-M
50 Mi-T-M Drive, Peosta IA 52068
563-556-7484/ Fax 563-556-1235