



PARTS LIST FOR  
***WP-4200-0MHB***  
***WP-4200-0MKB***  
***WP-4200-0MSB***

ENGINE OIL GRADE:	SAE10W-30
ENGINE OIL CAPACITY:	Honda 37.2 oz. Kohler 37.2 oz. Subaru 40.6 oz
PUMP OIL GRADE:	Mi-T-M Pump Oil AW-4085-0016
PUMP OIL CAPACITY:	13.4 oz.
NOZZLE SIZE:	3.5

This Parts Listing has been compiled for your benefit. You can be assured your Mi-T-M Cold Water Pressure Washer was constructed and designed with quality and performance in mind using over 25 years experience in the pressure washer business. Each component has been rigorously tested to ensure the highest level of acceptance.

The contents of this Parts Listing are based on the latest product information available at the time of publication. Mi-T-M reserves the right to make changes in price, color, materials, equipment, specifications or models at any time without notice.

**WARNING**

THIS IS A HIGH PRESSURE, COLD WATER PRESSURE WASHER. CAUTION SHOULD BE OBSERVED WHEN USING OR REPAIRING THIS UNIT! READ AND FOLLOW THE SAFETY WARNINGS LISTED BELOW BEFORE ATTEMPTING ANY REPAIRS ON THIS PRESSURE WASHER!

**SAFETY WARNINGS**

1. NEVER alter or modify the equipment. Be sure any accessory items and system components being used will withstand the pressure developed. Use only genuine Mi-T-M parts for repair of your pressure washer. Failure to do so can cause hazardous operating conditions and will VOID warranty.
2. NEVER make adjustments on machinery while the unit is connected to the engine without first removing the ignition cable from the spark plug. Turning over the machinery by hand during adjustment or cleaning might start the engine and machinery with it, causing serious injury to the operator.
3. Know how to stop and bleed pressures quickly. Be thoroughly familiar with controls.
4. Before servicing the unit, turn unit off, relieve the water pressure and allow the unit to cool down. Do not make repairs while the unit is running. Service in a clean, dry, flat area. Be especially careful to properly dispose of any flammable materials.
5. After testing the machine, DO NOT leave the pressurized unit unattended. Shut off the unit and release trapped pressure before leaving.

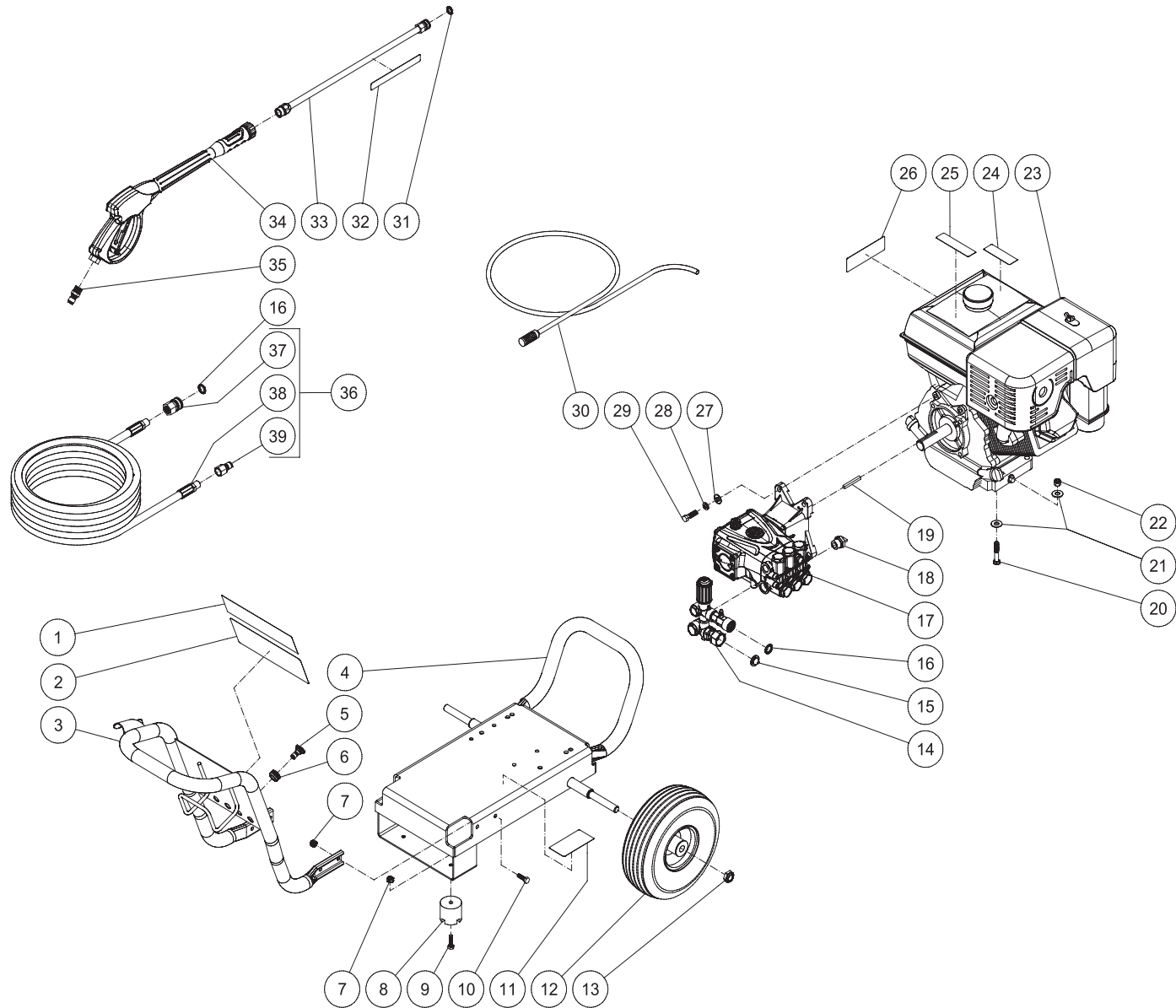
**Table of Contents**

**SPECIFICATIONS.....3**  
**FRAME ASSEMBLY .....4**  
**PUMP ASSEMBLY (3-0391) .....6**  
**UNLOADER ASSEMBLY (8-0632) .....8**

## SPECIFICATIONS

MODEL NUMBER	WP-4200-0MHB	WP-4200-0MKB	WP-4200-0MSB
Operating Pressure (PSI/Bar):	4200/289.6		
High Pressure Nozzle:	3.5		
Water Volume (GPM/lpm):	3.4/12.9		
Engine:	Honda	Kohler	Subaru
Model	GX390	CH440	EX40
Engine Type	4 Stroke, Overhead Valve, Single Cylinder		
Oil Type	SAE10W-30		
Oil Capacity (oz./liters)	37.2/1.1		40.6/1.2
Fuel Type	Unleaded Gasoline 86 Octane Minimum		
Low Oil Protection	Oil Alert™		Oil Sensor
Fuel Capacity (gallon/ liters)	1.61/6.1	1.7/6.5	1.85/7.0
Starting	Recoil		
Maximum No Load RPM	3600 (+/- 100) RPM		
Pump:	Direct Driven, Oil Bath, Triplex Piston		
Oil Type	Mi-T-M Pump Oil AW-4085-0016		
Oil Capacity (oz./liters)	13.4/0.4		
Plungers	Ceramic		
Manifold	Forged Brass		
Valves	Stainless Steel		
Unloader	Preset		
Heat Dump Valve	Relieves heated water during unloader bypass stage		
Detergent Injector	Low pressure down stream from pump		
Unit Net Weight (lbs/Kg)	150/68		
Unit Shipping Weight (lbs/Kg)	160/72.6		
Unit Net Dimension (in/cm)	25.83Lx22.5Wx25.18H/65.61Lx57.15Wx63.96H		
Unit Shipping Dimension (in/cm)	32Lx22.625Wx27.5H/81.28Lx57.47Wx69.85H		

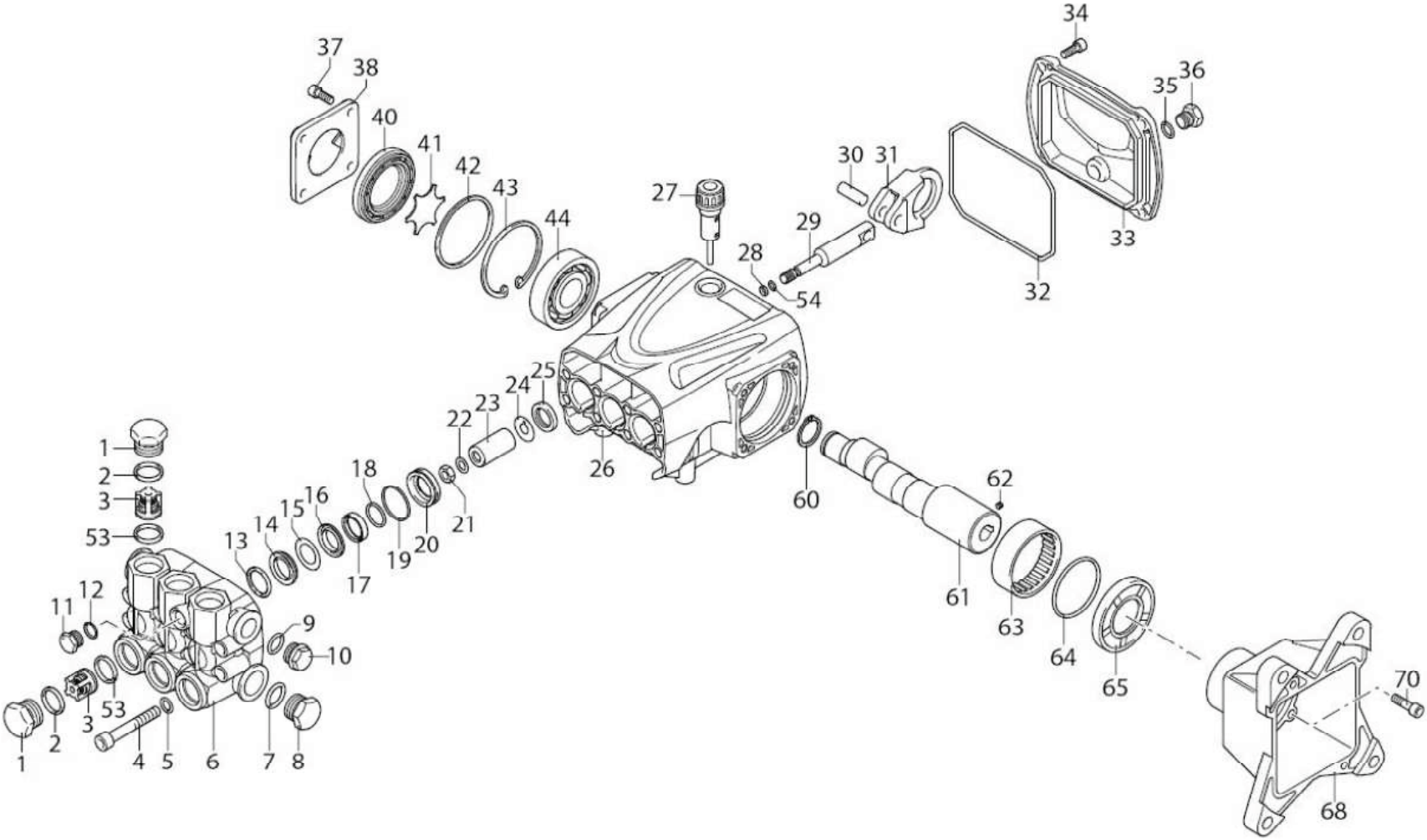
# FRAME ASSEMBLY



WP-4000-5MHB\_K\_S 010215 RSW

WP-4000-5MHB_K_S 010215 RSW			
FRAME ASSEMBLY			
ITEM	DESCRIPTION	PART #	QTY
1	DECAL	34-3228	1
2	DECAL - WARNING/CAUTION/OPERATION (SEE 71-1049)	N/A	1
3	HANDLE	7-0256A01	1
4	FRAME	5-0254A53	1
5	NOZZLE 65400 QC DETERGENT	18-0386	1
-	NOZZLE 15035 QC	18-0393	1
-	NOZZLE 25035 QC	18-0395	1
6	GROMMET	33-0001	5
7	LOCKNUT	30-0157	6
8	ISOLATOR	14-0008	2
9	BOLT	27-0068	2
10	BOLT	27-0067	4
11	DECAL- SILVER STICKER	N/A	1
12	WHEEL	14-0130	2
13	LOCKNUT	30-0117	2
14	UNLOADER	8-0632	1
15	FILTER	19-0001	1
16	O-RING	25-0123	2
17	PUMP	3-0391	1
18	RELIEF VALVE	22-0005	1
19	KEY	43-0078	1
20	BOLT	27-0121	4
21	WASHER	28-0023	8
22	LOCKNUT	30-0159	4
23	ENGINE - HONDA	1-0086	1
-	ENGINE - SUBARU	1-0176	1
-	ENGINE - KOHLER	1-0208	1
24	DECAL - RISK OF FIRE (SEE 71-1049)	N/A	1
25	DECAL - RISK OF BURNS (SEE 71-1049)	N/A	1
26	DECAL (SEE KIT 71-1049)	N/A	1
27	WASHER	28-0022	4
28	LOCKWASHER	29-0008	4
29	BOLT	27-0118	4
30	DETERGENT HOSE	19-0233	1
31	O-RING	25-0122	1
32	DECAL - RISK OF INJECTION (SEE 71-1049)	N/A	1
33	LANCE ASSEMBLY	16-0366	1
34	GUN & WAND - 4000 PSI	16-0441	1
35	QUICK CONNECT	17-0005	1
36	HOSE ASSEMBLY	15-0270	1
37	QC SOCKET	17-0004	1
38	HOSE	15-0270	1
39	QUICK CONNECT	17-0006	1
-	DECAL SET	71-1049	1

PUMP ASSEMBLY (3-0391)

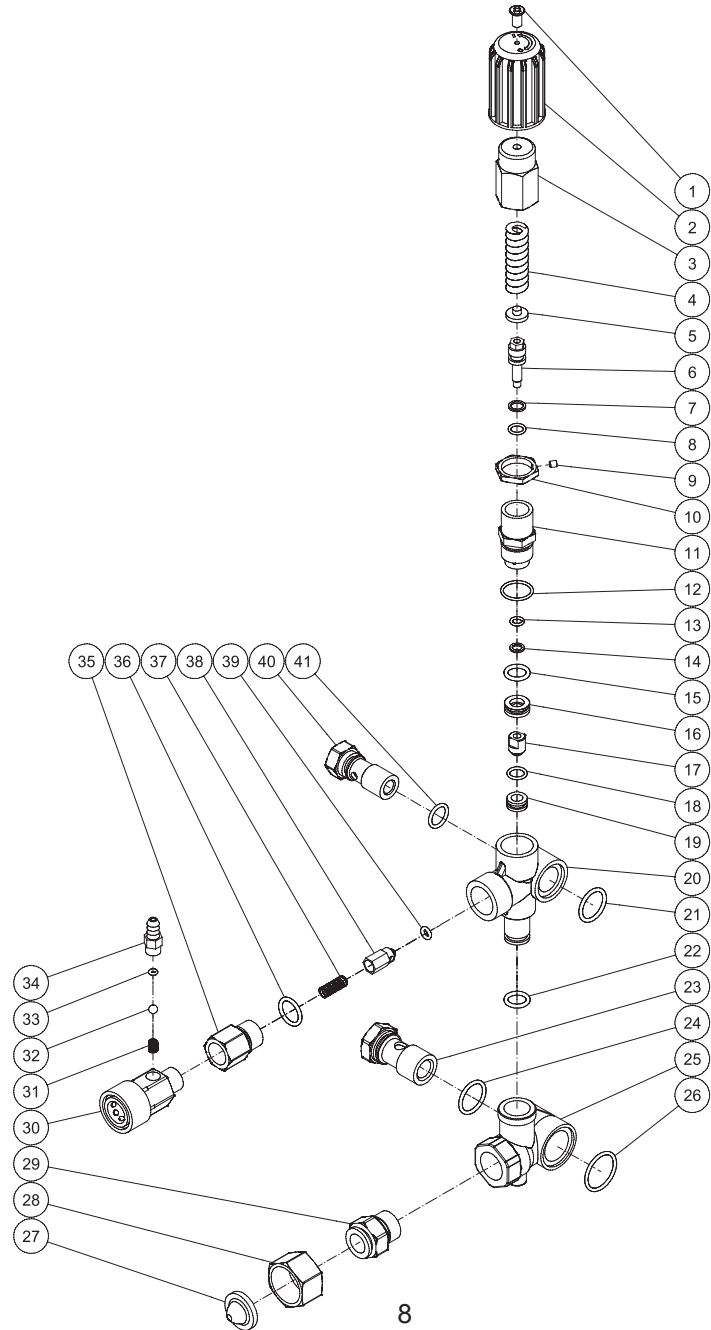


3-0391-042313-ALC

PUMP ASSEMBLY							
ITEM	DESCRIPTION	MI-T-M #	QTY	ITEM	DESCRIPTION	MI-T-M #	QTY
1	VALVE CAP	39-0095	6	28	O-RING (SEE KIT 70-0592)	25-0371	3
2	O-RING (SEE KIT 70-0592)	SEE KIT	6	29	PISTON GUIDE	-	3
3	COMPLETE VALVE (SEE KIT 70-0179)	SEE KIT	6	30	CON-ROD PIN	-	3
4	SCREW	-	8	31	CON-ROD	-	3
5	WASHER	-	8	32	O-RING (SEE KIT 70-0592)	SEE KIT	1
6	HEAD	-	1	33	REAR COVER	46-1482	1
7	O-RING (SEE KIT 70-0592)	25-0372	1	34	SCREW	27-8888	4
8	PLUG	39-0202	1	35	O-RING (SEE KIT 70-0592)	25-0387	1
9	O-RING (SEE KIT 70-0592)	25-0510	1	36	PLUG	39-0096	1
10	PLUG	39-0203	1	37	SCREW	27-8888	4
11	PLUG	39-0096	1	38	CRANKCASE COVER	46-1453	1
12	O-RING	25-0387	1	40	OIL INDICATOR	46-1483	1
13	RING (SEE KIT 70-0460)	SEE KIT	3	41	OIL DISC	46-1451	1
14	GASKET (SEE KIT 70-0590)	SEE KIT	3	42	O-RING (SEE KIT 70-0592)	SEE KIT	1
15	RING (SEE KIT 70-0590)	SEE KIT	3	43	SNAP RING	46-1484	1
16	PISTON GUIDE (SEE KIT 70-0460)	SEE KIT	3	44	BALL BEARING	48-0094	1
17	GASKET (SEE KIT 70-0590)	SEE KIT	3	53	O-RING (SEE KIT 70-0179)	25-0386	6
18	RING (SEE KIT 70-0590)	SEE KIT	3	54	BACKUP RING	25-0395	3
19	O-RING (SEE KIT 70-0590 AND KIT 70-0592)	25-0149	3	60	CIRCLIP	46-1485	1
20	PISTON GUIDE (SEE KIT 70-0460)	SEE KIT	3	61	CRANKSHAFT - HOLLOW	-	1
21	NUT	30-6016	3	62	GRUB SCREW	27-8886	1
22	WASHER	26-0187	3	63	BALL BEARING	48-0095	1
23	PISTON	46-0723	3	64	O-RING	25-0657	1
24	SPACER	28-1027	3	65	SNAP RING (SEE KIT 70-0591)	46-1486	1
25	OIL SEAL (SEE KIT 70-0591)	26-0193	3	68	FLANGE	46-1487	1
26	PUMP BODY	-	1	70	SCREW	27-8812	4
27	OIL DIPSTICK	39-0090	1				

REPLACEMENT KITS				
Mi-T-M KIT#	DESCRIPTION	ITEMS	# OF ASSEMBLIES	# OF CYLINDERS
70-0179	KIT - VALVES	3, 53	6, 6	3
70-0590	KIT - WATER SEALS	14, 15, 17, 18, 19	3, 3, 3, 3, 3	3
70-0591	KIT - OIL SEALS	25, 65	3, 1	3
70-0592	KIT - O-RINGS	2, 7, 9, 19, 28 32, 35, 42	6, 1, 1, 3, 3, 1, 1, 1	3
70-0460	KIT - SUPPORT RINGS	13	3	3
70-0619	KIT - PISTON GUIDE	16, 20	3	3

# UNLOADER ASSEMBLY (8-0632)



8-0632 102714 JDK



UNLOADER ASSEMBLY							
ITEM	DESCRIPTION	PART #	QTY	ITEM	DESCRIPTION	PART #	QTY
1	SCREW (SEE KIT 70-0647)	27-2772	1	21	O-RING	25-0664	1
2	KNOB (SEE KIT 70-0647)	7-0250	1	22	O-RING	25-0684	1
3	KNOB (SEE KIT 70-0647)	SEE KIT	1	23	INLET BANJO BOLT	8-0595	1
4	SPRING (SEE KIT 70-0647)	SEE KIT	1	24	O-RING	25-0602	1
5	SPRING SEAT (SEE KIT 70-0647)	SEE KIT	1	25	BY PASS HOUSING	N/A	1
6	VALVE ROD (SEE KIT 70-0647)	SEE KIT	1	26	O-RING	25-0654	1
7	SUPPORT RING (SEE KIT 70-0647)	SEE KIT	1	27	FILTER (SEE KIT 23-0095)	19-0001	1
8	O-RING (SEE KIT 70-0647)	25-0651	1	28	SWIVEL NUT (SEE KIT 23-0095)	SEE KIT	1
9	SET SCREW (SEE KIT 70-0647)	8-0479	1	29	INLET CONNECTOR (SEE KIT 23-0095)	SEE KIT	1
10	JAM NUT (SEE KIT 70-0647)	SEE KIT	1	30	QC ADAPTER (SEE KIT 70-0499)	SEE KIT	1
11	UNLOADER VALVE BODY (SEE KIT 70-0647)	SEE KIT	1	31	SPRING (SEE KIT 70-0293 AND 70-0499)	SEE KIT	1
12	O-RING (SEE KIT 70-0647)	25-0652	1	32	BALL (SEE KIT 70-0293 AND 70-0499)	SEE KIT	1
13	O-RING (SEE KIT 70-0647)	25-0163	1	33	O-RING (SEE KIT 70-0293 AND 70-0499)	SEE KIT	1
14	SUPPORT RING (SEE KIT 70-0647)	SEE KIT	1	34	HOSE BARB (SEE KIT 70-0499)	46-0869	1
15	O-RING (SEE KIT 70-0647)	25-0655	1	35	OUTLET CONNECTOR	46-1389	1
16	BY PASS JET UNLOADER (SEE KIT 70-0647)	SEE KIT	1	36	O-RING	25-0386	1
17	BULLET (SEE KIT 70-0647)	SEE KIT	1	37	SPRING (SEE KIT 70-0500)	SEE KIT	1
18	O-RING (SEE KIT 70-0647)	25-0656	1	38	CHECKING VALVE (SEE KIT 70-0500)	SEE KIT	1
19	VALVE SEAT (SEE KIT 70-0647)	SEE KIT	1	39	O-RING (SEE KIT 70-0500)	25-0653	1
20	VALVE HOUSING	N/A	1	40	OUTLET BANJO BOLT	8-0594	1

REPLACEMENT KITS			
KIT #	DESCRIPTION	ITEMS	# OF ASSEMBLIES
23-0095	KIT - GARDEN HOSE INLET ASSY	27-29	1
70-0293	KIT - INJECTOR REPAIR	31-33	1
70-0499	KIT - OUTLET QC W/CHEM INJ	30-34	1
70-0500	KIT - NON-RETURN VALVE	37-39	1
70-0647	KIT - UNLOADER REBUILD	1-19	1

Manufactured by Mi-T-M  
8650 Enterprise Drive, Peosta IA 52068  
563-556-7484/ Fax 563-556-1235