



PARTS LIST FOR
WTR-10-OM10
WTR-10-OM30
WATER RECYCLING TREATMENT SYSTEM

Congratulations on the purchase of your new Mi-T-M water treatment system! This parts listing has been compiled for your benefit. You can be assured your Mi-T-M water treatment system was constructed and designed with quality and performance in mind. Each component has been rigorously tested to insure the highest level of acceptance.

The contents of this parts listing are based on the latest product information available at the time of publication. Mi-T-M reserves the right to make changes in price, color, materials, equipment, specifications or models at any time without notice.

WARNING

THIS IS A PROFESSIONAL WATER TREATMENT SYSTEM. CAUTION SHOULD BE OBSERVED WHEN USING OR REPAIRING THIS UNIT! READ AND FOLLOW THE SAFETY WARNINGS LISTED BELOW BEFORE ATTEMPTING ANY REPAIRS ON THIS WATER TREATMENT SYSTEM!

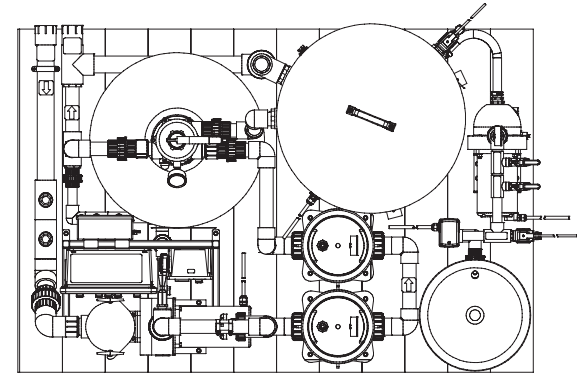
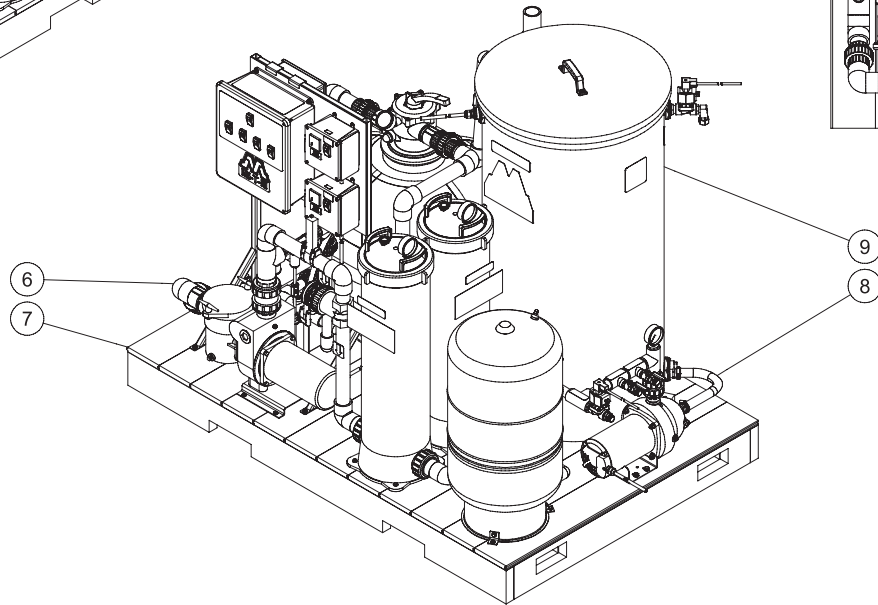
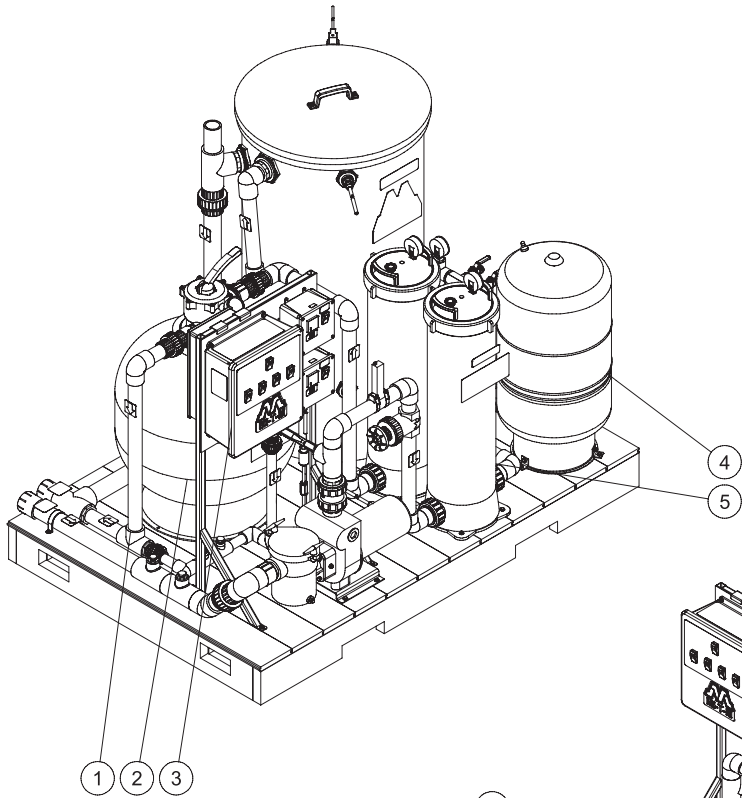
SAFETY WARNINGS

1. Serious injury or death could occur if the water treatment system is not properly grounded. Your water treatment system is powered by electricity and may cause electric shock or electrocution if not installed properly. Installation to this unit, including all electrical connections, must comply with all local, state and national codes. Any electrical wiring or repairs performed on this water treatment system should be done by Authorized Service Personnel in accordance with National and Local electrical codes.
2. NEVER alter or modify the equipment. Use only genuine Mi-T-M parts for repair of your water treatment system. Failure to do so can cause hazardous operating conditions and will VOID warranty.
3. Know how to stop and bleed pressures quickly. Be thoroughly familiar with controls. Do not operate without protective cover/guards. Follow the maintenance instructions specified in your operator's manual.
4. Before servicing, ALWAYS shut off the water and the unit. Allow the unit to cool down. NEVER assume the water treatment system is safe to work on just because it is not operating. It could restart at any time! ALWAYS disconnect from the power source. Service in a clean, dry flat area.
5. Be especially careful it properly dispose of any flammable materials. Consult Materials Safety Data Sheets for safe handling of chemicals used with your system, especially oxidizers and acids.

Table of Contents

MAIN ASSEMBLY	4
PRODUCT TANK ASSEMBLY	6
FILTER PUMP ASSEMBLY	8
FILTER PUMP (3-0317) (THREE PHASE)	10
FILTER PUMP (3-0328) (SINGLE PHASE)	11
CARTRIDGE FILTER ASSEMBLY	12
CARTRIDGE FILTER (19-0632)	14
POLISHING FILTER TO TANK ASSEMBLY	16
24" MEDIA FILTER	18
DRAIN LINE ASSEMBLY	20
TRANSFER PUMP ASSEMBLY	22
TRANSFER PUMP (3-0186) (SINGLE PHASE)	24
TRANSFER PUMP (3-0432) (THREE PHASE)	26
PRESSURE TANK ASSEMBLY	28
CONTROL PANEL BRACKET ASSEMBLY	30
CONTROL PANEL ASSEMBLY (SINGLE PHASE)	32
CONTROL PANEL ASSEMBLY (THREE PHASE)	34
PH AND ORP CONTROL BOX 120V	36
PH / ORP PUMP (3-316)	38
SUMP PIT ASSEMBLY	40
WIRING SCHEMATIC WTR-10-0M10 SINGLE PHASE	42
WIRING DIAGRAM WTR-10-0M10 SINGLE PHASE	43
WIRING SCHEMATIC WTR-10-0M30 THREE PHASE	44
WIRING DIAGRAM WTR-10-0M30 THREE PHASE	45
WIRING SCHEMATIC WX-0130, WX-0131	46
WIRING DIAGRAM WX-0130, WX-0131	47

MAIN ASSEMBLY

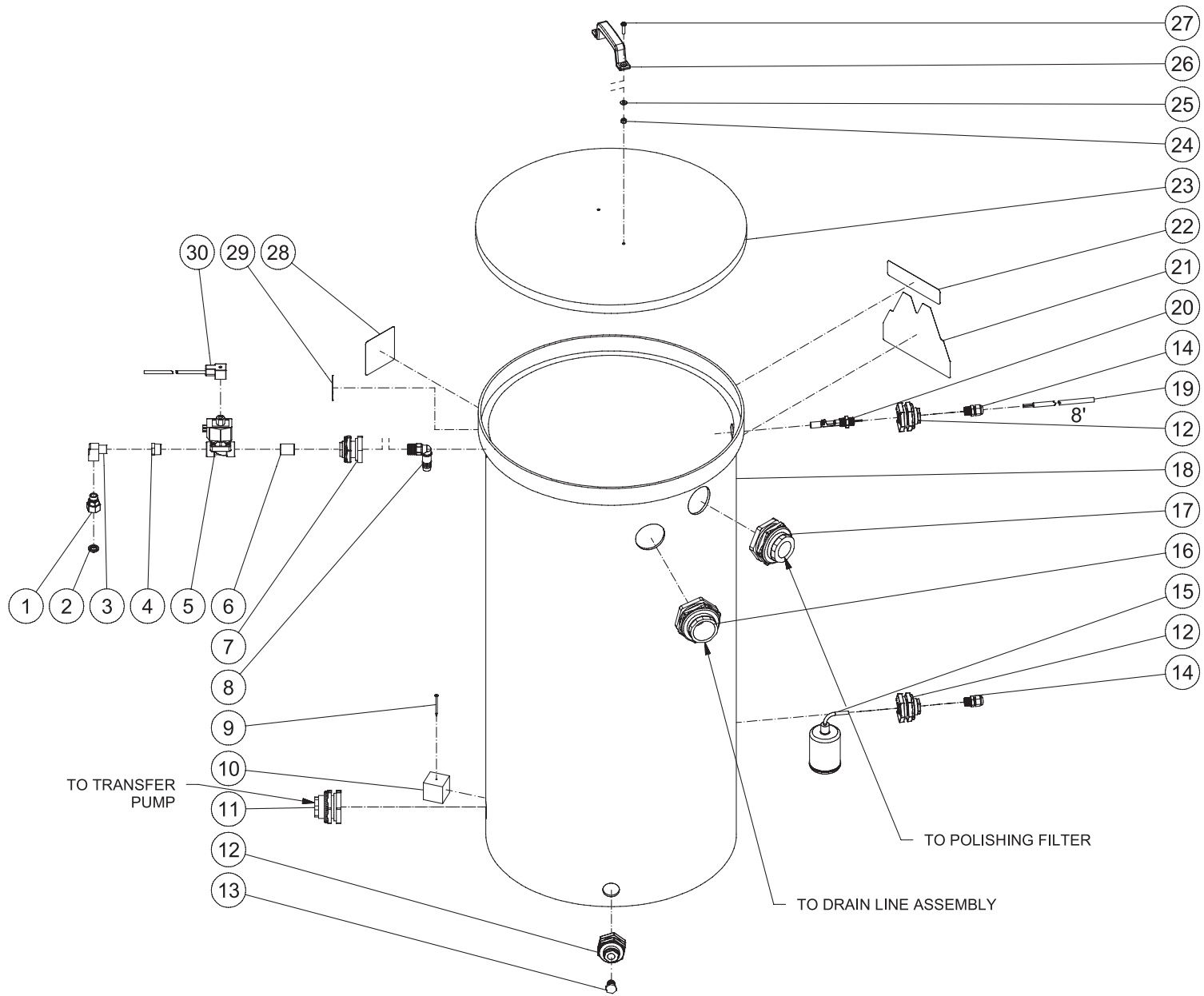


WTR-10-0M10 020416 MLK

MAIN ASSEMBLY

ITEM	DESCRIPTION	PART #	QTY
1	DRAIN LINE ASSEMBLY	N/A SEP.	1
2	POLISHING FILTER TO TANK ASSY	N/A SEP.	1
3	BRACKET ASSEMBLY	N/A SEP.	1
4	PRESSURE TANK ASSY.	N/A SEP.	1
5	CARTRIDGE FILTER ASSEMBLY	N/A SEP.	1
6	PUMP INLET	N/A SEP.	1
7	4' X 6' PALLET	35-0062	1
8	TRANSFER PUMP ASSEMBLY	N/A SEP.	1
9	PRODUCT TANK	N/A SEP.	1

PRODUCT TANK ASSEMBLY

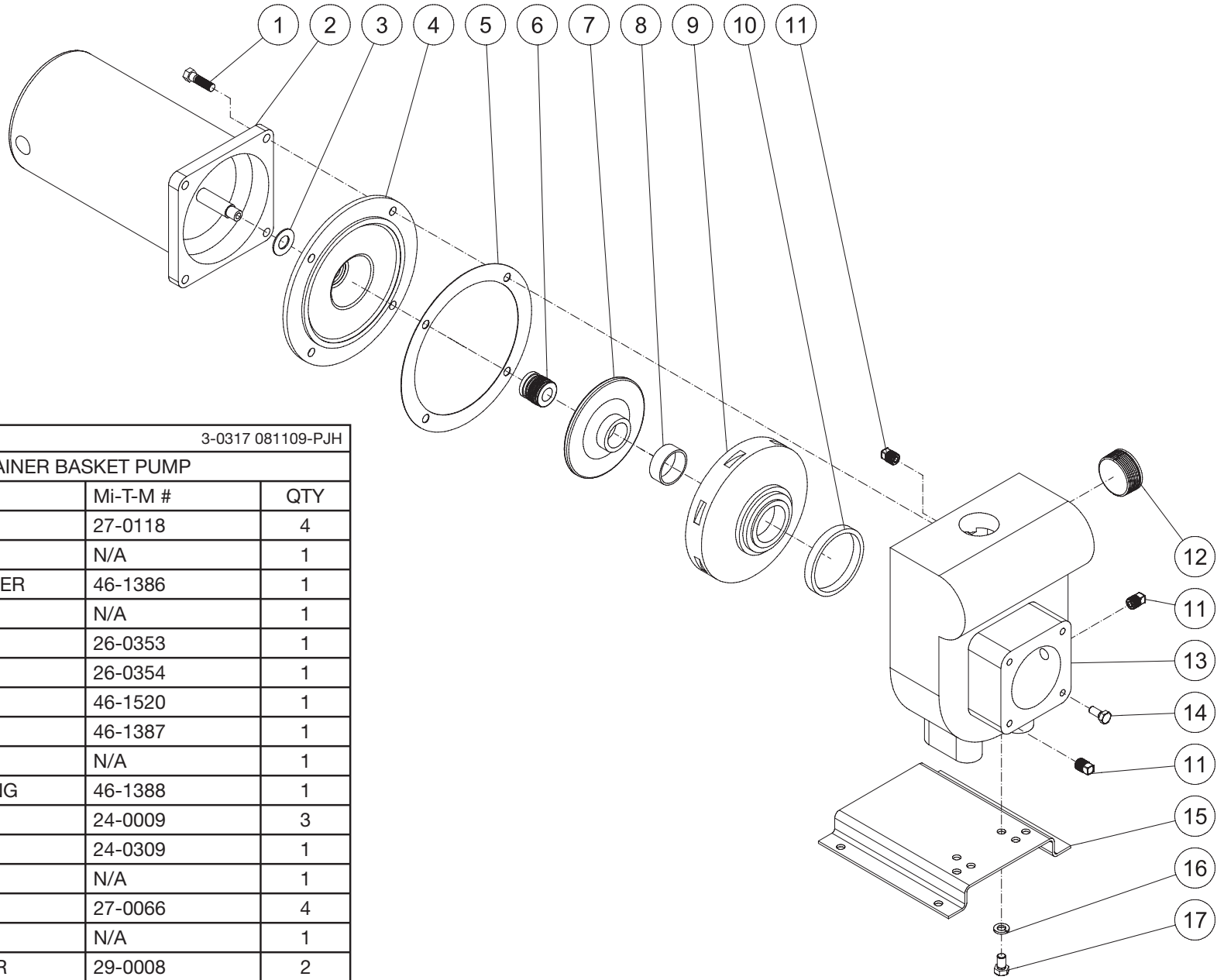


PRODUCT TANK ASSEMBLY - WTR-10 021016 MLK

PRODUCT TANK ASSEMBLY - WTR-10 021016 MLK			
PRODUCT TANK ASSEMBLY			
ITEM	DESCRIPTION	PART #	QTY
1	GARDEN HOSE ASSY.	23-0095	1
2	FILTER	19-0001	1
3	ELBOW	23-0035	1
4	BUSHING	23-0023	1
5	SOLENOID	22-0502	1
6	NIPPLE	23-0003	1
7	BULKHEAD	55-0010	1
8	ELBOW	55-0069	1
9	SCREW	27-8925	3
10	BLOCK	35-003404	3
11	BULKHEAD (INC. 25-0482 GASKET)	55-1286	1
12	BULKHEAD (INC. 25-0506 GASKET)	55-0886	3
13	PLUG	55-0840	1
14	STRAIN RELIEF	32-0437	2
15	FLOAT	32-0527	1
16	BULKHEAD (INC. 25-0481 GASKET)	55-1886	1
17	BULKHEAD (INC. 25-0481 GASKET)	55-1686	1
18	PRODUCT TANK	12-0094	1
19	CORD	32-0075	1
20	SWITCH	32-0533	1
21	DECAL - #5M	34-2171	1
22	DECAL - PRODUCT TANK (SEE 71-0153)	N/A	1
23	COVER/LID	12-0097	1
24	LOCKNUT	30-5155	2
25	WASHER	28-0121	2
26	HANDLE	7-0164	1
27	BOLT	27-5018	2
28	DECAL - NONPOTABLE WATER (SEE 71-0153)	N/A	1
29	DECAL - FRESH WATER INLET (SEE 71-0153)	N/A	1
30	CORDSET	32-0786	1
-	DECAL SET	71-0153	1

FILTER PUMP ASSEMBLY - WTR-10 020916 MLK			
FILTER PUMP ASSEMBLY			
ITEM	DESCRIPTION	PART #	QTY
1	*PIPE 1 1/2" (THREE FEET REQUIRED)	55-1600	1
2	ELBOW	55-1609	3
3	DECAL	34-0883	2
4	GATE VALVE	55-1671	1
5	HOSE CLAMP	42-0027	2
6	FLOW METER	55-0016	1
7	*PIPE 1 1/2" CLEAR (TWO FEET REQUIRED)	55-1685	1
8	TEE	55-1601	1
9	BALL CHECK VALVE	55-1653	1
10	NIPPLE	55-1674	1
11	STRAIN RELIEF	32-0437	1
12	CORD (0M10) *(SIX FEET REQUIRED)	32-0074	1
-	CORD (0M30) *(SIX FEET REQUIRED)	32-0247	1
13	PUMP (0M10)	3-0328	1
-	PUMP (0M30)	3-0317	1
14	TRAP & BASKET	33-0491	1
-	GASKET FOR 33-0491	26-0356	1
15	ADAPTER	55-1822	1
16	*PIPE 2" (FOUR FEET REQUIRED)	55-1800	1
17	ELBOW	55-1809	1
18	UNION	55-1845	1
19	ELBOW	55-1812	1
20	REDUCER	55-1229	2
21	PLUG	55-0840	2
22	CLAMP	42-0025	1
23	DECAL - INLET (SEE 71-0153)	34-0892	1
24	SCREW	27-9594	2
25	ADAPTER	55-1821	1
26	TEE	55-1804	2
27	WASHER	28-0121	4
28	BOLT	27-5277	4
-	DECAL SET	71-0153	1
*MUST ORDER IN ONE FOOT LENGTHS			

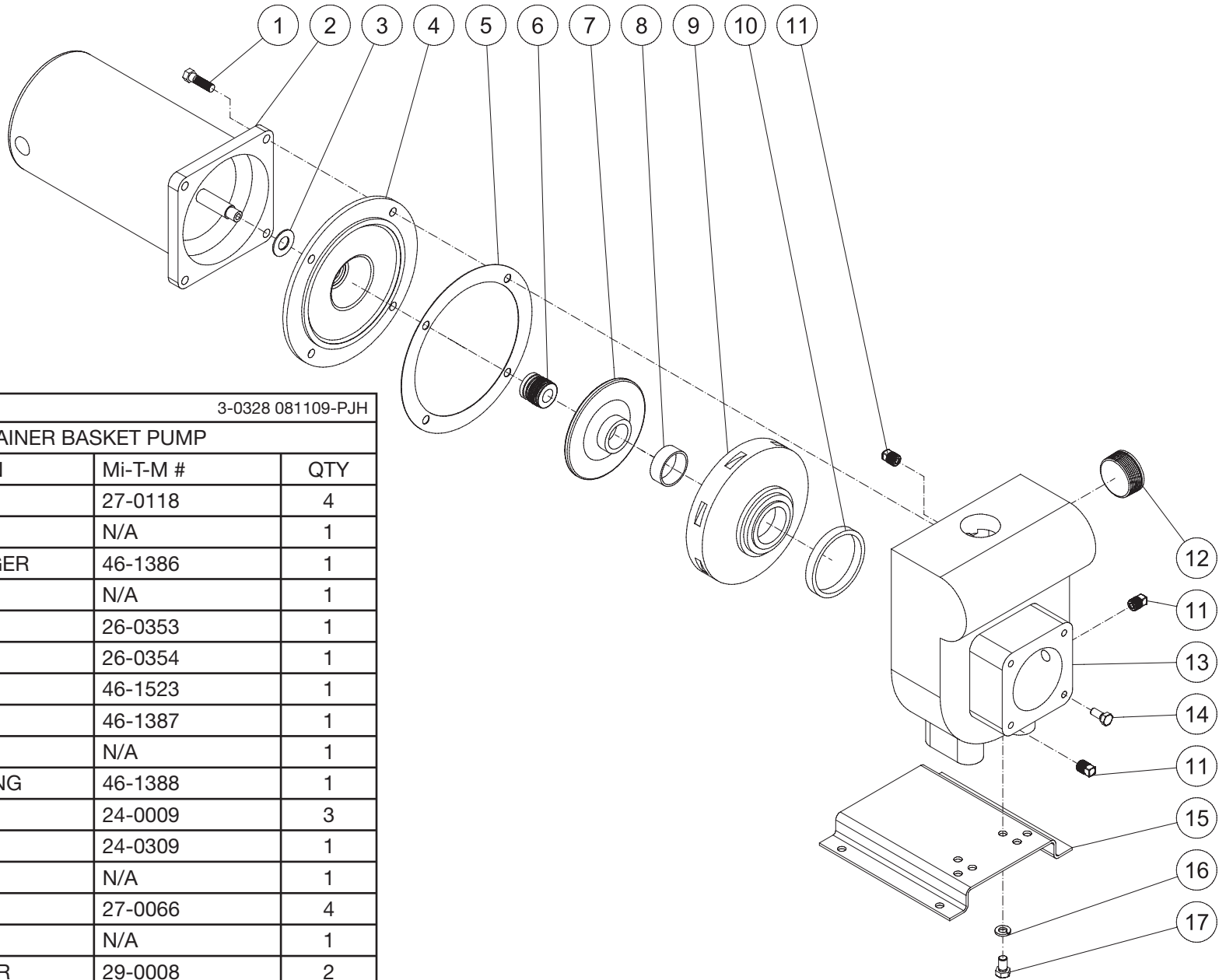
FILTER PUMP (3-0317) (THREE PHASE)



3-0317 081109-PJH			
STRAINER BASKET PUMP			
ITEM	DESCRIPTION	Mi-T-M #	QTY
1	BOLT	27-0118	4
2	PUMP/FILTER	N/A	1
3	WATER SLINGER	46-1386	1
4	SEAL PLATE	N/A	1
5	GASKET	26-0353	1
6	SHAFT SEAL	26-0354	1
7	IMPELLER	46-1520	1
8	WEAR RING	46-1387	1
9	DIFFUSER	N/A	1
10	DIFFUSER RING	46-1388	1
11	PLUG	24-0009	3
12	PLUG	24-0309	1
13	PUMP BODY	N/A	1
14	BOLT	27-0066	4
15	BASE	N/A	1
16	LOCKWASHER	29-0008	2
17	BOLT	N/A	2

3-0317 081109 PJH

FILTER PUMP (3-0328) (SINGLE PHASE)

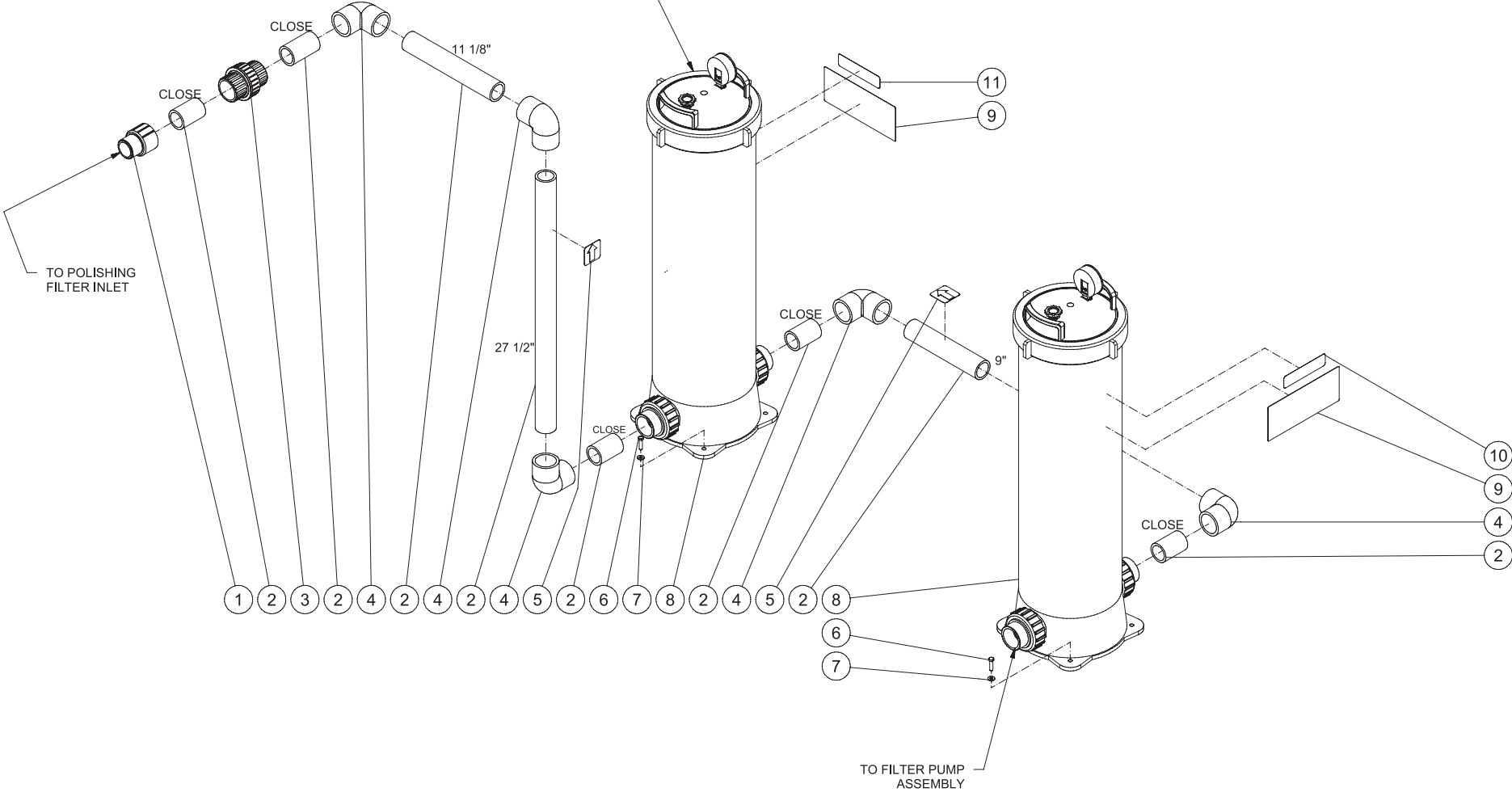


3-0328 081109-PJH			
STRAINER BASKET PUMP			
ITEM	DESCRIPTION	Mi-T-M #	QTY
1	BOLT	27-0118	4
2	PUMP/FILTER	N/A	1
3	WATER SLINGER	46-1386	1
4	SEAL PLATE	N/A	1
5	GASKET	26-0353	1
6	SHAFT SEAL	26-0354	1
7	IMPELLER	46-1523	1
8	WEAR RING	46-1387	1
9	DIFFUSER	N/A	1
10	DIFFUSER RING	46-1388	1
11	PLUG	24-0009	3
12	PLUG	24-0309	1
13	PUMP BODY	N/A	1
14	BOLT	27-0066	4
15	BASE	N/A	1
16	LOCKWASHER	29-0008	2
17	BOLT	N/A	2

3-0328 081109 PJH

CARTRIDGE FILTER ASSEMBLY

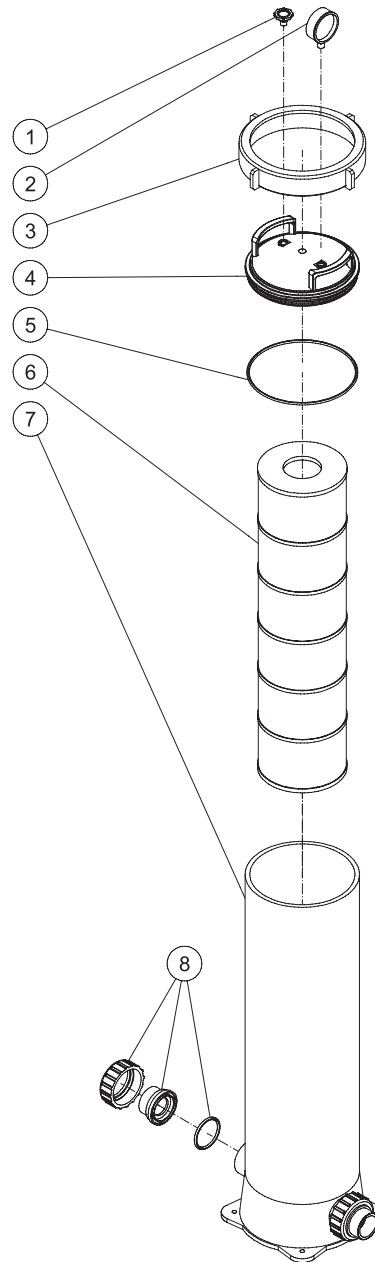
NOTE: REPLACE 19-0274 MICRON FILTER WITH 19-0282 FILTER



CARTRIDGE FILTER ASSEMBLY - WTR - 10 033116 MLK

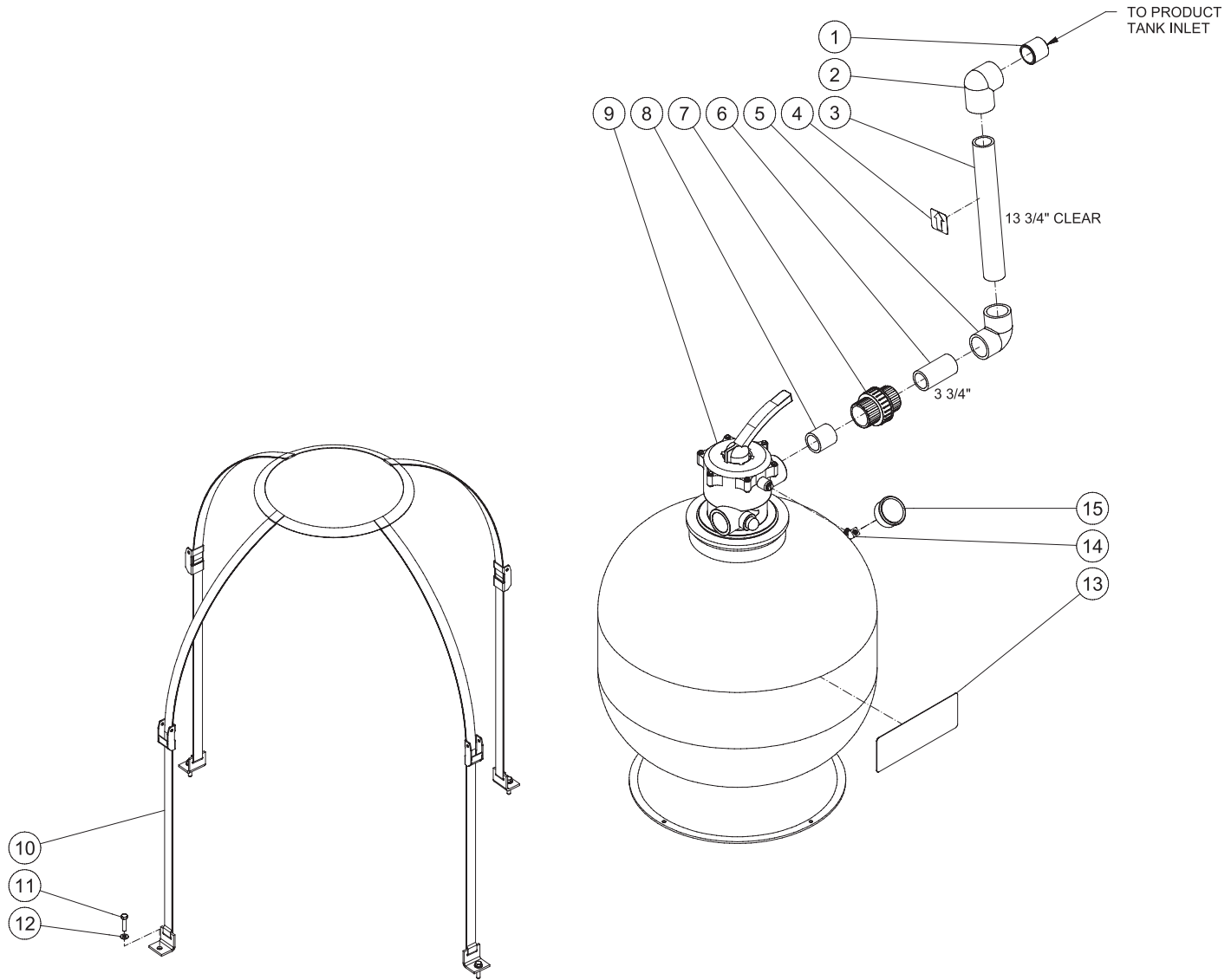
CARTRIDGE FILTER ASSEMBLY - WTR - 10 033116 MLK			
CARTRIDGE FILTER ASSEMBLY			
ITEM	DESCRIPTION	PART #	QTY
1	ADAPTER	55-1622	1
2	*PIPE 1 1/2" (SIX FEET REQUIRED)	55-1600	1
3	UNION	55-1645	1
4	ELBOW	55-1609	5
5	DECAL	N/A	2
6	BOLT	27-5277	8
7	WASHER	28-0121	8
8	CARTRIDGE FILTER	19-0632	2
9	DECAL - CARTRIDGE FILTER (SEE 71-0153)	N/A	2
10	DECAL - 30 MICRON (SEE 71-0153)	N/A	1
11	DECAL - 5 MICRON (SEE 71-0153)	N/A	1
-	30 MICRON FILTER (NOT SHOWN)	19-0274	1
-	5 MICRON FILTER (NOT SHOWN)	19-0282	1
-	DECAL SET	71-0153	1
*MUST ORDER IN ONE FOOT LENGTHS			

CARTRIDGE FILTER (19-0632)



19-0632 090914 MLK			
CARTRIDGE FILTER			
ITEM	DESCRIPTION	PART #	QTY
1	AIR RELEASE VALVE	N/A	1
2	PRESSURE GAUGE	N/A	1
3	LOCK RING	N/A	1
4	LID W/O-RING	N/A	1
5	O-RING	26-0400	1
6	30 MICRON FILTER	19-0274	1
-	5 MICRON FILTER	19-0282	1
7	TANK	N/A	1
8	HALF UNION	N/A	2

POLISHING FILTER TO TANK ASSEMBLY

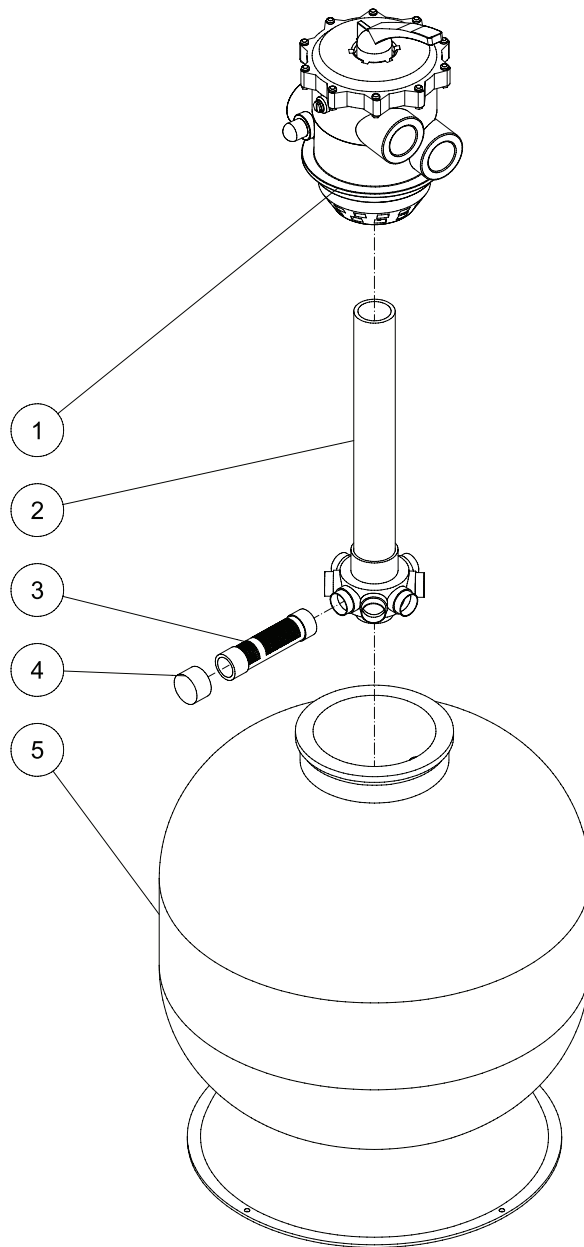


POLISHING FILTER TO PRODUCT TANK ASSEMBLY - WTR-10 020916 MLK

POLISHING FILTER TO PRODUCT TANK ASSEMBLY - WTR-10 020916 MLK

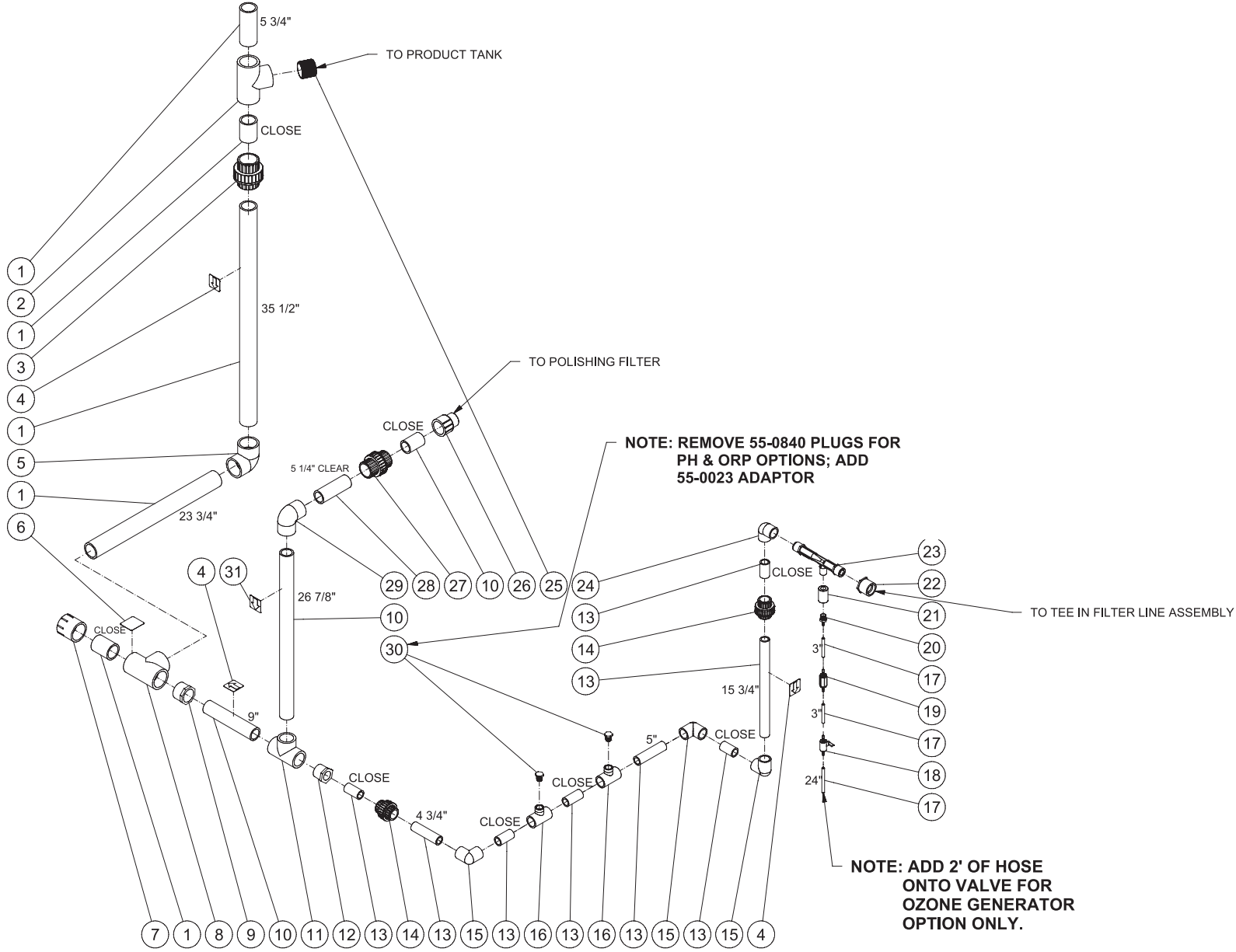
POLISHING FILTER TO TANK ASSEMBLY			
ITEM	DESCRIPTION	PART #	QTY
1	NIPPLE	55-1674	1
2	ELBOW	55-1610	1
3	*PIPE 1 1/2" CLEAR (TWO FEET REQUIRED)	55-1685	1
4	DECAL	N/A	1
5	ELBOW	55-1609	1
6	*PIPE 1 1/2" (ONE FOOT REQUIRED)	55-1600	1
7	UNION	55-1645	1
8	TOE NIPPLE	55-1679	1
9	FILTER	19-0557	1
10	STRAP	33-0315	1
11	BOLT	27-5276	4
12	WASHER	28-0122	4
13	DECAL - CARTRIDGE FILTER *(SEE 71-0153)	N/A	1
14	ELBOW	23-0432	1
15	PRESSURE GAUGE	N/A	1
-	DECAL SET	71-0153	1
*MUST ORDER IN ONE FOOT LENGTHS			

24" MEDIA FILTER



19-0557 060810 PJH			
24" MEDIA FILTER			
ITEM	DESCRIPTION	PART #	QTY
1	VALVE	55-0123	1
-	VALVE O-RING (WITH 55-0123)	N/A	1
2	STAND PIPE	N/A	1
3	LATERAL	62-0223	8
4	LATERAL CAP	62-0226	8
5	TANK WITH BASE	N/A	1

DRAIN LINE ASSEMBLY



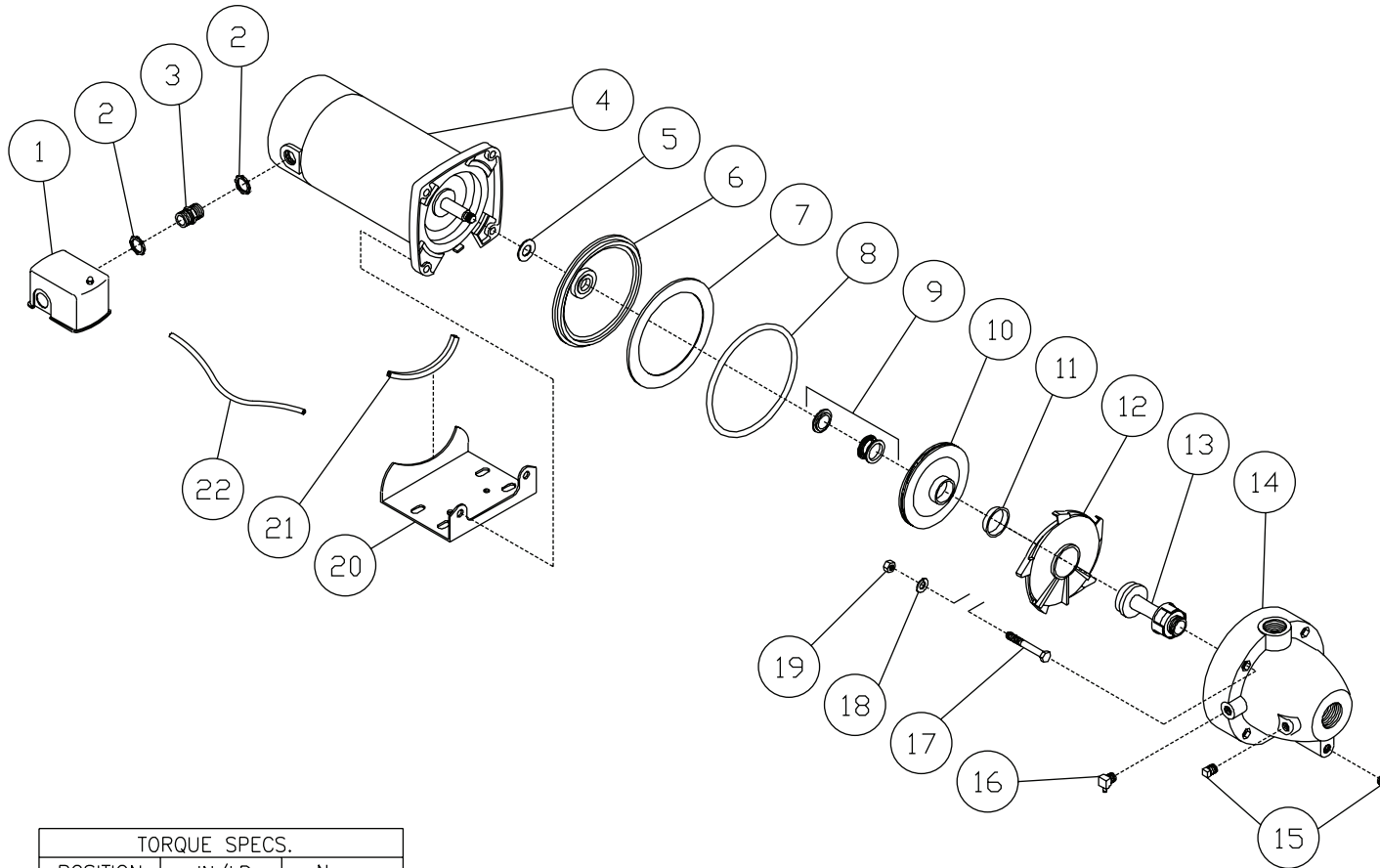
DRAIN LINE ASSEMBLY - WTR-10 021016 MLK

DRAIN LINE ASSEMBLY - WTR-10 021016 MLK			
DRAIN LINE ASSEMBLY			
ITEM	DESCRIPTION	PART #	QTY
1	*PIPE 2" (SIX FEET REQUIRED)	55-1800	1
2	TEE	55-1807	1
3	UNION	55-1845	1
4	DECAL	N/A	3
5	ELBOW	55-1809	1
6	DECAL	N/A	1
7	ADAPTER	55-1821	1
8	TEE	55-1801	1
9	REDUCER BUSHING	55-1823	1
10	*PIPE 1 1/2" (FOUR FEET REQUIRED)	55-1600	1
11	TEE	55-1601	1
12	REDUCER	55-1624	1
13	*PIPE 1"	55-1200	1
14	UNION	55-1245	2
15	ELBOW	55-1209	3
16	TEE	55-1208	2
17	HOSE *(THREE FEET REQUIRED)	15-0226	1
18	VALVE	22-0074	1
19	CHECK VALVE	22-0286	1
20	HOSE BARB	55-0023	1
21	COUPLER	55-0815	1
22	REDUCER	55-1629	1
23	MAZZEI	55-0015	1
24	ELBOW	55-1210	1
25	NIPPLE	55-1874	1
26	ADAPTER	55-1622	1
27	UNION	55-1645	1
28	*PIPE 1 1/2" CLEAR (ONE FOOT REQUIRED)	55-1685	1
29	ELBOW	55-1609	1
30	PLUG	55-0840	2
31	DECAL - BACKWASH ARROW *(SEE 71-0153)	N/A	1
-	DECAL SET	71-0153	1
*MUST ORDER IN ONE FOOT LENGTHS			

TRANSFER PUMP ASSEMBLY - WTR-10-0M10 020916 MLK			
TRANSFER PUMP ASSEMBLY			
ITEM	DESCRIPTION	PART #	QTY
1	MALE ADAPTER	55-1222	1
2	*PIPE 1" (FOUR FEET REQUIRED)	55-1200	1
3	UNION	55-1245	1
4	ELBOW	55-1209	2
5	TEE	55-1201	3
6	REDUCER	55-1231	2
7	CLOSE NIPPLE (0M10)	23-0063	1
8	CORD *(EIGHT FEET REQUIRED)	32-0074	1
9	STRAIN RELIEF	32-0437	2
10	ELECTRICAL LOCKNUT	32-0108	1
11	PRESSURE SWITCH (0M10)	22-0293	1
-	PRESSURE SWITCH (0M30)	22-0304	1
12	PLUG	39-0014	1
13	DECAL - RAIN WATER OVERFLOW (SEE 71-0153)	N/A	1
14	REDUCER	55-1228	1
15	NIPPLE	55-1074	1
16	TEE	55-1208	2
17	DECAL - PRESSURE WASHER OUTLET (SEE 71-0153)	N/A	2
18	PRESSURE GAUGE	22-0280	1
19	BALL CHECK VALVE	55-1253	1
20	NIPPLE	23-0094	1
21	HOSE BARB	23-0091	2
22	HOSE CLAMP	42-0018	2
23	HOSE *(TWO FEET REQUIRED)	15-0172	1
24	NIPPLE	23-0019	2
25	BALL VALVE	22-0278	2
26	ADAPTER	23-0136	3
27	REDUCER	55-1433	1
28	PLUG (0M10)	24-0009	1
29	BOLT	27-5276	4
30	WASHER	28-0122	4
31	CORD 16/3 SO *(TEN FEET REQUIRED) (0M10)	32-0074	1
-	CORD 16/4 SO *(TEN FEET REQUIRED) (0M30)	32-0247	1
32	PUMP (0M10)	3-0186	1
-	PUMP (0M30)	3-0432	1
33	BUSHING	23-0023	1
34	CORDSET	32-0786	1
35	SOLENOID	22-0502	1
-	DECAL SET	71-0153	1

*MUST ORDER IN ONE FOOT LENGTHS

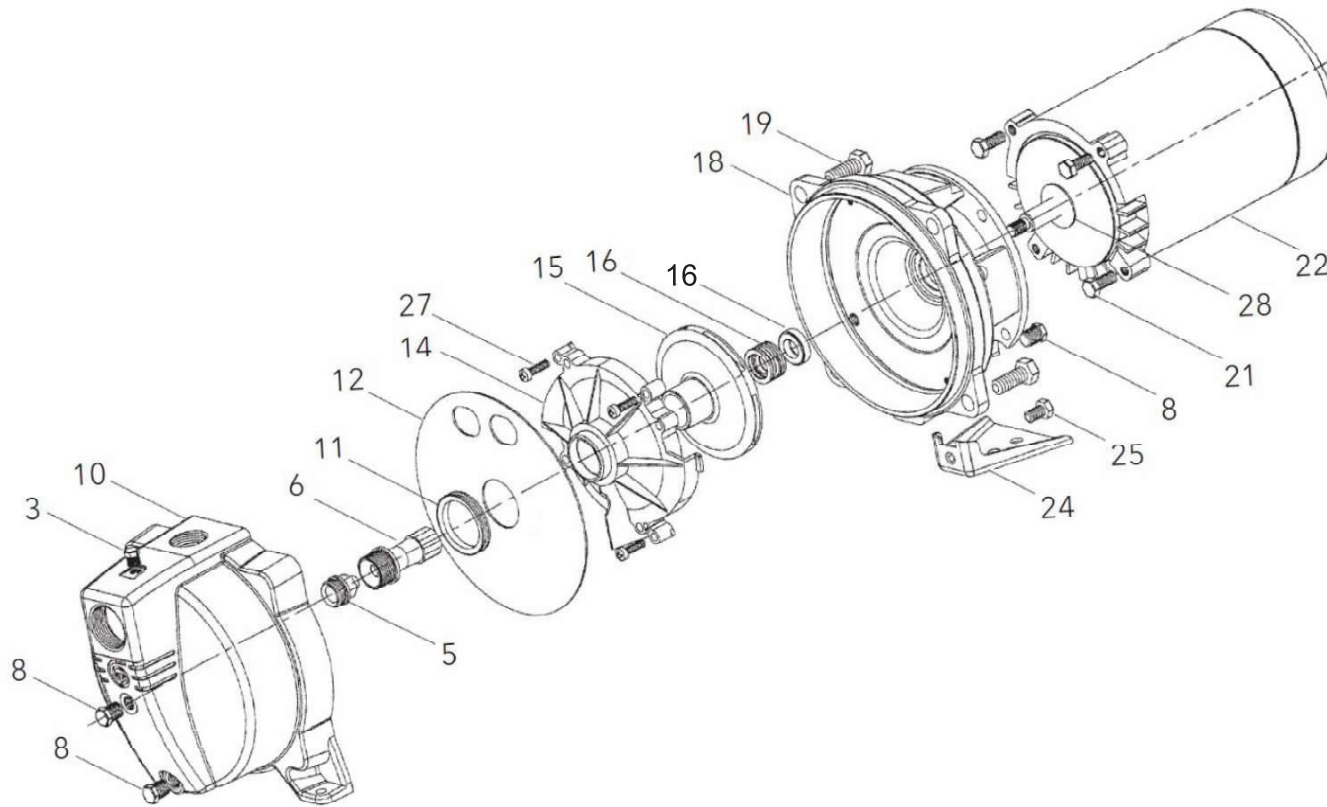
TRANSFER PUMP (3-0186) (SINGLE PHASE)



TORQUE SPECS.		
POSITION	IN/LB	N · m
19	150-160	16.9-18.0

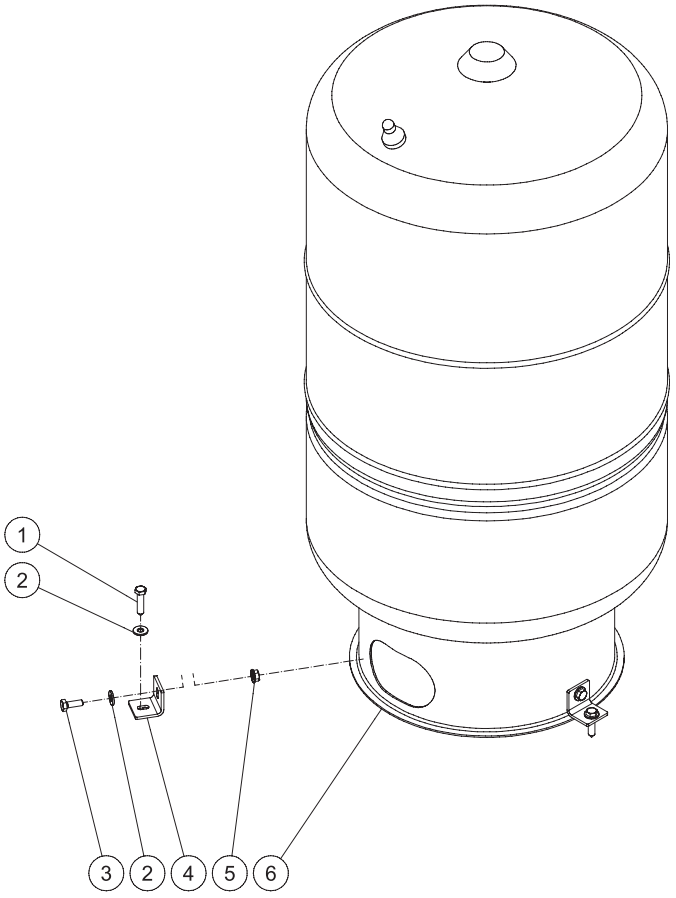
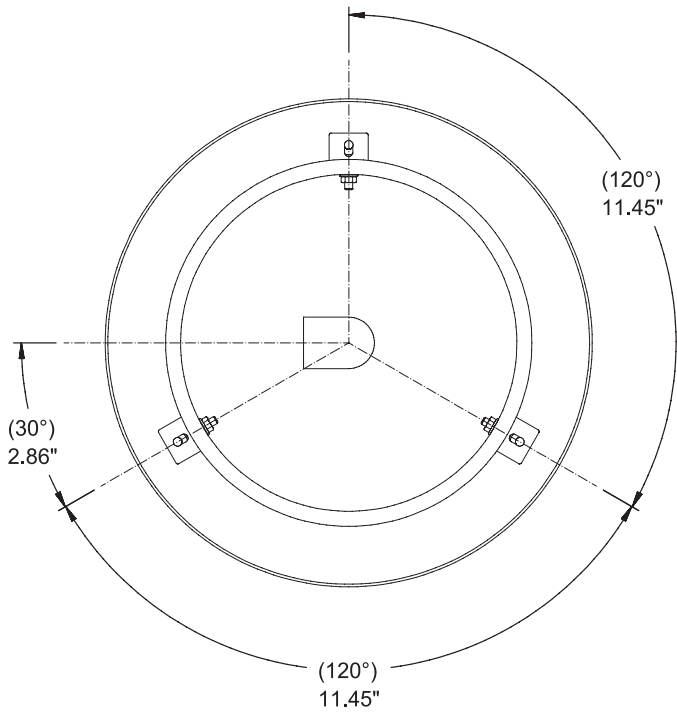
TRANSFER PUMP (3-0186)							
REF. #	DESCRIPTION	PART#	QTY.	REF. #	DESCRIPTION	PART#	QTY.
1	PRESSURE SWITCH	22-0293	1	13	VENTURI	46-0899	1
2	LOCKNUT	32-0108	2	14	CASE	46-0837	1
3	FITTING	54-0040	1	15	PLUG	39-01 09	2
4	MOTOR	N/A	1	16	ELBOW	23-0381	1
5	RUBBER WASHER	N/A	1	17	BOLT	27-8937	4
6	SEAL PLATE	26-0214	1	18	LOCK WASHER	29-0008	4
7	DISK	46-0898	1	19	NUT	30-0006	4
8	O-RING (SEE 70-0313)	N/A SEP.	1	20	BASE (INCLUDES REF. 21)	5-0144	1
9	SEAL	26-0215	1	21	RUBBER PROTECTOR	33-0320	1
10	IMPELLER (SEE 70-0313)	N/A SEP.	1	22	HOSE	15-0210	1
11	WEAR RING	46-0835	1		IMPELLER KIT (INCLUDES 8-12)	70-0313	1
12	DIFFUSER (SEE 70-0313)	N/A SEP.	1		COMPLETE OZONE PUMP	3-0186	

TRANSFER PUMP (3-0432) (THREE PHASE)



3-0432 040716 MLK			
PUMP ASSEMBLY			
ITEM	DESCRIPTION	MITM #	QTY
3	PIPE PLUG	N/A	1
5	NOZZLE	46-1644	1
6	VENTURI TUBE	46-1645	1
8	DRAIN PLUG	N/A	3
10	CASING	N/A	1
11	SEAL RING	46-1646	1
12	DIAPHRAGM	46-1647	1
14	DIFFUSER	46-1648	1
15	IMPELLER	46-1649	1
16	SEAL	26-0406	1
18	MOTOR ADAPTOR	N/A	2
19	BOLT	N/A	2
21	ADAPTOR BOLT	N/A	4
22	MOTOR	N/A	1
24	FOOT	N/A	1
25	FOOT BOLT	N/A	1
27	SCREW	N/A	2
28	DEFLECTOR	N/A	1

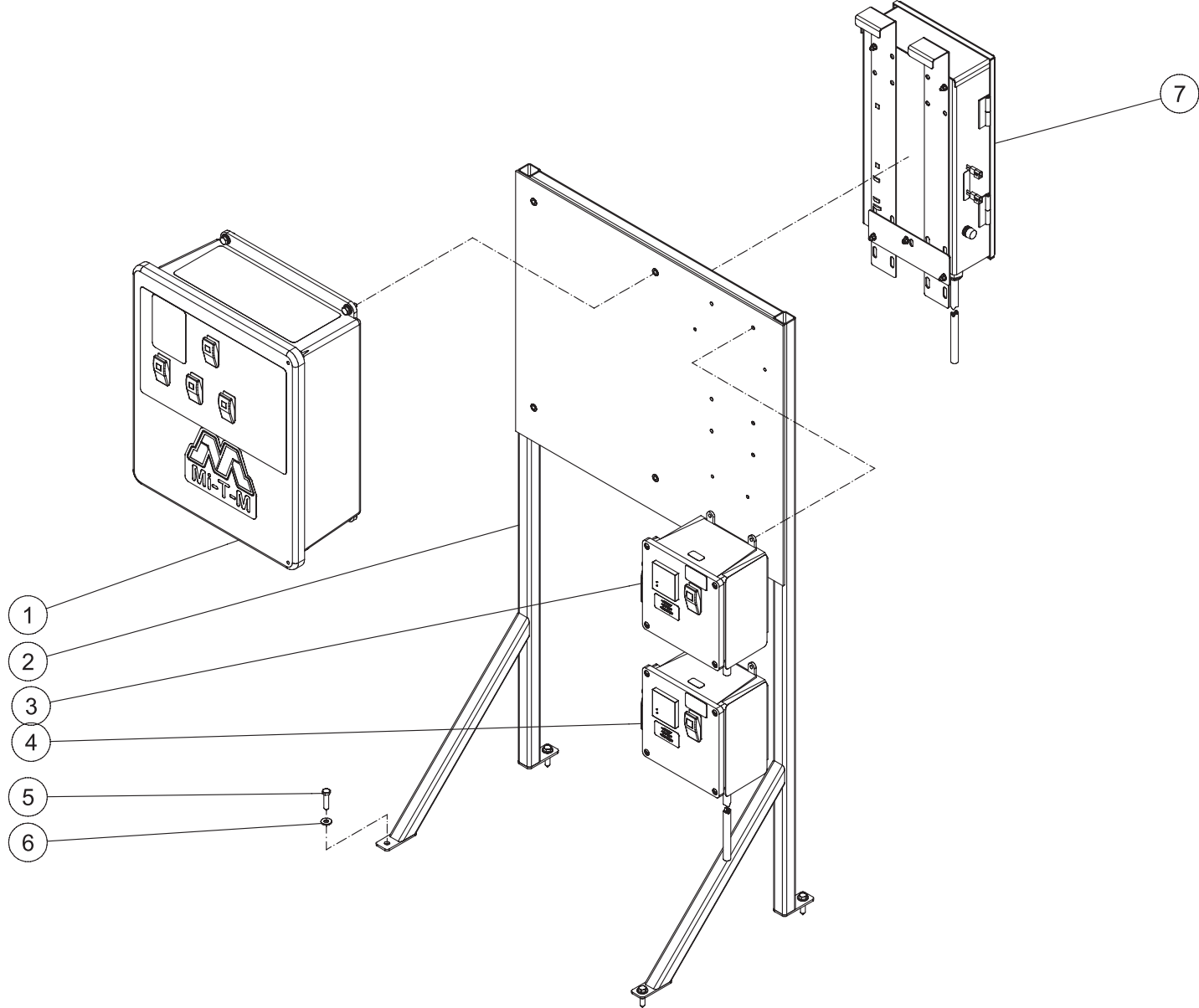
PRESSURE TANK ASSEMBLY



PRESSURE TANK ASSEMBLY - WTR-10 021116 MLK

PRESSURE TANK ASSEMBLY WTR-10-0M10/30 021116 MLK			
PRESSURE TANK ASSEMBLY			
ITEM	DESCRIPTION	PART #	QTY
1	BOLT	27-5277	3
2	WASHER	28-0121	6
3	BOLT	27-5016	3
4	BRACKET	21-0127	3
5	NUT	30-5202	3
6	PRESSURE TANK	12-0081	1

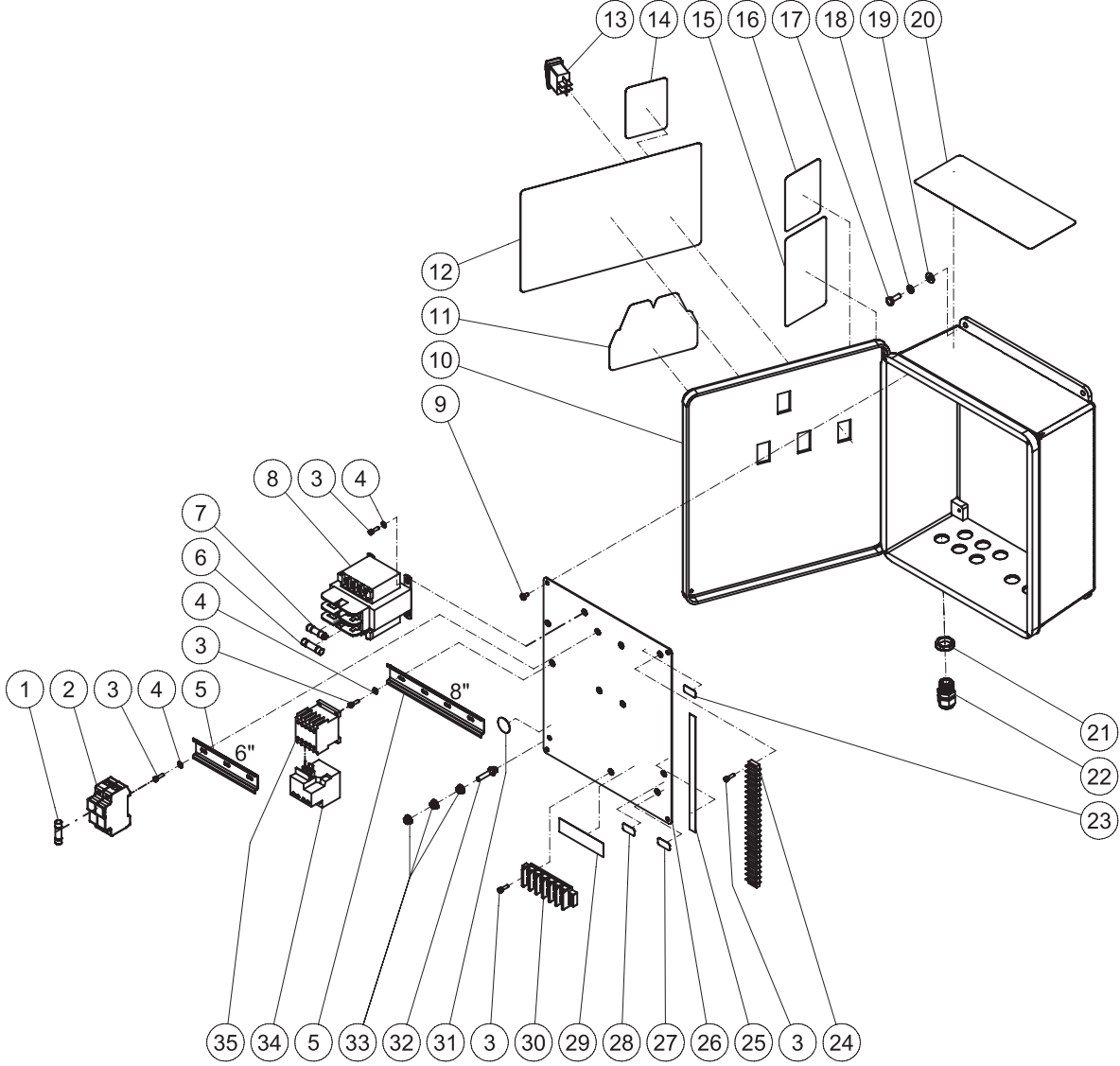
CONTROL PANEL BRACKET ASSEMBLY



CONTROL PANEL BRACKET ASSEMBLY - WTR-10 021016 MLK

CONTROL PANEL BRACKET ASSEMBLY - WTR-10 021016 MLK			
CONTROL PANEL BRACKET ASSEMBLY			
ITEM	DESCRIPTION	PART #	QTY
1	CONTROL PANEL ASSEMBLY	N/A SEP.	1
2	CONTROL BOX STAND	20-1023A01	1
3	PH CONTROL BOX	WX-0130	1
4	ORP CONTROL BOX	WX-0131	1
5	BOLT	27-5277	4
6	WASHER	28-0121	4
7	OZONE GENERATOR MOUNTING DETAIL	855-0046_8	1

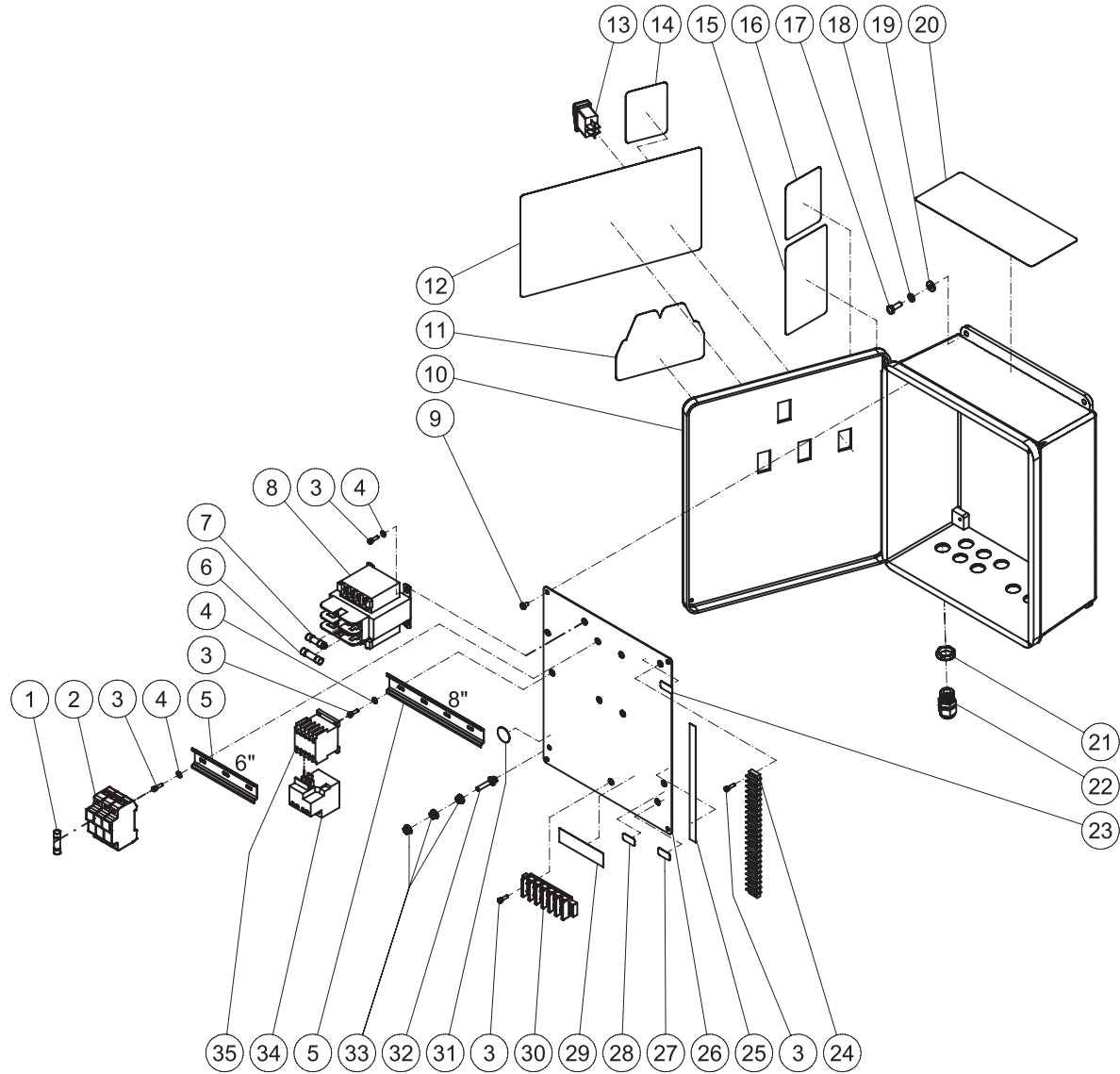
CONTROL PANEL ASSEMBLY (SINGLE PHASE)



CONTROL PANEL - WTR-10-0M10 SINGLE PHASE MASTER 020916 MLK

CONTROL PANEL - WTR-10-0M10 SINGLE PHASE MASTER 020916 MLK			
CONTROL PANEL ASSEMBLY (SINGLE PHASE)			
ITEM	DESCRIPTION	PART #	QTY
1	FUSE- FILTER PUMP	32-1026	2
-	FUSE- TRANSFER PUMP	32-1025	2
2	FUSE HOLDER	32-1006	2
3	SCREW	27-8835	10
4	STAR WASHER	28-1009	6
5	DIN RAIL *(TWO FEET REQUIRED)	32-0316	1
6	FUSE	32-1028	1
7	FUSE	32-0740	2
8	TRANSFORMER	32-0735	1
9	SCREW	27-8933	4
10	ELECTRIC BOX	32-1030	1
11	DECAL - Mi-T-M	34-2169	1
12	DECAL - SWITCHES (SEE 71-0153)	N/A	1
13	ROCKER SWITCH	32-0669	4
14	DECAL - BACKWASH (SEE 71-0153)	N/A	1
15	DECAL - RISK OF ELECTROCUTION (SEE 71-0153)	N/A	1
16	DECAL - DATA PLATE	N/A	1
17	BOLT	27-5016	4
18	LOCKWASHER	29-1006	4
19	WASHER	28-0121	4
20	DECAL - OPERATION (SEE 71-0153)	N/A	1
21	ELECTRICAL LOCKNUT	32-0108	11
22	STRAIN RELIEF	32-0437	11
23	DECAL - 115 VOLT (SEE 71-0153)	N/A	1
24	TERMINAL STRIP	32-0463	1
25	DECAL - TERMINAL STRIP (SEE 71-0153)	N/A	1
26	ELECTRICAL PLATE	20-0520A06	1
27	DECAL - 1 PHASE (SEE 71-0153)	N/A	1
28	DECAL - 230 VOLT (SEE 71-0153)	N/A	1
29	DECAL - TERMINAL STRIP (SEE 71-0153)	N/A	1
30	TERMINAL BLOCK	32-0536	1
31	DECAL- GROUND PICTORIAL (SEE 71-0153)	N/A	1
32	BOLT	27-8898	1
33	NUT	30-3022	3
34	OVERLOAD- FILTER PUMP	32-1016	1
-	OVERLOAD-TRANSFER PUMP	32-1015	1
35	CONTACTOR	32-1009	2
-	DECAL SET	71-0153	1
*MUST ORDER IN ONE FOOT LENGTHS			

CONTROL PANEL ASSEMBLY (THREE PHASE)

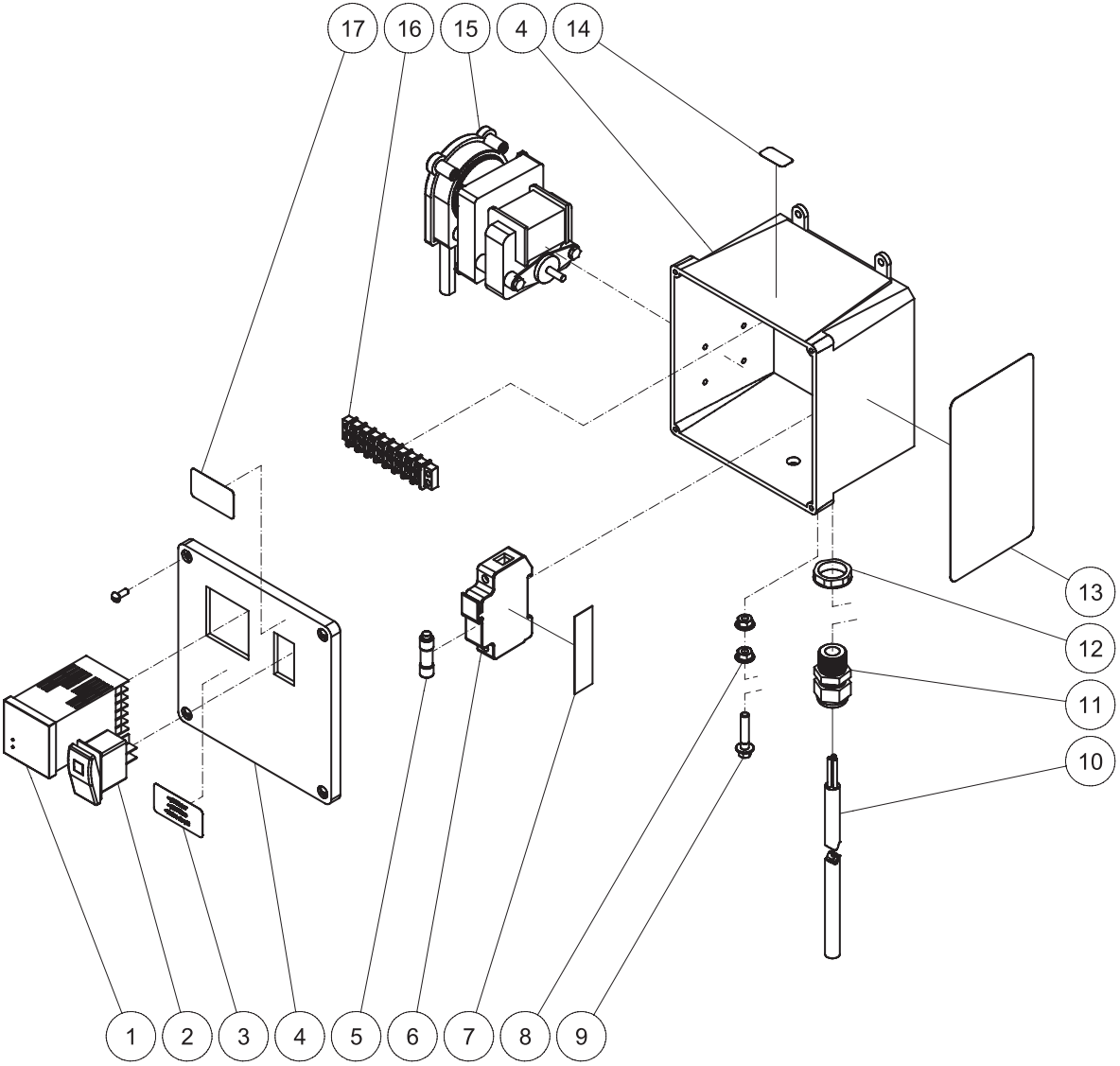


CONTROL PANEL - WTR-10-0M10 THREE PHASE MASTER 021116 MLK

CONTROL PANEL - WTR-10-0M30 THREE PHASE MASTER 021116 MLK			
CONTROL PANEL ASSEMBLY			
ITEM	DESCRIPTION	PART #	QTY
1	FUSE- FILTER PUMP 208V, 230V/SUMP PUMP 208V, 230V	32-1024	3
-	FUSE- FILTER PUMP 460V/ TRANSFER PUMP 460V	32-1023	3
-	FUSE- TRANSFER PUMP 208V, 230V	32-0470	3
2	FUSE HOLDER	32-1007	2
3	SCREW	27-8835	10
4	STAR WASHER	28-1009	6
5	DIN RAIL *(TWO FEET REQUIRED)	32-0316	1
6	FUSE	32-1028	1
7	FUSE	32-0740	2
8	TRANSFORMER	32-0735	1
9	SCREW	27-8933	4
10	ELECTRIC BOX	32-1030	1
11	DECAL - Mi-T-M	34-2169	1
12	DECAL - SWITCHES (SEE 71-0153)	N/A	1
13	ROCKER SWITCH	32-0669	4
14	DECAL - BACKWASH (SEE 71-0153)	N/A	1
15	DECAL - RISK OF ELECTROCUTION (SEE 71-0153)	N/A	1
16	DECAL - DATA PLATE	N/A	1
17	BOLT	27-5016	4
18	LOCKWASHER	29-1006	4
19	WASHER	28-0121	4
20	DECAL - OPERATION (SEE 71-0153)	N/A	1
21	ELECTRICAL LOCKNUT	32-0108	11
22	STRAIN RELIEF	32-0437	11
23	DECAL - 115 VOLT (SEE 71-0153)	N/A	1
24	TERMINAL STRIP	32-0463	1
25	DECAL - TERMINAL STRIP (SEE 71-0153)	N/A	1
26	ELECTRICAL PLATE	20-0520A06	1
27	DECAL - 3 PHASE (SEE 71-0153)	N/A	1
28	DECAL - 230 VOLT (SEE 71-0153)	N/A	1
29	DECAL - TERMINAL STRIP (SEE 71-0153)	N/A	1
30	TERMINAL BLOCK	32-0536	1
31	DECAL- GROUND PICTORIAL (SEE 71-0153)	N/A	1
32	BOLT	27-8898	1
33	NUT	30-3022	3
34	OVERLOAD- FILTER PUMP 208V, 230V	32-1014	1
-	OVERLOAD- TRANSFER PUMP 208V, 230V	32-1012	1
-	OVERLOAD- FILTER PUMP 460V	32-1011	1
-	OVERLOAD- TRANSFER PUMP 460V/ SUMP PUMP 460V	32-1010	1
35	CONTACTOR	32-1009	2
-	DECAL SET	71-0153	1

*MUST ORDER IN ONE FOOT LENGTHS

PH AND ORP CONTROL BOX 120V

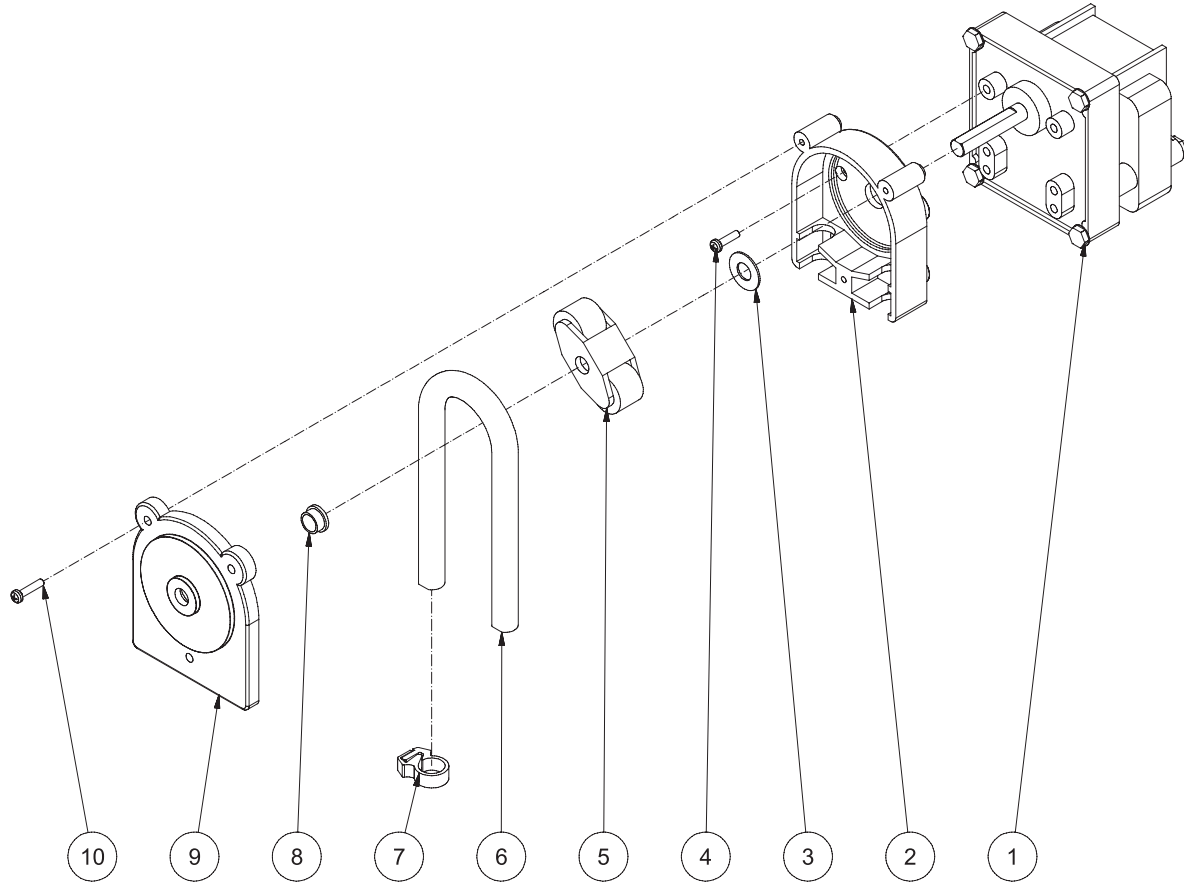


WX-0130_131 PH AND ORP CONTROL BOX 120V 050216 MLK

WX-0130_131 PH AND ORP CONTROL BOX 120V 050216 MLK			
PH AND ORP CONTROL BOX 120V (WX-0130, 0131)			
ITEM	DESCRIPTION	PART #	QTY
1	PH METER WX-0130	32-0806	1
-	ORP CONTROLLER WX-0131	32-0807	1
2	SWITCH	32-0669	1
3	DECAL - PH METER	N/A	1
4	ELECTRICAL BOX	32-0702	1
5	FUSE	32-0740	1
6	FUSE HOLDER	32-0473	1
7	VELCRO STRIP *(ONE FOOT REQUIRED)	36-0011	1
8	NUT	30-3022	2
9	BOLT	27-8898	1
10	CORD *(TWENTY FEET REQUIRED)	32-0074	1
11	STRAIN RELIEF	32-0437	1
12	ELECTRICAL LOCKNUT	32-0108	1
13	DECAL - RISK OF ELECTROCUTION (SEE 71-0153)	N/A	1
14	DECAL - 115 VOLT (SEE 71-0153)	N/A	1
15	PUMP PERISTALTIC	3-0316	1
-	HOSE MENDER	55-0022	2
16	TERMINAL STRIP	32-0436	1
17	DECAL - POWER ON	N/A	1
*MUST ORDER IN ONE FOOT LENGTHS			

SHIPS WITH		
STRAINER	19-0056	1
CHEMICAL HOSE *(TWENTY FEET REQUIRED)	15-0021	1
PH PROBE (WX-0130)	32-0538	1
ORP PROBE (WX-0131)	32-0540	1
HOSE MENDER	55-0022	2
ADAPTER HOSE BARB	55-0023	1
STRAIN RELIEF ALUMINUM	32-0550	1
PLUG RUBBER	32-1203	1

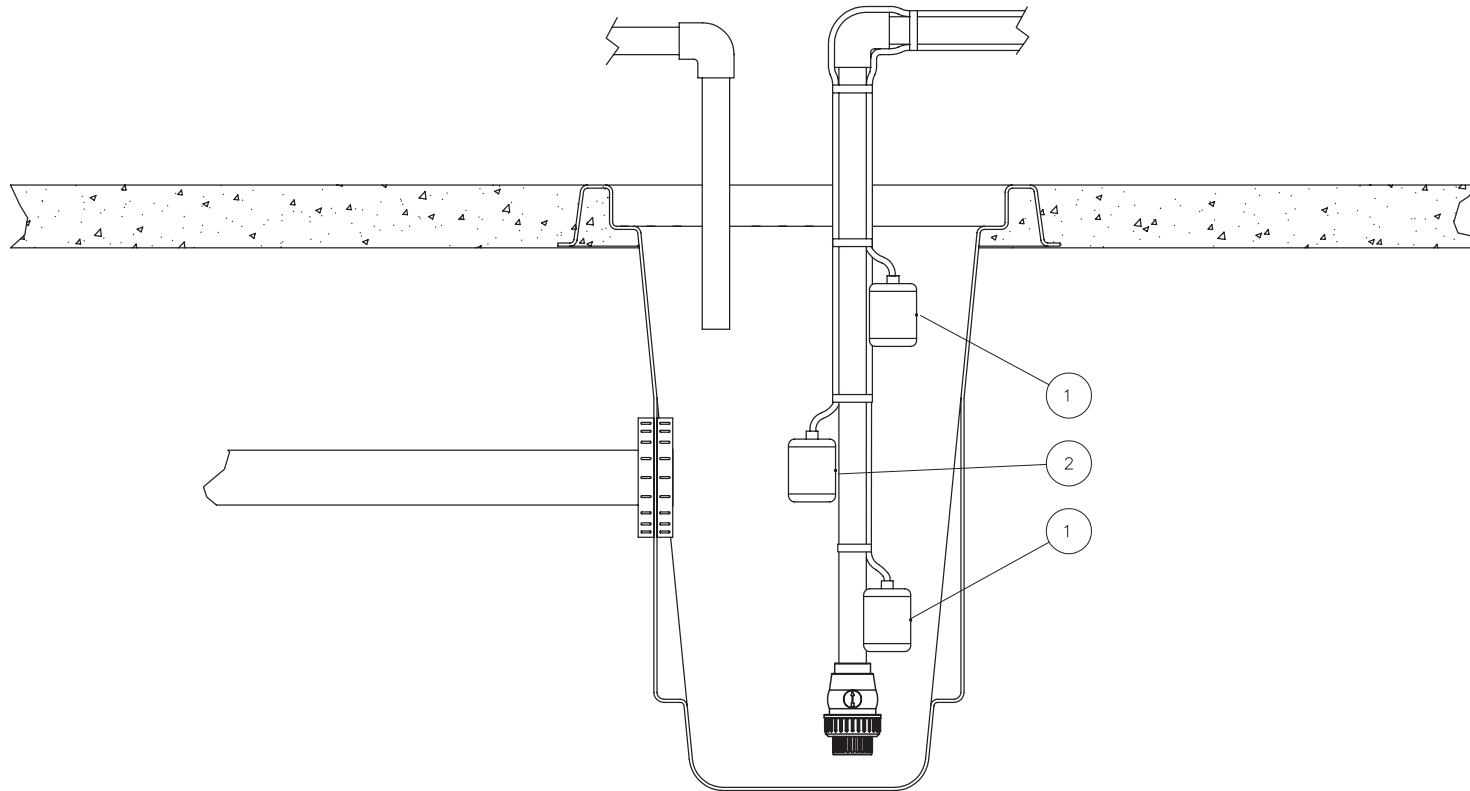
PH / ORP PUMP (3-316)



3-0316 030110 PJH

3-0316 030110-PJH			
PUMP (3-0316)			
ITEM	DESCRIPTION	PART #	QTY
1	MOTOR	N/A	1
2	HOUSING (SEE 70-0245)	N/A	1
3	WASHER	N/A	1
4	SCREW	27-2771	4
5	ROLLER BRACKET ASSEMBLY	46-0830	1
6	TUBE	15-0205	1
7	CLAMP	42-0028	1
8	BUSHING	9-0080	1
9	PUMP COVER (SEE 70-0245)	N/A	1
10	SCREW (SEE 70-0245)	N/A	3
-	PH/OPR PUMP KIT (INC. 2, 3, 4, 8, 9, 10)	70-0245	1

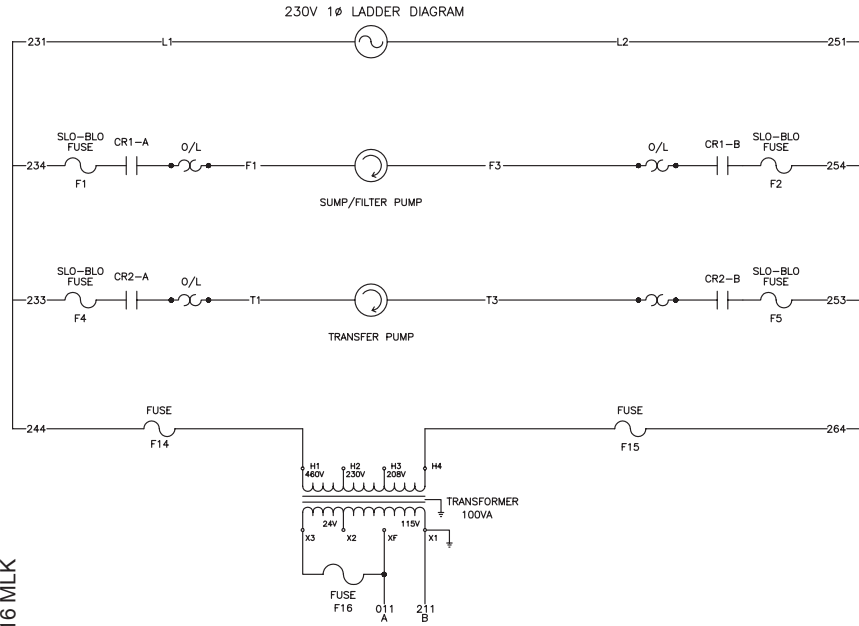
SUMP PIT ASSEMBLY



SUMP PIT ASSEMBLY - WTR 040716 MLK

SUMP PIT ASSEMBLY - WTR 040716 MLK			
SUMP PIT ASSEMBLY			
REF #	DESCRIPTION	PART #	QTY.
1	FLOAT N.O. 50' CORD	32-0528	2
2	FLOAT N.C.50' CORD	32-0530	1

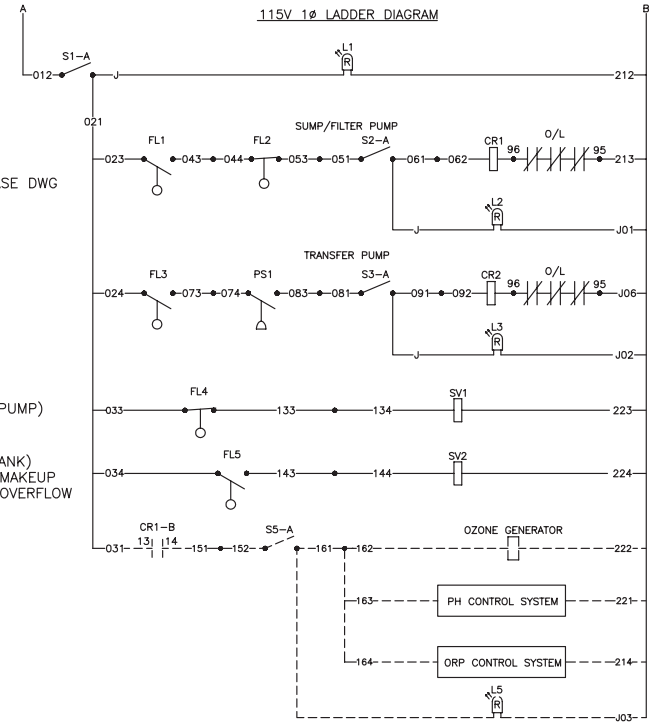
WIRING SCHEMATIC WTR-10-0M10 SINGLE PHASE



NOTE:
LADDER DIAGRAM SHOWN WITH POWER TO UNIT AND
NO WATER IN PIT
FOR FUSE AND OVERLOAD SETTINGS SEE:
FUSE AND OVERLOAD SETTINGS MASTER 3 PHASE DWG

LEGEND

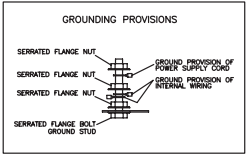
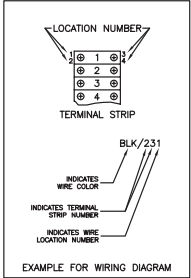
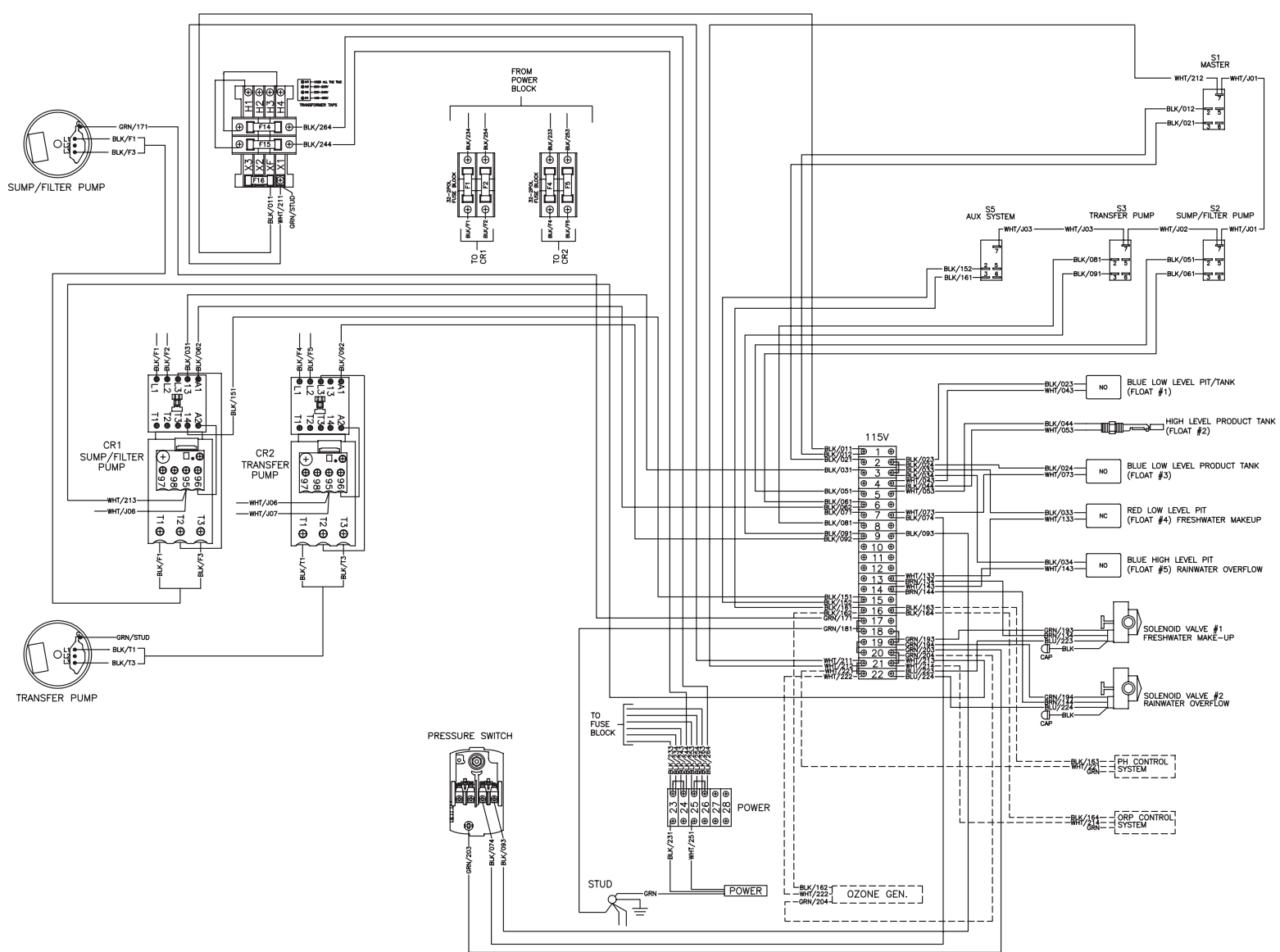
- CR1 = CONTROL RELAY, SUMP/FILTER PUMP
- CR2 = CONTROL RELAY, TRANSFER PUMP
- CS1 = SWITCH, MASTER
- S2 = SWITCH, FILTER PUMP
- S3 = SWITCH, TRANSFER PUMP
- S5 = SWITCH, AUXILIARY SYSTEM
- L2 = LIGHT, FOR S2
- L3 = LIGHT, FOR S3
- L5 = LIGHT, FOR S5
- PS1 = PRESSURE SWITCH, 30-50 PSI (TRANSFER PUMP)
- FL1 = FLOAT, N.O. BLUE LOW LEVEL (SUMP PIT)
- FL2 = FLOAT, N.C. HIGH LEVEL (PRODUCT TANK)
- FL3 = FLOAT, N.O. GREEN LOW LEVEL (PRODUCT TANK)
- FL4 = FLOAT, N.C. RED LOW LEVEL FRESH WATER MAKEUP
- FL5 = FLOAT, N.O. GREEN HIGH LEVEL RAINWATER OVERFLOW
- SV1 = SOLENOID VALVE, FRESH WATER MAKEUP
- SV2 = SOLENOID VALVE, RAINWATER OVERFLOW



WIRE SCHEMATIC - MASTER - WTR-10-0M10 - 1 PHASE 021116 MLK

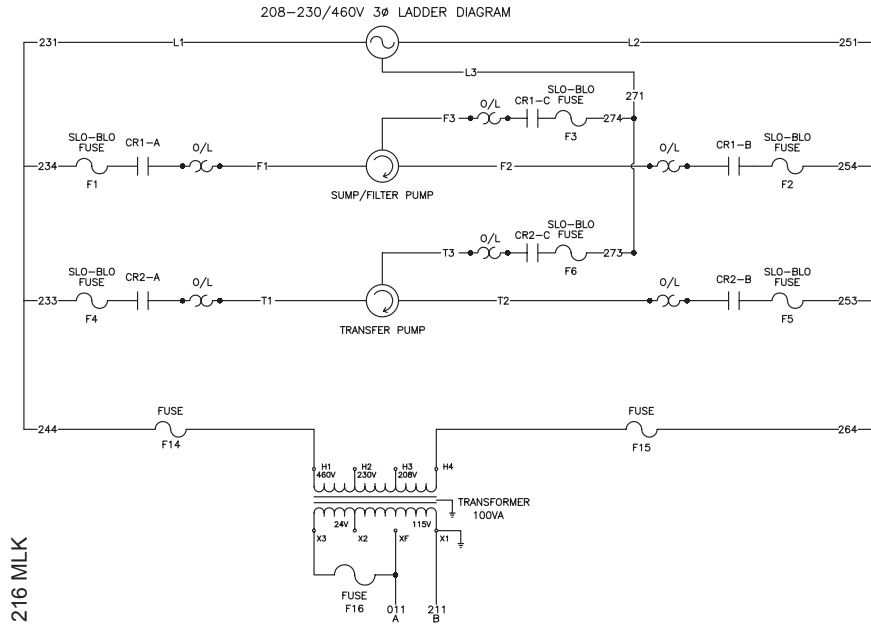
WIRING DIAGRAM WTR-10-0M10 SINGLE PHASE

WIRING DIAGRAM - MASTER - WTR-10-0M10 - 1 PHASE 021216 MLK



NOTES:
 1) ALL WIRES ARE 16GA UNLESS OTHERWISE SPECIFIED IN THE TABLE ON THE LADDER DIAGRAM.
 2) FUSE SIZES ARE SHOWN IN THE TABLE ON THE LADDER DIAGRAM OR ON A STICKER INSIDE THE BOX.

WIRING SCHEMATIC WTR-10-0M30 THREE PHASE

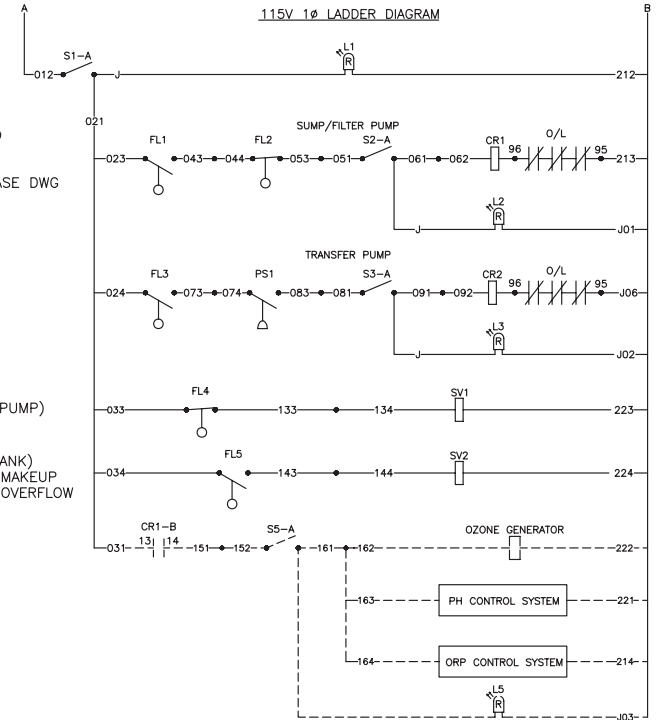


NOTE:
LADDER DIAGRAM SHOWN WITH POWER TO UNIT AND
NO WATER IN PIT
FOR FUSE AND OVERLOAD SETTINGS SEE:
FUSE AND OVERLOAD SETTINGS MASTER 3 PHASE DWG

LEGEND

- CR1 = CONTROL RELAY, SUMP/FILTER PUMP
- CR2 = CONTROL RELAY, TRANSFER PUMP
- CS1 = SWITCH, MASTER
- S2 = SWITCH, SUMP PUMP
- S3 = SWITCH, TRANSFER PUMP
- S5 = SWITCH, AUXILIARY SYSTEM
- L2 = LIGHT, FOR S2
- L3 = LIGHT, FOR S3
- L5 = LIGHT, FOR S5
- PS1 = PRESSURE SWITCH, 30-50 PSI (TRANSFER PUMP)
- FL1 = FLOAT, N.O. BLUE LOW LEVEL (SUMP PIT)
- FL2 = FLOAT, N.C. HIGH LEVEL (PRODUCT TANK)
- FL3 = FLOAT, N.O. GREEN LOW LEVEL (PRODUCT TANK)
- FL4 = FLOAT, N.C. RED LOW LEVEL FRESH WATER MAKEUP
- FL5 = FLOAT, N.O. GREEN HIGH LEVEL RAINWATER OVERFLOW
- SV1 = SOLENOID VALVE, FRESH WATER MAKEUP
- SV2 = SOLENOID VALVE, RAINWATER OVERFLOW

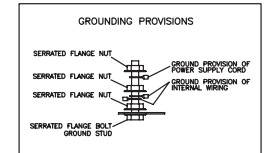
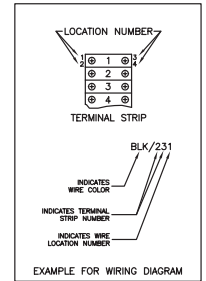
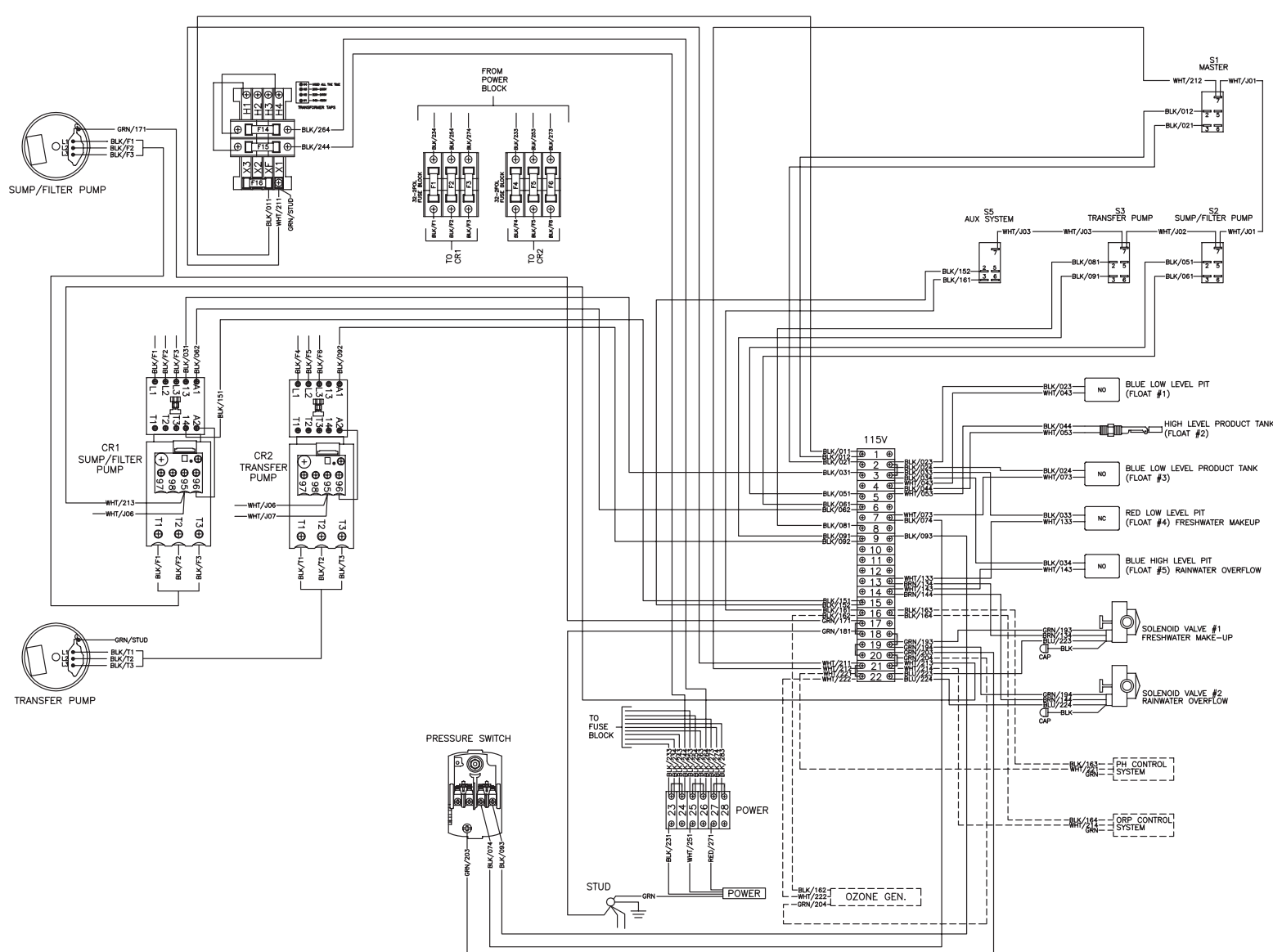
TRANSFORMER FUSE CHART			
VOLTAGE	PHASE	PRIMARY FUSES	SECONDARY FUSE
208	3	1.0 KLDR	1.0 FLA
230	3	1.0 KLDR	1.0 FLA
460	3	0.5 KLDR	1.0 FLA



WIRING SCHEMATIC- MASTER - WTR-10-0M30 - 3 PHASE 02/12/16 MLK

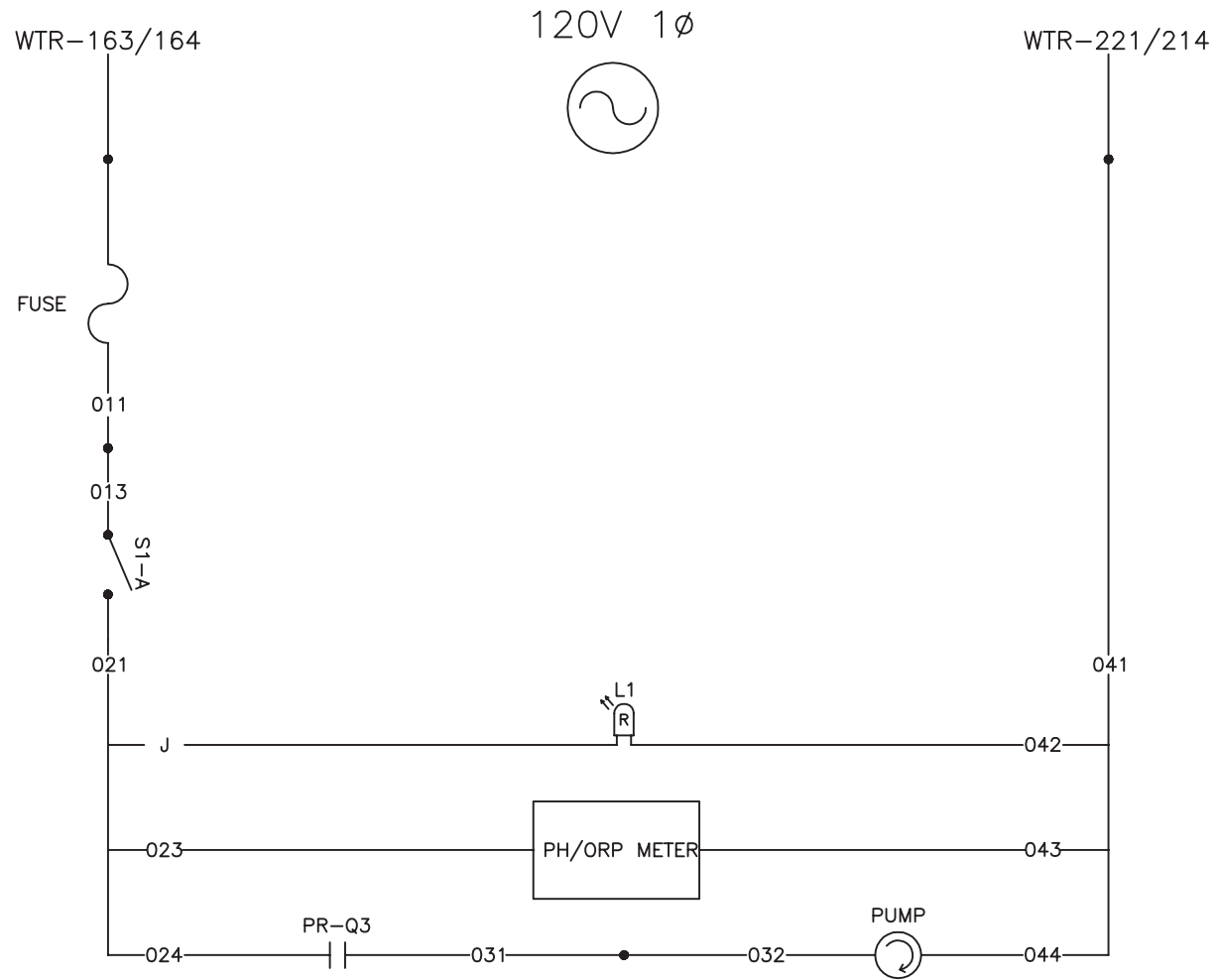
WIRING DIAGRAM WTR-10-0M30 THREE PHASE

WIRING DIAGRAM - MASTER - WTR-10-0M10 - 1 PHASE 021216 MLK



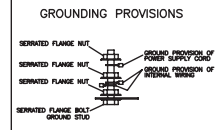
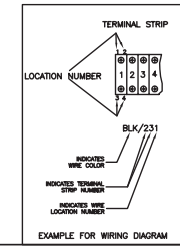
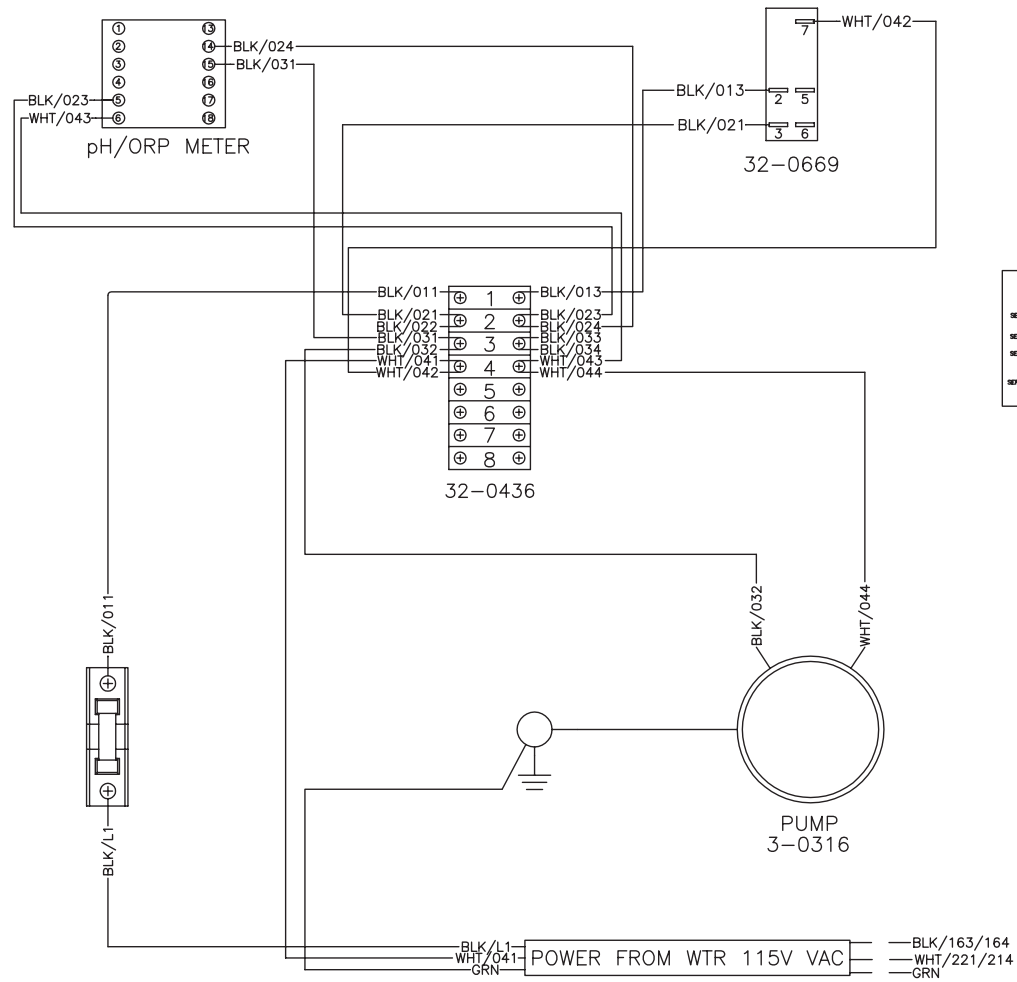
- NOTES:**
- 1) ALL WIRES ARE 16GA UNLESS OTHERWISE SPECIFIED IN THE TABLE ON THE LADDER DIAGRAM.
 - 2) FUSE SIZES ARE SHOWN IN THE TABLE ON THE LADDER DIAGRAM OR ON A STICKER INSIDE THE BOX.

WIRING SCHEMATIC WX-0130, WX-0131



WIRING SCHEMATIC- WX-0130_0131_050216 MLK

WIRING DIAGRAM WX-0130, WX-0131



WIRING DIAGRAM WX-0130_0131 050216 MLK

Manufactured by Mi-T-M
50 MI-T-M Drive, Peosta IA 52068
563-556-7484/ Fax 563-556-1235