



PARTS LIST FOR  
***CW-2505-4MGH/R***  
***CW-3004-4MGH/R***  
(AFTER SERIAL #10552631)

Engine Oil Grade:

Honda/Subaru: SAE 10W-30

Engine Oil Capacity:

Honda: 37 oz.

Subaru: 34 oz.

Pump Oil Grade: Mi-T-M Pump Oil #AW-4085-0016

Pump Oil Capacity: 40.6 oz.

Nozzle Size:

CW-2505: 5.5

CW-3004: 4.0

This Parts Listing has been compiled for your benefit. You can be assured your Mi-T-M Cold Water Pressure Washer was constructed and designed with quality and performance in mind using over 25 years experience in the pressure washer business. Each component has been rigorously tested to insure the highest level of acceptance.

The contents of this Parts Listing are based on the latest product information available at the time of publication. Mi-T-M reserves the right to make changes in price, color, materials, equipment, specifications or models at any time without notice.

**WARNING**

THIS IS A PROFESSIONAL HIGH PRESSURE, COLD WATER PRESSURE WASHER. CAUTION SHOULD BE OBSERVED WHEN USING OR REPAIRING THIS UNIT! READ AND FOLLOW THE SAFETY WARNINGS LISTED BELOW BEFORE ATTEMPTING ANY REPAIRS ON THIS PRESSURE WASHER!

**SAFETY WARNINGS**

1. NEVER alter or modify the equipment. Be sure any accessory items and system components being used will withstand the pressure developed. Use only genuine Mi-T-M parts for repair of your pressure washer. Failure to do so can cause hazardous operating conditions and will VOID warranty.
2. NEVER make adjustments on machinery while the unit is connected to the engine without first removing the ignition cables from the spark plugs. Turning over the machinery by hand during adjustment or cleaning might start the machinery, causing serious injury to the operator.
3. Know how to stop and bleed pressures quickly. Be thoroughly familiar with controls.
4. Before servicing the unit, turn unit off, relieve the water pressure and allow the unit to cool down. Do not make repairs while the unit is running. Service in a clean, dry, flat area.
5. After testing the machine, DO NOT leave the pressurized unit unattended. Shut off the unit and release trapped pressure before leaving.

**Table of Contents**

**SPECIFICATIONS.....3**

**FRAME ASSEMBLY FOR CW-2505-4MGH/4MGR (AFTER SERIAL #10552631).....4**

**FRAME ASSEMBLY FOR CW-3004-4MGH/4MGR (AFTER SERIAL #10552631).....6**

**PUMP ASSEMBLY (3-0202) (AFTER SERIAL #10375000).....8**

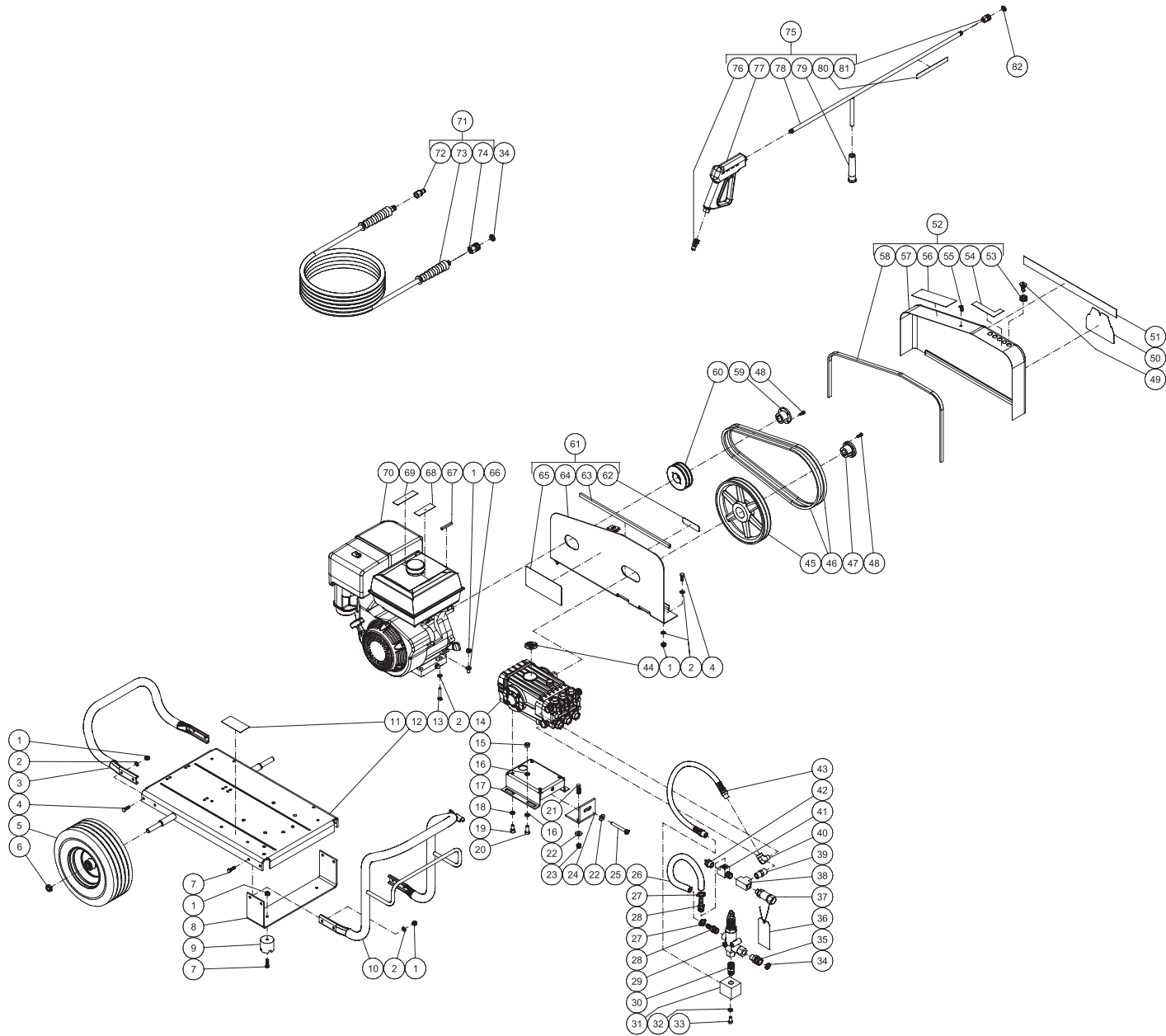
**UNLOADER ASSEMBLY (8-0032).....10**

**NOTES.....12**

## SPECIFICATIONS

MODEL NUMBER	CW-2505-4MGH	CW-2505-4MGR	CW-3004-4MGH	CW-3004-4MGR
Operating Pressure (PSI/Bar):	2500/172.4		3000/206.8	
High Pressure Nozzle:	5.5		4.0	
Water Volume (GPM/lpm):	4.4/16.6		3.5/13.2	
Engine:	Honda	Subaru	Honda	Subaru
Model Number:	GX390	EX40	GX390	EX40
Engine Type:	4 Stroke, Overhead Valve, Single Cylinder			
Oil Type	SAE10W-30			
Oil Capacity (oz./liter)	37/1.1	34/1.0	37/1.1	34/1.0
Low Oil Protection	Oil Alert	Oil Sensor	Oil Alert	Oil Sensor
Fuel Type	Unleaded Gasoline 86 Octane Minimum			
Fuel Capacity (gal./liter)	1.7/6.5	1.85/7	1.7/6.5	1.85/7
Starting	Recoil			
Maximum No Load RPM	3600 (+/- 100) RPM			
Pump:	Belt Driven, Oil Bath, Triplex Piston			
Oil Type	Mi-T-M Pump Oil #AW-4085-0016			
Oil Capacity (oz./liter)	40.6/1.2			
Plungers	Ceramic			
Manifold	Forged Brass			
Valves	Stainless Steel			
Unloader	Preset			
Heat dump Valve	Relieves heated water during unloader bypass stage			
Unit Net Weight (lbs/Kg)	221/100			
Unit Shipping Weight (lbs/Kg)	295/133.5			
Unit Net Dimensions (in/cm)	45.5L x 28W x 26.5H / 115.5L x 71W x 67H			
Unit Shipping Dimensions (in/cm)	48.5L x 30.5W x 35.5H / 123L x 77.5W x 90H			

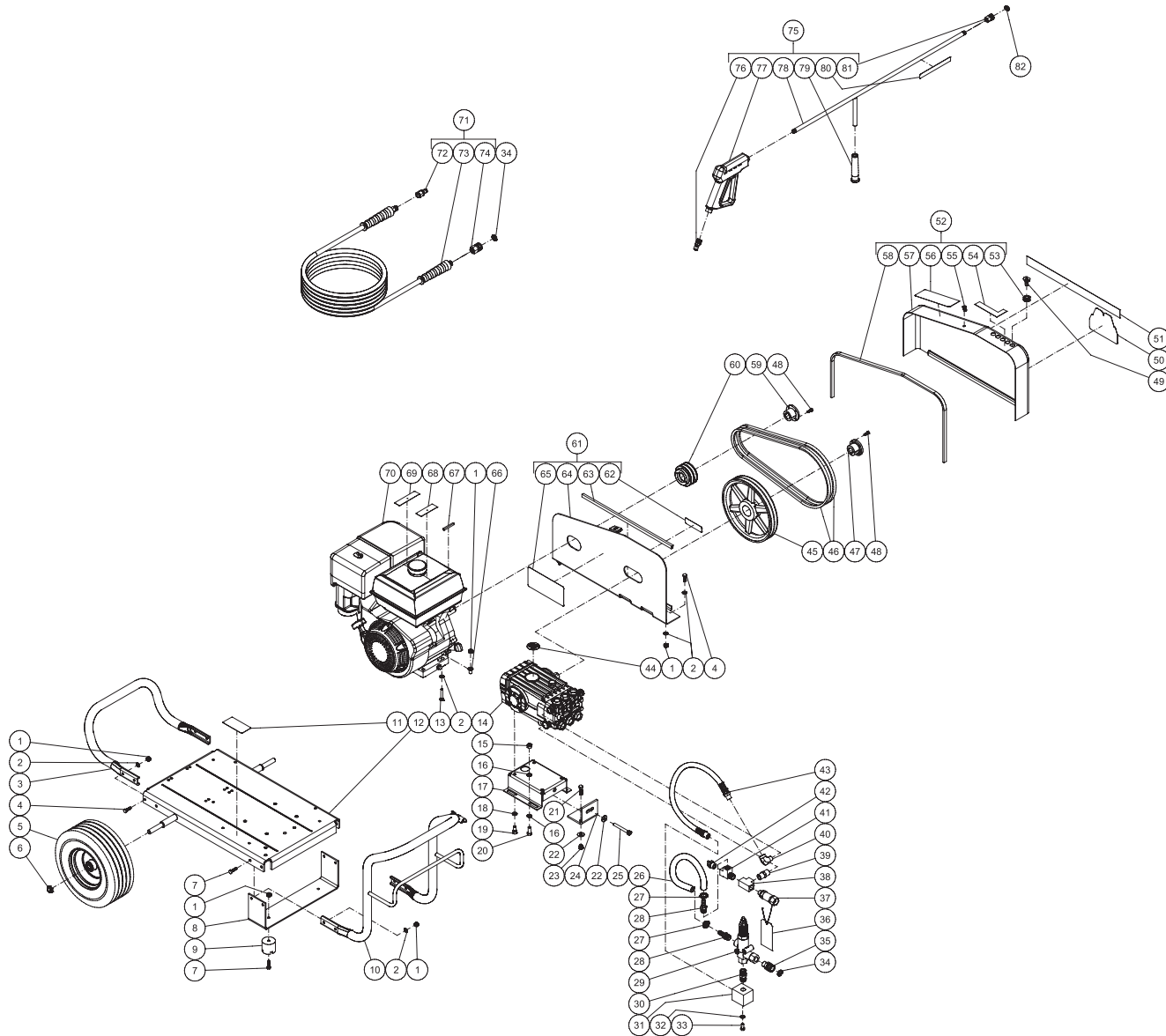
# FRAME ASSEMBLY FOR CW-2505-4MGH/4MGR (AFTER SERIAL #10552631)



CW-2505-4MGH\_R 110614 RJA

FRAME ASSEMBLY							
ITEM	DESCRIPTION	PART #	QTY	ITEM	DESCRIPTION	PART #	QTY
1	LOCKNUT	30-0157	18	45	SHEAVE	10-0040	1
2	WASHER	28-0003	20	46	BELT	11-0011	2
3	HANDLE	7-0175	1	47	BUSHING	9-0017	1
4	BOLT	27-0067	8	48	BOLT	27-0015	4
5	WHEEL	14-0127	2	49	NOZZLE 00055 QC	18-0410	1
6	LOCKNUT	30-0117	2	-	NOZZLE 15055 QC	18-0411	1
7	BOLT	27-0068	6	-	NOZZLE 25055 QC	18-0412	1
8	UNDERBRACKET	13-0137A01	1	-	NOZZLE 40055 QC	18-0413	1
9	ISOLATOR	14-0008	2	50	DECAL - Mi-T-M (SEE 71-1032)	N/A	1
10	HANDLE	7-0174A01	1	51	DECAL - Mi-T-M STRIPE (SEE 71-1032)	N/A	1
11	DECAL- SILVER STICKER	N/A	1	52	BELTGUARD COVER	851-0348	1
12	BASEPLATE	5-0078A01	1	53	GROMMET	33-0001	5
13	BOLT	27-0070	4	54	DECAL - NOZZLE (SEE 71-1032)	34-0500	1
14	PUMP	3-0202	1	55	FASTENER	33-0197	1
15	LOCKNUT	30-0161	4	56	DECAL - OPERATION (SEE 71-1032)	N/A	1
16	WASHER	28-0030	8	57	BELTGUARD COVER	N/A	1
17	PUMP BRACKET	5-0101A01	1	58	EDGING *(FOUR FEET REQUIRED)	33-0020	1
18	LOCKWASHER	29-0055	4	59	BUSHING	9-0005	1
19	BOLT	27-8471	4	60	SHEAVE	10-0067	1
20	BOLT	27-0166	4	61	BELTGUARD BACK	851-0349	1
21	BOLT	27-0118	2	62	DECAL - WARNING (SEE 71-1032)	N/A	1
22	WASHER	28-0023	3	63	EDGING *(TWO FEET REQUIRED)	33-0020	1
23	LOCKNUT	30-0159	2	64	BELTGUARD BACK	N/A	1
24	BRACKET	13-0003A01	1	65	DECAL - WARNING (SEE 71-1032)	N/A	1
25	BOLT	27-0576	1	66	ENGINE SHIM	33-0169	4
26	HOSE	15-0035	1	67	KEY	43-0078	1
27	HOSE CLAMP	42-0011	2	68	DECAL - RISK OF FIRE (SEE 71-1032)	N/A	1
28	BARB	23-0045	2	69	DECAL - RISK OF BURNS (SEE 71-1032)	N/A	1
29	UNLOADER	8-0032	1	70	ENGINE - HONDA	1-0086	1
30	NIPPLE	24-0031	1	-	ENGINE - SUBARU 14.0 HP RECOIL	1-0176	1
31	MANIFOLD BLOCK	51-0012	1	71	HOSE ASSEMBLY	851-0338	1
32	LOCKWASHER	29-0008	2	72	QUICK CONNECT	17-0006	1
33	BOLT	27-0116	2	73	HOSE	15-0209	1
34	O-RING	25-0123	2	74	QC SOCKET	17-0004	1
35	QUICK CONNECT SOCKET	17-0029	1	75	GUN/WAND ASSEMBLY	851-0095	1
36	TAG - WATER SUPPLY INLET (E)	34-0097	1	76	QUICK CONNECT	17-0005	1
37	FILTER	19-0206	1	77	GUN	16-0001	1
38	TEE	23-0043	1	78	WAND (INCLUDES GRIP & QUICK CONNECT)	16-0418	1
39	NIPPLE	23-0012	1	79	GRIP	7-0002	1
40	ELBOW	24-0105	1	80	DECAL - RISK OF INJECTION (SEE 71-1032)	N/A	1
41	TEE	23-0124	1	81	QUICK CONNECT	17-0001	1
42	RELIEF VALVE	22-0005	1	82	O-RING	25-0122	1
43	HOSE	15-0024	1	-	DECAL SET	71-1032	1
44	DECAL - PUMP (SEE 71-1032)	N/A	1	*MUST ORDER IN ONE FOOT LENGTHS			

# FRAME ASSEMBLY FOR CW-3004-4MGH/4MGR (AFTER SERIAL #10552631)

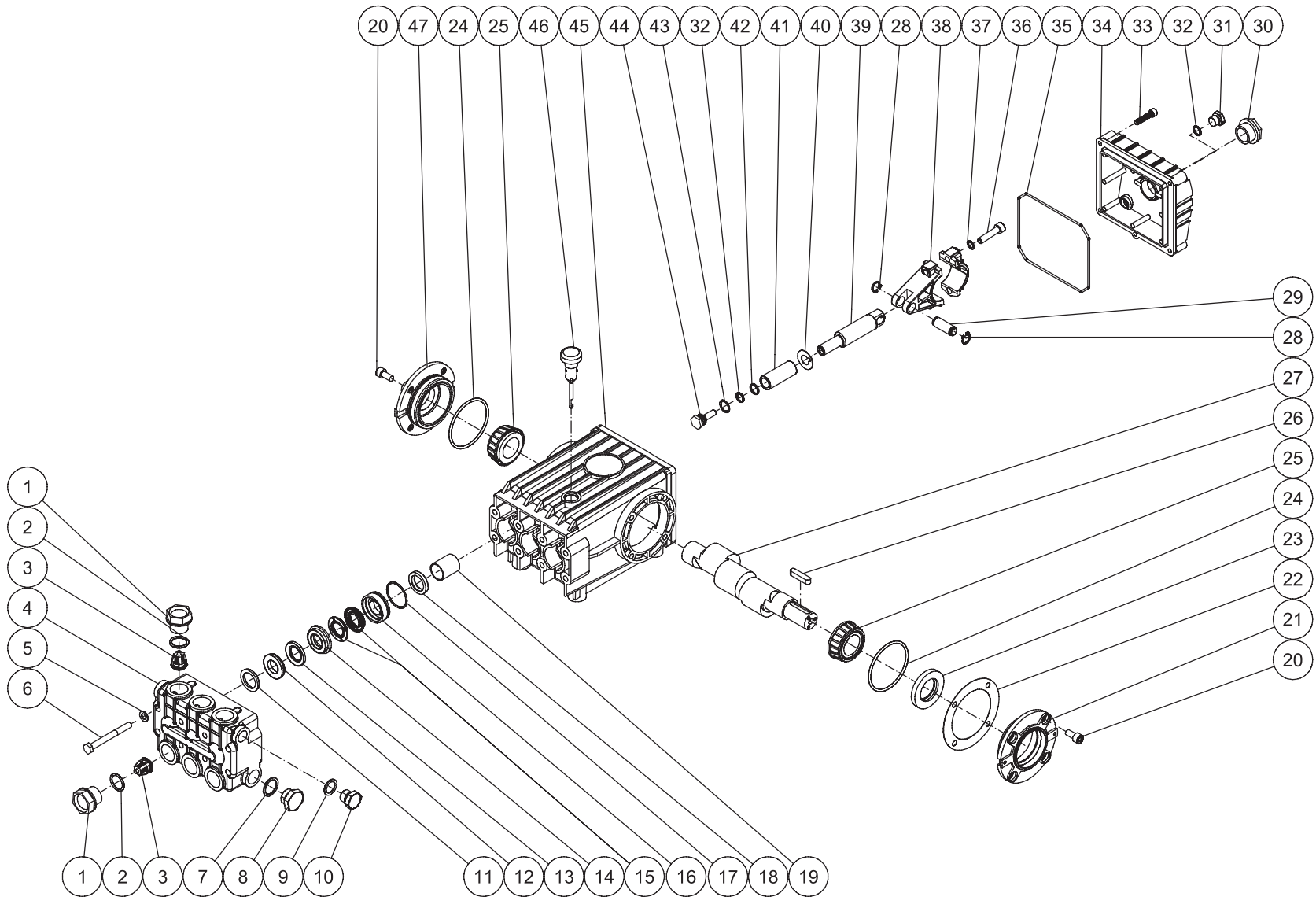


CW-3004-4MGH\_R 110314 RJA

FRAME ASSEMBLY							
ITEM	DESCRIPTION	PART #	QTY	ITEM	DESCRIPTION	PART #	QTY
1	LOCKNUT	30-0157	18	44	DECAL - PUMP (SEE 71-1035)	N/A	1
2	WASHER	28-0003	20	45	SHEAVE	10-0040	1
3	HANDLE	7-0175	1	47	BUSHING	9-0017	1
4	BOLT	27-0067	8	48	BOLT	27-0015	4
5	WHEEL	14-0127	2	49	NOZZLE 00040 QC	18-0397	1
6	LOCKNUT	30-0117	2	-	NOZZLE 15040 QC	18-0399	1
7	BOLT	27-0068	6	-	NOZZLE 25040 QC	18-0400	1
8	UNDERBRACKET	13-0137A01	1	-	NOZZLE 40040 QC	18-0401	1
9	ISOLATOR	14-0008	2	50	DECAL - Mi-T-M (SEE 71-1035)	N/A	1
10	HANDLE	7-0174A01	1	51	DECAL - Mi-T-M STRIPE (SEE 71-1035)	34-2584	1
11	DECAL - SILVER STICKER	N/A	1	52	BELTGUARD COVER	851-0348	1
12	BASEPLATE	5-0078A01	1	53	GROMMET	33-0001	5
13	BOLT	27-0070	4	54	DECAL - NOZZLE (SEE 71-1035)	N/A	1
14	PUMP	3-0202	1	55	FASTENER	33-0197	1
15	LOCKNUT	30-0161	4	56	DECAL - OPERATION (SEE 71-1035)	N/A	1
16	WASHER	28-0030	8	57	BELTGUARD COVER	N/A	1
17	PUMP BRACKET	5-0101A01	1	58	EDGING *(FOUR FEET REQUIRED)	33-0020	1
18	LOCKWASHER	29-0055	4	59	BUSHING	9-0005	1
19	BOLT	27-8471	4	60	SHEAVE	10-0029	1
20	BOLT	27-0166	4	61	BELTGUARD BACK	851-0349	1
21	BOLT	27-0118	2	62	DECAL - WARNING (SEE 71-1035)	N/A	1
22	WASHER	28-0023	3	63	EDGING *(TWO FEET REQUIRED)	33-0020	1
23	LOCKNUT	30-0159	2	64	BELTGUARD BACK	N/A	1
24	BRACKET	13-0003A01	1	65	DECAL - WARNING (SEE 71-1035)	N/A	1
25	BOLT	27-0576	1	66	ENGINE SHIM	33-0169	4
26	HOSE	15-0035	1	67	KEY	43-0078	1
27	HOSE CLAMP	42-0011	2	68	DECAL - RISK OF FIRE (SEE 71-1035)	N/A	1
28	BARB	23-0045	2	69	DECAL - RISK OF BURNS (SEE 71-1035)	N/A	1
29	UNLOADER	8-0032	1	70	ENGINE - HONDA (4MGH)	1-0086	1
30	NIPPLE	24-0031	1	-	ENGINE - SUBARU (4MGR)	1-0176	1
31	MANIFOLD BLOCK	51-0012	1	71	HOSE ASSEMBLY	851-0338	1
32	LOCKWASHER	29-0008	2	72	QUICK CONNECT	17-0006	1
33	BOLT	27-0116	2	73	HOSE	15-0209	1
34	O-RING	25-0123	2	74	QC SOCKET	17-0004	1
35	QUICK CONNECT SOCKET	17-0029	1	75	GUN/WAND ASSEMBLY	851-0095	1
36	TAG - WATER SUPPLY INLET (E)	34-0097	1	76	QUICK CONNECT	17-0005	1
37	FILTER	19-0206	1	77	GUN	16-0001	1
38	TEE	23-0043	1	78	WAND (INCLUDES GRIP & QUICK CONNECT)	16-0418	1
39	NIPPLE	23-0012	1	79	GRIP	7-0002	1
40	ELBOW	24-0105	1	80	DECAL - RISK OF INJECTION (SEE 71-1035)	N/A	1
41	TEE	23-0124	1	81	QUICK CONNECT	17-0001	1
42	RELIEF VALVE	22-0005	1	82	O-RING	25-0122	1
43	HOSE	15-0024	1	-	DECAL SET	71-1035	1

\*MUST ORDER IN ONE FOOT LENGTHS

# PUMP ASSEMBLY (3-0202) (AFTER SERIAL #10375000)



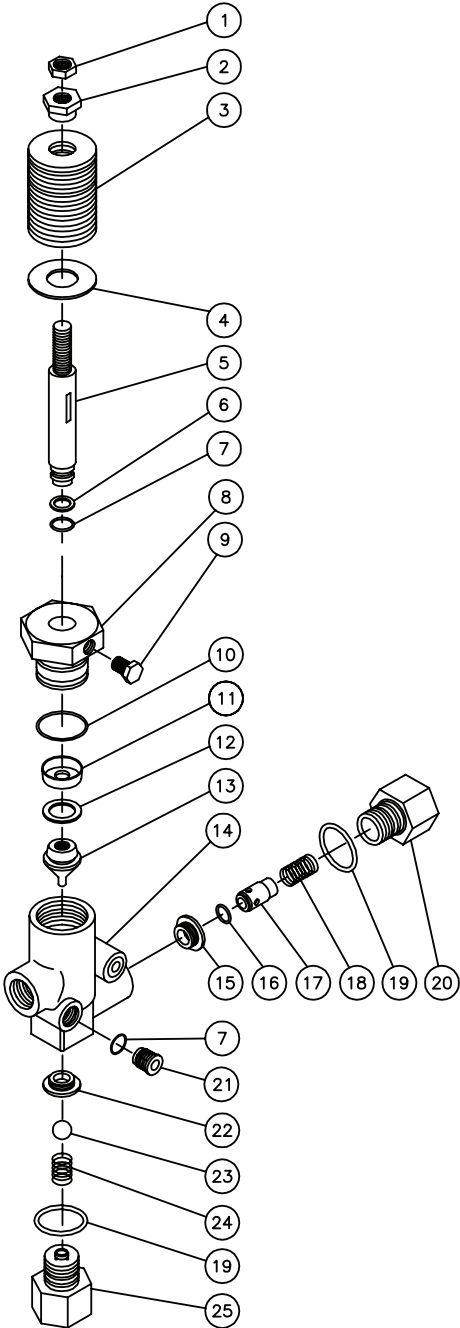
3-0202\_3-0203-010408-JJT



## PUMP ASSEMBLY

REF. #	DESCRIPTION	PART #	QTY.	REF. #	DESCRIPTION	PART #	QTY.	REF. #	DESCRIPTION	PART #	QTY.
1	Valve Plug	46-0889	6	18	Oil Seal	26-0047	3	35	O-ring Cover	25-0339	1
2	O-ring	25-0012	6	19	Bushing	9-0029	3	36	Bolt	27-8435	6
3	Valve Assembly (See 70-0009)	N/A Sep.	6	20	Bolt	27-8431	8	37	Lockwasher	29-0154	6
4	Manifold	46-0890	1	21	Crankcase Open Cover	46-0296	1	38	Connecting Rod	46-0051	3
5	Flatwasher	28-1039	8	22	Shim	46-0113	1	39	Piston Rod	46-0056	3
6	Bolt	27-8185	8	23	Oil Seal	26-0049	1	40	Washer	46-0146	3
7	Washer	28-1038	2	24	O-ring	25-0013	2	41	Plunger	46-0052	3
8	Plug	39-0019	2	25	Bearing	48-0012	2	42	Back-up Ring	46-0109	3
9	Washer	28-1002	2	26	Key	43-0048	1	43	Washer	28-0400	3
10	Plug	39-0018	2	27	Crankshaft	N/A	1	44	Bolt	46-0069	3
11	O-ring (See 70-0030)	N/A Sep.	3	28	Retaining Ring	46-0103	6	45	Crankcase	46-0047	1
12	V-Packing	26-0098	3	29	Connecting Rod Pin	43-0032	3	46	Oil Dip Stick	46-0144	1
13	Ring	25-0207	3	30	Oil Level Indicator	46-0114	1	47	Crankcase Cover	46-0336	1
14	High Pressure Intermediate Seal Retainer	46-0659	3	31	Plug	39-0017	1		Valve Kit (6 each 3)	70-0009	
15	Low Pressure Seal	N/A Sep.	3	32	O-ring	25-0014	4		Head Ring Kit (1 each 11)	70-0030	
16	Low Pressure Seal Retainer	46-0057	3	33	Bolt	27-8404	5		V-Packing Kit (3 each 12, 13, 15)	70-0147	
17	O-ring	25-0015	3	34	Crankcase Cover	46-0295	1		Intermediate Retainer Kit (3 each 13, 14)	70-0148	
									V-Packing Assembly (3 each 11-13, 15, 17)	852-0122	

UNLOADER ASSEMBLY (8-0032)



OMGEN074-083094-BAR

UNLOADER ASSEMBLY (8-0032)			
REF.#	DESCRIPTION	PART #	QTY.
1	Locknut	30-3058	1
2	Adjusting Nut	8-0089	1
3	Spring Washers - Orange	8-0009	15
4	Washer	28-0250	1
5	Valve Stem	8-0037	1
6	Backup Ring	8-0038	1
7	O-ring	25-0009	5
8	Valve Cap	8-0036	1
9	Set Screw	8-0084	1
10	O-ring	25-0008	1
11	Cup	8-0034	1
12	Back-up Ring	8-0040	1
13	Piston	8-0039	1
14	Valve Body	8-0164	1
15	Outlet Seat	8-0006	1
16	O-ring	25-0011	1
17	Outlet Valve	8-0004	1
18	Spring	49-0016	1
19	O-ring	25-0010	2
20	Outlet Retainer	8-0003	1
21	Brass Plug	8-0011	4
22	Valve Seat	8-0005	1
23	Ball	8-0041	1
24	Spring	49-0015	1
25	Inlet Retainer	8-0165	1
	Unloader Repair Kit (Inc. 6, 7, 10-12, 16 and 19)	70-0044	

---

**NOTES**

---

**SERIAL NUMBER BREAK**

#10552631

**DATE**

121610

**REASON**

CHANGED PAINT CODE FROM A42 TO A01. (UNITS CHANGED FROM GRAY TO BLACK)

---

NOTES

Manufactured by Mi-T-M  
8650 Enterprise Drive, Peosta IA 52068  
563-556-7484/ Fax 563-556-1235