



PARTS LIST FOR  
***CM-1400-OMEH***  
(AFTER SERIAL #10568358)

Motor Horsepower:	1.5 H.P.
Pump Oil Grade:	Mi-T-M Pump Oil #AW-4085-0016
Pump Oil Capacity:	11.2 oz.
Nozzle Size:	.95 mm

This Parts Listing has been compiled for your benefit. You can be assured your cold water pressure washer was constructed and designed with quality and performance in mind. Each component has been rigorously tested to insure the highest level of quality.

The contents of this Parts Listing are based on the latest product information available at the time of publication. The manufacturer reserves the right to make changes in price, color, materials, equipment, specifications or models at any time without notice.

### **WARNING**

THIS IS A PROFESSIONAL HIGH PRESSURE, COLD WATER PRESSURE WASHER. CAUTION SHOULD BE OBSERVED WHEN USING OR REPAIRING THIS UNIT! READ AND FOLLOW THE SAFETY WARNINGS LISTED BELOW BEFORE ATTEMPTING ANY REPAIRS ON THIS PRESSURE WASHER!

### **SAFETY WARNINGS**

1. NEVER alter or modify the equipment. Be sure any accessory items and system components being used will withstand the pressure developed. Use only genuine manufacturer parts for repair of your pressure washer. Failure to do so can cause hazardous operating conditions and will VOID warranty.
2. NEVER make adjustments on machinery while the unit is connected to the engine without first removing the ignition cable from the spark plug. Turning over the machinery by hand during adjustment or cleaning might start the engine and machinery with it, causing serious injury to the operator.
3. Know how to stop and bleed pressures quickly. Be thoroughly familiar with controls.
4. Before servicing the unit, turn unit off, relieve the water pressure and allow the unit to cool down. Do not make repairs while the unit is running. Service in a clean, dry, flat area. Block the wheels to prevent the unit from moving. Be especially careful to properly dispose of any flammable materials.
5. After testing the machine, DO NOT leave the pressurized unit unattended. Shut off the unit and release trapped pressure before leaving.

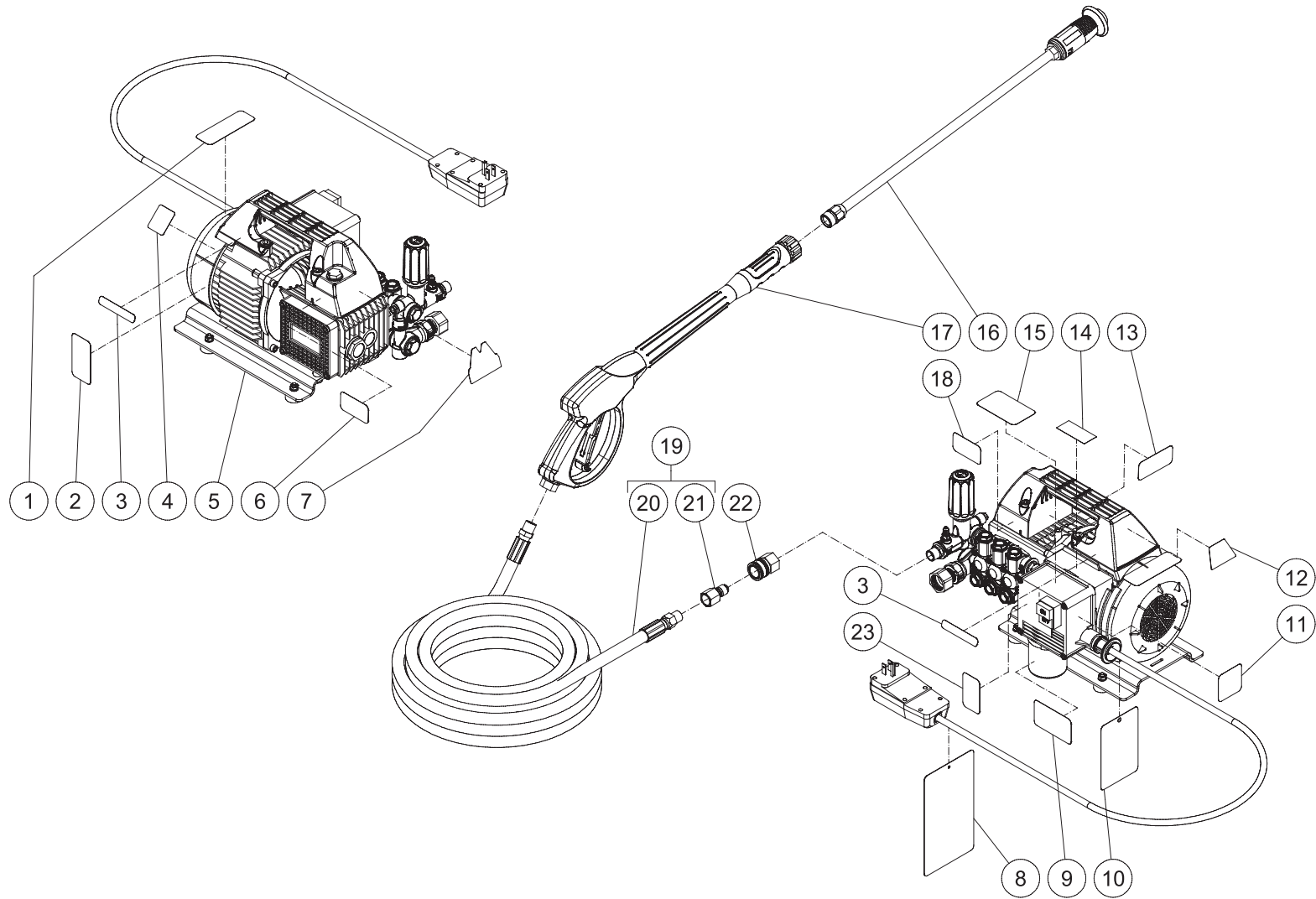
### **Table of Contents**

<b>SPECIFICATIONS</b> .....	<b>3</b>
<b>FRAME ASSEMBLY FOR CM-1400-0MEH (AFTER SERIAL #10568358)</b> .....	<b>4</b>
<b>MOTOR / PUMP ASSEMBLY (3-0366)</b> .....	<b>6</b>
<b>NOTES</b> .....	<b>8</b>

## SPECIFICATIONS

MODEL NUMBER	CM-1400-0MEH
<b>Operating Pressure (PSI/Bar):</b>	1400/96.5
<b>High Pressure Nozzle:</b>	.95 mm
<b>Water Volume (GPM/lpm):</b>	1.5/5.6
<b>Motor:</b>	Totally enclosed fan cooled, circuit breaker thermal overload protection, 35ft. power supply cord with Ground Fault Circuit Interrupter (GFCI)
Horsepower	1.5
Voltage	120
Phase	Single
Amps	15.0
<b>Pump:</b>	Direct Driven, Oil Bath, Triplex Piston
Oil Type	Mi-T-M Pump Oil #AW-4085-0016
Oil Capacity (oz./liters)	11.2/0.33
Plungers	Ceramic
Manifold	Forged Brass
Valves	Stainless Steel
Unloader	Adjustable
Thermal Relief Valve	Relieves heated water during unloader bypass stage
Detergent Injector	Adjustable low pressure down stream from pump
<b>Unit Net Weight (lbs/Kg)</b>	45/20.4
<b>Unit Shipping Weight (lbs/Kg)</b>	52/23.5
<b>Unit Net Dimension (in/cm)</b>	12Lx9.5Wx9.75H/30.5Lx24Wx24.5H
<b>Unit Shipping Dimension (in/cm)</b>	23.5Lx14.25Wx14H/59.5Lx36Wx35.5H

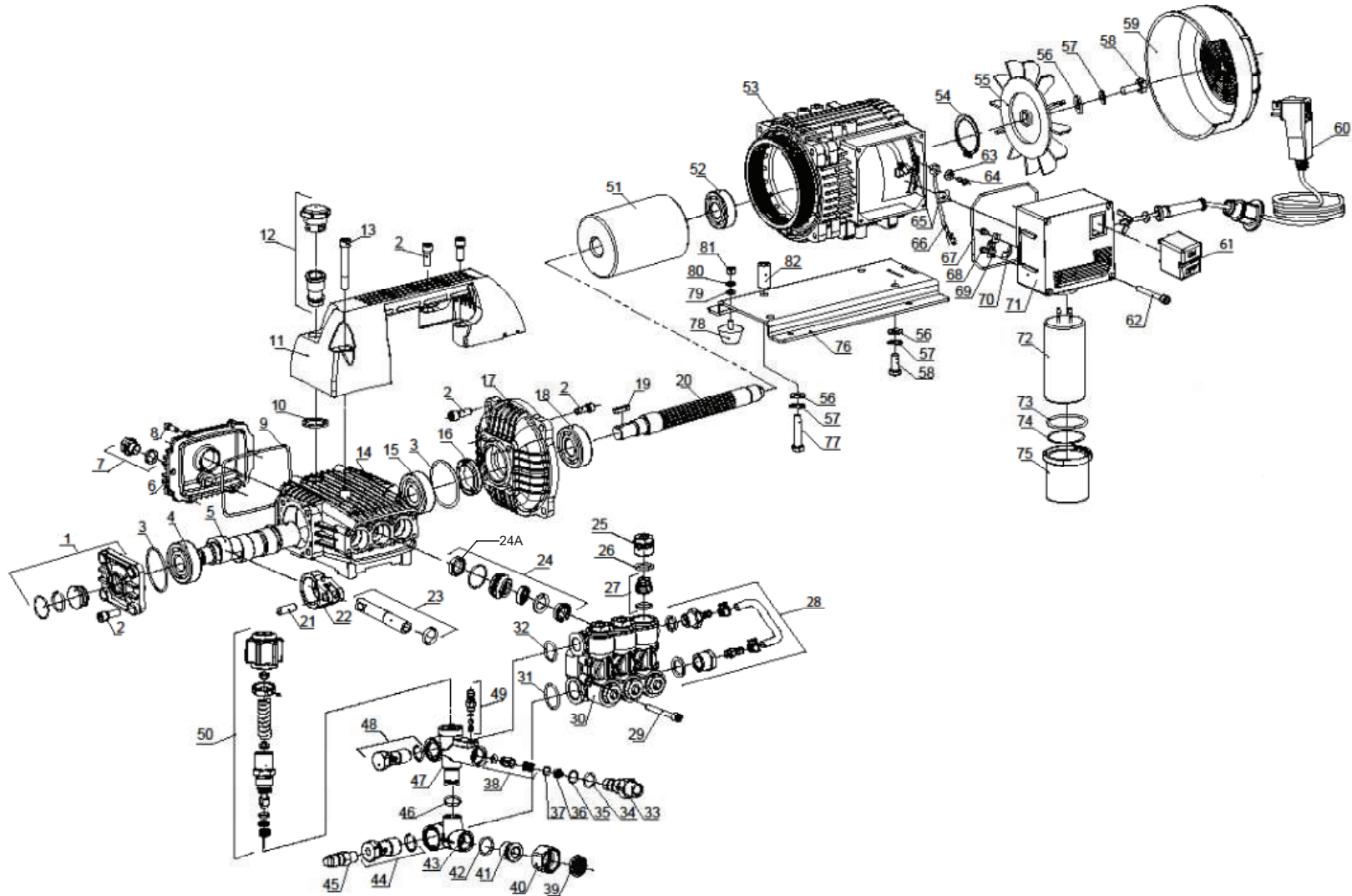
# FRAME ASSEMBLY FOR CM-1400-0MEH (AFTER SERIAL #10568358)



CM-1400-0MEH-101211-AJH

CM-1400-0MEH 101211 AJH			
CM-1400-0MEH			
ITEM	DESCRIPTION	PART #	QTY
1	DECAL-WARN:RISK OF INJ/EXP (SEE 34-9004)	N/A	1
2	DECAL-CAUTION:RISK OF INJ (SEE 34-9004)	N/A	1
3	DECAL CHOREMASTER 1400 PSI	34-2201	2
4	DECAL-CONNECT CIRCUIT BR. (SEE 34-9004)	N/A	1
5	PUMP/MOTOR	3-0366	1
6	DECAL - WARNING (SEE 34-9004)	N/A	1
7	DECAL - Mi-T-M	34-2167	1
8	TAG - WARNING RISK OF ELECTROCUTION	34-1035	1
9	DECAL-WARN:RISK OF ELE. (SEE 34-9004)	N/A	1
10	HANG TAG-WARN/CAUTION	34-1432	1
11	DECAL-CONNECT CIRCUIT BR. (SEE 34-9004)	N/A	1
12	DECAL-CAUTION:HOT SURFACE (SEE 34-9004)	N/A	1
13	DECAL-DATA PLATE	N/A	1
14	DECAL - SMALL 800-228-6172	34-1664	1
15	DECAL-WARN:RISK OF ELE. (SEE 34-9004)	N/A	1
16	LANCE	16-0444	1
17	GUN	16-0441	1
18	DECAL:WARN.WATER-DON'T SPR (SEE 34-9004)	N/A	1
19	HOSE ASS'Y	851-0359	1
20	HOSE	15-0138	1
21	QUICK CONNECT	17-0006	1
22	QC SOCKET	17-0004	1
23	DECAL-CAUTION:RISK OF INJ (SEE 34-9004)	N/A	1
-	DECAL SET	34-9004	1

# MOTOR / PUMP ASSEMBLY (3-0366)



3-0366-082213-KMD

PUMP ASSEMBLY							
ITEM	DESCRIPTION	PART #	QTY	ITEM	DESCRIPTION	PART #	QTY
1	KIT - OIL SIGHT GLASS/COVER	70-0568	1	42	O-RING	25-0221	1
2	SCREW	27-8432	14	43	INLET TEE CONNECTOR	46-1447	1
3	O-RING	25-0634	2	44	KIT - INLET BANJO BOLT	70-0576	1
4	BALL BEARING	48-0087	1	45	THERMAL RELIEF VALVE	22-0408	1
5	CRANKSHAFT	46-1433	1	46	O-RING	25-0641	2
6	CRANKCASE COVER	46-1434	1	47	OUTLET TEE CONNECTOR	46-1448	1
7	KIT - OIL DRAIN	70-0569	1	48	KIT - OUTLET BANJO BOLT	70-0575	1
8	SCREW	27-0896	6	49	KIT - CHEMICAL INJECTOR	70-0578	1
9	O-RING	25-0635	1	50	KIT - UNLOADER	70-0577	1
10	SEAL	26-0376	1	51	ROTOR	52-0080	1
11	HANDLE	46-1435	1	52	BALL BEARING	48-0090	1
12	KIT - OIL FILL	70-0570	1	53	MOTOR HOUSING W/ STATOR	52-0081	1
13	SCREW	27-0897	1	54	CLIP RING	52-0083	1
14	CRANKCASE	46-1436	1	55	MOTOR FAN	52-0084	1
15	BALL BEARING	48-0024	1	56	PLAIN WASHER	28-1011	1
16	OIL SEAL	26-0377	1	57	LOCKWASHER	29-0054	1
17	MOTOR FLANGE	46-1437	1	58	SCREW	27-8032	3
18	BALL BEARING	48-0086	1	59	FAN COVER	52-0085	1
19	FLAT KEY	46-1438	1	60	GFCI - 3 PRONG	32-0352	1
20	MOTOR SHAFT	52-0088	1	61	POWER SWITCH	32-1089	1
21	PLUNGER PIN	46-1439	3	62	SCREW	27-0903	4
22	CONNECTING ROD	46-1440	3	63	GASKET	28-0136	1
23	KIT - PLUNGER (FOR ALL 3 CYLINDERS)	70-0571	1	64	SCREW	27-0900	1
24	KIT - PACKING (FOR ALL 3 CYLINDERS)	70-0572	1	65	GROUNDING LABEL	N/A	2
24A	OIL SEAL	26-0389	3	66	GROUNDING LEAD ASSEMBLY	32-1090	1
25	VALVE PLUG	46-1441	6	67	O-RING	25-0398	1
26	O-RING	25-0636	6	68	SCREW - SELF TAP	27-0901	2
27	KIT - VALVE (FOR ALL 3 CYLINDERS, INCLUDES 6 VALVES)	70-0573	1	69	WIRE CLAMP	32-1091	1
28	KIT - EASY START ASSEMBLY	70-0579	1	70	TRANSPARENT CLAMP	32-1092	1
29	SCREW	27-0898	8	71	ELECTRICAL BOX	32-1093	1
30	MANIFOLD	46-1442	1	72	CAPACITOR	32-1094	1
31	O-RING	25-0299	1	73	O-RING	25-0642	1
32	O-RING	25-0637	1	74	O-RING	25-0643	1
33	NIPPLE	46-1443	1	75	CAPACITOR COVER	32-1095	1
34	O-RING	25-0638	1	76	BASEPLATE	52-0086	1
35	O-RING	25-0639	1	77	SCREW	27-0902	2
36	NOZZLE	46-1444	1	78	RUBBER ISOLATOR FOOT	14-0126	4
37	O-RING	25-0640	1	79	PLAIN WASHER	28-0200	4
38	KIT - OUTLET VALVE	70-0574	1	80	LOCKWASHER	29-0006	4
39	INLET FILTER WASHER W/ SCREEN	19-0001	1	81	NUT	30-0057	4
40	INLET SWIVEL NUT	46-1445	1	82	BUSHING	52-0087	2
41	INLET FITTING	46-1446	1	-	KIT - COMPLETE UNLOADER (31 THROUGH 50)	70-0580	1

---

**NOTES**

---

<b>DATE</b>	<b>SERIAL NUMBER BREAK</b>	<b>REASON</b>
10-18-2011	#10568358	PUMP CHANGED FROM 3-0302 TO 3-0366



---

**NOTES**

Manufactured by Mi-T-M  
8650 Enterprise Drive, Peosta IA 52068  
563-556-7484/ Fax 563-556-1235