



PARTS LIST FOR
MH-0040-PM10
(AFTER SERIAL #5450 1014 00001)

This Parts Listing has been compiled for your benefit. You can be assured your Mi-T-M Space Heater was constructed and designed with quality and performance in mind. Each component has been rigorously tested to insure the highest level of acceptance.

The contents of this Parts Listing are based on the latest product information available at the time of publication. Mi-T-M reserves the right to make changes in price, color, materials, equipment, specifications or models at any time without notice.

WARNING

THIS IS A PROFESSIONAL SPACE HEATER. CAUTION SHOULD BE OBSERVED WHEN USING OR REPAIRING THIS UNIT! READ AND FOLLOW THE SAFETY WARNINGS LISTED BELOW BEFORE ATTEMPTING ANY REPAIRS ON THIS SPACE HEATER!

SAFETY WARNINGS

1. NEVER alter or modify the equipment. Use only genuine Mi-T-M parts for repair of your space heater. Failure to do so can cause hazardous operating conditions and will VOID warranty.
2. Be thoroughly familiar with controls.
3. Before servicing the unit, turn unit off, and allow the unit to cool down. Do not make repairs while the unit is running. Service in a clean, dry, flat area. Be especially careful to properly dispose of any flammable materials.

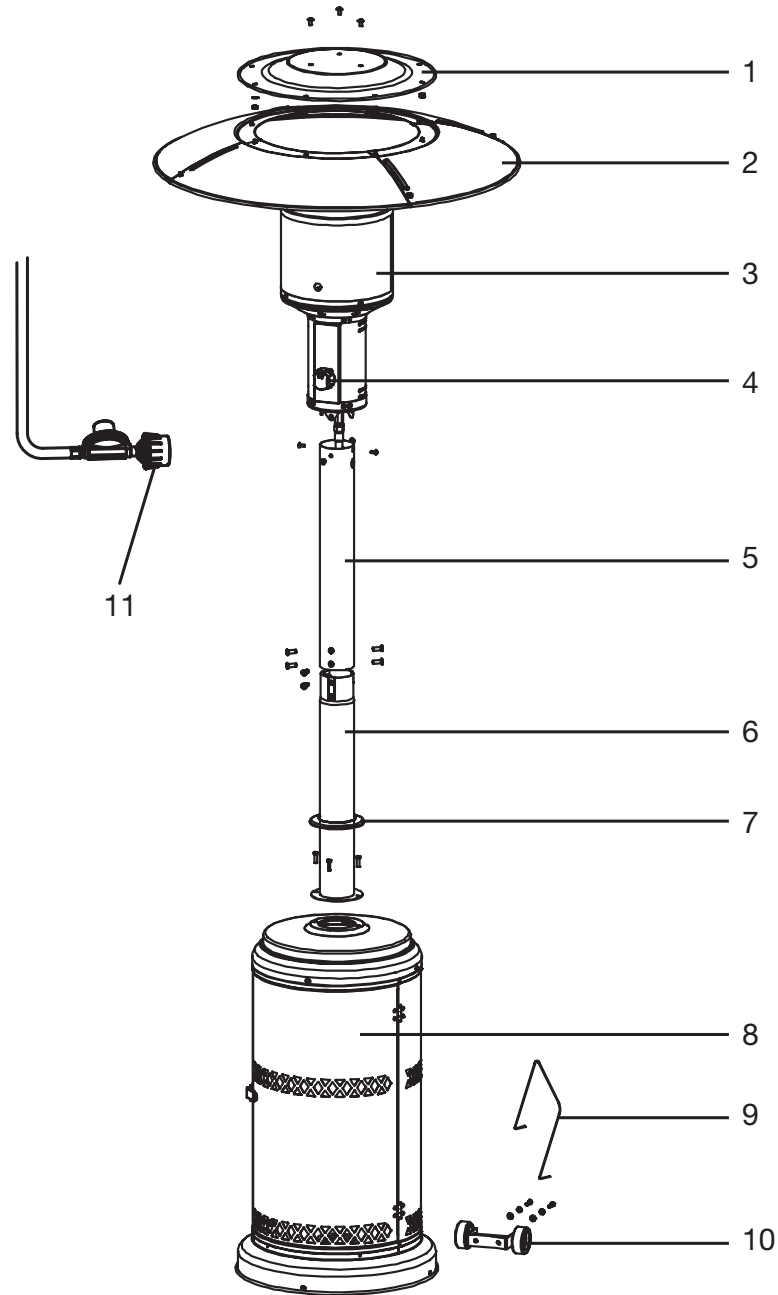
Table of Contents

SPECIFICATIONS.....3
FRAME ASSEMBLY (AFTER SERIAL # 5450 1014 00001).....4

SPECIFICATIONS

Model	MH-0040-PM10
Rating BTU/Hr	40,000
Fuel	PROPANE LP
Supply Pressure (PSI)	150 PSI MAX
Manifold Pressure	11"
Size (Height)	7'4"
Size (Diameter)	32 5/16"
Net Weight (Lbs)	59

FRAME ASSEMBLY (AFTER SERIAL # 5450 1014 00001)



MH-0040-PM10 100214

MH-0040-PM10 100214

FRAME ASSEMBLY

ITEM NO.	DESCRIPTION	PART NO.	QTY.
1	CENTER REFLECTOR CAP	68-6141	1
2	REFLECTOR SHIELDS	68-6149	4
3	BURNER HEAD	68-6142	1
4	KNOB	68-6140	1
5	UPPER POLE	68-6202	1
6	LOWER POLE	68-6203	1
7	DECORATIVE CAP	68-6204	1
8	BASE	68-6205	1
9	CYLINDER LOCKING BAR	68-6206	1
10	WHEEL ASSEMBLY	68-6207	1
11	HOSE AND REGULATOR	68-6208	1

Manufactured by Mi-T-M
8650 Enterprise Drive, Peosta IA 52068
563-556-7484/ Fax 563-556-1235