



PARTS LIST FOR  
***MWT-0510-2MHD***  
***WATER TRAILER***

This Parts Listing has been compiled for your benefit. You can be assured your Mi-T-M Water Trailer was constructed and designed with quality and performance in mind. Each component has been rigorously tested to insure the highest level of acceptance.

The contents of this Parts Listing are based on the latest product information available at the time of publication. Mi-T-M reserves the right to make changes in price, color, materials, equipment, specifications or models at any time without notice.

**WARNING**

THIS IS A PROFESSIONAL WATER TRAILER. CAUTION SHOULD BE OBSERVED WHEN USING OR REPAIRING THIS UNIT! READ AND FOLLOW THE SAFETY WARNINGS LISTED BELOW BEFORE ATTEMPTING ANY REPAIRS ON THIS WATER TRAILER!

**SAFETY WARNINGS**

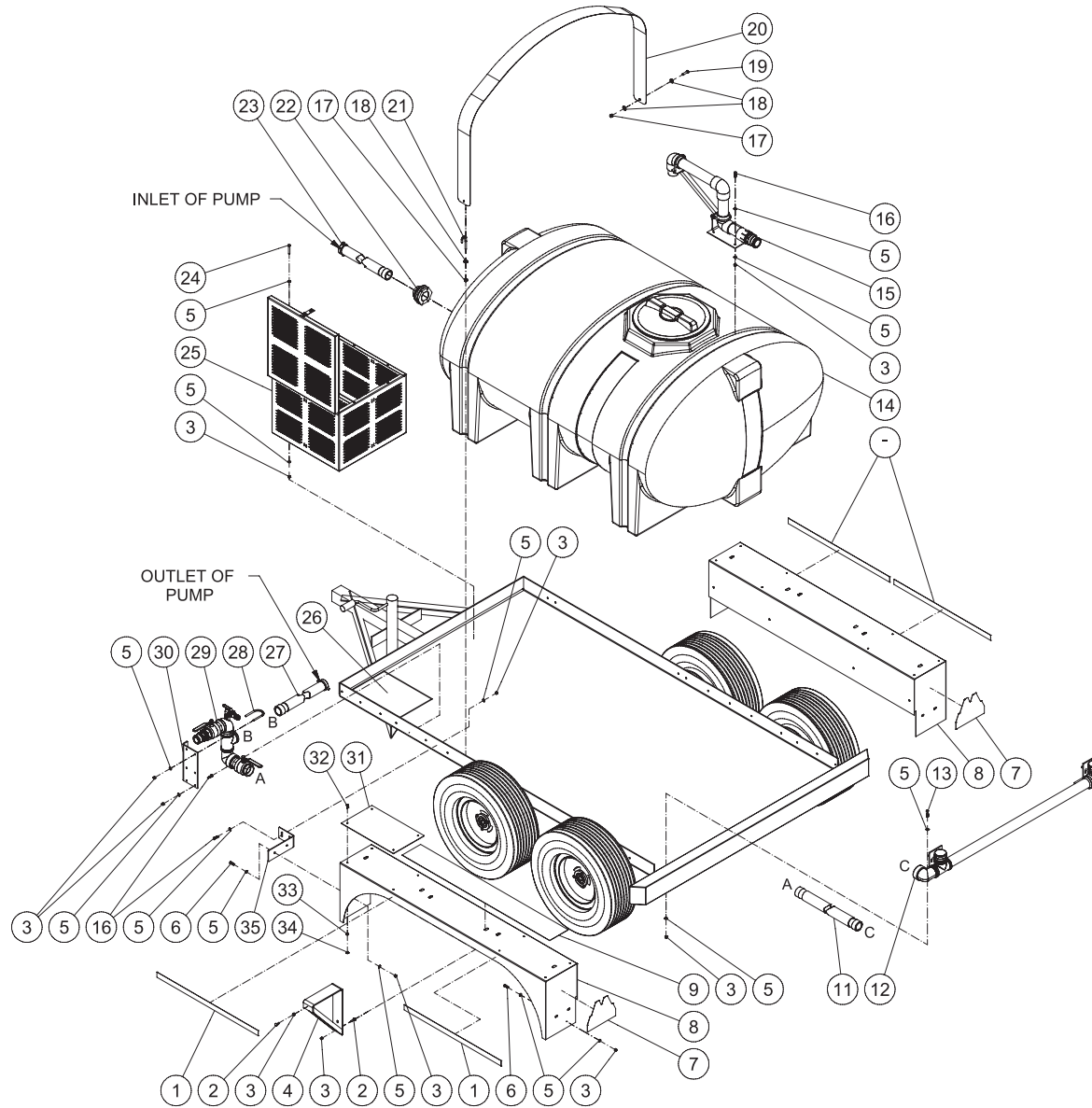
1. NEVER alter or modify the equipment. Use only genuine Mi-T-M parts for repair. Failure to do so can cause hazardous operating conditions and will VOID warranty.
2. Be thoroughly familiar with controls.

**Table of Contents**

<b>FRAME ASSEMBLY .....</b>	<b>4</b>
<b>WATER TRANSFER UNIT .....</b>	<b>6</b>
<b>PUMP ASSEMBLY (3-0377) .....</b>	<b>8</b>
<b>MANIFOLD ASSEMBLY .....</b>	<b>10</b>
<b>INLET ASSEMBLY .....</b>	<b>12</b>
<b>OUTLET ASSEMBLY .....</b>	<b>14</b>
<b>OPTION HARD SUCTION (TX-0008) .....</b>	<b>16</b>
<b>INLET MANIFOLD ASSEMBLY FOR OPTION TX-0008 .....</b>	<b>18</b>
<b>DISCHARGE MANIFOLD ASSEMBLY FOR OPTION TX-0008 .....</b>	<b>20</b>

<b>TRAILER</b>	<b>SPECIFICATIONS</b>
GROSS VEHICLE WEIGHT RATING (GVWR)	7000 lbs.
WHEELS/TIRES	TANDEM ST225 R75 15
	6 LUG NUT WHEELS
HITCH	2" BALL (OTHER STYLES AVAILABLE C/F)
OUTSIDE DIMENSIONS	156" X 81"
BED DIMENSIONS	102" X 60"
TONGUE LENGTH	54"
JACK	CENTER OF TONGUE FLAT PLATE ON BOTTOM
LIGHTS	4 WIRE SYSTEM 12 VDC
SAFETY CHAINS	STANDARD
BRAKES	4 WHEEL SURGE
TIE-DOWNS	4 "D" RINGS
<b>EQUIPMENT</b>	
TANK	510 GALLONS
	REAR SPRAY BAR
	SIDE 1 1/2" DISCHARGE (CAM -LOK)
	AUXILIARY GARDEN HOSE DISCHARGE
	2" WATER PUMP 158 GPM
	MESH STORAGE BOX

# FRAME ASSEMBLY

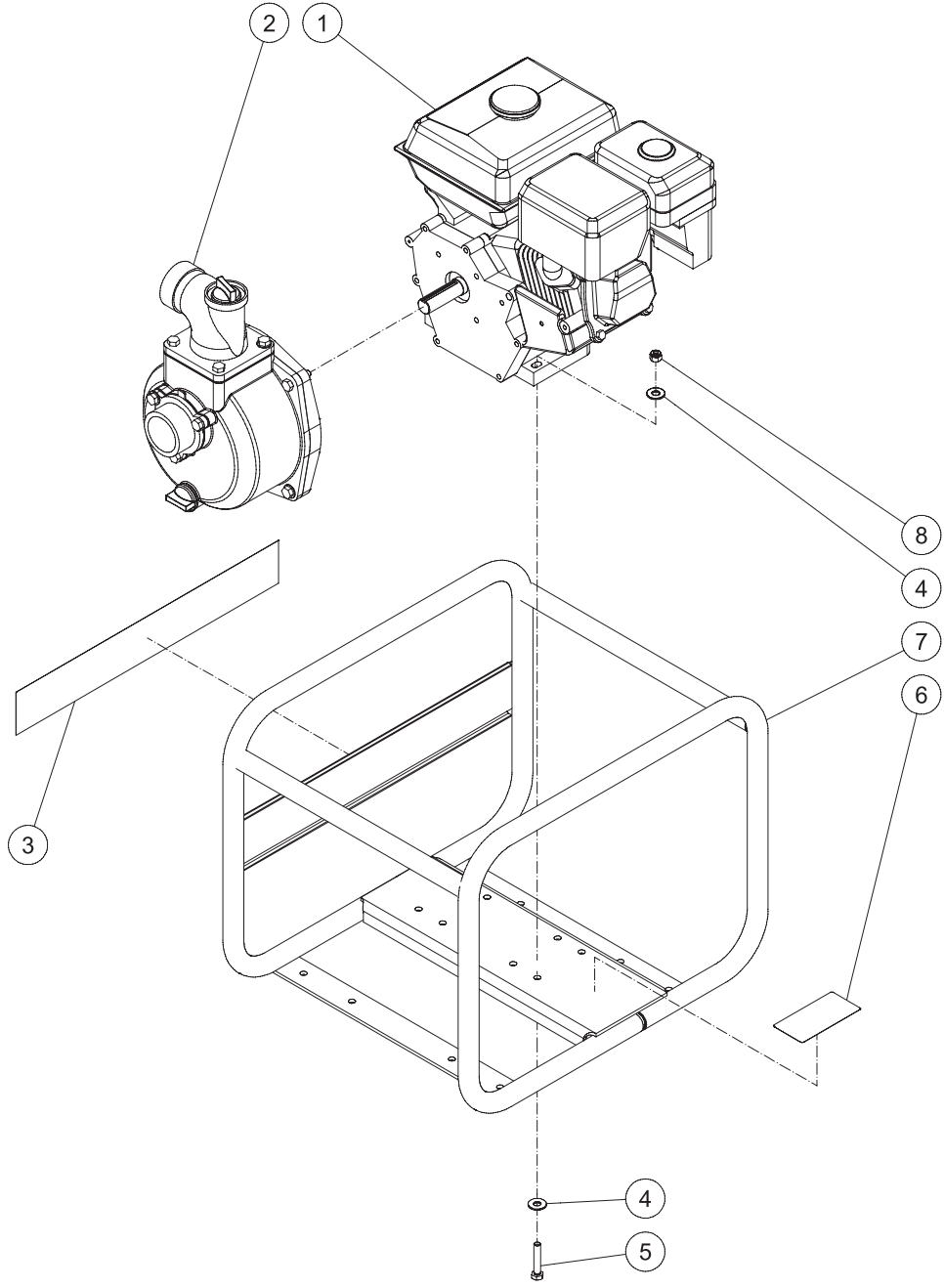


MTW-0510-2MHD 011713 KMD

## FRAME ASSEMBLY

ITEM	DESCRIPTION	Mi-T-M #	QTY	ITEM	DESCRIPTION	Mi-T-M #	QTY
1	DECAL	34-2176	4	19	BOLT	27-0119	3
2	BOLT	31-2015	6	20	STRAP	20-1191A01	3
3	LOCKNUT	30-0157	34	21	BOLT	31-2014	3
4	BRACKET	20-1206A01	2	22	BULKHEAD (INC. 25-0481 GASKET)	55-1886	1
5	WASHER	28-0003	52	23	HOSE	15-0302	1
6	BOLT	27-0067	6	24	BOLT	27-0072	4
7	DECAL - #5M	34-2171	2	25	MESH BOX	20-1194A18	1
8	FENDER	20-1049A18	2	26	PUMP	WTP-S02-1MGH	1
9	GRIP TAPE	33-0506	2	27	HOSE	15-0303	1
10	TANDEM AXLE W/SURGE BRAKES	61-0006	1	28	U BOLT	31-2012	2
11	HOSE	15-0301	1	29	MANIFOLD ASSEMBLY	MANIFOLD ASSY	1
12	OUTLET ASSEMBLY	OUTLET ASSY	1	30	BRACKET	20-1203A01	1
13	BOLT	27-0069	4	31	STEP	56-0066	2
14	TANK	12-0226	1	32	BOLT	27-0015	8
15	INLET ASSEMBLY	INLET ASSY	1	33	WASHER	28-0002	8
16	BOLT	27-0068	10	34	LOCKNUT	30-0155	8
17	LOCKNUT	30-0159	6	35	BRACKET	20-1064A01	2
18	WASHER	28-0023	9				

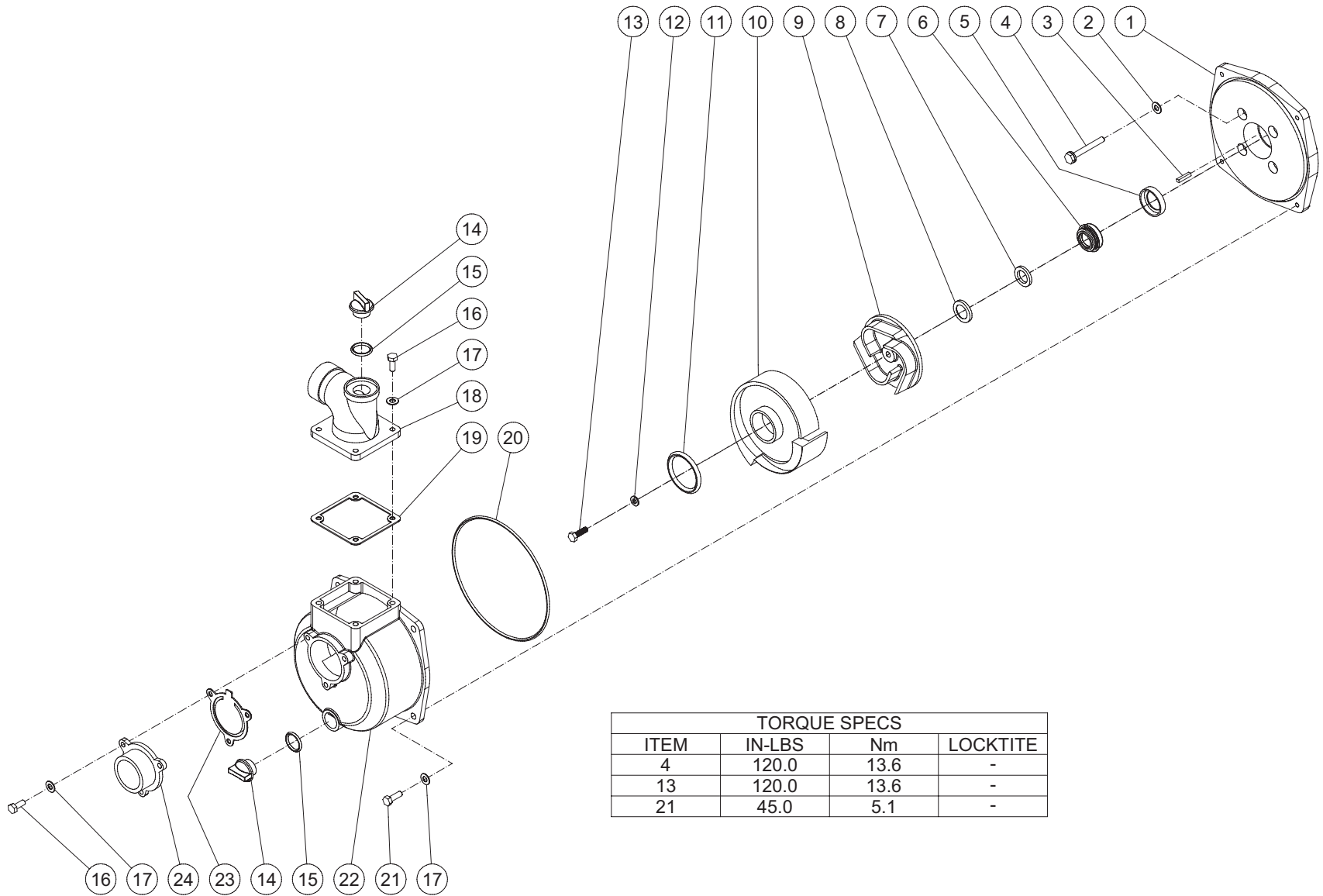
WATER TRANSFER UNIT (WTP-S02-1MGH)



WTP-S02-1MGH FOR MWT-0510-2MHD 013113 RSW

WTP-S02-1MGH FOR MWT-0510-2MHD 013113 KMD			
WATER TRANSFER UNIT			
ITEM	DESCRIPTION	Mi-T-M #	QTY
1	ENGINE	1-0012	1
2	PUMP	3-0377	1
3	Mi-T-M DECAL	34-2930	1
4	WASHER	28-0022	8
5	BOLT	27-0070	4
6	DECAL- SILVER STICKER	N/A	1
7	FRAME	5-0319A01	1
8	LOCKNUT	30-0157	4

# PUMP ASSEMBLY (3-0377)



TORQUE SPECS			
ITEM	IN-LBS	Nm	LOCKTITE
4	120.0	13.6	-
13	120.0	13.6	-
21	45.0	5.1	-

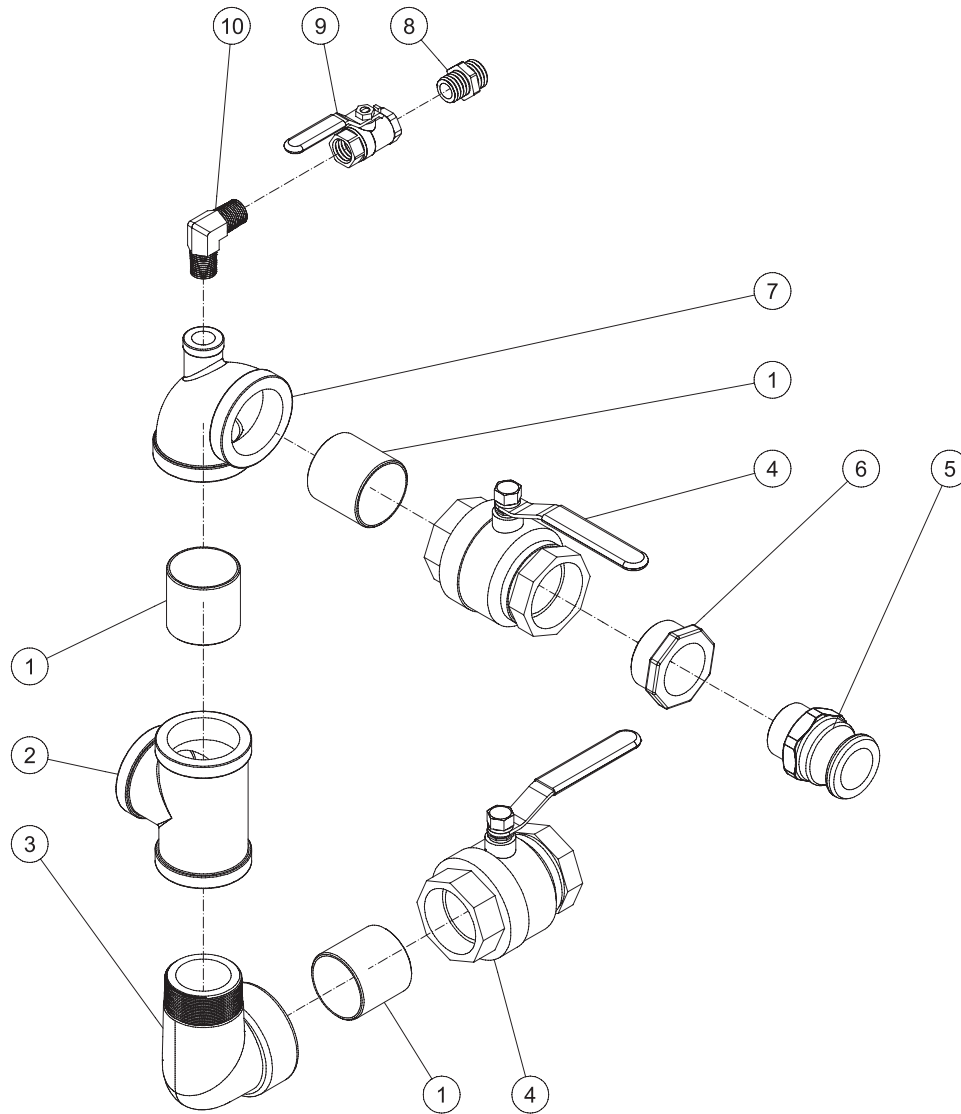
3-0377 021313 RSW



3-0377 021313 RSW			
PUMP ASSEMBLY			
ITEM	DESCRIPTION	Mi-T-M #	QTY
1	ENGINE FLANGE	N/A	1
2	WASHER (SEE 70-0604)	SEE KIT	4
3	KEY	N/A	1
4	BOLT	27-9577	4
5	GASKET (SEE 70-0604)	SEE KIT	1
6	SEAL SPRING (SEE 70-0604)	SEE KIT	1
7	CERAMIC WASHER (SEE 70-0604)	SEE KIT	1
8	SEAL GASKET (SEE 70-0604)	SEE KIT	1
9	IMPELLER	46-1497	1
10	DIFFUSER	N/A	1
11	O-RING (SEE 70-0604)	SEE KIT	1
12	WASHER	N/A	1
13	BOLT	27-0092	1
14	PLUG	39-0247	2
15	O-RING (SEE 70-0604)	SEE KIT	2
16	BOLT	27-8032	7
17	WASHER	28-0003	11
18	OUTLET FLANGE	46-1499	1
19	GASKET (SEE 70-0604)	SEE KIT	1
20	O-RING (SEE 70-0604)	SEE KIT	1
21	BOLT	27-8033	4
22	PUMP BODY	N/A	1
23	CHECK VALVE (SEE 70-0604)	SEE KIT	1
24	INLET FLANGE	46-1498	1

REPLACEMENT KITS			
Mi-T-M KIT #	DESCRIPTION	ITEMS	# OF ASSEMBLIES
70-0604	KIT - SiC SEAL KIT	2, 5-8, 11, 15, 19, 20, 23	1

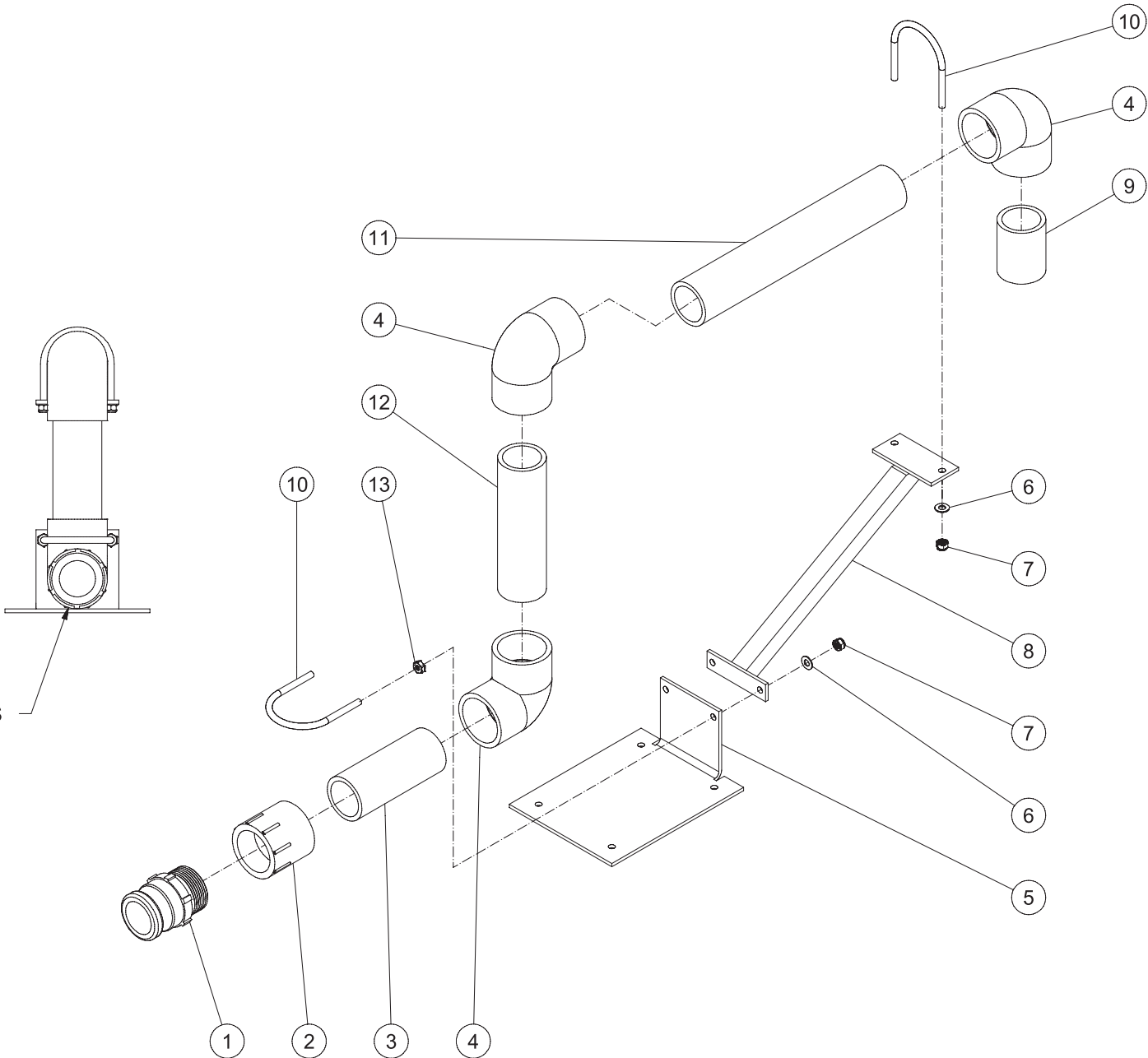
# MANIFOLD ASSEMBLY



MANIFOLD ASSEMBLY 021113-KMD

MANIFOLD ASEMBLY 021113 KMD			
MANIFOLD ASSEMBLY			
ITEM	DESCRIPTION	Mi-T-M #	QTY
1	NIPPLE	24-0201	3
2	TEE	24-0224	1
3	ELBOW	24-0334	1
4	BALL VALVE	22-0288	2
5	NIPPLE	51-0042	1
6	BUSHING	24-0190	1
7	TEE	24-0220	1
8	ADAPTER	23-0136	1
9	BALL VALVE	22-0278	1
10	ELBOW	24-0267	1

# INLET ASSEMBLY

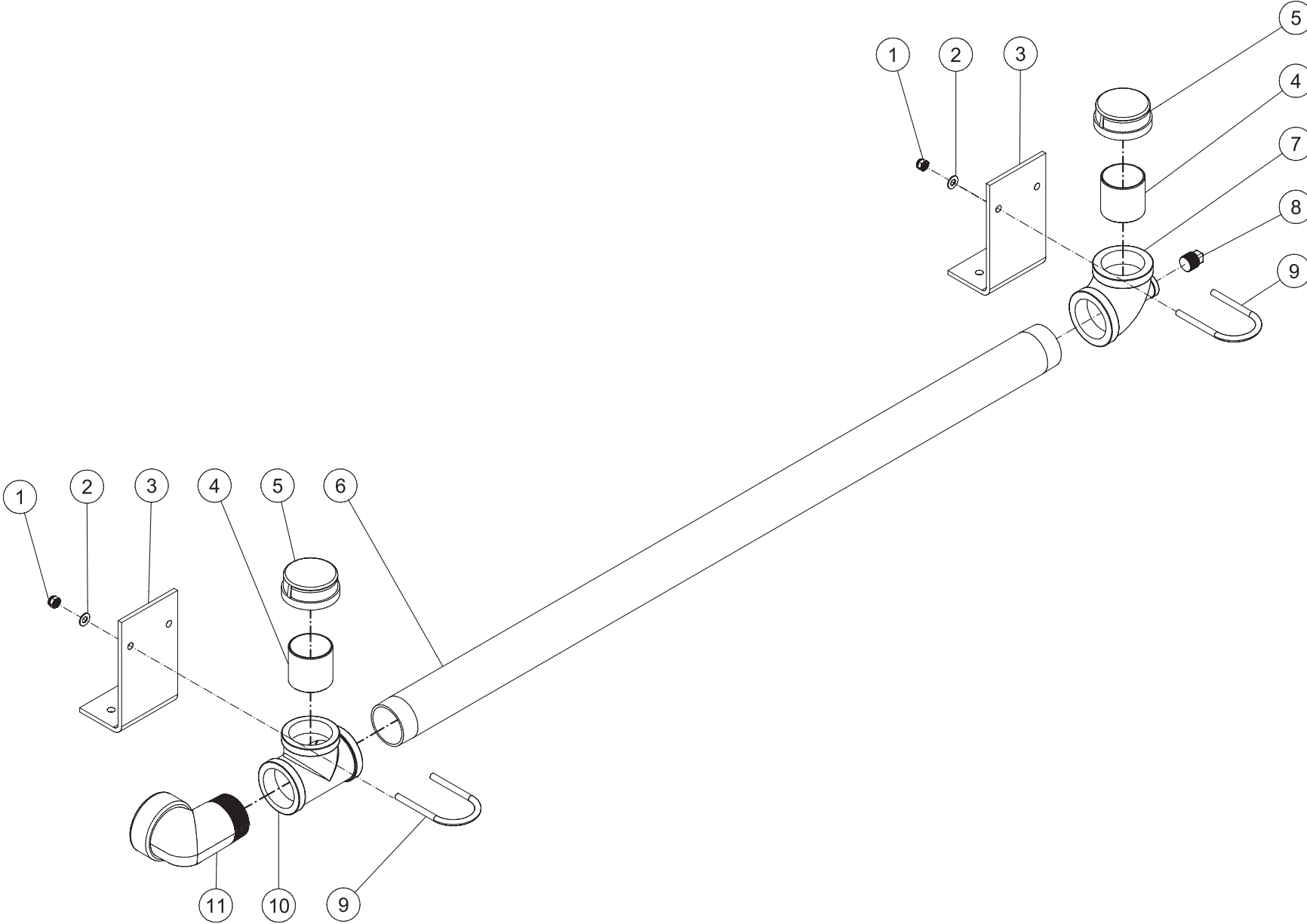


HEX ON ADAPTER NEEDS TO BE FLAT AGAINST MOUNTING PLATE

INLET ASSEMBLY 031210-CAW

INLET ASSEMBLY 031210-CAW			
INLET ASSEMBLY			
ITEM	DESCRIPTION	Mi-T-M #	QTY
1	ADAPTER	55-0054	1
2	ADAPTER	55-1821	1
3	PIPE *(ONE FOOT REQUIRED)	55-1800	1
4	ELBOW	55-1809	3
5	BRACKET	20-1190A01	1
6	WASHER	28-0003	4
7	LOCKNUT	30-0157	4
8	SUPPORT	20-1189A01	1
9	PIPE *(ONE FOOT REQUIRED)	55-1800	1
10	U BOLT	31-2013	2
11	PIPE *(TWO FEET REQUIRED)	55-1800	1
12	PIPE *(ONE FOOT REQUIRED)	55-1800	1

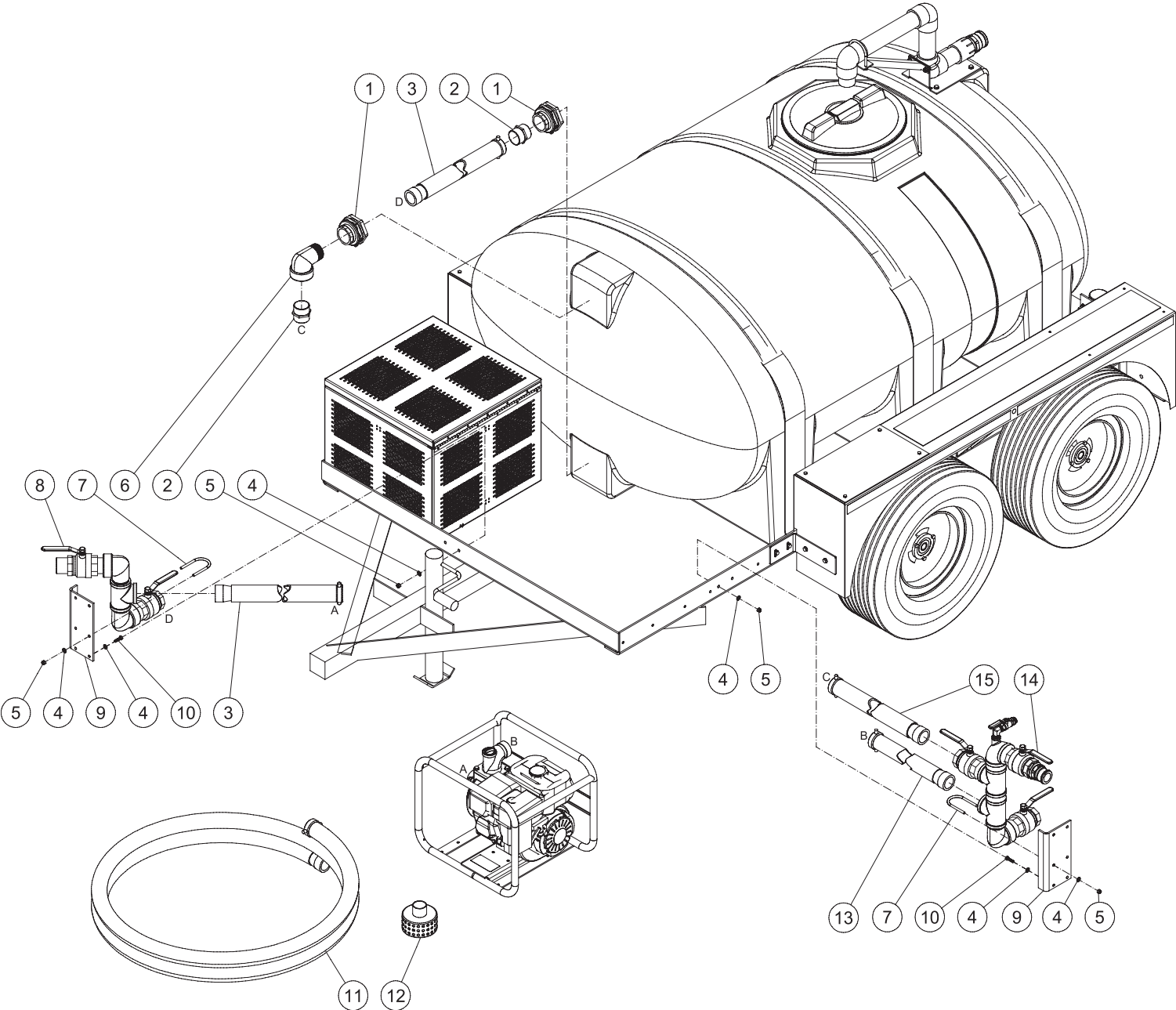
# OUTLET ASSEMBLY



OUTLET ASSEMBLY 031010-CAW

OUTLET ASSEMBLY 031010-CAW			
OUTLET ASSEMBLY			
ITEM	DESCRIPTION	MI-T-M #	QTY
1	LOCKNUT	30-0157	4
2	WASHER	28-0003	4
3	BRACKET	20-1192A01	2
4	NIPPLE	24-0201	2
5	CAP	24-0333	2
6	PIPE	20-1193	1
7	TEE	24-0220	1
8	PLUG	39-0016	1
9	U BOLT	31-2012	2
10	TEE	24-0224	1
11	ELBOW	24-0334	1

### OPTION HARD SUCTION (TX-0008)



TX-0008 081413 RJA

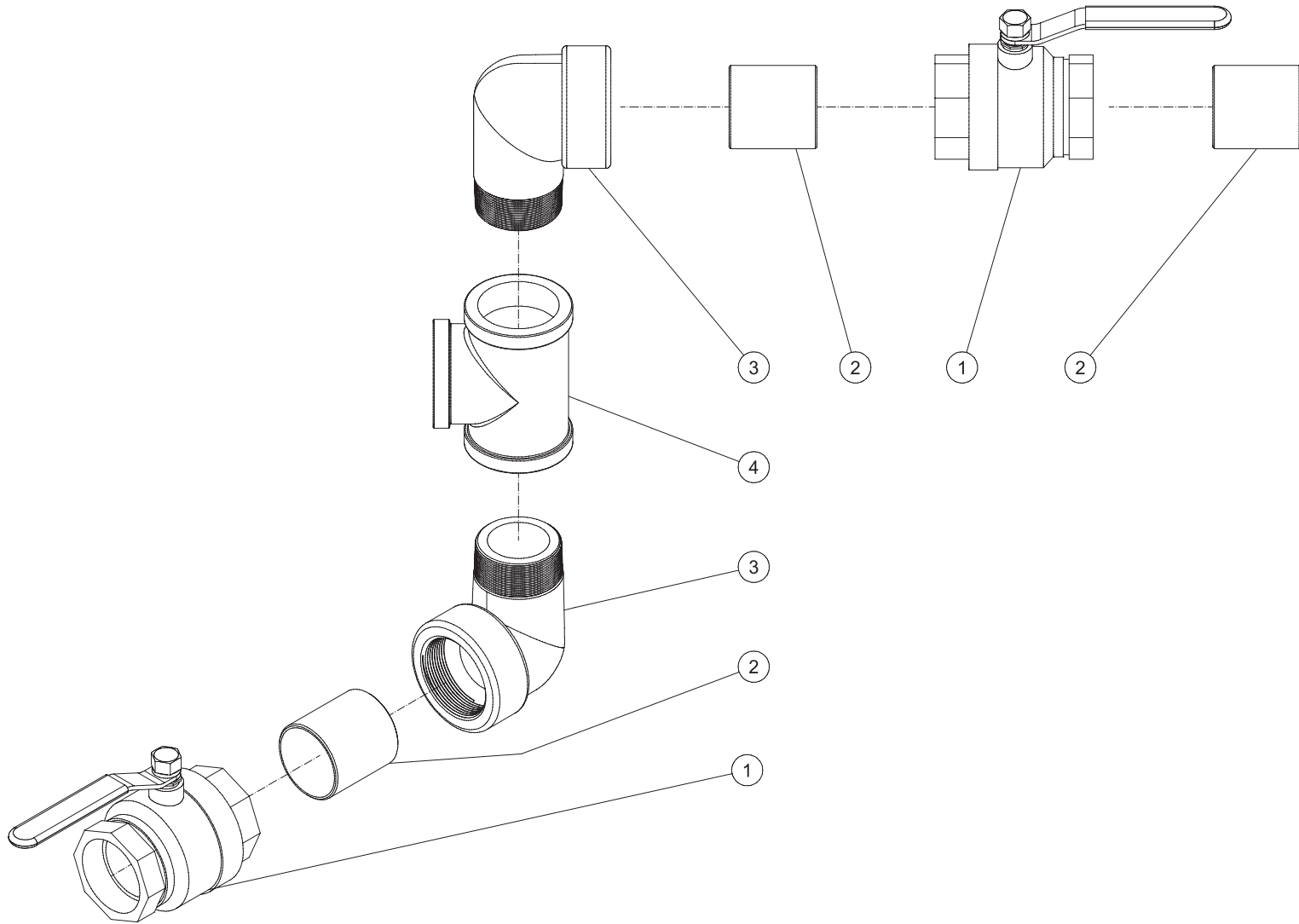


TX-0008 081413 RJA

## OPTION - HARD SUCTION (TX-0008)

ITEM	TITLE	Mi-T-M #	QTY
1	BULKHEAD (INC. 25-0481 GASKET)	55-1886	2
2	NIPPLE	55-1896	2
3	HOSE	15-0330	2
4	WASHER	28-0003	16
5	LOCKNUT	30-0157	12
6	ELBOW	24-0334	1
7	U BOLT	31-2012	4
8	INLET MANIFOLD ASSY	N/A	1
9	BRACKET	20-1203A01	2
10	BOLT	27-0068	4
11	HOSE	15-0293	1
12	STRAINER	19-0628	1
13	HOSE	15-0303	1
14	MANIFOLD ASSEMBLY	N/A	1
15	HOSE	15-0331	1

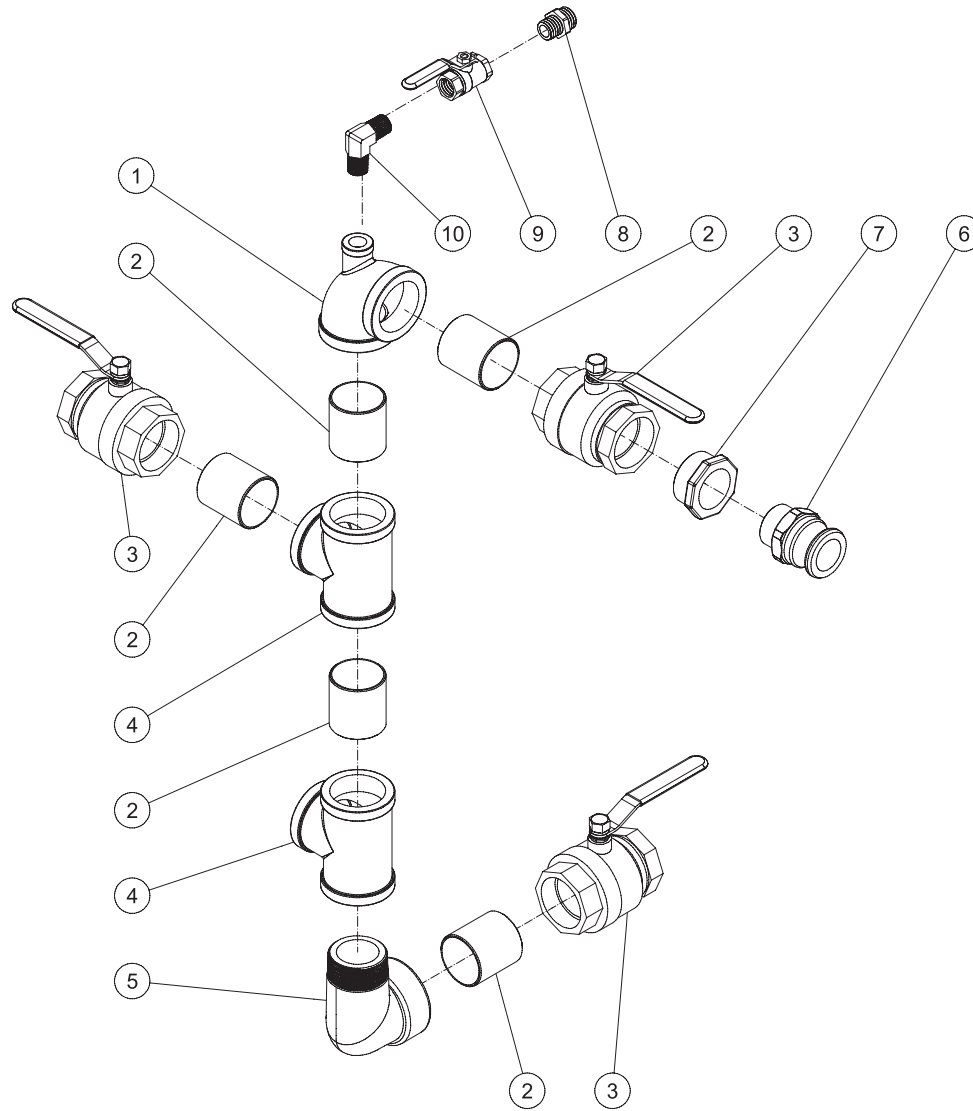
# INLET MANIFOLD ASSEMBLY FOR OPTION TX-0008



TX-0008 INLET MAN 032013 RJA

TX-0008 INLET MAN 032013 RJA			
INLET MANIFOLD ASSEMBLY			
ITEM	TITLE	Mi-T-M #	QTY
1	BALL VALVE	22-0288	2
2	NIPPLE	24-0201	3
3	ELBOW	24-0334	2
4	TEE	24-0224	1

# DISCHARGE MANIFOLD ASSEMBLY FOR OPTION TX-0008



TX-0008-DISCHARGE MAN 081413 RJA

TX-0008 DISCHARGE MAN 081413 RJA			
DISCHARGE MANIFOLD ASSEMBLY FOR TX-0008			
ITEM	TITLE	Mi-T-M #	QTY
1	TEE	24-0220	1
2	NIPPLE	24-0201	5
3	BALL VALVE	22-0288	3
4	TEE	24-0224	2
5	ELBOW	24-0334	1
6	NIPPLE	51-0042	1
7	BUSHING	24-0190	1
8	ADAPTER	23-0136	1
9	BALL VALVE	22-0278	1
10	ELBOW	24-0267	1

Manufactured by Mi-T-M  
8650 Enterprise Drive, Peosta IA 52068  
563-556-7484/ Fax 563-556-1235