



PARTS LIST FOR
BIO-20R-0M11 / 1M11 / 0M31 / 1M31
(AFTER SERIAL #30005000)
WATER TREATMENT SYSTEM

Congratulations on the purchase of your new Mi-T-M water treatment system! This parts listing has been compiled for your benefit. You can be assured your Mi-T-M water treatment system was constructed and designed with quality and performance in mind. Each component has been rigorously tested to insure the highest level of acceptance.

The contents of this parts listing are based on the latest product information available at the time of publication. Mi-T-M reserves the right to make changes in price, color, materials, equipment, specifications or models at any time without notice.

WARNING

THIS IS A PROFESSIONAL WATER TREATMENT SYSTEM. CAUTION SHOULD BE OBSERVED WHEN USING OR REPAIRING THIS UNIT! READ AND FOLLOW THE SAFETY WARNINGS LISTED BELOW BEFORE ATTEMPTING ANY REPAIRS ON THIS WATER TREATMENT SYSTEM!

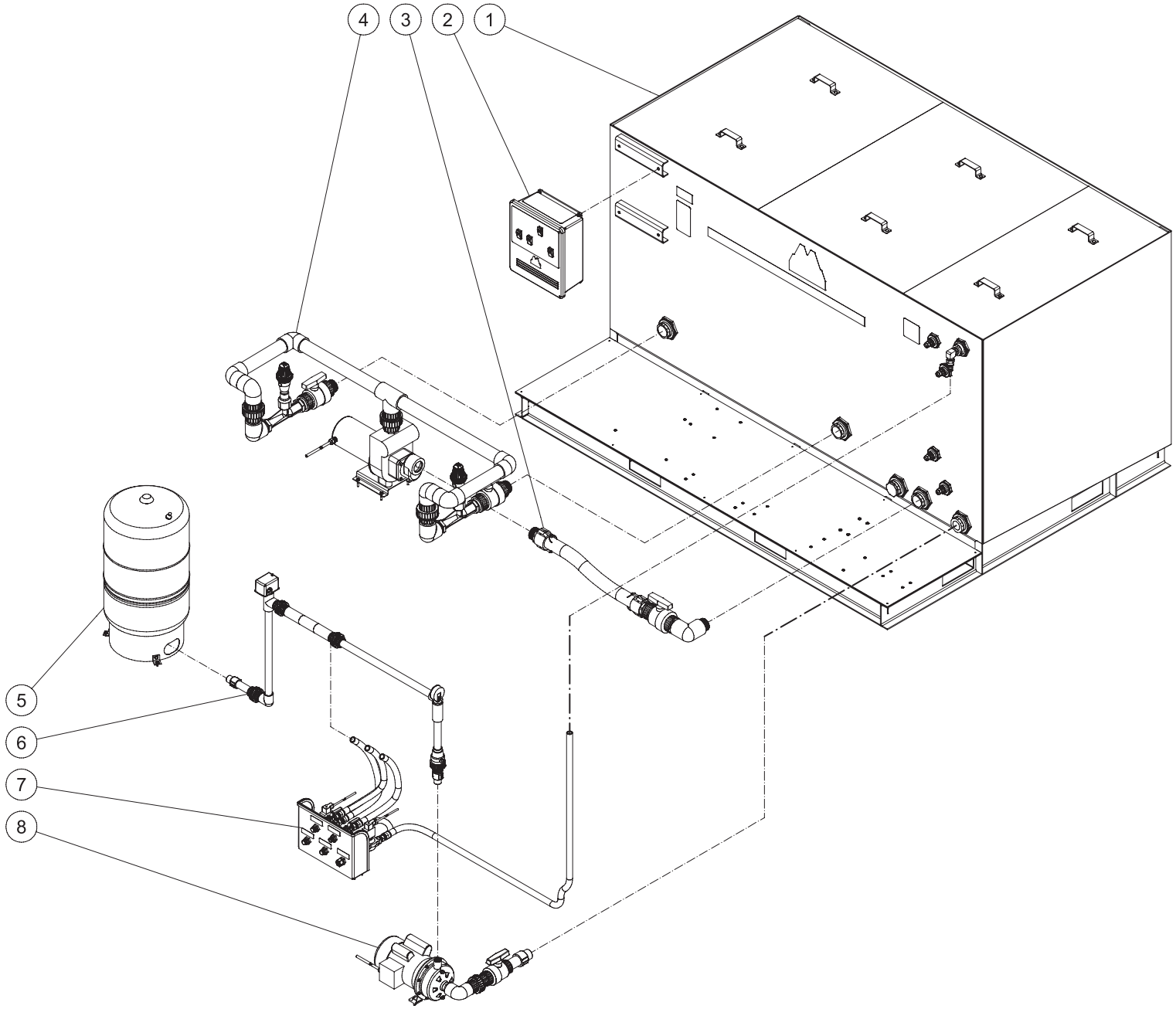
SAFETY WARNINGS

1. Serious injury or death could occur if the water treatment system is not properly grounded. Your water treatment system is powered by electricity and may cause electric shock or electrocution if not installed properly. Installation to this unit, including all electrical connections, must comply with all local, state and national codes. Any electrical wiring or repairs performed on this water treatment system should be done by Authorized Service Personnel in accordance with National and Local electrical codes.
2. NEVER alter or modify the equipment. Use only genuine Mi-T-M parts for repair of your water treatment system. Failure to do so can cause hazardous operating conditions and will VOID warranty.
3. Know how to stop and bleed pressures quickly. Be thoroughly familiar with controls. Do not operate without protective cover/guards. Follow the maintenance instructions specified in your operator's manual.
4. Before servicing, ALWAYS shut off the water and the unit. Allow the unit to cool down. NEVER assume the water treatment system is safe to work on just because it is not operating. It could restart at any time! ALWAYS disconnect from the power source. Service in a clean, dry flat area.
5. Be especially careful to properly dispose of any flammable materials. Consult Materials Safety Data Sheets for safe handling of chemicals used with your system, especially oxidizers and acids.

Table of Contents

MAIN ASSEMBLY (AFTER SERIAL #30005000)	4
TANK ASSEMBLY (AFTER SERIAL #30005000).....	6
LARGE TANK LID ASSEMBLY	8
SMALL TANK LID ASSEMBLY	10
AERATOR INLET PLUMBING (AFTER SERIAL #30005000)	12
AERATOR OUTLET PLUMBING	14
AERATION PUMP (3-0319 THREE PHASE AND 3-0329 SINGLE PHASE).....	16
PLUMBING MANIFOLD (AFTER SERIAL #30005000).....	18
TRANSFER PUMP ASSEMBLY	20
TRANSFER PUMP (3-0218 SINGLE PHASE AND 3-0324 THREE PHASE).....	22
MANIFOLD ASSEMBLY (AFTER SERIAL #30005000).....	24
PRESSURE TANK ASSEMBLY (AFTER SERIAL #30005000)	26
SOLENOID VALVE (22-0442).....	28
SUMP PIT ASSEMBLY	30
CONTROL PANEL (0M11/1M11) (AFTER SERIAL #30005000)	32
CONTROL PANEL (0M31/1M31) (AFTER SERIAL #30005000).....	34
ELECTRICAL SCHEMATIC (SINGLE PHASE) (AFTER SERIAL #30005000).....	36
ELECTRICAL DIAGRAM (SINGLE PHASE) (AFTER SERIAL #30005000).....	37
ELECTRICAL SCHEMATIC (THREE PHASE) (AFTER SERIAL #30005000).....	38
ELECTRICAL DIAGRAM (THREE PHASE) (AFTER SERIAL #30005000).....	39

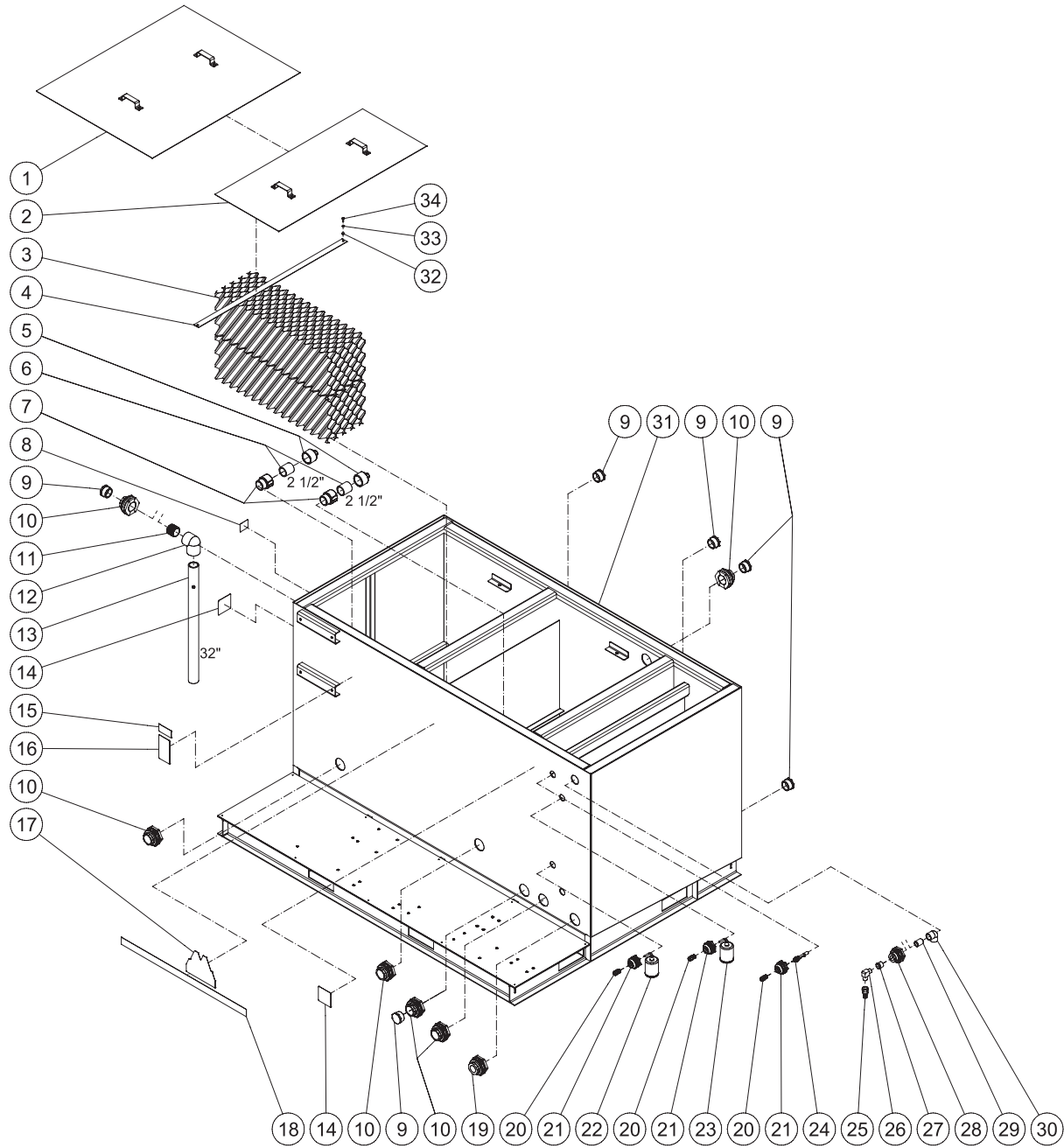
MAIN ASSEMBLY (AFTER SERIAL #30005000)



BIO-20R 010214 010214 MLK

BIO-20R 010214 MLK			
MAIN ASSEMBLY			
ITEM	DESCRIPTION	Mi-T-M #	QTY
1	TANK ASSEMBLY	N/A SEP.	1
2	CONTROL PANEL-BIO-20R	N/A SEP.	1
3	AERATOR INLET PLUMBING	N/A SEP.	1
4	AERATOR OUTLET PLUMBING	N/A SEP.	1
5	PRESSURE TANK ASSEMBLY	N/A SEP.	1
6	PLUMBING: MANIFOLD	N/A SEP.	1
7	MANIFOLD ASSEMBLY	N/A SEP.	1
8	TRANSFER PUMP ASSEMBLY	N/A SEP.	1

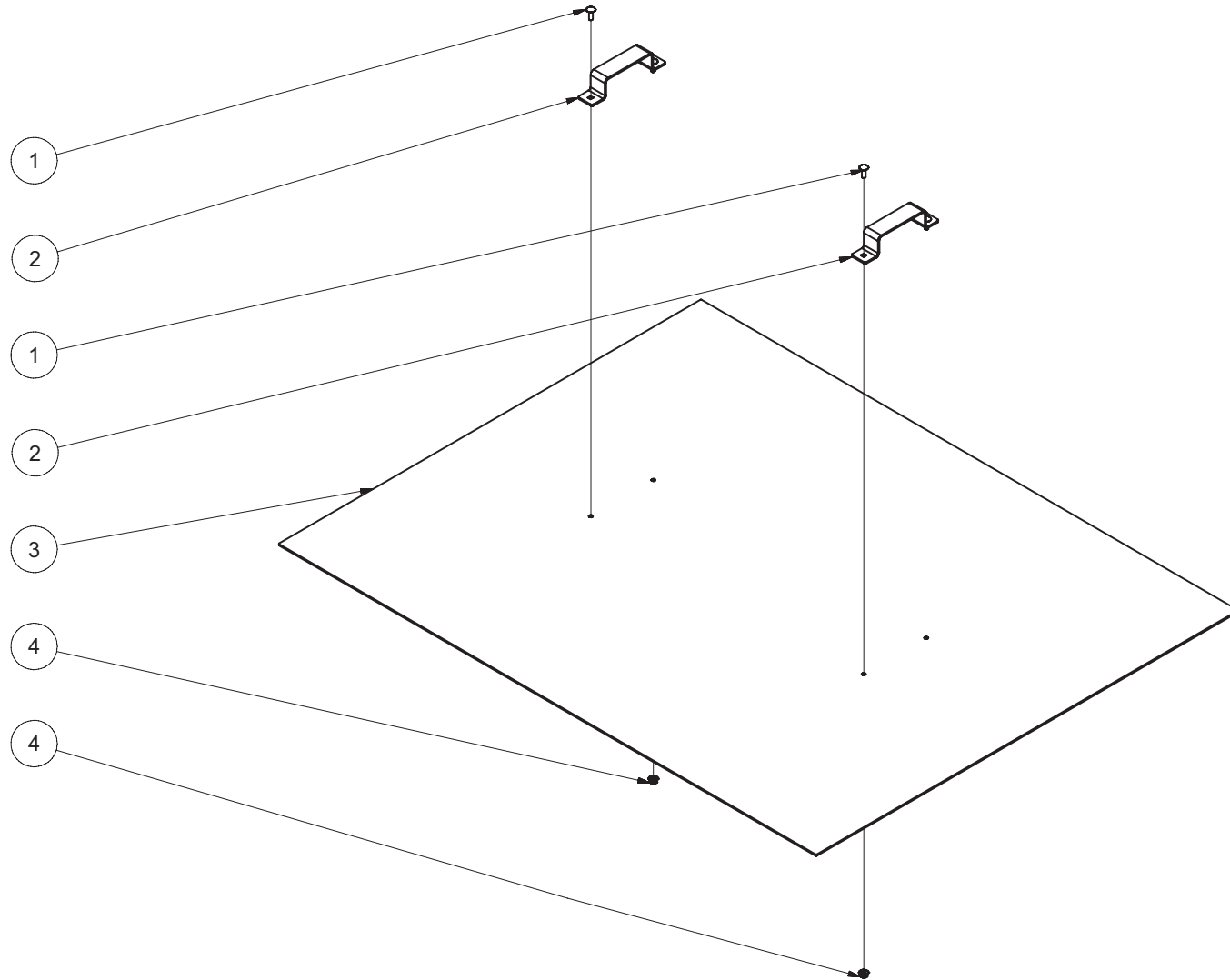
TANK ASSEMBLY (AFTER SERIAL #30005000)



TANK ASSEMBLY - BIO-20R 010214 MLK

TANK ASSMEBLY - 010214 MLK			
TANK ASSEMBLY			
ITEM	DESCRIPTION	Mi-T-M #	QTY
1	LARGE LID BIO (DS) (RS)	N/A SEP.	2
2	SMALL LID BIO (DS)	N/A SEP.	1
3	MEDIA	33-0337	16
4	STRAP SS (1M11/1M31)	12-013515	2
-	STRAP AL (0M11/0M31)	56-0042	2
5	REDUCER	55-1894	2
6	PIPE *(2" X 2 1/2")	55-1800	2
7	ADAPTER	55-1822	2
8	DECAL - INLET (SEE 71-0104)	N/A	1
9	PLUG	55-1840	6
10	BULKHEAD (INC. 25-0481 GASKET)	55-1886	6
11	NIPPLE	55-1874	1
12	ELBOW	55-1810	1
13	PIPE (2" X 32")	55-1800	1
14	DECAL - NONPOTABLE WATER (SEE 71-0104)	N/A	2
15	DECAL- SILVER STICKER	N/A	1
16	DECAL - RISK OF ELECTROCUTION (SEE 71-0104)	N/A	1
17	DECAL - #5M	N/A	1
18	DECAL Mi-T-M STRIPE	N/A	1
19	BULKHEAD (INC. 25-0481 GASKET)	55-1686	1
20	STRAIN RELIEF	32-0437	4
21	BULKHEAD	55-0886	4
22	FLOAT	32-0664	1
23	FLOAT	32-0663	2
24	SWITCH	32-0533	1
25	HOSE BARB	23-0358	1
26	ELBOW	23-0364	1
27	REDUCER BUSH	55-1233	1
28	BULKHEAD (INC. 25-042 GASKET)	55-1286	1
29	NIPPLE	55-1274	1
30	ELBOW	55-1210	1
31	BIO TANK - ALUM. (0M11/0M31)	12-0239	1
-	BIO TANK - S.S. (1M11/1M31)	12-9240	1
32	WASHER	28-0121	4
33	LOCKWASHER	29-1006	4
34	BOLT	27-5016	4
-	DECAL SET	71-0104	1

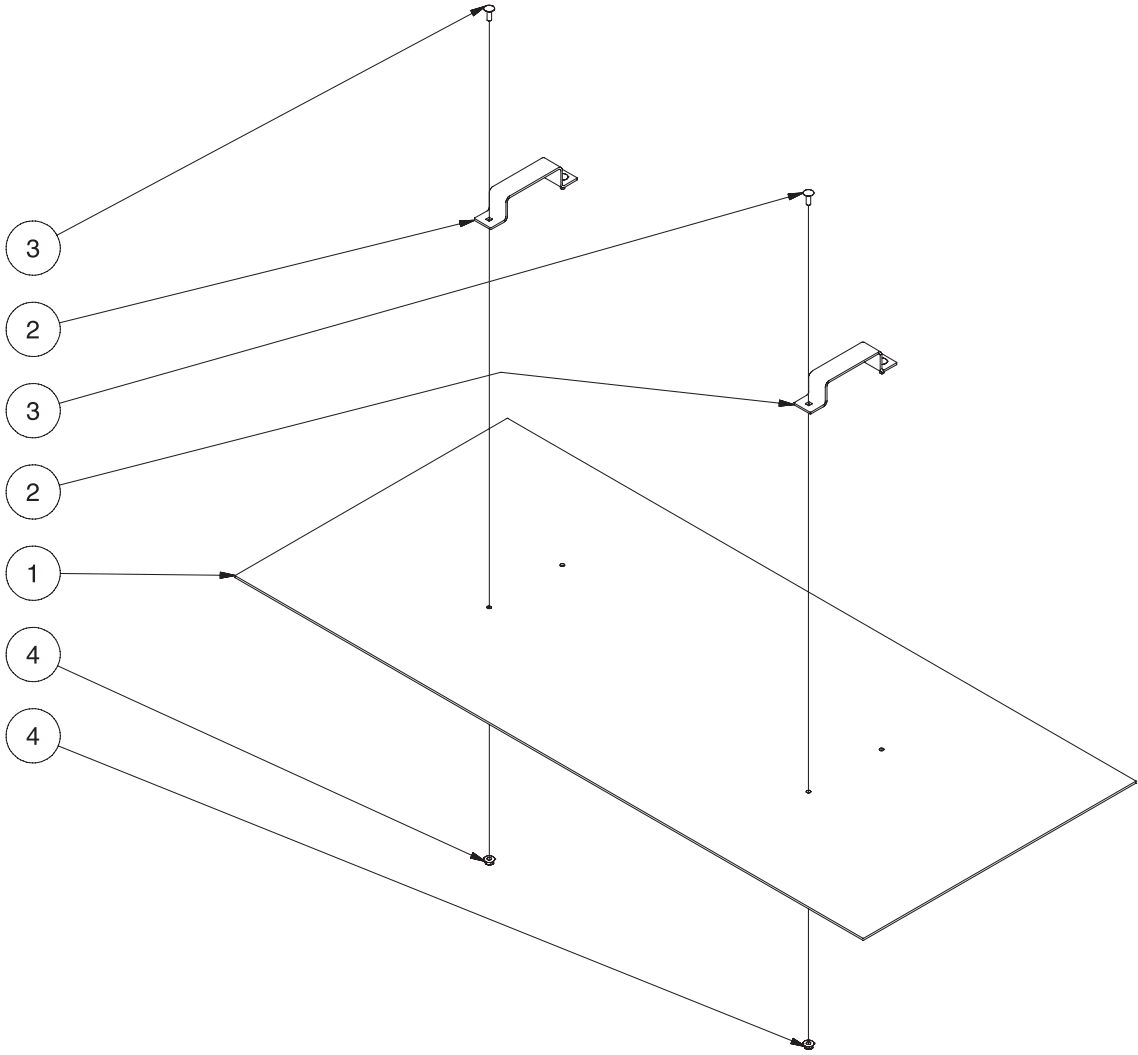
LARGE TANK LID ASSEMBLY



LARGE TANK LID ASSY-092506-PJH

LARGE LID BIO 092506 PJH			
LARGE TANK LID ASSEMBLY			
ITEM	DESCRIPTION	PART #	QTY
1	BOLT	31-5027	4
2	HANDLE	56-0040	2
3	LID	56-0043	1
4	NUT	30-5202	4

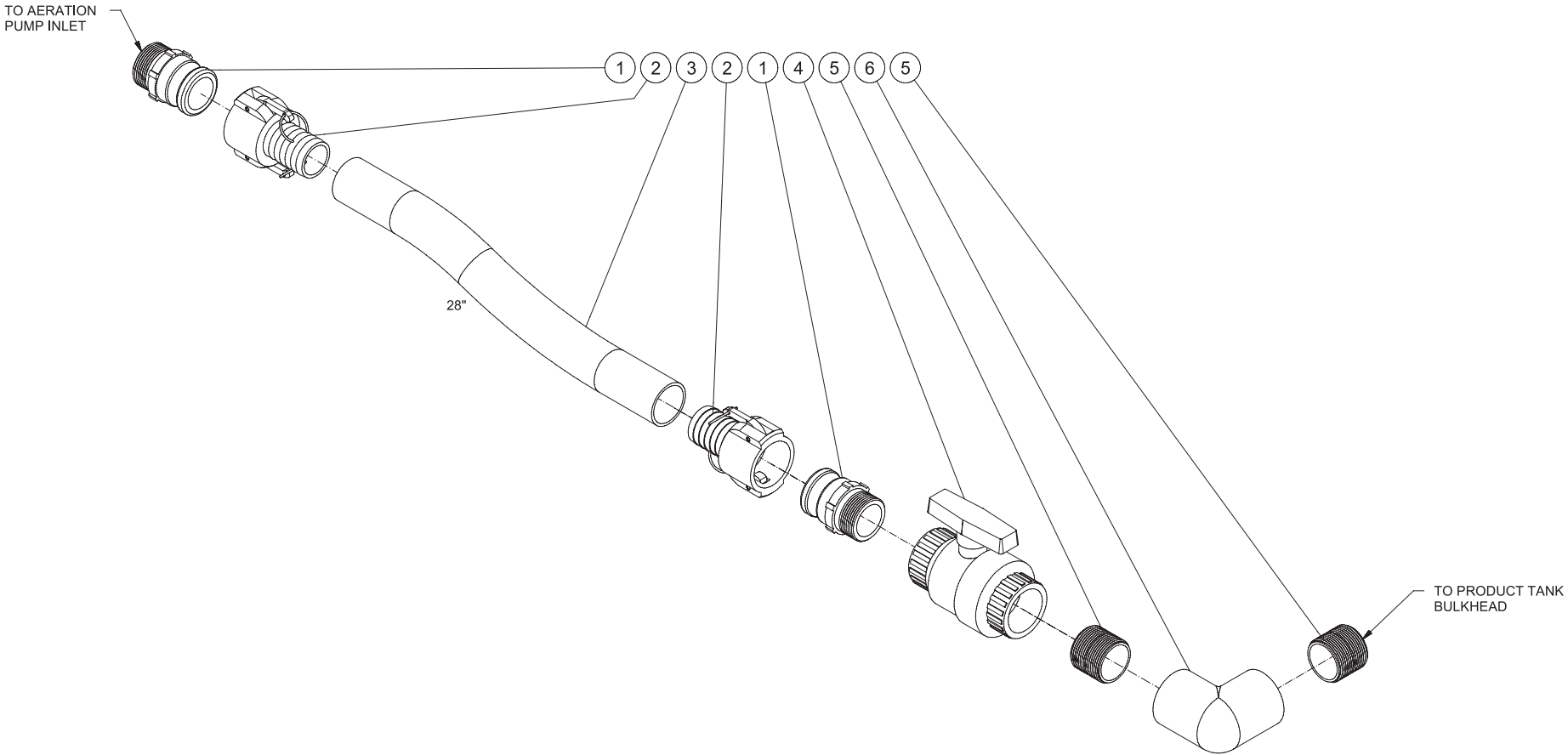
SMALL TANK LID ASSEMBLY



SMALL LID BIO 123003 ASY

SMALL LID BIO 123003 ASY			
SMALL TANK LID ASSEMBLY			
ITEM	DESCRIPTION	PART #	QTY
1	LID	56-0041	1
2	HANDLE	56-0040	2
3	BOLT	31-5027	4
4	NUT	30-5202	4

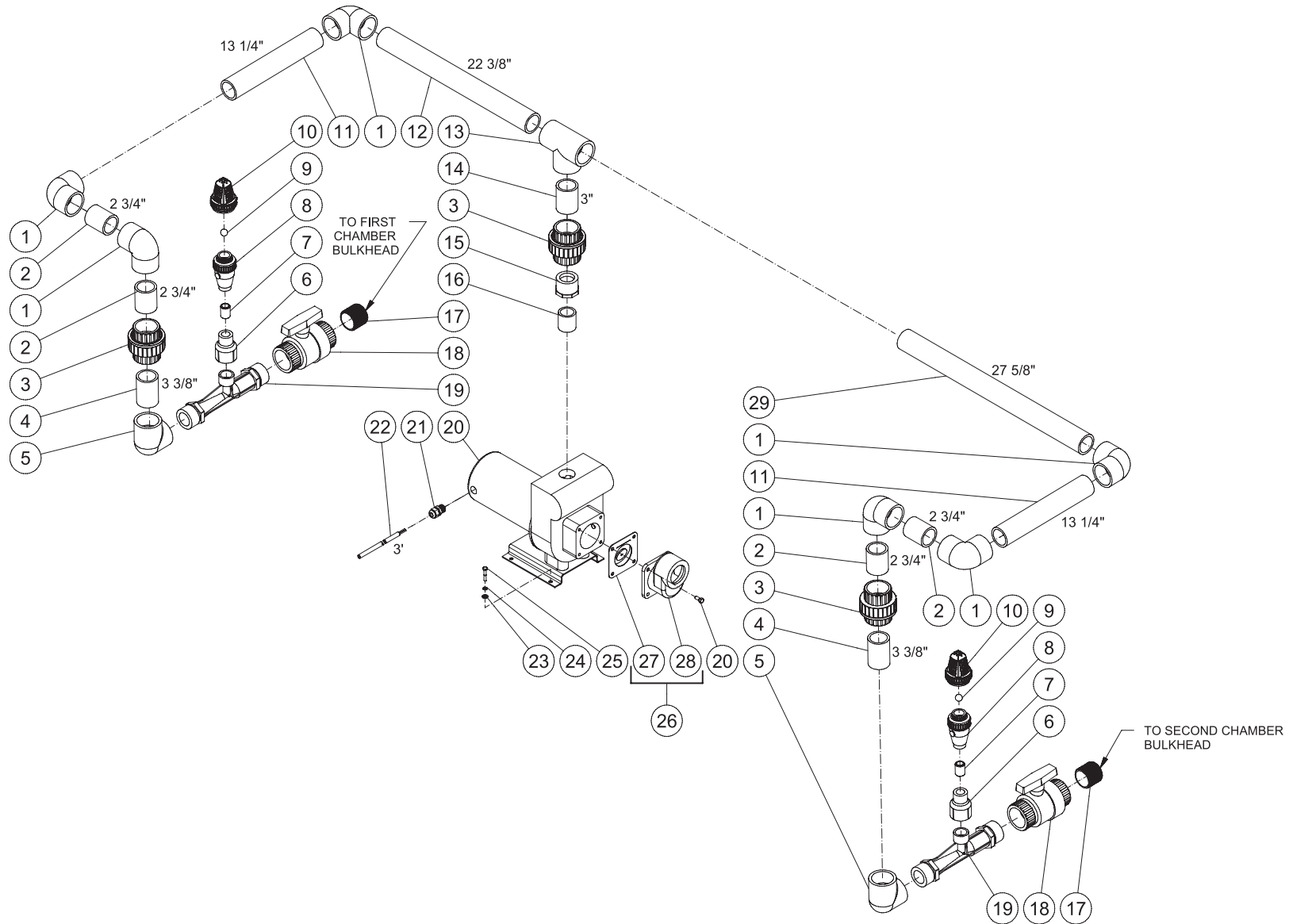
AERATOR INLET PLUMBING (AFTER SERIAL #30005000)



AERATOR INLET PLUMBING - BIO-20R 010214 MLK

AERATOR INLET PLUMBING- BIO 20R 010214 MLK			
AERATOR INLET PLUMBING			
ITEM	DESCRIPTION	Mi-T-M #	QTY
1	ADAPTER	55-0054	2
2	COUPLER	55-0055	2
3	HOSE *(THREE FEET REQUIRED)	15-0213	1
4	BALL VALVE	55-1854	1
5	NIPPLE	55-1874	2
6	ELBOW	55-1810	1
*MUST ORDER IN ONE FOOT LENGTHS			

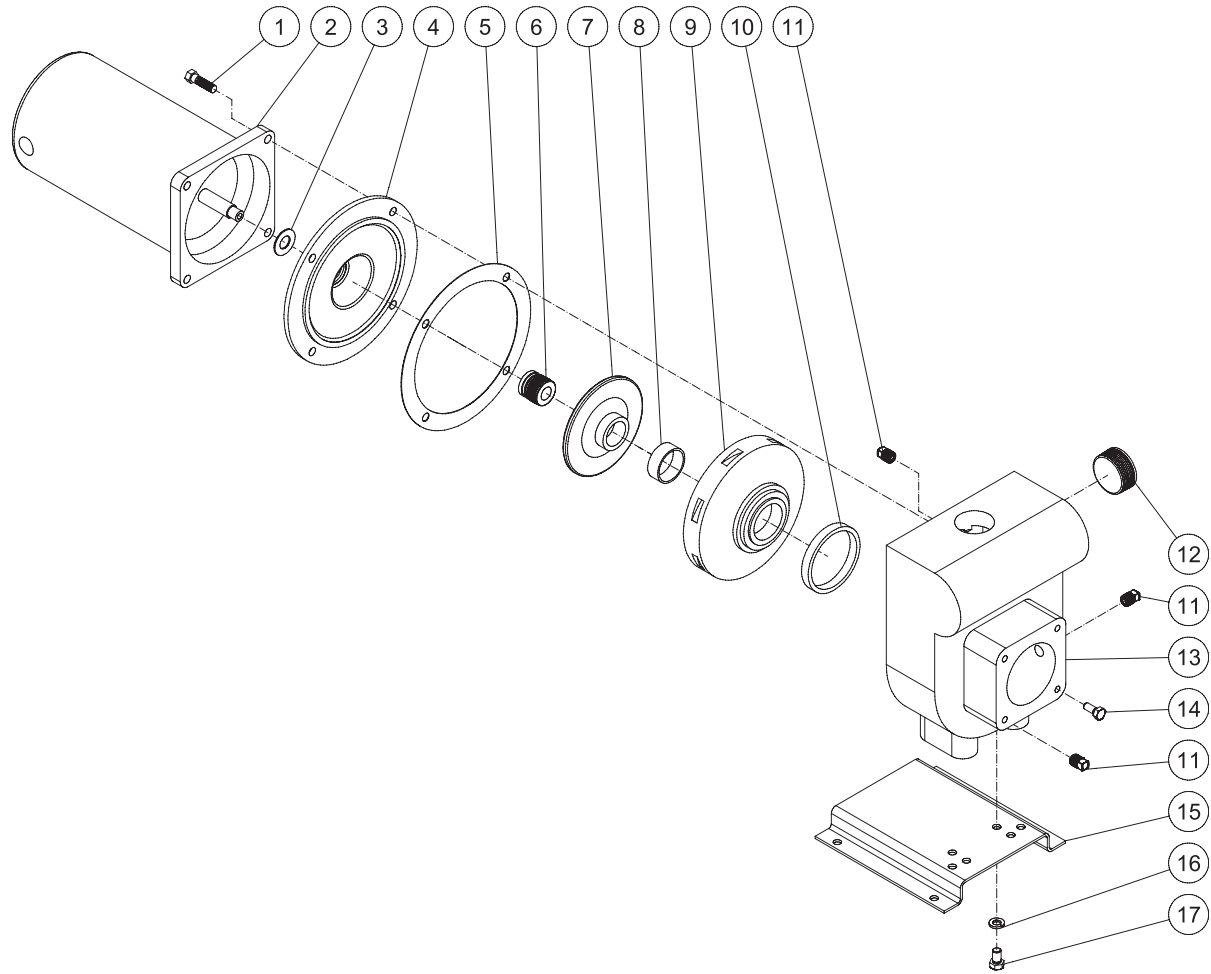
AERATOR OUTLET PLUMBING



AERATOR OUTLET PLUMBING BIO-20R 090412 MLK

AERATOR OUTLET PLUMBING -BIO 20R 090412 MLK			
AERATOR OUTLET PLUMBING			
ITEM	DESCRIPTION	Mi-T-M #	QTY
1	ELBOW	55-1809	6
2	PIPE (2" x 2.75")	55-1800	4
3	UNION	55-1845	3
4	PIPE (2" x 3.375")	55-1800	2
5	ELBOW	55-1810	2
6	COUPLER	55-1491	2
7	NIPPLE	55-1074	2
8	CHECK VALVE	55-1053	2
9	BALL	62-0172	2
10	STRAINER KIT	55-0082	2
11	PIPE *(2" X 13.25")	55-1800	2
12	PIPE *(2" x 22.375")	55-1800	1
13	TEE	55-1801	1
14	PIPE *(2" X 3")	55-1800	1
15	REDUCER BUSHING	55-1823	1
16	TOE NIPPLE	55-1679	1
17	NIPPLE	55-1874	2
18	BALL VALVE	55-1854	2
19	INJECTOR	55-0068	2
20	PUMP 1PH (0M11/ 1M11)	3-0329	1
-	PUMP 3PH (0M31 / 1M31)	3-0319	1
21	STRAIN RELIEF	32-0437	1
22	CORD 16/3 SO *(THREE FEET REQUIRED) (0M11/1M11)	32-0074	1
-	CORD 16/4 SO *(THREE FEET REQUIRED) (0M31/1M31)	32-0247	1
23	WASHER	28-0121	4
24	LOCKWASHER	29-1006	4
25	BOLT	27-5031	4
26	FLANGE FOR WT PUMPS W/260347	33-0493	1
27	GASKET - FLANGE FOR WT PUMP	26-0347	1
28	FLANGE	N/A	1
29	PIPE (2" x 27.65)	55-1800	1
*MUST ORDER IN ONE FOOT LENGTHS			

AERATION PUMP (3-0319 THREE PHASE AND 3-0329 SINGLE PHASE)



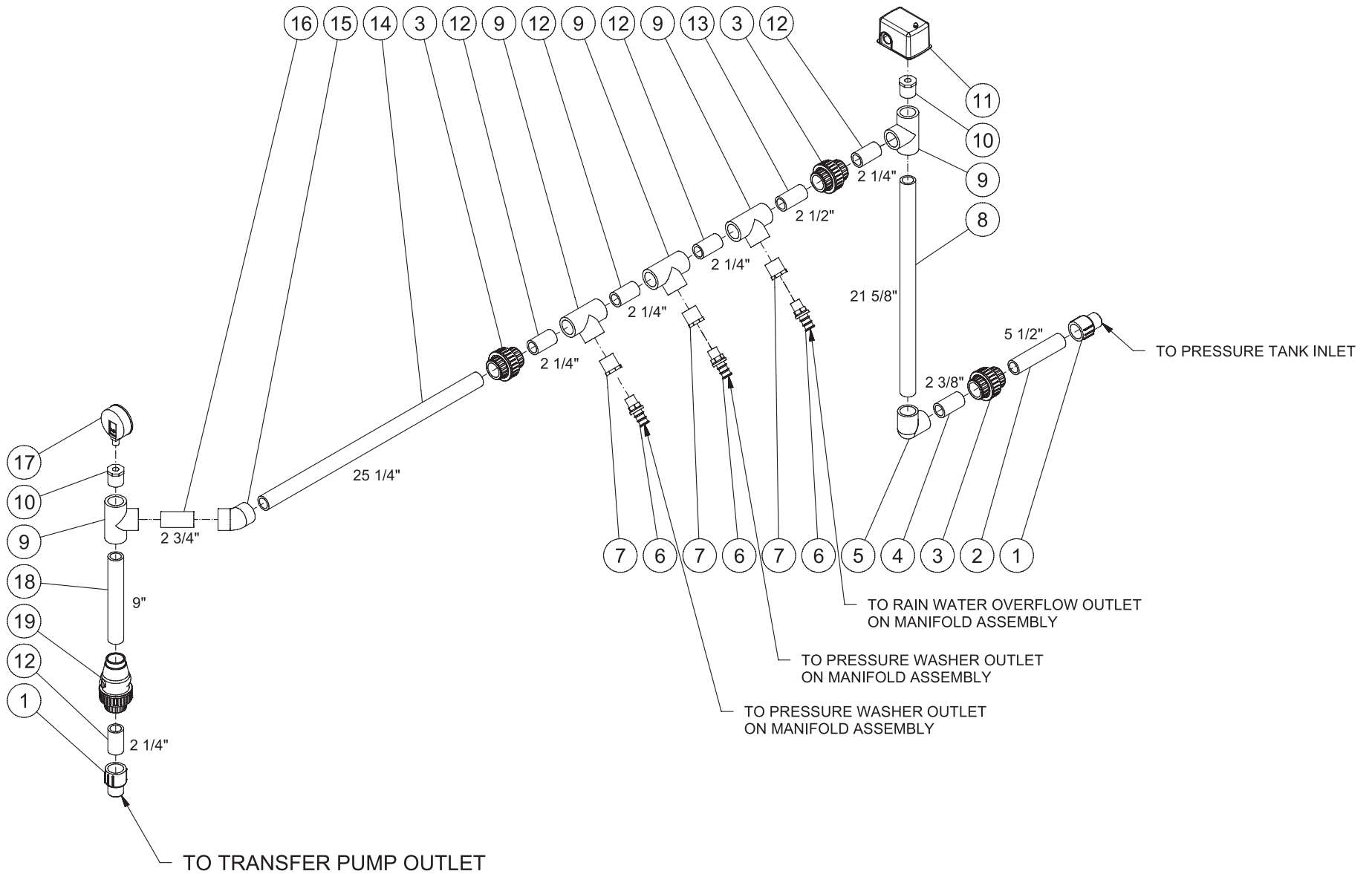
3-0319_3-0329 052710 -P-JH

3-0319_3-0329 052710-PJH

AERATION PUMP

ITEM	DESCRIPTION	Mi-T-M #	QTY
1	BOLT	27-0118	4
2	MOTOR	N/A	1
3	WATER SLINGER	46-1386	1
4	SEAL PLATE	N/A	1
5	GASKET	26-0353	1
6	SHAFT SEAL	26-0354	1
7	IMPELLER (3-0329 SINGLE PHASE)	46-1524	1
-	IMPELLER (3-0319 THREE PHASE)	46-1521	1
8	WEAR RING	46-1387	1
9	DIFFUSER	N/A	1
10	DIFFUSER RING	46-1388	1
11	PLUG	24-0009	3
12	PLUG	24-0309	1
13	PUMP BODY	N/A	1
14	BOLT	27-0066	4
15	BASE	N/A	1
16	LOCKWASHER	29-0008	2
17	BOLT	N/A	2
	COMPLETE PUMP (SINGLE PHASE)	3-0329	1
	COMPLETE PUMP (THREE PHASE)	3-0319	1

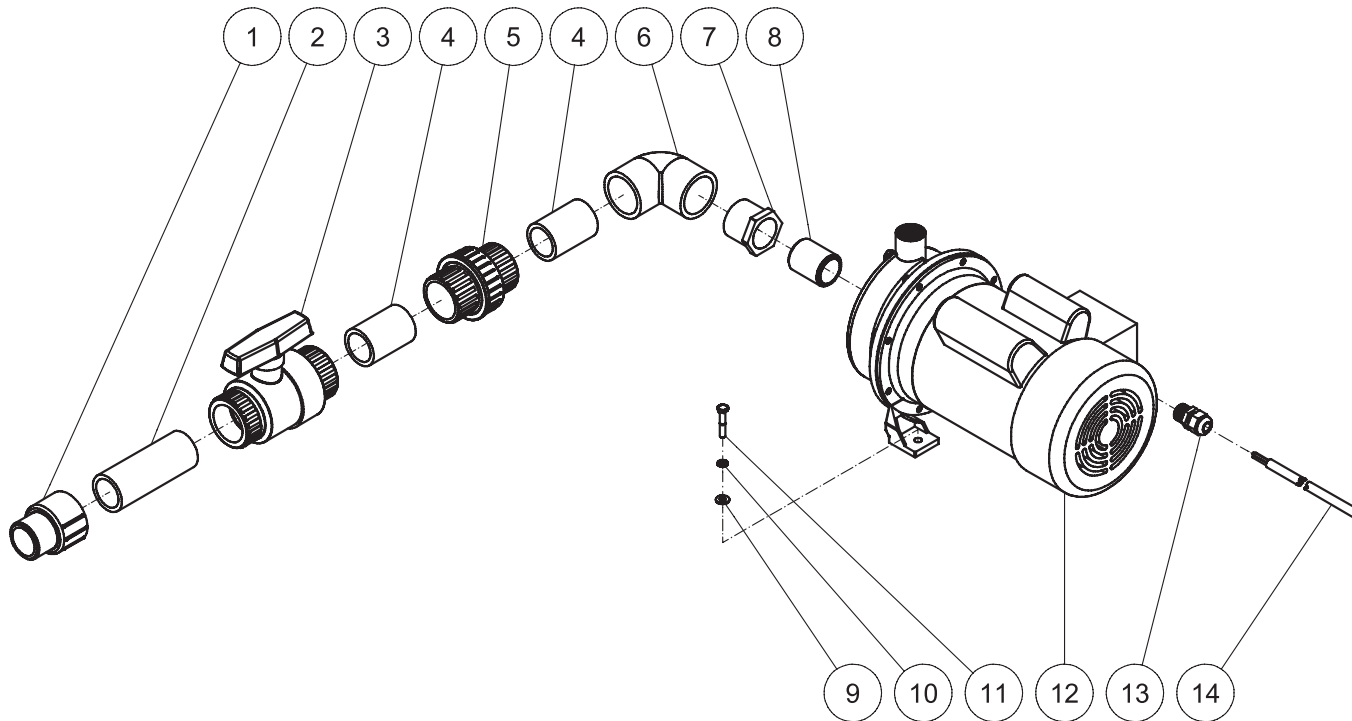
PLUMBING MANIFOLD (AFTER SERIAL #30005000)



PLUMBING-MANIFOLD - BIO-20R 042214 MLK

PLUMBING MANIFOLD BIO 20R 042214 MLK			
PLUMBING MANIFOLD			
ITEM	DESCRIPTION	Mi-T-M #	QTY
1	ADAPTER	55-1222	2
2	PIPE *(1" X 5 1/2")	55-1200	1
3	UNION	55-1245	3
4	PIPE *(1" X 2 3/8")	55-1200	1
5	ELBOW	55-1209	1
6	BARB	23-0007	3
7	REDUCER	55-1229	3
8	PIPE *(1" X 2 1/8")	55-1200	1
9	TEE	55-1201	5
10	REDUCER	55-1231	2
11	PRESSURE SWITCH	22-0304	1
12	PIPE *(1" X 2 1/4")	55-1200	5
13	PIPE *(1" X 2 1/2")	55-1200	1
14	PIPE *(1" X 2 5/4")	55-1200	1
15	ELBOW	55-1212	1
16	PIPE *(1" X 2 3/4")	55-1200	1
17	PRESSURE GAUGE	22-0305	1
18	PIPE *(1" X 8 1/2")	55-1200	1
19	CHECK VALVE	55-1252	1
*MUST ORDER IN ONE FOOT LENGTHS			

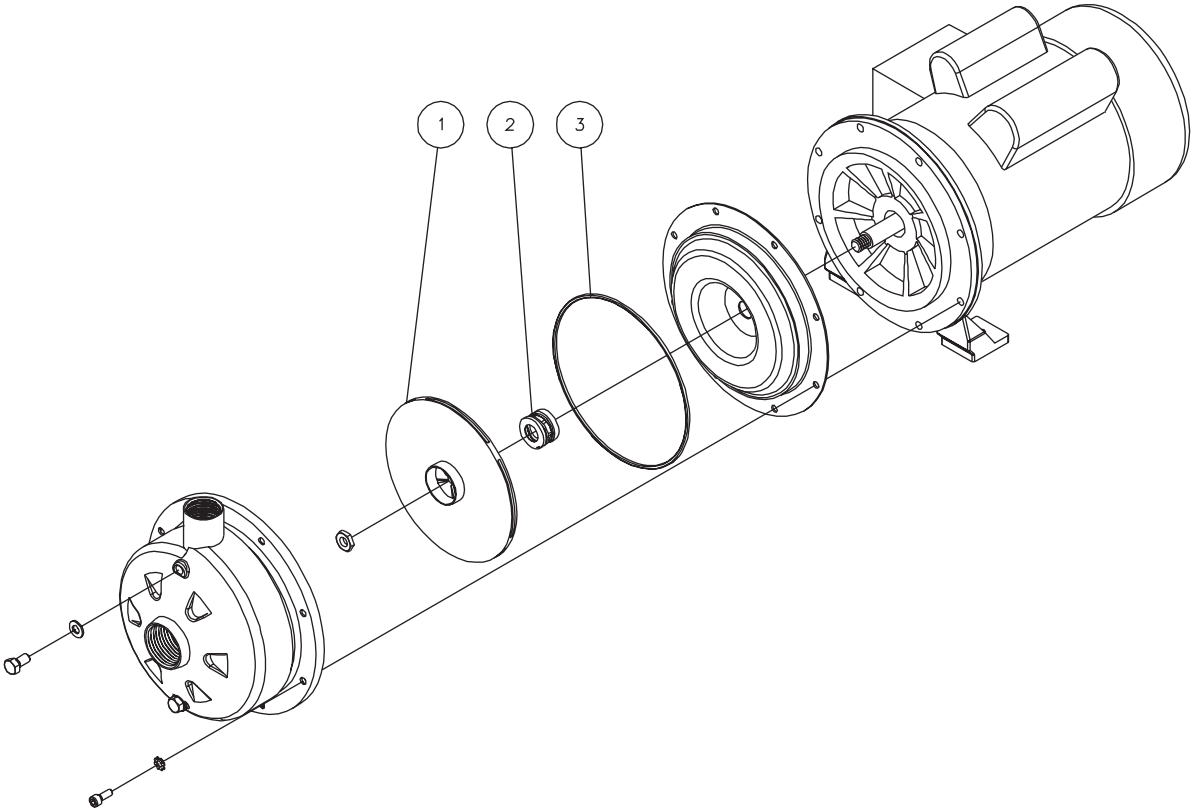
TRANSFER PUMP ASSEMBLY



TRANSFER PUMP ASSEMBLY BIO-25R 012209

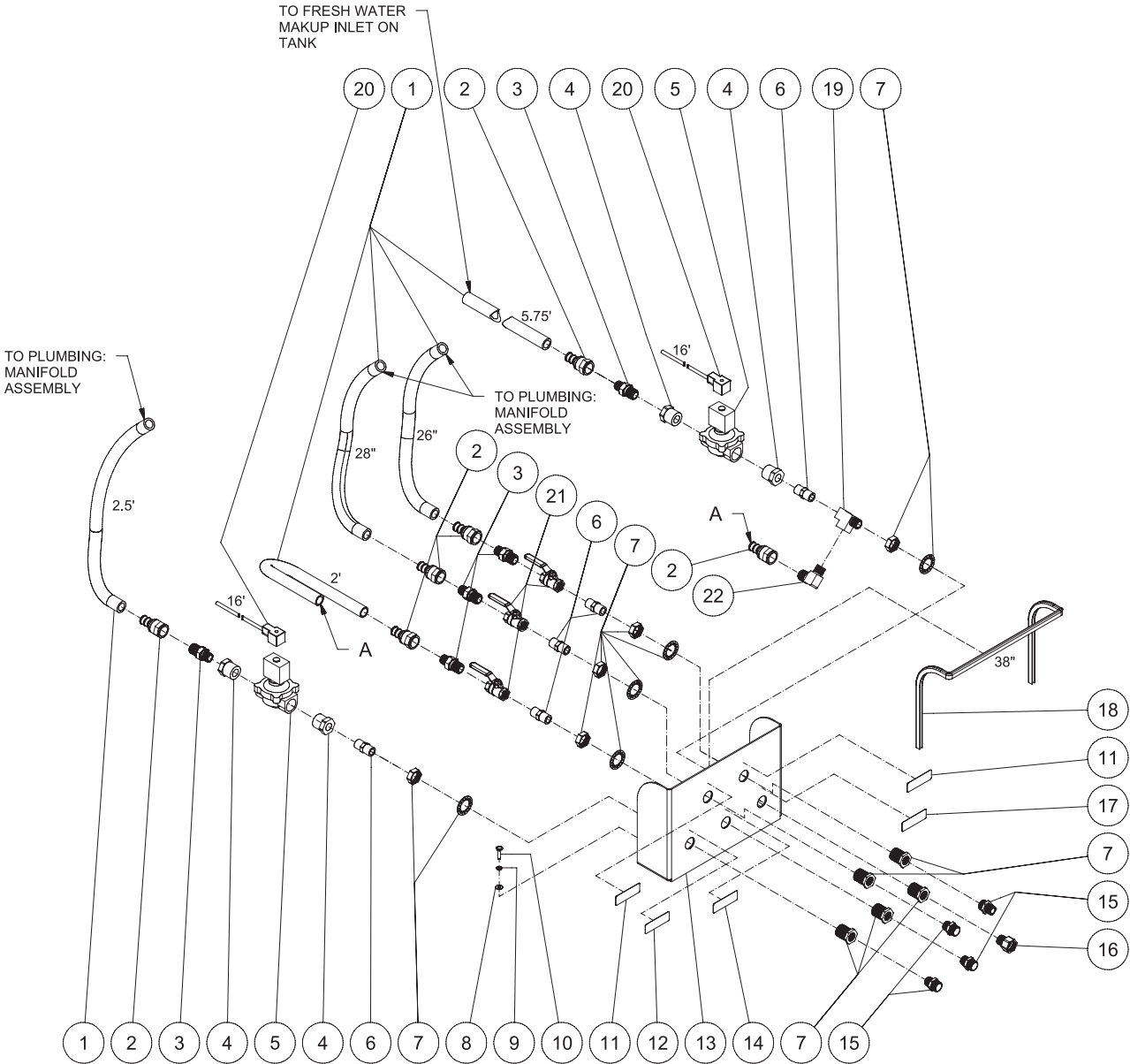
TRANSFER PUMP ASSEMBLY 012209-PJH			
TRANSFER PUMP ASSEMBLY			
ITEM	DESCRIPTION	PART #	QTY
1	ADAPTER	55-1622	1
2	PIPE 1-1/2" (ONE FOOT REQUIRED)	55-1600	1
3	BALL VALVE	55-1655	1
4	PIPE (ONE FOOT REQUIRED)	55-1600	2
5	UNION	55-1645	1
6	ELBOW	55-1609	1
7	REDUCER	55-1628	1
8	NIPPLE	55-1474	1
9	WASHER	28-0121	2
10	LOCKWASHER	29-1006	2
11	BOLT	27-5031	2
12	PUMP 1 PHASE	3-0218	1
-	PUMP 3 PHASE	3-0324	1
13	STRAIN RELIEF	32-0437	1
14	CORD (FIFTEEN FEET REQUIRED) 1 PH	32-0074	1
-	CORD (FIFTEEN FEET REQUIRED) 3 PH	32-0247	1

TRANSFER PUMP (3-0218 SINGLE PHASE AND 3-0324 THREE PHASE)



3-0324_3-0218-070202-KS			
TRANSFER PUMP			
REF. #	DESCRIPTION	PART #	QTY.
1	Impeller	46-1073	1
2	Seal	26-0266	1
3	O-ring	25-0540	1
	Complete Transfer Pump (Single phase)	3-0218	
	Complete Transfer Pump (Three phase)	3-0324	

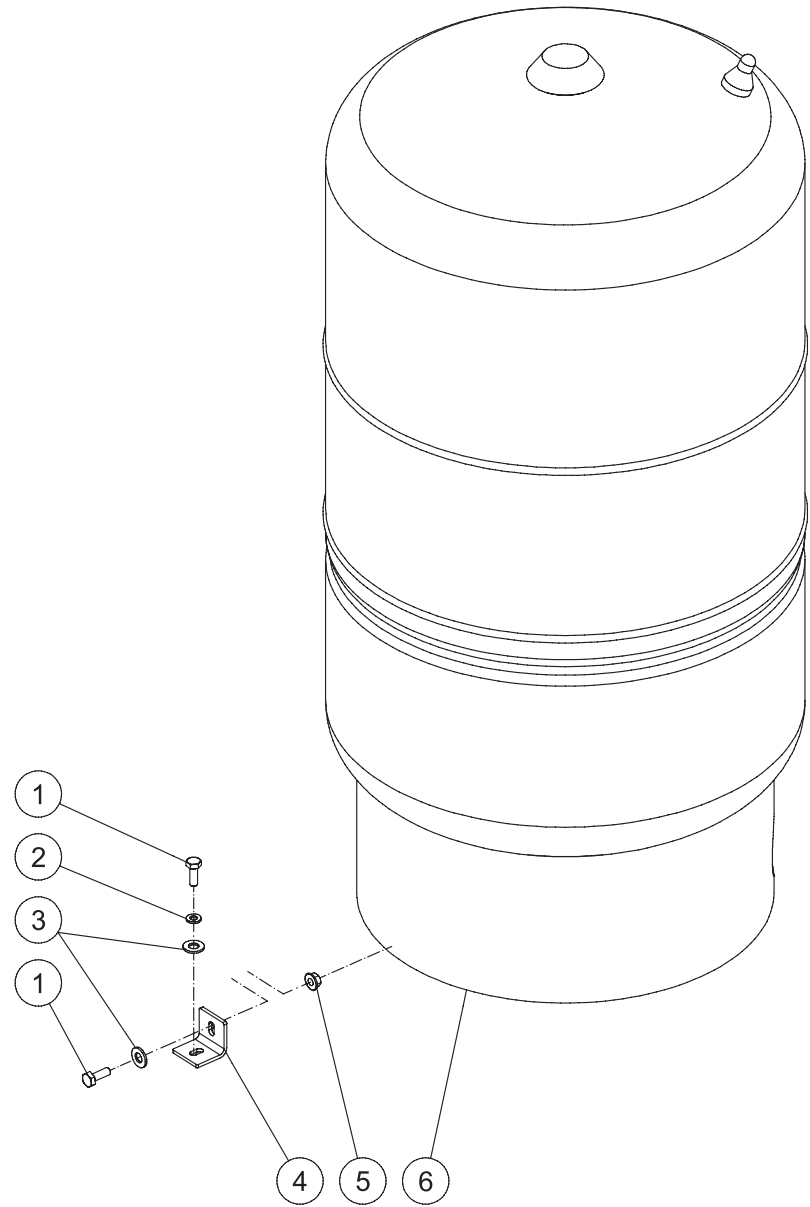
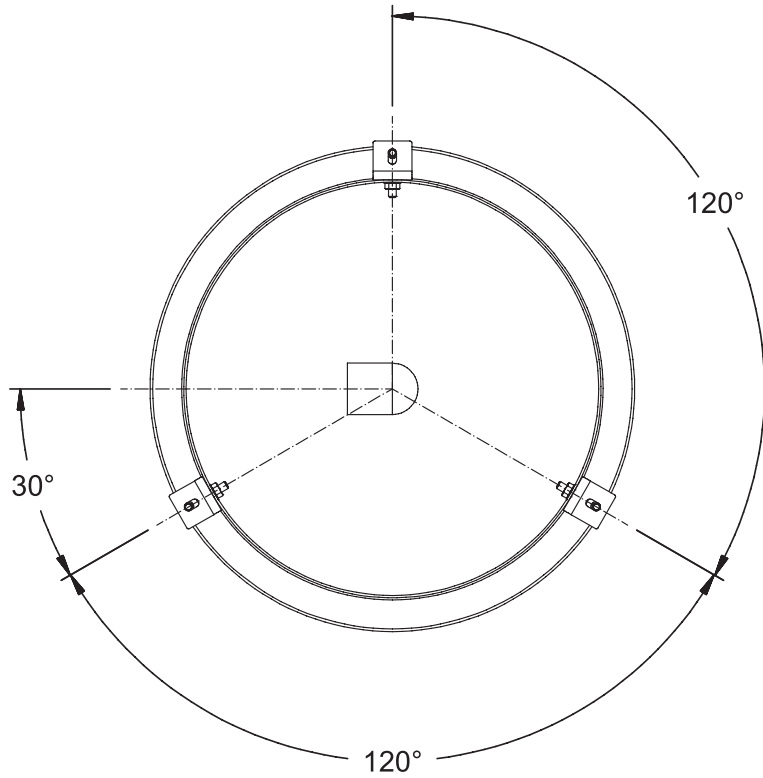
MANIFOLD ASSEMBLY (AFTER SERIAL #30005000)



MANIFOLD ASSEMBLY - BIO-20R 010214 MLK

MANIFOLD ASSY BIO-20R 010214 MLK			
MANIFOLD ASSEMBLY			
ITEM	DESCRIPTION	Mi-T-M #	QTY
1	HOSE (FIFTEEN FEET REQUIRED)	15-0033	5
2	HOSE BARB	23-0358	6
3	NIPPLE	23-0359	5
4	REDUCER	23-0226	4
5	SOLENOID-NC	22-0442	2
6	NIPPLE	23-0012	5
7	ADAPTER	23-0365	5
8	WASHER	28-0121	4
9	LOCKWASHER	29-1006	4
10	BOLT	27-8962	4
11	DECAL - PRESSURE WASHER OUTLET (SEE 71-0104)	N/A	2
12	DECAL - RAIN WATER OVERFLOW (SEE 71-0104)	N/A	1
13	MANIFOLD BRACKET	21-0230	1
14	DECAL - RINSE WATER OUTLET (SEE 71-0104)	N/A	1
15	ADAPTER	23-0136	4
16	SWIVEL	23-0095	1
17	DECAL - FRESH WATER INLET (SEE 71-0104)	N/A	1
18	EDGING (FOUR FEET REQUIRED)	33-0020	1
19	TEE	23-0124	1
20	CORDSET (SIXTEEN FEET REQUIRED)	32-0786	2
21	BALL VALVE	22-0278	3
22	ELBOW	23-0363	1
-	DECAL SET	71-0104	1
*MUST ORDER IN ONE FOOT LENGTHS			

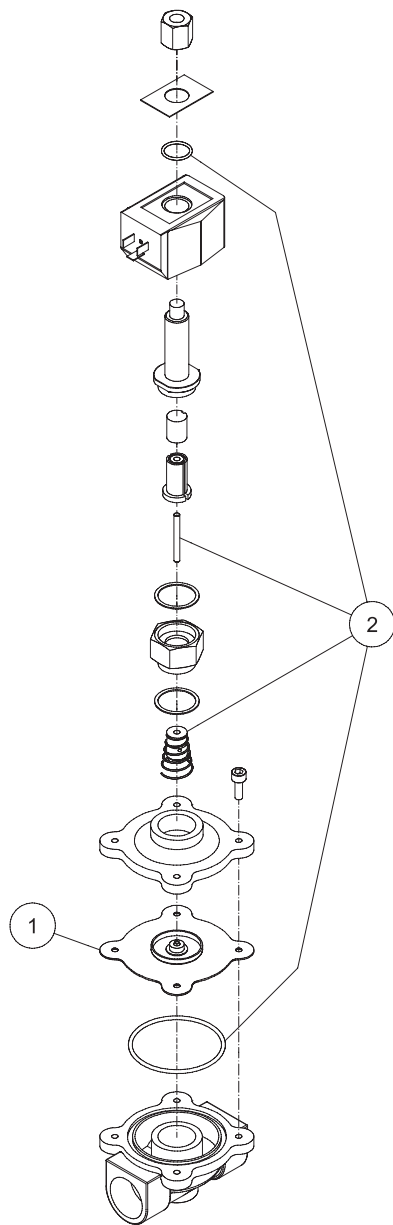
PRESSURE TANK ASSEMBLY (AFTER SERIAL #30005000)



PRESSURE TANK ASSEMBLY - BIO-20R 010214 MLK

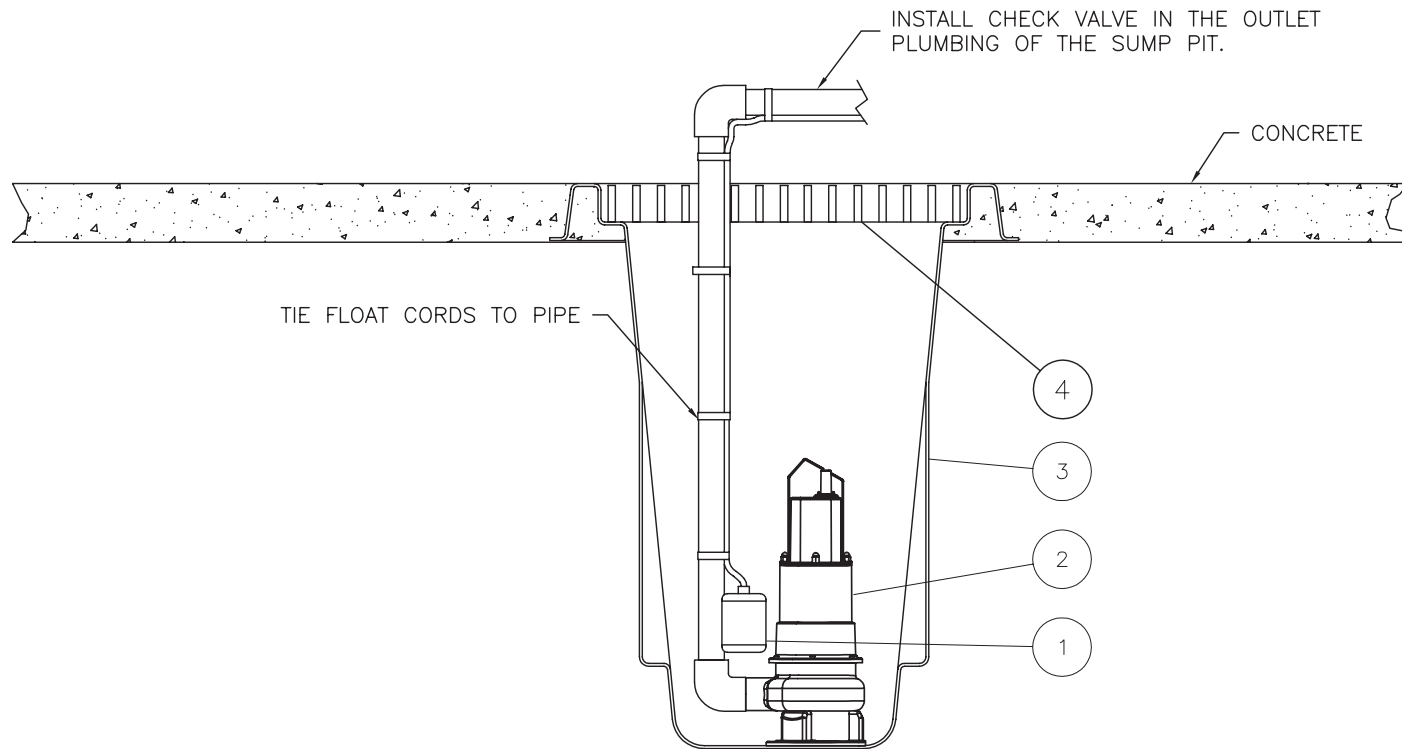
PRESSURE TANK ASSEMBLY - BIO-20R 010214 MLK			
PRESSURE TANK ASSEMBLY			
ITEM	DESCRIPTION	Mi-T-M #	QTY
1	BOLT	27-5016	6
2	LOCKWASHER	29-1006	3
3	WASHER	28-0122	6
4	BRACKET	21-0127	3
5	NUT	30-5202	3
6	PRESSURE TANK	12-0081	1

SOLENOID VALVE (22-0442)



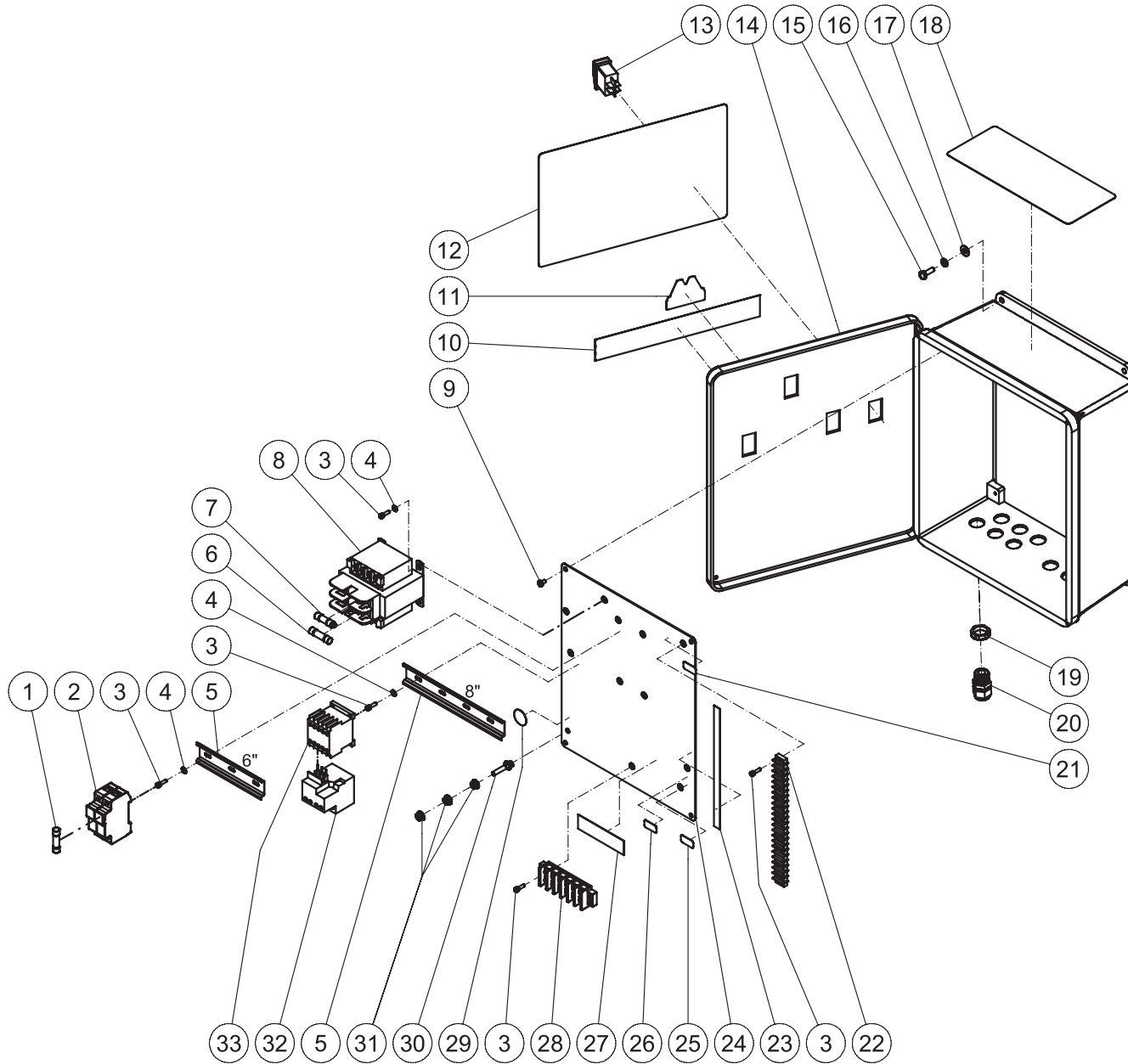
22-0442 041910-PJH			
SOLENOID			
ITEM	DESCRIPTION	PART #	QTY
1	KIT - REPLACEMENT DIAPHRAGM	70-0492	1
2	KIT - REPLACEMENT O-RINGS, SPRING, & PLUNGER	70-0493	1

SUMP PIT ASSEMBLY



SUMP PIT ASSY-010509-PJH			
SUMP PIT ASSEMBLY			
REF. #	DESCRIPTION	PART#	QTY.
1	Float	32-0528	1
2	Pump (Single Phase 230V)	3-0216	1
-	Pump (Three Phase 208-230V)	3-0325	1
-	Pump (Three Phase 460V)	3-0326	1
3	Pit	12-0071	1
4	Medium Grate	20-0480A01	1

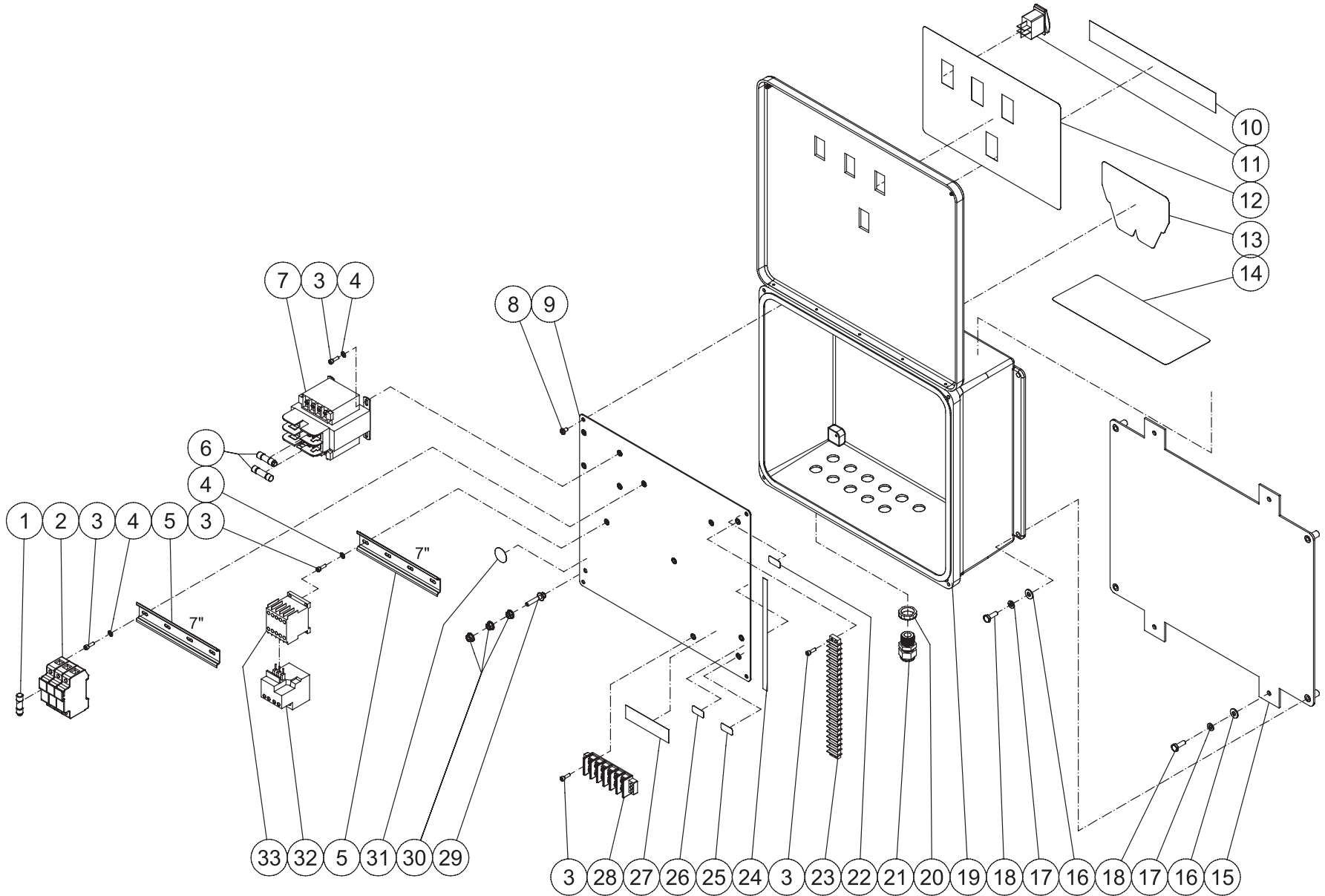
CONTROL PANEL (0M11/1M11) (AFTER SERIAL #30005000)



CONTROL PANEL - BIO-20R - 0M11, 1M11 010214 MLK

CONTROL PANEL BIO 20R 0M11, 1M11 010214 MLK			
CONTROL PANEL			
ITEM	DESCRIPTION	PART #	QTY
1	FUSE SINGLE PHASE 230V (TRANSFER/AERATION)	32-1026	4
	FUSE SINGLE PHASE 230V (SUMP)	32-1024	2
2	FUSE HOLDER	32-1006	3
3	SCREW	27-8835	10
4	STAR WASHER	28-1009	6
5	DIN RAIL *(TWO FEET REQUIRED)	32-0316	1
6	FUSE	32-1028	1
7	FUSE	32-0740	2
8	TRANSFORMER	32-0735	1
9	SCREW	27-8933	4
10	DECAL - 10.5" LONG STRIPE	N/A	1
11	DECAL - Mi-T-M	N/A	1
12	DECAL - BIO ELECTRIC BOX	N/A	1
13	ROCKER SWITCH	32-0669	4
14	ELECTRIC BOX	32-1030	1
15	BOLT	27-5016	4
16	LOCKWASHER	29-1006	4
17	WASHER	28-0121	4
18	DECAL - OPERATION (SEE 71-0104)	N/A	1
19	ELECTRICAL LOCKNUT	32-0108	11
20	STRAIN RELIEF	32-0437	11
21	DECAL - 115 VOLT (SEE 71-0104)	N/A	1
22	TERMINAL STRIP	32-0463	1
23	DECAL - TERMINAL STRIP (SEE 71-0104)	N/A	1
24	ELECTRICAL PLATE	20-0520A06	1
25	DECAL - 1 PHASE (SEE 71-0104)	N/A	1
26	DECAL - 230 VOLT (SEE 71-0104)	N/A	1
-	DECAL - 120 VOLT	N/A	1
27	DECAL - TERMINAL STRIP (SEE 71-0104)	N/A	1
28	TERMINAL BLOCK	32-0536	1
29	DECAL- GROUND PICTORIAL (SEE 71-0104)	N/A	1
30	BOLT	27-8898	1
31	NUT	30-3022	3
32	OVERLOAD SINGLE PHASE 230V (TRANSFER/AERATION)	32-1017	2
	OVERLOAD SINGLE PHASE 230V (SUMP)	32-1014	1
33	CONTACTOR	32-1009	3
-	DECAL SET	71-0104	1
*MUST ORDER IN ONE FOOT LENGTHS			

CONTROL PANEL (0M31/1M31) (AFTER SERIAL #30005000)



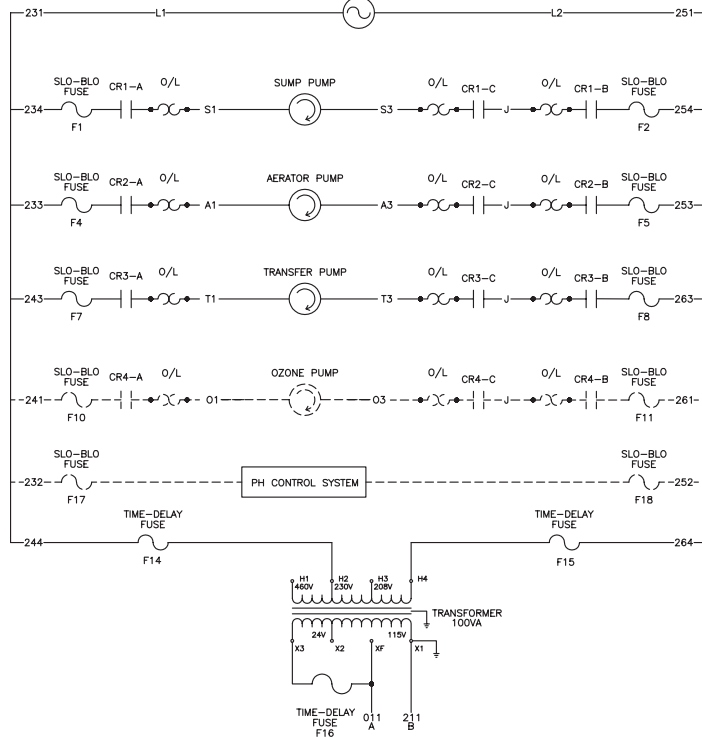
CONTROL PANEL - BIO-20R - 0M31, 1M31 010214 MLK

CONTROL PANEL - BIO-20R-0M30 _1M31 010214 MLK			
CONTROL PANEL			
ITEM	DESCRIPTION	Mi-T-M #	QTY
1	FUSE THREE PHASE 208V/230V (TRANSFER/AERATION)	32-1025	6
-	FUSE THREE PHASE 208V/230V (SUMP)	32-1024	3
-	FUSE THREE PHASE 460V (TRANSFER/AERATION)	32-0470	6
-	FUSE THREE PHASE 460V (SUMP)	32-0741	3
2	FUSE HOLDER	32-1007	3
3	SCREW	27-8835	12
4	STAR WASHER	28-1009	8
5	DIN RAIL *(ONE FOOT REQUIRED)	32-0316	2
6	SECONDARY FUSE	32-1028	1
-	PRIMARY FUSE 208V/230V	32-0740	2
-	PRIMARY FUSE 460V	32-0467	2
7	TRANSFORMER	32-0735	1
8	SCREW	27-8933	4
9	ELECTRICAL PLATE	20-1065A06	1
10	DECAL - 11" STRIPE	N/A	1
11	ROCKER SWITCH	32-0669	4
12	DECAL - BIO ELECTRIC BOX	N/A	1
13	DECAL - Mi-T-M	N/A	1
14	DECAL - OPERATION (SEE 71-0104)	N/A	1
15	MOUNTING PLATE	20-1126A01	1
16	WASHER	28-0121	8
17	LOCKWASHER	29-1006	8
18	BOLT	27-5016	8
19	ELECTRIC BOX	32-1031	1
20	ELECTRICAL LOCKNUT	32-0108	11
21	STRAIN RELIEF	32-0437	11
22	DECAL - 115 VOLT (SEE 71-0104)	N/A	1
23	TERMINAL STRIP	32-0463	1
24	DECAL-TERMINAL STRIP 1-22	N/A	1
25	DECAL - 3 PHASE (SEE 71-0104)	N/A	1
26	DECAL - 230 VOLT (SEE 71-0104)	N/A	1
27	DECAL - TERMINAL STRIP (SEE 71-0104)	N/A	1
28	TERMINAL BLOCK	32-0536	1
29	BOLT	27-8898	1
30	NUT	30-3022	3
31	DECAL- GROUND PICTORIAL (SEE 71-0104)	N/A	1
32	OVERLOAD THREE PHASE 208V/230V (TRANSFER/AERATION)	32-1015	2
-	OVERLOAD THREE PHASE 208V/230V (SUMP)	32-1014	1
-	OVERLOAD THREE PHASE 460V (TRANSFER/AERATION)	32-1012	2
-	OVERLOAD THREE PHASE 460V (SUMP)	32-1010	1
33	CONTACTOR	32-1009	3
-	DECAL SET	71-0104	1

*MUST ORDER IN ONE FOOT LENGTHS

ELECTRICAL SCHEMATIC (SINGLE PHASE) (AFTER SERIAL #30005000)

230V 1Ø LADDER DIAGRAM



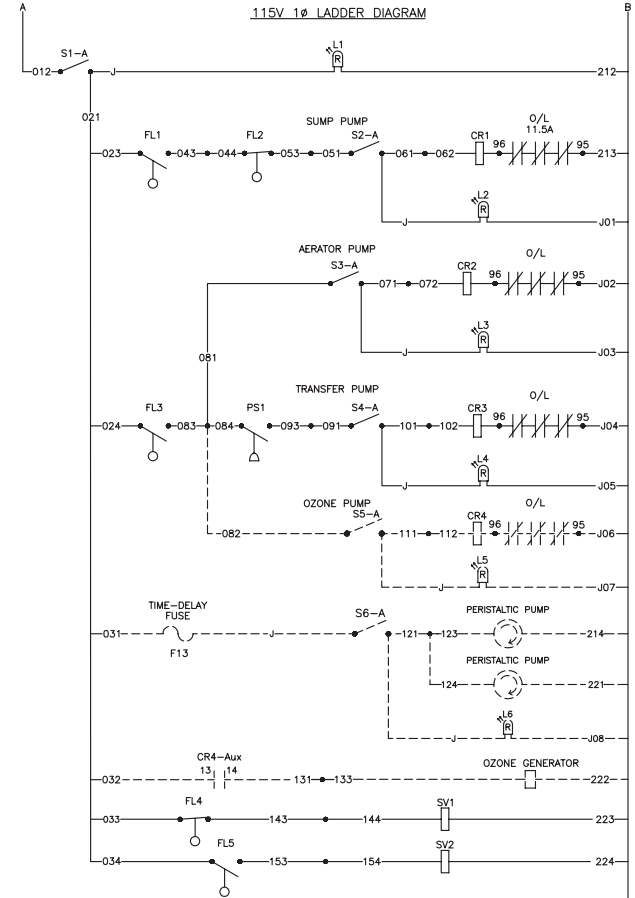
NOTES:

- 1) LADDER DIAGRAM SHOWN WITH POWER TO UNIT AND NO WATER IN PIT
- 2) ALL WIRES ARE 16GA UNLESS OTHERWISE SPECIFIED IN THE TABLE BELOW.

LEGEND

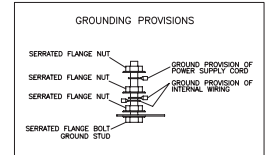
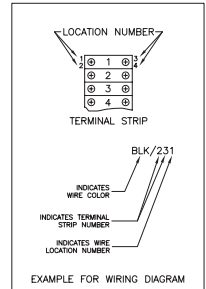
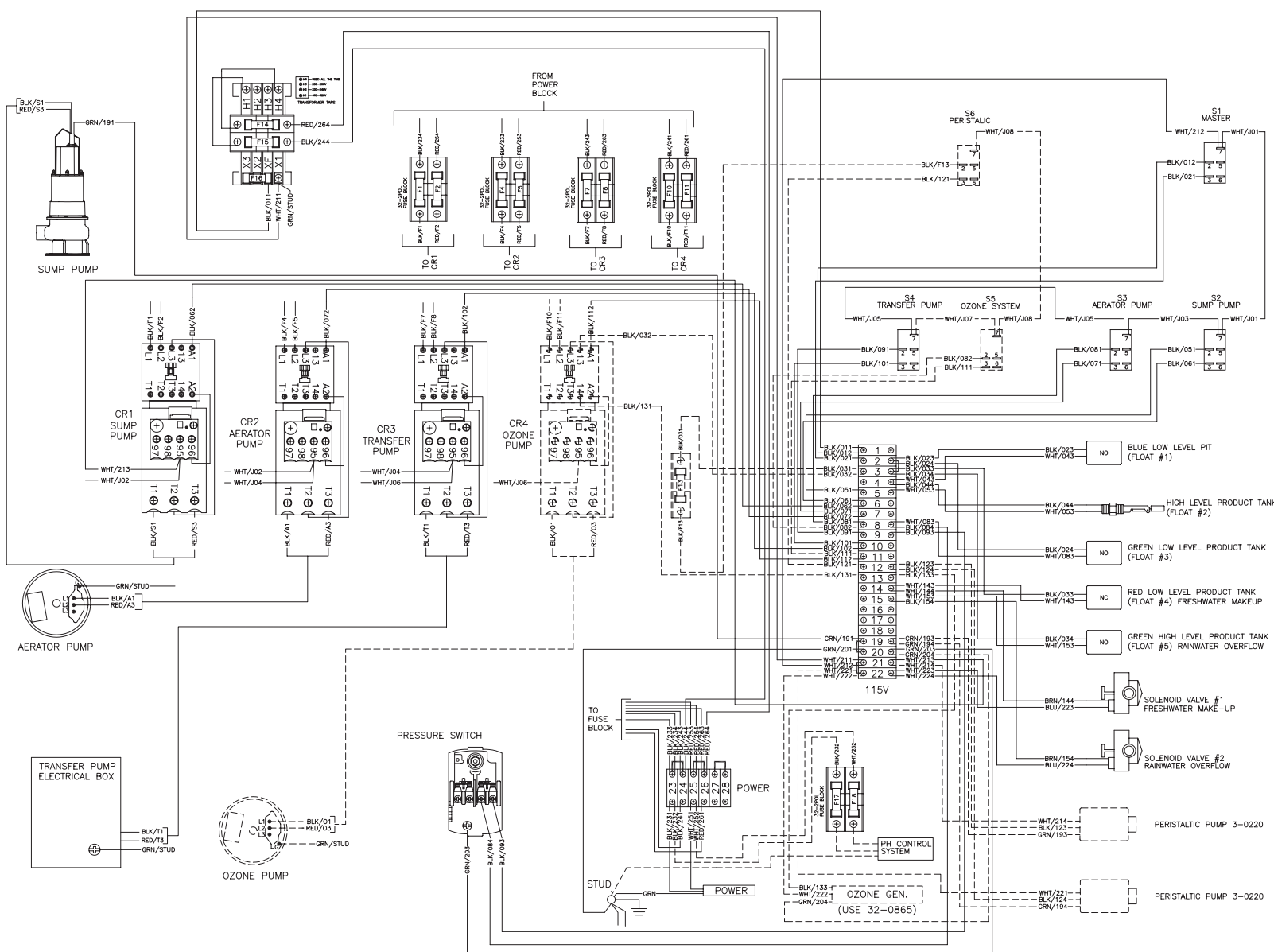
- CR1 = CONTROL RELAY, SUMP PUMP
- CR2 = CONTROL RELAY, AERATOR PUMP
- CR3 = CONTROL RELAY, TRANSFER PUMP
- CR4 = CONTROL RELAY, OZONE PUMP
- S1 = SWITCH, MASTER
- S2 = SWITCH, SUMP PUMP
- S3 = SWITCH, AERATOR PUMP
- S4 = SWITCH, TRANSFER PUMP
- S5 = SWITCH, OZONE SYSTEM
- S6 = SWITCH, PERISTALTIC METERING PUMP
- L1 = LIGHT, FOR S1
- L2 = LIGHT, FOR S2
- L3 = LIGHT, FOR S3
- L4 = LIGHT, FOR S4
- L5 = LIGHT, FOR S5
- L6 = LIGHT, FOR S6
- PS1 = PRESSURE SWITCH, 40-60 PSI (TRANSFER PUMP)
- FL1 = FLOAT, N.O. BLUE LOW LEVEL (SUMP PIT)
- FL2 = FLOAT, N.C. HIGH LEVEL (PRODUCT TANK)
- FL3 = FLOAT, N.O. GREEN LOW LEVEL (PRODUCT TANK)
- FL4 = FLOAT, N.C. RED LOW LEVEL FRESH WATER MAKEUP
- FL5 = FLOAT, N.O. GREEN HIGH LEVEL RAINWATER OVERFLOW
- SV1 = SOLENOID VALVE, FRESH WATER MAKEUP
- SV2 = SOLENOID VALVE, RAINWATER OVERFLOW

115V 1Ø LADDER DIAGRAM



LADDER DIAGRAM MASTER 1 PHASE 052110-MLK

ELECTRICAL DIAGRAM (SINGLE PHASE) (AFTER SERIAL #30005000)



NOTES:

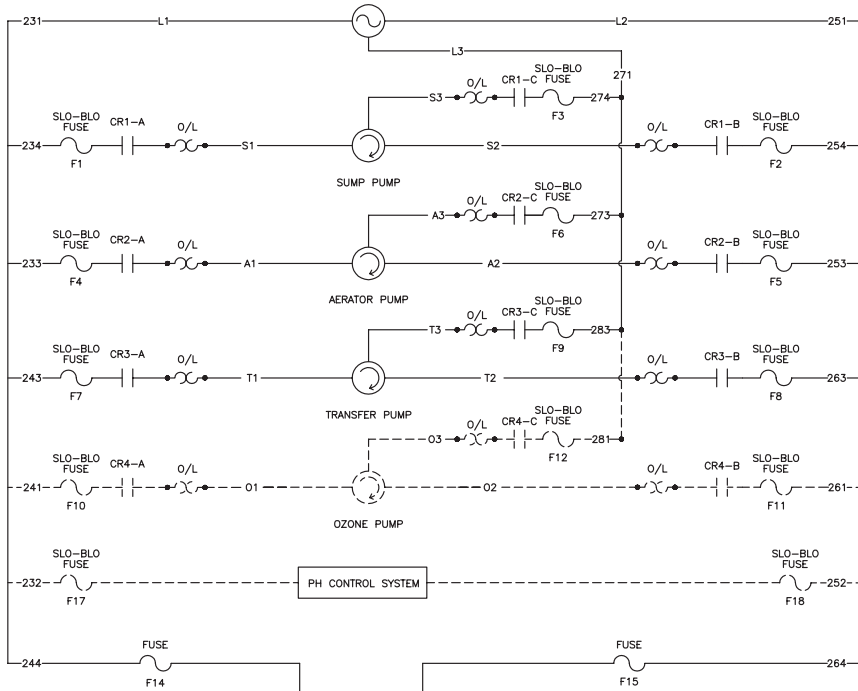
1) ALL WIRES ARE 16GA UNLESS OTHERWISE SPECIFIED IN THE TABLE ON THE LADDER DIAGRAM.

2) FUSE SIZES ARE SHOWN IN THE TABLE ON THE LADDER DIAGRAM OR ON A STICKER INSIDE THE BOX.

WIRING DIAGRAM MASTER 1 PHASE 052909 CAW

ELECTRICAL SCHEMATIC (THREE PHASE) (AFTER SERIAL #30005000)

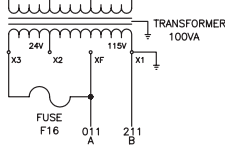
208-230/460V 3Ø LADDER DIAGRAM



NOTE:
LADDER DIAGRAM SHOWN WITH POWER TO UNIT AND
NO WATER IN PIT
FOR FUSE AND OVERLOAD SETTINGS SEE:
FUSE AND OVERLOAD SETTINGS MASTER 3 PHASE DWG

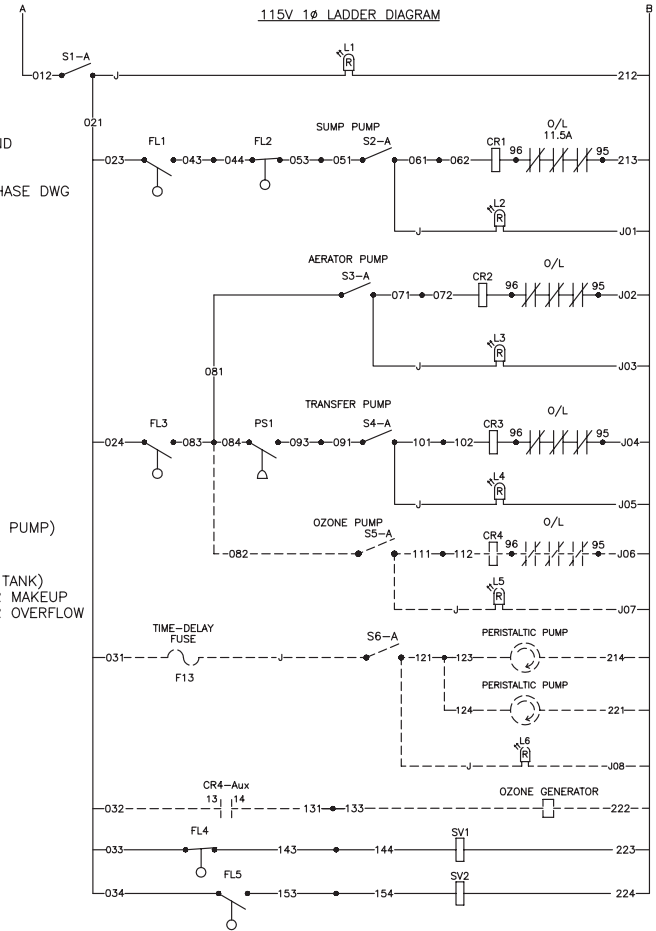
LEGEND

- CR1 = CONTROL RELAY, SUMP PUMP
- CR2 = CONTROL RELAY, AERATOR PUMP
- CR3 = CONTROL RELAY, TRANSFER PUMP
- CR4 = CONTROL RELAY, OZONE PUMP
- S1 = SWITCH, MASTER
- S2 = SWITCH, SUMP PUMP
- S3 = SWITCH, AERATOR PUMP
- S4 = SWITCH, TRANSFER PUMP
- S5 = SWITCH, OZONE SYSTEM
- S6 = SWITCH, PERISTALTIC PUMP
- L1 = LIGHT, FOR S1
- L2 = LIGHT, FOR S2
- L3 = LIGHT, FOR S3
- L4 = LIGHT, FOR S4
- L5 = LIGHT, FOR S5
- L6 = LIGHT, FOR S6
- PS1 = PRESSURE SWITCH, 40-60 PSI (TRANSFER PUMP)
- FL1 = FLOAT, N.O. BLUE LOW LEVEL (SUMP PIT)
- FL2 = FLOAT, N.C. HIGH LEVEL (PRODUCT TANK)
- FL3 = FLOAT, N.O. GREEN LOW LEVEL (PRODUCT TANK)
- FL4 = FLOAT, N.C. RED LOW LEVEL FRESH WATER MAKEUP
- FL5 = FLOAT, N.O. GREEN HIGH LEVEL RAINWATER OVERFLOW
- SV1 = SOLENOID VALVE, FRESH WATER MAKEUP
- SV2 = SOLENOID VALVE, RAINWATER OVERFLOW



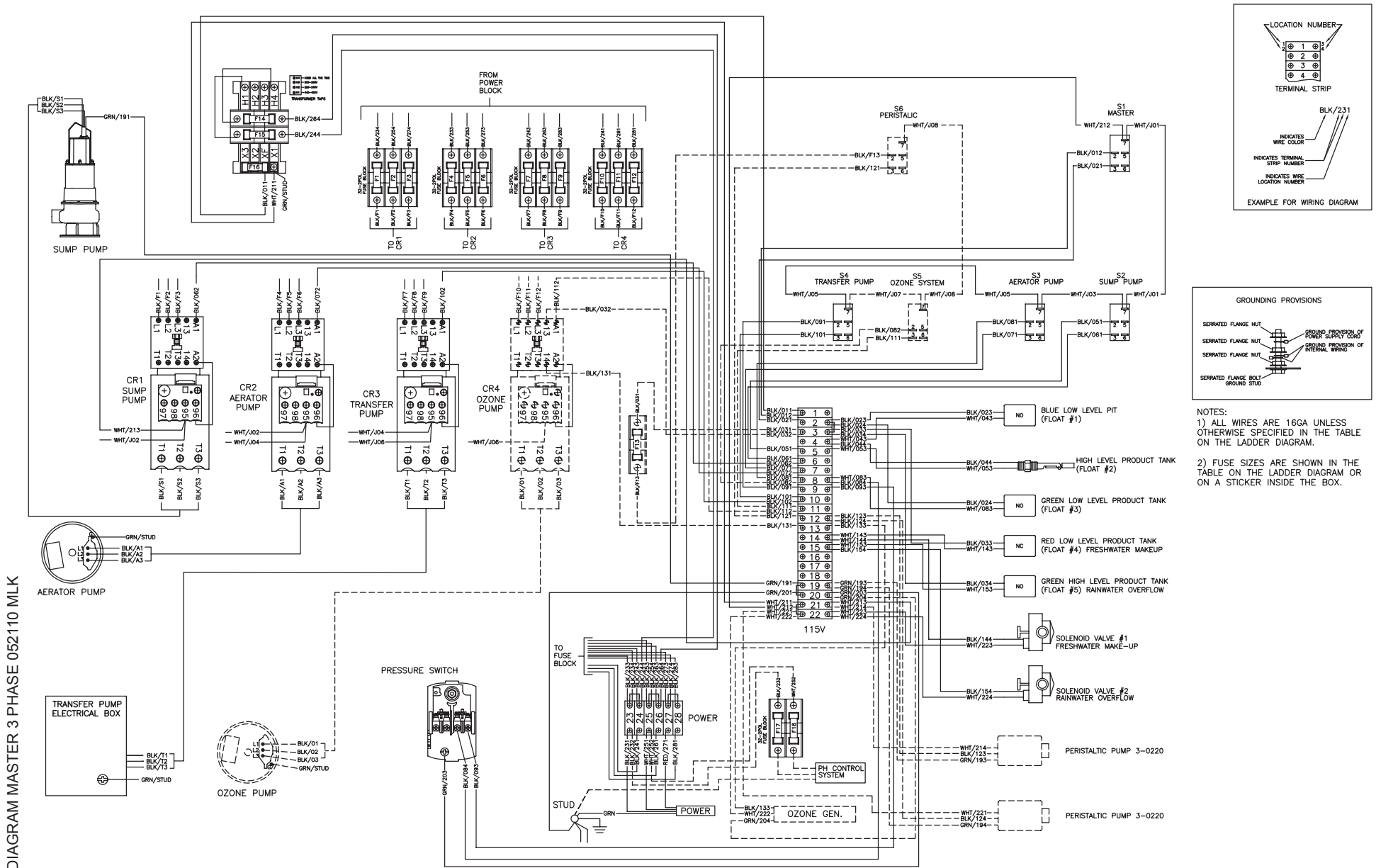
TRANSFORMER FUSE CHART			
VOLTAGE	PHASE	PRIMARY FUSES	SECONDARY FUSE
208	3	1.0 KLDLR	1.0 FLA
230	3	1.0 KLDLR	1.0 FLA
460	3	0.5 KLDLR	1.0 FLA

115V 1Ø LADDER DIAGRAM



LADDER DIAGRAM MASTER 3 PHASE 052110 MLK

ELECTRICAL DIAGRAM (THREE PHASE) (AFTER SERIAL #30005000)



WIRING DIAGRAM MASTER 3 PHASE 052110 MLK

Manufactured by Mi-T-M
8650 Enterprise Drive, Peosta IA 52068
563-556-7484/ Fax 563-556-1235