



PARTS LIST FOR
MH-0018-0D10

This Parts Listing has been compiled for your benefit. You can be assured your Mi-T-M Space Heater was constructed and designed with quality and performance in mind. Each component has been rigorously tested to insure the highest level of acceptance.

The contents of this Parts Listing are based on the latest product information available at the time of publication. Mi-T-M reserves the right to make changes in price, color, materials, equipment, specifications or models at any time without notice.

WARNING

THIS IS A PROFESSIONAL SPACE HEATER. CAUTION SHOULD BE OBSERVED WHEN USING OR REPAIRING THIS UNIT! READ AND FOLLOW THE SAFETY WARNINGS LISTED BELOW BEFORE ATTEMPTING ANY REPAIRS ON THIS SPACE HEATER!

SAFETY WARNINGS

1. NEVER alter or modify the equipment. Use only genuine Mi-T-M parts for repair of your space heater. Failure to do so can cause hazardous operating conditions and will VOID warranty.
2. Be thoroughly familiar with controls.
3. Before servicing the unit, turn unit off, and allow the unit to cool down. Do not make repairs while the unit is running. Service in a clean, dry, flat area. Block the wheels to prevent the unit from moving. Be especially careful to properly dispose of any flammable materials.

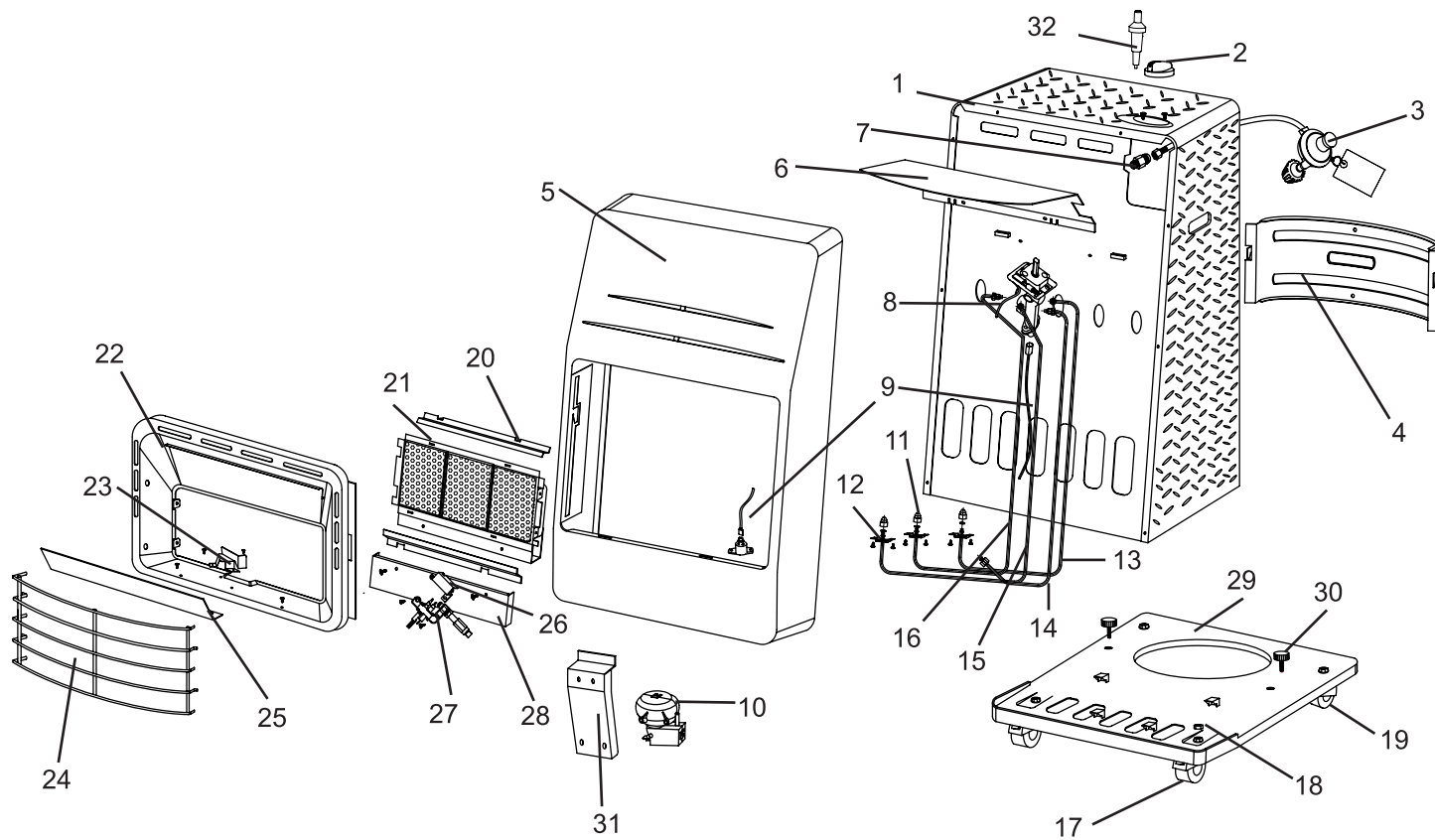
Table of Contents

SPECIFICATIONS.....3
FRAME ASSEMBLY4

SPECIFICATIONS

Model	MH-0018-0D10
Heat Output - Low (BTU)	6,600
Heat Output - Med (BTU)	12,000
Heat Output - High (BTU)	18,000
Heating Area - L / M / H (Sq. Ft.)	210 / 390 / 600
Fuel Consumption - L / M / H (lb./hr.)	.304 / .552 / .828
Required Cylinder Size	20 lb
Max Operating Hours - L / M / H (for 20 lb cylinder)	72 / 36 / 24
Fuel	Propane
Manifold Pressure	11.00" W.C.
Weight (Gross lbs / Net lbs.)	22 / 19.4
Unit Size (with cylinder retainer) (L x W x H) (in.)	15.1 x 17.8 x 24.2
Box Size (L x W x H) (in.)	15.1 x 13.6 x 23

FRAME ASSEMBLY



MH-0018-OD10 080212-RSW

FRAME ASSEMBLY			
ITEM	DESCRIPTION	PART #	QTY.
1	BODY FRAME	68-6161	1
2	KNOB	68-6162	1
3	REGULATOR	68-6163	1
4	BACK COVER	68-6164	1
5	FRONT PANEL	68-6165	1
6	HEAT PLATE	68-6166	1
7	INLET CONNECTOR	68-6167	1
8	MANUAL VALVE	68-6168	1
9	LEAD WIRE	68-6169	1
10	TIP OVER SWITCH	68-6170	1
11	NOZZLE	68-6171	3
12	O-RING	68-6172	3
13	TUBE-R	68-6173	1
14	TUBE-L	68-6174	1
15	TUBE-ODS	68-6175	1
16	TUBE-M	68-6176	1
17	FRONT WHEEL	68-6177	2
18	NUT	68-6178	4
19	REAR WHEEL	68-6179	2
20	CERAMIC BRACE	68-6180	2
21	BURNER	68-6181	1
22	REFLECTOR	68-6182	1
23	WIND COVER	68-6183	1
24	SAFETY GUARD	68-6184	1
25	HEAT SHIELD	68-6185	1
26	WIND COVER	68-6186	1
27	ODS ASSEMBLY	68-6187	1
28	ODS BRACKET	68-6188	1
29	BOTTOM PLATE	68-6189	1
30	BOTTOM SUPPORT	68-6190	2
31	BRACKET	68-6191	1
32	PIEZO LIGHTER	68-6192	1

Manufactured by Mi-T-M
8650 Enterprise Drive, Peosta IA 52068
563-556-7484/ Fax 563-556-1235