



PARTS LIST FOR
CBA-4004-1MGH
(AFTER SERIAL # 10733131)

Engine Oil Grade:	Honda SAE 10W-30
Engine Oil Capacity:	Honda 37 oz.
Pump Oil Grade:	Mi-T-M Pump Oil #AW-4085-0016
Pump Oil Capacity:	40.6 oz.
Nozzle Size:	3.5

This Parts Listing has been compiled for your benefit. You can be assured your Mi-T-M Cold Water Pressure Washer was constructed and designed with quality and performance in mind using over 25 years experience in the pressure washer business. Each component has been rigorously tested to insure the highest level of acceptance.

The contents of this Parts Listing are based on the latest product information available at the time of publication. Mi-T-M reserves the right to make changes in price, color, materials, equipment, specifications or models at any time without notice.

WARNING

THIS IS A PROFESSIONAL HIGH PRESSURE, COLD WATER PRESSURE WASHER. CAUTION SHOULD BE OBSERVED WHEN USING OR REPAIRING THIS UNIT! READ AND FOLLOW THE SAFETY WARNINGS LISTED BELOW BEFORE ATTEMPTING ANY REPAIRS ON THIS PRESSURE WASHER!

SAFETY WARNINGS

1. NEVER alter or modify the equipment. Be sure any accessory items and system components being used will withstand the pressure developed. Use only genuine Mi-T-M parts for repair of your pressure washer. Failure to do so can cause hazardous operating conditions and will VOID warranty.
2. NEVER make adjustments on machinery while the unit is connected to the engine without first removing the ignition cables from the spark plugs. Turning over the machinery by hand during adjustment or cleaning might start the machinery, causing serious injury to the operator.
3. Know how to stop and bleed pressures quickly. Be thoroughly familiar with controls.
4. Before servicing the unit, turn unit off, relieve the water pressure and allow the unit to cool down. Do not make repairs while the unit is running. Service in a clean, dry, flat area.
5. After testing the machine, DO NOT leave the pressurized unit unattended. Shut off the unit and release trapped pressure before leaving.

Table of Contents

SPECIFICATIONS	3
NOTES	4
FRAME ASSEMBLY (AFTER SERIAL # 10733131)	6
PUMP ASSEMBLY (3-0393)	8
UNLOADER ASSEMBLY (8-0633)	10

SPECIFICATIONS

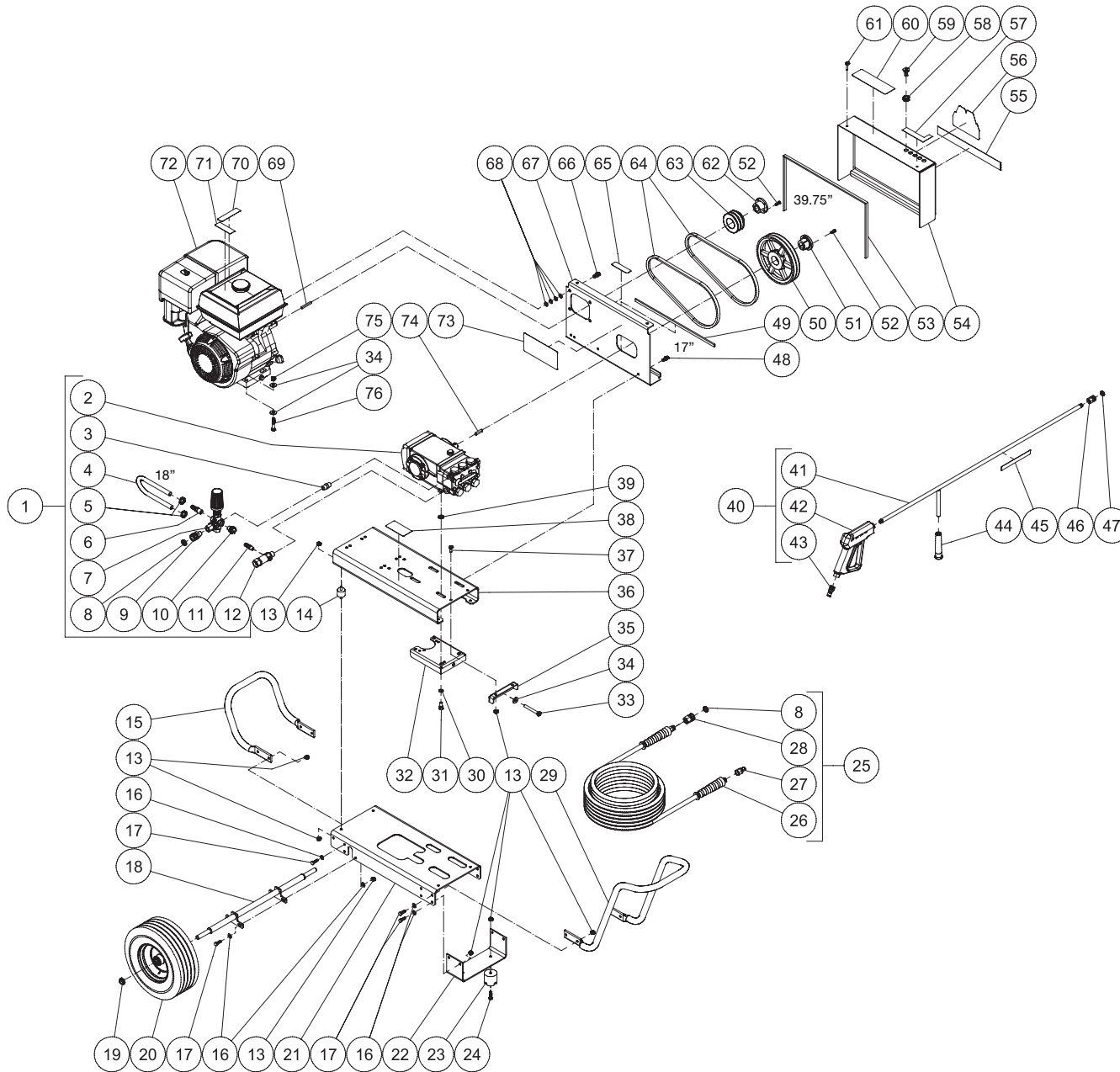
MODEL NUMBER	CBA-4004-1MGH
Operating Pressure (PSI/Bar):	4000 / 275.8
High Pressure Nozzle:	3.5
Water Volume (GPM/lpm):	3.4 / 12.8
Engine:	Honda
Model	GX390
Engine Type	4 Stroke, Overhead Cam, Single Cylinder
Oil Type	SAE10W-30
Oil Capacity (oz./liters)	37 / 1.1
Low Oil Protection	Oil Alert™
Fuel Type	Unleaded Gasoline 86 Octane Minimum
Fuel Capacity (gallon/ liters)	1.6 / 6.4
Starting	Recoil
Maximum No Load RPM	3600
Pump:	Belt Driven, Oil Bath, Triplex Piston
Oil Type	Mi-T-M Pump Oil #AW-4085-0016
Oil Capacity (oz./liters)	40.6 / 1.2
Plungers	Ceramic
Manifold	Forged Brass
Valves	Stainless Steel
Unloader	Adjustable
Thermal Relief Valve	Relieves heated water during unloader bypass stage
Unit Net Weight (Lbs/kg)	150 / 68
Unit Shipping Weight (Lbs/kg)	204 / 92.5
Unit Net Dimension (In/cm)	46.5L x 28W x 27.5H /118L x 71W x 70H
Unit Shipping Dimension (In/cm)	48L x 30W x 34H /122L x 76W x 86

NOTES

DATE	SERIAL # BREAK	REASON
06-11-13	# 10733131	CHANGED PUMP FROM 3-0349 TO 3-0393

NOTES

FRAME ASSEMBLY (AFTER SERIAL # 10733131)



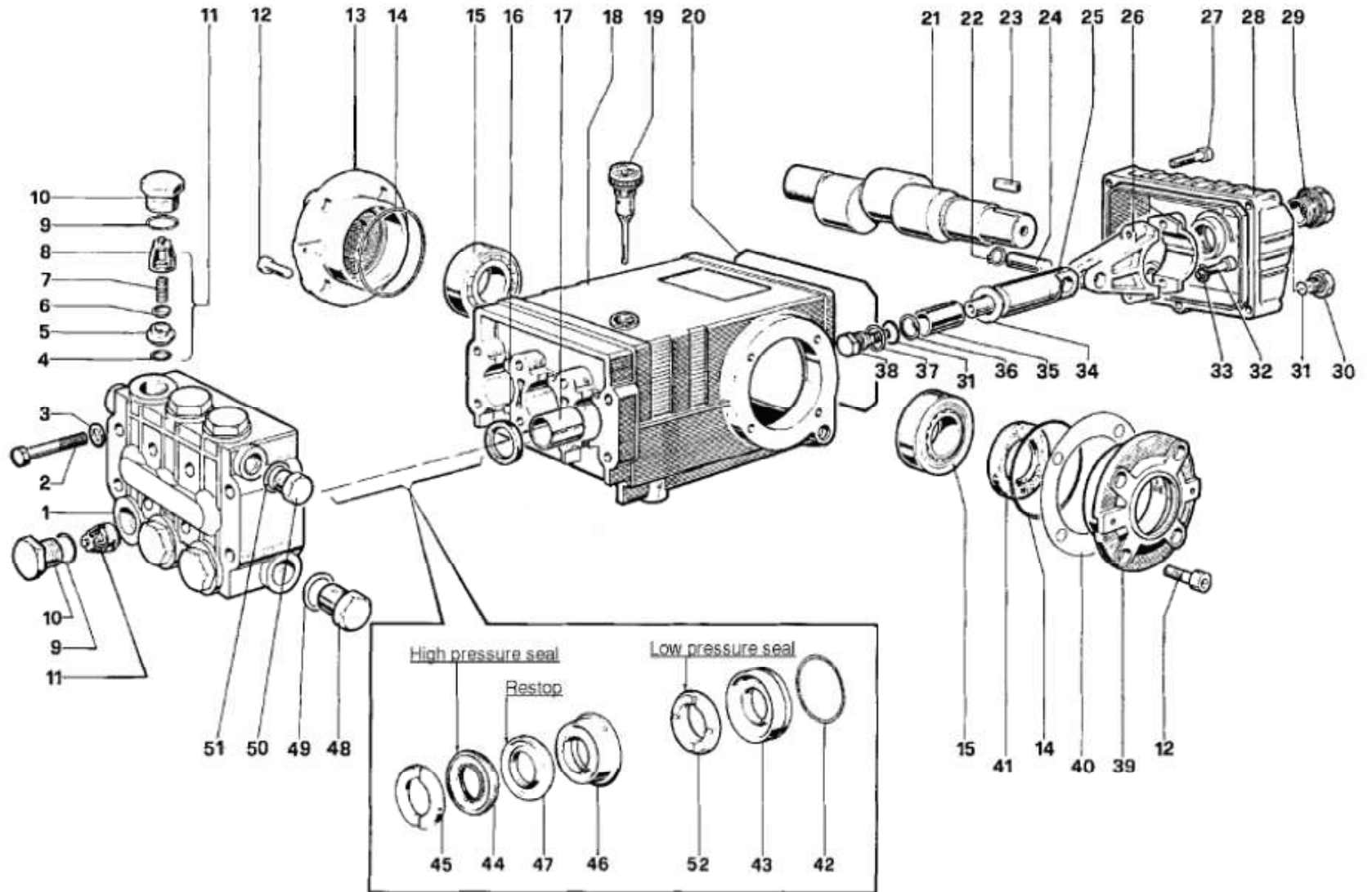
CBA-4004-1MGH-R-061113-RSW

FRAME ASSEMBLY

ITEM	DESCRIPTION	PART #	QTY	ITEM	DESCRIPTION	PART #	QTY
1	PUMP TS1511 W/EXTERNAL BYPASS (2-12)	851-0374	1	41	WAND (INCLUDES GRIP AND QC)	16-0439	1
2	PUMP	3-0393	1	42	GUN	16-0001	1
3	NIPPLE	24-0010	1	43	QUICK CONNECT	17-0005	1
4	HOSE *(TWO FEET REQUIRED)	15-0007	1	44	GRIP	7-0002	1
5	HOSE CLAMP	42-0011	2	45	DECAL - RISK OF INJECTION (SEE 71-1040)	N/A	1
6	HOSE BARB	23-0105	1	46	QUICK CONNECT	17-0001	1
7	UNLOADER	8-0633	1	47	O-RING	25-0122	1
8	O-RING	25-0123	2	48	BOLT	27-9524	3
9	QUICK CONNECT SOCKET	17-0007	1	49	EDGING (TWO FEET REQUIRED)	33-0433	1
10	HEAT DUMP VALVE	22-0114	1	50	SHEAVE	10-0007	1
11	HOSE BARB	23-0120	1	51	BUSHING	9-0017	1
12	FILTER	19-0207	1	52	BOLT	27-0015	4
13	LOCKNUT	30-0157	28	53	EDGING (FOUR FEET REQUIRED)	33-0433	1
14	ISOLATOR	14-0097	4	54	BELTGUARD FRONT	6-0107	1
15	HANDLE	7-0183	1	55	DECAL - STRIPE	N/A	1
16	WASHER	28-0003	20	56	DECAL - Mi-T-M	N/A	1
17	BOLT	27-0067	16	57	DECAL - NOZZLE	N/A	1
18	AXLE	20-0864	1	58	GROMMET	33-0001	5
19	LOCKNUT	30-0117	2	59	NOZZLE 00035 QC	18-0392	1
20	WHEEL	14-0127	2	-	NOZZLE 15035 QC	18-0393	1
21	BASEPLATE	5-0299	1	-	NOZZLE 25035 QC	18-0395	1
22	BRACKET	56-0054	1	-	NOZZLE 40035 QC	18-0396	1
23	ISOLATOR	14-0008	2	60	DECAL - OPERATION (SEE 71-1040)	N/A	1
24	BOLT	27-0068	2	61	BOLT	27-8898	2
25	HOSE ASSEMBLY W/QC 4000 PSI (26-28,8)	851-0338	1	62	BUSHING	9-0005	1
26	HOSE	15-0209	1	63	SHEAVE	10-0029	1
27	QUICK CONNECT	17-0006	1	64	COG BELT AX39	11-0057	2
28	QC SOCKET	17-0004	1	65	DECAL - WARNING (SEE 71-1040)	N/A	1
29	HANDLE	7-018201	1	66	BOLT	27-9601	2
30	LOCKWASHER	29-0055	4	67	BELTGUARD BACK	6-0148	1
31	BOLT	27-8462	4	68	WASHER	28-0122	8
32	TIGHTENER BRACKET	21-0295	1	69	KEY	43-0078	1
33	BOLT	27-0576	1	70	DECAL - RISK OF BURNS (SEE 71-1040)	N/A	1
34	WASHER	28-0023	9	71	DECAL - RISK OF FIRE (SEE 71-1040)	N/A	1
35	TIGHTENER BRACKET	21-0294	1	72	ENGINE	1-0086	1
36	ISOLATION PLATE	5-0298	1	73	DECAL - WARNING (SEE 71-1040)	34-0812	1
37	BOLT	27-0066	2	74	PUMP KEY	43-0091	1
38	DECAL- SILVER STICKER	N/A	1	75	LOCKNUT	30-0159	4
39	WASHER	28-0005	4	76	BOLT	27-0121	4
40	GUN ASSEMBLY (41-43)	851-0371	1	-	DECAL SET	71-1040	1

*MUST ORDER IN ONE FOOT LENGTHS

PUMP ASSEMBLY (3-0393)

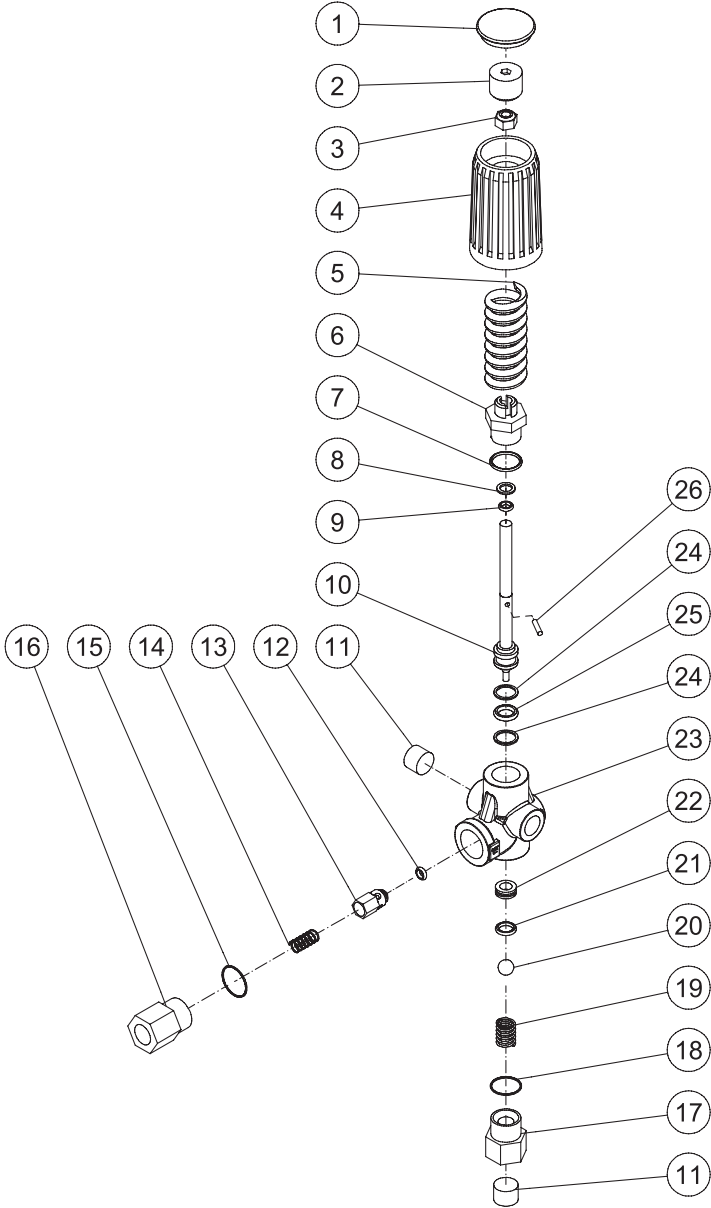


3-0393-061113-RSW

PUMP ASSEMBLY							
ITEM	DESCRIPTION	PART #	QTY	ITEM	DESCRIPTION	PART #	QTY
1	MANIFOLD	N/A	1	27	BOLT	27-8404	5
2	BOLT	27-8185	8	28	COVER/CRANKCASE	46-0295	1
3	FLATWASHER	28-1039	8	29	INDICATOR/OIL LEVEL	46-0114	1
4	O-RING (SEE KIT 70-0009)	25-0053	6	30	PLUG/HEX	39-0017	1
5	VALVE SEAT (SEE KIT 70-0009)	SEE KIT	6	31	O-RING	25-0014	4
6	VALVE PLATE (SEE KIT 70-0009)	SEE KIT	6	32	BOLT	27-8435	6
7	VALVE SPRING (SEE KIT 70-0009)	SEE KIT	6	33	LOCKWASHER	29-0154	6
8	VALVE CAGE (SEE KIT 70-0009)	SEE KIT	6	34	SLINGER WASHER	46-0146	3
9	O-RING	25-0012	6	35	PLUNGER	46-0052	3
10	VALVE PLUG- BRASS	46-0889	6	36	BACK UP RING	46-0109	3
11	VALVE ASSEMBLY (4 - 8)	22-0056	6	37	WASHER/GASKET	28-0400	3
12	BOLT	27-8431	8	38	BOLT/PISTON	46-0069	3
13	COVER/CRANKCASE CLOSED	46-0336	1	39	COVER/CRANKCASE OPEN	46-0296	1
14	O-RING	25-0013	2	40	SHIM	46-0113	1
15	BEARING	48-0012	2	41	SEAL/OIL	26-0049	1
16	SEAL/OIL	26-0047	3	42	O-RING	25-0015	3
17	BUSHING/BEARING	9-0029	3	43	LOW PRESSURE SEAL RETAINER	46-0057	3
18	CRANKCASE	46-0047	1	44	HIGH PRESSURE V-PACKING (SEE KIT 70-0147 OR 852-0122)	26-0098	3
19	OIL DIPSTICK	46-0144	1	45	HIGH PRESSURE HEAD RING (SEE KIT 70-0030 OR 852-0122)	46-0059	3
20	O-RING/COVER	25-0339	1	46	HIGH PRESSURE SEAL (SEE KIT 70-0148)	46-0659	3
21	CRANKSHAFT	46-0888	1	47	V-PACKING SUPPORT (SEE KIT 70-0147 OR 70-0148 OR 852-0122)	25-0207	3
22	RETAINING RING	46-0103	6	48	PLUG/HEX	39-0019	1
23	KEY	43-0048	1	49	WASHER	28-1038	1
24	PIN/CONNECTING ROD	43-0032	3	50	PLUG/HEX	39-0018	1
25	PISTON ROD	46-0056	3	51	WASHER	28-1002	1
26	CONNECTING ROD	46-0051	3	52	LOW PRESSURE SEAL (SEE KIT 70-0147 OR 852-0122)	26-0197	3

REPLACEMENT KITS				
KIT #	DESCRIPTION	ITEMS	# OF ASSEMBLIES	# OF CYLINDERS
70-0009	KIT - VALVE	4,5,6,7,8	6,6,6,6,6	3
70-0030	KIT - HEAD RING	45	6	3
70-0147	KIT - PACKING	44,47,52	3,3,3	3
70-0148	KIT - INTERMEDIATE RETAINER	46,47	3,3	3
852-0122	KIT - PACKING ASSEMBLY	44,45,47,52	3,3,3,3	3

UNLOADER ASSEMBLY (8-0633)



UNLOADER			
ITEM	DESCRIPTION	PART #	QTY
1	CAP	39-0252	1
2	NUT	46-1528	1
3	LOCKNUT	30-3156	1
4	KNOB	7-0242	1
5	SPRING	49-0171	1
6	FITTING	46-1529	1
7	O-RING (SEE KIT 70-0625)	SEE KIT	1
8	O-RING (SEE KIT 70-0625)	SEE KIT	1
9	O-RING (SEE KIT 70-0625)	SEE KIT	1
10	STEM	46-1530	1
11	PLUG	23-0244	2
12	O-RING (SEE KIT 70-0624)	SEE KIT	1
13	POPPET (SEE KIT 70-0624)	SEE KIT	1
14	SPRING (SEE KIT 70-0624)	SEE KIT	1
15	O-RING	25-0672	1
16	OUTLET FITTING	46-1531	1
17	INLET FITTING (SEE KIT 70-0625)	SEE KIT	1
18	O-RING (SEE KIT 70-0625)	SEE KIT	1
19	SPRING	49-0172	1
20	BALL (SEE KIT 70-0625)	SEE KIT	1
21	O-RING (SEE KIT 70-0625)	SEE KIT	1
22	SEAT	46-1532	1
23	FORGING	46-1533	1
24	BACKUP RING (SEE KIT 70-0625)	SEE KIT	2
25	O-RING (SEE KIT 70-0625)	SEE KIT	1
26	PIN (SEE KIT 70-0625)	SEE KIT	1

REPLACEMENT KITS			
KIT #	DESCRIPTION	ITEMS	QTY
70-0624	KIT - CHECK VALVE	12-14	1, 1, 1
70-0625	KIT - UNLOADER REBUILD	7-9, 17, 18, 20, 21, 24-26	1, 1, 1, 1, 1, 1, 1, 2, 1, 1

Manufactured by Mi-T-M
8650 Enterprise Drive, Peosta IA 52068
563-556-7484/ Fax 563-556-1235