



PARTS LIST FOR  
***WCP-10AB-0M10***  
***WCP-10AB-0M30***  
WATER RECYCLING TREATMENT SYSTEM

Congratulations on the purchase of your new Mi-T-M water treatment system! This parts listing has been compiled for your benefit. You can be assured your Mi-T-M water treatment system was constructed and designed with quality and performance in mind. Each component has been rigorously tested to insure the highest level of acceptance.

The contents of this parts listing are based on the latest product information available at the time of publication. Mi-T-M reserves the right to make changes in price, color, materials, equipment, specifications or models at any time without notice.

### **WARNING**

THIS IS A PROFESSIONAL WATER TREATMENT SYSTEM. CAUTION SHOULD BE OBSERVED WHEN USING OR REPAIRING THIS UNIT! READ AND FOLLOW THE SAFETY WARNINGS LISTED BELOW BEFORE ATTEMPTING ANY REPAIRS ON THIS WATER TREATMENT SYSTEM!

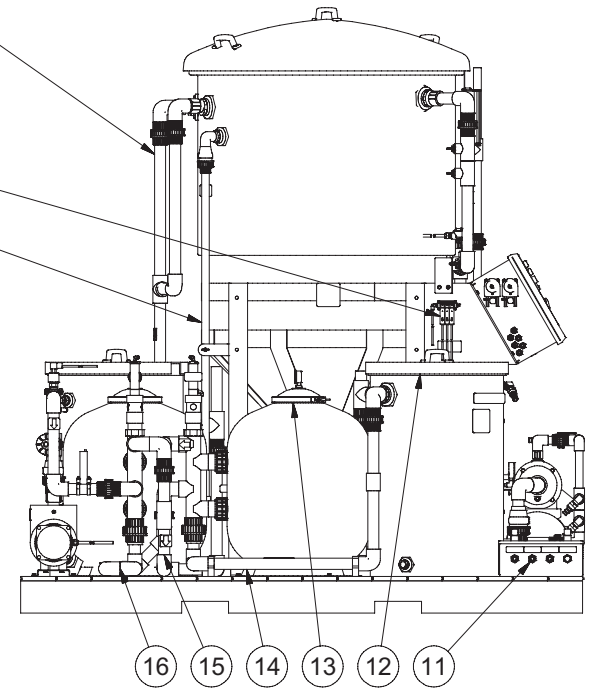
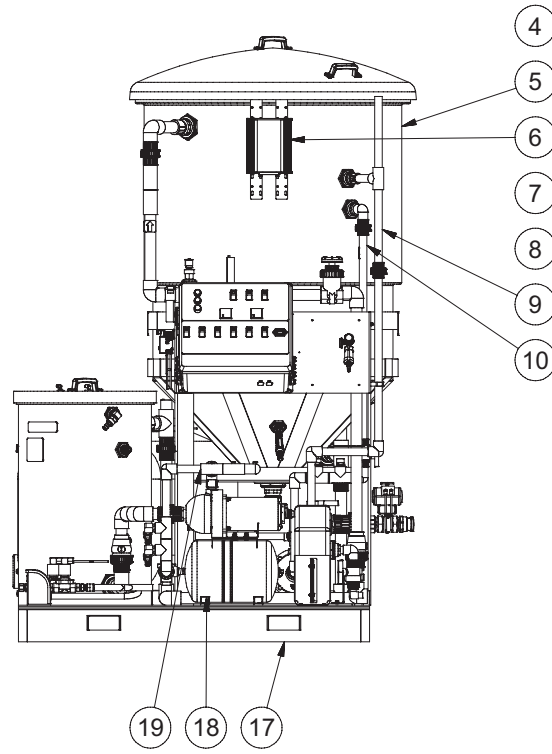
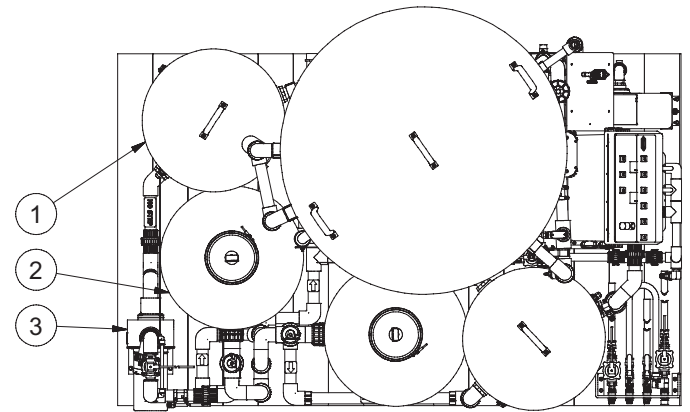
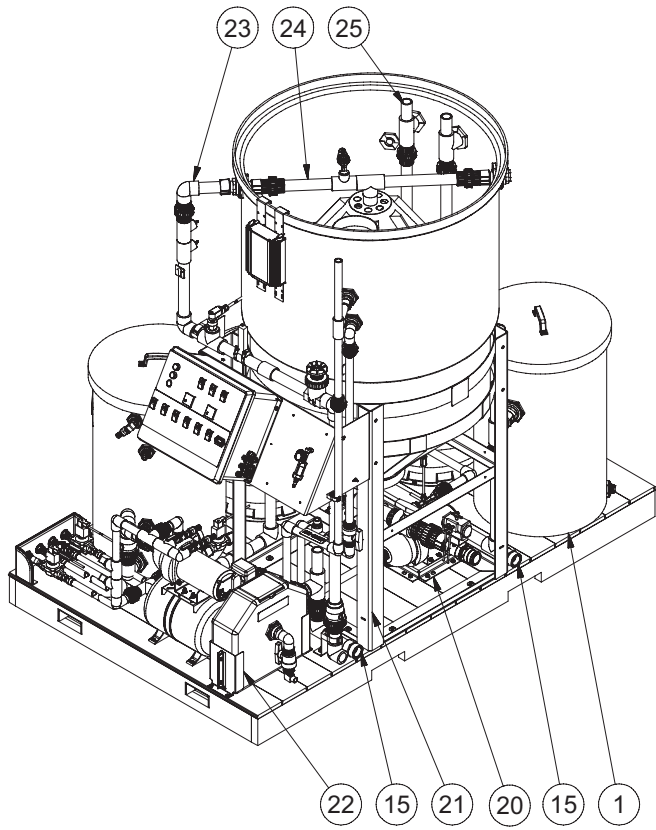
### **SAFETY WARNINGS**

1. Serious injury or death could occur if the water treatment system is not properly grounded. Your water treatment system is powered by electricity and may cause electric shock or electrocution if not installed properly. Installation to this unit, including all electrical connections, must comply with all local, state and national codes. Any electrical wiring or repairs performed on this water treatment system should be done by Authorized Service Personnel in accordance with National and Local electrical codes.
2. NEVER alter or modify the equipment. Use only genuine Mi-T-M parts for repair of your water treatment system. Failure to do so can cause hazardous operating conditions and will VOID warranty.
3. Know how to stop and bleed pressures quickly. Be thoroughly familiar with controls. Do not operate without protective cover/guards. Follow the maintenance instructions specified in your operator's manual.
4. Before servicing, ALWAYS shut off the water and the unit. Allow the unit to cool down. NEVER assume the water treatment system is safe to work on just because it is not operating. It could restart at any time! ALWAYS disconnect from the power source. Service in a clean, dry flat area.
5. Be especially careful it properly dispose of any flammable materials. Consult Materials Safety Data Sheets for safe handling of chemicals used with your system, especially oxidizers and acids.

## TABLE OF CONTENTS

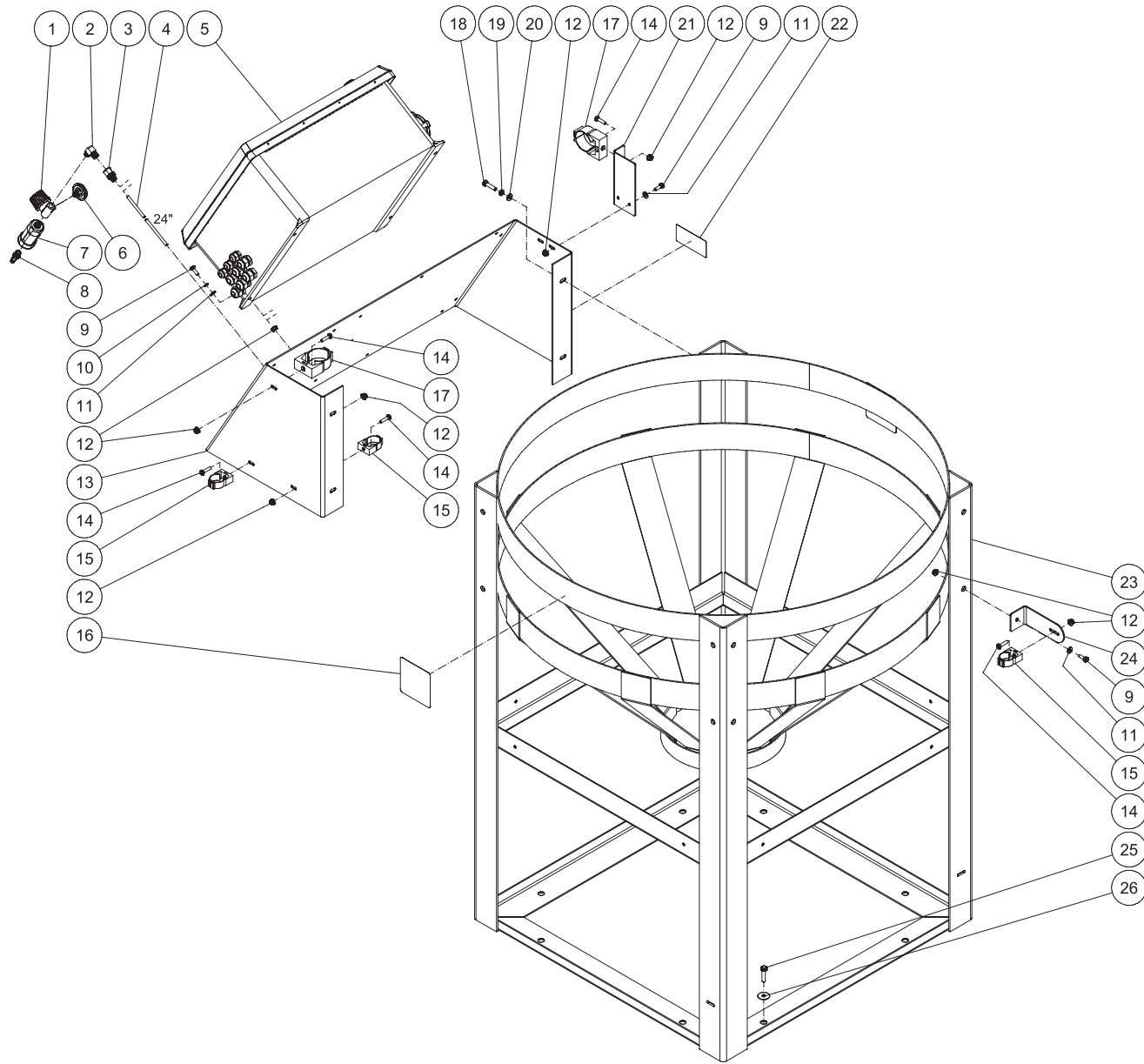
MAIN ASSEMBLY .....	4
TANK STAND ASSEMBLY .....	6
PLUMBING: INLET ASSEMBLY .....	8
CLARIFIER TANK ASSEMBLY .....	10
PLUMBING: OZONE PUMP INLET ASSEMBLY .....	14
OZONE PUMP ASSEMBLY .....	15
OZONE PUMP (3-0186) (SINGLE PHASE).....	16
OZONE PUMP (3-0322) (THREE PHASE).....	18
PLUMBING: OZONE PUMP OUTLET ASSEMBLY .....	19
PLUMBING: OIL DECANTER ASSEMBLY.....	20
OUTLET RING ASSEMBLY.....	21
PLUMBING: CLARIFIER TANK OUTLET ASSEMBLY .....	22
HOLDING TANK ASSEMBLY.....	23
FILTER PUMP ASSEMBLY .....	24
FILTER PUMP (3-0328) (SINGLE PHASE).....	26
FILTER PUMP (3-0317) (THREE PHASE) .....	27
MULTI-MEDIA FILTER ASSEMBLY .....	28
SLIDE VALVE ASSEMBLY .....	29
PLUMBING: MEDIA FILTER TO POLISHING FILTER .....	30
POLISHING FILTER ASSEMBLY .....	31
PLUMBING: POLISHING FILTER TO PRODUCT TANK .....	32
PRODUCT TANK ASSEMBLY .....	34
TRANSFER PUMP AND TANK ASSEMBLY (WCP-10AB-0M10) .....	36
TRANSFER PUMP AND TANK ASSEMBLY (WCP-10AB-0M30) .....	38
TRANSFER PUMP - SINGLE PHASE (3-0181).....	40
TRANSFER PUMP - THREE PHASE (3-0321) .....	42
HOSE ASSEMBLIES.....	44
TRANSFER PUMP MANIFOLD (WCP-10AB-0M10) .....	46
TRANSFER PUMP MANIFOLD (WCP-10AB-0M30) .....	48
MANIFOLD ASSEMBLY .....	50
OIL DECANTER ASSEMBLY .....	52
PLUMBING: DRAIN LINE ASSEMBLY .....	54
PH / ORP PUMP (3-0316) .....	56
OZONE GENERATOR MOUNTING .....	57
CONTROL PANEL .....	58
CONTROL PANEL PLATE ASSEMBLY .....	60
AIR CONTROL SYSTEM (3) .....	62
SLUDGE BOX ASSEMBLY (855-0017).....	63
SUMP PIT ASSEMBLY .....	64
SUMP PUMP ASSEMBLY .....	65
SUMP PUMP (3-0328) (SINGLE PHASE).....	66
SUMP PUMP (3-0317) (THREE PHASE) .....	67
PNEUMATIC DIAGRAM .....	68
NOTES .....	69
LADDER DIAGRAM (SINGLE PHASE) .....	70
WIRE DIAGRAM (SINGLE PHASE).....	71
LADDER DIAGRAM (THREE PHASE) .....	72
WIRE DIAGRAM (THREE PHASE).....	73

# MAIN ASSEMBLY



WCP-10AB-0M10 111813 MLK			
MAIN ASSEMBLY			
ITEM	DESCRIPTION	Mi-T-M #	QTY
1	HOLDING TANK ASSEMBLY	N/A SEP.	1
2	MEDIA FILTER ASSEMBLY - WCP-10AB-0M10 / 0M30	N/A SEP.	1
3	FILTER PUMP ASSY - WCP-10AB-0M10/30	N/A SEP.	1
4	CLARIFIER TANK OUTLET ASSEMBLY	N/A SEP.	1
5	CLARIFIER TANK ASSEMBLY	N/A SEP.	1
6	OZONE GENERATOR ASSEMBLY - WCP-10-0M10	N/A SEP.	1
7	AIR CONTROL SYSTEM ASSEMBLY	N/A SEP.	1
8	OZONE PUMP OUTLET ASSY - WCP-10AB-0M10/30	N/A SEP.	1
9	OIL DECANTER PLUMBING ASSEMBLY	N/A SEP.	1
10	OZONE PUMP INLET PLUMBING - WCP-10AB-0M10/30	N/A SEP.	1
11	MANIFOLD ASSY - WCP-10AB-0M10/30	N/A SEP.	1
12	PRODUCT TANK ASSEMBLY	N/A SEP.	1
13	POLISHING FILTER ASSEMBLY - WLP-20AB-0M11 / 0M31	N/A SEP.	1
14	POLISHING FILTER TO PRODUCT TANK	N/A SEP.	1
15	DRAIN LINE ASSEMBLY	N/A SEP.	1
16	MEDIA TO POLISHING FILTER ASSY	N/A SEP.	1
17	5' X 8' PALLET	35-0034	1
18	TRANSFER PUMP & TANK ASSY - WCP-10AB-0M10	N/A SEP.	1
19	TRANSFER PUMP MANIFOLD-WCP-10AB-0M10	N/A SEP.	1
20	OZONE PUMP ASSEMBLY - WCP-30AB	N/A SEP.	1
21	TANK STAND ASSY - WCP-10AB-0M10/30	N/A SEP.	1
22	DECANTER ASSY - WCP-10AB-0M10/30	N/A SEP.	1
23	INLET PLUMBING ASSEMBLY - WCP-10-0M10	N/A SEP.	1
24	CONE ASSEMBLY - WCP-10-0M10	855-0022	1
25	OUTLET RING ASSEMBLY - WCP-10-0M10	N/A SEP.	1

# TANK STAND ASSEMBLY

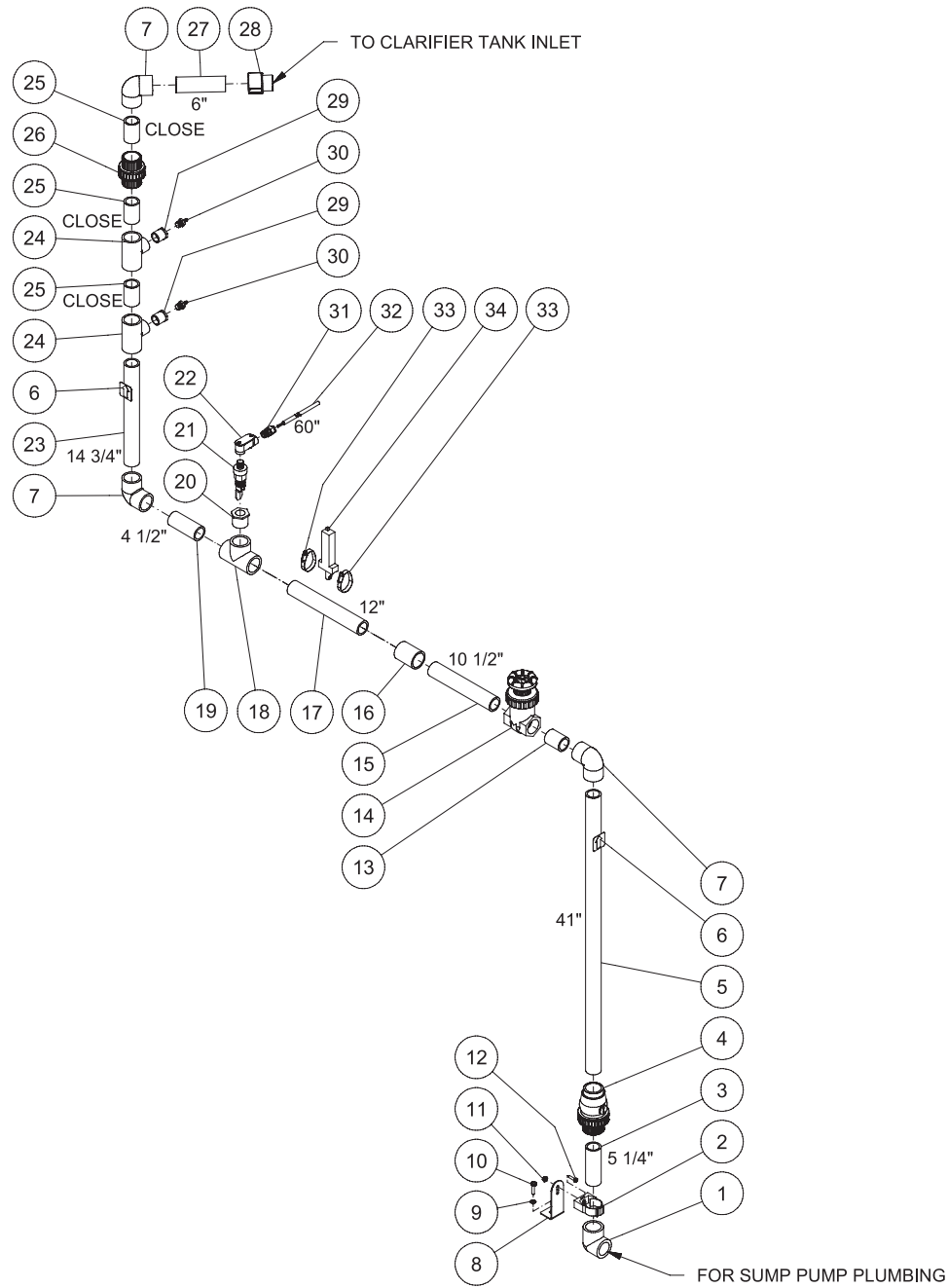


TANK STAND ASSEMBLY - WCP-10AB-0M10\_0M30 MLK 111313 MLK

TANK STAND ASSY WCP-10AB-0M10/30 111313 MLK

TANK STAND ASSEMBLY			
ITEM	DESCRIPTION	PART #	QTY
1	REGULATOR	22-0326	1
2	ELBOW	23-0130	1
3	BULKHEAD	55-0092	1
4	HOSE *(TWO FEET REQUIRED)	15-0240	1
5	CONTROL PANEL ASSEMBLY	N/A. SEP.	1
6	PRESSURE GAUGE	22-0257	1
7	AIR FILTER	AT-4007	1
8	QUICK CONNECT	17-0049	1
9	BOLT	27-5016	7
10	LOCKWASHER	28-1028	4
11	WASHER	28-0121	7
12	NUT	30-5202	12
13	CONTROL PANEL BRACKET	20-0570A01	1
14	BOLT	27-5018	5
15	CLAMP	42-0038	3
16	DECAL - NONPOTABLE WATER (SEE 71-0098)	N/A	2
17	CLAMP	42-0026	2
18	BOLT	27-8963	4
19	LOCKWASHER	29-1007	4
20	WASHER	28-0122	4
21	BRACKET	20-0569A01	1
22	DECAL - MI-T-M SPEC'S	N/A	1
23	TANK STAND	20-0597A01	1
24	CLAMP BRACKET	20-0555A01	1
25	BOLT	27-5276	8
26	WASHER	28-0057	8
-	DECAL SET	71-0098	1

# PLUMBING: INLET ASSEMBLY

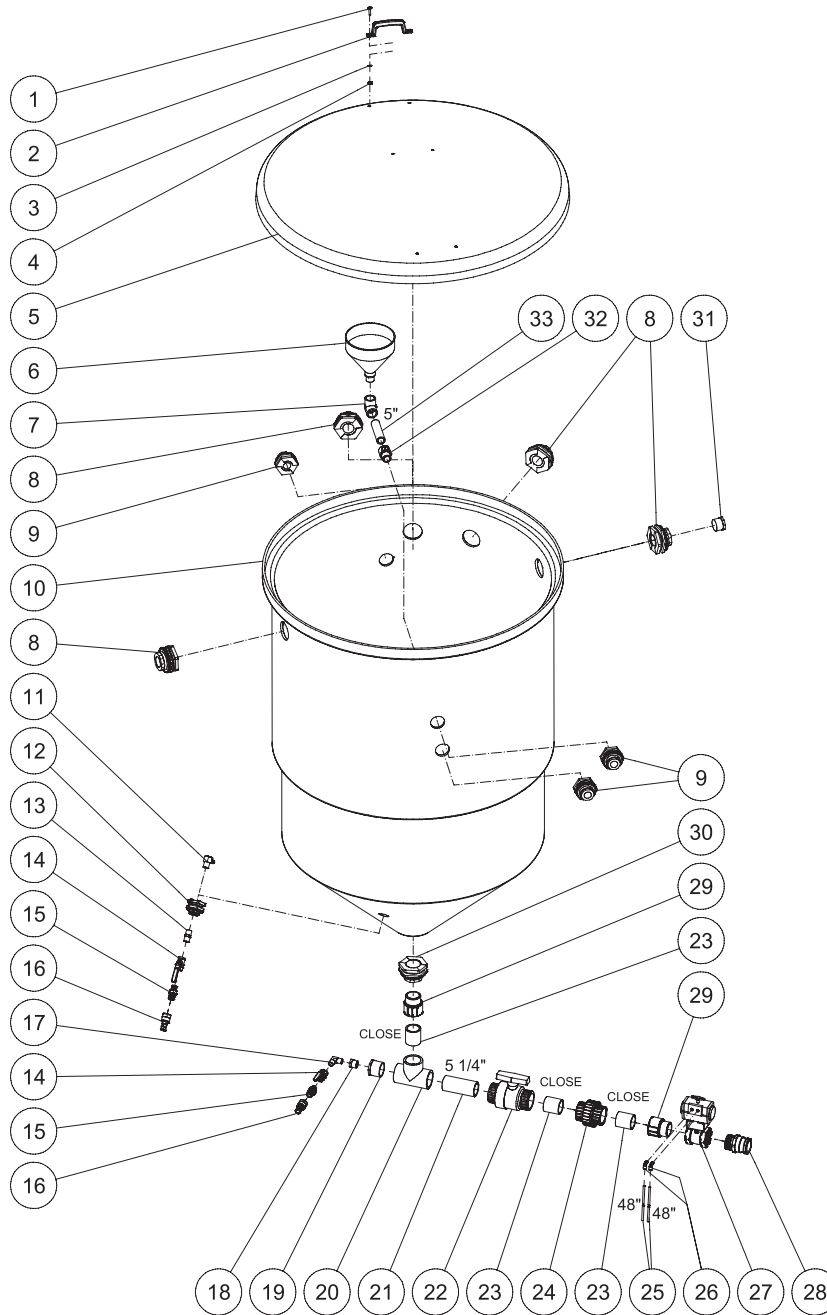


INLET PLUMBING ASSEMBLY - WCP-10-0M10 102913



INLET PLUMBING ASSEMBLY - WCP-10-0M10 102913			
INLET PLUMBING			
ITEM	DESCRIPTION	PART #	QTY
1	ELBOW	55-1610	1
2	CLAMP	42-0026	1
3	PIPE *(1 1/2" X 5 1/4")	55-1600	1
4	CHECK VALVE	55-1652	1
5	PIPE* (1-1/2" X 41")	55-1600	1
6	DECAL	N/A	2
7	ELBOW	55-1609	3
8	CLAMP BRACKET	20-0555A01	1
9	WASHER	28-0122	1
10	BOLT	27-5276	1
11	NUT	30-5202	1
12	BOLT	27-5018	1
13	PIPE *(1 1/2" X 2 3/8")	55-1600	1
14	GATE VALVE	55-1671	1
15	PIPE *(1 1/2" X 10 1/2")	55-1600	1
16	COUPLER	55-1614	1
17	PIPE *(1 1/2" X 12") CLEAR	55-1685	1
18	TEE	55-1601	1
19	PIPE *(1 1/2" X 4 1/2")	55-1600	1
20	REDUCER	55-1629	1
21	FLOW SWITCH	32-0641	1
22	ELBOW	32-0642	1
23	PIPE *(1 1/2" X 14 3/4")	55-1600	1
24	TEE	55-1603	2
25	PIPE *(1 1/2" X 2 3/4")	55-1600	3
26	UNION	55-1645	1
27	PIPE *(1 1/2" X 6")	55-1600	1
28	ADAPTER	55-1622	1
29	REDUCER	55-1229	2
30	HOSE BARB	55-0023	2
31	STRAIN RELIEF	32-0437	1
32	CORD *(FIVE FEET REQUIRED)	32-0075	1
33	HOSE CLAMP	42-0027	2
34	FLOW METER	55-0016	1
-	DECAL SET	71-0098	1
*MUST ORDER IN ONE FOOT LENGTHS			

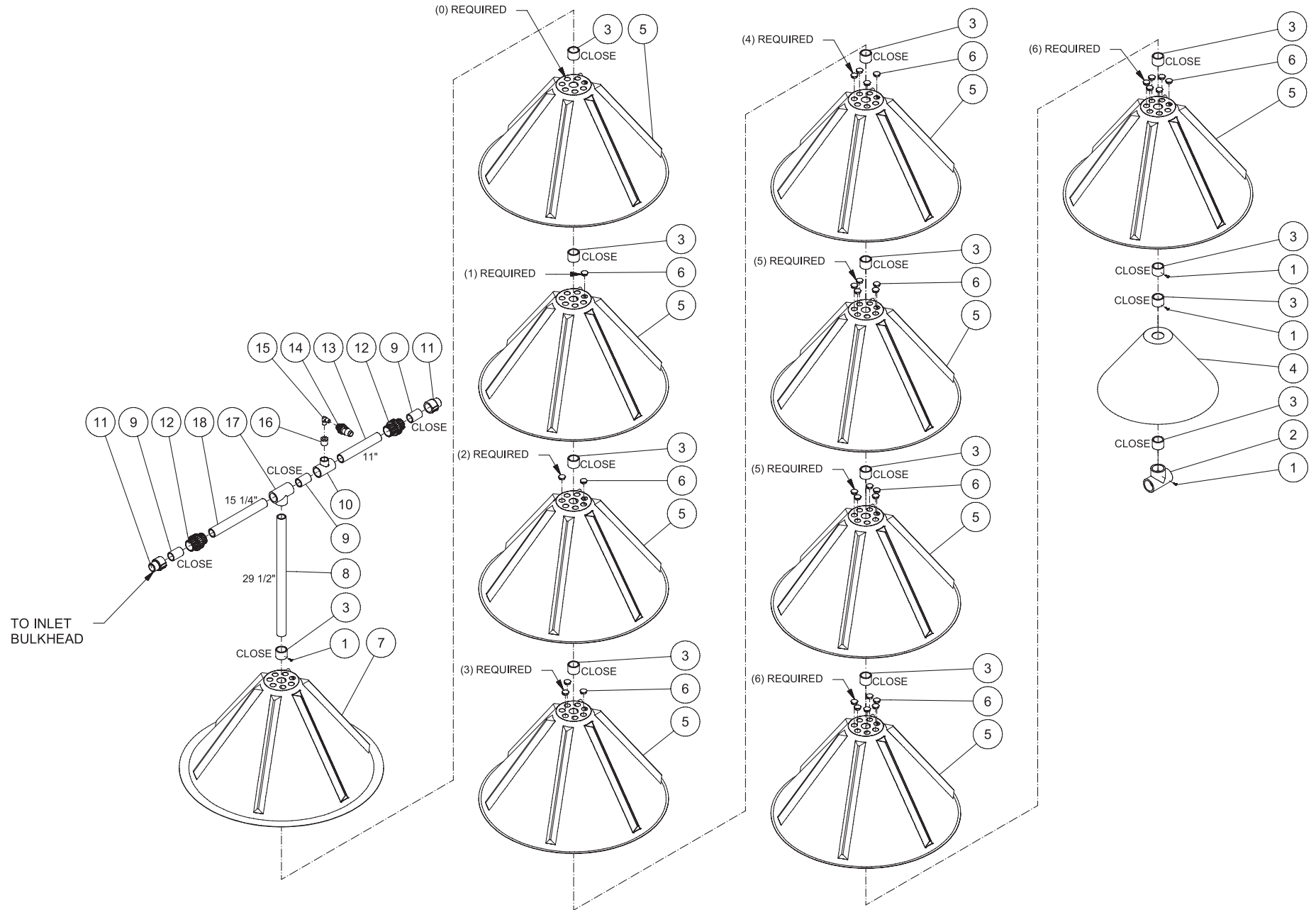
# CLARIFIER TANK ASSEMBLY



CLARIFIER TANK ASSEMBLY - WCP-10AB-0M10\_0M30 102513 MLK

CLARIFIER TANK ASSY WCP-10AB-0M10/30 102513 MLK			
CLARIFIER TANK ASSEMBLY			
ITEM	DESCRIPTION	PART #	QTY
1	BOLT	27-5018	6
2	HANDLE	7-0164	3
3	WASHER	28-0121	6
4	LOCKNUT	30-5155	6
5	LID FOR 12-0072	N/A	1
6	FUNNEL	33-0338	1
7	ELBOW	55-1210	1
8	BULKHEAD (INC. 25-0481 GASKET)	55-1686	4
9	BULKHEAD (INC. 25-042 GASKET)	55-1286	3
10	CLARIFIER TANK - 300 GALLON	12-0072	1
11	ELBOW	23-0053	1
12	BULKHEAD (INC. 25-0506 GASKET)	55-0886	1
13	NIPPLE	23-0012	1
14	BALL VALVE	22-0278	2
15	NIPPLE	23-0359	2
16	HOSE BARB	23-0358	2
17	ELBOW	23-0386	1
18	REDUCER	55-1234	1
19	REDUCER	55-1830	1
20	TEE	55-1801	1
21	PIPE *(2" X 5")	55-1800	1
22	BALL VALVE	55-1855	1
23	PIPE *(2" X 2 1/2")	55-1800	3
24	UNION	55-1845	1
25	HOSE *(FIVE FEET REQUIRED)	15-0240	2
26	ELBOW	55-0104	2
27	PNEUMATIC VALVE	22-0354	1
28	ADAPTER	55-0054	1
29	ADAPTER	55-1822	2
30	BULKHEAD (INC. 25-0481 GASKET)	55-1886	1
31	PLUG	55-1640	1
32	ADAPTER	55-1222	1
33	PIPE *(1" X 5")	55-1200	1
*MUST ORDER IN ONE FOOT LENGTHS			

### CONE ASSEMBLY (855-0022)



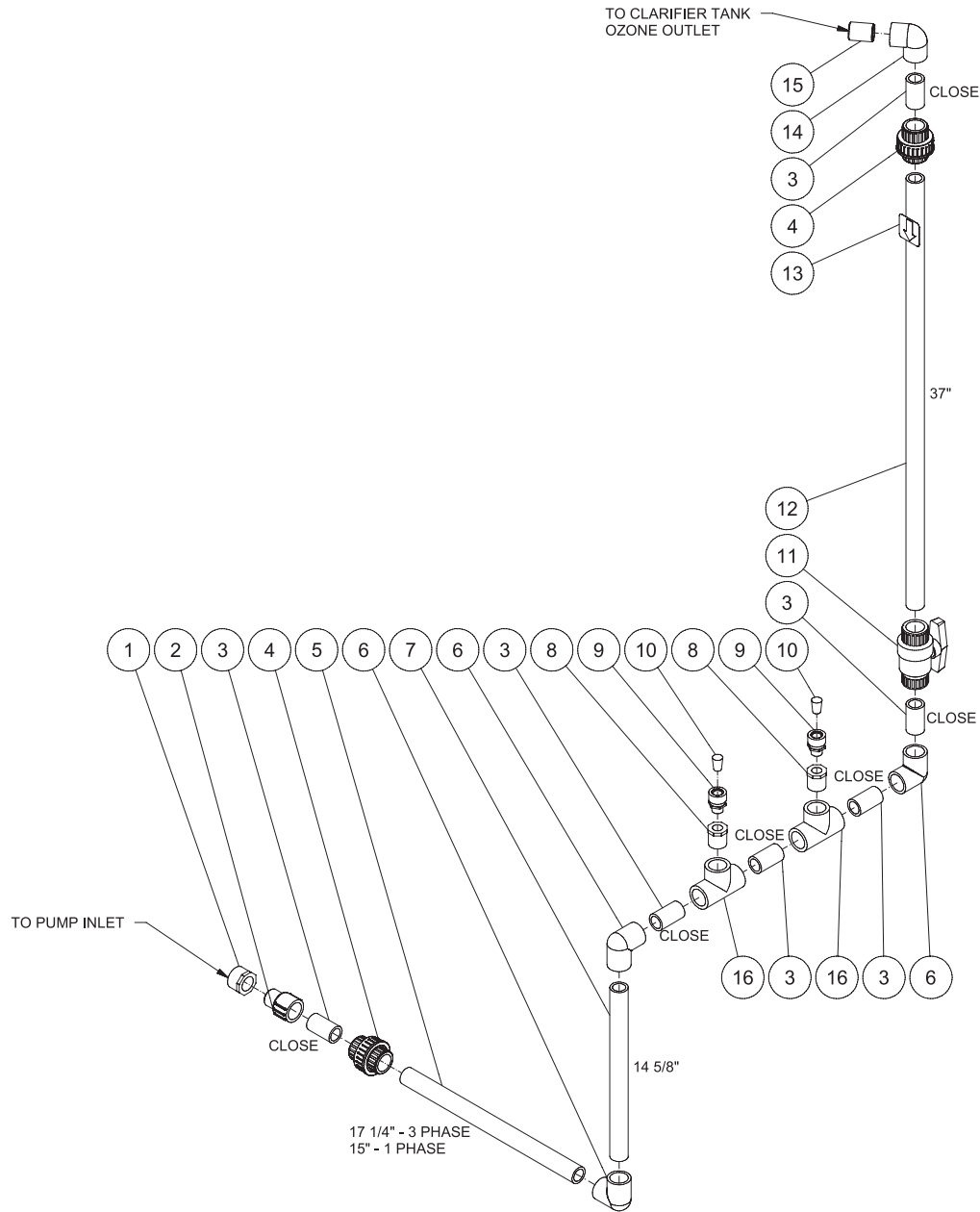
CONE ASSEMBLY - WCP-10-0M10 102813

CONE ASSEMBLY

REF. #	DESCRIPTION	PART#	QTY.		REF. #	DESCRIPTION	PART#	QTY.
1	SCREW	27-3064	4		10	TEE	55-1603	1
2	TEE	55-1801	1		11	ADAPTER- MALE	55-1622	2
3	PIPE *(2" X 1-3/4")	55-1800	13		12	UNION (INC. 25-0448)	55-1645	2
4	CONE	33-0334	1		13	PIPE *(1-1/2" X 11")	55-1600	1
5	LOWER COALESCING CONE- 300 GAL.	33-0333	9		14	CHECK VALVE	55-0853	1
6	PLUG	39-0120	32		15	ELBOW	23-0386	1
7	UPPER COALESCING CONE- 300 GAL.	33-0332	1		16	REDUCER BUSHING	55-1229	1
8	PIPE *(1-1/2" X 29-1/2")	55-1600	1		17	TEE	55-1601	1
9	PIPE *(1-1/2" X 2-3/4")	55-1600	3		18	PIPE *(1-1/2" X 15-1/4")	55-1600	1

\*MUST ORDER IN ONE FOOT LENGTHS

## PLUMBING: OZONE PUMP INLET ASSEMBLY

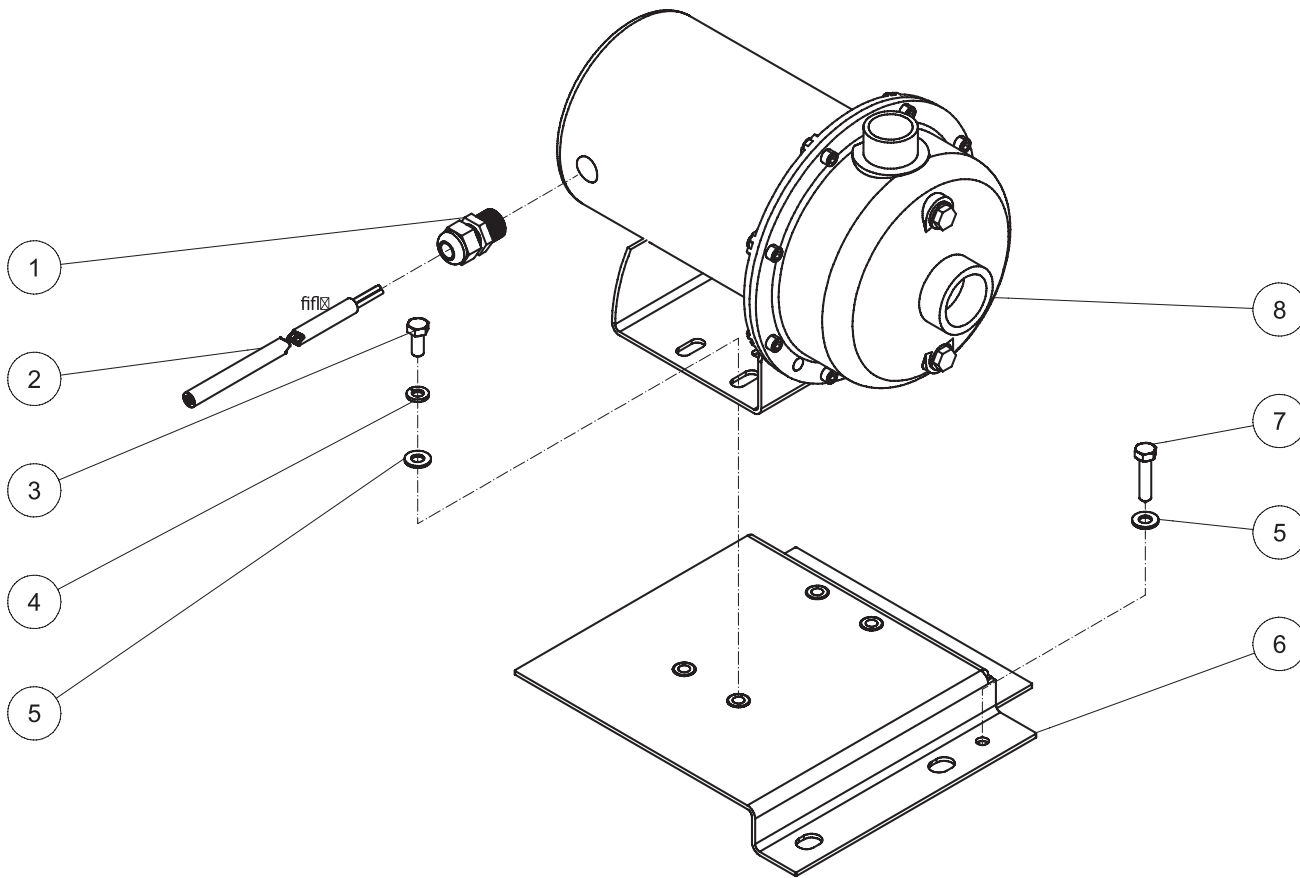


OZONE PUMP INLET PLUMBING WCP-10AB-0M10/30 110113 MLK			
PLUMBING: OZONE PUMP INLET ASSEMBLY			
ITEM	DESCRIPTION	PART #	QTY
1	REDUCER	55-1433	1
2	ADAPTER	55-1222	1
3	PIPE *(1" X 2 3/4")	55-1200	9
4	UNION	55-1245	2
5	PIPE *(1" X 17 1/4") (0M30)	55-1200	1
-	PIPE *(1" X 15") (0M10)	55-1200	1
6	ELBOW	55-1209	3
7	PIPE *(1" X 14 5/8")	55-1200	1
8	REDUCER	55-1229	2
9	STRAIN RELIEF	32-0550	2
10	PLUG	32-0559	2
11	BALL VALVE	55-1255	1
12	PIPE *(1" X 37")	55-1200	1
13	DECAL	34-0883	1
14	ELBOW	55-1210	1
15	NIPPLE	55-1274	1
16	TEE	55-1201	2
-	DECAL SET	71-0098	1

\*MUST ORDER IN ONE FOOT LENGTHS

OZONE PUMP INLET PLUMBING - WCP-10AB-0M10\_0M30 110113 MLK

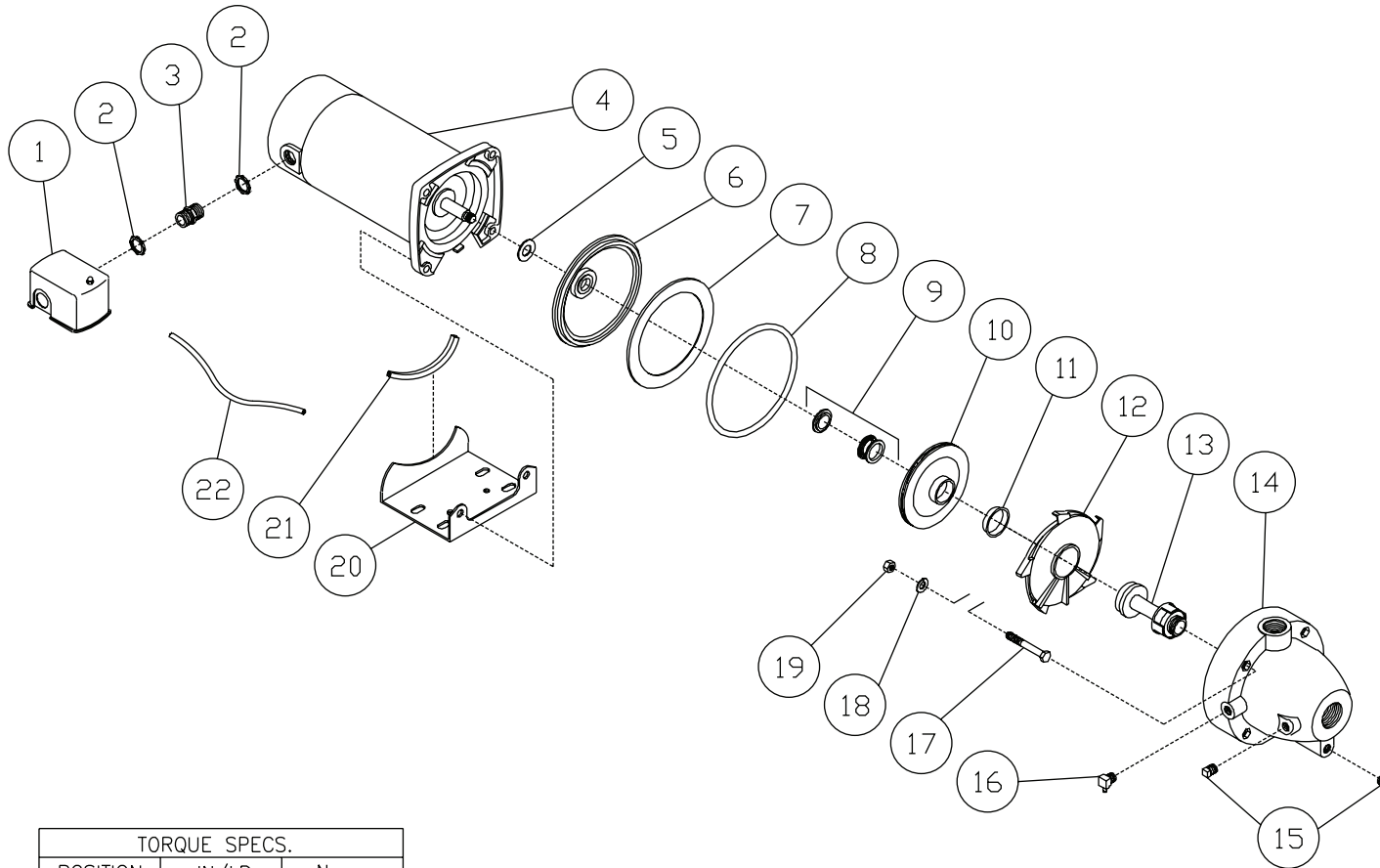
## OZONE PUMP ASSEMBLY



OZONE PUMP ASSEMBLY - WCP-10AB-0M30 103113 MLK

OZONE PUMP ASSY WCP-10AB-0M30 103113 MLK			
OZONE PUMP ASSEMBLY			
ITEM	DESCRIPTION	PART #	QTY
1	STRAIN RELIEF	32-0437	1
2	CORD *(THREE FEET REQUIRED)	32-0247	1
3	BOLT	27-5066	4
4	LOCKWASHER	29-1007	4
5	WASHER	28-0122	8
6	PUMP MOUNT PLATE	20-0522A01	1
7	BOLT	27-5276	4
8	PUMP-TRANSFER	3-0322	1
*MUST ORDER IN ONE FOOT LENGTHS			

# OZONE PUMP (3-0186) (SINGLE PHASE)

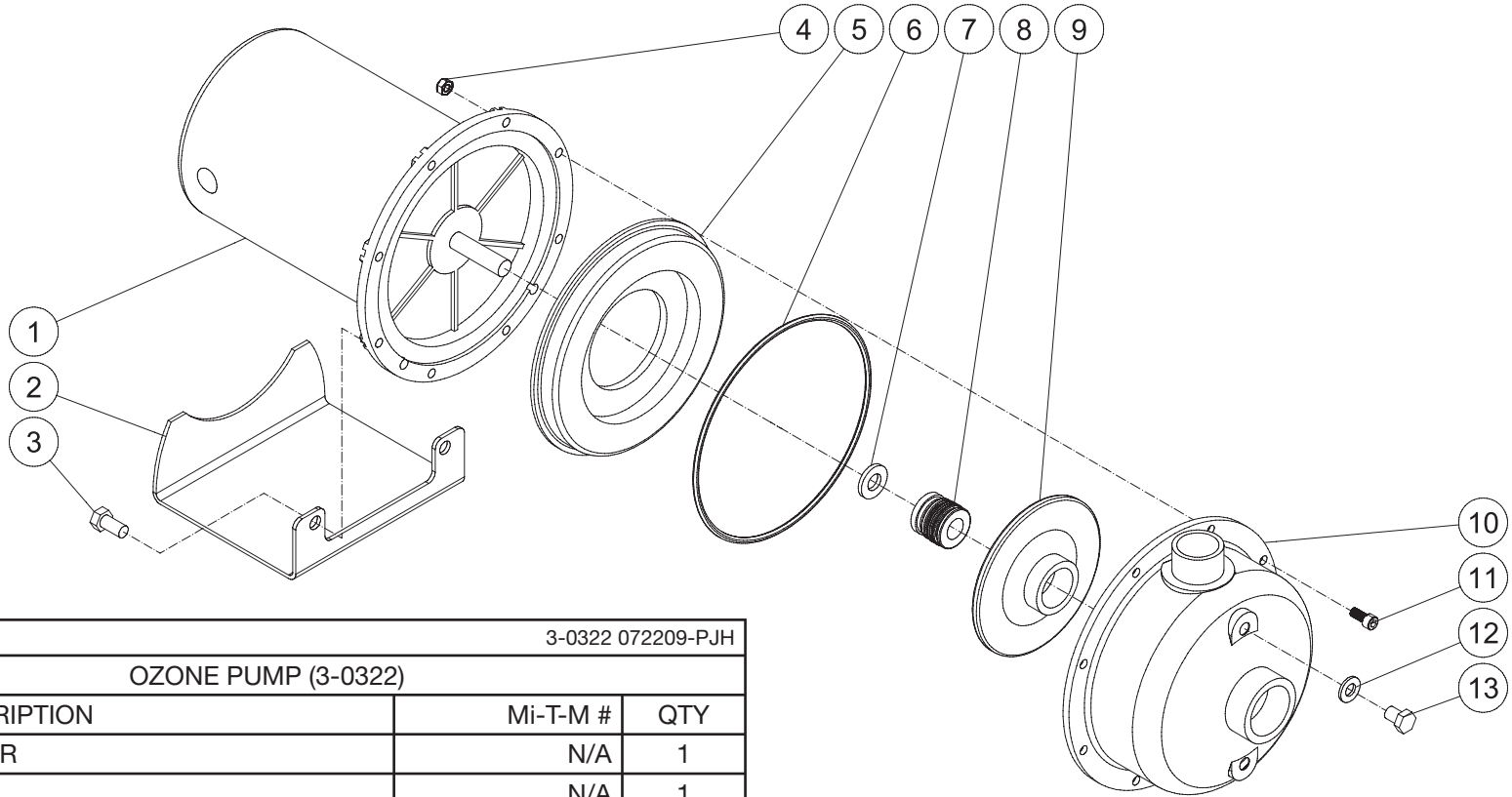


TORQUE SPECS.		
POSITION	IN/LB	N · m
19	150-160	16.9-18.0



OZONE PUMP (3-0186)							
REF. #	DESCRIPTION	PART#	QTY.	REF. #	DESCRIPTION	PART#	QTY.
1	Pressure Switch	22-0293	1	13	Venturi	46-0899	1
2	Locknut	32-0108	2	14	Case	46-0837	1
3	Fitting	54-0040	1	15	Plug	39-0109	2
4	Motor	N/A	1	16	Elbow	23-0381	1
5	Rubber Washer	N/A	1	17	Bolt	27-8937	4
6	Seal Plate	26-0214	1	18	Lock Washer	29-0008	4
7	Disk	46-0898	1	19	Nut	30-0006	4
8	O-ring (See 70-0257)	N/A Sep.	1	20	Base (Includes Ref. 21)	5-0144	1
9	Seal	26-0215	1	21	Rubber Protector	33-0320	1
10	Impeller (See 70-0257)	N/A Sep.	1	22	Hose	15-0210	1
11	Wear Ring	46-0835	1		Impeller Kit (Includes 8-12)	70-0313	1
12	Diffuser (See 70-0257)	N/A Sep.	1		Complete Ozone Pump	3-0186	

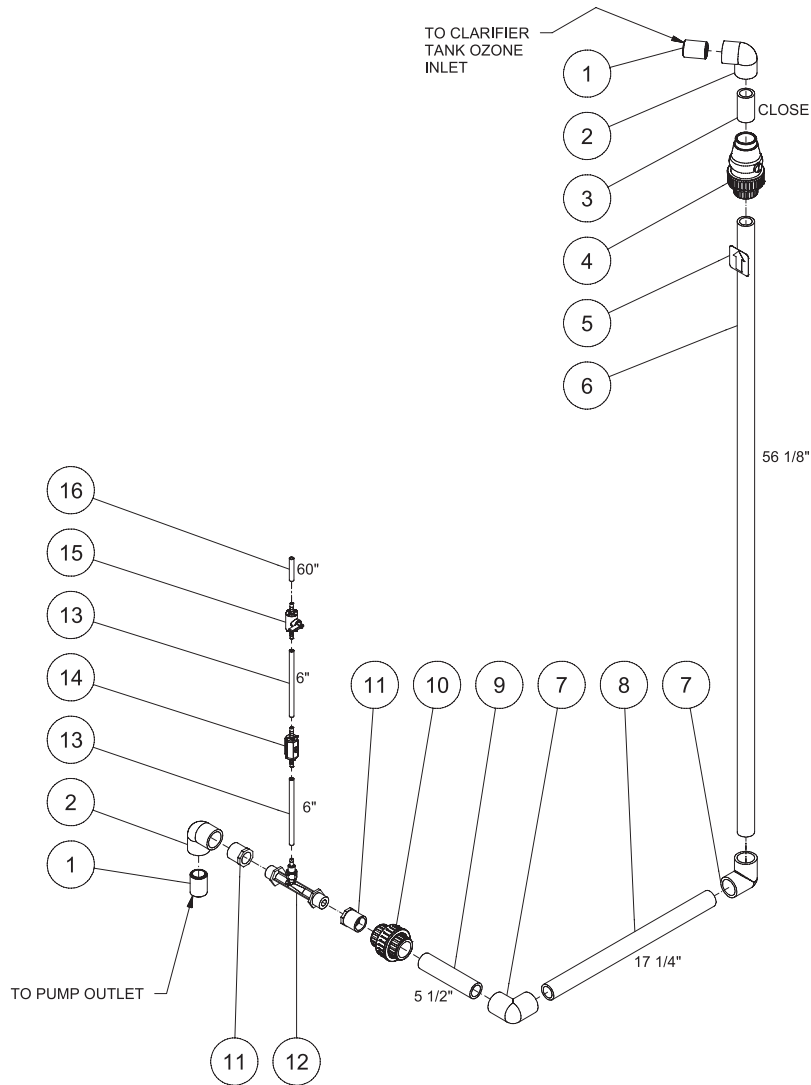
## OZONE PUMP (3-0322) (THREE PHASE)



3-0322 072209-PJH			
OZONE PUMP (3-0322)			
ITEM	DESCRIPTION	Mi-T-M #	QTY
1	MOTOR	N/A	1
2	BASE	N/A	1
3	BOLT	27-0116	2
4	NUT	30-0057	8
5	SEAL PLATE	N/A	1
6	O-RING	25-0621	1
7	WATER SLINGER	46-1386	1
8	SHAFT SEAL	26-0354	1
9	IMPELLER	N/A	1
10	CASING/DIFFUSER ASSEMBLY	N/A	1
11	BOLT	27-8401	8
12	WASHER	N/A	2
13	PLUG	N/A	2

3-0322 072209-PJH

## PLUMBING: OZONE PUMP OUTLET ASSEMBLY

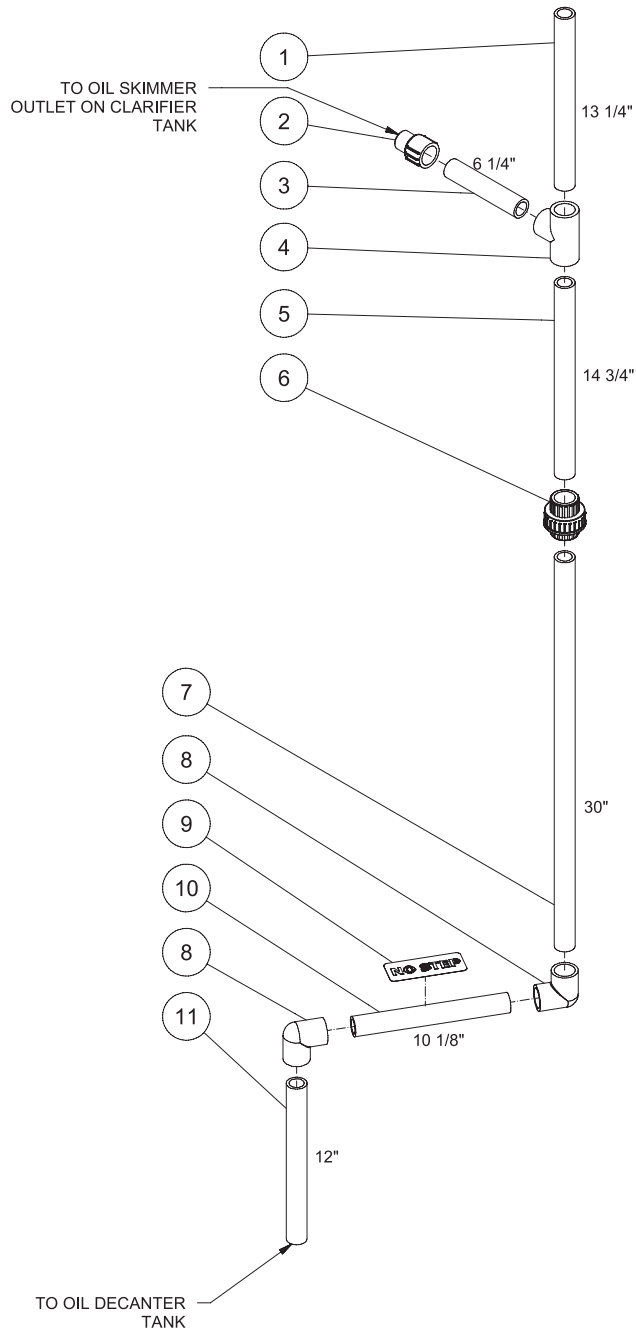


OZONE PUMP OUTLET ASSY WCP-10AB-0M10/30 120313 MLK			
PLUMBING: OZONE PUMP OUTLET ASSEMBLY			
ITEM	DESCRIPTION	PART #	QTY
1	NIPPLE	55-1274	2
2	ELBOW	55-1210	2
3	PIPE *(1" X 2 3/4")	55-1200	1
4	CHECK VALVE	55-1252	1
5	DECAL	N/A	1
6	PIPE *(1" X 56 1/8")	55-1200	1
7	ELBOW	55-1209	2
8	PIPE *(1" X 17 1/4")	55-1200	1
9	PIPE *(1" X 5 1/2")	55-1200	1
10	UNION	55-1245	1
11	REDUCER	55-1228	2
12	SMALL MAZZEI	55-0059	1
13	HOSE	15-0226	2
14	CHECK VALVE	22-0286	1
15	VALVE	22-0074	1
16	HOSE	15-0226	1
-	DECAL SET	71-0098	1

\*MUST ORDER IN ONE FOOT LENGTHS

OZONE PUMP OUTLET ASSEMBLY - WCP-10AB-0M10\_0M30 120313 MLK

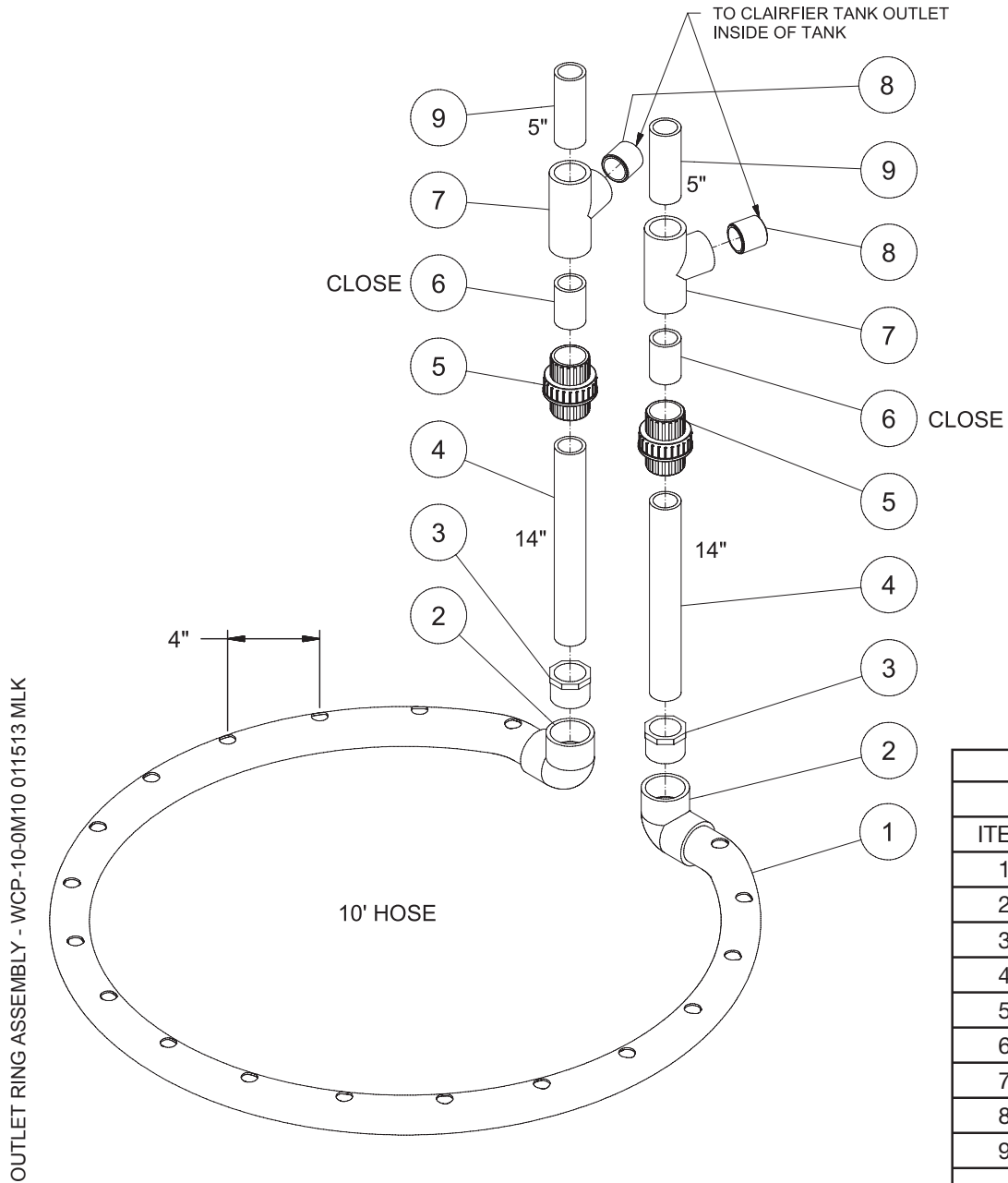
## PLUMBING: OIL DECANTER ASSEMBLY



OIL DECANTER PLUMBING ASSY WCP-10AB-0M10_0M30 110413 MLK			
PLUMBING: OIL DECANTER ASSEMBLY			
ITEM	DESCRIPTION	PART #	QTY
1	PIPE *(1" X 13.1/4")	55-1200	1
2	ADAPTER	55-1222	1
3	PIPE *(1" X 6 1/4")	55-1200	1
4	TEE	55-1201	1
5	PIPE *(1" X 14 3/4")	55-1200	1
6	UNION	55-1245	1
7	PIPE *(1" X 30")	55-1200	1
8	ELBOW	55-1209	2
9	DECAL - NO STEP	N/A	1
10	PIPE *(1" X 10 1/8")	55-1200	1
11	PIPE *(1" X 12")	55-1200	1
-	DECAL SET	71-0098	1
*MUST ORDER IN ONE FOOT LENGTHS			

OIL DECANTER PLUMBING ASSEMBLY - WCP-10AB-0M10\_0M30 110413 MLK

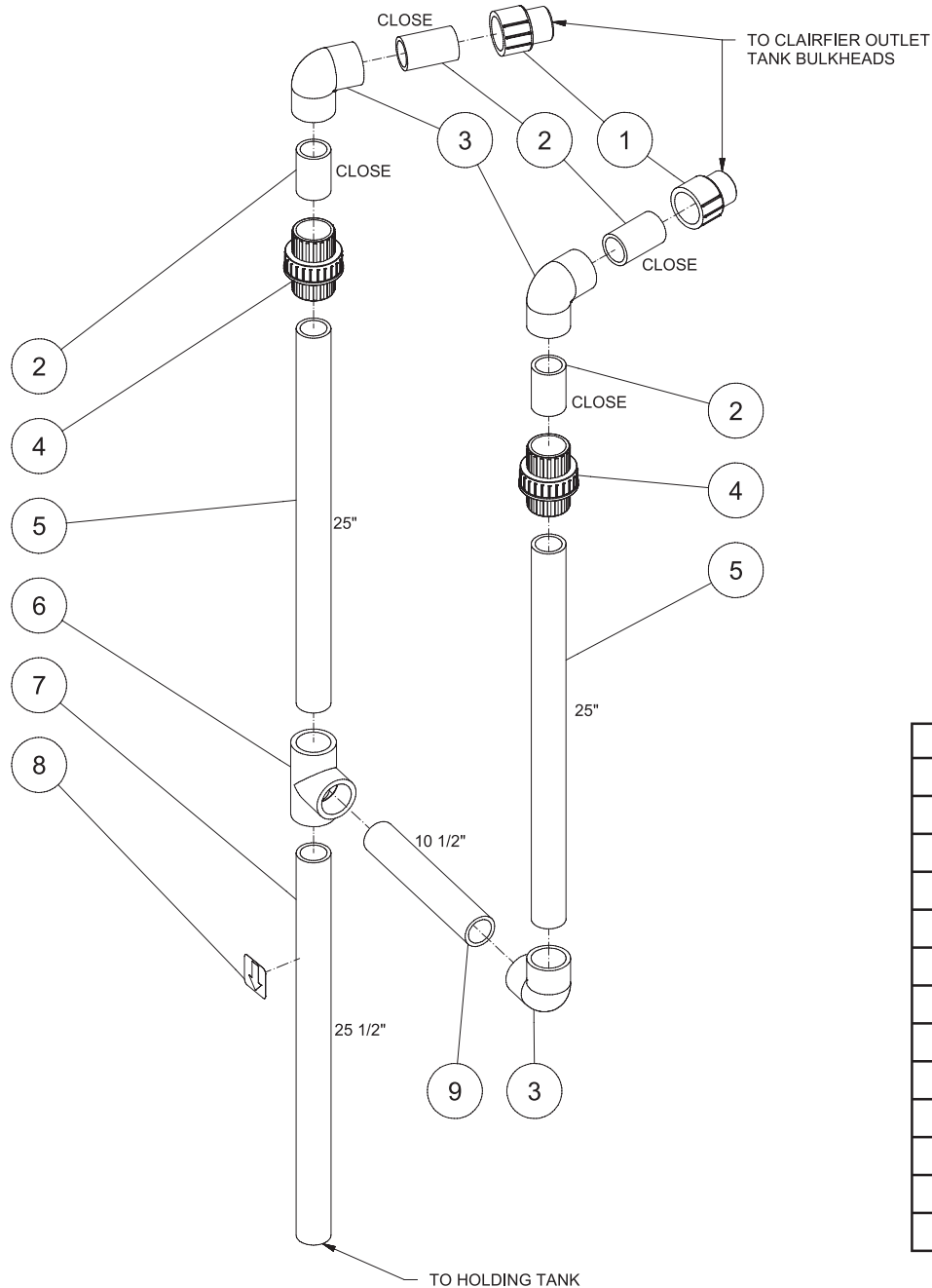
## OUTLET RING ASSEMBLY



OUTLET RING ASSEMBLY WCP-10-0M10 011513 MLK			
OUTLET RING ASSEMBLY			
ITEM	DESCRIPTION	PART #	QTY
1	FLEX PIPE	55-1888	1
2	ELBOW	55-1809	2
3	REDUCER BUSHING	55-1823	2
4	PIPE *(1 1/2" X 14")	55-1600	2
5	UNION	55-1645	2
6	PIPE *(1 1/2" X 2 3/4")	55-1600	2
7	TEE	55-1607	2
8	NIPPLE	55-1674	2
9	PIPE *(1 1/2" X 5")	55-1600	2
*MUST ORDER IN ONE FOOT LENGTHS			

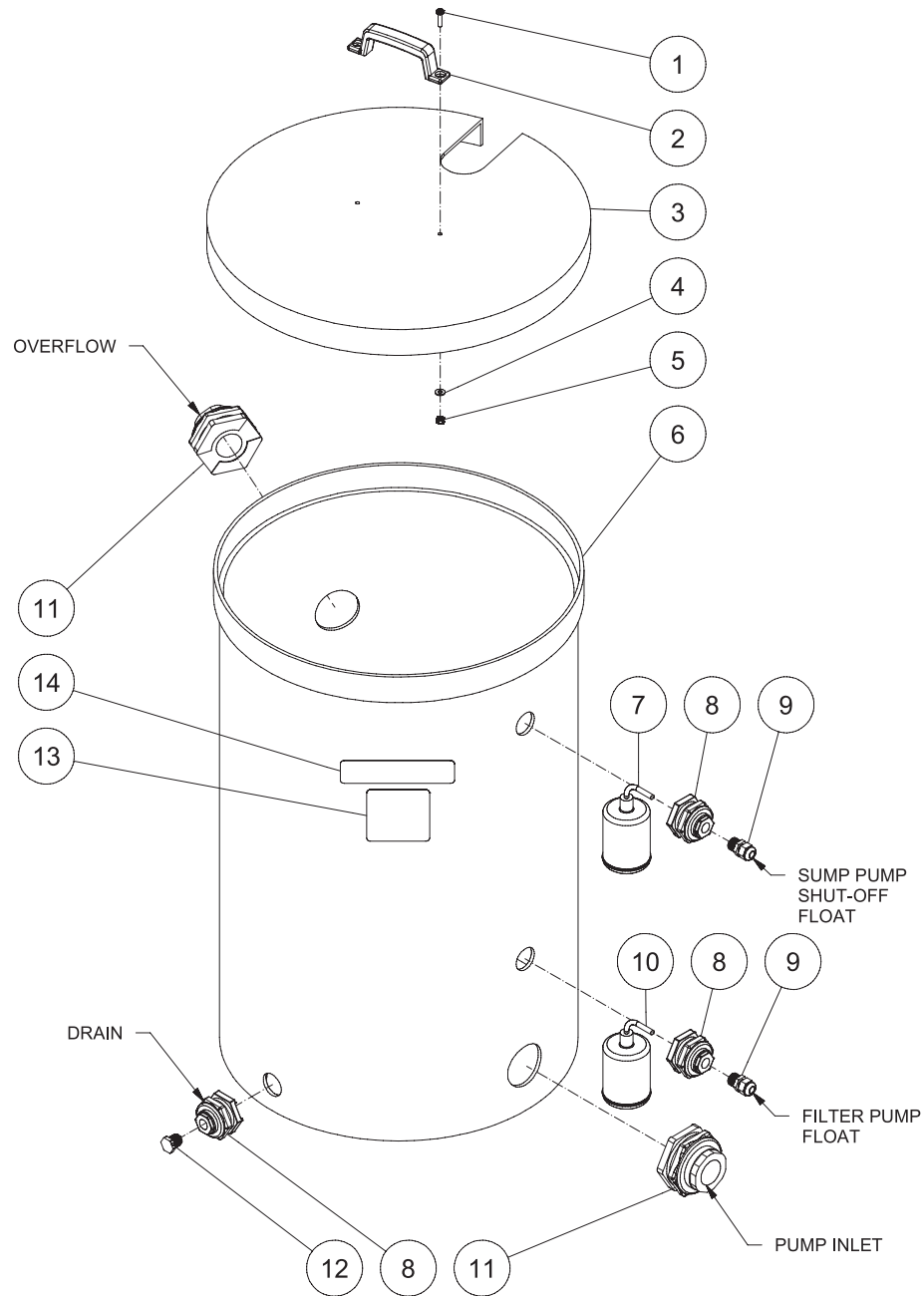
## PLUMBING: CLARIFIER TANK OUTLET ASSEMBLY

CLARIFIER TANK OUTLET ASSEMBLY - WCP-10AB-0M10\_0M30 102513 MLK



CLARIFIER TANK OUTLET ASSEMBLY WCP-10AB-0M10_0M30 102513 MLK			
CLARIFIER TANK OUTLET ASSEMBLY			
ITEM	DESCRIPTION	PART #	QTY
1	ADAPTER	55-1622	2
2	PIPE *(1 1/2" X 2 3/4")	55-1600	1
3	ELBOW	55-1609	3
4	UNION	55-1645	2
5	PIPE *(1 1/2" X 25")	55-1600	1
6	TEE	55-1601	1
7	PIPE *(1 1/2" X 25 1/2")	55-1600	1
8	DECAL	N/A	1
9	PIPE *(1 1/2" X 10 1/2")	55-1600	1
-	DECAL SET	71-0098	1
*MUST ORDER IN ONE FOOT LENGTHS			

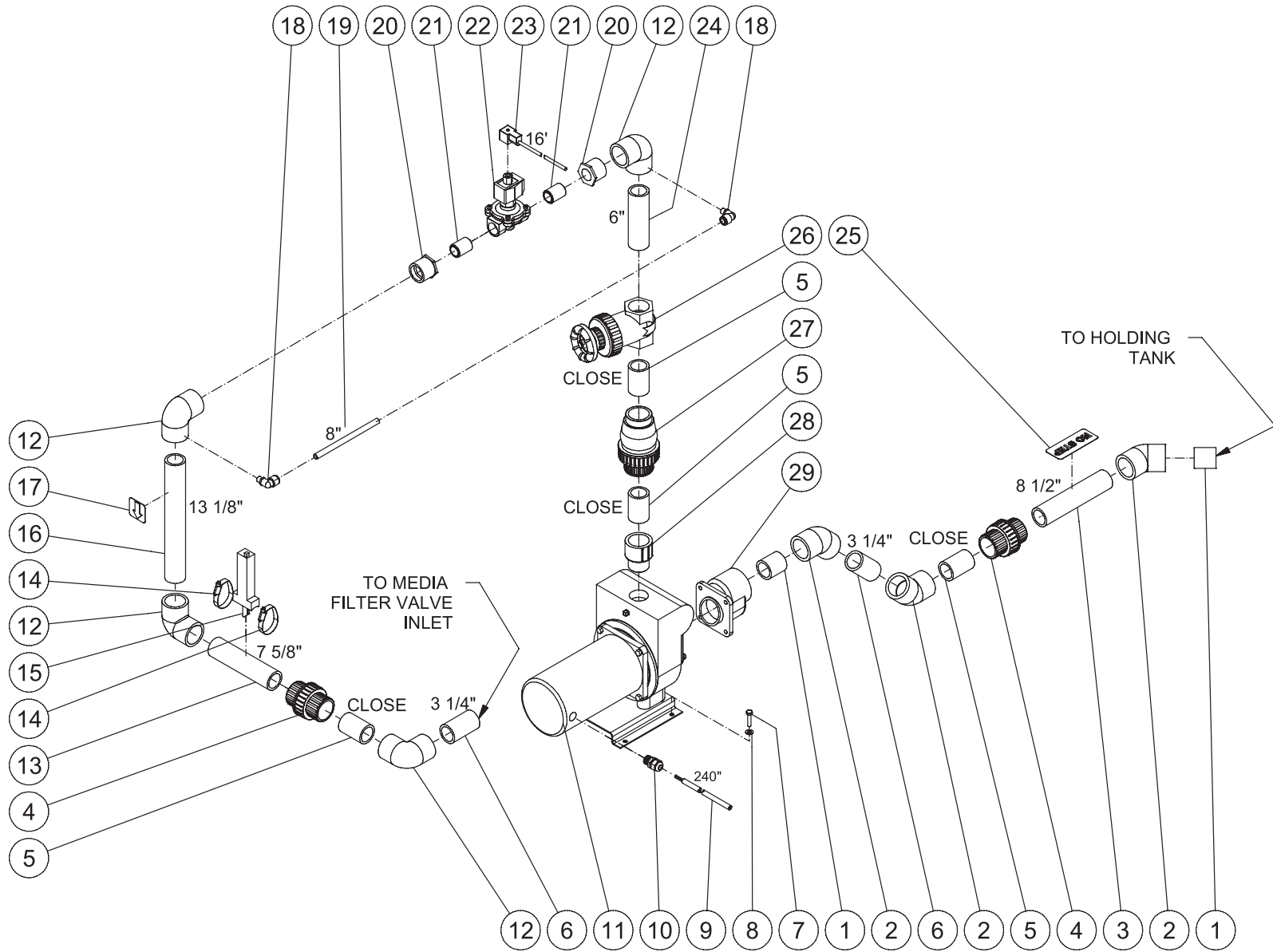
# HOLDING TANK ASSEMBLY



HOLDING TANK ASSEMBLY - WCP-10-0M10 110713 MLK

HOLDING TANK ASSEMBLY WCP-10-0M10 110713 MLK			
HOLDING TANK ASSEMBLY			
ITEM	DESCRIPTION	PART #	QTY
1	BOLT	27-5018	2
2	HANDLE	7-0164	1
3	HOLDING TANK LID	12-0128	1
4	WASHER	28-0121	2
5	LOCKNUT	30-5155	2
6	VERTICAL TANK 55 G - NO COVER	12-0127	1
7	FLOAT	32-0664	1
8	BULKHEAD (INC. 25-0506 GASKET)	55-0886	3
9	STRAIN RELIEF	32-0437	2
10	FLOAT	32-0663	1
11	BULKHEAD (INC. 25-0481 GASKET)	55-1686	2
12	PLUG	55-0840	1
13	DECAL - NONPOTABLE WATER (SEE 71-0098)	N/A	1
14	DECAL - HOLDING TANK (SEE 71-0098)	N/A	1
-	DEACAL SET	71-0098	1

# FILTER PUMP ASSEMBLY



FILTER PUMP ASSEMBLY - WCP-10AB-0M10\_0M30 120913 MLK



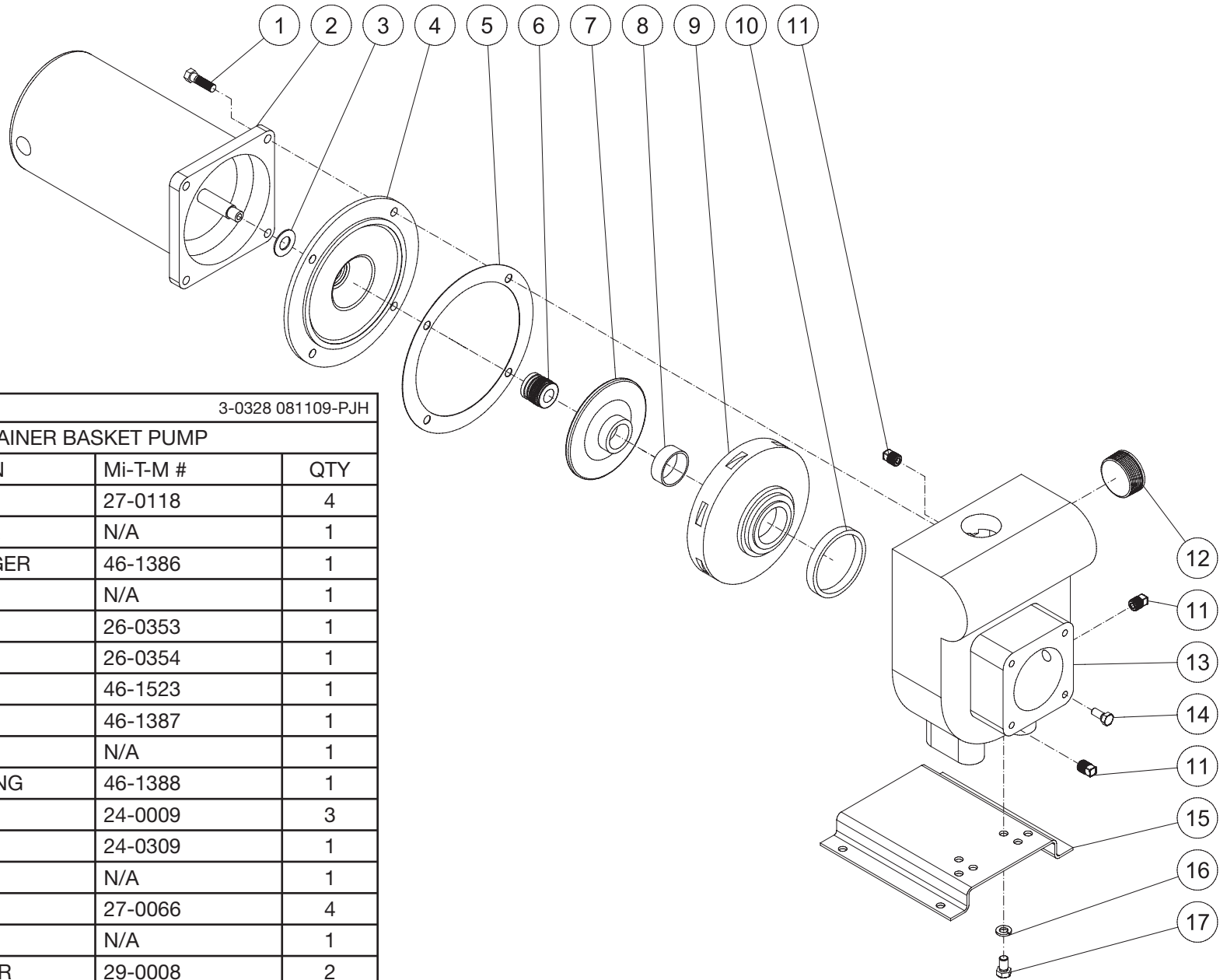
FILTER PUMP ASSY WCP-10AB-0M10/30 120913 MLK

FILTER PUMP ASSEMBLY

ITEM	DESCRIPTION	Mi-T-M #	QTY
1	TOE NIPPLE	55-1679	2
2	ELBOW	55-1612	3
3	PIPE *(1 1/2" X 8 1/2")	55-1600	1
4	UNION	55-1645	2
5	PIPE *(1 1/2 X 2 3/4")	55-1600	4
6	PIPE *(1 1/2" X 3 1/4")	55-1600	2
7	BOLT	27-5276	4
8	WASHER	28-0122	4
9	CORD *(TWENTY FEET REQUIRED) (0M30)	32-0247	1
-	CORD *(TWENTY FEET REQUIRED) (0M10)	32-0074	1
10	STRAIN RELIEF	32-0437	1
11	PUMP 3 PHASE (0M30)	3-0317	1
-	PUMP 1 PHASE (0M10)	3-0328	1
12	ELBOW	55-1609	4
13	PIPE *(1 1/2" X 7 5/8") CLEAR	55-1685	1
14	HOSE CLAMP	N/A	2
15	FLOW METER	55-0016	1
16	PIPE *(1 1/2" X 13 1/8")	55-1600	1
17	DECAL	N/A	1
18	ELBOW	55-0108	2
19	TUBING *(8" REQUIRED)	15-0252	1
20	REDUCER	55-1629	2
21	NIPPLE	55-1274	2
22	SOLENOID	22-0441	1
23	CORDSET	32-0786	1
24	PIPE *(1 1/2 X 6")	55-1600	1
25	DECAL - NO STEP	N/A	1
26	GATE VALVE	55-1671	1
27	CHECK VALVE	55-1652	1
28	ADAPTER	55-1622	1
29	FLANGE	33-0490	1
-	DECAL SET	71-0098	1

\*MUST ORDER IN ONE FOOT LENGTHS

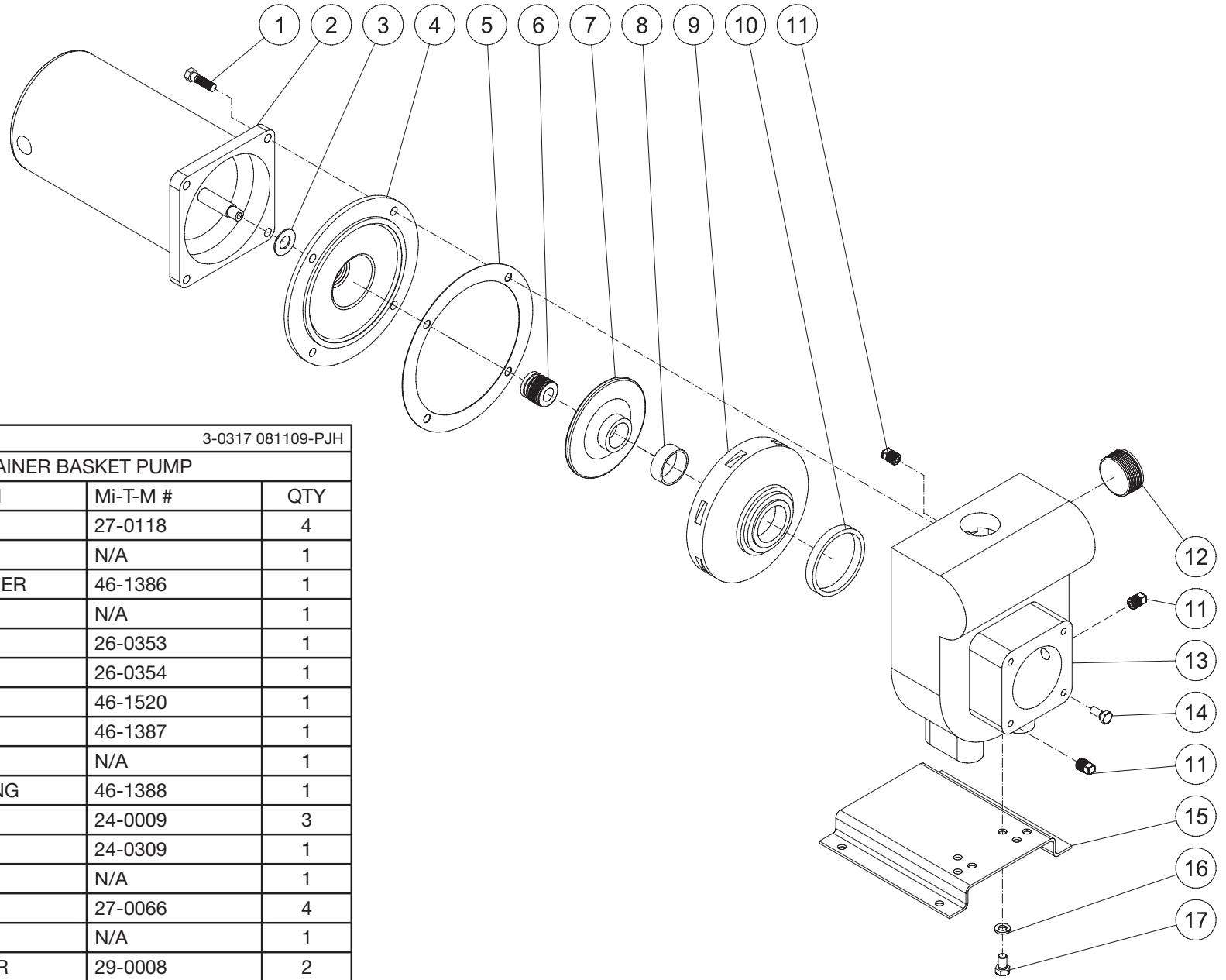
## FILTER PUMP (3-0328) (SINGLE PHASE)



3-0328 081109-PJH			
STRAINER BASKET PUMP			
ITEM	DESCRIPTION	Mi-T-M #	QTY
1	BOLT	27-0118	4
2	PUMP/FILTER	N/A	1
3	WATER SLINGER	46-1386	1
4	SEAL PLATE	N/A	1
5	GASKET	26-0353	1
6	SHAFT SEAL	26-0354	1
7	IMPELLER	46-1523	1
8	WEAR RING	46-1387	1
9	DIFFUSER	N/A	1
10	DIFFUSER RING	46-1388	1
11	PLUG	24-0009	3
12	PLUG	24-0309	1
13	PUMP BODY	N/A	1
14	BOLT	27-0066	4
15	BASE	N/A	1
16	LOCKWASHER	29-0008	2
17	BOLT	N/A	2

3-0328 081109 PJH

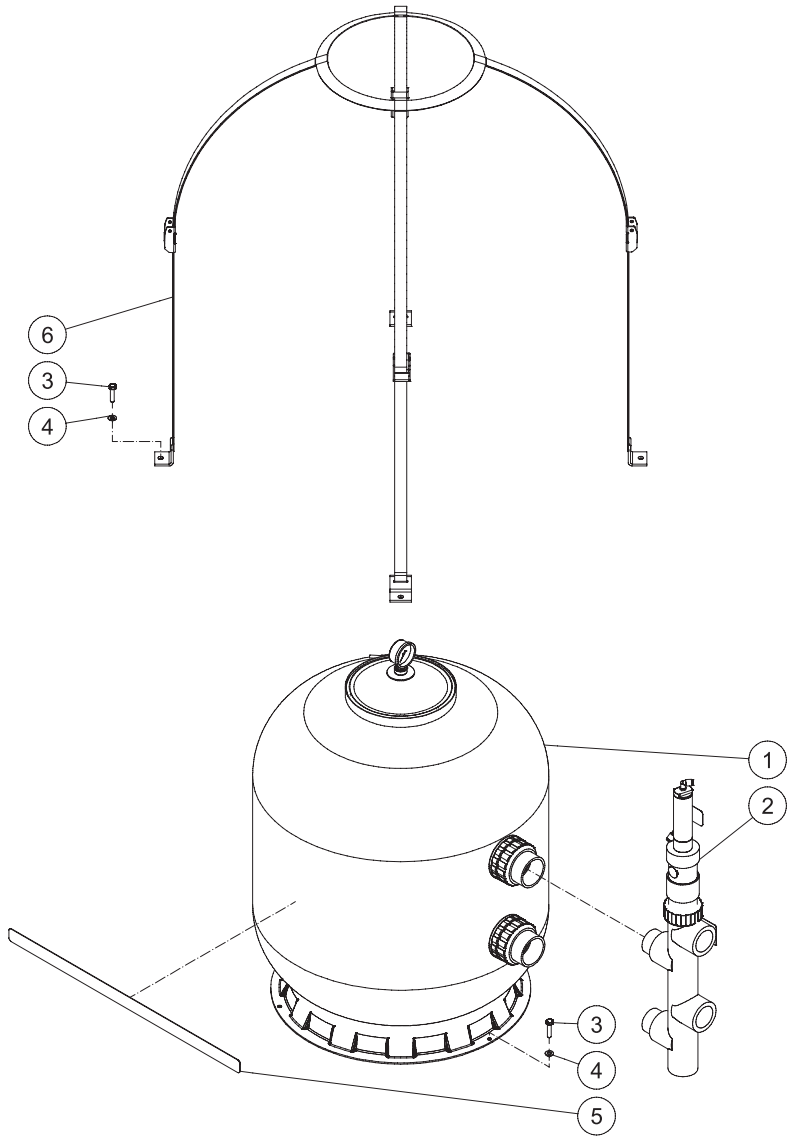
## FILTER PUMP (3-0317) (THREE PHASE)



3-0317 081109-PJH			
STRAINER BASKET PUMP			
ITEM	DESCRIPTION	Mi-T-M #	QTY
1	BOLT	27-0118	4
2	PUMP/FILTER	N/A	1
3	WATER SLINGER	46-1386	1
4	SEAL PLATE	N/A	1
5	GASKET	26-0353	1
6	SHAFT SEAL	26-0354	1
7	IMPELLER	46-1520	1
8	WEAR RING	46-1387	1
9	DIFFUSER	N/A	1
10	DIFFUSER RING	46-1388	1
11	PLUG	24-0009	3
12	PLUG	24-0309	1
13	PUMP BODY	N/A	1
14	BOLT	27-0066	4
15	BASE	N/A	1
16	LOCKWASHER	29-0008	2
17	BOLT	N/A	2

3-0317 081109 PJH

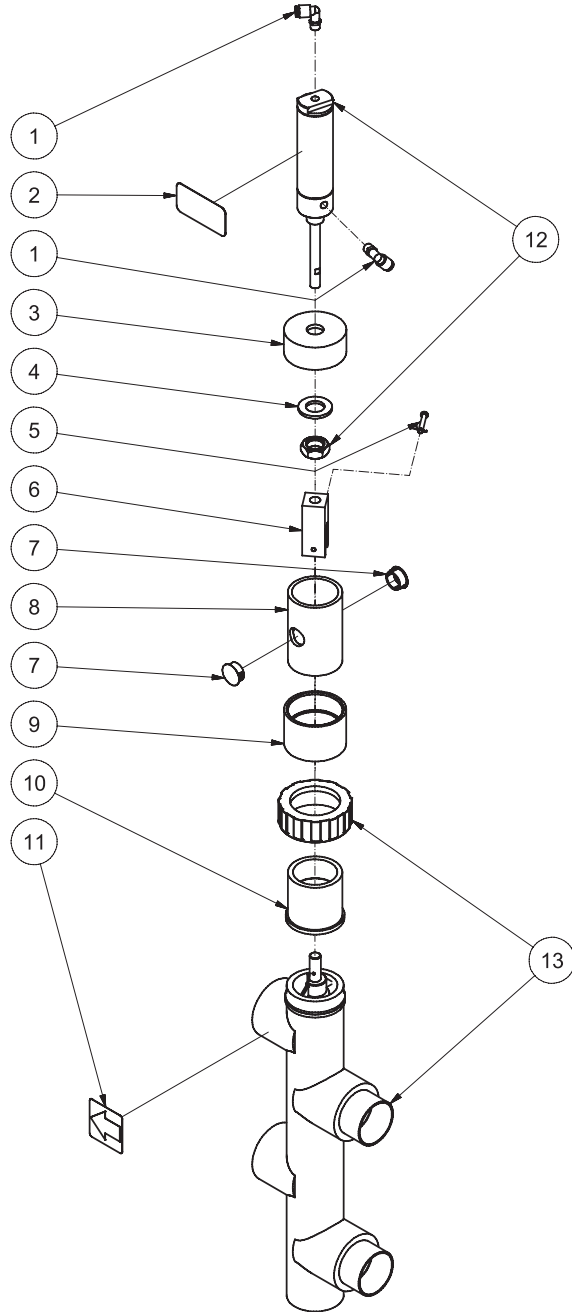
## MULTI-MEDIA FILTER ASSEMBLY



MEDIA FILTER ASSEMBLY WCP-10AB-0M10/0M30 MLK			
MEDIA FILTER ASSEMBLY			
ITEM	DESCRIPTION	PART #	QTY
1	MEDIA FILTER	19-0560	1
2	DECAL - MULTI MEDIA FILTER (SEE 71-0098)	N/A	1
3	BOLT	27-5276	3
4	WASHER	28-0122	3
5	HOSE	15-0240	2
6	VALVE ASSEMBLY	N/A	1
-	STRAP ASSEMBLY (NOT SHOWN)	33-0315	1
-	GRAVEL (100 LB BAG NOT SHOWN)	33-0303	
-	GARNET #12 (100 LB BAG NOT SHOWN)	33-0304	
-	GARNET #80 (50 LB BAG NOT SHOWN)	33-0403	
-	FILTER AG (50 LB BAG NOT SHOWN)	33-0306	

MEDIA FILTER ASSEMBLY - WCP-10AB-0M10\_0M30 111913 MLK

# SLIDE VALVE ASSEMBLY

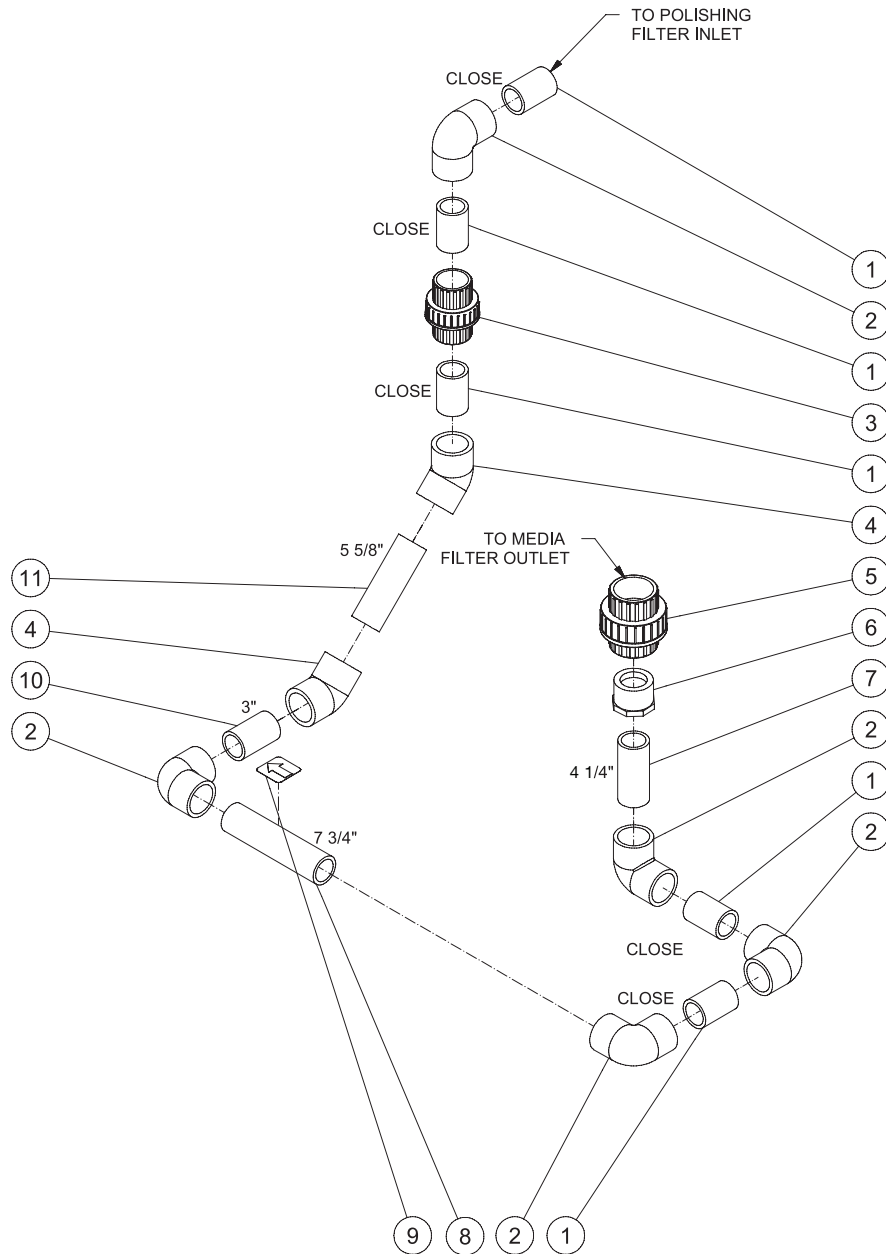


SLIDE VALVE ASSEMBLY WLP-40AB-0M11/0M31 111213 MLK			
SLIDE VALVE ASSEMBLY			
ITEM	DESCRIPTION	PART #	QTY
1	ELBOW	55-0104	2
2	DECAL - WARNING: MOVING PARTS (SEE 71-0098)	N/A	1
3	CAP	55-1889	1
4	WASHER	28-1048	1
5	CLEVIS PIN	43-0116	1
6	CYLINDER CLEVIS	56-0055	1
7	PLUG	39-0014	2
8	PIPE *(2" X 3 5/8")	55-1805	1
9	COUPLER	55-1815	1
10	BULKHEAD ADAPTER	55-0121	1
11	DECAL - BACKWASH ARROW (SEE 71-0098)	N/A	1
12	AIR CYLINDER	22-0387	1
13	SLIDE VALVE	55-0101	1

\*MUST ORDER IN ONE FOOT LENGTHS

SLIDE VALVE ASSEMBLY - WLP-40AB-0M11\_0M31 111213 MLK

## PLUMBING: MEDIA FILTER TO POLISHING FILTER

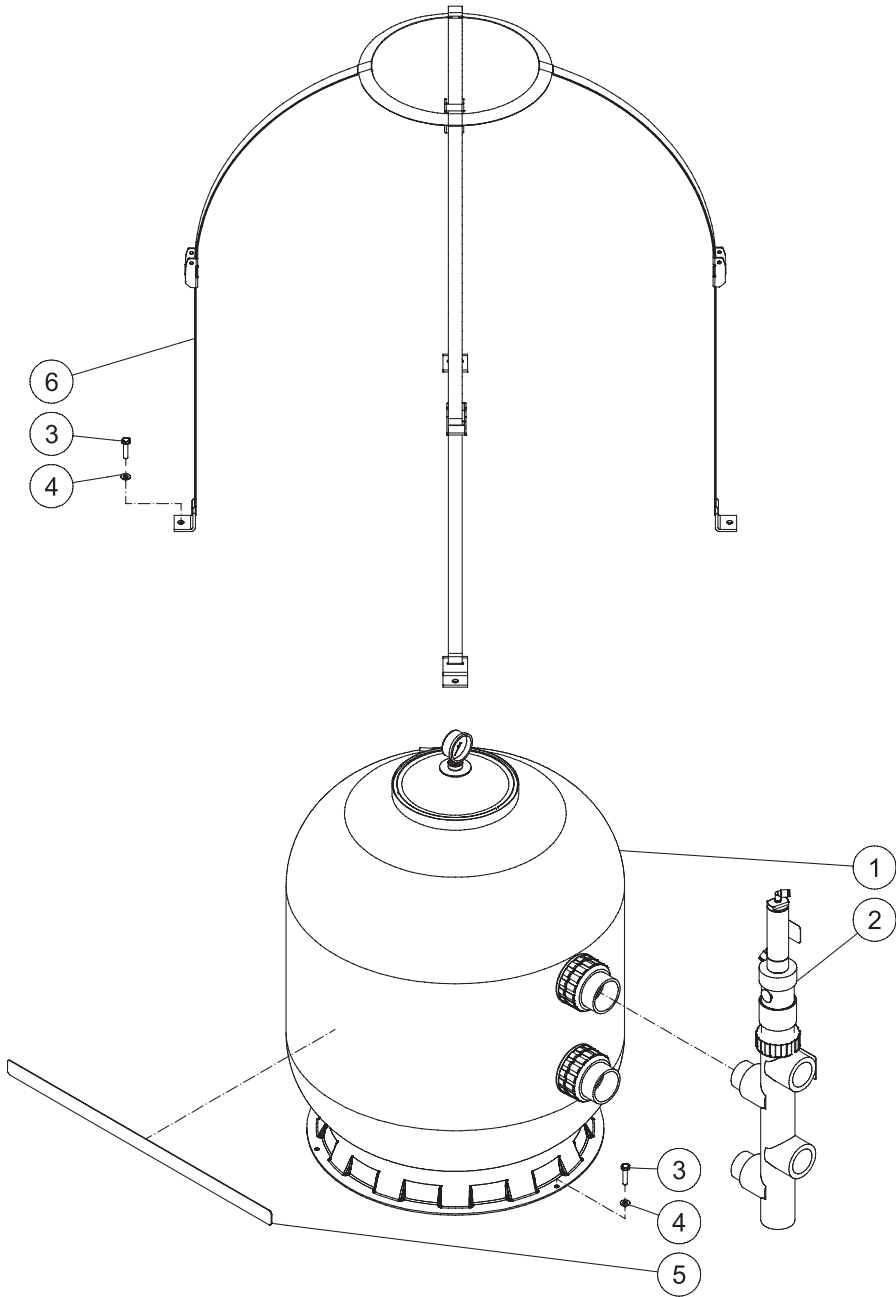


MEDIA FILTER TO POLISHING FILTER ASSY WCP-10AB-0M10_0M30			
PLUMBING: MEDIA FILTER TO POLISHING FILTER			
ITEM	DESCRIPTION	Mi-T-M #	QTY
1	PIPE *(1 1/2" X 2 3/4")	55-1600	6
2	ELBOW	55-1609	5
3	UNION	55-1645	1
4	ELBOW	55-1612	2
5	UNION	55-1845	1
6	REDUCER BUSHING	55-1823	1
7	PIPE *(1 1/2" X 4 1/4")	55-1685	1
8	PIPE *(1 1/2" X 7 3/4")	55-1600	1
9	DECAL	N/A	1
10	PIPE *(1 1/2" X 3")	55-1600	1
11	PIPE *(1 1/2" X 5 5/8")	55-1600	1
-	DECAL SET	71-0098	1

\*MUST ORDER IN ONE FOOT LENGTHS

MEDIA TO POLISHING FILTER ASSEMBLY - WCP-10AB-0M10\_0M30 110413 MLK

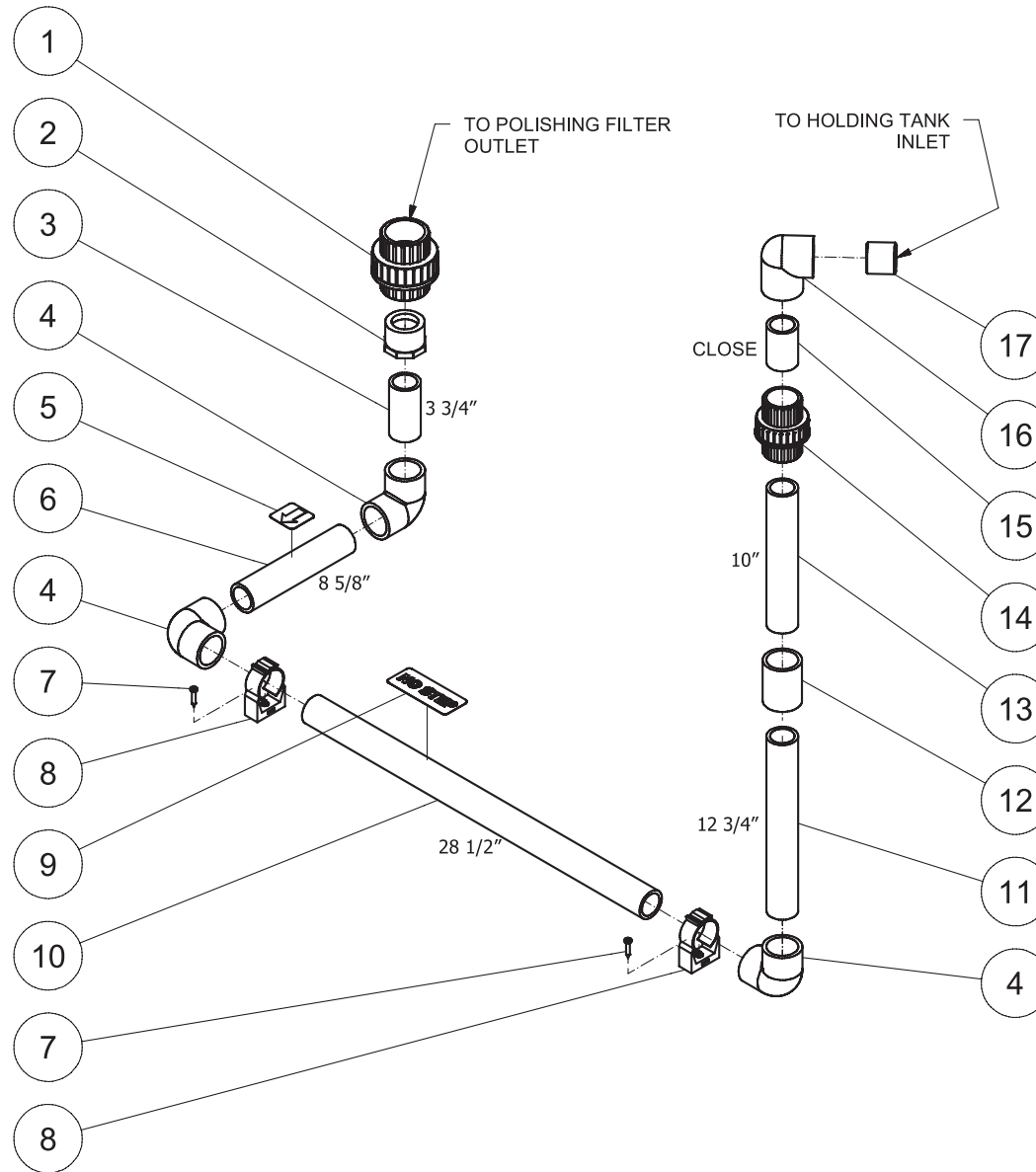
## POLISHING FILTER ASSEMBLY



POLISHING FILTER ASSEMBLY - WLP-20AB-0M11\_0M31\_111513

POLISHING FILTER ASSEMBLY WLP-20AB-0M11_0M31 111513-MLK			
POLISHING FILTER ASSEMBLY			
ITEM	DESCRIPTION	Mi-T-M #	QTY
1	FILTER	19-0560	1
2	SLIDE VALVE ASSEMBLY	N/A	1
3	BOLT	27-5276	7
4	WASHER	28-0122	7
5	DECAL - POLISHING FILTER (SEE 34-9010)	34-0875	1
6	STRAP	33-0315	1
-	ACTIVATED CARBON (2 BAGS)	33-0302	110

## PLUMBING: POLISHING FILTER TO PRODUCT TANK

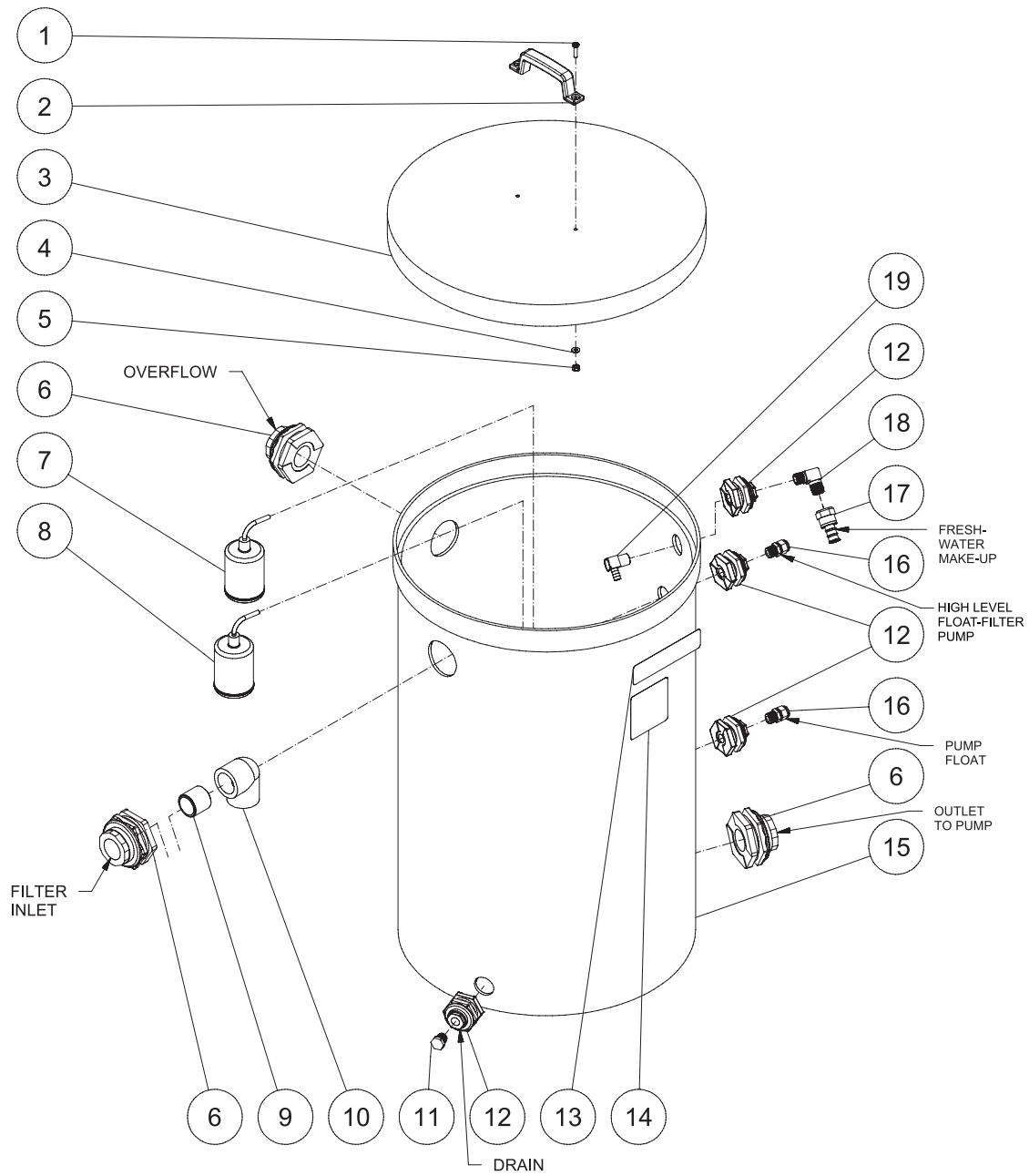


POLISHING FILTER TO PRODUCT TANK - WCP-10AB-0M10\_0M30 110813 MLK



POLISHING FILTER TO PROTECT TANK WCP-10AB-0M10_0M30 110813 MLK			
PLUMBING: POLISHING FILTER TO PRODUCT TANK			
ITEM	DESCRIPTION	PART #	QTY
1	UNION	55-1845	1
2	REDUCER BUSHING	55-1823	1
3	PIPE (1 1/2" X 3 3/4")	55-1685	1
4	ELBOW	55-1609	3
5	DECAL	N/A	1
6	PIPE *(1 1/2" X 8 5/8")	55-1600	1
7	SCREW	27-5278	2
8	CLAMP	42-0026	2
9	DECAL - NO STEP	N/A	1
10	PIPE *(1 1/2" X 28 1/2")	55-1600	1
11	PIPE *(1 1/2" X 12 3/4")	55-1600	1
12	COUPLER	55-1614	1
13	PIPE *(1 1/2" X 10")	55-1685	1
14	UNION	55-1645	1
15	PIPE *(1 1/2" X 2 3/4")	55-1600	1
16	ELBOW	55-1610	1
17	NIPPLE	55-1674	1
-	DECAL SET	71-0098	1
*MUST ORDER IN ONE FOOT LENGTHS			

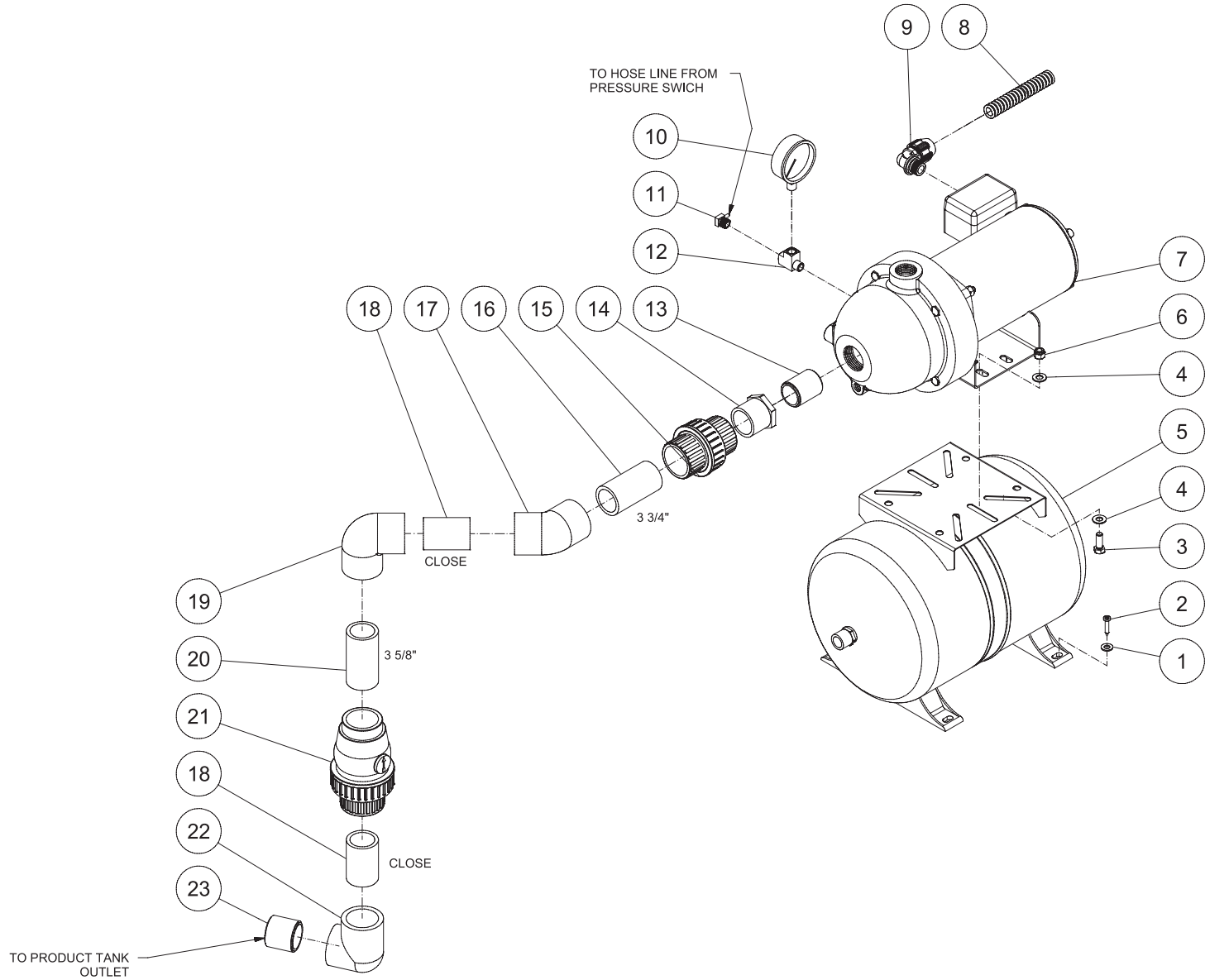
# PRODUCT TANK ASSEMBLY



PRODUCT TANK ASSEMBLY - WCP-10AB-0M10\_0M30 120513 MLK

PRODUCT TANK ASSEMBLY WCP-10AB-0010_0M30 120513 MLK			
PRODUCT TANK ASSEMBLY			
ITEM	DESCRIPTION	PART #	QTY
1	BOLT	27-5018	2
2	HANDLE	7-0164	1
3	PRODUCT TANK LID	12-0128	1
4	WASHER	28-0121	2
5	LOCKNUT	30-5155	2
6	BULKHEAD (INC. 25-0481 GASKET)	55-1686	3
7	FLOAT	32-0664	1
8	FLOAT	32-0663	1
9	NIPPLE	55-1674	1
10	ELBOW	55-1610	1
11	PLUG	55-0840	1
12	BULKHEAD (INC. 25-0506 GASKET)	55-0886	4
13	DECAL - PRODUCT TANK (SEE 71-0098)	N/A	1
14	DECAL - NONPOTABLE WATER (SEE 71-0098)	N/A	1
15	PRODUCT TANK	12-0127	1
16	STRAIN RELIEF	32-0437	2
17	HOSE BARB	23-0358	1
18	ELBOW	23-0363	1
19	ELBOW	23-0053	1
-	DECAL SET	71-0098	1

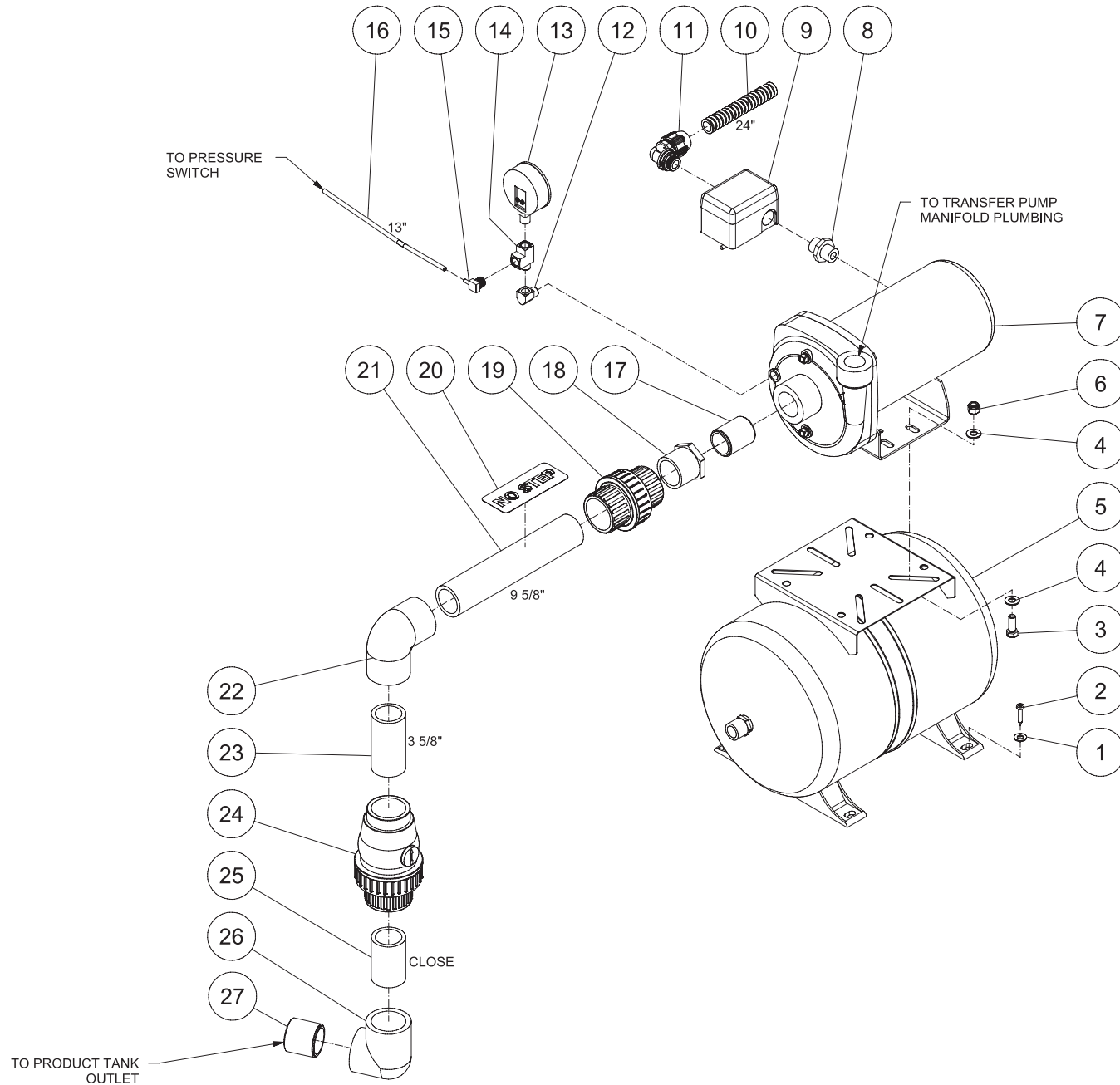
# TRANSFER PUMP AND TANK ASSEMBLY (WCP-10AB-0M10)



TRANSFER PUMP AND TANK ASSEMBLY - WCP-10AB-0M10 112513 mlk

TRANSFER PUMP AND TANK ASSY WCP-10AB-0M10 112513 MLK			
TRANSFER PUMP AND TANK ASSEMBLY			
ITEM	DESCRIPTION	PART #	QTY
1	WASHER	28-0122	4
2	SCREW	27-5278	4
3	BOLT	27-5117	4
4	WASHER	28-0123	8
5	PRESSURE TANK	12-0198	1
6	NUT	30-5159	4
7	TRANSFER PUMP	3-0181	1
8	CONDUIT FLEX	32-0253	1
9	CONDUIT ELBOW	32-0254	1
10	PRESSURE GAUGE	22-0280	1
11	ELBOW BARB	23-0381	1
12	TEE	23-0127	1
13	NIPPLE	55-1474	1
14	REDUCER	55-1628	1
15	UNION	55-1645	1
16	PIPE *(1 1/2 X 3 3/4")	55-1600	1
17	ELBOW	55-1612	1
18	PIPE *(1 1/2 X 2 3/4")	55-1600	2
19	ELBOW	55-1609	1
20	PIPE *(1 1/2" X 3 5/8")	55-1600	1
21	CHECK VALVE	55-1652	1
22	ELBOW	55-1610	1
23	NIPPLE	55-1674	1
-	DECAL SET	71-0098	1
*MUST ORDER IN ONE FOOT LENGTHS			

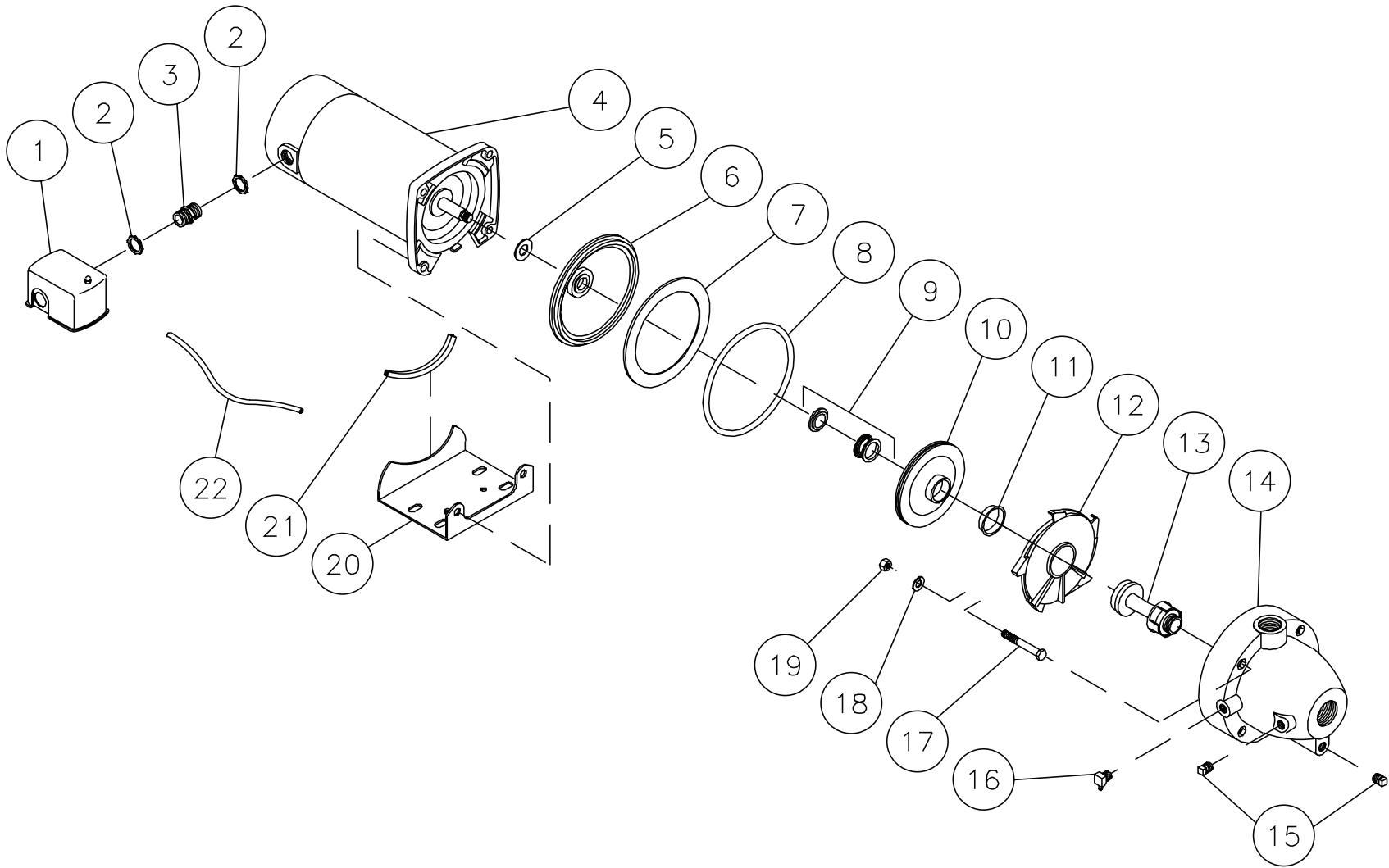
# TRANSFER PUMP AND TANK ASSEMBLY (WCP-10AB-0M30)



TRANSFER PUMP AND TANK ASSEMBLY - WCP-10AB-0M30 110813 MLK

TRANSFER PUMP AND TANK ASSEMBLY WCP-10AB-0M30 111813 MLK			
TRANSFER PUMP AND TANK ASSEMBLY			
ITEM	DESCRIPTION	PART #	QTY
1	WASHER	28-0122	4
2	SCREW	27-5278	4
3	BOLT	27-5117	4
4	WASHER	28-0123	8
5	PRESSURE TANK	12-0198	1
6	NUT	30-5159	4
7	PUMP - TRANSFER	3-0321	1
8	STRAIN RELIEF	32-0437	1
9	PRESSURE SWITCH	22-0293	1
10	CONDUIT FLEX *(TWO FEET REQUIRED)	32-0253	1
11	CONDUIT ELBOW	32-0254	1
12	ELBOW	23-0014	1
13	PRESSURE GAUGE	22-0280	1
14	TEE	23-0127	1
15	ELBOW BARB	23-0381	1
16	HOSE - PRESSURE SWITCH	15-0210	1
17	NIPPLE	55-1474	1
18	REDUCER	55-1628	1
19	UNION	55-1645	1
20	DECAL - NO STEP	N/A	1
21	PIPE *(1 1/2" X 9 5/8")	55-1600	1
22	ELBOW	55-1609	1
23	PIPE *(1 1/2" X 3 5/8")	55-1600	1
24	CHECK VALVE	55-1652	1
25	PIPE *(1 1/2" X 2 3/4")	55-1600	1
26	ELBOW	55-1610	1
27	NIPPLE	55-1674	1
-	DECAL SET	71-0098	1
*MUST ORDER IN ONE FOOT LENGTH			

# TRANSFER PUMP - SINGLE PHASE (3-0181)

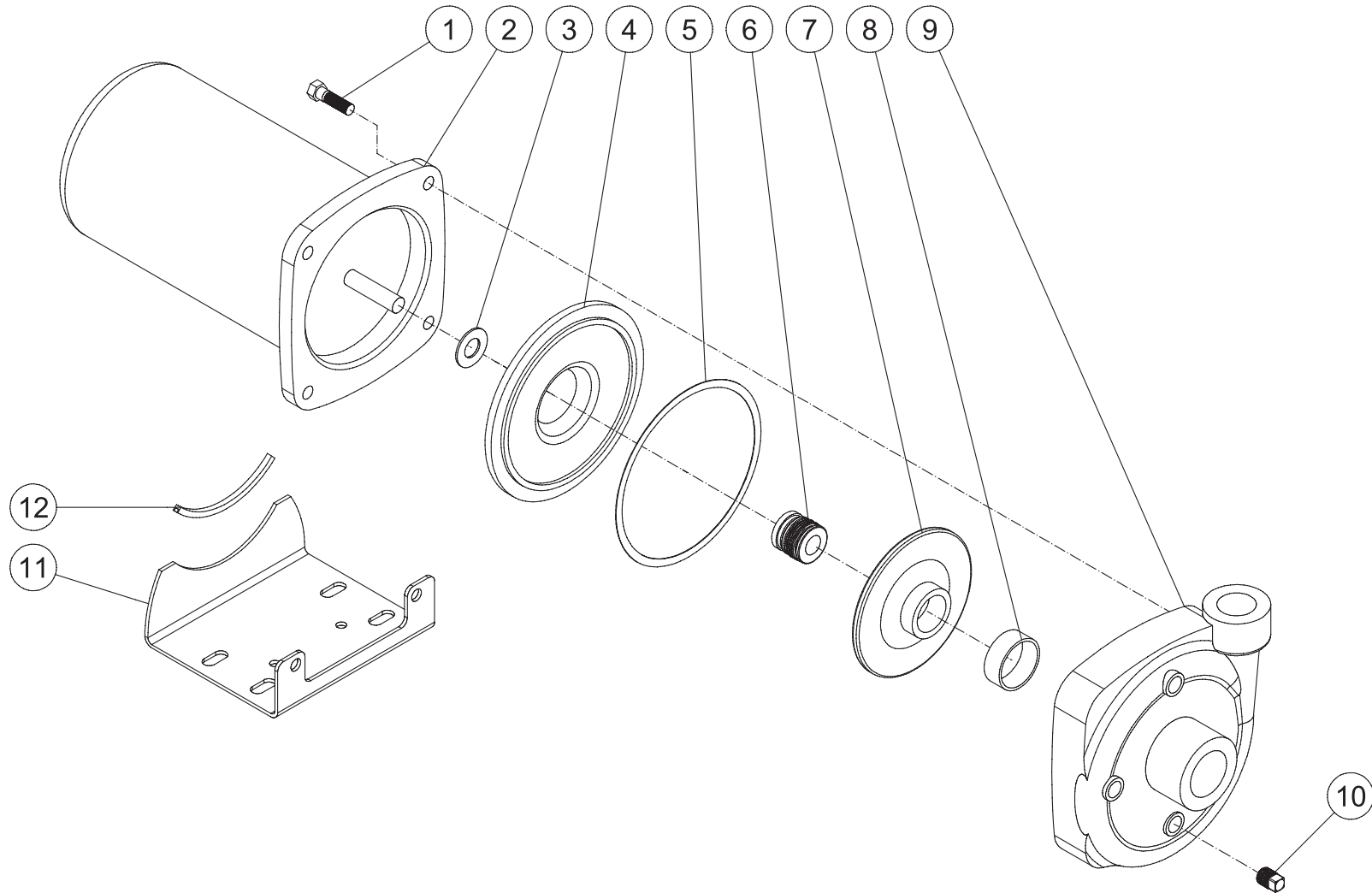


3-0181 043099 JJ



TRANSFER PUMP (3-0181)							
REF. #	DESCRIPTION	PART#	QTY.	REF. #	DESCRIPTION	PART#	QTY.
1	Pressure Switch	22-0293	1	13	Venturi	46-0836	1
2	Locknut	32-0108	2	14	Case	46-0837	1
3	Fitting	54-0040	1	15	Plug	39-0109	2
4	Motor (See 3-0181)	N/A Sep.	1	16	Elbow	23-0381	1
5	Rubber Washer (See 3-0181)	N/A Sep.	1	17	Bolt	27-8937	4
6	Seal Plate	26-0214	1	18	Lock Washer	29-0008	4
7	Disk	46-0834	1	19	Nut	30-0006	4
8	O-ring (See 70-0257)	N/A Sep.	1	20	Base (Includes Ref. 21)	5-0144	1
9	Seal	26-0215	1	21	Rubber Protector	33-0320	1
10	Impeller (See 70-0257)	N/A Sep.	1	22	Hose	15-0210	1
11	Wear Ring	46-0835	1		Impeller Kit (Includes 8-12)	70-0257	1
12	Diffuser (See 70-0257)	N/A Sep.	1		Transfer Pump (Includes 1-22)	3-0181	

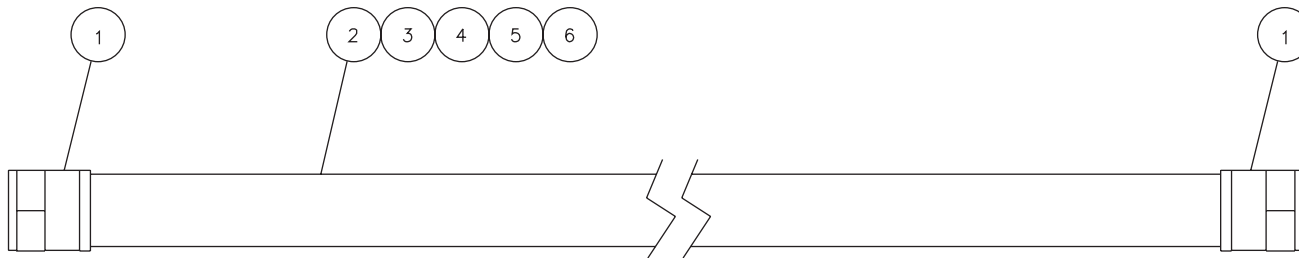
# TRANSFER PUMP - THREE PHASE (3-0321)



3-0321 022713 MLK

3-0321 022713-MLK			
TRANSFER PUMP (3-0321)			
ITEM	DESCRIPTION	Mi-T-M #	QTY
1	BOLT	27-0118	4
2	MOTOR	N/A	1
3	WATER SLINGER	46-1386	1
4	SEAL PLATE	N/A	1
5	GASKET - VOLUTE	N/A	1
6	SHAFT SEAL	26-0354	1
7	IMPELLER	46-1522	1
8	WEAR RING	46-1387	1
9	VOLUTE ASSEMBLY	N/A	1
10	PLUG	24-0009	3
11	BASE	N/A	1
12	MOTOR PAD	N/A	1
13	GASKET/O-RING KIT (#'S 3, 5, & 6)	70-0537	1

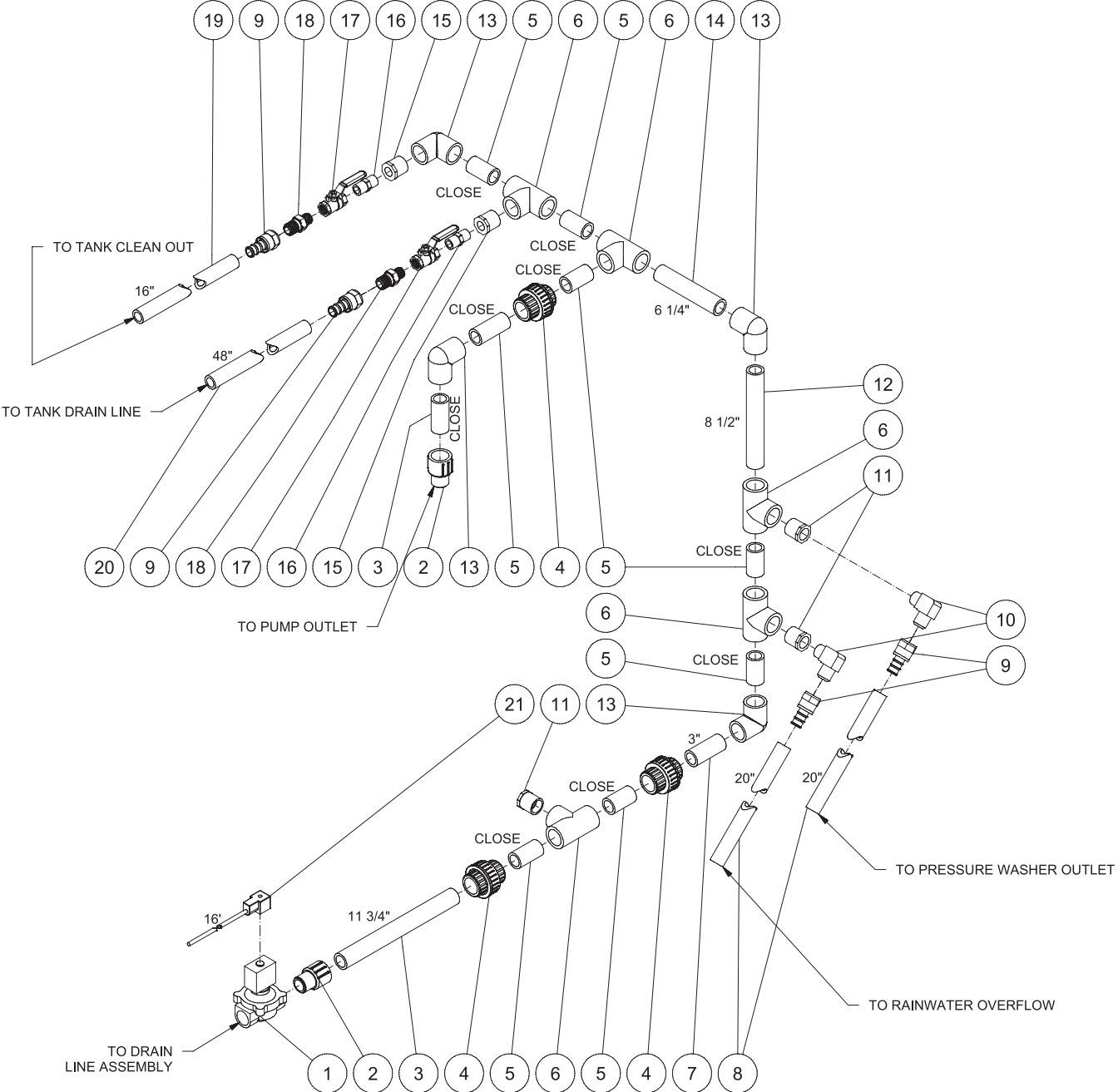
# HOSE ASSEMBLIES



HOSE ASSY-090302-KS

HOSE ASSEMBLIES				
REF. #	HOSE CONNECTION #	DESCRIPTION	PART#	QTY.
1	-	Hose Barb	23-0358	10
2	H 1	Clarifier Tank Clean-out Hose *(Three Feet Required)	15-0033	1
3	H 2	Clarifier Drain Clean-out Hose *(Three Feet Required)	15-0033	1
4	H 3	Pressure Washer Hose *(Two Feet Required)	15-0033	1
5	H 4	Pressure Washer Hose *(Two Feet Required)	15-0033	1
6	H 5	Fresh Water Make-up Hose *(Six Feet Required)	15-0033	1
*Must Order in One Foot Lengths				

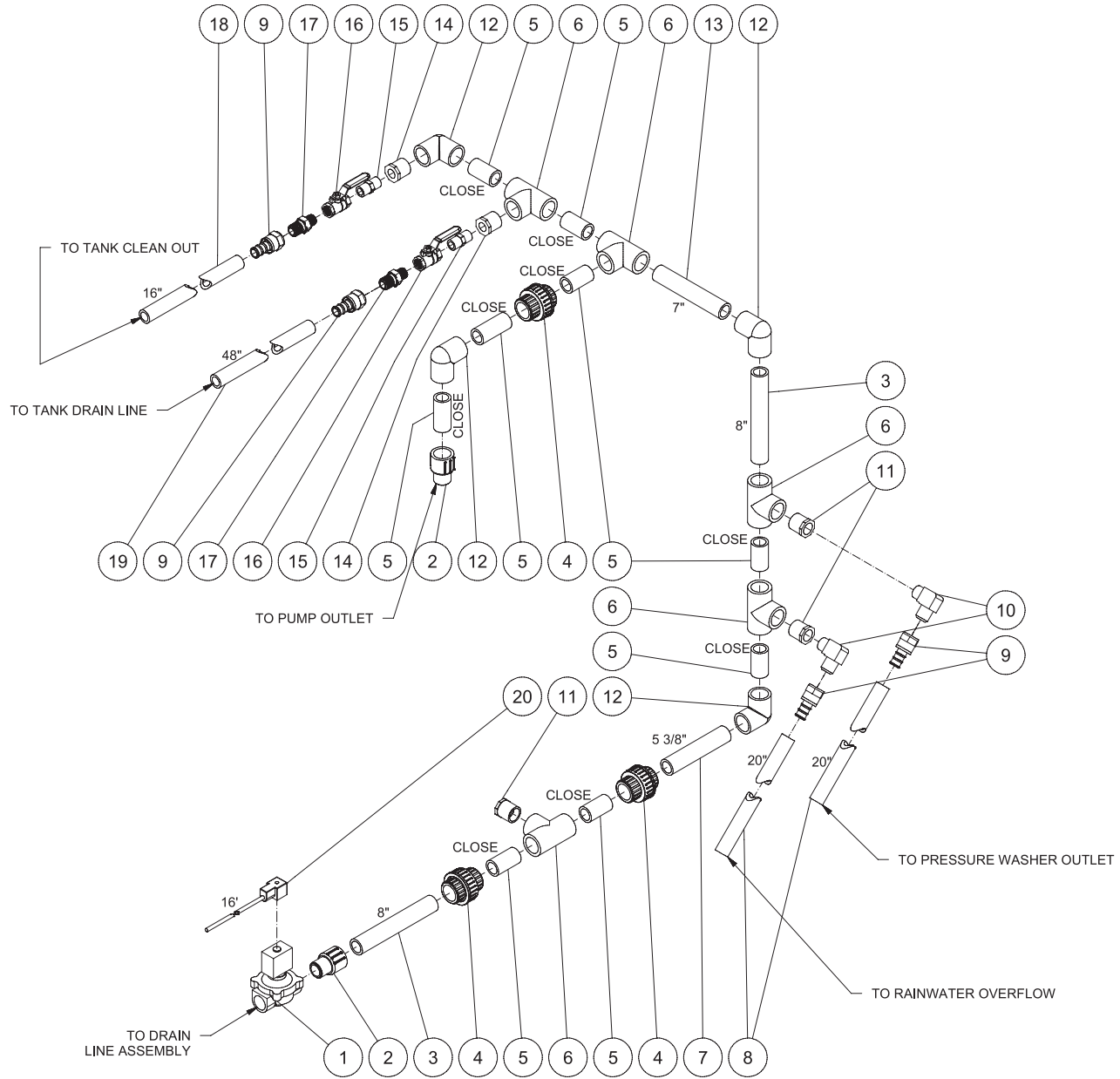
# TRANSFER PUMP MANIFOLD (WCP-10AB-0M10)



TRANSFER PUMP MANIFOLD - WCP-10AB-0M10 112513 MLK

TRANSFER PUMP MANIFOLD WCP-10AB-0M10 112513 MLK			
TRANSFER PUMP MANIFOLD			
ITEM	DESCRIPTION	PART #	QTY
1	SOLENOID-NC	22-0442	1
2	ADAPTER	55-1222	2
3	PIPE *(1" x 11 3/4")	55-1200	1
4	UNION	55-1245	3
5	PIPE *(1" X 2 3/4")	55-1200	8
6	TEE	55-1201	5
7	PIPE *(1" X 3")	55-1200	1
8	HOSE *(TWO FEET REQUIRED)	15-0033	2
9	HOSE BARB	23-0358	4
10	ELBOW	23-0364	2
11	REDUCER	55-1228	3
12	PIPE *(1" X 8 1/2")	55-1200	1
13	ELBOW	55-1209	4
14	PIPE *(1" X 6 1/4")	55-1200	1
15	REDUCER	55-1229	2
16	NIPPLE	23-0012	2
17	BALL VALVE	22-0278	2
18	NIPPLE	23-0359	2
19	HOSE *(TWO FEET REQUIRED)	15-0033	1
20	HOSE *(FOUR FEET REQUIRED)	15-0033	1
21	CORDSET *(SIXTEEN FEET REQUIRED)	32-0786	1
*MUST ORDER IN ONE FOOT LENGTHS			

# TRANSFER PUMP MANIFOLD (WCP-10AB-0M30)

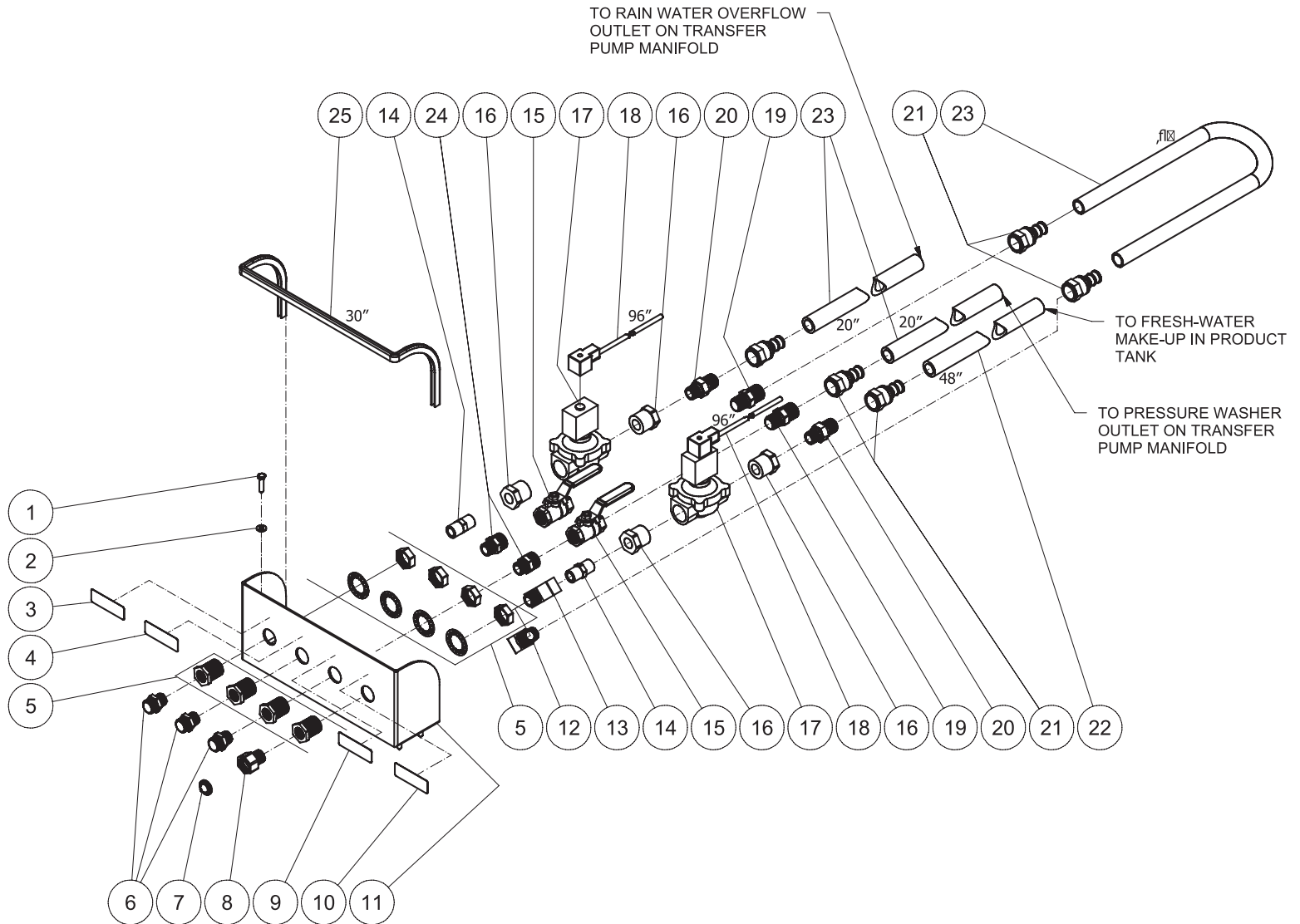


TRANSFER PUMP MANIFOLD - WCP-10AB-0M30 042314 MLK



TRANSFER PUMP MANIFOLD WCP-10AB-0M30 042314 MLK			
TRANSFER PUMP MANIFOLD			
ITEM	DESCRIPTION	PART #	QTY
1	SOLENOID-NC	22-0442	1
2	ADAPTER	55-1222	2
3	PIPE *(1" X 8")	55-1200	2
4	UNION	55-1245	3
5	PIPE *(1" X 2 3/8")	55-1200	7
6	TEE	55-1201	5
7	PIPE *(1" X 5 3/8")	55-1200	1
8	HOSE *(TWO FEET REQUIRED)	15-0033	2
9	HOSE BARB	23-0358	4
10	ELBOW	23-0364	2
11	REDUCER	55-1228	3
12	ELBOW	55-1209	4
13	PIPE *(1" X 7")	55-1200	1
14	REDUCER	55-1229	2
15	NIPPLE	23-0012	2
16	BALL VALVE	22-0278	2
17	NIPPLE	23-0359	2
18	HOSE *(TWO FEET REQUIRED)	15-0033	1
19	HOSE *(FOUR FEET REQUIRED)	15-0033	1
20	CORDSET *(SIXTEEN FEET REQUIRED)	32-0786	1
*MUST ORDER IN ONE FOOT LENGTHS			

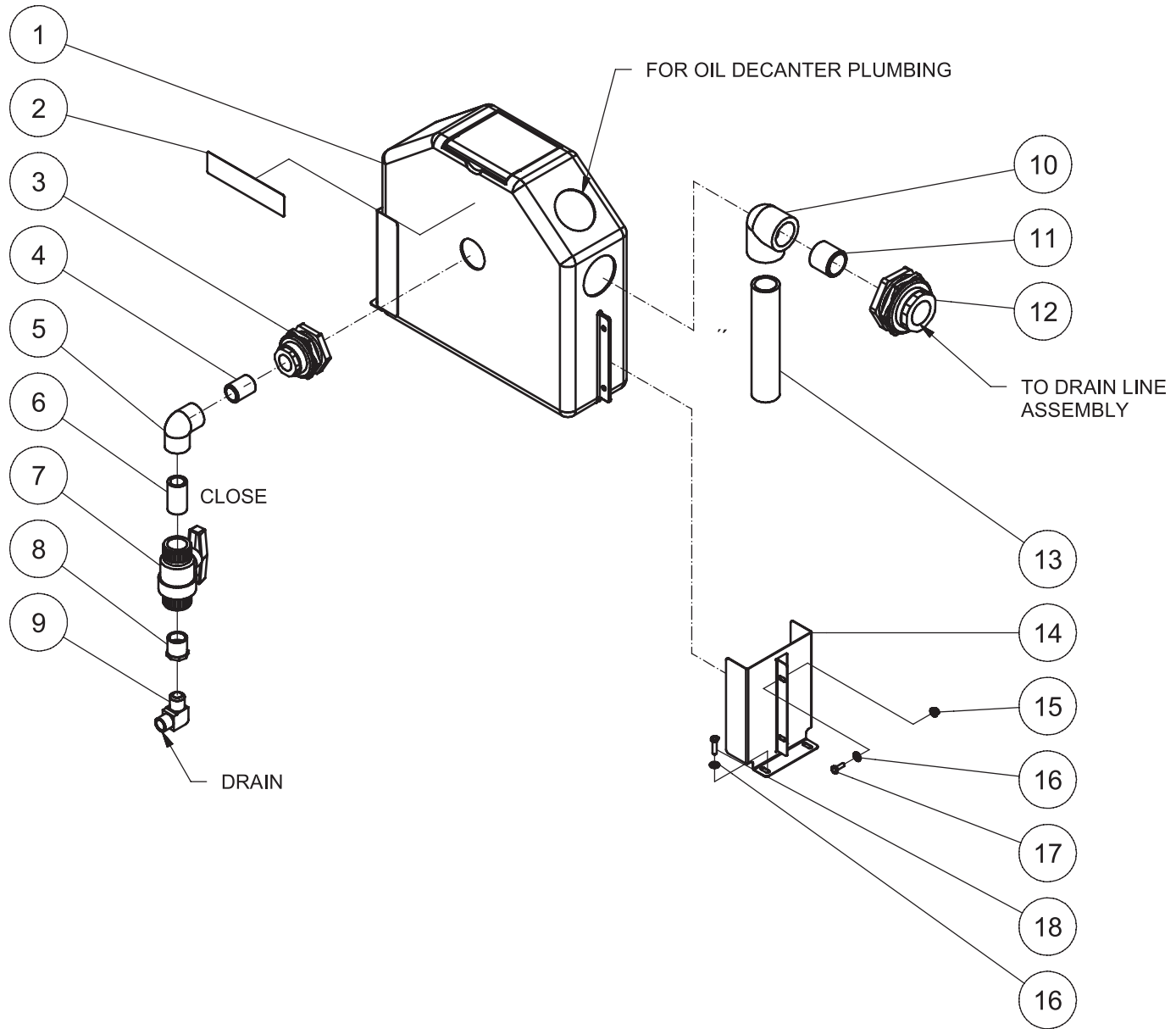
# MANIFOLD ASSEMBLY



MANIFOLD ASSY - WCP-10AB-0M10\_0M30 102813 MLK

MANIFOLD ASSY WCP-10AB-0M10/0M30 122813 MLK			
MANIFOLD ASSEMBLY			
ITEM	DESCRIPTION	PART #	QTY
1	BOLT	27-5277	4
2	WASHER	28-0121	4
3	DECAL - RAIN WATER OVERFLOW (SEE 71-0098)	N/A	1
4	DECAL - RINSE WATER OUTLET (SEE 71-0098)	N/A	1
5	ADAPTER	23-0365	4
6	ADAPTER	23-0136	3
7	FILTER	19-0001	1
8	SWIVEL	23-0095	1
9	DECAL - PRESSURE WASHER OUTLET (SEE 71-0098)	N/A	1
10	DECAL - FRESH WATER INLET (SEE 71-0098)	N/A	1
11	MANIFOLD	21-0116	1
12	ELBOW	23-0363	1
13	TEE	23-0124	1
14	NIPPLE	23-0012	2
15	BALL VALVE	22-0279	2
16	REDUCER	23-0226	4
17	SOLENOID-NC	22-0442	2
18	CORDSET	32-0786	2
19	NIPPLE	23-0362	2
20	NIPPLE	23-0359	2
21	HOSE BARB	23-0358	5
22	HOSE *(TWO FEET REQUIRED)	15-0033	1
23	HOSE 3/4" *(TWO FEET REQUIRED)	15-0033	3
24	NIPPLE	23-0082	2
25	EDGING *(THREE FEET REQUIRED)	33-0020	1
-	DECAL SET	71-0098	1
*MUST ORDER IN ONE FOOT LENGTHS			

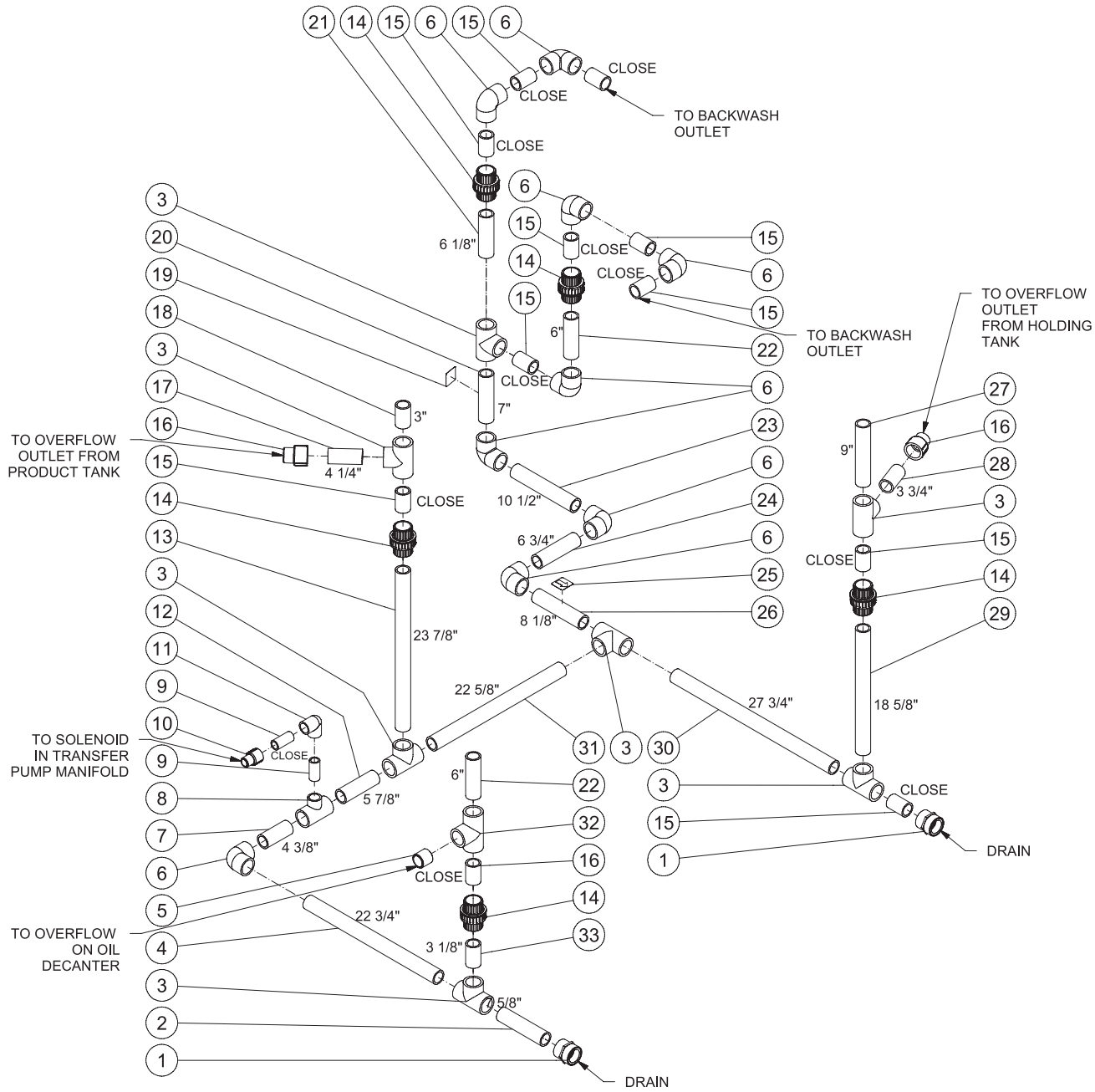
# OIL DECANTER ASSEMBLY



OIL DECANTER ASSEMBLY - WCP-10AB-0M10\_0M30 112613 MLK

DECANTER ASSY WCP-10AB-0M10/30 112613 MLK			
OIL DECANTER ASSEMBLY			
ITEM	DESCRIPTION	PART #	QTY
1	TANK	12-0124	1
2	DECAL - OIL DECANTER (SEE 71-0098)	N/A	1
3	BULKHEAD (INC. 25-042 GASKET)	55-1286	1
4	NIPPLE	55-1274	1
5	ELBOW	55-1210	1
6	PIPE *(1" X 2 1/4")	55-1200	1
7	BALL VALVE	55-1255	1
8	REDUCER	55-1228	1
9	ELBOW	23-0364	1
10	ELBOW	55-1610	1
11	NIPPLE	55-1674	1
12	BULKHEAD (INC. 25-0481 GASKET)	55-1686	1
13	PIPE *(1 1/2" X 9")	55-1600	1
14	BRACKET / FLOAT TANK	20-0586A18	2
15	NUT	30-5202	4
16	WASHER	28-0121	8
17	BOLT	27-5016	4
18	BOLT	27-5277	4
-	DECAL SET	71-0098	1
*MUST ORDER IN ONE FOOT LENGTHS			

# PLUMBING: DRAIN LINE ASSEMBLY

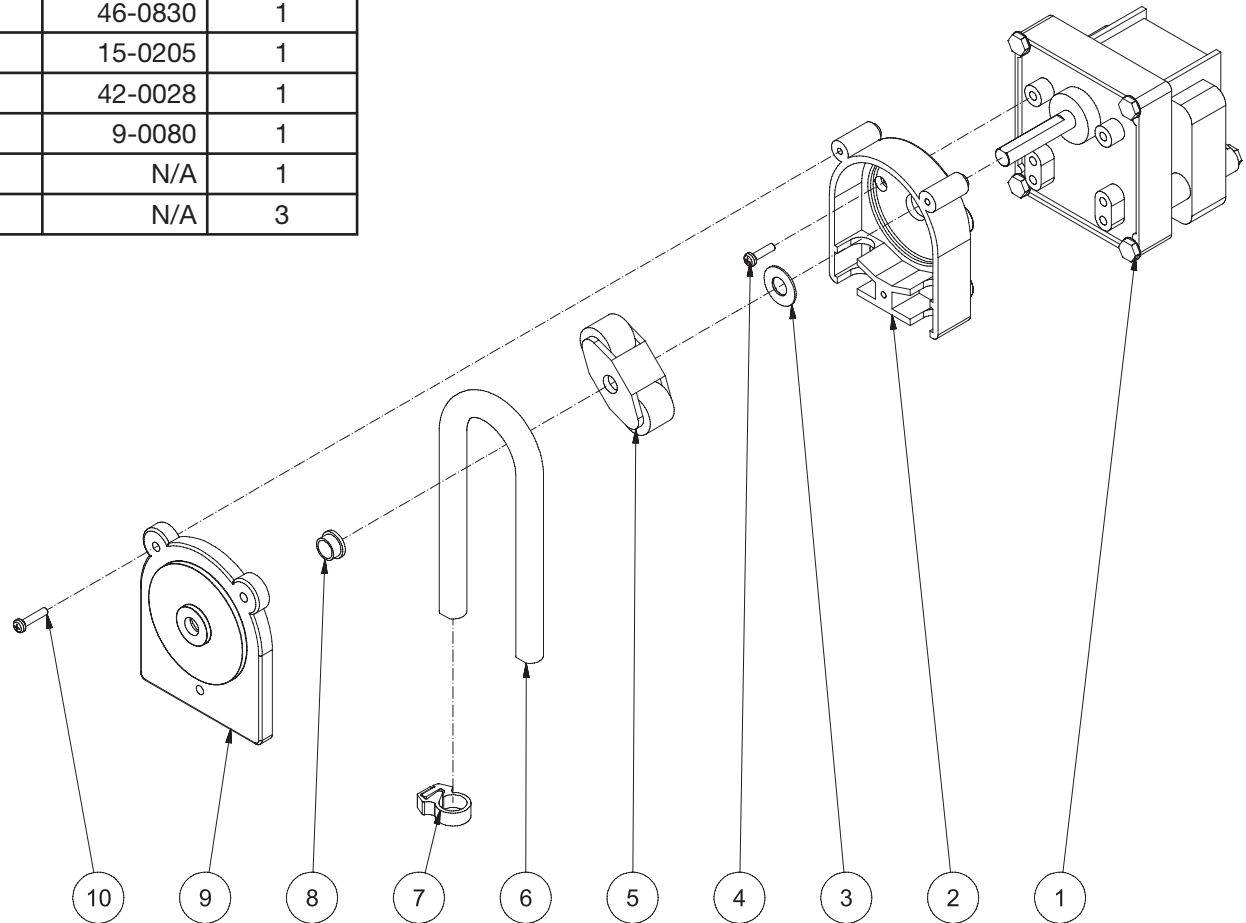


DRAIN LINE ASSEMBLY - WCP-10AB-0M10\_0M30 111213 MLK

DRAIN LINE ASSEMBLY WCP-10AB-0M10_0M30 111213 MLK			
PLUMBING: DRAIN LINE ASSEMBLY			
ITEM	DESCRIPTION	Mi-T-M #	QTY
1	FEMALE ADAPTER	55-1621	2
2	PIPE *(1 1/2" X 7 5/8")	55-1600	1
3	TEE	55-1601	7
4	PIPE (1 1/2" X 22 3/4")	55-1600	1
5	NIPPLE	55-1674	1
6	ELBOW	55-1609	9
7	PIPE *(1 1/2" X 4 3/8")	55-1600	1
8	TEE	55-1603	1
9	PIPE	55-1200	2
10	ADAPTER	55-1222	1
11	ELBOW	55-1209	1
12	PIPE *(1 1/2" X 5 7/8")	55-1600	1
13	PIPE (1 1/2" X 23 7/8")	55-1600	1
14	UNION	55-1645	5
15	PIPE *(1 1/2" X 2 3/4")	55-1600	11
16	ADAPTER	55-1622	2
17	PIPE *(1 1/2" X 4 1/4")	55-1600	1
18	PIPE *(1 1/2" X 3")	55-1600	1
19	DECAL - BACKWASH ARROW (SEE 71-0098)	N/A	1
20	PIPE *(1 1/2" X 7")	55-1600	1
21	PIPE *(1 1/2" X 6 1/8") CLEAR	55-1685	1
22	PIPE *(1 1/2" X 6")	55-1685	2
23	PIPE *(1 1/2" X 10 1/2")	55-1600	1
24	PIPE *(1 1/2" X 6 3/4")	55-1600	1
25	DECAL (SEE 71-0098)	N/A	1
26	PIPE *(1 1/2" X 8 1/8")	55-1600	1
27	PIPE *(1 1/2" X 9")	55-1600	1
28	PIPE *(1 1/2" X 3 3/4")	55-1600	1
29	PIPE (1 1/2" X 18 5/8")	55-1600	1
30	PIPE (1 1/2" X 27 3/4")	55-1600	1
31	PIPE *(1 1/2" X 22 5/8")	55-1600	1
32	TEE	55-1607	1
33	PIPE *(1 1/2" X 3 1/8")	55-1600	1
-	DECAL SET	71-0098	1
*MUST ORDER IN ONE FOOT LENGTHS			

## PH / ORP PUMP (3-0316)

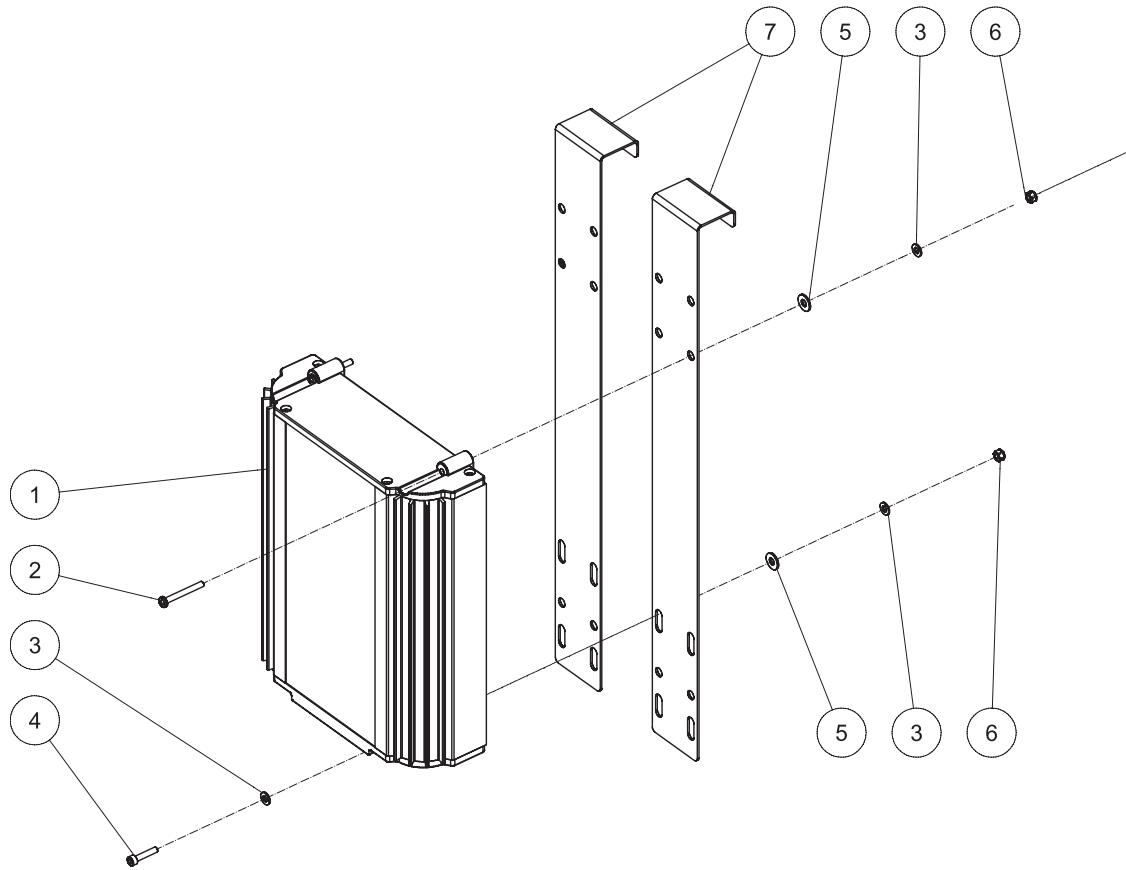
3-0316 030110-PJH			
PUMP (3-0316)			
ITEM	DESCRIPTION	PART #	QTY
1	MOTOR	N/A	1
2	HOUSING (SEE 70-0245)	N/A	1
3	WASHER	N/A	1
4	SCREW	27-2771	4
5	ROLLER BRACKET ASSEMBLY	46-0830	1
6	TUBE	15-0205	1
7	CLAMP	42-0028	1
8	BUSHING	9-0080	1
9	PUMP COVER (SEE 70-0245)	N/A </td <td>1</td>	1
10	SCREW (SEE 70-0245)	N/A	3



3-0316 030110-PJH



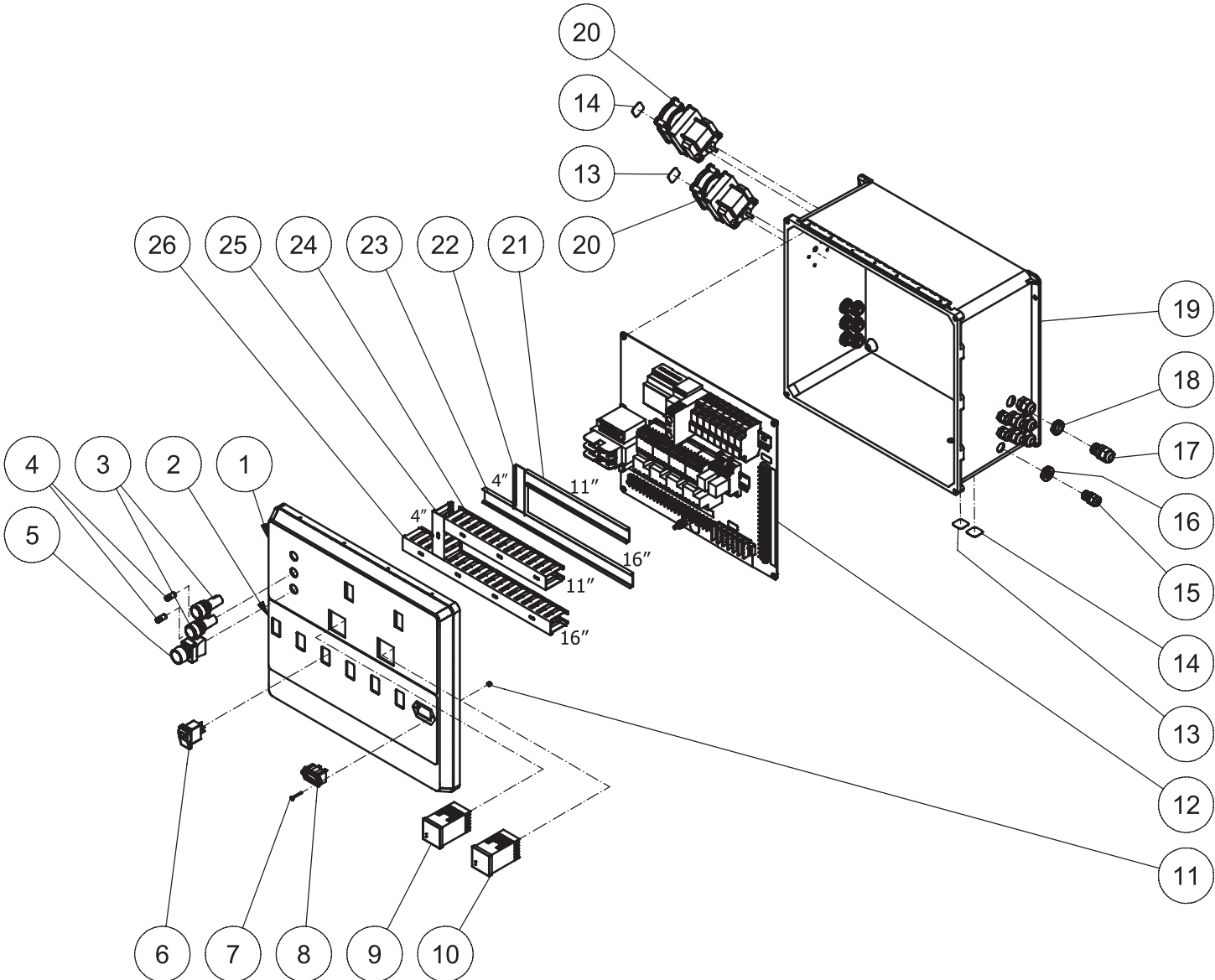
## OZONE GENERATOR MOUNTING



OZONE GENERATOR ASSEMBLY - WCP-10-0M10 111513 MLK

OZONE GENERATOR ASSEMBLY - WCP-10-0M10 111513 MLK			
OZONE GENERATOR ASSEMBLY			
ITEM	DESCRIPTION	PART #	QTY
1	OZONE GENERATOR	32-0865	1
2	BOLT	27-5032	2
3	WASHER	28-0010	6
4	BOLT	27-8930	2
5	WASHER	28-0120	4
6	LOCKNUT	30-8152	4
7	HANGER BRACKET	21-0177	2

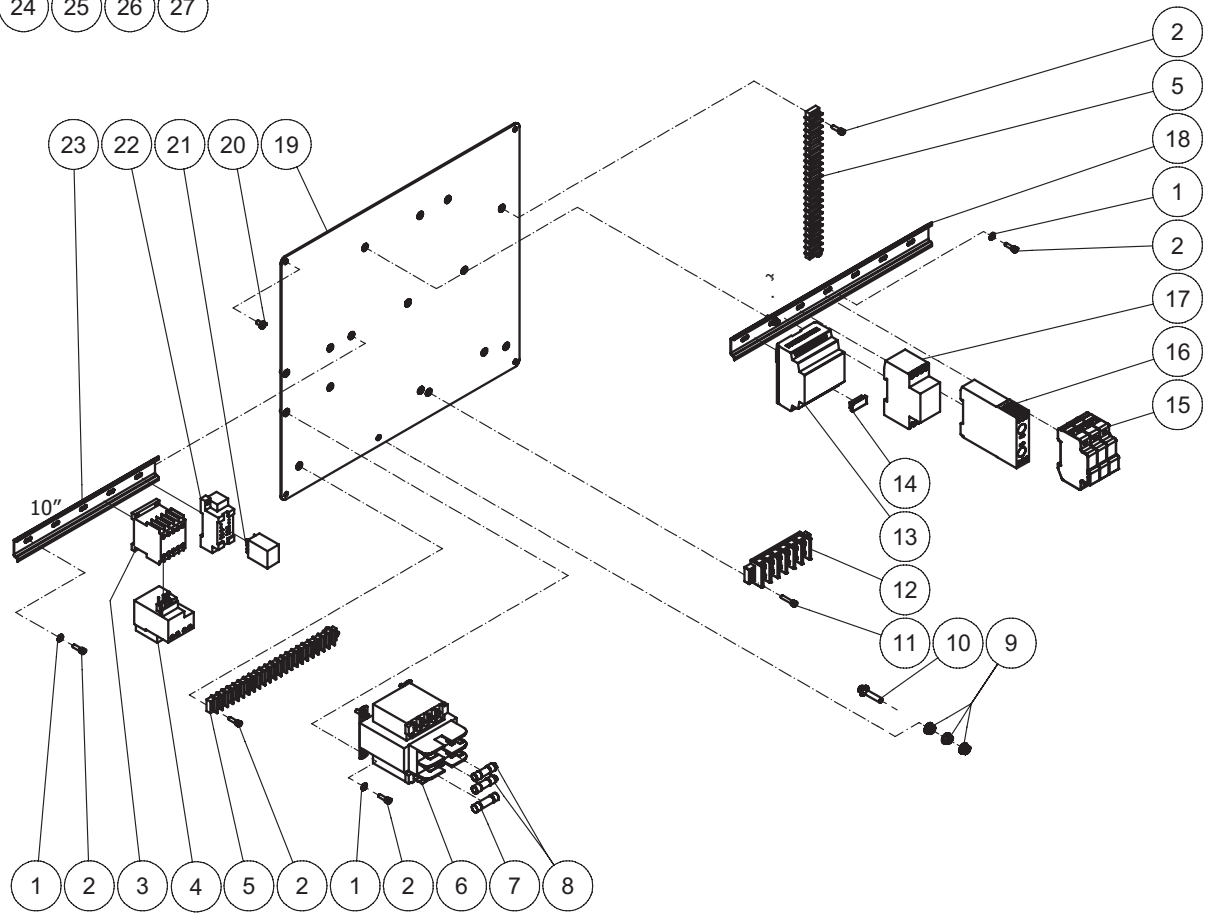
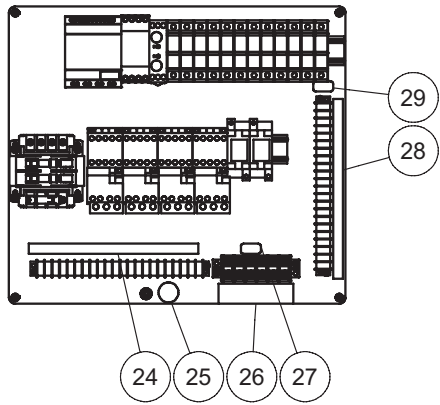
# CONTROL PANEL



CONTROL PANEL ASSEMBLY - WCP-10AB-0M10\_0M30 121113 MLK

CONTROL PANEL ASSY WCP-10AB-0M10_0M30 121113 MLK			
CONTROL PANEL			
ITEM	DESCRIPTION	PART #	QTY
1	DECAL - AUTO BACKWASH CONTROL (SEE 71-0098)	N/A	1
2	DECAL - OPERATING INSTRUCTIONS (SEE 71-0098)	N/A	1
3	INDICATOR LIGHT	32-0803	2
4	BULB	32-0937	2
5	SWITCH PUSH BUTTON	32-0534	1
6	ROCKER SWITCH	32-0669	9
7	BOLT	27-8928	2
8	HOUR METER	32-0668	1
9	PH METER	32-0806	1
10	ORP METER	32-0807	1
11	LOCKNUT	30-8151	2
12	CONTROL PANEL PLATE ASSY	N/A	1
13	DECAL - PH (SEE 71-0098)	N/A	2
14	DECAL - ORP (SEE 71-0098)	N/A	2
15	STRAIN RELIEF	32-0586	3
16	ELECTRICAL LOCKNUT	32-0587	3
17	STRAIN RELIEF	32-0437	12
18	ELECTRICAL LOCKNUT	32-0108	12
19	ELECTRIC BOX	32-0543	1
20	PUMP	3-0316	2
21	DUCT COVER *(ONE FOOT REQUIRED)	32-0318	1
22	DUCT COVER *(ONE FOOT REQUIRED)	32-0318	1
23	DUCT COVER *(TWO FEET REQUIRED)	32-0318	1
24	DUCT *(ONE FOOT REQUIRED)	32-0555	1
25	DUCT *(ONE FOOT REQUIRED)	32-0555	1
26	DUCT *(TWO FEET REQUIRED)	32-0555	1
-	DECAL SET	71-0098	1
*MUST ORDER IN ONE FOOT LENGTHS			

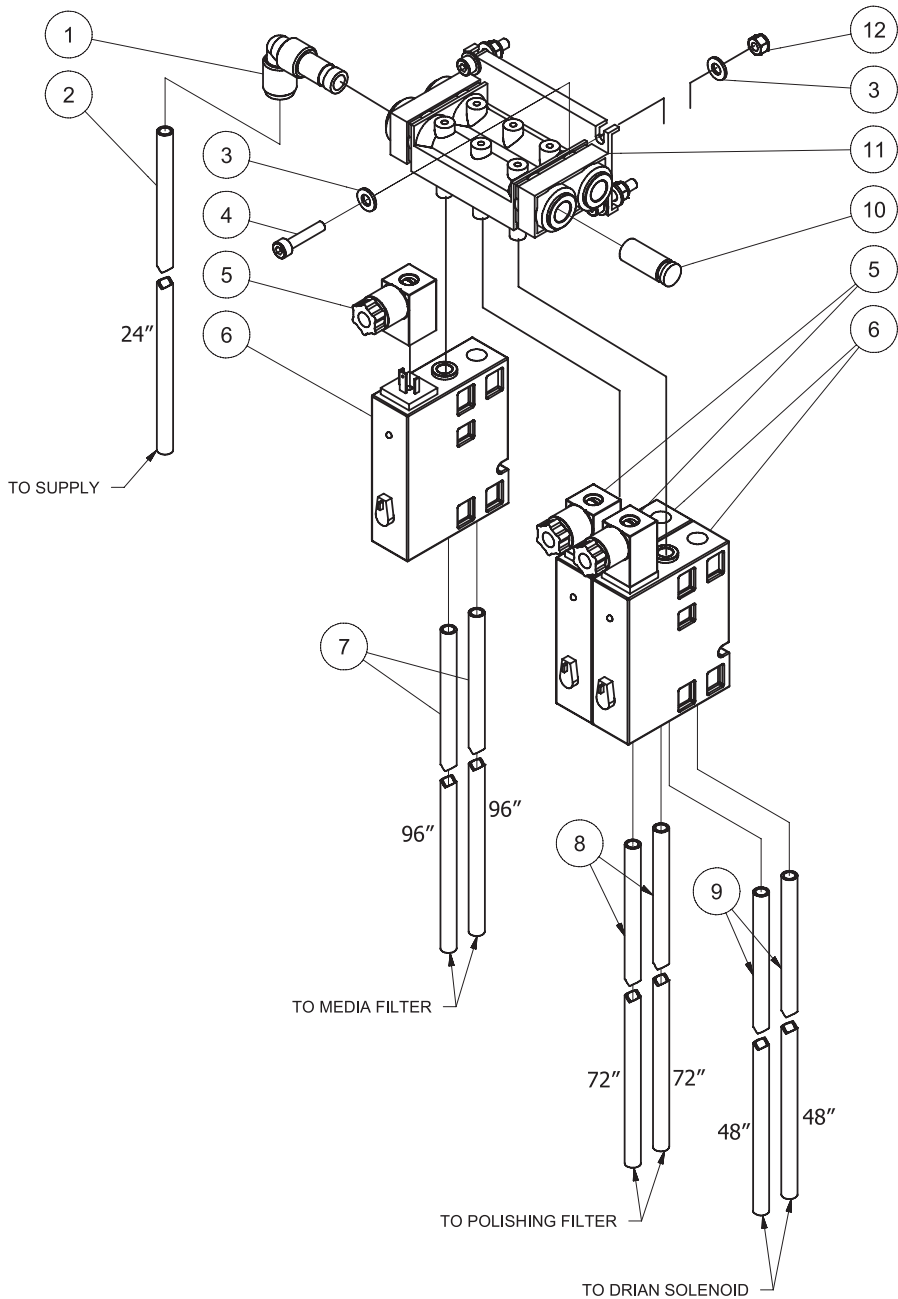
# CONTROL PANEL PLATE ASSEMBLY



CONTROL PANEL PLATE ASSY - WCP-10AB-0M10\_0M30 111513 MLK

CONTROL PANEL PLATE ASSY WCP-10AB-0M10_0M30 111513 MLK			
CONTROL PANEL PLATE ASSEMBLY			
ITEM	DESCRIPTION	PART #	QTY
1	STAR WASHER	28-1009	7
2	SCREW	27-8835	11
3	CONTACTOR	32-1009	4
4	OVERLOAD (SINGLE PHASE 230V) (SUMP/FILTER)	32-1016	1
-	OVERLOAD (SINGLE PHASE 230V) (TRANSFER/OZONE)	32-1015	1
-	OVERLOAD (THREE PHASE 230V) (SUMP/FILTER)	32-1014	1
-	OVERLOAD (THREE PHASE 230V) (TRANSFER)	32-1013	1
-	OVERLOAD (THREE PHASE 230V) (OZONE)	32-1012	1
-	OVERLOAD (THREE PHASE 460V) (SUMP/FILTER)	32-1011	1
-	OVERLOAD (THREE PHASE 460V) (TRANSFER/OZONE)	32-1010	1
5	TERMINAL STRIP	32-0463	2
6	TRANSFORMER	32-0735	1
7	FUSE	32-1028	1
8	FUSE (230V ONLY)	32-0740	2
-	FUSE 0.5A (460V ONLY)	32-0467	2
9	NUT	30-3022	3
10	BOLT	27-8898	1
11	BOLT	27-8930	2
12	TERMINAL BLOCK	32-0536	1
13	PROGRAMMABLE RELAY	32-0778	1
14	PROGRAMMABLE RELAY CHIP	32-0779	1
15	FUSE HOLDER (THREE PHASE)	32-1007	4
-	FUSE HOLDER-2 FUSE (SINGLE PHASE)	32-1006	4
16	RELAY TIMER	32-0822	1
17	TIMER	32-1018	1
18	DIN RAIL *(TWO FEET REQUIRED)	32-0316	1
19	ELECTRICAL PLATE	20-1159A06	1
20	SCREW	27-8933	4
21	RELAY	32-1008	2
22	SOCKET - RELAY 8 PIN	32-0321	2
23	DIN RAIL *(ONE FOOT REQUIRED)	32-0316	1
24	DECAL - TERMINAL STRIP #23-44 (SEE 71-0098)	N/A	1
25	DECAL- GROUND PICTORIAL (SEE 71-0098)	N/A	1
26	DECAL - TERMINAL STRIP #45-50 (SEE 71-0098)	N/A	1
27	DECAL - 230 VOLT (SEE 71-0098)	N/A	1
28	DECAL - TERMINAL STRIP #01-22 (SEE 71-0098)	N/A	1
29	DECAL - 115 VOLT (SEE 71-0098)	N/A	1
-	MOTOR FUSES (SINGLE PHASE 230V) (SUMP/FILTER) (NOT SHOWN)	32-1026	2
	MOTOR FUSES (SINGLE PHASE 230V) (TRANSFER/OZONE) (NOT SHOWN)	32-1025	2
	MOTOR FUSES (THREE PHASE 230V) (SUMP/FILTER/TRANSFER) (NOT SHOWN)	32-1024	3
	MOTOR FUSES (THREE PHASE 230V) (OZONE) (NOT SHOWN)	32-1023	3
	MOTOR FUSES (THREE PHASE 460V) (SUMP/FILTER/TRANSFER) (NOT SHOWN)	32-1023	3
	MOTOR FUSES (THREE PHASE 460V) (OZONE) (NOT SHOWN)	32-0741	3
-	DECAL SET	71-0098	1
*MUST ORDER IN ONE FOOT LENGTHS			

### AIR CONTROL SYSTEM (3)

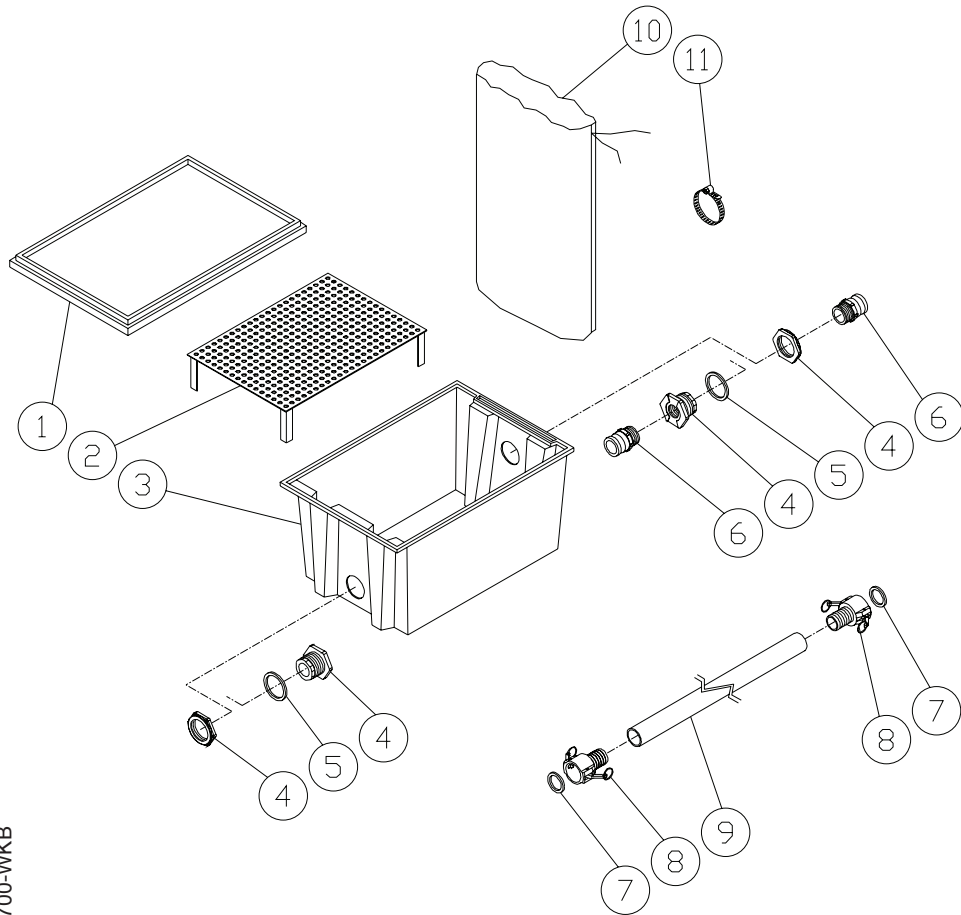


AIR CONTROL SYSTEM (3) - 111313- MLK

AIR CONTROL SYSTEM (3) 111313 MLK			
AIR CONTROL SYSTEM ASSEMBLY			
ITEM	DESCRIPTION	PART #	QTY
1	ELBOW	55-0091	1
2	HOSE *(TWO FEET REQUIRED)	15-0240	7
3	WASHER	28-0010	8
4	BOLT	27-8930	4
5	DIN CORD	32-0772	3
6	AIR CONTROL VALVE	22-0443	3
7	HOSE *(EIGHT FEET REQUIRED)	15-0240	1
8	HOSE *(SIX FEET REQUIRED)	15-0240	1
9	HOSE *(FOUR FEET REQUIRED)	15-0240	1
10	PLUG	N/A	1
11	AIR MANIFOLD	22-0352	1
12	LOCKNUT	30-8152	4
*MUST ORDER IN ONE FOOT LENGTHS			

## SLUDGE BOX ASSEMBLY (855-0017)

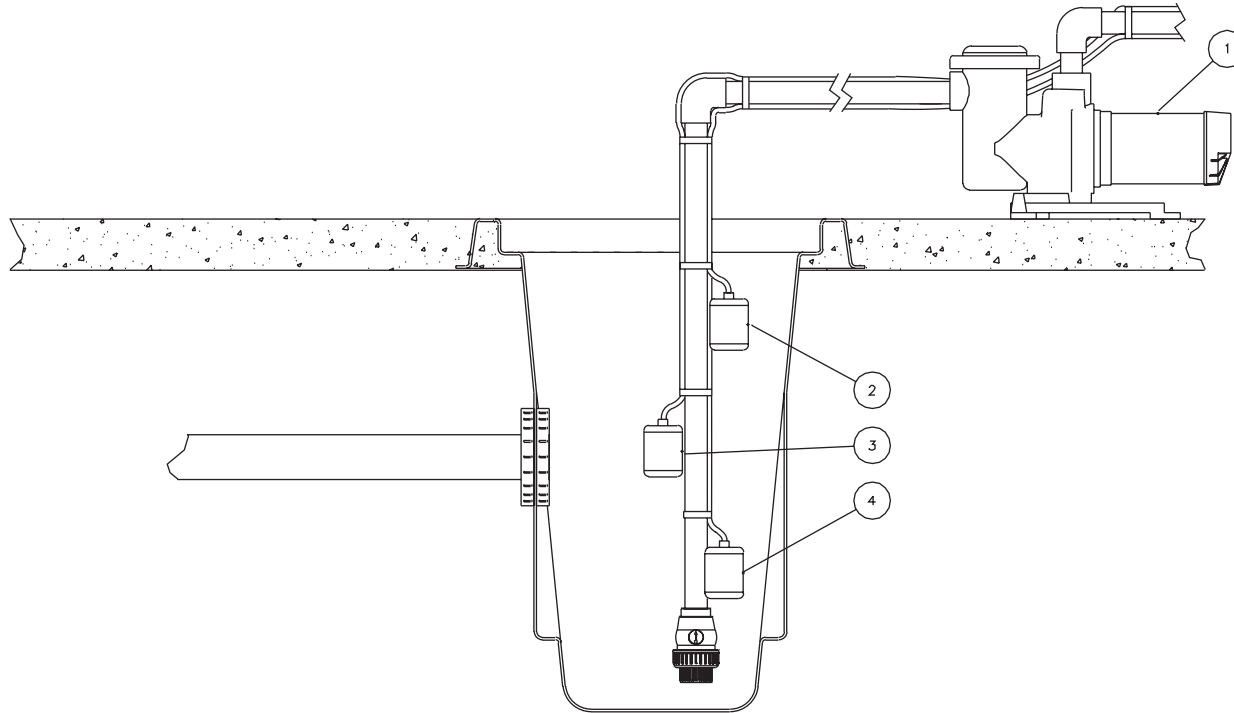
855-0017-040700-WKB



SLUDGE BOX ASSEMBLY (855-0017)			
REF. #	DESCRIPTION	PART #	QTY.
1	Lid	33-0341	1
2	Riser Plate	21-0126	1
3	Sludge Box	33-0344	1
4	Bulkhead (Includes Gasket 25-0481)	55-1886	2
5	Gasket	25-0481	2
6	Adapter	55-0054	2
7	Gasket	25-0476	2
8	Coupler (Includes Gasket 25-0476)	55-0055	2
9	Hose *(Ten Feet Required)	15-0213	1
10	Filter Bag	41-0190	5
11	Hose Clamp	42-0027	1
	Complete Sludge Box (Inc. 1-11)	855-0017	
*Must Order in One Foot Lengths			

855-0017-040700-WKB

## SUMP PIT ASSEMBLY



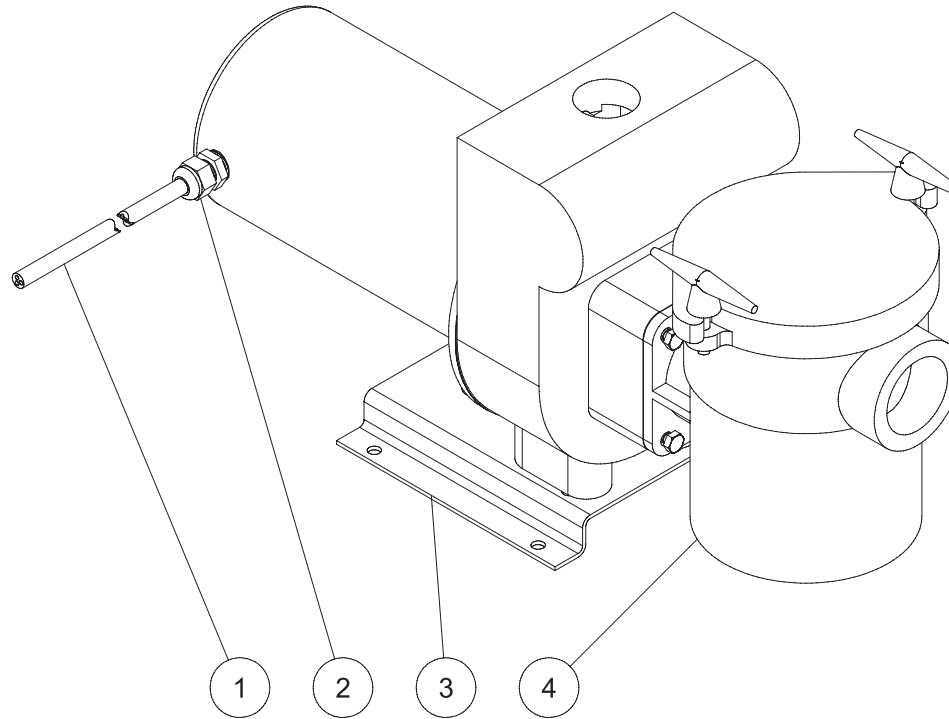
SUMP PIT ASSY-121901-KS

<b>SUMP PIT ASSEMBLY</b>			
<b>REF. #</b>	<b>DESCRIPTION</b>	<b>PART #</b>	<b>QTY.</b>
1	Sump Pump Assembly	855-0024	1
2	Float- Normally Open	32-0545	1
3	Float- Normally Closed	32-0530	1
4	Float- Normally Open	32-0528	1

SUMP PIT ASSY-121901-KS



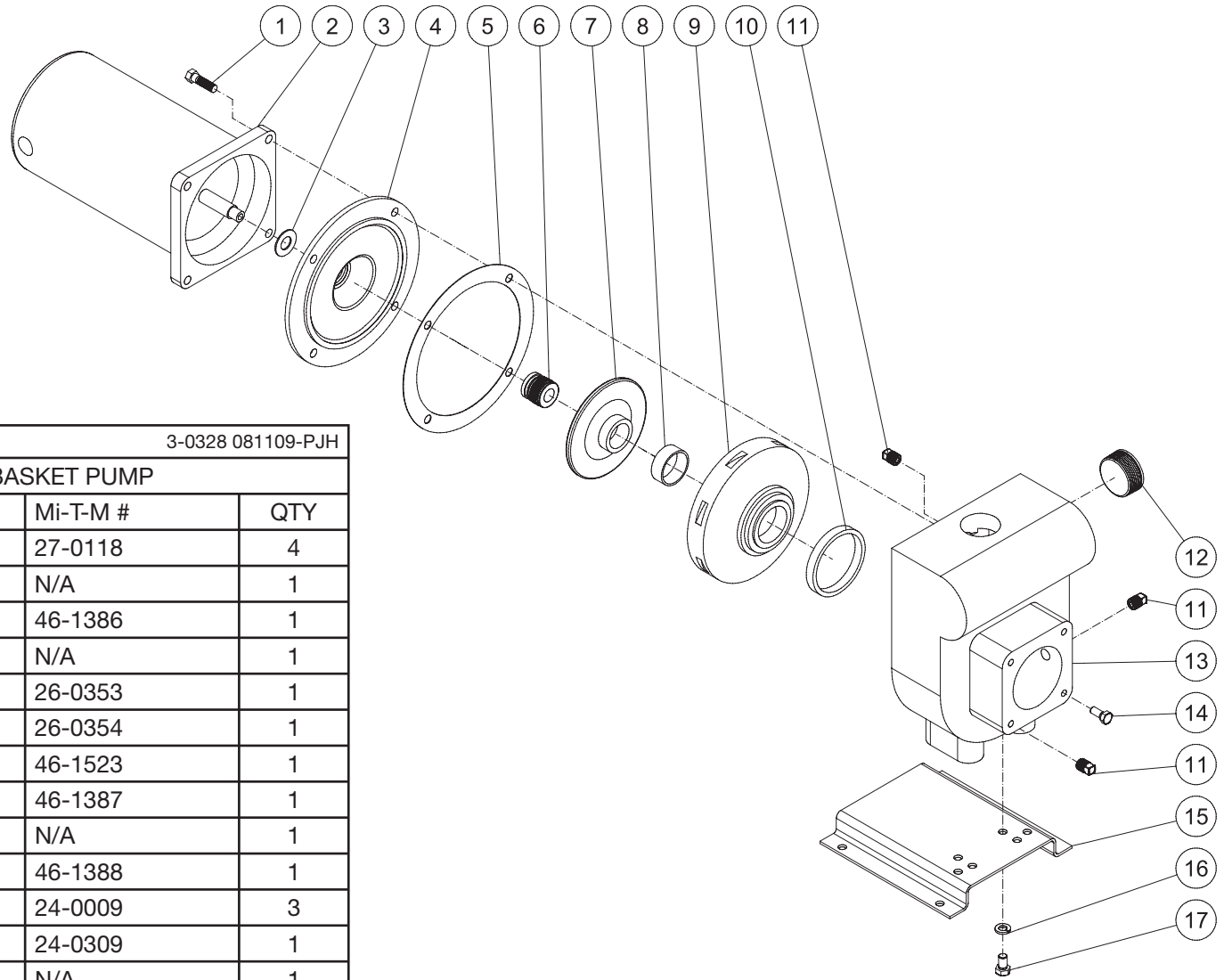
## SUMP PUMP ASSEMBLY



SUMP PUMP ASSEMBLY - WCP-30AB 030110-PJH			
SUMP PUMP ASSEMBLY			
ITEM	DESCRIPTION	Mi-T-M #	QTY
1	CORD	32-0074	1
2	STRAIN RELIEF	32-0437	1
3	PUMP 3 PHASE	3-0317	1
-	PUMP 1 PHASE	3-0328	1
4	TRAP & BASKET	33-0491	1
-	BASKET O-RING (NOT SHOWN) (REPLACEMENT ONLY)	25-0623	1
-	BASKET (NOT SHOWN) (REPLACEMENT ONLY)	33-0502	1
5	TERMINAL FORK (NOT SHOWN)	32-0003	2
6	TERMINAL RING (NOT SHOWN)	32-0099	1

SUMP PUMP ASSEMBLY WCP-30AB 030110-PJH

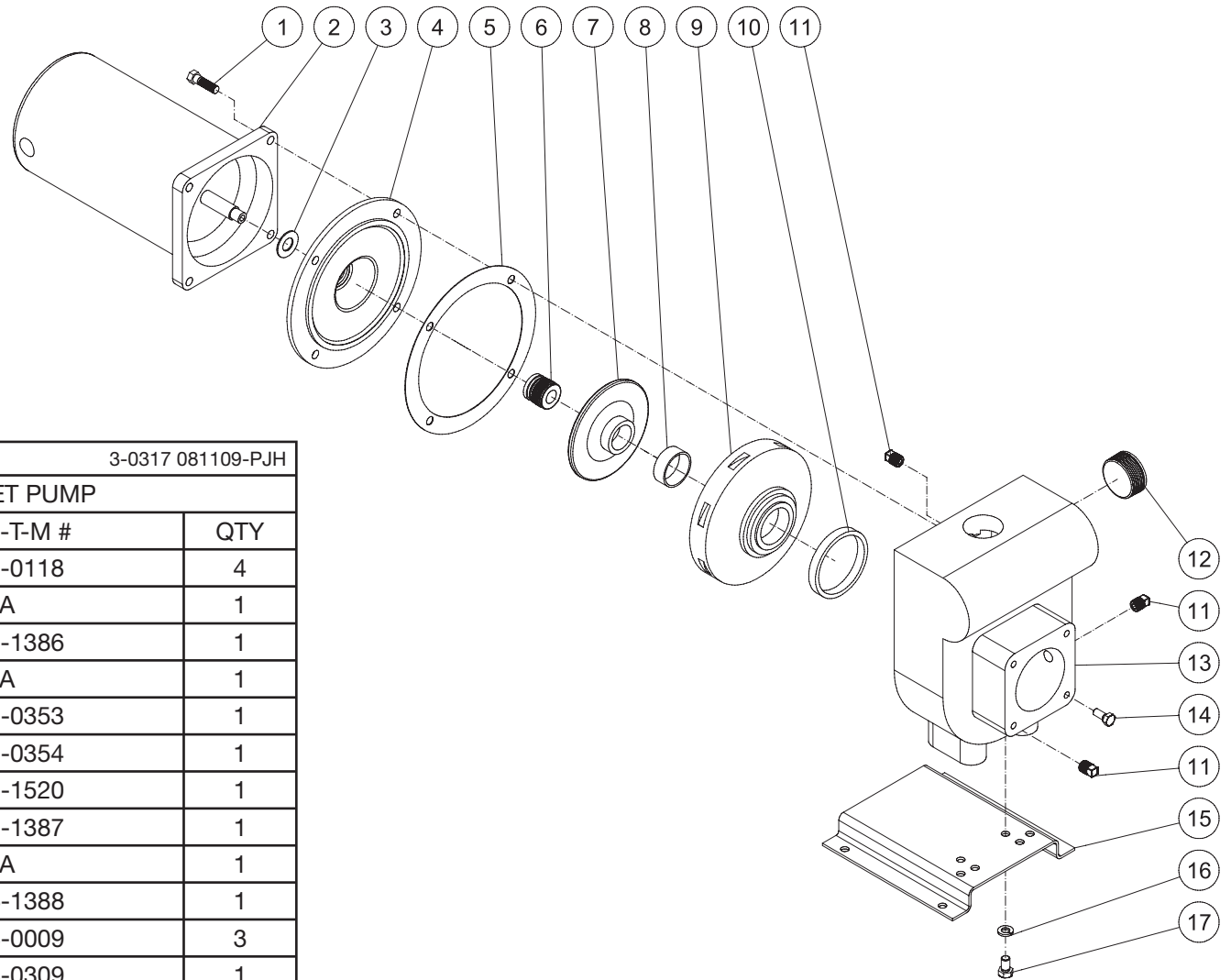
### SUMP PUMP (3-0328) (SINGLE PHASE)



3-0328 081109-PJH			
STRAINER BASKET PUMP			
ITEM	DESCRIPTION	Mi-T-M #	QTY
1	BOLT	27-0118	4
2	PUMP/FILTER	N/A	1
3	WATER SLINGER	46-1386	1
4	SEAL PLATE	N/A	1
5	GASKET	26-0353	1
6	SHAFT SEAL	26-0354	1
7	IMPELLER	46-1523	1
8	WEAR RING	46-1387	1
9	DIFFUSER	N/A	1
10	DIFFUSER RING	46-1388	1
11	PLUG	24-0009	3
12	PLUG	24-0309	1
13	PUMP BODY	N/A	1
14	BOLT	27-0066	4
15	BASE	N/A	1
16	LOCKWASHER	29-0008	2
17	BOLT	N/A	2

3-0328 081109-PJH

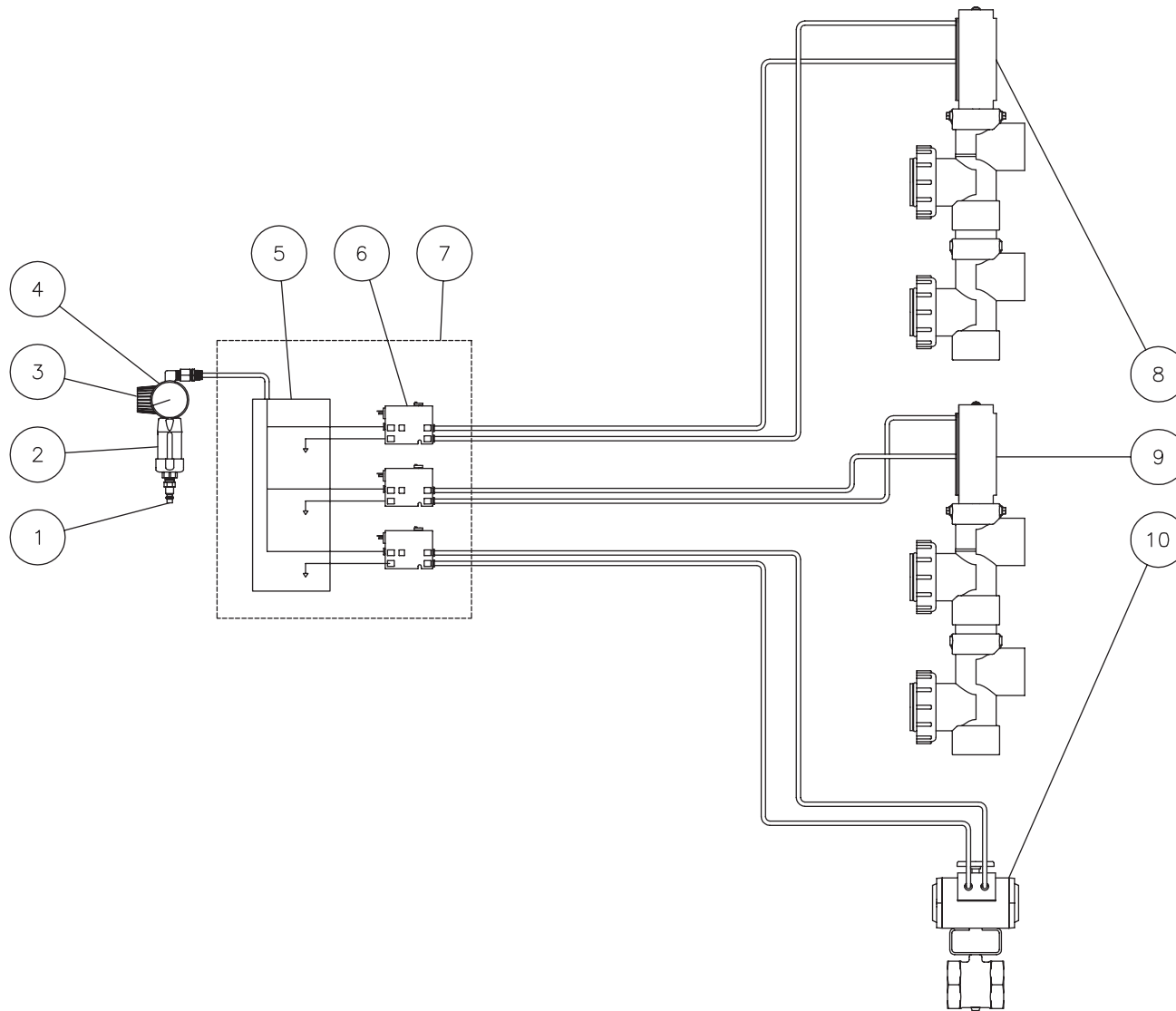
### SUMP PUMP (3-0317) (THREE PHASE)



3-0317 081109-PJH			
STRAINER BASKET PUMP			
ITEM	DESCRIPTION	Mi-T-M #	QTY
1	BOLT	27-0118	4
2	PUMP/FILTER	N/A	1
3	WATER SLINGER	46-1386	1
4	SEAL PLATE	N/A	1
5	GASKET	26-0353	1
6	SHAFT SEAL	26-0354	1
7	IMPELLER	46-1520	1
8	WEAR RING	46-1387	1
9	DIFFUSER	N/A	1
10	DIFFUSER RING	46-1388	1
11	PLUG	24-0009	3
12	PLUG	24-0309	1
13	PUMP BODY	N/A	1
14	BOLT	27-0066	4
15	BASE	N/A	1
16	LOCKWASHER	29-0008	2
17	BOLT	N/A	2

3-0317 081109-PJH

# PNEUMATIC DIAGRAM



PNEUMATIC DIAGRAM-022305-ASY

PNEUMATIC DIAGRAM	
REF. #	DESCRIPTION
1	Air Inlet Connection
2	Air Dryer
3	Air Regulator
4	Pressure Gauge
5	Air Manifold
6	Air Control Valve
7	Air Manifold Assembly
8	Multi-Media Filter Valve
9	Polishing Filter Valve
10	Automatic Solids Drain Valve

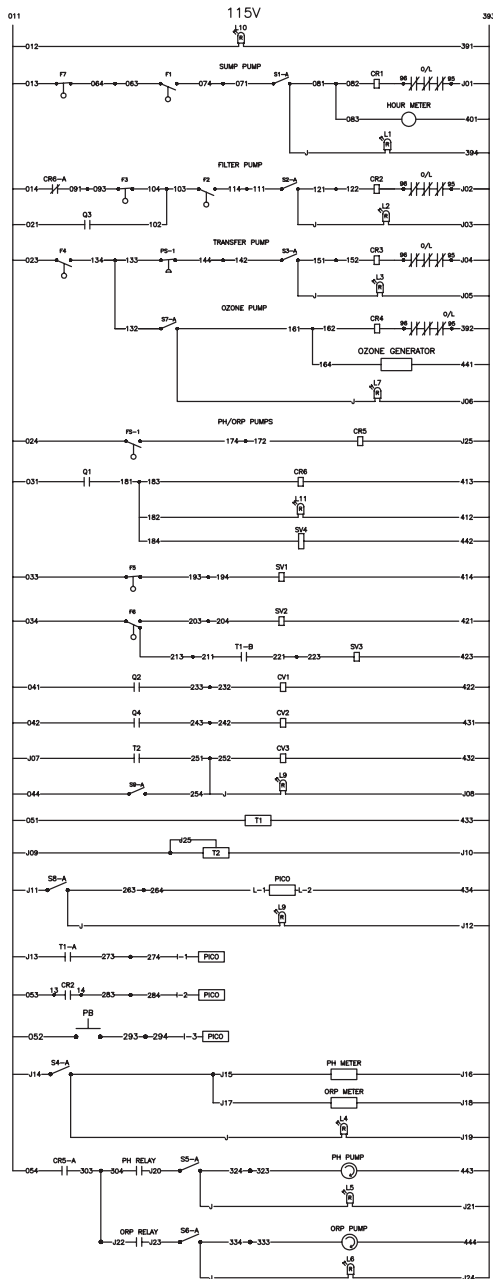
---

## NOTES

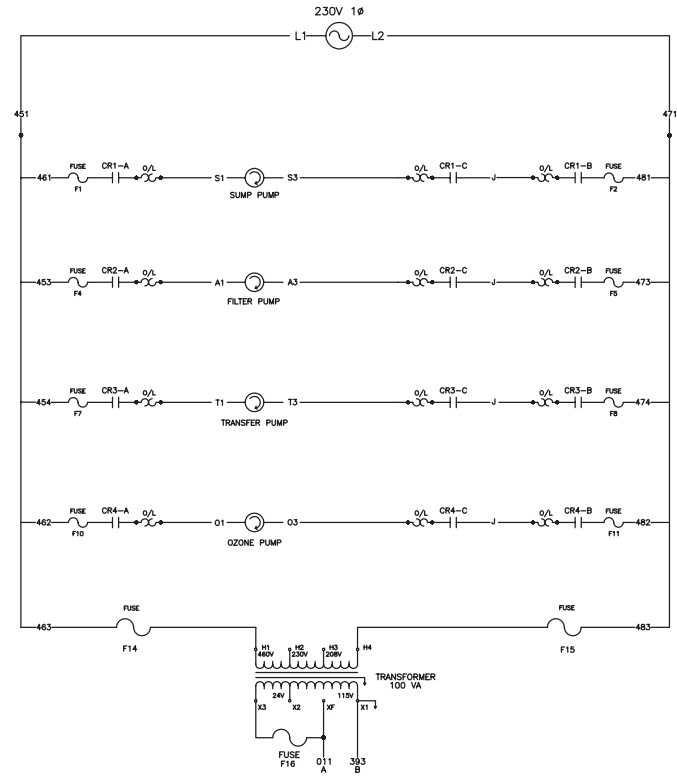
---

# LADDER DIAGRAM (SINGLE PHASE)

LADDER DIAGRAM - WCP-10AB-0M10 1 PHASE 112113 MLK



- LEGEND:
- CR1 = CONTROL RELAY, SUMP PUMP
  - CR2 = CONTROL RELAY, FILTER PUMP
  - CR3 = CONTROL RELAY, TRANSFER PUMP
  - CR5 = CONTROL RELAY, PH/ORP PUMPS
  - CR6 = CONTROL RELAY, TRANSFER PUMP CIRCUIT
  - CV1 = CONTROL VALVE, MULTI-MEDIA VALVE
  - CV2 = CONTROL VALVE, POLISHING VALVE
  - S1 = SWITCH, SUMP PUMP
  - S2 = SWITCH, FILTER PUMP
  - S3 = SWITCH, TRANSFER PUMP
  - S4 = SWITCH, PH/ORP METERS
  - S5 = SWITCH, PH PUMP
  - S6 = SWITCH, ORP PUMP
  - S7 = SWITCH, OZONE PUMP
  - S8 = SWITCH, AUTO-BACKWASH
  - S9 = SWITCH, CLARIFIER AUTO-DRAIN
  - L1 = LIGHT FOR S1
  - L2 = LIGHT FOR S2
  - L3 = LIGHT FOR S3
  - L4 = LIGHT FOR S4
  - L5 = LIGHT FOR S5
  - L6 = LIGHT FOR S6
  - L7 = LIGHT FOR S7
  - L8 = LIGHT FOR S8
  - L9 = LIGHT FOR S9
  - L10 = POWER ON
  - L11 = BACKWASH INDICATOR
  - PS1 = PRESSURE SWITCH, 30-50 PSI, TRANSFER PUMP
  - FS1 = FLOW SWITCH, PH/ORP PUMPS
  - F1 = FLOAT, N.O. PIT, SUMP PUMP
  - F2 = FLOAT, N.O. HOLDING TANK, FILTER PUMP
  - F3 = FLOAT, N.C. RED, PRODUCT TANK, FILTER PUMP
  - F4 = FLOAT, N.C. RED, PRODUCT TANK, TRANSFER PUMP
  - F5 = FLOAT, N.C. RED, PIT, FRESHWATER MAKE-UP
  - F6 = FLOAT, N.O./N.C. RED, PIT, RAINWATER OVERFLOW
  - F7 = FLOAT, N.C. HOLDING TANK, SUMP PUMP
  - SV1 = SOLENOID VALVE, FRESHWATER MAKE-UP
  - SV2 = SOLENOID VALVE, RAINWATER OVERFLOW
  - SV3 = SOLENOID VALVE, TIMER/RECIRCULATION
  - SV4 = SOLENOID VALVE, AB FLOW CONTROL
  - T1A = 24H TIMER, AUTO-BACKWASH, TIMED CLOSED
  - T1B = 24H TIMER, RECIRCULATION, TIMED CLOSED
  - PB1 = PUSH BUTTON SWITCH, INITIATE AUTO-BACKWASH
  - H = HOUR METER, SUMP PUMP



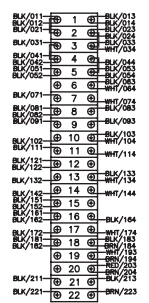
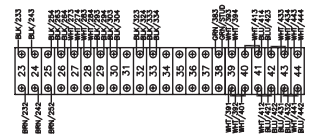
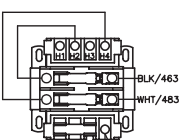
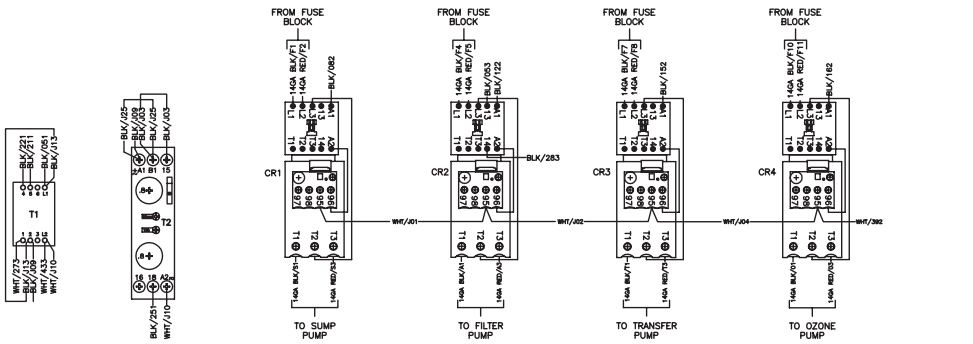
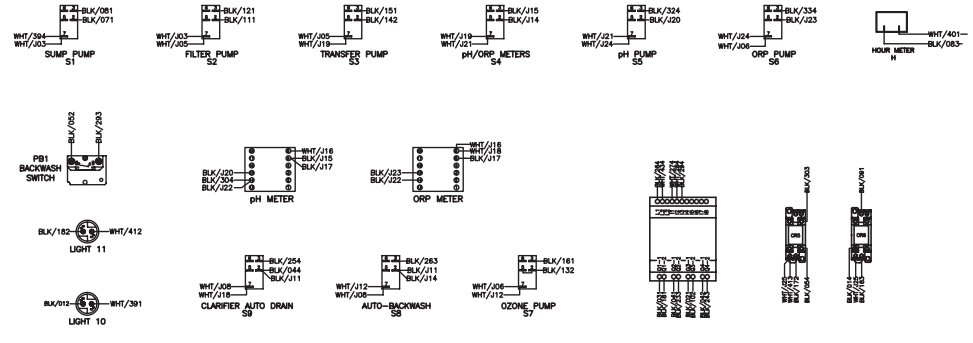
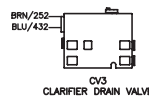
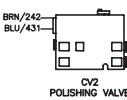
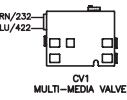
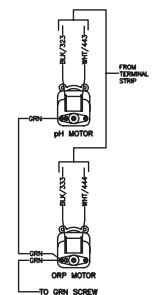
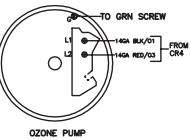
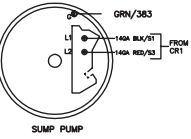
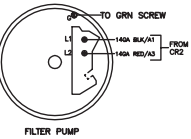
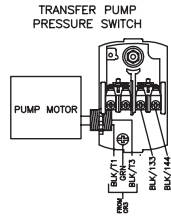
SUMP PUMP							
OL SETTING	OVERLOAD (AMPS)	VOLTAGE	PHASE	PUMP	AMPS	HP	FUSE MOTOR WIRE AWG
9.25	32-1016 (7.2-10.0)	230	1	3-0328	7.4	1.0	15A 14 AWG

FILTER PUMP							
OL SETTING	OVERLOAD (AMPS)	VOLTAGE	PHASE	PUMP	AMPS	HP	FUSE MOTOR WIRE AWG
9.25	32-1016 (7.2 - 10.0)	230	1	3-0328	7.4	1.0	15A 14 AWG

TRANSFER PUMP							
OL SETTING	OVERLOAD (AMPS)	VOLTAGE	PHASE	PUMP	AMPS	HP	FUSE MOTOR WIRE AWG
5.40	32-1015 (4.5-6.3)	230	1	3-0181	5.4	0.75	10A 16 AWG

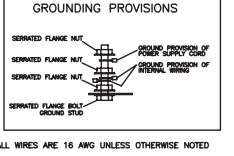
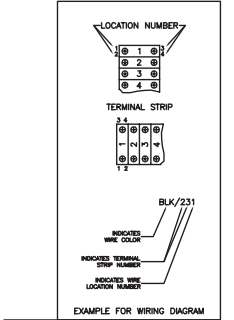
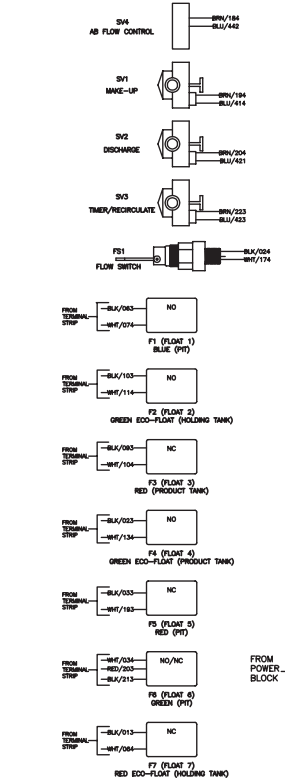
OZONE PUMP							
OL SETTING	OVERLOAD (AMPS)	VOLTAGE	PHASE	PUMP	AMPS	HP	FUSE MOTOR WIRE AWG
5.75	32-1015 (4.5 - 6.3)	230	1	3-0186	4.6	0.5	10A 14 AWG

# WIRE DIAGRAM (SINGLE PHASE)

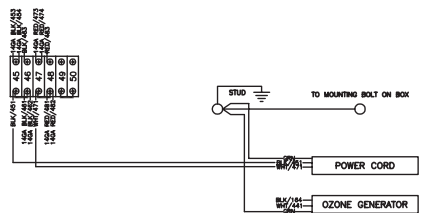
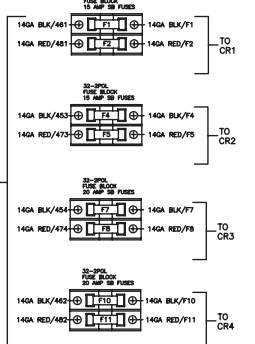


F1	15A KDR
F2	15A KDR
F4	15A KDR
F5	15A KDR
F7	10A KDR
F8	10A KDR
F10	10A KDR
F11	10A KDR
F14	1.0A KDR
F15	1.0A KDR
F16	2.0A FLA

CR1	9.25A
CR2	9.0A
CR3	5.4A
CR4	5.75A

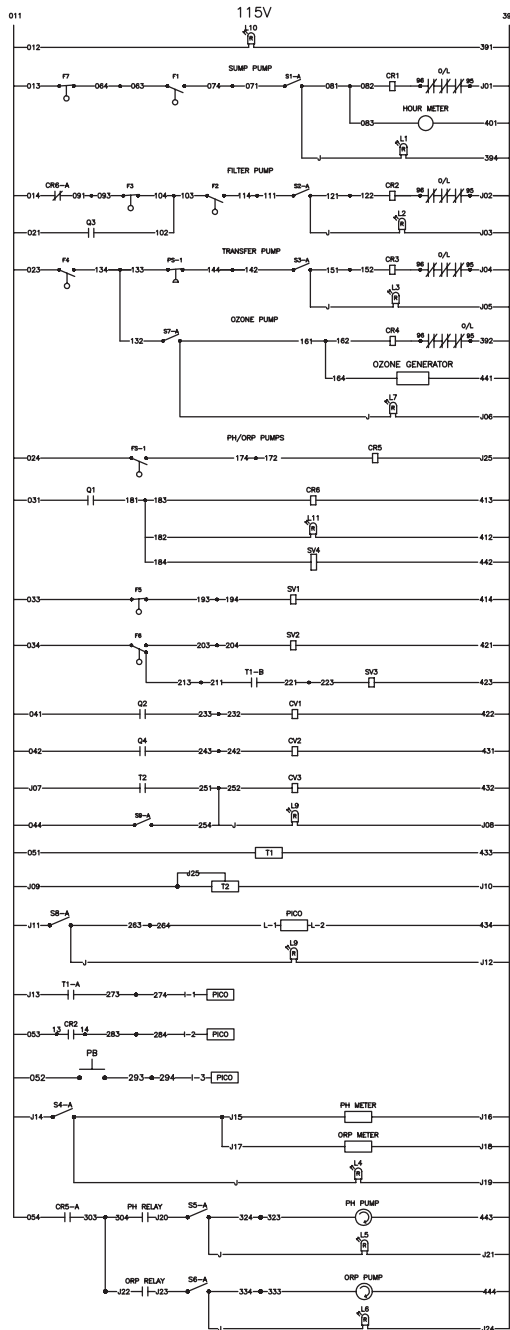


ALL WIRES ARE 16 AWG UNLESS OTHERWISE NOTED



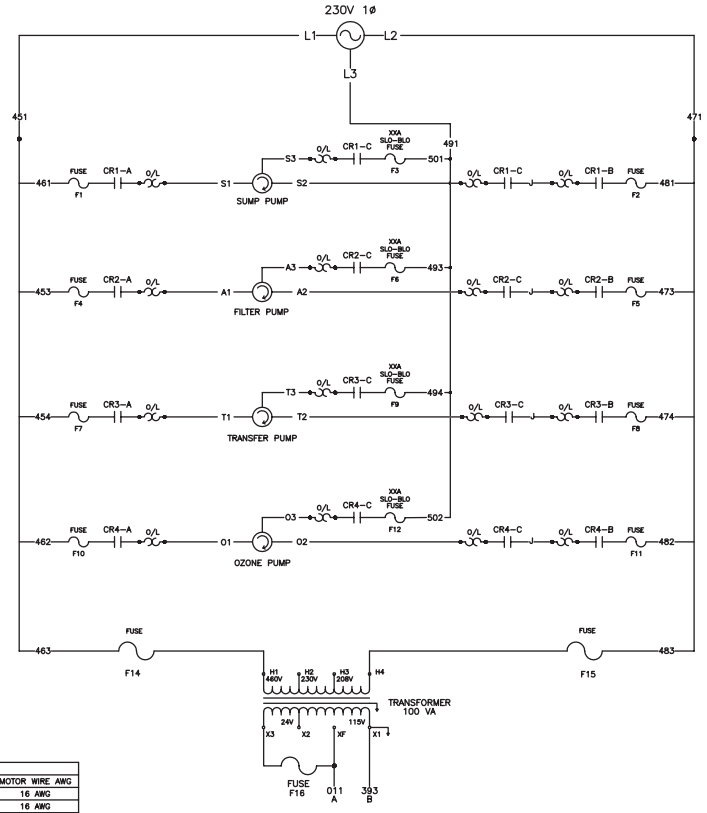
WIRE DIAGRAM WCP-10AB-OM10 1 PHASE 112113 MLK

# LADDER DIAGRAM (THREE PHASE)



**LEGEND:**

- CR1 = CONTROL RELAY, SUMP PUMP
- CR2 = CONTROL RELAY, FILTER PUMP
- CR3 = CONTROL RELAY, TRANSFER PUMP
- CR6 = CONTROL RELAY, PH/ORP PUMPS
- CR8 = CONTROL RELAY, TRANSFER PUMP CIRCUIT
- CV1 = CONTROL VALVE, MULTI-MEDIA VALVE
- CV2 = CONTROL VALVE, POLISHING VALVE
- CV3 = CONTROL VALVE, DRAIN VALVE
- S1 = SWITCH, SUMP PUMP
- S2 = SWITCH, FILTER PUMP
- S3 = SWITCH, TRANSFER PUMP
- S4 = SWITCH, PH/ORP METERS
- S5 = SWITCH, PH PUMP
- S6 = SWITCH, ORP PUMP
- S7 = SWITCH, OZONE PUMP
- S8 = SWITCH, AUTO-BACKWASH
- S9 = SWITCH, CLARIFIER AUTO-DRAIN
- L1 = LIGHT FOR S1
- L2 = LIGHT FOR S2
- L3 = LIGHT FOR S3
- L4 = LIGHT FOR S4
- L5 = LIGHT FOR S5
- L6 = LIGHT FOR S6
- L7 = LIGHT FOR S7
- L8 = LIGHT FOR S8
- L9 = LIGHT FOR S9
- L10 = POWER ON
- L11 = BACKWASH INDICATOR
- PS1 = PRESSURE SWITCH, 30-50 PSI, TRANSFER PUMP
- FS1 = FLOW SWITCH, PH/ORP PUMPS
- F1 = FLOAT, N.O. PIT, SUMP PUMP
- F2 = FLOAT, N.O. HOLDING TANK, FILTER PUMP
- F3 = FLOAT, N.C. RED, PRODUCT TANK, FILTER PUMP
- F4 = FLOAT, N.O. PRODUCT TANK, TRANSFER PUMP
- F5 = FLOAT, N.C. RED, PIT, FRESHWATER MAKE-UP
- F6 = FLOAT, N.O./N.C. RED, PIT, RAINWATER OVERFLOW
- F7 = FLOAT, N.C. HOLDING TANK, SUMP PUMP
- SV1 = SOLENOID VALVE, FRESHWATER MAKE-UP
- SV2 = SOLENOID VALVE, RAINWATER OVERFLOW
- SV3 = SOLENOID VALVE, TIMER/RECIRCULATION
- SV4 = SOLENOID VALVE, AB FLOW CONTROL
- T1A = 24H TIMER, AUTO-BACKWASH, TIMED CLOSED
- T1B = 24H TIMER, RECIRCULATION, TIMED CLOSED
- PB1 = PUSH BUTTON SWITCH, INITIATE AUTO-BACKWASH
- H = HOUR METER, SUMP PUMP



SUMP PUMP							
OL SETTING	OVERLOAD (AMPS)	VOLTAGE	PHASE	PUMP	AMPS	HP	FUSE MOTOR WIRE AWG
3.60	32-1014 (3.5-4.8)	208	3	3-0317	3.6	1	6A 16 AWG
3.60	32-1014 (3.5-4.8)	230	3	3-0317	3.6	1	6A 16 AWG
1.8	32-1011 (1.8-2.5)	460	3	3-0317	1.8	1	3A 16 AWG

FILTER PUMP							
OL SETTING	OVERLOAD (AMPS)	VOLTAGE	PHASE	PUMP	AMPS	HP	FUSE MOTOR WIRE AWG
3.60	32-1014 (3.5-4.8)	208	3	3-0317	3.6	1	6A 16 AWG
3.60	32-1014 (3.5-4.8)	230	3	3-0317	3.6	1	6A 16 AWG
1.8	32-1011 (1.8-2.5)	460	3	3-0317	1.8	1	3A 16 AWG

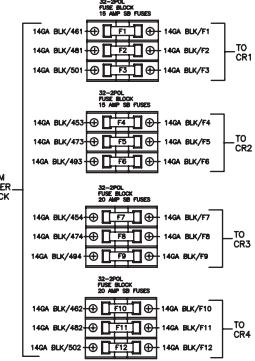
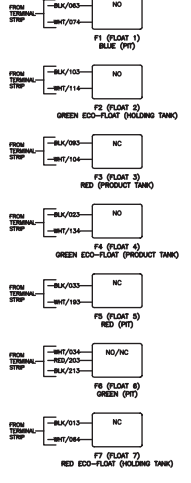
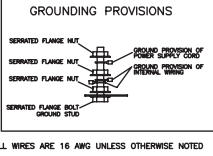
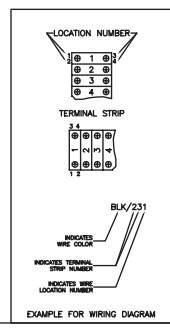
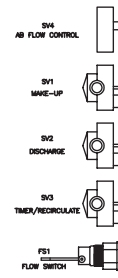
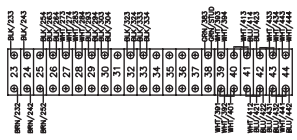
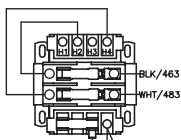
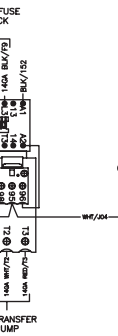
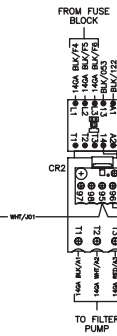
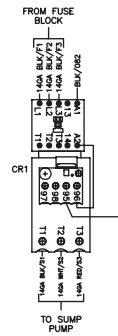
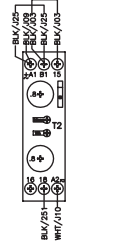
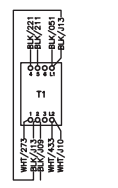
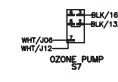
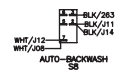
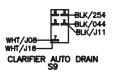
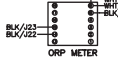
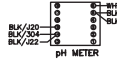
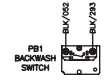
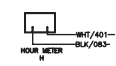
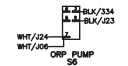
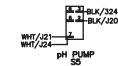
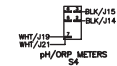
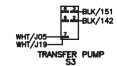
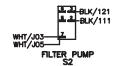
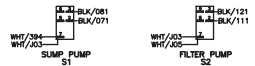
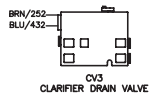
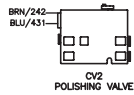
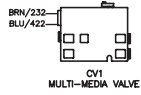
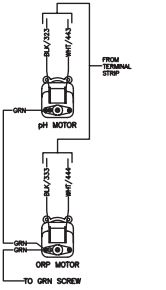
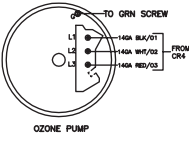
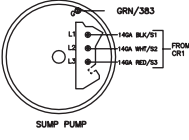
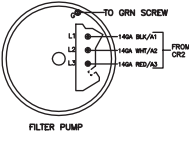
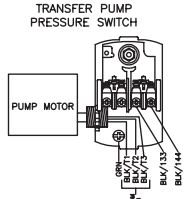
TRANSFER PUMP							
OL SETTING	OVERLOAD (AMPS)	VOLTAGE	PHASE	PUMP	AMPS	HP	FUSE MOTOR WIRE AWG
3.10	32-1013 (2.9-4)	208	3	3-0321	3.1	0.75	6A 16 AWG
3.10	32-1013 (2.9-4)	230	3	3-0321	3.1	0.75	6A 16 AWG
1.55	32-1010 (1.1-1.8)	460	3	3-0321	1.55	0.75	3A 16 AWG

OZONE PUMP							
OL SETTING	OVERLOAD (AMPS)	VOLTAGE	PHASE	PUMP	AMPS	HP	FUSE MOTOR WIRE AWG
2.88	32-1012 (2.3-3.2)	208	3	3-0322	2.3	.5	3A 14 AWG
2.88	32-1012 (2.3-3.2)	230	3	3-0322	2.3	.5	3A 14 AWG
2.88	32-1012 (2.3-3.2)	460	3	3-0322	2.3	.5	3A 14 AWG



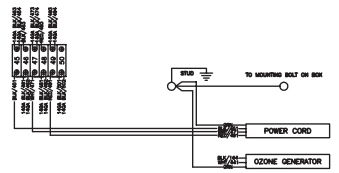
# WIRE DIAGRAM (THREE PHASE)

WIRE DIAGRAM WCP-10AB-OM30 3 PHASE MASTER 112213 MLK



FUSE	230V	460V
F1	6A KCLR	3A KCLR
F2	6A KCLR	3A KCLR
F3	6A KCLR	3A KCLR
F4	6A KCLR	3A KCLR
F5	6A KCLR	3A KCLR
F6	6A KCLR	3A KCLR
F7	6A KCLR	3A KCLR
F8	6A KCLR	3A KCLR
F9	3A KCLR	3A KCLR
F10	3A KCLR	2A KCLR
F11	3A KCLR	2A KCLR
F12	3A KCLR	2A KCLR
F14	1.0A KCLR	0.5A KCLR
F15	1.0A KCLR	0.5A KCLR
F16	1.0A FLA	1.0A FLA

CONTROLLER	330V	460V
CR1	3.5A	1.8A
CR2	3.5A	1.8A
CR3	3.10A	1.55A
CR4	2.98A	2.3A



Manufactured by Mi-T-M  
8650 Enterprise Drive, Peosta IA 52068  
563-556-7484/ Fax 563-556-1235