



PARTS LIST FOR
MH-0075-0D10

This Parts Listing has been compiled for your benefit. You can be assured your Mi-T-M Space Heater was constructed and designed with quality and performance in mind. Each component has been rigorously tested to insure the highest level of acceptance.

The contents of this Parts Listing are based on the latest product information available at the time of publication. Mi-T-M reserves the right to make changes in price, color, materials, equipment, specifications or models at any time without notice.

WARNING

THIS IS A PROFESSIONAL SPACE HEATER. CAUTION SHOULD BE OBSERVED WHEN USING OR REPAIRING THIS UNIT! READ AND FOLLOW THE SAFETY WARNINGS LISTED BELOW BEFORE ATTEMPTING ANY REPAIRS ON THIS SPACE HEATER!

SAFETY WARNINGS

1. NEVER alter or modify the equipment. Use only genuine Mi-T-M parts for repair of your space heater. Failure to do so can cause hazardous operating conditions and will VOID warranty.
2. Be thoroughly familiar with controls.
3. Before servicing the unit, turn unit off, and allow the unit to cool down. Do not make repairs while the unit is running. Service in a clean, dry, flat area. Block the wheels to prevent the unit from moving. Be especially careful to properly dispose of any flammable materials.

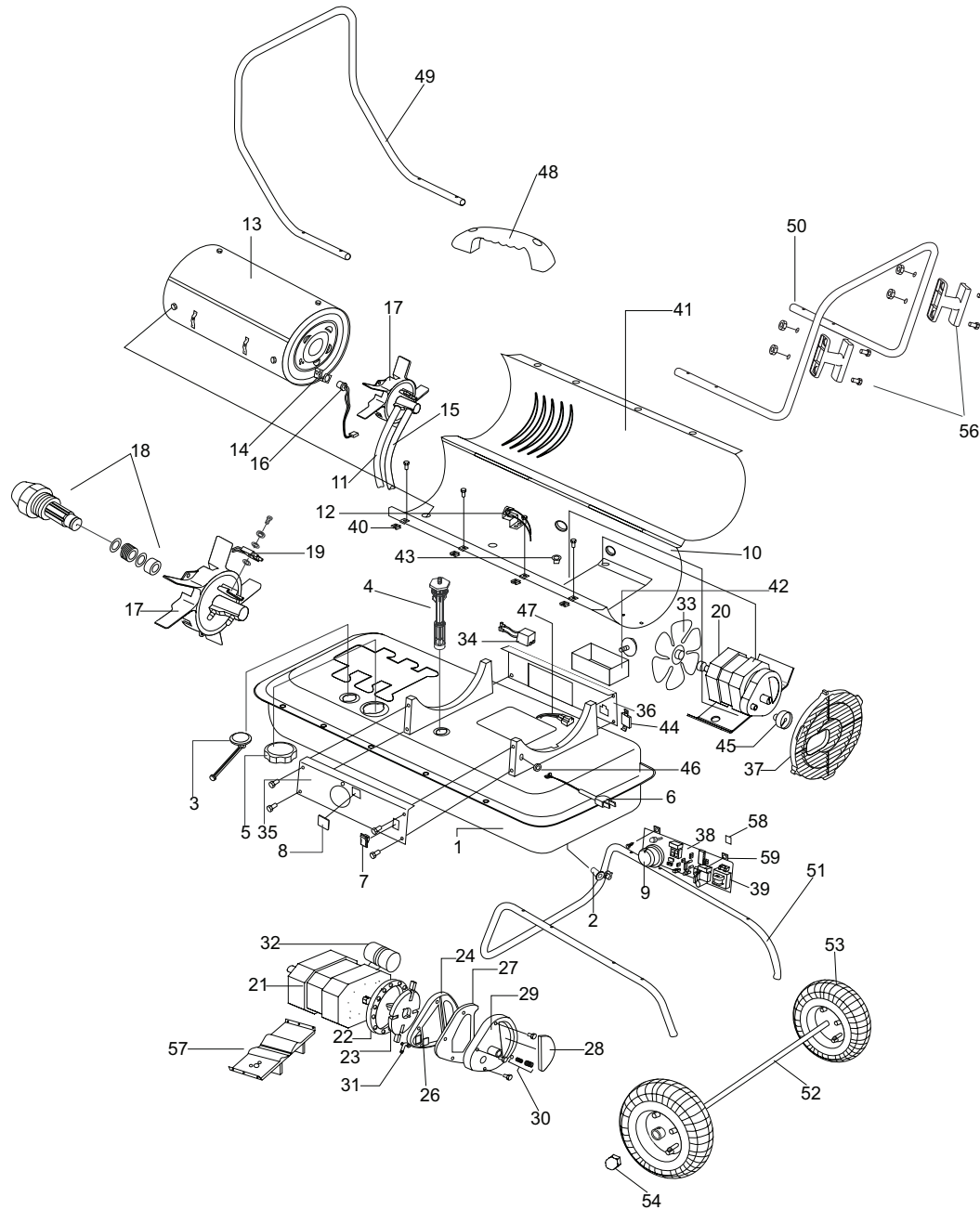
Table of Contents

SPECIFICATIONS.....3
FRAME ASSEMBLY4

SPECIFICATIONS

MODEL NUMBER	MH-0075-0D10
Output Rating (BTU/Hr):	75,000
Tank Capacity (gal)	5.0
Consumption (gal. per Hr)	.56
Pump Pressure (PSI):	4.0
Electric Requirements:	120V / 60HZ
Amperage (normal run)	1.5
Net Weight (Lbs):	28
Size (L x W x H)	30" x 12" x 15"

FRAME ASSEMBLY



MH-0070-0D10 051115

FRAME ASSEMBLY

ITEM NO.	ITEM DESCRIPTION	PART NO.	ITEM NO.	ITEM DESCRIPTION	PART NO.	ITEM NO.	ITEM DESCRIPTION	PART NO.
1	FUEL TANK ASSEMBLY	68-3252	21	MOTOR	N/A	42	STORAGE BOX	N/A
2	DRAIN PLUG	68-3001	22	PUMP BODY	68-3041	43	BUSHING GROMMET	68-3070
3	FUEL GAUGE ASSEMBLY	68-3002	23	CARBON ROTOR SEE ROTOR KIT	N/A	44	SOCKET COVER	N/A
4	FUEL FILTER ASSEMBLY	68-3004	24	END PUMP COVER	68-3045	45	AIR PRESSURE GAUGE	68-3071
5	FUEL CAP ASSEMBLY	68-3255	26	LINT FILTER SEE 68-3046	N/A	46	CORD BUSHING	68-3072
6	POWER CORD	68-3006	27	OUTPUT FILTER SEE 68-3046	N/A	47	ELECTRIC OUTLET	N/A
7	POWER SWITCH	68-3008	28	INLET FILTER SEE 68-3046	N/A	48	HANDLE	68-6114
8	WINDOW DISPLAY	N/A	29	END FILTER COVER	68-3047	49	FRONT HANDLE	N/A
9	THERMOSTAT CONTROL KNOB	68-3010	30	PLUG/PUMP ADJUSTMENT KIT	68-3048	50	REAR HANDLE	N/A
10	LOWER SHELL	N/A	31	NIPPLE	68-3049	51	WHEEL SUPPORT FRAME	N/A
11	AIR LINE	68-3011	32	CAPACITOR	68-3234	52	WHEEL AXLE	N/A
12	THERMOSTAT LIMIT CONTROL	68-3015	33	FAN ASSEMBLY	68-3052	53	WHEEL	N/A
13	COMBUSTION CHAMBER ASSEMBLY	68-3017	34	IGNITOR	68-3056	54	WHEEL NUT	N/A
14	PHOTOCELL BRACKET	68-3021	35	RIGHT SIDE COVER	68-3057	56	CORD WRAP	68-3075
15	FUEL LINE	68-3022	36	LEFT SIDE COVER	68-3061	57	MOTOR SUPPORTER	68-3243
16	PHOTOCELL ASSEMBLY	68-3026	37	FAN GUARD	68-3064	58	ROOM TEMPERATURE SENSOR	68-3169
17	BURNER HEAD ASSEMBLY	68-3027	38	MAIN PCB ASSEMBLY	68-3066	59	PCB SUPPORT BRACKET	68-3170
18	NOZZLE KIT	68-3031	39	FUSE	68-3068		HARDWARE KIT	68-3078
19	SPARK PLUG	68-3035	40	CLIP NUT	68-3069		FILTER KIT (Inc. 26-28)	68-3046
20	MOTOR AND PUMP ASSEMBLY	68-3230	41	UPPER SHELL	68-3077A74		ROTOR KIT (Inc. 23, BLADE & INSERT)	68-3043

Manufactured by Mi-T-M
50 Mi-T-M Drive, Peosta IA 52068
563-556-7484/ Fax 563-556-1235