

**OPERATOR'S MANUAL FOR**  
***HDC-SERIES***  
**HOT WATER**  
**PRESSURE WASHERS**



**CAUTION**

**RISK OF INJURY!**

**READ MANUAL BEFORE OPERATING!**

**This manual is an important part of the pressure washer and must remain with the unit when you sell or rent it!**

# Table of Contents

INTRODUCTION .....	3
<b>IMPORTANT SAFETY INSTRUCTIONS .....</b>	<b>4-9</b>
RISK OF EXPLOSION OR FIRE .....	4-5
RISK OF ASPHYXIATION .....	5
RISK OF INJECTION OR SEVERE CUTTING INJURY .....	6
RISK OF ELECTROCUTION OR ELECTRICAL SHOCK .....	6
RISK OF BURNS .....	7
RISK OF BURSTING .....	7
RISK FROM MOVING PARTS .....	7
RISK OF BODILY INJURY .....	8-9
<b>FEATURES &amp; LISTINGS .....</b>	<b>10-11</b>
<b>INSTALLATION &amp; PREPARATION .....</b>	<b>12-16</b>
ATTIRE .....	12
SET-UP .....	12
ENGINE/BURNER FUEL TANKS .....	13
DUAL LANCE ASSEMBLY WITH ADJUSTABLE PRESSURE .....	13
QUICK-CONNECT NOZZLES .....	14
NOZZLE CONNECTION .....	14
WATER SUPPLY .....	15
UNLOADER .....	16
PRE-START INSPECTION PROCEDURES .....	16
<b>OPERATING INSTRUCTIONS .....</b>	<b>18-20</b>
FLUSHING THE SYSTEM .....	18
START-UP/COLD WATER OPERATION .....	18
HOT WATER OPERATION .....	19
HIGH PRESSURE DETERGENT .....	19
SHUTDOWN .....	19
OPTIONS .....	20
<b>STORAGE &amp; MAINTENANCE .....</b>	<b>21-24</b>
SPECIFIC MAINTENANCE .....	21-23
MAINTENANCE-SEASONAL .....	24
<b>TROUBLESHOOTING .....</b>	<b>25-27</b>
<b>MAINTENANCE CHART .....</b>	<b>28</b>
<b>STATEMENT OF WARRANTY .....</b>	<b>29-31</b>

**⚠ WARNING**

**Warning:** This product contains lead, a chemical known to the State of California to cause birth defects or other reproductive harm.

*Wash your hands after handling this product.*

**⚠ WARNING**

**The engine exhaust from this product contains chemicals known to the State of California to cause cancer, birth defects or other reproductive harm.**

**⚠ WARNING**

This product contains one or more chemicals known to the State of California to cause cancer and birth defects or other reproductive harm.

## INTRODUCTION

Congratulations on the purchase of your new hot water pressure washer! You can be assured your hot water pressure washer was constructed and designed with quality and performance in mind. Each component has been rigorously tested to ensure the highest level of acceptance.

This operator's manual was compiled for your benefit. By reading and following the simple safety, installation, operation, maintenance and troubleshooting steps described in this manual, you will receive years of trouble free operation from your new hot water pressure washer. The contents of this manual are based on the latest product information available at the time of publication. The manufacturer reserves the right to make changes in price, color, materials, equipment, specifications or models at any time without notice.

### ! IMPORTANT !

These paragraphs are surrounded by a "SAFETY ALERT BOX". This box is used to designate and emphasize Safety Warnings that must be followed when operating this pressure washer. Accompanying the Safety Warnings are "signal words" which designate the degree or level of hazard seriousness. The "signal words" used in this manual are as follows:

- DANGER:** Indicates an imminently hazardous situation which, if not avoided, **WILL** result in death or serious injury.
- WARNING:** Indicates a potentially hazardous situation which, if not avoided, **COULD** result in death or serious injury.
- CAUTION:** Indicates a potentially hazardous situation which, if not avoided, **MAY** result in minor or moderate injury.



The symbols set to the left of this paragraph are "Safety Alert Symbols." These symbols are used to call attention to items or procedures that could be dangerous to you or other persons using this equipment.



**ALWAYS PROVIDE A COPY OF THIS MANUAL TO ANYONE USING THIS EQUIPMENT. READ ALL INSTRUCTIONS BEFORE OPERATING THIS PRESSURE WASHER AND ESPECIALLY POINT OUT THE "SAFETY WARNINGS" TO PREVENT THE POSSIBILITY OF PERSONAL INJURY TO THE OPERATOR. ONLY TRAINED OPERATORS SHOULD USE THIS PRODUCT!**



Once the unit has been removed from the box, immediately write in the serial number of your unit in the space provided below.

**SERIAL NUMBER** \_\_\_\_\_



Inspect for signs of obvious or concealed freight damage. If damage does exist, file a claim with the transportation company immediately. Be sure that all damaged parts are replaced and the mechanical and electrical problems are corrected prior to operation of the unit. If you require service, contact your Customer Service Representative.

Please have the following information available for all service calls:

1. Model Number
2. Serial Number
3. Date and Place of Purchase



## IMPORTANT SAFETY INSTRUCTIONS

WARNING: When using this product, precautions should always be observed, including the following.  
 READ ALL SAFETY WARNINGS BEFORE USING PRESSURE WASHER

HAZARD	POTENTIAL CONSEQUENCE	PREVENTION
<p style="text-align: center;"><b>RISK OF EXPLOSION OR FIRE</b></p> <div style="text-align: center;">     </div>	<p>Serious injury or death may occur from normal sparks in the multiple ignition sources or engine/burner exhaust.</p> <p>Serious injury or death may occur as a result of improper fueling.</p>    <p>Serious injury or death may occur from the battery.</p>	<p>Always operate pressure washer in a well ventilated area free of flammable vapors, combustible dust, gases or other combustible materials.</p> <p>Do not store the pressure washer near an open flame or any equipment such as a stove, furnace, water heater, etc., which utilizes a pilot light or sparking device.</p> <p>Do not use this pressure washer to spray flammable material!</p> <p>Do not smoke while filling fuel tanks.</p> <p>Never fill the fuel tanks while the engine is running or hot. Allow the engine to cool two minutes before refueling.</p> <p>Do not refuel indoors or in a poorly ventilated area.</p> <p>Always refuel slowly to avoid the possibility of spilled fuel which may cause a risk of fire.</p> <p><b>Engine Fuel Tank:</b>        If using a Gasoline Engine, refuel with gasoline only. Do not use diesel or fuel oil.</p> <p><b>Burner Fuel Tank:</b>        When refueling the Burner Fuel Tank, use No. 1 or No. 2 fuel oil/diesel or kerosene. Do not use gasoline, crankcase drainings, or oil containing gasoline or solvents.</p> <p>Do not operate the unit if gasoline or diesel fuel is spilled. Wipe the pressure washer clean and move it away from the spill. Avoid creating any ignition until the gasoline or diesel fuel has evaporated.</p> <p>When the battery is being activated, hydrogen and oxygen gases in the battery are extremely explosive. Keep open sparks and flames away from the battery at all times, especially when charging the battery.</p> <p>Be certain to disconnect the battery ground terminal before servicing. When disconnecting the cable from the battery, start with the negative terminal, and when connecting them, start with the positive cable.</p> <p>When charging the battery, remove the battery vent plugs.</p> <p>Use only a voltmeter or hydrometer to check a battery charge.</p> <p><b>DO NOT</b> jump start the battery unless both batteries are of equal voltage and amperage.</p>

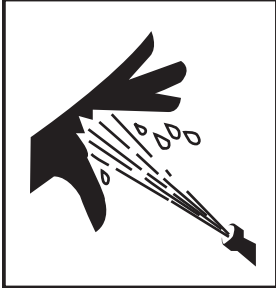

## IMPORTANT SAFETY INSTRUCTIONS

READ ALL SAFETY WARNINGS BEFORE USING PRESSURE WASHER

HAZARD	POTENTIAL CONSEQUENCE	PREVENTION
<p style="text-align: center;"><b>RISK OF FIRE</b></p> 	<p>Serious injury or death may occur from a ground fire caused by a muffler spark.</p> <p>Serious injury or death may occur if system safety's are not properly maintained.</p>	<p>A spark arrester must be added to the muffler of this engine when using on land covered with any flammable agricultural crop (hay and grain), and if they are used in or near brush or forested areas. The arrester must be maintained in effective working order by the operator. In the state of California, the above is required by law. (Section 4442 and 4443 of the California Public Resources Code.) Other states may have similar laws. Federal laws apply on Federal lands.</p> <p>This pressure washer has a Safety Relief Valve which should never be altered, modified, removed or made inoperative. If the device fails, replace immediately with genuine manufacturer replacement part.</p>
<p style="text-align: center;"><b>RISK OF ASPHYXIATION</b></p> 	<p>Serious injury or death may occur from inhaling engine/burner exhaust or dangerous vapors. The engine exhaust from this product contains chemicals known to the State of California to cause cancer, birth defects, or other reproductive harm.</p>	<p>Never operate this pressure washer in an enclosed area. Always make certain there is adequate ventilation (fresh outside air) for breathing and combustion. This will prevent the buildup of dangerous carbon monoxide gases. Beware of poorly ventilated areas, or areas with exhaust fans which can cause poor air exchange.</p> <p>Follow all safety instructions provided with the materials you are spraying. Use of a respirator may be required when working with some materials. Do not use this pressure washer to dispense hazardous detergents.</p>


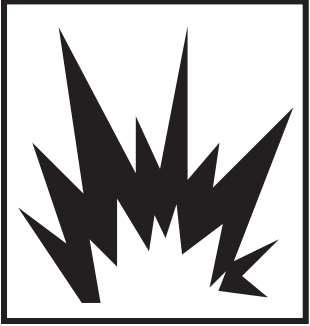

## IMPORTANT SAFETY INSTRUCTIONS

READ ALL SAFETY WARNINGS BEFORE USING PRESSURE WASHER

HAZARD	POTENTIAL CONSEQUENCE	PREVENTION
<p style="text-align: center;"><b>RISK OF INJECTION OR SEVERE CUTTING INJURY</b></p> 	<p>Serious injury or death could occur from high pressure spray penetrating the skin.</p>	<p>Keep clear of nozzle and spray! Never put your hand, fingers or body directly over the spray nozzle.</p> <p>Never point the high pressure discharge spray at yourself or anyone else. This equipment is to be used only by trained operators.</p> <p>Always keep operating area clear of all persons.</p> <p>Do not allow children to operate this unit.</p> <p>Seek emergency medical care if the spray appears to have penetrated the skin! Do not treat as a simple cut!!</p> <p>High pressure hoses and fuel lines should be inspected daily for signs of wear. If evidence of failure exists, promptly replace all suspect hoses and fuel lines to prevent the possibility of injury from the high pressure spray. If a hose or fitting is leaking, Never place your hand directly on the leak</p> <p>Never operate the gun with the trigger wired in the open position. To prevent accidental discharge, the trigger gun should be securely locked when not in use.</p> <p>Before removing the spray nozzle or servicing the unit, always shut off the unit and trigger the gun to release trapped pressure. (Even after you shut off the unit, there is high pressure water left in the pump, hose and gun until you release it by triggering the gun.)</p>
<p style="text-align: center;"><b>RISK OF ELECTROCUTION OR ELECTRICAL SHOCK</b></p> 	<p>Serious injury or death may occur from contact with electricity.</p>	<p>Do not direct spray on or into electrical installations of any kind! This includes electrical outlets, light bulbs, fuse boxes, transformers, the unit itself, etc.</p> <p>Do not allow metal components of the pressure washer to come in contact with live electrical components.</p>

## IMPORTANT SAFETY INSTRUCTIONS

READ ALL SAFETY WARNINGS BEFORE USING PRESSURE WASHER


HAZARD	POTENTIAL CONSEQUENCE	PREVENTION
<p style="text-align: center;"><b>RISK OF BURNS</b></p> 	<p>Serious injury may occur from touching the engine, muffler or heat exchanger. These areas can remain hot for some time after the pressure washer is shutdown.</p>	<p>Never allow any part of your body to contact the engine, muffler or heat exchanger.</p>
<p style="text-align: center;"><b>RISK OF BURSTING</b></p> 	<p>Serious injury may occur from a pressure washer malfunction or exploding accessories if incorrect system components, attachments or accessories are used.</p> <p>Serious injury or death may occur if attempting to start the pressure washer when the pump is frozen.</p>	<p>Never make adjustments to the factory set pressures.</p> <p>Never exceed manufacturers maximum allowable pressure rating of attachments.</p> <p>Do not allow any hoses to make contact with the engine, muffler, or heat exchanger to prevent the possibility of bursting. Avoid dragging the hoses over abrasive surfaces such as cement.</p> <p>Use only manufacturer recommended repair parts for your pressure washer.</p> <p>In freezing temperatures, the unit must always be warm enough to ensure there is no ice formation in the pump. Do not start the pressure washer if it has been transported in an open or non heated vehicle without first allowing the entire unit to thaw.</p>
<p style="text-align: center;"><b>RISK FROM MOVING PARTS</b></p> 	<p>Serious injury may occur to the operator from moving parts on the pressure washer.</p>	<p>Before making any adjustments, be certain the engine is turned off. Be certain to disconnect the battery ground terminal before servicing and the ignition cable(s) is removed from the spark plug(s). Turning the machinery over by hand during adjustment or cleaning might start the engine and machinery with it.</p> <p>Do not operate the unit without all protective covers in place.</p>





## IMPORTANT SAFETY INSTRUCTIONS

READ ALL SAFETY WARNINGS BEFORE USING PRESSURE WASHER

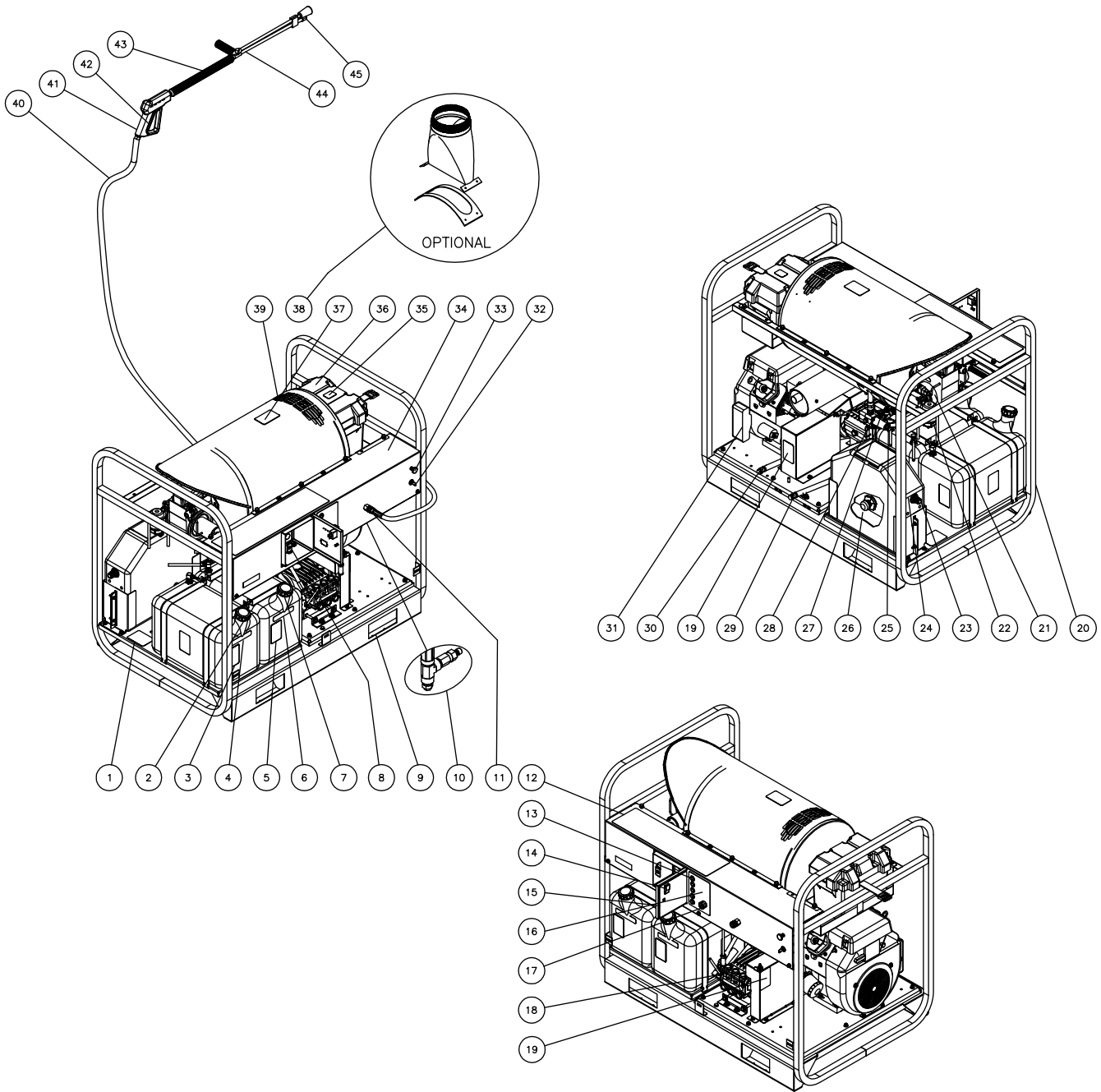
HAZARD	POTENTIAL CONSEQUENCE	PREVENTION
<b>RISK OF BODILY INJURY</b> 	Injury may occur from the pressure washer.	<p>Always hold on firmly to the gun/lance assembly when starting and operating the unit. Failure to do so can cause the lance to fall and whip dangerously.</p> <p>Know how to stop the pressure washer and bleed pressures quickly. Be thoroughly familiar with controls.</p> <p>Follow the maintenance instructions specified in the manual.</p> <p>Do not leave pressurized unit unattended. Shut off the pressure washer and release trapped pressure before leaving.</p> <p>Do not operate the unit if you see any fuel, oil or water leaks from the machine. Do not resume operation until the unit has been inspected and repaired by a qualified service person.</p> <p>Never run the unit with the governor disconnected or operate at excessive speeds.</p> <p>Place unit in a clean, dry, flat area for servicing. Before servicing the unit: turn the unit off, relieve the water pressure from the trigger gun, and allow the unit to cool down. Service in clean, dry, flat area. If applicable, block wheels to prevent unit from moving.</p> <p>Do not move the unit by pulling on the hose.</p>



**!SAVE THESE INSTRUCTIONS!**



# HDC FEATURES



HDC FEATURES-032905-RZ

## HDC FEATURES LISTING

1. Decal- Data Plate
2. Gas Tank- Red / 10 Gallon
3. Decal- Caution: Risk of Fire- Do not use Diesel or Fuel Oil
4. Decal- Gasoline Only
5. Decal- Caution: Risk of Fire- Do not use Gasoline
6. Decal- Diesel Only
7. Fuel Tank- Green / 10 Gallon
8. Hinged Electric Box
9. Fork Truck Access
10. Pressure Relief Valve
11. Water Outlet
12. Decal- Warning/Caution/Operation
13. Quick Connect Nozzle Holder
14. Burner Rocker Switch
15. Decal- Electric Panel
16. Decal- Nozzles
17. Detergent Valve
18. High Pressure Pump
19. Decal- Warning: Risk of Injury- Exposed Pulleys
20. Power Coated Roll Cage Frame Assembly
21. Burner Air Adjustment
22. Fuel Filter / Water Separator
23. Water Inlet
24. Float Tank
25. Heat Dump Valve
26. Water Strainer
27. Pressure Switch
28. Unloader Valve
29. Pump Oil Drain
30. Engine Oil Drain
31. Engine
32. Engine Key Switch
33. Engine Choke
34. Control Panel
35. Decal- Caution: Disconnect Battery
36. Battery and Battery Box
37. Decal- Warning: Hot Surfaces
38. Stack Adapter Kit- AW-5740-0000  
Stack Adapter- 50-0170  
Stack Adapter Gasket- 33-0356
39. Heat Exchanger Outlet
40. High Pressure Hose
41. Trigger Gun
42. Trigger Safety Lock
43. Insulated Lance
44. Adjustable Pressure Dual Lance
45. High Pressure Nozzle

---

## HDC OPTIONS LISTING

<u>PART #</u>	<u>DESCRIPTION</u>
HX-0130	3-WAY BALL VALVE
HX-0143	TRAPPING UNLOADER (HDC-3005/3505)
HX-0145	ADJUSTABLE THERMOSTAT
HX-0146	HOUR METER
HX-0147	LIFTING HOOK

## INSTALLATION & PREPARATION



### ATTIRE:

Proper attire is essential to your safety. It is advised to utilize whatever means necessary to protect eyes, ears, and skin. Additional safety attire (such as respiratory mask) may be required when using detergent cleaning agents with this washer.



### **DANGER**

#### **RISK OF EXPLOSION OR FIRE!**

- WHEN CHARGING BATTERIES, THEY GENERATE A HIGHLY EXPLOSIVE HYDROGEN GAS. A SPARK COULD CAUSE AN EXPLOSION OR FIRE!
- DO NOT JUMP START BATTERY UNLESS BOTH BATTERIES ARE OF EQUAL VOLTS & AMPS.
- DO NOT SMOKE OR ALLOW SPARKS OR FLAMES NEAR THE BATTERY.
- DO NOT PLACE UNIT IN AN AREA WHERE FLAMMABLE GAS VAPORS MAY BE PRESENT. A SPARK COULD CAUSE AN EXPLOSION OR FIRE.

#### **RISK OF UNIT BURSTING!**

**DO NOT STORE/OPERATE UNIT IN FREEZING ENVIRONMENTS!**

### SET-UP:

1. This unit should only be placed on a level surface to ensure proper lubrication for the engine and water pump while operating. Never spray water directly on the unit.
2. Do not use unit in an area:
  - a. with insufficient ventilation.
  - b. where there is evidence of oil, gas or fuel leaks.
  - c. where flammable gas vapors may be present.This unit has multiple ignition sources that could cause an explosion or fire.
3. If using a wheel kit, be certain to block the wheels to prevent the unit from moving while operating.
4. Do not allow the unit to be exposed to rain, snow or freezing temperatures. If any part of the unit becomes frozen, excessive pressure may build up in the unit which could cause it to burst resulting in possible serious injury to the operator or bystanders.
5. Pump oil level should be checked before each use. Check the oil level indicator on the pump crankcase. Make certain the oil is in the center of the oil sight glass. If the level appears to be low, fill with SAE20 or 30 non-detergent pump oil.
6. Your pressure washer is equipped with an Electric Starter. On initial start-up, wear proper eye and skin protection when filling the battery with acid. Fully charge the battery to allow Electric Starter to function.
7. Battery Specifications:
  - RV / Marine Dual Purpose Deep Cycle / Cranking Battery.
  - BCI Group 24DC
  - Battery Box Size: 11" L x 7 1/2" W x 8 1/4" H (Battery can be slightly taller and still be covered by lid.)
  - Battery should have lifting strap for easy installation.



### **WARNING**

#### **RISK OF ASPHYXIATION!**

**USE THIS PRODUCT ONLY IN WELL VENTILATED AREAS!  
DO NOT OPERATE IN AN ENCLOSED AREA. THE EXHAUST CONTAINS CARBON MONOXIDE, A POISONOUS, ODORLESS AND INVISIBLE GAS. BREATHING THIS GAS CAN CAUSE SERIOUS INJURY, ILLNESS & POSSIBLE DEATH.**

## INSTALLATION & PREPARATION

### ENGINE/BURNER FUEL TANKS:

1. Review "Risk of Explosion or Fire" warnings, pgs. 4-5, before fueling.
2. Locate the Safety Decals on your unit and heed their warnings.
3. **Engines:** See Engine Owner's Manual for fuel requirements.  
**Burner Fuel:** When filling tank, use No. 1 or No 2 fuel oil/diesel or kerosene.
4. Check the engine oil level before starting the engine. (See Engine Manual.)
5. Refer to the Engine Manual supplied with this unit for proper engine adjustment procedures.
6. **Review the Engine Manual accompanying this pressure washer for correct engine start-up and maintenance procedures.**



### **DANGER**

#### **RISK OF FIRE!**

- DO NOT SMOKE WHILE FUELING!
- DO NOT FILL THE FUEL TANKS WHILE UNIT IS RUNNING OR HOT. ALLOW UNIT TO COOL FOR TWO MINUTES BEFORE REFUELING.
- DO NOT FILL FUEL TANKS TO POINT OF OVERFLOWING. ALLOW APPROXIMATELY 1/4" OF TANK SPACE FOR FUEL EXPANSION.



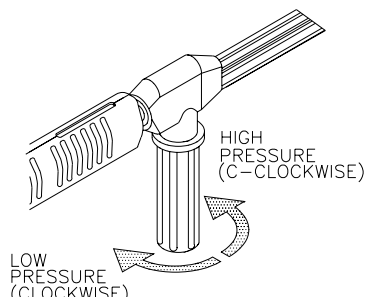
### **WARNING**

- #### **RISK OF EXPLOSION OR FIRE!**
- ALWAYS STORE FUEL AWAY FROM THE WASHER WHILE THE UNIT IS RUNNING OR HOT.

### DUAL LANCE ASSEMBLY WITH ADJUSTABLE PRESSURE:

This unit features a dual lance assembly with adjustable pressure which allows the user to select a high or low pressure spray. Simply rotate the adjustable grip on the dual lance to achieve the desired pressure selection.

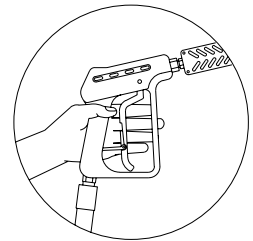
1. Selection of high pressure can be achieved by turning the adjustable grip on the Dual Lance assembly **counterclockwise**.
2. Selection of low pressure can be achieved by turning the adjustable grip on the Dual Lance **clockwise**.



### **WARNING**

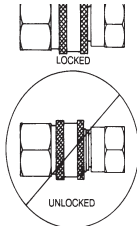
#### **RISK OF INJECTION CAUSING SEVERE INJURY!**

- THE TRIGGER GUN SHOULD ALWAYS BE LOCKED IN THE OFF POSITION WHEN NOT IN USE!
- NEVER LOOK DIRECTLY AT THE NOZZLE UNLESS IT IS DISCONNECTED FROM THE TRIGGER GUN/DUAL LANCE ASSEMBLY!

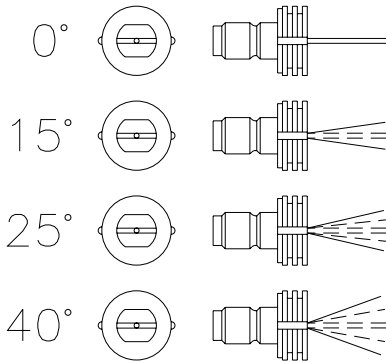


## INSTALLATION & PREPARATION

### NOZZLE LOCK



### NOZZLES



### QUICK-CONNECT NOZZLES:

Various nozzles may be quick-connected into the end of the dual lance to change the spray pattern. The detergent nozzle has been pre-installed at the factory. When using quick-connects (Q.C.), be certain the connection is securely locked as shown at right. If not, the high pressure water may shoot the nozzle from the lance, causing severe injury or serious damage. To determine spray fan, refer to the actual number stamped on the nozzle. The first two digits indicate the spray fan degree: 00=0°, 15=15°, 25=25°, 40=40°, 65=65°.

#### 1. The 0° nozzle (RED):

This is a blasting nozzle. It delivers a very concentrated stream of water. Be cautious when using the straight narrow stream. It is not recommended for use on painted or wood surfaces or items attached with adhesive backing. Uses: Removing weeds from sidewalk cracks, stubborn stains from concrete, masonry, aluminum and steel, caked mud from equipment, and cleaning lawn mower undersides.

#### 2. The 15° nozzle (YELLOW):

This is a chiseling nozzle. The spray should be directed at a 45° angle to the surface and used like a scraper to remove paint, grease and dirt. Uses: Surface preparation (removing mildew stains and paint chips).

#### 3. The 40° nozzle (WHITE):

This is a wash nozzle. This wide spray pattern disperses the water pressure over a large area and is recommended for moderate washing. Uses: Washing aluminum siding, cleaning windows, washing vehicles, spraying sidewalks, driveways, and patios.

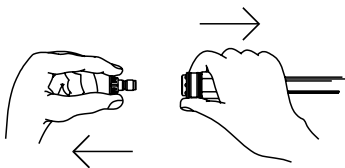
#### 4. The 25° nozzle (GREEN):

This is a flushing nozzle. This pattern is best suited for flushing dirt, mud, and grime. Uses: Wet sweeping leaves from walks, curbs and driveways, cleaning stable floors, washing swimming pool bottoms, degreasing engines.

#### 5. The 65° nozzle: (included in dual lance.)

This is a detergent nozzle. The broad spray pattern distributes solution over vast areas. Uses: Detergent application, misting or rinsing.

### NOZZLE CONNECTION



### NOZZLE CONNECTION:

1. Ensure the trigger gun is locked in the **OFF** position.
2. Quick-connect nozzles can be connected or disconnected from the dual lance assembly by retracting the locking ring on the quick-connect fitting. When connecting the desired nozzle, push the locking ring over the quick connect nozzle to secure connection.

## INSTALLATION & PREPARATION

### WATER SUPPLY:

Pressurized Supply:

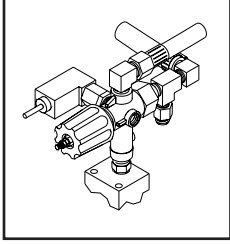
1. Select a water supply hose which is a quality grade of garden hose measuring at least  $\frac{3}{4}$ " ID and no longer than 50 feet.
2. Ensure the water strainer is clean and free of obstructions. Check float tank for any foreign objects or debris. If water flow becomes restricted to the pump, cavitation can occur which will cause premature failure of the pump packings.
3. Connect one end of the water supply hose to the float tank inlet and connect the other end to the pressurized water supply.

**NOTE:** *If there is a high mineral content in your water, it is recommended that a water softener be used to prevent the possibility of excessive scale buildup inside the heat exchanger coil.*

4. Follow the incoming water requirements listed below:
  - a. Water pressure must be between a minimum of 40 PSI and a maximum of 65 PSI.
  - b. Incoming GPM must be approximately one gallon more per minute than the outgoing GPM stated on the machine nameplate. (You can check the GPM of your source by timing the filling of a 5 gallon container.)
  - c. Incoming water temperature must not exceed 125°F. Excessive pump damage may result if the water temperature exceeds this level.
5. Never allow the unit to operate without the incoming water line attached and the water supply completely turned on.

## INSTALLATION & PREPARATION

### UNLOADER VALVE



#### UNLOADER:

The unloader has been preset at the factory.

---

#### PRE-START INSPECTION PROCEDURES:

Before starting the unit, perform the following procedures:

1. Check the oil level in the pump.
2. Inspect the water inlet strainer. Clean or replace if necessary. See "Water Supply" pg. 15.
3. Check all hose connections to ensure they are securely tightened.
4. Inspect for system water leaks, oil leaks and fuel leaks. If a fuel leak is found, **DO NOT START UNIT!** See "Risk of Explosion or Fire" warnings, pgs. 4-5. Be sure that all damaged parts are replaced and that the mechanical problems are corrected prior to operation of the unit. If you require service, contact Customer Service.
5. Inspect high pressure hoses for kinking, cuts and leaks. If a cut or leak is found, **DO NOT USE HOSE!** Replace hose before starting unit. See "Risk of Injection" warnings, pg. 6. Be sure that all damaged parts are replaced and that the mechanical problems are corrected prior to operation of the unit. If you require service, contact Customer Service.

## END OF PREPARATION INSTRUCTIONS



# **WARNING**

**THE FOLLOWING PAGES CONTAIN OPERATING AND MAINTENANCE INSTRUCTIONS.**

**DO NOT ATTEMPT TO OPERATE THIS PRESSURE WASHER UNTIL YOU HAVE READ AND UNDERSTOOD ALL SAFETY PRECAUTIONS AND INSTRUCTIONS LISTED IN THIS MANUAL.**

**INCORRECT OPERATION OF THIS UNIT CAN CAUSE SERIOUS INJURY!!**

**DO NOT ALTER OR MODIFY THIS EQUIPMENT IN ANY MANNER!**

## OPERATING INSTRUCTIONS



### CAUTION

#### RISK OF UNIT DAMAGE.

BE CERTAIN THE HOSE, GUN AND NOZZLE ASSEMBLY ARE NOT CONNECTED TO THE UNIT WHILE FLUSHING THE SYSTEM. FLUSHING ALLOWS MINERAL DEPOSITS TO BE RELEASED FROM THE SYSTEM WHICH WOULD OBSTRUCT OR DAMAGE THE GUN AND NOZZLE ASSEMBLY RESULTING IN COSTLY REPAIRS.



### DANGER

#### RISK OF INJECTION CAUSING SEVERE INJURY!

-KEEP CLEAR OF NOZZLE! NEVER PLACE HAND OR FINGERS IN FRONT OF NOZZLE!

-DO NOT DIRECT DISCHARGE STREAM AT PEOPLE OR PETS!

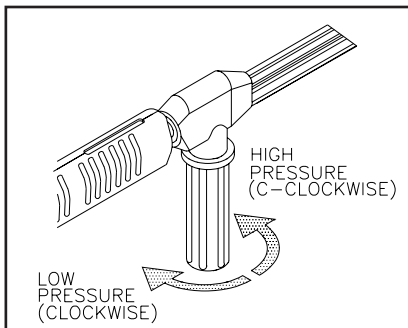


### CAUTION

#### RISK OF DAMAGE.

DONOT ALLOW SPRAY PATTERN TO REMAIN ON A FIXED AREA FOR AN EXTENDED PERIOD OF TIME. POSSIBLE DAMAGE MAY OCCUR TO THE AREA.

#### ADJUSTABLE GRIP



#### FLUSHING THE SYSTEM:

This unit has a steel coil which, after setting, will cause the water remaining in the coil from the previous usage to turn brown or black. This water must be flushed from the system before start-up. This procedure should be performed **WITHOUT** the high pressure hose, gun and lance assembly installed.

1. Turn on the water supply.
2. Start engine on unit. Low pressure water will begin flowing from the water outlet. This allows the unit to flush any particles from the system. The unit is flushed when the water is clear.
3. Once the system is flushed, turn off engine and connect the high pressure hose to the water outlet of the unit.
4. Connect the trigger gun and dual lance assembly to the high pressure hose.
5. Install desired nozzle into dual lance assembly.

#### START-UP/COLD WATER OPERATION:

1. Refer to the Safety Warnings on pages 4-8 before starting the machine.
2. Locate the Safety Decals on your unit and heed their warnings.
3. Ensure the Burner Switch is in the **OFF** position.
4. Pointing the trigger gun in a safe direction, unlock the trigger gun and squeeze the trigger. Hold the trigger gun open while starting the engine according to the manufacturer's instructions in the engine manual accompanying the machine. Brace yourself for possible gun kickback when the engine starts.
5. Once the engine has started, perform the following procedures with the gun open:
  - a. Inspect for system water leaks, oil leaks, and fuel leaks. If a fuel leak is found, **TURN MACHINE OFF IMMEDIATELY!** See "Risk of Explosion or Fire" warnings. Be sure that all damaged parts are replaced and that all mechanical problems have been corrected prior to operation of the unit. Contact Customer Service if necessary.
  - b. Inspect high pressure hoses for kinks, cuts, and leaks. If a cut or leak is found, **TURN MACHINE OFF IMMEDIATELY!** Replace hose before starting the machine. See "Risk of Injection" warnings. Be sure that all damaged parts are replaced and that all mechanical problems have been corrected prior to operation of the unit. Contact Customer Service if necessary.
6. The unit is now operating as a cold water pressure washer. Trigger the gun several times. Rotate adjustable grip on the dual lance for high and low pressure application. **NEVER** place hand or fingers in front of the nozzle or look directly into the nozzle!
7. Do not allow the machine to operate in the bypass mode (with the trigger gun closed) for more than three minutes without triggering the gun. Failure to follow this simple rule can cause premature failure of the pump packings.

#### HOT WATER OPERATION:

1. Follow preceding steps 1-7 for "Start-up / Cold water operation".
2. Move the Burner switch to the **ON** position.
3. Recheck the system for fuel leaks. If a fuel leak is found, **TURN MACHINE OFF IMMEDIATELY!** See "Risk of Explosion or Fire" warnings. Be sure that all damaged parts are replaced and that all mechanical problems have been corrected prior to operation of the unit. Contact Customer Service if necessary.

**Note:** Upon initial start-up, water will begin turning hot in approximately 20 seconds and will reach maximum temperature within 2-1/2 minutes providing that the trigger gun remains open. The burner will not fire when the trigger is released.



### WARNING

#### RISK OF BURN!

THE WATER TEMPERATURE COULD BECOME VERY HOT DURING HOT WATER OPERATION. BE CAUTIOUS WHEN ADJUSTING PRESSURE OR CONTROLLING THE TRIGGER GUN/LANCE ASSEMBLY.

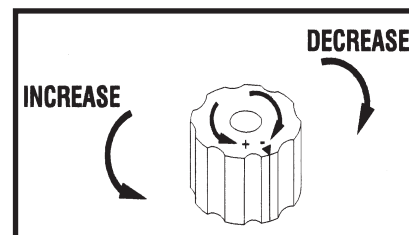
## OPERATING INSTRUCTIONS

### HIGH PRESSURE DETERGENT: (Cleaning with Detergents)

**NOTE:** This feature is designed for use with mild detergents only. Since the cleaning solution travels through various parts of the pressure washer, do not use corrosives as they will cause extensive damage as well as pose a considerable safety hazard.

1. Refer to "Risk of Bodily Injury / Detergents" pg. 8-9. Be certain to wear protective safety attire as stated on pg. 12.
2. Prepare detergent solution according to label directions. (Never pump acids, alkalines, abrasive fluids or solvents through the unit. Due to the unknown and often corrosive characteristics of many detergents commonly used in the pressure washer cleaning industry, it is recommended to use only mild detergents with this unit.)
3. Fully immerse the *strainer end* of the clear vinyl detergent hose into the detergent solution.
4. To apply solution; unlock the trigger gun and squeeze the trigger. In a few moments a detergent/water mixture will exit the nozzle. Start spraying the lower portion of the surface being cleaned and move up, using long overlapping strokes. Applying from the bottom up helps avoid streaking. Allow to soak briefly. Avoid working on hot surfaces or in direct sunlight to minimize the chances of the detergent drying, which may result in damaging surfaces. Be certain to apply cleaning solution to a small section at a time.
5. To rinse; lock the trigger gun in the "OFF" position. Turn the detergent metering valve to the "OFF" position. Unlock the trigger gun and spray. It will take about 30 seconds to purge all detergent from the line. For best rinsing results, start at the top and work down.
6. Siphon a gallon of water through the detergent injection system after each use. This prevents the possibility of corrosion or detergent residue causing mechanical problems during the next use.

### DETERGENT METERING VALVE



---

### SHUTDOWN:

1. Move the Burner switch to the **OFF** position.
2. Squeeze the trigger and discharge the water for a period of three minutes to cool the heat exchanger and high pressure hose. Insufficient cool-down periods for the high pressure hose will cause excessive wear and eventual rupture of the hose.
3. Do not close the choke to stop the engine. Backfire or engine damage may occur.
4. Move the engine key switch to the **OFF** position.
5. Turn off the water supply and trigger the gun momentarily to relieve trapped pressure.

Disconnect and drain the high pressure hose, gun, and lance. Wipe the unit clean. Store in a non-freezing environment.

## OPERATING INSTRUCTIONS

### OPTIONS:

#### ADJUSTABLE THERMOSTAT:

Regulates the maximum discharge temperature. Turn the dial to the desired maximum discharge temperature. This may cause the burner to fire intermittently.

#### BALL VALVE: (Auxiliary Tank)

1. Connect hose from auxiliary tank to open port on the 3-way ball valve.
2. Use the selector lever on the ball valve to allow water to flow from the auxiliary tank to the pump.
3. The water level in the auxiliary tank must always be higher than the pump inlet. This will ensure gravity feed of water to the pump. Failure to keep the water level above the pump inlet will result in the pump running dry and damage to the wet end of the pump.

## STORAGE & MAINTENANCE

### SPECIFIC MAINTENANCE:

#### EVAPORATIVE EMISSION COMPONENTS:

The unit you have purchased includes the following components that are in compliance with 2006 California Air Resources Board Evaporative Emission Standards;

1. Fuel Hose
2. Fuel Hose Fittings

These components should be inspected on a daily basis for cracks, leaks, and abnormal wear. If cracking, leaks or abnormal wear has occurred, the components should be replaced immediately.

**ENGINE:** The engine instruction manual accompanying your unit lists the specific procedures for maintenance on the engine. Following the engine manufacturer's recommendations will extend engine life.

**PUMP:** Change the pump oil after the first 50 hours of operation. After initial change, the manufacturer recommends changing the oil every three months or at 250 hour intervals. If oil appears dirty or milky, changes may be required in greater frequency. Use SAE20 or 30 non-detergent pump oil and fill only to the center of the oil sight glass. DO NOT overfill.

**NOZZLE:** Water flow through the spray nozzle will erode the orifice, making it larger, resulting in a pressure loss. Nozzles should be replaced whenever pressure is less than 85% of the maximum. The frequency of replacement will depend upon such variables as mineral content in the water and number of hours the nozzle is used.

#### MAINTENANCE-EVERY 3 MONTHS:

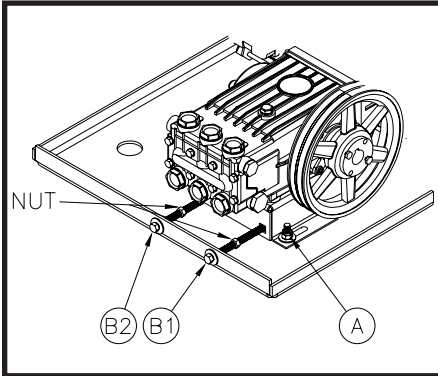
**CHANGE WATER PUMP OIL:** Ensure unit is off. Change the pump oil after the first 50 hours of operation. After initial change, every 3 months or 500 hour intervals are recommended. If oil appears dirty or milky, changes may be required in greater frequency. Use SAE20 or 30 non-detergent pump oil and fill only to the center of the oil sight glass. DO NOT overfill.

**REPLACE HIGH PRESSURE NOZZLE:** Water flow through the spray nozzle will erode the orifice, making it larger, resulting in a pressure loss. Nozzles should be replaced whenever pressure is less than 85% of the maximum. The frequency of replacement will depend upon such variables as mineral content in the water and number of hours the nozzle is used.

## STORAGE & MAINTENANCE

### MAINTENANCE-EVERY 3 MONTHS CONT.:

**BELT INSPECTION:** Ensure unit is off and remove the beltguards. Inspect the v-belt for wear and tightness. If the v-belt needs to be replaced or tightened, follow the procedures listed below:



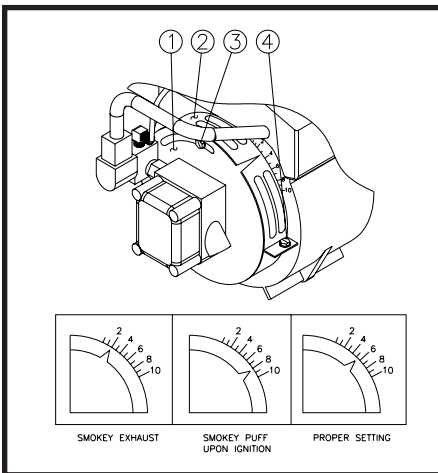
#### Replacement:

1. Loosen the four pump mounting bolts (A).
2. Loosen the two alignment nuts approximately one inch on the alignment bolts (B1 & B2).
3. Slide the pump toward the engine to loosen belts.
4. Remove and replace belt.

**Tighten:** (If v-belt was not replaced, you will need to loosen the nuts on the alignment bolts B1 and B2 before proceeding.)

1. Tighten B2 alignment bolt. The pump will shift to the left until there is tension on the belt. Then tighten B2 nut.
2. Tighten B1 alignment bolt, until sheaves are straight. (Use a straightedge for alignment.)
3. Push on the v-belt to check belt deflection for tension. There should be 1/4" to 1/2" deflection for correct tension.
4. If sheaves are straight and tension is correct, tighten B1 nut and the four pump mounting bolts (A).
5. If tension is not correct, repeat steps 6 and 7 until correct alignment and tension is achieved. Tighten the four mounting bolts (A) when completed.
6. Loosen B2 nut, tighten B2 bolt, tighten B2 nut.
7. Loosen B1 nut, tighten B1 bolt, tighten B1 nut.

### BURNER AIR ADJUSTMENT



**BURNER AIR ADJUSTMENT:** The air shutter has been factory preset for proper operation between sea level and 2000 feet elevation at standard conditions (60°F ambient water and air temperatures). In colder temperatures or higher altitudes, it may be necessary to adjust the air supply to the combustion chamber. This adjustment will maximize burner efficiency and avoid inefficient operation or excessive sooting of the heat exchanger coil. A smoke spot test is recommended during any air shutter and band adjustment. If you do not have the equipment to perform a smoke spot test, follow the procedures listed below.

1. The machine must be running and the burner ON.
2. Loosen the Locking Screw (#3 at left) on the shutter.
3. Check for smoke from the heat exchanger exhaust. If smoke is not present, slowly close the Air Shutter (#1 at left) by moving the dial counterclockwise to a lower number. Continue moving the dial until smoke appears.
4. Record this setting.
5. Open Air Shutter (#1 at left) two increments. Example: If Air Shutter was set at 2, move it to 4.
6. Slowly trigger the gun on and off. This will cause the burner to turn on and off. Look for a smoke puff when the burner ignites.
7. Repeat steps 5 and 6 until a smoke puff is noticed. Record the Air Shutter Setting.
8. The difference between the recorded settings in steps 4 and 7 is the combustion window. Set the dial 1/2 way between these settings.

**NOTE:** If you are unable to detect a setting on either step 3 or 7, more or less air may be needed to achieve a proper combustion window. Loosen the Bolt (#4 at left) and open the Air Band (#2 at left) in 1/4" increments. Repeat steps 3-8 until proper combustion window is achieved.

**TEST WATER & FUEL PRESSURE:** These procedures should be performed by an authorized service technician.

**TEST WATER TEMPERATURE:** This procedure should be performed by an authorized service technician.

## STORAGE & MAINTENANCE

### MAINTENANCE – EVERY 6 MONTHS

REPLACE FUEL FILTER – Follow the instructions specified on the fuel filter for correct procedure.

### MAINTENANCE – EVERY 12 MONTHS

DELIME COIL – A loss in pressure may signify that the coil needs to be delimed. Do this procedure on a periodic basis.

1. Mix deliming powder/solution according to package directions.
2. Remove the nozzle from the wand. Place a nylon stocking over the wand assembly to collect debris, then place the wand assembly into the float tank.
3. Ensure the trigger gun is open and start the engine to allow water to circulate through the system. Allow process to continue for 2-4 hours (Consult deliming agent package directions for exact time).
4. Once process is complete, turn off engine. Drain and clean the float tank, remove the nylon stocking, and clean the gun and wand assembly.
5. Flush the entire system with clean, fresh water and place the nozzle in the wand assembly.
6. Dispose of deliming solution according to local, state, and federal regulations.

TEST VOLTAGE AND AMP DRAW - Use a voltmeter and amp meter to test the machine for correct voltage and amperage. If you do not have these instruments or are unsure of how to perform these tests, this procedure should be performed by an authorized service technician.

INSPECT BURNER FUEL PUMP INTERNAL FILTER – This procedure should be performed by an authorized service technician.

CHECK BURNER ELECTRODES - This procedure should be performed by an authorized service technician.

REPLACE FUEL NOZZLE - This procedure should be performed by an authorized service technician.

## STORAGE & MAINTENANCE

### MAINTENANCE-SEASONAL:

**NOTE:** Proper winterizing is based on the recommended manufacturer's instructions listed on the "Protection Chart" shown on the back label of most antifreeze containers.

**WINTERIZING:** For storage and transportation purposes in subfreezing ambient temperatures, it will be necessary to winterize this unit. This unit must be protected to the lowest incurred temperature for the following reasons:

1. If any part of the pumping system becomes frozen; excessive pressure may build up in the unit which could cause the unit to burst resulting in possible serious injury to the operator or bystanders.
2. The pumping system in this unit may be permanently damaged if frozen. **FREEZE DAMAGE IS NOT COVERED BY WARRANTY.**

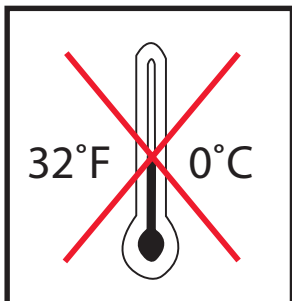
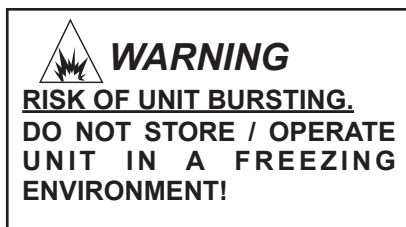
If you must store your unit in an area where the temperature may fall below 32°F, you can protect your unit by following one of the procedures listed below.

#### AIR BLOWOUT:

1. Remove the nozzle from the wand assembly. Squeeze the trigger until water ceases to exit the wand assembly.
2. Connect an air fitting from an air hose to the strainer fitting in the float tank.
3. Run compressed air into the system to remove all water from the system.

#### ANTIFREEZE SOLUTION:

1. Pour a mixture of antifreeze and water into the float tank.
2. Place the detergent strainer into 100% antifreeze solution
3. Turn the switch to the "Pump" position. Allow antifreeze to siphon throughout the system until antifreeze solution exits the outlet. (To ensure the coil is winterized, antifreeze solution must exit the outlet. Add more antifreeze solution mixture to the float tank if necessary.)
4. Store antifreeze solution for future use or dispose of according to state EPA laws.





## TROUBLESHOOTING

SYMPTOM	PROBABLE CAUSE	REMEDY
Engine will not start.	<p>Engine problems.</p> <p>Unit components are frozen.</p>	<p>Refer to the Engine Manual accompanying your unit.</p> <p>Allow to thaw. If any part of the unit becomes frozen, excessive pressure may build up in the unit which could cause the unit to burst resulting in possible serious injury to the operator or bystanders.</p>
No discharge at nozzle when trigger mechanism is squeezed.	Inadequate water supply.	Ensure hose is 3/4" diameter and incoming water supply is turned on.
Low or fluctuating pressure.	<p>Kink in water inlet hose.</p> <p>Water inlet screen obstructed.</p> <p>Pump sucking air. (Prime eliminated)</p> <p>Eliminate leaks in intake line.</p> <p>Obstructed or worn spray nozzle.</p> <p>Damaged or obstructed valve assy. on pump.</p> <p>Pump packings worn.</p> <p>Unloader/bypass valve not operating correctly.</p>	<p>Remove kink.</p> <p>Remove screen, clean or replace.</p> <p>Tighten all water intake connections. Eliminate leaks in intake line.</p> <p>Insert high pressure nozzle.</p> <p>Move adjustable grip on dual lance <b>counterclockwise</b> to high pressure.</p> <p>Remove, clean or replace.</p> <p>Remove, inspect, clean or replace.</p> <p>Replace packings.</p> <p>Repair or replace.</p>
Pump oil appears milky or foamy.	Water in oil.	Change pump oil. Fill to proper level.
Oil leaking from unit.	Worn seals or o-rings.	Contact Service Department.
Water is leaking at safety relief valve.	<p>Unloader malfunction.</p> <p>Pressure switch malfunction.</p> <p>Safety Relief Valve is defective.</p>	<p>Detect and correct unloader problem.</p> <p>Detect and correct pressure switch problem.</p> <p>Replace safety relief valve. NEVER run unit without safety relief valve. Doing so can cause an explosion!</p>

## TROUBLESHOOTING

SYMPTOM	PROBABLE CAUSE	REMEDY
Detergent will not siphon.	Detergent strainer is not completely submerged in detergent solution.	Check, submerge if necessary.
	Detergent strainer obstructed.	Inspect, clean or replace.
	Detergent hose cut, obstructed or kinked.	Inspect, clean or replace.
	Nozzle assembly is plugged.	Clean or replace.
	Detergent adjusting knob turned to closed position.	Open adjusting knob. Refer to "Cleaning w/ Detergents" pg. 19.
Water flows back into detergent container.	Ball & Spring in detergent strainer is obstructed.	Remove, clean or replace.
Water flows from the nozzle when the trigger gun is locked in the <b>OFF</b> position.	Trigger gun is malfunctioning.	Repair or replace.
Blower motor will not run. (Burner will not ignite without blower running)	Burner/Blower motor malfunction.	Repair or replace.
Blower runs, but burner will not ignite.	Burner switch is not turned on.	Check switch position.
	Thermostat knob is OFF.	Check thermostat knob position.
	Trigger gun is closed.	Open gun for pressure.
	Out of fuel.	Refuel.
	Detergent valve is open, but detergent hose is not completely submerged in solution. (This causes safety devices to shut down burner.)	Close valve, or completely submerge clear vinyl hose into detergent solution.
	Pressure switch override.	Pressure should be over 375 PSI to allow burner to come on.
	No voltage.	Consult Service Department.
	Poor or improper fuel supply.	Check fuel to ensure it is correct. Drain tank and filter if necessary and refill with proper fuel.
	Fuel pump sucking air.	Tighten all fuel intake connections. Eliminate leaks in intake line.

## TROUBLESHOOTING

SYMPTOM	PROBABLE CAUSE	REMEDY
Blower runs, but burner will not ignite.	<p>Dirty or clogged fuel filter or fuel water separator.</p> <p>Low fuel pump pressure.</p> <p>Fuel pump inoperative.</p> <p>Flexible coupler broken.</p> <p>Fuel solenoid valve failure.</p> <p>Dirty or clogged fuel nozzle.</p> <p>Improper burner air adjustment.</p> <p>Faulty ignition module.</p> <p>Ignition electrodes damaged or worn.</p>	<p>Drain or replace as necessary.</p> <p>Check fuel pump pressure, adjust or replace as necessary.</p> <p>Check pressure, replace if necessary.</p> <p>Replace.</p> <p>Replace.</p> <p>Replace fuel nozzle.</p> <p>Adjust as shown on pg. 22.</p> <p>Repair or replace. Consult your Customer Service.</p> <p>Adjust or replace electrodes. Consult your Customer Service.</p>
Blower runs, burner ignites but will not heat.	<p>Thermostat knob is OFF.</p> <p>Detergent valve is open, but detergent hose is not completely submerged in solution. (This causes safety devices to shut down burner.)</p> <p>Poor or improper fuel supply.</p> <p>Dirty or clogged fuel filter or fuel water separator.</p> <p>Low fuel pump pressure.</p> <p>Dirty or clogged fuel nozzle.</p> <p>Improper burner air adjustment.</p> <p>Scale build up in heat exchanger coil.</p>	<p>Check thermostat knob position.</p> <p>Close valve, or completely clear vinyl hose into detergent solution.</p> <p>Check fuel to ensure it is correct. Drain tank and filter if necessary and refill with proper fuel.</p> <p>Drain or replace as necessary.</p> <p>Check fuel pump pressure, adjust or replace if needed.</p> <p>Replace fuel nozzle.</p> <p>Adjust.</p> <p>Consult the Service Department.</p>
Burner runs erratically.	<p>Water in the fuel oil.</p> <p>Dirty fuel filter or fuel water separator.</p> <p>Dirty fuel nozzle.</p> <p>Improper air adjustment setting.</p> <p>Fuel pump malfunctioning.</p>	<p>Replace fuel filter or drain fuel water separator, drain fuel tank and replace with clean fuel.</p> <p>Replace element.</p> <p>Replace.</p> <p>Adjust</p> <p>Replace.</p>
Burner discharges white smoke.	<p>Low on fuel.</p> <p>Excessive air supply.</p>	<p>Refuel. If white smoke persists consult the Service Department.</p> <p>Adjust.</p>
Burner discharges black smoke.	<p>Insufficient air supply.</p>	<p>Adjust.</p>

## MAINTENANCE CHART

PROCEDURE	DAILY	3 MONTHS	6 MONTHS	9 MONTHS	12 MONTHS
Check engine oil level	X				
Change engine oil*****		X	X	X	X
Check water pump oil level	X				
Change water pump oil **		X	X	X	X
Oil leak inspection	X				
Fuel leak inspection	X				
Water leak inspection	X				
Hose inspection		X			
Water inlet filter inspection	X				
Check fuel filter		X	X	X	X
Replace fuel filter			X	X	X
Inspect belts		X	X	X	X
Replace high pressure nozzle***		X	X	X	X
Inspect fuel pump filter*					X
Replace fuel nozzle*					X
Check burner air adjustment					X
Check burner electrodes*		X	X	X	X
Test water pressure*					X
Test fuel pressure*		X	X	X	X
Test water temperature*		X	X	X	X
Descale coil*****		X	X	X	X

\* Must be performed by an authorized service technician.

\*\* The pump oil must be changed after the first 50 hours of operation and every 250 hours or 3 months, whichever comes first.

\*\*\* High pressure nozzle should be replaced whenever pressure is less than 85%.

\*\*\*\* Scale buildup will vary with mineral content in the water and amount of usage. Descaling can range from weekly to yearly maintenance.

\*\*\*\*\* The engine oil must be changed after the first 8 hours of operation and every 50 hours or 3 months, whichever comes first.

## STATEMENT OF WARRANTY

Manufacturer warrants all parts (except those referred to below) of your new HDC SERIES pressure washer to be free from defects in materials and workmanship during the following periods:

For Lifetime:

Pump Manifold

For Ten (10) Years from the date of original purchase:

High Pressure Pump (General Pump Only)

For Seven (7) Years from the date of original purchase:

High Pressure Pump (AR Pump Only)

For Five (5) Years from the date of original purchase:

Heat Exchanger Coil

For Two (2) Years from the date of original purchase:

Frame	Burner
Guards or Shields	Pulleys
Plumbing	

For Six (6) Months from the date of original purchase:

Burner Motor	Ignition Transformer
--------------	----------------------

For Ninety (90) days from the date of original purchase:

Control Switches	Safety Switches
Unloader Valve	Fuel Pump
Capacitor	

For Thirty (30) days from the date of original purchase:

High Pressure Hose	Trigger Gun
Strainer/Filters	

Defective parts not subject to normal wear and tear will be repaired or replaced at Manufacturer's option during the warranty period. In any event, reimbursement is limited to the purchase price paid.

### EXCLUSIONS

1. Engine/Motor are covered under separate warranty by its respective manufacturer and is subject to the terms set forth therein.

2. Normal wear parts:

Pump Packings	Spray Nozzles
Pump Valves	Quick Connectors
Detergent Valves	Fuel Filters

3. This warranty does not cover parts damaged due to normal wear, misapplication, misuse, operation at other than recommended speeds, pressures or temperature. Parts damaged or worn because of the use of caustic liquids or by operation in abrasive or corrosive environments or under conditions causing pump cavitation are not warranted. Failure to follow recommended operating and maintenance procedures also voids warranty.

4. The use of other than genuine parts will void warranty. Parts returned, prepaid to the manufacturer's factory or to an Authorized Service Center will be inspected and replaced free of charge if found to be defective and subject to warranty. There are no warranties which extend beyond the description of the face hereof. Under no circumstances shall the manufacturer bear any responsibility for loss of use of the unit, loss of time or rental, inconvenience, commercial loss or consequential damages.

**CALIFORNIA EMISSIONS CONTROL WARRANTY STATEMENT  
YOUR WARRANTY RIGHTS AND OBLIGATIONS**

The California Air Resources Board and Mi-T-M are pleased to explain the emissions control system warranty on your small off-road engine (SORE). In California, new SOREs must be designed, built and equipped to meet the State's stringent anti-smog standards. Mi-T-M must warrant the emissions control system on your SOREs for the periods of time listed below provided there has been no abuse, neglect or improper maintenance of your SOREs.

Your emissions control system may include parts such as the carburetor or fuel-injection system, fuel lines and the ignition system. Also included may be hoses, clamps , connectors and other associated components.

Where a warrantable condition exist, Mi-T-M will repair your small off-road engine at no cost to you including diagnosis, parts and labor.

**MANUFACTURER'S WARRANTY COVERAGE:**

This emissions control system is warranted for two years. If any emissions-related part on your engine is defective, the part will be repaired or replaced by Mi-T-M.

**OWNER'S WARRANTY RESPONSIBILITIES:**

-As the SORE owner, you are responsible for performance of the required maintenance listed in your owner's manual. Mi-T-M recommends that you retain all receipts covering maintenance on your SORE , but Mi-T-M cannot deny warranty solely for the lack of receipts.

-As the SORE owner, you should however be aware that Mi-T-M may deny you warranty coverage if your SORE or a part has failed due to abuse, neglect, or improper maintenance or unapproved modifications.

-You are responsible for presenting your SORE to distribution center or service center authorized by Mi-T-M Corporation, 8650 Enterprise Drive, Peosta, IA 52068 (herein Mi-T-M) as soon as the problem exists. The warranty repairs should be completed in a reasonable amount of time, not to exceed 30 days.

If you have a question regarding your warranty coverage, you should contact Mi-T-M Customer Service Department at 1-800-553-9053.



**GENERAL EMISSIONS WARRANTY COVERAGE**  
**- California Only -**

Mi-T-M warrants to the ultimate purchaser and each subsequent purchaser that the SORE (1) has been designed, built and equipped so as to conform with all applicable regulations; and (2) is free from defects in materials and workmanship that cause the failure of a warranted part to conform with those regulations as may be applicable to the terms and conditions stated below.

- (a) The warranty period begins on the date the engine is delivered to an ultimate purchaser or first placed into service. The warranty period is two years.
- (b) Subject to certain conditions and exclusions as stated below, the warranty on emissions related parts is as follows:
  - (1) Any warranted part that is not scheduled for replacement as required maintenance in your owner's manual is warranted for the warranty period stated above. If the part fails during the period of warranty coverage, the part will be repaired or replaced by Mi-T-M according to subsection (4) below. Any such part repaired or replaced under warranty will be warranted for the remainder of the period.
  - (2) Any warranted part that is scheduled only for regular inspection in your owner's manual is warranted for the warranty period stated above. Any such part repaired or replaced under warranty will be warranted for the remaining warranty period.
  - (3) Any warranted part that is scheduled for replacement as required maintenance in your owner's manual is warranted for the period of time before the first scheduled replacement date for that part. If the part fails before the first scheduled replacement, the part will be repaired or replaced by Mi-T-M according to subsection (4) below. Any such part repaired or replaced under warranty will be warranted for the remainder of the period prior to the first scheduled replacement point for the part.
  - (4) Repair or replacement of any warranted part under the warranty provisions herein must be performed at a warranty station at no charge to the owner.
  - (5) Notwithstanding the provisions herein, warranty services or repair will be provided at all of our distribution centers that are franchised to service the subject engines.
  - (6) The owner must not be charged for diagnostic labor that leads to the determination that a warranted part is in fact defective, provided that such diagnostic work is performed at a warranty station.
  - (7) Mi-T-M is liable for damages to other engine components proximity caused by a failure under warranty of any warranted part.
  - (8) Throughout the engine warranty period stated above, Mi-T-M will maintain a supply of warranted parts sufficient to meet the expected demand for such parts.
  - (9) Any replacement part may be used in the performance of any warranty maintenance or repairs and must be provided without charge to the owner. Such use will not reduce the warranty obligations of Mi-T-M.
  - (10) Add-on or modified parts that are not exempted by the Air Resources Board may not be used. The use of any non-exempted add-on or modified parts by the ultimate purchaser will be grounds for disallowing a warranty claim. Mi-T-M will not be liable to warrant failures of warranted parts caused by the use of a non-exempted add-on or modified part.

(c) **WARRANTED PARTS:**

The repair or replacement of any warranted part otherwise eligible for warranty coverage may be excluded from such warranty coverage if Mi-T-M demonstrates that the engine has been abused, neglected, or improperly maintained, and that such abuse, neglect, or improper maintenance was the direct cause of the need for repair or replacement of the part. That notwithstanding, any adjustment of a component that has a factory installed, and properly operating, adjustment limiting device is still eligible for warranty coverage. The following emissions warranty parts list are covered.

- (1) Fuel Metering System/
  - (A) Carburetor and internal parts (and/or pressure regulator or fuel injection system)./
  - (B) Air/fuel ratio feedback and control system, if applicable./
  - (C) Cold start enrichment system, if applicable./
  - (D) Regulator assy (gaseous fuel, if applicable)
- (2) Air Induction System/
  - (A) Intake manifold, if applicable/
  - (B) Air filter.
- (3) Ignition System/
  - (A) Spark plugs. /
  - (B) Magneto or electronic ignition system. /
  - (C) Spark advance/retard system, if applicable.
- (4) Exhaust manifold, if applicable
- (5) Evaporation System /
  - (A) Fuel line /
  - (B) Fuel line fittings

# Table des Matières

INTRODUCTION .....	33
<b>INSTRUCTIONS IMPORTANTES DE SÉCURITÉ .....</b>	<b>34-38</b>
RISQUE D'EXPLOSION OU D'INCENDIE .....	34-35
RISQUE D'ASPHYXIE .....	35
RISQUE DE PIQÛRE OU DE COUPURES GRAVES .....	36
RISQUE DE DÉCHARGE ÉLECTRIQUE OU D'ÉLECTROCUTION .....	36
RISQUE DE BRÛLURE .....	37
RISQUE D'ÉCLATEMENT .....	37
RISQUE PROVENANT DES PICES MOBILES .....	37
RISQUE DE BLESSURES CORPORELLES .....	38
<b>CARACTERISTIQUES DU HDC .....</b>	<b>40-41</b>
<b>INSTRUCTIONS D'INSTALLATION ET DE PRÉPARATION .....</b>	<b>42-46</b>
TENUE .....	42
INSTALLATION .....	42
RÉSEROIRS DE CARBURANT DU MOTEUR/BRÛLEUR .....	43
ENSEMBLE DE LA LANCE DOUBLE AVEC PRESSION RÉGLABLE .....	43
BUSES RACCORDS RAPIDES .....	44
RACCORDEMENT BUSE .....	44
APPROVISIONNEMENT EN EAU .....	45
DECHARGEUR .....	46
PROCÉDURES D'INSPECTION AVANT MISE EN MARCHÉ .....	46
<b>CONSIGNES D'UTILISATION .....</b>	<b>48-50</b>
VIDANGE DU SYSTÈME .....	48
DEMARRAGE/FONCTIONNEMENT A L'EAU FROIDE .....	48
FONCTIONNEMENT A L'EAU CHAUDE: .....	48
DETERGENT HAUTE PRESSION .....	49
ARRÊT .....	49
OPTIONS .....	50
<b>CONSIGNES DE STOCKAGE ET D'ENTRETIEN .....</b>	<b>51-53</b>
ENTRETIEN SPECIFIQUE .....	51
ENTRETIEN-SAISONNIER .....	52-53
<b>DÉPANNAGE .....</b>	<b>55-57</b>
<b>TABLEAU D'ENTRETIEN .....</b>	<b>58</b>
<b>BON DE GARANTIE .....</b>	<b>59-61</b>

## **WARNING**

**AVERTISSEMENT:** Ce produit contient du plomb, un produit chimique qui est connu par l'état de Californie comme étant la cause de cancer et de malformations congénitales ou autres effets nocifs de reproduction.

*Laver vos mains après avoir manipulé ce produit.*

## **AVERTISSEMENT**

Le gaz d'échappement du moteur de cet appareil contient des produits chimiques qui sont connus par l'état de Californie comme étant la cause de cancer, de défauts de naissance et d'autres problèmes reproductifs.

## **AVERTISSEMENT**

Ce produit contient un ou plusieurs produits chimiques qui sont connus par l'état de Californie comme étant la cause de cancer, de défauts de naissance et d'autres problèmes reproductifs.



## INTRODUCTION

Félicitations de l'achat de votre nouveau nettoyeur haute pression! Vous pouvez être assuré que votre nouveau nettoyeur haute pression a été construit et conçu avec qualité et performance à l'esprit. Chaque composant a été rigoureusement testé afin d'atteindre le plus haut niveau de fiabilité.

Le manuel de l'utilisateur a été dressé pour que vous en retiriez le meilleur parti. Par la lecture et l'application des mesures simples de sécurité, d'installation, d'opération, d'entretien et de dépannage décrites dans ce manuel, votre nouveau nettoyeur haute pression sans faille pendant de nombreuses années. Le contenu de ce manuel est basé sur la dernière information disponible du produit au moment de la publication. Fabricant se réserve le droit d'effectuer des changements de prix, de couleur, de matériaux, d'équipement, de caractéristiques ou de modèles à tout moment sans préavis.

### ! IMPORTANT !

Ces paragraphes sont entourés par un "ENCADRÉ ALERTE SÉCURITÉ". Cet encadré est utilisé pour indiquer et souligner les avertissements de sécurité qui doivent être suivis en utilisant ce nettoyeur haute pression. En plus des avertissements de sécurité, des "mots d'alerte" sont utilisés pour indiquer le degré ou niveau de risque. Les "mots d'alerte" utilisés dans ce manuel sont les suivants:

**DANGER:** Indique une situation au danger imminent qui, si elle n'est pas évitée, ENTRAINERA la mort ou des blessures graves.

**AVERTISSEMENT:** Indique une situation potentiellement dangereuse qui, si elle n'est pas évitée, POURRAIT entraîner la mort ou des blessure graves.

**ATTENTION:** Indique une situation potentiellement dangereuse, qui, si elle n'est pas évitée, PEUT entraîner des dommages corporels mineurs ou modérés.



Les symboles placés à gauche de ce paragraphe sont des "symboles d'alerte de sécurité". Ces symboles sont utilisés pour souligner les objets ou les procédures qui pourraient être dangereux pour vous ou tout autre personne utilisant cet équipement.

**FOURNISSEZ TOUJOURS UNE COPIE DE CE MANUEL A TOUTE PERSONNE UTILISANT CET EQUIPEMENT. LISEZ TOUTES LES INSTRUCTIONS AVANT D'UTILISER CE NETTOYEUR ET SOYEZ PARTICULIEREMENT ATTENTIF AUX "AVERTISSEMENT DE SÉCURITÉ" POUR EMPECHER LA POSSIBILITÉ DE BLESSURES POUR L'UTILISATEUR**

Une fois l'appareil déballé, écrivez immédiatement le numéro de série de votre appareil dans l'espace ci-dessous

**NUMERO DE SÉRIE** \_\_\_\_\_



Assurez-vous qu'il n'y a pas de signes de dommages évidents ou cachés suite au transport. En cas de dommage, remplissez immédiatement une réclamation avec la compagnie de transport. Assurez-vous que toutes les pièces endommagées sont remplacées et les problèmes mécaniques et électriques corrigés avant l'utilisation de l'appareil. Si vous avez besoin d'assistance, entrez en contact avec votre service clientèle.

Veillez avoir les informations suivantes disponibles pour toute intervention:


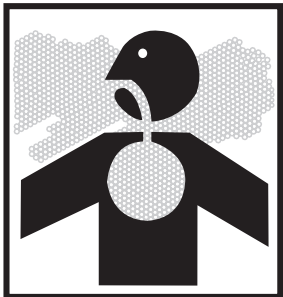
1. Numéro de modèle
2. Numéro de série
3. Date et lieu d'achat

## INSTRUCTIONS IMPORTANTES DE SÉCURITÉ

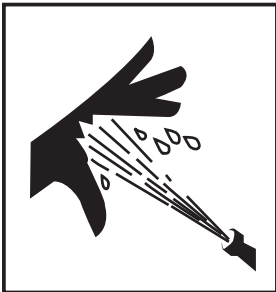

**AVERTISSEMENT:** Lors de l'utilisation de ce produit, des précautions de base doivent toujours être observées, incluant les suivantes:  
LIRE TOUTES LES INSTRUCTIONS AVANT UTILISATION DU NETTOYEUR A PRESSION

RISQUE	CONSÉQUENCE POTENTIELLE	PRÉVENTION
<p><b>RISQUE D'EXPLOSION OU D'INCENDIE</b></p> <div style="display: flex; flex-direction: column; align-items: center;">   </div>	<p>Il y a un risque de mort ou de blessures graves dues à des étincelles normales dans les multiples sources d'allumage ou dans l'échappement du moteur/ brûleur.</p> <p>Il y a un risque de mort ou de blessures graves si l'approvisionnement en carburant n'est pas correctement effectué.</p> <p>La batterie peut être la cause de blessures sérieuses ou de mort.</p>	<p>Utilisez toujours le nettoyeur dans un endroit bien aéré où il n'y a pas de vapeurs inflammables, de la poussière de combustible, des gaz ou d'autres matériaux combustibles.</p> <p>Ne rangez pas le nettoyeur haute pression près d'une flamme ou d'un équipement tel qu'un fourneau, d'un four, d'un chauffe-eau, etc., équipé d'une lampe témoin ou d'un dispositif d'étincellement.</p> <p>N'employez pas ce nettoyeur haute pression pour pulvériser un matériau inflammable!</p> <p>Ne fumez pendant le remplissage du réservoir de carburant.</p> <p>Ne jamais remplir le réservoir de carburant alors que la machine est chaude ou en marche. Laissez refroidir deux minutes avant le réapprovisionnement en combustible.</p> <p>Ne réapprovisionnez pas en combustible en intérieur ou dans un secteur mal aéré.</p> <p>Remplissez toujours le réservoir de carburant lentement pour éviter que du carburant ne soit renversé, ce qui pourrait causer un risque d'incendie.</p> <p><b>Réservoir à carburant du moteur</b></p> <p>En cas d'utilisation d'un moteur à essence, ne remplir qu'avec de l'essence. Ne pas se servir de diesel ou de fuel oil.</p> <p><b>Réservoir de carburant:</b></p> <p>Utiliser du fuel oil n° 1 ou n° 2 / diesel ou kérosène. Ne pas utiliser d'essence, d'écoulements de carter ou d'huile contenant de l'essence, de l'huile/diesel ou des dissolvants.</p> <p>Ne pas se servir de l'appareil si de l'essence ou du diesel sont renversés. Essuyer le nettoyeur haute pression et l'écartier de la flaque. Éviter de créer toute ignition jusqu'à ce que l'essence ou le diesel se soient évaporés.</p> <p>Quand la batterie est mise en service, l'hydrogène et l'oxygène de la batterie peuvent former un mélange extrêmement explosif. Toujours tenir la batterie à l'écart de flammes ou d'étincelles, surtout quand elle se recharge.</p> <p>Toujours s'assurer de débrancher la borne de masse de la batterie avant l'entretien. Pour débrancher les cables de la batterie, commencer par la borne négative, et pour rebrancher, commencer par la borne positive.</p> <p>Quand la batterie est en charge, enlever les bouchons d'aération.</p> <p>Ne se servir que d'un voltmètre ou d'un hydromètre pour vérifier la charge de la batterie.</p> <p>Ne démarrer pas en branchant la batterie sur une batterie de secours sans avoir vérifié que les deux batteries ont la même tension et ampérage.</p>




**INSTRUCTIONS IMPORTANTES DE SÉCURITÉ**  
LISEZ TOUTES LES INSTRUCTIONS DE SÉCURITÉ AVANT UTILISATION

RISQUE	CONSÉQUENCE POTENTIELLE	PRÉVENTION
<p align="center"><b>RISQUE D'INCENDIE</b></p> 	<p>Des blessures graves ou la mort peuvent survenir à la suite d'un incendie provoqué par une étincelle provenant du silencieux.</p> <p>Il y a un risque de mort ou de blessures graves si les sécurités du système ne sont pas correctement entretenues.</p>	<p>Un dispositif pare-étincelles doit être ajouté au silencieux de cet appareil quand il est utilisé sur une terre couverte de n'importe quel produit agricole inflammable (foin et grain), et si il sert sur ou près de terrains couverts de broussailles ou boisés. Le dispositif pare-étincelles doit être maintenu en bonne condition de marche par l'utilisateur. Dans l'Etat de Californie, ce qui se trouve au-dessus est requis par la loi. (Section 4442 et 4443 du Code de Ressources Publiques de Californie.) D'autres états ont peut être des lois semblables. Les lois Fédérales s'appliquent sur les terres Fédérales.</p> <p>Ce nettoyeur haute pression est muni d'un dispositif de sécurité qui ne doit en aucun cas être changé, modifié, retiré ou être rendu inopérant. Si ce dispositif n'est plus en état de marche, remplacez le immédiatement et uniquement par la pièce de rechange du fabricant d'origine.</p>
<p align="center"><b>RISQUE D'ASPHYXIE</b></p> 	<p>La mort ou de graves blessures pourraient survenir si vous inhalez des gaz dangereux rejetés par l'échappement du brûleur. Le gaz d'échappement du moteur de cet appareil contient des produits chimiques qui sont connus par l'état de Californie comme étant la cause de cancer, de défauts de naissance et d'autres problèmes reproductifs.</p>	<p>N'utilisez jamais cet nettoyeur haute pression dans un lieu clos. Assurez-vous toujours que la ventilation est propice (air frais à extérieur) à la respiration et la combustion. Ceci empêchera la formation de gaz dangereux d'oxyde de carbone. Méfiez vous des secteurs mal aérés, ou des secteurs où les ventilateurs ne peuvent assurer qu'un faible renouvellement d'air.</p> <p>Suivez toutes les instructions de sécurité fournies avec les matériaux que vous pulvériser. L'utilisation d'un respirateur peut être exigée en travaillant avec certains matériaux. N'utilisez pas ce nettoyeur haute pression pour vaporiser des détergents dangereux.</p>

**INSTRUCTIONS IMPORTANTES DE SÉCURITÉ**  
LISEZ TOUTES LES INSTRUCTIONS DE SÉCURITÉ AVANT UTILISATION


RISQUE	CONSÉQUENCE POTENTIELLE	PRÉVENTION
<p><b>RISQUE DE PIQÛRE OU DE COUPURES GRAVES</b></p> 	<p>La mort ou de graves blessures peuvent résulter de la pénétration du jet d'eau à haute pression dans la peau.</p>	<p>Restez à l'écart de la buse et du jet! Ne mettez jamais vos mains, doigts ou corps directement en face de la buse pulvérisatrice.</p> <p>Se tenir à l'écart du jet. Ne pas diriger le jet de sortie vers d'autres personnes. Confier l'utilisation de ce matériel à un opérateur qualifié.</p> <p>Maintenez votre zone de travail à l'écart d'autrui.</p> <p>Une surveillance étroite est nécessaire quand l'appareil est utilisé près d'enfants. Ne permettez pas aux enfants de se servir de l'appareil!</p> <p>Demander un secours médical si le jet semble avoir pénétré la peau! Ne traitez pas cela comme une simple coupure!!</p> <p>Les tuyaux à haute pression et les lignes d'alimentation en combustible doivent être inspectés quotidiennement pour surveiller l'état d'usure de l'appareil. Si des signes d'usure sont apparents, remplacez promptement tous les tuyaux et lignes d'alimentation en combustible suspects pour empêcher d'éventuels dommages du jet à haute pression. Si un tuyau ou un réglage de précision fuit, <b>NE METTEZ JAMAIS VOTRE MAIN DIRECTEMENT SUR LA FUITE.</b></p> <p>N'actionnez jamais le pistolet avec la gâchette bloquée en position ouverte. Pour empêcher le débit accidentel, la sécurité du pistolet de déclenchement doit être mise quand celui-ci ne sert pas.</p> <p>Avant d'enlever la buse de pulvérisation ou d'entretenir l'appareil, coupez <b>TOUJOURS</b> l'appareil, puis déclenchez le pistolet pour relâcher la pression. (même après l'arrêt de l'appareil, il y a encore de l'eau à haute pression dans la pompe, le tuyau et le pistolet jusqu'à ce que vous la relâchiez en pressant sur la gâchette du pistolet.)</p>
<p><b>RISQUE DE DÉCHARGE ÉLECTRIQUE OU D'ÉLECTROCUTION</b></p> 	<p>Des blessures graves ou la mort peuvent survenir à la suite d'un contact avec l'électricité.</p>	<p>Ne dirigez pas le jet sur ou dans des installations électriques d'aucune sorte ! Ceci inclut les prises électriques, les ampoules, les boîtes à fusibles, les transformateurs électriques, l'appareil lui-même.</p> <p>Ne pas laisser de composant métallique de la machine entrer en contact avec des composants électriques sous tension.</p>

**INSTRUCTIONS IMPORTANTES DE SÉCURITÉ**  
LISEZ TOUTES LES INSTRUCTIONS DE SÉCURITÉ AVANT UTILISATION

RISQUE	CONSÉQUENCE POTENTIELLE	PRÉVENTION
<p align="center"><b>RISQUE DE BRÛLURE</b></p> 	<p>Ne pas toucher l'échangeur de chaleur sous peine de graves blessures. Ce secteur peut rester chaud pendant un certain temps après l'arrêt du nettoyeur haute pression.</p>	<p>Ne jamais laisser aucune partie de votre corps rentrer en contact avec l'échangeur de</p>
<p align="center"><b>RISQUE D'ÉCLATEMENT</b></p> 	<p>De graves blessures peuvent résulter d'une dysfonction de la machine ou d'éléments explosifs si les composants ou les accessoires de la machine sont inadéquats.</p> <p>Un danger de blessure sérieuse ou de mort existe si l'on essaye de démarrer le nettoyeur quand le système de pompage est gelé.</p>	<p>Ne faites jamais faire de modifications aux pressions pré-réglées d'usine</p> <p>N'excédez jamais l'estimation maximale de pression du fabricant des accessoires.</p> <p>Ne pas laissez de tuyau entrer en contact avec l'échangeur de chaleur afin d'éviter l'éclatement. Évitez de traîner les tuyaux sur des surfaces abrasives telles que le ciment.</p> <p>Pour la réparation, utiliser seulement les pièces recommandées par le fabricant pour votre nettoyeur haute pression.</p> <p>Par des températures en-dessous de zéro, l'appareil doit toujours être assez chaud pour empêcher la formation de glace dans la pompe. S'il a été transporté dans un véhicule ouvert ou mal chauffé, ne pas démarrer le nettoyeur avant d'avoir attendu le dégel de la unité.</p>
<p align="center"><b>RISQUE PROVENANT DES PIÈCES MOBILES</b></p> 	<p>Les pièces mobiles peuvent provoquées de graves blessures.</p>	<p>Avant de faire tout réglage, s'assurer que le moteur est à l'arrêt. S'assurer de débrancher la borne de masse de la batterie avant l'entretien et que le câble(s) d'allumage est enlevé de la/les bougies d'allumage. Le fait de tourner le mécanisme à la main pendant le réglage ou le nettoyage pourrait démarrer le moteur et le mécanisme avec, résultant en de graves blessures pour l'opérateur.</p> <p>Ne pas mettre l'appareil en route sans tous ses caches de protections.</p>


## INSTRUCTIONS IMPORTANTES DE SÉCURITÉ

LISEZ TOUTES LES INSTRUCTIONS DE SÉCURITÉ AVANT UTILISATION

RISQUE	CONSÉQUENCE POTENTIELLE	PRÉVENTION
<p data-bbox="142 205 456 260"><b>RISQUE DE BLESSURES CORPORELLES</b></p> 	<p data-bbox="516 205 927 289">La mort ou des blessures graves peuvent survenir si des détergents entrent en contact avec la peau.</p> <p data-bbox="516 961 938 1087">De sérieuses blessures peuvent être causées par des débris propulsés à haute vitesse à partir du pistolet pulvérisateur</p>	<p data-bbox="959 205 1463 485"><b>APPELEZ UN MEDECIN</b> si vous utilisez des agents nettoyants et que le jet semble avoir pénétré la peau! <b>NE TRAITEZ PAS CELA COMME UNE SIMPLE COUPURE!</b> Préparez vous à dire à un médecin exactement quel genre de détergents vous employez en regardant la fiche matérielle de sécurité (MSDS) fournie avec votre détergent.</p> <p data-bbox="959 520 1442 646">N'employez jamais aucun dissolvant ou détergent fortement corrosifs ou encore des décapants de type acides avec cette machine à pression.</p> <p data-bbox="959 682 1469 835">Le matériel vestimentaire de protection tel que les combinaisons en caoutchouc, les gants et les respirateurs sont recommandés, particulièrement en utilisant des détergents de nettoyage.</p> <p data-bbox="959 871 1404 926">Gardez tous les détergents hors de la portée des enfants!</p> <p data-bbox="959 961 1474 1087">Portez <b>TOUJOURS</b> les lunettes protectrices lorsque vous utilisez le nettoyeur, afin de vous protéger les yeux contre d'éventuels débris volants et de détergents.</p> <p data-bbox="959 1123 1425 1213">Ne dirigez pas le jet vers des matériaux fragiles comme le verre car ceux-ci pourraient se briser.</p> <p data-bbox="959 1249 1479 1339">Restez alerte, observez bien ce que vous faites. N'utilisez pas l'appareil sous l'effet de la fatigue, de l'alcool ou de la drogue.</p>

## INSTRUCTIONS IMPORTANTES DE SÉCURITÉ

LISEZ TOUTES LES INSTRUCTIONS DE SÉCURITÉ AVANT UTILISATION

RISQUE	CONSÉQUENCE POTENTIELLE	PRÉVENTION
<p><b>RISQUE DE BLESSURES CORPORELLES</b></p> 	<p>L'utilisateur pourrait se blesser s'il perd l'équilibre à cause de la poussée d'eau à haute pression dans la buse pulvérisatrice.</p> <p>Le nettoyeur haute pression peut blesser.</p>	<p>Ne JAMAIS actionner la gâchette du pistolet sauf si la sécurité est enclenchée.</p> <p>Ne PAS tendre le bras trop loin ni se tenir sur un appui instable. Maintenez une bonne assise et un bon équilibre</p> <p>Les surfaces humides peuvent être glissantes, portez une protection pour les pieds, gardez une bonne assise et un bon équilibre en permanence.</p> <p>Ne jamais déclencher le pistolet lorsque vous êtes sur une échelle ou un toit.</p> <p>Tenez TOUJOURS fermement le pistolet et la lance au démarrage et en utilisant l'appareil. Faute de quoi, la lance peut tomber et fouetter dangereusement .</p> <p>Sachez stopper le nettoyeur haute pression et purger la pression rapidement. Soyez complètement au courant des contrôles.</p> <p>Ne laissez pas l'appareil pressurisé sans surveillance. Coupez le nettoyeur haute pression relâchez la pression avant de partir.</p> <p>Suivre les instructions d'entretien spécifiées dans ce manuel.</p> <p>Ne démarrez pas l'appareil si vous voyez toute fuite de carburant, de pétrole ou d'eau de la machine. Après coup, ne redémarrer l'appareil qu'après inspection et réparation de la machine par un personnel qualifié. Suivez les instructions d'entretien indiquées dans le manuel.</p> <p>Ne jamais se servir de l'appareil si le régulateur est débranché ou s'en servir à des vitesses excessives.</p> <p>Mettez l'appareil dans un endroit propre, sec, et plat pour l'entretien. Avant d'entretenir l'appareil: arrêtez l'appareil, relâcher la pression de l'eau du pistolet de déclenchement, et laisser l'appareil se refroidir. Entretenez la machine dans un endroit propre, sec, et plat. Si possible, bloquez les roues pour éviter que l'appareil ne se déplace.</p> <p>Ne déplacez pas l'appareil en tirant sur le tuyau.</p>

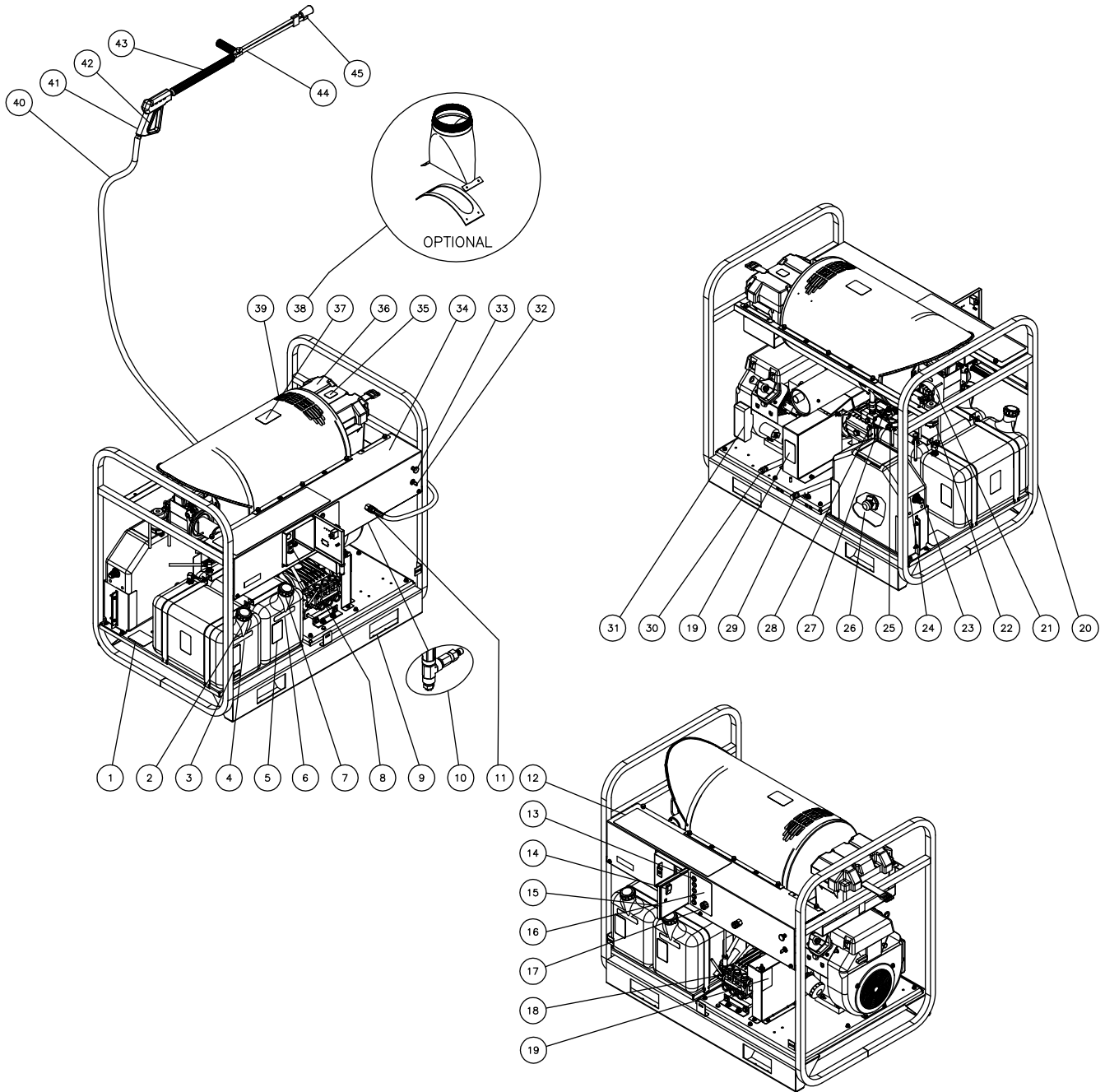


**!GARDEZ CES INSTRUCTIONS!**





# CARACTERISTIQUES DU HDC



HDC FEATURES-032905-RZ



## ENUMERATION DES FONCTIONS

1. Décalque- Plaque de données
2. Réservoir à essence- Rouge / 10 Gallon (37.85 litres)
3. Décalque-Attention: Risque d'incendie-Ne pas utiliser de diesel ou de fuel oil
4. Décalque- Essence seulement
5. Décalque- Attention: Risque d'incendie-Ne pas utiliser d'essence
6. Décalque- Diesel seulement
7. Réservoir à carburant- Vert / 10 Gallon (37.85 litres)
8. Boîtier électrique à charnière
9. Accès chariot élévateur
10. Clapet détendeur de pression
11. Sortie d'eau
12. Décalque- Avertissement/Attention/Fonctionnement
13. Porte buse à raccord rapide
14. Interrupteur à bascule du brûleur
15. Décalque- Tableau électrique
16. Décalque- Buses
17. Soupape de détergent.
18. Pompe haute pression
19. Décalque- Avertissement: Risque de blessures- Poulies apparentes
20. Ensemble du cadre de la cage de protection à tubes émaillés
21. Réglage d'air du brûleur
22. Filtre à essence/ Séparateur d'eau
23. Arrivée d'eau
24. Réservoir à flotteur
25. Clapet purgeur de chaleur
26. Crépine
27. Interrupteur de pression
28. Soupape de déchargement
29. Vidange d'huile de la pompe
30. Vidange d'huile du moteur
31. Moteur
32. Commutateur de la clef du moteur
33. Starter du moteur
34. Panneau de contrôle
35. Décalque- Attention: Débrancher la batterie
36. Batterie et bac de la batterie
37. Décalque- Avertissement: Surfaces chaudes
38. Kit adaptateur du tuyau d'échappement-AW-5740-0000  
Adaptateur du tuyau d'échappement-50-0170  
Joint du tuyau d'échappement- 33-0356
39. Sortie échangeur de chaleur
40. Tuyau haute pression
41. Pistolet de déclenchement
42. Cran de sûreté du pistolet
43. Lance isolée
44. Lance double à pression réglable
45. Buse haute pression

---

## LISTE OPTIONS HDC

<b>PIÈCE#</b>	<b>DESCRIPTION</b>
HX-0130	Vanne sphérique 3 voies
HX-0143	Déchargeur à capture de pression (HDC-3005/3505)
HX-0145	THERMOSTAT RÉGLABLE
HX-0146	COMPTEUR D'HEURES
HX-0147	CROCHET DE LEVAGE



## INSTRUCTIONS D'INSTALLATION ET DE PRÉPARATION

### VÊTEMENT:

Le vêtement approprié est essentiel pour votre sécurité. Il est conseillé d'employer tous les moyens nécessaires pour protéger les yeux, les oreilles, et la peau. Un élément vestimentaire additionnel de sécurité (tel que le masque respiratoire) peut être exigé lors de l'utilisation d'agents nettoyants avec cette machine.



### **DANGER**

#### **RISQUE D'EXPLOSION OU D'INCENDIE**

-QUAND LES BATTERIES SE CHARGENT, ELLES ÉMETTENT UN GAZ D'HYDROGÈNE HAUTEMENT EXPLOSIBLE. UNE ÉTINCELLE POURRAIT ÊTRE LA CAUSE D'UNE EXPLOSION OU D'UN INCENDIE!  
 -NE DÉMARRER PAS EN BRANCHANT LA BATTERIE SUR UNE BATTERIE DE SECOURS SANS AVOIR VÉRIFIÉ QUE LES 2 BATTERIES ONT LA MÊME TENSION ET AMPÉRAGE.  
 -NE PAS PLACER L'APPAREIL DANS UN ENDROIT OU DES VAPEURS INFLAMMABLES PEUVENT ÊTRE PRÉSENTES. UNE ÉTINCELLE POURRAIT LE FAIRE EXPLOSER.

#### **RISQUE D'ÉCLATEMENT DE L'APPAREIL!**

NE PAS RANGER/UTILISER L'APPAREIL À DES TEMPÉRATURES GLACIALES

### INSTALLATION:

1. Cet appareil doit toujours être placé sur une surface plane afin d'assurer une lubrification appropriée de la pompe à eau pendant le fonctionnement. Ne JAMAIS pulvériser d'eau directement sur l'appareil.
- Cet appareil a des sources d'ignition multiples qui pourraient être la cause d'une explosion ou d'un incendie.
2. N'employez pas l'appareil dans un endroit:
    - a. où la ventilation est insuffisante.
    - b. où il y a des traces de pétrole ou de carburant.
    - c. où des vapeurs de gaz inflammable peuvent être présentes.
  3. En cas d'utilisation d'un kit de roues, soyez certain de bloquer les roues pour éviter que l'appareil ne se déplace pendant utilisation.
  4. Ne laissez pas l'appareil exposé à la pluie, à la neige ou à des températures glaciales. Si une partie de l'appareil venait à geler, une pression excessive pourrait s'accumuler dans l'appareil, ce qui pourrait le faire éclater ayant pour résultat des dommages sérieux pour l'utilisateur ou pour des tiers.
  5. Le niveau d'huile de la pompe doit être vérifié avant chaque utilisation. Vérifier l'indicateur de niveau d'huile sur le carter de la pompe. S'assurer que l'huile est au centre de l'orifice de vérification d'huile. Si le niveau semble être bas, faire le plein avec de l'huile de pompe non-détergent SAE20 ou 30.
  6. Votre nettoyeur haute pression est équipé d'un démarreur électrique. Lors du démarrage initial, porter une protection de vue et de peau appropriée en remplissant la batterie d'acide. La batterie doit être chargée à pleine charge pour permettre au démarreur électrique de fonctionner.
  7. Caractéristiques De Batterie:
    - RV / Marine cycle profond à double usage et manivelle batterie.
    - BCI Groupe 24DC
    - Taille de boîte de batterie: 27.9cm x 19.05cm x 20.9cm (la batterie peut être légèrement plus grande et encore être couverte par le couvercle)
    - La batterie devrait avoir la courroie de levage pour l'installation facile.



### **AVERTISSEMENT**

**RISQUE D'ASPHYXIE!**  
 N'UTILISER CE PRODUIT QUE DANS DES ZONES BIEN AÉRÉES  
 NE TRAVAILLEZ PAS DANS UN LIEU CLOS. L'ÉCHAPPEMENT CONTIENT DE L'OXYDE DE CARBONE, UN GAZ TOXIQUE, INODORE ET INVISIBLE. INHALER CE GAZ PEUT PROVOQUER DE SÉRIEUX DOMMAGES OU LA MORT.

## INSTRUCTIONS D'INSTALLATION ET DE PRÉPARATION

### RÉSERVOIRS À CARBURANTS DU MOTEUR/BRÛLEUR

1. Lire avec attention les avertissements "Risque d'explosion ou d'incendie," pages 34-35, avant l'approvisionnement en carburant.
2. Localiser les décalques de sécurité sur votre appareil et tenir compte de leurs avertissements.
3. **Moteurs:** Voir le manuel de l'utilisateur du moteur pour les besoins en carburant.  
**Carburant du brûleur:** Pour remplir le réservoir, utiliser du fuel oil No.1 ou No. 2/diesel ou de la kérosène.
4. Vérifier le niveau d'huile du moteur avant de démarrer le moteur (Voir le manuel du moteur.)
5. Se référer au manuel du moteur fourni avec cet appareil pour les procédures correctes de réglage du moteur.
6. **Revoir le manuel du moteur fourni avec ce nettoyeur haute pression pour les procédures correctes de démarrage du moteur et d'entretien.**



### **DANGER**

#### RISQUE D'INCENDIE

- NE PAS FUMER EN REMPLISSANT LE RÉSERVOIR DE CARBURANT!
- NE PAS REMPLIR LES RÉSERVOIRS DE CARBURANT QUAND L'APPAREIL EST CHAUD OU EN MARCHÉ. LAISSER L'APPAREIL REFROIDIR 2 MINUTES AVANT L'APPROVISIONNEMENT
- NE PAS TROP REMPLIR LE RÉSERVOIR D'ESSENCE. LAISSEZ TOUJOURS 1/4 DE POUCE DU RÉSERVOIR VIDE POUR L'EXPANSION DE L'ESSENCE.



### **AVERTISSEMENT**

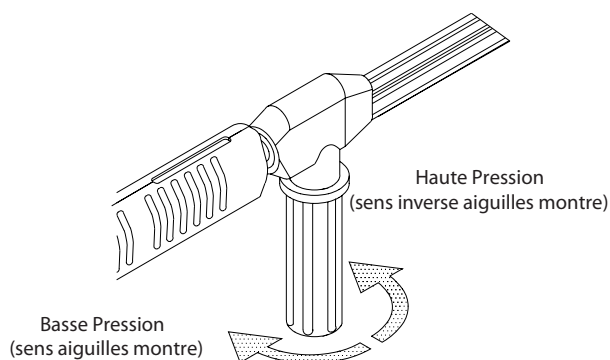
#### RISQUE D'EXPLOSION OU D'INCENDIE!

- TOUJOURS RANGER LE CARBURANT LOIN DE L'APPAREIL QUAND CE DERNIER EST CHAUD OU EN MARCHÉ.

### ENSEMBLE DE LA LANCE DOUBLE AVEC PRESSION RÉGLABLE:

Cet appareil comporte une lance double à pression réglable qui permet à l'utilisateur de choisir une pulvérisation à haute ou basse pression. Tourner simplement la poignée réglable sur la lance double pour choisir la pression désirée.

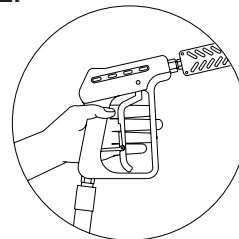
1. Le choix de la haute pression peut être effectué en tournant la poignée réglable de la double lance dans le sens contraire des aiguilles d'une montre comme représenté sur la figure ci-dessous.
2. Le choix de la basse pression peut être effectué en tournant la poignée réglable sur la double lance dans le sens des aiguilles d'une montre comme représenté sur la figure ci-dessous.



### **AVERTISSEMENT**

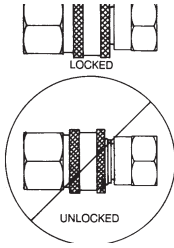
#### RISQUE D'INJECTION CAUSANT DES BLESSURES GRAVES!

- LA SECURITE DU PISTOLET DOIT ETRE ENCLENCHEE ENTRE CHAQUE UTILISATION
- NE JAMAIS REGARDER DIRECTEMENT DANS LA BUSE SAUF SI CELLE CI EST DECONNECTEE DE LA DOUBLE LANCE.

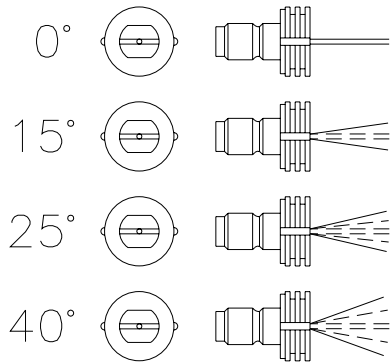


## INSTRUCTIONS D'INSTALLATION ET DE PRÉPARATION

### VERROUILLAGE DE LA BUSE



### BUSES



### BUSES À RACCORDS RAPIDES:

Divers types de buses peuvent être raccordés rapidement à l'extrémité de la lance double à pression réglable afin de modifier le motif de pulvérisation. La buse à détergents a été installée à l'usine. Lors de l'utilisation des raccords rapides, s'assurer que le raccordement est solidement enclenché comme indiqué à droite. En cas contraire, l'eau à haute pression risque de violemment projeter la buse de la lance, causant des blessures graves et des dégâts sérieux. Pour déterminer l'angle de dispersion de pulvérisation, se reporter au numéro exact gravé sur la buse. Les deux premiers chiffres indiquent le degré d'angle de dispersion de pulvérisation: 00=0°, 15=15°, 25=25°, 40=40°, 60=65°.

#### 1. La buse 0° (ROUGE):

C'est une buse décapante. Elle fournit un jet d'eau très concentré. Être très prudent lors de l'utilisation de ce jet étroit et droit. Il est déconseillé de l'utiliser sur les surfaces peintes ou en bois ou sur les objets attachés par un dos adhésif. Utilisations: enlèvement des herbes dans les fissures des trottoirs, enlèvement des taches récalcitrantes sur le béton, la maçonnerie, l'aluminium et l'acier, des boues desséchées adhérant au matériel et nettoyage du dessous des tondeuses à gazon.

#### 2. La buse 15° (JAUNE):

C'est une buse de raclage. Le jet doit être dirigé à un angle de 45° par rapport à la surface et doit être utilisé comme un grattoir pour l'enlèvement de la peinture, de la graisse et des saletés. Utilisations: Préparation des surfaces (élimination des taches de moisissure et des écailles de peintures).

#### 3. La buse 40° (BLANCHE):

C'est une buse de lavage. Ce large motif de pulvérisation disperse l'eau sur une très grande surface et est recommandé pour les lavages modérés. Utilisations: lavage des revêtements de maisons en aluminium, des fenêtres, des véhicules, pulvérisation des trottoirs, des allées et des patios.

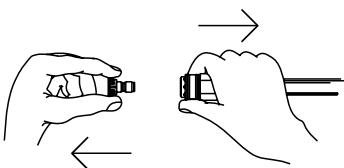
#### 4. La buse 25° (VERTE):

C'est une buse de balayage. Son motif de pulvérisation est idéal pour éliminer la poussière, la boue et autres saletés. Utilisations: nettoyage de feuilles mortes sur les trottoirs, les bords de trottoirs et les allées, nettoyage du sol des étables, du fond des piscines, dégraissage des moteurs.

#### 5. La buse 65°: (fourni avec la lance double)

C'est une buse à détergents. L'ample motif de pulvérisation distribue la solutions sur des surfaces vastes. Utilisations: application de détergent, brumisation ou rinçage.

### RACCORD DE BUSE



### RACCORDEMENT DE BUSE

1. S'assurer que le pistolet de déclenchement est bien verrouillé en position d'arrêt (OFF).
2. Les buses à raccords rapides peuvent être connectées et déconnectées de l'ensemble de la lance double en rétractant la bague de blocage du raccord rapide. Pour raccorder la buse désirée, pousser la bague de blocage par dessus la buse à raccord rapide pour sécuriser la connection.

## INSTRUCTIONS D'INSTALLATION ET DE PRÉPARATION

### APPROVISIONNEMENT EN EAU:

Alimentation sous pression:

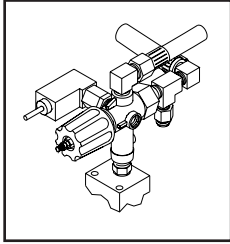
1. Choisissez un tuyau d'approvisionnement en eau qui soit un tuyau de jardin de qualité mesurant au moins  $\frac{3}{4}$  in. (19mm) de diamètre et pas plus de 50 ft (15m).
2. S'assurer que la crépine est propre et libre d'obstructions. Vérifier que le réservoir à flotteur est libre de corps étrangers ou de débris. Une cavitation qui causera la défaillance prématurée des garnitures de la pompe peut survenir si l'écoulement d'eau à la pompe devient restreint.
3. Relier une extrémité du tuyau d'approvisionnement en eau à l'entrée du réservoir à flotteur et l'autre extrémité à l'approvisionnement en eau pressurisé.

**NOTE:** *S'il y a une teneur en minéraux élevée dans votre eau, on recommande l'emploi d'un adoucissant afin empêcher la possibilité d'un dépôt excessif de calcaire à l'intérieur de l'enroulement d'échangeur de chaleur.*

4. Suivez les exigences pour l'eau entrante énumérées ci-dessous:
  - a. La pression de l'eau doit être entre un minimum de 20 PSI (1.4 kg/cm<sup>2</sup>) et un maximum de 65 PSI (4.6kg/ cm<sup>2</sup>)
  - b. Le débit à l'entrée doit être approximativement un gallon (3.8l) de plus que le débit à la sortie, lequel est indiqué sur la plaque signalétique de la machine. (vous pouvez vérifier le débit en chronométrant en combien de temps il remplit un récipient de 5 gallons (19l)).
  - c. La température de l'eau à l'entrée ne doit pas excéder 125°F (52°C). La pompe peut subir des dommages si la température excède ce niveau.
5. Ne laissez jamais l'appareil fonctionner sans le tuyau d'arrivée d'eau raccordé et l'approvisionnement en eau complètement ouvert.

## INSTRUCTIONS D'INSTALLATION ET DE PRÉPARATION

### VALVE DU DECHARGEUR



### DECHARGEUR:

Le déchargeur a été préréglé à l'usine.

---

### PROCÉDURES D'INSPECTION AVANT LA MISE EN MARCHÉ:

Avant de démarrer l'appareil, exécuter les procédures suivantes:

1. Vérifier le niveau d'huile de la pompe.
2. Inspecter la crépine d'admission d'eau. Nettoyer ou remplacer au besoin. Voir "approvisionnement en eau".
3. Vérifier tous les raccordements de tuyau pour s'assurer qu'ils sont solidement serrés.
4. Vérifier qu'il n'y a pas de fuites d'eau, de fuites d'huile et de fuites de carburant du système. Si une fuite de carburant est découverte, NE PAS DEMARRER L'APPAREIL! Voir les avertissements "risque d'explosion ou d'incendie" pages 34-35. S'assurer que toutes les pièces endommagées sont remplacées et que les problèmes mécaniques sont corrigés avant l'utilisation de l'appareil. Si vous avez besoin d'aide, contacter le service clientèle.
5. Inspecter les tuyaux à haute pression afin de détecter d'éventuelles compressions, coupures ou fuites. Si une coupure ou une fuite est découverte, N'UTILISER PAS LE TUYAU! Remplacer le tuyau avant de démarrer l'appareil. Voir les avertissements "risque d'injection" page 38. S'assurer que toutes les pièces endommagées sont remplacées et que les problèmes mécaniques sont corrigés avant l'utilisation de l'appareil. Si vous avez besoin d'aide, contacter le service clientèle.

## FIN DES CONSIGNES DE PRÉPARATION

# **AVERTISSEMENT**

**LES PAGES SUIVANTES CONTIENNENT LES CONSIGNES  
D'UTILISATION ET D'ENTRETIEN**

**NE TENTEZ PAS DE FAIRE FONCTIONNER L'APPAREIL AVANT  
D'AVOIR LU ET COMPRIS TOUTES LES INSTRUCTIONS DE SÉCURITÉ  
CONTENUES DANS CE MANUEL.**

**L'UTILISATION INAPPROPRIÉE DE CET APPAREIL PEUT CAUSER DES  
BLESSURES SÉRIEUSES**

**NE PAS ALTERER OU MODIFIER L'ÉQUIPEMENT EN AUCUNE MANIÈRE!**





## ATTENTION

### RISQUE DE DOMMAGES POUR L'APPAREIL.

ASSUREZ VOUS QUE LE PISTOLET DECLENCHEUR ET LA DOUBLE LANCE NE SONT PAS RACCORDES LORS DE LA VIDANGE DU SYSTEME LA VIDANGE PERMET AU SYSTEME D'EVACUER LES DEPOTS MINERAUX, QUI OBSTRERAIENT OU ENDOMMAGERAIENT LA BUSE ET LE PISTOLET DECLENCHEUR, PROVOQUANT DES REPARATIONS COUTEUSES.

## CONSIGNES D'UTILISATION:

### VIDANGE DU SYSTEME:

Cet appareil a un enrouleur en acier qui, après réglage, fera en sorte que l'eau restante dans l'enrouleur de la précédente utilisation tourne au brun ou au noir. Cette eau doit être vidangée du système avant le démarrage. Ce procédé doit être exécuté sans le tuyau à haute pression, pistolet et double lance installés.

1. Ouvrir l'approvisionnement en eau.
2. Démarrer le moteur de l'appareil. De l'eau sous basse pression commencera à couler par la sortie d'eau. Ceci permet à l'appareil de purger toutes les particules du système. L'appareil est purgé quand l'eau est claire.
3. Une fois que le système est rincé, mettre le moteur à l'arrêt et relier le tuyau haute pression à la sortie d'eau de l'appareil.
4. Raccorder le pistolet de déclenchement et l'ensemble de la lance double au tuyau haute pression.
5. Installer la buse désirée dans l'ensemble de la lance double.



## AVERTISSEMENT

### RISQUE D'INJECTION CAUSANT DES BLESSURES GRAVES!

-ELOIGNEZ VOUS DE LA BUSE! NE PAS METTRE LES MAINS OU LES DOIGTS DEVANT LA BUSE!

-NE PAS DIRIGER LE JET DIRECTEMENT SUR DES PERSONNES OU ANIMAUX DOMESTIQUES!

### DEMARRAGE/FONCTIONNEMENT A L'EAU FROIDE:

1. Référez-vous aux "mesures de sécurité" pgs.30-36 avant de démarrer l'appareil.
2. Localisez les décalques de sécurité sur votre appareil et observez leurs avertissements.
3. S'assurer que l'interrupteur du brûleur est en position d'arrêt (OFF).
4. En dirigeant le pistolet de déclenchement dans une direction sûre, désenclenchez la sécurité du pistolet de déclenchement et pressez la gâchette. Hold the trigger gun open while starting the engine according to the manufacturer's instructions in the engine manual accompanying the machine. Préparez-vous au possible contrecoup du pistolet quand la pompe démarra.
5. Une fois que l'appareil a démarré, exécutez les procédures suivantes avec le pistolet ouvert:
  - a. Déceler les éventuelles fuites d'eau de système, les fuites d'huile et les fuites de carburant. Si une fuite de carburant est trouvée, ARRÊTEZ L'APPAREIL IMMÉDIATEMENT! Voir "Risque d'explosion ou d'incendie", page 34-35. Assurez-vous que toutes les pièces endommagées sont remplacées et que les problèmes mécaniques sont corrigés avant utilisation de l'appareil. Si vous avez besoin d'assistance, entrez en contact avec le service clientèle.
  - b. Inspectez les tuyaux à haute pression afin d'y déceler une éventuelle compression, coupure ou fuite. Si vous trouvez une coupure ou une fuite, NE TOUCHEZ PAS LE TUYAU QUI FUIT!!! ARRÊTEZ L'APPAREIL IMMÉDIATEMENT! Remplacez le tuyau avant de démarrer l'appareil. Voir "Risque de piqûre ou de coupure grave" page 36. Assurez-vous que toutes les pièces endommagées sont remplacées et que les problèmes mécaniques sont corrigés avant le fonctionnement de l'appareil. Si vous avez besoin d'assistance, entrez en contact avec le service clientèle.
6. L'appareil fonctionne maintenant comme nettoyeur haute pression à eau froide. Presser la gâchette du pistolet à plusieurs reprises. Tourner la poignée réglable de la lance double pour les applications haute et basse pression. NE JAMAIS placer la main ou les doigts devant la buse, ni regarder directement dans la buse!
7. Ne jamais laisser l'appareil fonctionner en mode de déviation (avec le déclenchement fermé) pendant plus de trois minutes. Le non-respect de cette règle simple peut causer la défaillance prématurée des joints de pompe.

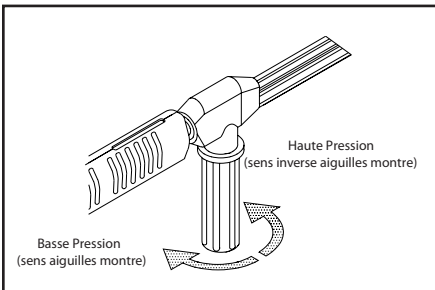


## ATTENTION

### RISQUE DE DOMMAGES

NE PAS DIRIGER LE JET AU MEME ENDROIT PENDANT LONGTEMPS. DES DOMMAGES POSSIBLES POURRAIENT AFFECTER L'ENDROIT

### POIGNÉE DE REGLAGE



## AVERTISSEMENT

### RISQUE DE BRÛLURE!

LA TEMPERATURE DE L'EAU PEUT DEVENIR TRÈS ÉLEVÉE PENDANT LE FONCTIONNEMENT A LA VAPEUR. SOYEZ PRUDENT EN REGLANT LA PRESSION ET EN MANIPULANT LA DOUBLE LANCE ET LE PISTOLET DE DÉCLENCHEMENT!

### FONCTIONNEMENT À L'EAU CHAUDE:

1. Suivez les étapes 1-7 données pour "DEMARRAGE/FONCTIONNEMENT A L'EAU FROIDE".
2. Mettre l'interrupteur du brûleur en position de marche (ON).
3. Révifier le système pour des fuites de carburant. Si une fuite de carburant est découverte, METTRE L'APPAREIL A L'ARRÊT IMMÉDIATEMENT! Voir les avertissements "risque d'explosion ou d'incendie." S'assurer que toutes les pièces endommagées sont remplacées et que les problèmes mécaniques sont corrigés avant l'utilisation de l'appareil. Si vous avez besoin d'aide, contacter le service clientèle.

**NOTE:** Au démarrage initial, l'eau commencera à devenir chaude en approximativement 20 secondes et atteindra la température maximale en approximativement 2-1/2 minutes, si le pistolet de déclenchement reste ouvert. Le brûleur cesse de chauffer quand la gâchette est relâchée.



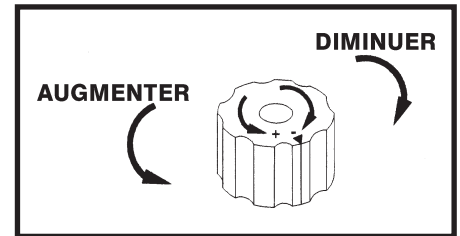
## CONSIGNES D'UTILISATION:

DETERGENT HAUTE PRESSION: (Nettoyage avec détergents)

**NOTE:** Ce dispositif est conçu pour être utilisé uniquement avec des détergents doux. Puisque la solution de nettoyage circule par la pompe et le serpentin de l'échangeur de chaleur, ne pas employer de corrosifs car ils causeront des dommages conséquents et présenteront un risque considérable en matière de sécurité.

1. Se référer à "risques de blessures physiques/détergents" page 36-37. S'assurer de porter un vêtement de sécurité comme indiqué à la page 42.
2. Préparer la solution détersive selon les directives de l'étiquette. (Ne jamais pomper d'acides, d'alcalines, de fluides abrasifs ou de dissolvants dans l'appareil. En raison des caractéristiques inconnues et souvent corrosives de beaucoup de détergents généralement utilisés dans l'industrie de nettoyage des nettoyeurs à pression, il est recommandé d'employer uniquement des détergents doux avec cet appareil.)
3. Immerger entièrement le *bout crépine* du tuyau de détergent transparent en vinyl dans la solution détersive.
4. Pour appliquer la solution: ouvrir le pistolet de déclenchement et presser la gâchette. En quelques instants, un mélange de détergent/eau sortira de la buse. Commencer à pulvériser la partie inférieure de la surface à nettoyer et remonter, tout en décrivant de longues courbes qui se chevauchent. L'application du produit du bas vers le haut aide à éviter les stries. Laisser brièvement imbiber. Eviter de travailler sur les surfaces chaudes ou au soleil pour réduire au minimum la possibilité de séchage du détergent, qui peut avoir comme conséquence d'abîmer les surfaces. Appliquer la solution de nettoyage petite section par petite section.
5. Pour rincer: bloquer le pistolet de déclenchement en position d'arrêt (OFF). Tourner la valve de régulation des détergents jusqu'à la position d'arrêt (OFF). Ouvrir le pistolet de déclenchement et pulvériser. Cela prendra environ 30 secondes pour purger tout le détergent du tuyau. Pour les meilleurs résultats au rinçage, commencer par le haut et finir par le bas.
6. Siphonner un gallon d'eau à travers le système d'injection de détergent après chaque utilisation. Ceci évite la possibilité de corrosion ou de résidu de détergent qui pourraient poser des problèmes mécaniques à la prochaine utilisation.

### VALVE DE RÉGULATION DES DETERGENTS



---

### ARRÊT:

1. Mettre l'interrupteur du brûleur en position d'arrêt (OFF).
2. Presser la gâchette et décharger l'eau pendant une période de trois minutes pour refroidir l'échangeur de chaleur et le tuyau à haute pression. (Un temps de refroidissement du tuyau à haute pression insuffisant abîmera le tuyau et augmentera les risques de rupture de celui-ci.)
3. Ne pas fermer le starter pour arrêter le moteur. Ceci peut causer des ratés d'allumage ou même endommager le moteur.
4. Mettre l'interrupteur de la clef du moteur en position d'arrêt (OFF).
5. Arrêtez l'approvisionnement en eau et actionnez le pistolet momentanément afin de relâcher la pression.

Débranchez et vidangez le tuyau à haute pression, le pistolet, et la double lance. Essuyez l'appareil et entreposez le dans un environnement où la température est supérieure à 0°C.

## CONSIGNES D'UTILISATION:

### OPTIONS:

#### THERMOSTAT REGLABLE:

Régle la température de décharge maximale. Tourner le bouton de commande jusqu'à la température de décharge maximum désirée. Ceci peut provoquer un allumage intermittent du brûleur.

#### VANNE SPHERIQUE: (Réservoir auxiliaire)

1. Raccorder le tuyau depuis le réservoir auxiliaire jusqu'à l'embout disponible de la vanne sphérique à 3 voies.
2. Se servir du levier sélecteur sur la vanne sphérique pour permettre à l'eau de circuler du réservoir auxiliaire jusqu'à la pompe.
3. Le niveau de l'eau dans le réservoir auxiliaire doit toujours être plus haut que l'arrivée d'eau de la pompe. Ceci garantit l'alimentation en eau de la pompe par gravité. Le fait de ne pas maintenir le niveau de l'eau au dessus de l'arrivée d'eau de la pompe aura les conséquences suivantes: la pompe s'asséchera et le coté mouillé de la pompe sera endommagé.

## CONSIGNES DE STOCKAGE ET D'ENTRETIEN

### ENTRETIEN SPECIFIQUE:

#### ENTRETIEN DES PIÈCES D'ÉMISSION PAR ÉVAPORATION:

Les pièces fournies avec l'appareil que vous venez d'acheter sont conformes aux normes d'émission par évaporation du Comité des Ressources de l'Air de la Californie pour l'année 2006.

1. Canalisation de carburant
2. Raccords de canalisation de carburant

Ces pièces doivent être examinées tous les jours afin de s'assurer qu'elles ne comportent ni fissures, ni fuites, ni usure anormale. Si vous constatez toute fissure, fuite ou usure anormale, vous devez remplacer immédiatement les pièces concernées.

**MOTEUR:** Le manuel d'instruction du moteur qui accompagne votre appareil liste les procédures spécifiques d'entretien du moteur. Le fait de respecter les recommandations du fabricant à propos du moteur prolongera la vie du moteur.

**POMPE:** Changez l'huile de pompe après les 50 premières heures d'utilisation. Après quoi, il est recommandé de changer l'huile tous les trois mois ou 250 heures. Si l'huile semble sale ou laiteuse, des changements d'une plus grande fréquence peuvent être exigés. Employez l'huile de pompe SAE20 ou 30 hors détergent et remplissez seulement au centre de l'orifice de vérification d'huile. Ne remplissez pas au-dessus du niveau.

**BUSE:** L'eau à haute pression dans la buse de pulvérisation rongera l'orifice, le rendant plus grand, ayant pour résultat une perte de pression. Les buses doivent être remplacées toutes les fois que la pression baisse au-dessous de 85% du maximum. La fréquence du remplacement dépendra des variables telles que la teneur en minéraux dans l'eau et le nombre d'heures d'utilisation de la buse.

#### ENTRETIEN-TOUS LES 3 MOIS:

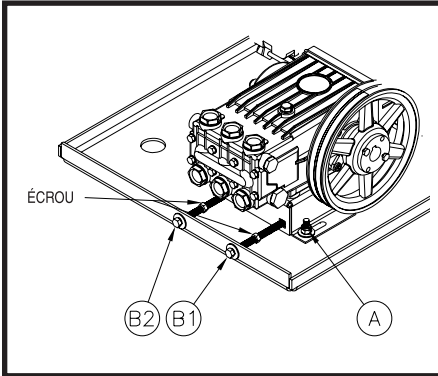
**CHANGER L'HUILE DE LA POMPE:** S'assurer que l'appareil est à l'arrêt. Changer l'huile de pompe après les 50 premières heures d'utilisation. Après le changement initial, des intervalles de tous les trois mois ou 500 heures sont recommandés. Si l'huile semble sale ou laiteuse, des changements d'une plus grande fréquence peuvent être exigés. Employer l'huile de pompe non-détergente SAE20 ou 30 et remplir seulement jusqu'au centre de l'orifice de vérification d'huile. Ne pas remplir au-dessus du niveau.

**REMPLETER LA BUSE HAUTE PRESSION:** Le passage de l'eau à travers la buse de pulvérisation rongera l'orifice, le rendant plus grand, ayant pour résultat une perte de pression. Les buses doivent être remplacées toutes les fois que la pression baisse au-dessous de 85% du maximum. La fréquence du remplacement dépendra des variables telles que la teneur en minéraux dans l'eau et le nombre d'heures d'utilisation de la buse.

## CONSIGNES DE STOCKAGE ET D'ENTRETIEN

### ENTRETIEN: TOUS LES 3 MOIS SUITE:

**INSPECTION DE LA COURROIE:** S'assurer que l'appareil est à l'arrêt et enlever les carters de courroie. Examiner la courroie trapézoïdale pour signes d'usure et de détente. Si la courroie trapézoïdale a besoin d'être remplacée ou serrée, suivre les procédures ci-dessous:



#### Remplacement:

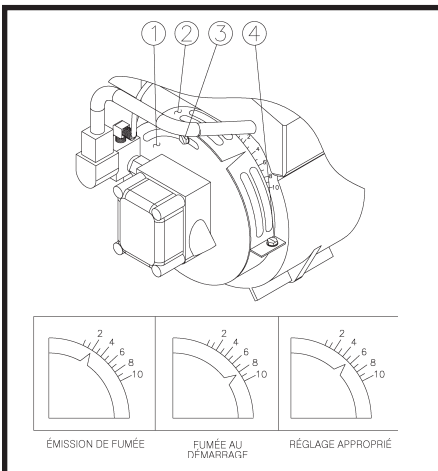
1. Desserrer les quatre boulons de fixation (A).
2. Desserrer les deux écrous d'alignement d'environ un pouce (2,54 cm) par rapport au boulons d'alignement (B1 & B2).
3. Pousser la pompe vers le moteur pour détendre les courroies.
4. Enlever et remplacer la courroie.

**Serrage:** (Si la courroie trapézoïdale n'a pas été remplacée, il sera nécessaire de desserrer les écrous des boulons d'alignement B1 et B2 avant de procéder.)

1. Serrer le boulon d'alignement B2. La pompe se déplacera vers la gauche jusqu'à ce qu'il y est de la tension sur la courroie. Puis serrer l'écrou B2.
2. Serrer le boulon d'alignement B1 jusqu'à ce que les poulies s'alignent. (Se servir d'une règle pour vérifier l'alignement.)
3. Pousser sur la courroie trapézoïdale pour vérifier la déflexion de la courroie pour sa tension. Il devrait y avoir entre 1/4 et 1/2 pouce (6 et 12mm) de déflexion lorsque la tension est correcte.
4. Si les poulies sont alignées et si la tension est correcte, resserrer l'écrou B1 et les quatre boulons de fixation de la pompe (A).
5. Si la tension n'est pas correcte, répéter les étapes 6 et 7 jusqu'à ce que l'alignement et la tension correctes soient obtenus. Serrer les quatre boulons de fixation (A) en fin d'opération.
6. Desserrer l'écrou B2, serrer le boulon B2, serrer l'écrou B2.
7. Desserrer l'écrou B1, serrer le boulon B1, serrer l'écrou B1.

**REGLAGE DE L'AIR DU BRÛLEUR:** Le volet d'air a été pré-réglé en usine pour un fonctionnement approprié entre le niveau de la mer et 2000 pieds (609 mètres) d'altitude en conditions standard (des températures d'air et d'eau ambiante de 60°F/15°C). Pour assurer une efficacité de combustion maximum à des températures plus froides et des altitudes plus élevées, il conviendra de régler l'alimentation en air sur la chambre de combustion. Cet ajustement aidera à maximiser l'efficacité du brûleur et évitera que le fonctionnement devienne inefficace et que le serpentin de l'échangeur de chaleur ne s'encrasse de manière excessive. Un test de fumée est recommandé pour tout réglage du volet d'air et de la bande d'air. Si vous n'avez pas l'équipement pour faire un test de fumée, suivre les procédures ci-dessous.

### RÉGLAGE DE L'AIR DU BRÛLEUR



1. L'appareil doit être en marche et le brûleur doit être allumé (ON).
2. Desserrer la vis de blocage (#3 à gauche) sur le volet.
3. Observer la fumée sortant de l'échappement de l'échangeur de chaleur. Si aucune fumée n'est visible, fermer lentement le volet d'air (#1 à gauche) en tournant le bouton gradué dans le sens inverse des aiguilles d'une montre vers une graduation plus basse. Continuer à tourner le bouton jusqu'à ce que de la fumée apparaisse.
4. Noter la graduation atteinte.
5. Ouvrir le volet d'air (#1 à gauche) de deux graduations. Par exemple si le bouton était réglé sur 2, le tourner jusqu'à 4.
6. Mettre en route et arrêter le pistolet en actionnant lentement la gâchette. Ceci fera démarrer et s'arrêter le brûleur. Observer si une bouffée de fumée apparaît quand le brûleur se déclenche.
7. Répéter les étapes 5 et 6 jusqu'à ce qu'une bouffée de fumée apparaisse. Noter la graduation correspondante.
8. L'intervalle entre les graduations des étapes 4 et 7 est la fenêtre de combustion. Positionner le bouton gradué à mi-chemin de ces deux graduations.

**NOTE:** Si vous n'arrivez pas à trouver un réglage dans les étapes 3 ou 7, un peu plus ou un peu moins d'air est peut être nécessaire pour obtenir une bonne fenêtre de combustion. Desserrer le boulon (#4 à gauche) et ouvrir la bande d'air (#2 à gauche) par incréments d'1/4" de pouce (6mm). Répéter les étapes 3 à 8 jusqu'à ce que la fenêtre de combustion appropriée soit atteinte.

**TESTER LA PRESSION D'EAU ET DE CARBURANT:** Ces procédures doivent être exécutées par un technicien de service qualifié.

**TESTER LA TEMPÉRATURE DE L'EAU:** Cette procédure doit être exécutée par un technicien de service qualifié.

## CONSIGNES DE STOCKAGE ET D'ENTRETIEN

### ENTRETIEN-TOUS LES 6 MOIS

**REPLACER LE FILTRE A CARBURANT** – Suivre les instructions spécifiées sur le filtre à carburant pour les procédures correctes.

### ENTRETIEN-TOUS LES 12 MOIS

**DETARTRAGE DE LA BOBINE** – Une perte de pression peut signifier que la bobine a besoin de détartrage. Effectuer cette procédure régulièrement.

1. Mélanger la poudre/solution de détartrage selon les indications de l'emballage.
2. Enlever la buse de la lance. Placer un bas en nylon sur la lance pour récupérer les débris, puis placer la lance dans le réservoir à flotteur.
3. S'assurer que le pistolet de déclenchement est ouvert et démarrer le moteur pour permettre à l'eau de circuler à travers le système. Laisser l'eau circuler pendant 2 à 4 heures (Consulter les instructions spécifiées sur le paquet de l'agent de détartrage pour le temps exact).
4. Une fois le processus terminé, mettre la machine à l'arrêt. Vidanger et nettoyer le réservoir à flotteur, enlever le bas en nylon, et nettoyer l'ensemble du pistolet et de la lance.
5. Rincer tout le système avec de l'eau propre et fraîche, puis placer la buse dans l'ensemble de la lance.
6. Disposer de la solution de détartrage selon les réglementations locales, d'état et fédérale.

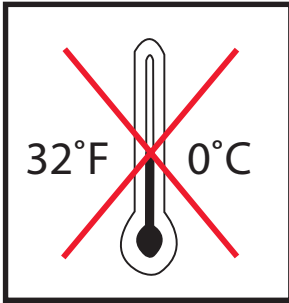
**TESTER LA TENSION ET L'AMPERAGE CONSOMMES**- Se servir d'un voltmètre et d'un ampèremètre pour tester l'appareil pour la tension et l'ampérage appropriés. Si vous n'avez pas ces instruments ou si vous n'êtes pas sûr des procédures à suivre pour exécuter ces tests, contacter un technicien de service qualifié pour exécuter la procédure.

**INSPECTER LE FILTRE INTERIEUR DE LA POMPE A CARBURANT DU BRULEUR**- Cette procédure doit être exécutée par un technicien de service qualifié.

**VERIFIER LES ELECTRODES DU BRULEUR** - Cette procédure doit être exécutée par un technicien de service qualifié.

**REPLACER LA BUSE A CARBURANT**- Cette procédure doit être exécutée par un technicien de service qualifié.

## CONSIGNES DE STOCKAGE ET D'ENTRETIEN



### PREPARATION POUR L'HIVER:

**NOTE:** La préparation pour l'hiver correcte se base sur les instructions du fabricant énumérées sur le "tableau de protection" visible sur l'étiquette arrière de la plupart des récipients d'antigel.

PREPARATION POUR L'HIVER: Pour le stockage et le transport dans des températures glaciales, il faudra préparer l'appareil pour l'hiver. Cet appareil doit être protégé aux plus basses températures pour les raisons suivantes:

- si n'importe quelle partie du système de pompage venait à geler; un trop-plein de pression pourrait s'accumuler dans l'appareil, ce qui pourrait le faire éclater, il en résulterait des blessures graves pour l'utilisateur ou des tiers.
- le système de pompage de cet appareil peut être endommagé de manière permanente si il gèle. Les DOMMAGES de GEL NE SONT PAS COUVERTS PAR LA GARANTIE.

Si vous devez entreposer votre appareil dans un endroit où la température peut tomber en dessous de 32°F (0°C) vous pouvez tout de même protéger votre appareil en utilisant la procédure ci-dessous.

### NETTOYAGE PAR SOUFFLAGE D'AIR:

- Enlever la buse de l'ensemble de la lance. Appuyer sur la gâchette jusqu'à ce que l'eau cesse de s'écouler de la lance.
- Raccorder un ajustage à air d'un tuyau à air au raccord de la crépine du réservoir à flotteur.
- Faire passer de l'air comprimé à travers le système pour enlever toute l'eau du système.

### SOLUTION ANTIGEL:

- Verser un mélange d'antigel et d'eau dans le réservoir à flotteur.
- Placer la crépine à détergent dans une solution d'antigel pur.
- Mettre l'interrupteur à la position "Pompe." Laisser l'antigel siphonner à travers le système jusqu'à ce que le mélange s'écoule par la sortie. (La solution d'antigel doit s'écouler par la sortie pour assurer la préparation pour l'hiver du serpentin. Rajouter du mélange de la solution antigel au réservoir à flotteur si nécessaire.)
- Entreposer la solution d'antigel pour une utilisation future ou s'en débarrasser selon les lois EPA d'état.

## GUIDE DE DÉPANNAGE

SYMPTÔME	CAUSE PROBABLE	SOLUTION
Le moteur ne démarre pas.	Problèmes du moteur.  Les parties constituant de l'appareil sont gelées.	Se référer au manuel du moteur fourni avec l'appareil.  Laisser dégeler. Si l'une des parties de l'appareil gèle, la pression dans l'appareil peut devenir excessive ce qui pourrait faire exploser l'appareil et blesser gravement son utilisateur et les personnes à proximité.
Aucune décharge ne sort de la buse lorsque la gâchette est pressée.	Approvisionnement en eau inadéquat.	S'assurer que le tuyau a un diamètre intérieur de $\frac{3}{4}$ de pouce (1.9cm) et que l'alimentation en eau est ouverte.
Aucune pression ou pression fluctuante.	Pli dans le tuyau d'admission d'eau.  Crépine de l'admission d'eau obstruée.  La pompe aspire de l'air (Amorçage éliminé).  Mode haute pression non enclenché.  La buse de pulvérisation est obstruée ou usée.  Ensemble Valve usée ou endommagée.  Garnitures de pompe usées.  Le déchargeur/La soupape de dérivation ne fonctionne pas correctement.	Déplier.  Retirer la crépine, nettoyer ou remplacer.  Resserrer tous les raccords d'arrivée d'eau. Éliminer les fuites dans les canalisations d'arrivée d'eau.  Insérer la buse haute pression.  Tourner la poignée réglable de la lance double dans le sens inverse des aiguilles d'une montre jusqu'à haute pression.  Retirer et nettoyer ou remplacer.  Retirer et nettoyer ou remplacer.  Remplacer les garnitures.  Réparer ou remplacer.
L'huile est laiteuse ou écumeuse.	Présence d'eau dans l'huile.	Changer l'huile de la pompe. Remplir au niveau correct.
De l'huile s'écoule de l'appareil.	Joints ou joints toriques usés.	Contactez le service clients.
De l'eau fuit au niveau de la soupape de sûreté.	Fonctionnement défectueux du déchargeur.  Fonctionnement défectueux de l'interrupteur de pression.  La soupape de sûreté est défectueuse.	Détecter et corriger le problème du déchargeur.  Détecter et corriger le problème de l'interrupteur de pression.  Remplacer la soupape de sûreté. NE JAMAIS faire fonctionner l'appareil sans la soupape de sûreté. Une explosion pourrait en être le résultat.



## GUIDE DE DÉPANNAGE

SYMPTÔME	CAUSE PROBABLE	SOLUTION
Le détergent ne se siphonne pas.	<p>La crépine n'est pas complètement immergée dans la solution de détergent.</p> <p>La crépine à détergent est obstruée.</p> <p>Le tuyau à détergent est coupé, obstrué ou plié.</p> <p>La buse est bouchée.</p> <p>Le bouton de réglage du détergent est en position fermé.</p>	<p>Vérifier, immerger au besoin.</p> <p>Inspecter, nettoyer ou remplacer.</p> <p>Inspecter, nettoyer ou remplacer.</p> <p>Nettoyer ou remplacer.</p> <p>Ouvrir le bouton de réglage. Voir page 49 «Nettoyage avec des détergents ».</p>
L'eau refoule dans le réservoir à détergent.	Ball & Spring in detergent strainer is obstructed.	Retirer, nettoyer ou remplacer.
L'eau s'écoule de la buse lorsque le pistolet déclencheur est verrouillé en position «Off ».	Le pistolet déclencheur est défectueux.	Réparer ou remplacer
Le moteur ventilateur ne marche pas. (Le brûleur ne s'allumera pas si le ventilateur ne souffle pas)	Fonctionnement défectueux du moteur Brûleur/Ventilateur.	Réparer ou remplacer
Le ventilateur marche, mais le brûleur ne se déclenche pas.	<p>L'interrupteur du brûleur n'est pas en position de marche.</p> <p>Le bouton du thermostat est en position d'arrêt (OFF).</p> <p>Le pistolet de déclenchement est fermé. Plus de carburant.</p> <p>La soupape de détergent est ouverte, mais le tuyau de détergent n'est pas complètement submergé dans la solution. (En conséquence, les mécanismes de sécurité arrête le brûleur.)</p> <p>Annulation de l'interrupteur de pression</p> <p>Pas de tension.</p> <p>Alimentation en carburant incorrecte ou mauvaise.</p> <p>La pompe à carburant aspire de l'air.</p>	<p>Vérifier la position de l'interrupteur.</p> <p>Vérifier la position du bouton du thermostat.</p> <p>Ouvrir le pistolet pour pression. Ravitailer en carburant.</p> <p>Fermer la soupape, ou complètement submerger le tuyau transparent en vinyl dans la solution de détergent.</p> <p>La pression doit être supérieure à 375 PSI (25.86 Bar) pour permettre au brûleur de fonctionner.</p> <p>Consulter le service clientèle.</p> <p>Vérifier le carburant pour s'assurer qu'il est correct. Vidanger le réservoir et le filtre si nécessaire et remplir à nouveau avec le bon carburant.</p> <p>Resserrer les raccords d'arrivée de carburant. Eliminer les fuites dans les canalisations d'arrivée de carburant.</p>



## GUIDE DE DÉPANNAGE

SYMPTÔME	CAUSE PROBABLE	SOLUTION
Le ventilateur marche, mais le brûleur ne se déclenche pas.	<p>Filtre de carburant ou séparateur eau/carburant sales ou bouchés.</p> <p>Pression de la pompe à carburant basse.</p> <p>La pompe à carburant est inopérative.</p> <p>Le coupleur flexible est cassé.</p> <p>Défaillance de la valve solénoïde de carburant.</p> <p>Buse à carburant sale ou bouché.</p> <p>Mauvais réglage d'air du brûleur.</p> <p>Module d'allumage défectueux.</p> <p>Electrodes d'allumage abîmés ou usés.</p>	<p>Purger ou remplacer quand nécessaire.</p> <p>Vérifier la pression de la pompe à carburant, régler ou remplacer si nécessaire.</p> <p>Vérifier la pression, remplacer si nécessaire.</p> <p>Remplacer.</p> <p>Remplacer.</p> <p>Remplacer la buse à carburant.</p> <p>Régler comme montré page 52.</p> <p>Réparer ou remplacer. Consulter votre service clientèle.</p> <p>Régler ou remplacer les électrodes. Consulter votre service clientèle.</p>
Le ventilateur marche, le brûleur s'allume mais ne chauffe pas.	<p>Le bouton du thermostat est en position d'arrêt (OFF).</p> <p>La soupape de détergent est ouverte, mais le tuyau de détergent n'est pas complètement submergé dans la solution. (En conséquence, les mécanismes de sécurité arrête le brûleur.)</p> <p>Alimentation en carburant incorrecte ou mauvaise.</p> <p>Filtre de carburant ou séparateur eau/carburant sales ou bouchés.</p> <p>Pression de la pompe à carburant basse.</p> <p>Le gicleur à carburant est sale ou bouché.</p> <p>Mauvais réglage d'air du brûleur.</p> <p>Dépôt calcaire dans le serpentin de l'échangeur de chaleur.</p>	<p>Vérifier la position du bouton du thermostat.</p> <p>Fermer la soupape, ou complètement submerger le tuyau transparent en vinyl dans la solution de détergent.</p> <p>Vérifier le carburant pour s'assurer qu'il est correct. Vidanger le réservoir et le filtre si nécessaire et remplir à nouveau avec le bon carburant.</p> <p>Purger ou remplacer quand nécessaire.</p> <p>Vérifier la pression de la pompe à carburant, régler ou remplacer si nécessaire.</p> <p>Remplacer le gicleur à carburant.</p> <p>Régler.</p> <p>Consulter le service clientèle.</p>
Le brûleur marche irrégulièrement.	<p>Présence d'eau dans le fuel oil.</p> <p>Filtre de carburant ou séparateur eau/carburant sale.</p> <p>Buse à carburant sale.</p> <p>Mauvais réglage de l'air.</p> <p>Défaillance de la pompe à carburant.</p>	<p>Remplacer le filtre à carburant ou vidanger le séparateur eau/carburant, vidanger le réservoir de carburant et remplacer avec du carburant propre.</p> <p>Remplacer l'élément.</p> <p>Remplacer.</p> <p>Régler.</p> <p>Remplacer.</p>
Le brûleur dégage une fumée blanche.	<p>Pas assez de carburant.</p> <p>Arrivée d'air trop importante.</p>	<p>Ravitailer en carburant. Si la fumée blanche persiste, contacter le service clientèle.</p> <p>Régler.</p>
Le brûleur dégage une fumée noire.	<p>Arrivée d'air insuffisante.</p>	<p>Régler.</p>

## TABLEAU D'ENTRETIEN

PROCEDURE	JOUR	3 MOIS	6 MOIS	9 MOIS	12 MOIS
Vérifier le niveau d'huile	X				
Changer l'huile du moteur*****		X	X	X	X
Vérifier le niveau d'huile de pompe à eau	X				
Changer l'huile de pompe à eau **		X	X	X	X
Inspection de fuite d'huile	X				
Inspection de fuite de carburant	X				
Inspection de fuite d'eau	X				
Inspection du tuyau		X			
Inspection du filtre d'admission d'eau	X				
Inspection du filtre à combustible		X	X	X	X
Remplacement du filtre à d'eau			X	X	X
Inspection de la courroie		X	X	X	X
Remplacement de la buse à haute pression***		X	X	X	X
Inspection du filtre de pompe à essence*					X
Remplacement du gicleur*					X
Vérifier le réglage d'air du brûleur					X
Vérifier les électrodes du brûleur*		X	X	X	X
Tester la pression de l'eau*					X
Tester la pression du carburant*		X	X	X	X
Tester la température de l'eau*		X	X	X	X
Détartrer l'enrouleur****		X	X	X	X

\* Doit être exécuté par un technicien de service autorisé

\*\* L'huile de pompe doit être changée après les 50 premières heures et toutes les 250 heures ou 3 mois, faire au plus tôt de ces deux valeurs.

\*\*\* La buse à haute pression doit être remplacée chaque fois que la pression est à moins de 85%

\*\*\*\* Le dépôt calcaire est amené à varier avec la teneur en minéraux dans l'eau et la fréquence d'utilisation. La fréquence de désincrustation peut varier de la semaine à l'année.

\*\*\*\*\* L'huile du moteur doit être changé après les premières 8 heures d'opération et toutes les 50 heures ou 3 mois, selon la limite qui est atteinte en premier.

## BON DE GARANTIE

Le fabricant garantit toutes les pièces, (excepté celles stipulées ci-dessous), de votre nouveau nettoyeur à pression d'eau chaude en cas de défauts de matériaux et de fabrication pendant les périodes suivantes:

A vie:

Collecteur de la pompe

Pendant dix (10) ans à compter de la date d'achat initial :

la pompe haute pression (Pompe General seulement)

Pendant sept (7) années à partir de la date d'achat:

Pompe à haute pression (Pompe AR seulement)

Pendant cinq (5) années à partir de la date d'achat:

Serpentin de l'échangeur de chaleur

Pendant deux (2) années à partir de la date d'achat:

Armature

Tuyauterie

Protection

Poulies

Brûleur

Pendant six (6) mois à partir de la date d'achat:

Transformateur d'allumage

Moteur du brûleur

Pendant quatre vingt dix (90) jours à partir de la date d'achat

Soupape sécurité de secours

Unloader Valve

Pompe à essence

Condensateur

Interrupteurs de contrôle

Pendant trente jours (30) à partir de la date d'achat

Tuyau à haute pression

Pistolet de déclenchement

Crépine/ Filtres

Des pièces défectueuses dont la cause n'est ni l'usure normale ni la détérioration seront réparées ou remplacées après examen pendant la période de garantie. Quoiqu'il arrive, le remboursement est limité au prix d'achat.

### EXCLUSIONS:

1. Le moteur et sont garanti séparément par son fabricant et est sujet aux limites ci-inclus.

2. Usure normale des pièces

Garnitures d'étanchéité de pompe

Buses de pulvérisation

Soupape de pompe

Soupape à détergent

Filtre à essence

Coupleurs rapides

3. Cette garantie ne couvre pas les pièces endommagées par l'usure normale, une mauvaise utilisation, un fonctionnement à des vitesses, pressions ou températures différentes de celles recommandées. Les pièces endommagées ou usées par l'utilisation de liquides caustiques ou par l'utilisation dans des environnements abrasifs ou corrosifs ou encore dans des conditions provoquant la cavitation de la pompe ne sont pas garanties. La garantie ne couvre pas les dégâts provoqués par un mauvais suivi des procédures de fonctionnement et d'entretien .

4. L'utilisation de pièces de réparation autres que celles d'origine annule la garantie. Les pièces renvoyées en port payé, à notre usine ou à un centre commercial agréé seront inspectées et remplacées gratuitement si elles sont effectivement défectueuses après estimation, et si elles entrent dans les conditions de la garantie. Il n'existe aucune garantie prolongeant les date d'expiration stipulées ci-dessus. Le fabricant n'est en aucun cas responsable des pertes d'usage, de temps ou de location, du dérangement, des pertes commerciales ou des dommages qui en résultent.

## **DÉCLARATION DE GARANTIE CONTRÔLE D'ÉMISSIONS POUR LA CALIFORNIE VOS DROITS ET OBLIGATIONS DE GARANTIE**

Le comité des ressources de l'air de la Californie et Mi-T-M sont heureux d'expliquer la garantie du système de contrôle d'émissions de votre petit moteur non routier (désigné ci-dessous par "SORE"). En Californie, les nouveaux SOREs doivent être conçus, construits et équipés pour se conformer aux normes anti-smog rigoureuses de l'état.

Mi-T-M doit garantir le système de contrôle d'émissions de vos SOREs pendant la durée de temps décrite ci-dessous, à condition qu'il n'y ait eu aucun abus, négligence ou entretien incorrect de vos SOREs.

Votre système de contrôle d'émissions peut inclure des pièces telles que le carburateur ou le système d'injection de carburant, les canalisations de carburant et le circuit d'allumage. Les tuyaux, attaches, connecteurs et autres pièces liés aux émissions peuvent aussi être inclus.

Quand une condition couverte par la garantie existe, Mi-T-M réparera gratuitement votre petit moteur non-routier, y compris le diagnostic, les pièces et la main d'œuvre.

### **COUVERTURE DE LA GARANTIE DU FABRICANT :**

Le système de contrôle d'émissions est garanti pendant deux années. Si toute pièce liée aux émissions de votre moteur est défectueuse, elle sera réparée ou remplacée par Mi-T-M.

### **RESPONSABILITÉS DU PROPRIÉTAIRE VIS À VIS DE LA GARANTIE:**

- En tant que propriétaire du SORE, vous êtes responsable de l'exécution des opérations d'entretien obligatoires énumérées dans le manuel du propriétaire. Mi-T-M recommande que vous conserviez tous les reçus concernant l'entretien de votre SORE, mais Mi-T-M ne peut dénier la garantie seulement à cause de reçus manquants.
- En tant que propriétaire du SORE, vous devez cependant être conscient que Mi-T-M peut refuser la couverture de la garantie si votre SORE ou une pièce tombe en panne à cause d'abus, de négligence, d'entretien incorrect ou de modifications non approuvées.
- Vous êtes responsable de la présentation de votre SORE à un centre de distribution ou chez un concessionnaire réparateur agréé par Mi-T-M Corporation, 8650 Enterprise Drive, Peosta, IA 52068 (désigné ci-dessous par Mi-T-M) dès qu'un problème est identifié. Les réparations de garantie doivent être effectuées dans un délai raisonnable sans dépasser 30 jours.

Pour toute question relative à votre couverture de garantie, vous devez contacter le département Service après-vente de Mi-T-M à 1-800-553-9053.

### **COUVERTURE DE GARANTIE GÉNÉRALE DES SYSTÈMES D'ÉMISSIONS -La Californie Seulement-**

Mi-T-M garantit à l'acheteur initial et à chaque acheteur suivant que le SORE (1) a été conçu, fabriqué et équipé pour se conformer à tous les règlements en vigueur, et (2) est exempt de défauts de matière première ou de construction qui feraient qu'il ne soit pas conforme aux normes comme peut être applicable dans les termes et conditions indiquées ci-dessous.

- (a) La période de garantie commence à la date où le moteur est livré à l'acheteur initial ou lors de sa première utilisation. La période de garantie est de deux années.
- (b) La garantie des pièces relatives aux émissions, sujette à certaines conditions et exclusions telles qu'indiquées ci-dessous, est la suivante :
  - (1) Toute pièce sous garantie qui ne doit pas être remplacée au titre d'une révision obligatoire spécifiée dans votre manuel du propriétaire est garantie pour la période de garantie indiquée ci-dessus. Si la pièce s'avère défectueuse pendant la période de couverture de garantie, elle sera réparée ou remplacée par Mi-T-M selon le paragraphe (4) ci-dessous. Toute pièce ainsi réparée ou remplacée au titre de la garantie sera garantie pendant le reste de la période de garantie.



- (2) Toute pièce sous garantie qui est seulement programmée pour une inspection régulière dans votre manuel du propriétaire est garantie pour la période de garantie indiquée ci-dessus. Toute pièce ainsi réparée ou remplacée au titre de la garantie sera garantie pendant le reste de la période de garantie.
- (3) Toute pièce sous garantie qui doit être remplacée au titre d'une révision obligatoire dans votre manuel du propriétaire n'est garantie que pendant la période de temps jusqu'à la première date de remplacement programmé pour cette pièce. La pièce sera réparée ou remplacée par Mi-T-M selon le paragraphe (4) ci-dessous si elle s'avère défectueuse avant le premier remplacement programmé. Toute pièce ainsi réparée ou remplacée au titre de la garantie sera garantie pendant le reste de la période jusqu'au moment du premier remplacement programmé pour la pièce.
- (4) La réparation ou le remplacement de toute pièce sous garantie, sous réserve des conditions ci-incluses, sera exécuté gratuitement chez un concessionnaire réparateur agréé.
- (5) Nonobstant les clauses de ce document, les services ou réparations sous garantie seront fournis par tous nos centres de distribution agréés pour l'entretien des moteurs en question.
- (6) Le propriétaire ne sera pas facturé pour le travail de diagnostic qui mène à la détermination qu'une pièce sous garantie est en effet défectueuse, à condition que le travail de diagnostic soit effectué par un concessionnaire réparateur agréé.
- (7) Mi-T-M est responsable pour les dommages aux autres composants du moteur se situant autour de la zone de la panne résultant de la défaillance de toute pièce sous garantie.
- (8) Pendant toute la période de garantie du moteur indiquée ci-dessus, Mi-T-M maintiendra à disposition un stock de pièces sous garantie suffisant pour satisfaire la demande prévue pour telles pièces.
- (9) Toute pièce de remplacement peut être utilisée pour l'exécution de tout entretien ou réparations au titre de la garantie et doit être fournie gratuitement au propriétaire. Une telle utilisation ne changera pas les obligations de Mi-T-M vis à vis de la garantie.
- (10) Les pièces ajoutées ou modifiées qui ne sont pas homologuées par le comité des ressources de l'air de la Californie ne doivent pas être utilisées. L'utilisation de pièces ajoutées ou modifiées non-homologuées par l'acheteur initial constituera un motif de non-application de garantie. Mi-T-M ne pourra être tenu responsable de la défaillance de pièces sous garantie dont la cause est l'utilisation de pièces ajoutées ou modifiées non-homologuées.

(c) PIÈCES SOUS GARANTIE:

La réparation ou le remplacement au titre de la garantie de toute pièce normalement couverte par cette garantie peut être refusée si Mi-T-M démontre que le moteur a été abusé, négligé ou mal entretenu, et que cet abus, négligence ou mauvais entretien est la cause directe de la nécessité de réparer ou remplacer cette pièce. Néanmoins, le réglage d'une pièce comprenant un dispositif limiteur de réglage installé en usine et qui fonctionne correctement est tout de même couvert par la garantie. Les pièces suivantes sont couvertes sous la garantie d'émissions.

1. Système de dosage de Carburant
  - (A) Carburateur et pièces internes (et/ou régulateur de pression ou système d'injection de carburant).
  - (B) Système de rétroaction et de commande de rapport d'air/carburant, si applicable.
  - (C) Système d'enrichissement au démarrage à froid, si applicable.
  - (D) Assemblage régulateur (carburant essence, si applicable).
2. Système d'admission d'air
  - (A) Collecteur d'admission, si applicable.
  - (B) Filtre à air.
3. Circuit d'allumage
  - (A) Bougies d'allumage.
  - (B) Magnéto ou circuit d'allumage électronique.
  - (C) Système d'avance/retard à l'allumage, si applicable.
4. Tubulure d'échappement, si applicable.
5. Système d'évaporation.
  - (A) Canalisation de carburant.
  - (B) Raccords de canalisation de carburant.

# Tabla de Contenido

INTRODUCCIÓN.....	63
<b>ADVERTENCIAS DE SEGURIDAD IMPORTANTES.....</b>	<b>64-69</b>
RIESGO DE EXPLOSIÓN O INCENDIO .....	64-65
RIESGO DE ASFIXIA.....	65
RIESGO DE INYECCIÓN O LESIÓN POR CORTADURA SEVERA.....	66
RIESGO DE ELECTROCUCIÓN O CHOQUE ELÉCTRICO .....	67
RIESGO DE QUEMADURAS .....	67
RIESGO DE EXPLOSIÓN .....	67
RIESGO POR PARTES EN MOVIMIENTO .....	67
RIESGO DE LESIONES .....	68-69
<b>CARACTERÍSTICAS .....</b>	<b>70-71</b>
<b>INSTALACIÓN Y PREPARACIÓN.....</b>	<b>72-76</b>
VESTIMENTA.....	72
PREPARACIÓN INICIAL.....	72
TANQUES DE COMBUSTIBLE DE L MOTOR/QUEMADOR.....	73
CONJUNTO DE VARILLA DOBLE CON PRESIÓN AJUSTABLE .....	73
BOQUILLAS DE CONECTORES ROSCADOS .....	74
CONEXIÓN BOQUILLA.....	74
SUMINISTRO DE AGUA .....	75
DESCARGA.....	76
PROCEDIIENTOS DE INSPECCIÓN ANTES DEL ENCENDIDO .....	76
<b>INSTRUCCIONES DE OPERACIÓN .....</b>	<b>77-80</b>
FUNCIONANDO EL SISTEMA .....	77
ARRANQUE/OPERACIÓN CON AGUA FRÍA .....	77
OPERACIÓN CON AGUA CALIENTE .....	77
LIMPIEZA CON DETERGENTES .....	79
APAGADO.....	79
OPCIONES .....	80
<b>ALMACENAJE Y MANTENIMIENTO.....</b>	<b>81-84</b>
MANTENIMIENTO ESPECIFICO .....	81-82
MANTENIMIENTO- ESTACIONAL .....	84
<b>LOCALIZACION DE FELLAS .....</b>	<b>85-87</b>
<b>TABLA DE MANTENIMIENTO .....</b>	<b>88</b>
<b>INFORME DE GARANTÍA .....</b>	<b>89</b>
<b>NOTA.....</b>	<b>90-91</b>

## **⚠️WARNING**

**ADVERTENCIA:** Este producto tiene plomo, una sustancia química conocida al Estado de California a causar cáncer y defectos de nacimiento u otro daño reproductivo.

*Lávese las manos después de usar este producto.*

## **⚠️ADVERTENCIA**

Los gases del motor de este producto contiene química conocida por el estado de California a causar cancer, defectos de nacimiento, y otros peligros reproductor.

## **⚠️ADVERTENCIA**

Este producto contiene química conocido por el estado de California a causar cancer, defectos de nacimiento, y otros peligros reproductor.

## INTRODUCCIÓN

¡Felicitaciones por la compra de su nueva Serie-HDC lavadora a presión! Puede estar seguro que su lavadora a presión fue construida con el nivel más alto de precisión y exactitud. Cada componente ha sido probado rigurosamente por técnicos para asegurar la calidad, la resistencia y el rendimiento de esta unidad. Con más de veinte años de experiencia en la construcción de lavadoras a presión, usted ha tomado una sabia decisión en seleccionar una lavadora a presión.

Este manual del operador fue compilado para su beneficio. Leyendo y siguiendo los pasos simples de seguridad, instalación, operación, mantenimiento y localización de fallas descritos en este manual ayudará a prolongar aun más la operación libre de fallas que usted puede esperar de su nueva lavadora a presión. El contenido de este manual está basado en la información actualizada disponible al momento de la publicación. Fabricante se reserva el derecho de efectuar cambios en precio, color, materiales, equipo, especificaciones o modelos en cualquier momento sin previo aviso.

### ¡IMPORTANTE!

Estos párrafos están rodeados por una “CASILLA DE ALERTA DE SEGURIDAD”. Esta casilla se usa para designar y enfatizar las Advertencias de Seguridad que deben seguirse al operar esta lavadora a presión. Acompañando a las Advertencias de Seguridad están las “palabras de alerta” que designan el grado o nivel de seriedad de riesgo. Las “palabras de alerta” usadas en este manual son las siguientes:

**PELIGRO:** Indica una situación inminente riesgosa la cual, si no se evita, RESULTARA en la muerte o en lesiones graves.

**ADVERTENCIA:** Indica una situación potencialmente riesgosa la cual, si no se evita, PODRIA resultar en la muerte o en lesiones graves.

**PRECAUCION:** Indica una situación potencialmente riesgosa la cual, si no se evita PUEDE resultar en lesiones menores o moderadas.



El símbolo indicado a la izquierda de este párrafo es el “Símbolo de Alerta de Seguridad”. Este símbolo se usa para alertarlo acerca de artículos o procedimientos que podrían ser peligrosos para usted u otras personas usando este equipo.

**PROVEA SIEMPRE UNA COPIA DE ESTE MANUAL A CUALQUIER PERSONA QUE USE ESTE EQUIPO. LEA TODAS LAS INSTRUCCIONES ANTES DE OPERAR ESTA LAVADORA A PRESION, OBSERVANDO EN PARTICULAR LAS “ADVERTENCIAS DE SEGURIDAD” PARA EVITAR LA POSIBILIDAD DE LESIONES PERSONALES AL OPERADOR.**

Escriba el número de serie de su unidad en el espacio provisto abajo, una vez que la unidad haya sido desempacada.

NUMERO DE SERIE \_\_\_\_\_



Inspeccione por daño el contenido de la caja. Si algo parece dañado, NO LA DEVUELVA AL LUGAR DE COMPRA. Llame a su representante de servicio al cliente.

Por favor tenga disponible la información siguiente para todas las llamadas de servicio:

1. Número de modelo
2. Número de serie
3. Fecha y lugar de compra

## ADVERTENCIAS DE SEGURIDAD



PELIGRO: Deben observarse siempre las precauciones básicas, incluyendo las siguientes.  
 Lea todas Las advertencias de seguridad antes de usar la lavadora a presión.

PELIGRO	POSIBLE CONSECUENCIA	PREVENCIÓN
<p style="text-align: center;"><b>RIESGO DE EXPLOSIÓN O INCENDIO</b></p> <div style="text-align: center;">     </div>	<p>Pueden ocurrir lesiones graves o fatales ocasionadas por chispas normales en las fuentes de ignición múltiples o en el escape del motor y del quemador.</p> <p>Pueden ocurrir lesiones graves o fatales como consecuencia de un procedimiento inadecuado al reabastecer de combustible.</p>       <p>Pueden ocurrir lesiones graves o fatales de la batería.</p>	<p>Siempre opere la lavadora en una área bien ventilada libre de vapores inflamables, polvo combustible y gases o materiales combustibles.</p> <p>No almacene la lavadora a presión cerca de una llama abierta o equipo como hornos, calefactores, calentadores de agua, etc., que usen una llama piloto o dispositivo de encendido por chispa.</p> <p>¡No use esta lavadora a presión para atomizar material inflamable!</p> <p>No fume mientras llene los tanques de combustible.</p> <p>Nunca llene los tanques de combustible mientras el motor aún esté en marcha o esté caliente. Permita que el motor se enfríe dos minutos antes de volver a cargar combustible.</p> <p>No llene los tanques de combustible en interiores o en una área con poca ventilación.</p> <p>Siempre vierta el combustible lentamente para evitar la posibilidad de un derrame, lo cual podría provocar un incendio.</p> <p><b>Tanque de combustible del motor:</b>                  Si se usa un motor de gasolina, llene únicamente con gasolina. No use diesel ni petróleo o aceite combustible.</p> <p><b>Tanque de combustible del quemador:</b>                  Al llenar el tanque de combustible del quemador, use aceite de combustible diesel o queroseno No.1 ó No.2. No use gasolina, drenajes de cigüenal, o aceite que tiene gasolina o solventes.</p> <p>No opere la unidad si se derrama gasolina o combustible de diesel. Con un paño, limpie completamente la lavadora a presión y aléjela del derrame. Evite crear cualquier ignición hasta que el combustible de gasolina o diesel se haya evaporado.</p> <p>Cuando la batería está activando la batería tiene gases de hidrógeno y oxígeno que son muy explosivos. No tenga chipas abiertas o flares cerca de batería nunca, especialmente cuando cargando la batería.</p> <p>Antes de servicando, asegúrese de que desconectar terminal de tierra de la batería. Cuando desconectando cable de la batería, empezar con terminal negativo, y cuando las conectando, empezar con el positivo cable.</p> <p>Quitar bombas de rejilla de ventilación de la batería, cuando cargando la batería.</p> <p>Use contador de voltio o hidrocantador para controlar la carga de la batería.</p> <p>No hacer arrancar la batería a menos que las dos baterías tener voltaje igual y amperio igual.</p>



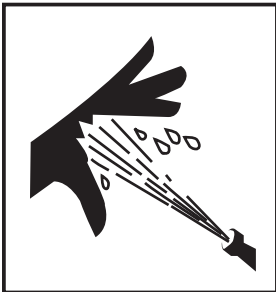

## ADVERTENCIAS DE SEGURIDAD

Lea todas Las advertencias de seguridad antes de usar la lavadora a presión.

PELIGRO	POSIBLE CONSECUENCIA	PREVENCIÓN
<p style="text-align: center;"><b>RIESGO DE INCENDIO</b></p> 	<p>Pueden ocurrir lesiones graves o fatales como consecuencia de un incendio al ras de tierra ocasionado por una chispa del silenciador.</p> <p>Pueden ocurrir lesiones graves o fatales si no se mantienen correctamente los dispositivos de seguridad del sistema.</p>	<p>Es necesario para agregar un arrestador de chispas en el moefle de este motor cuando usar con tierra que tener algo cultivo agrícola flamable (heno o grano), y si usarlos en o cerca de broza o areas forestales. El operador tiene que mantener el arrestador en order efectuar. En el estado de California, lo anterior es obligatorio por ley. (Sección 4442 del Código de Recursos Públicos de California). Otros estados quizá tengan leyes similares. En terrenos federales se aplican las leyes federales.</p> <p>Esta lavadora a presión tiene un dispositivos de seguridad aparato que nunca deben ser alterados, modificados, extraídos o desconectados. Si falla el dispositivo, reemplácelo inmediatamente con un repuesto genuino del fabricante.</p>
<p style="text-align: center;"><b>RIESGO DE ASFIXIA</b></p> 	<p>Pueden sufrirse lesiones graves o fatales como consecuencia de la inhalación de gases del escape del motor/quemador o vapores peligrosos. El gas que emana del escape de este producto contiene sustancias químicas identificadas por el Estado de California como agentes que provocan cáncer, defectos de nacimiento o daños reproductivos.</p>	<p>Esta lavadora a presión fue diseñada para uso externo únicamente. Nunca opere esta lavadora a presión en una área cerrada. Siempre asegúrese de que exista ventilación adecuada (aire externo fresco) para la respiración y la combustión. Esto impedirá la acumulación de gases peligrosos de monóxido de carbono. Tenga cuidado en las áreas de poca ventilación, o áreas con ventiladores de extracción que pueden provocar un intercambio deficiente de aire.</p> <p>Obedezca todas las instrucciones proporcionadas con los materiales que está rociando. Quizá sea necesario usar un respirador cuando se trabaje con ciertos materiales. No use esta lavadora a presión para distribuir detergentes peligrosos.</p>




## ADVERTENCIAS DE SEGURIDAD

Lea todas Las advertencias de seguridad antes de usar la lavadora a presión.

PELIGRO	POSIBLE CONSECUENCIA	PREVENCIÓN
<p><b>RIESGO DE INYECCIÓN O LESIÓN POR CORTADURA SEVERA</b></p> 	<p>Pueden sufrirse lesiones graves o fatales como consecuencia de la atomización a alta presión con penetración en la piel.</p>	<p>¡Manténgase completamente alejado de la boquilla y el atomizador! Nunca coloque la mano, los dedos o el cuerpo directamente sobre la boquilla de rocío.</p> <p>Nunca apunte el atomizador alta presión hacia usted mismo o hacia otra persona. Solamente operadores calificados usan este equipo.</p> <p>Siempre mantenga el área de trabajo despejada de personas.</p> <p>NO PERMITA que algún niño opere esta unidad.</p> <p>¡BUSQUE ATENCIÓN MÉDICA DE EMERGENCIA si parece que el rocío ha penetrado la piel! ¡No lo trate como una simple cortadura!</p> <p>Debe inspeccionar diariamente las mangueras de alta presión y las líneas de combustible para buscar señales de desgaste. Si hay evidencia de falla, reemplace inmediatamente todas las mangueras y líneas de combustible sospechosas para prevenir la posibilidad de lesiones por el rocío a alta presión. Si una manguera o conexión tiene alguna fuga, NO COLOQUE SU MANO DIRECTAMENTE SOBRE LA FUGA.</p> <p>NUNCA opere la pistola con el gatillo fijado en la posición abierta. Para prevenir una descarga accidental, la pistola debe tener bien trabado el seguro del gatillo cuando no se encuentre en uso.</p> <p>Antes de retirar la boquilla de rocío o dar servicio a la unidad, apague la unidad y tire del gatillo de la pistola para liberar la presión. (Aun cuando apague la unidad, todavía quedará agua a alta presión en la bomba, la manguera y la pistola hasta que la libere jalando el gatillo de la pistola.)</p>
<p><b>RIESGO DE ELECTROCUCIÓN O CHOQUE ELÉCTRICO</b></p> 	<p>Pueden sufrirse lesiones graves o fatales debido al contacto con la electricidad.</p>	<p>¡NO dirija el rocío hacia instalaciones eléctricas de ninguna clase! Esto incluye tomas eléctricas, lámparas, cajas de fusibles, transformadores, la unidad misma, etc.</p> <p>NO permita que los componentes de metal de la lavadora a presión entren en contacto con componentes eléctricos cargados.</p>


## ADVERTENCIAS DE SEGURIDAD

Lea todas Las advertencias de seguridad antes de usar la lavadora a presión.

PELIGRO	POSIBLE CONSECUENCIA	PREVENCIÓN
<p><b>RIESGO DE QUEMADURAS</b></p> 	<p>Pueden producirse lesiones graves si se toca el motor de gasolina, el silenciador o el intercambiador de calor. Estas áreas pueden permanecer calientes por algún tiempo después de que se ha apagado la lavadora a presión.</p>	<p>Nunca permita que ninguna parte de su cuerpo haga contacto con el motor de gasolina, el silenciador o el intercambiador de calor.</p>
<p><b>RIESGO DE EXPLOSIÓN</b></p> 	<p>Pueden producirse lesiones graves debido al mal funcionamiento de la lavadora a presión o la explosión de accesorios si se usan componentes, aditamentos o accesorios que no correspondan al sistema.</p> <p>Pueden producirse lesiones graves o fatales si se intenta arrancar la lavadora a presión cuando esté congelada la bomba.</p>	<p>Nunca haga ajustes a las presiones configuradas en la fábrica.</p> <p>Nunca exceda la máxima graduación de presión de los accesorios permitida por el fabricante.</p> <p>No permita que alguna de las mangueras haga contacto con el silenciador del motor, el motor de gasolina o el intercambiador de calor para prevenir la posibilidad de explosión. No arrastre las mangueras sobre superficies abrasivas como el cemento.</p> <p>Solo use las partes de reparación para su lavadora a presión recomendadas por el fabricante.</p> <p>En temperaturas de congelación, la unidad siempre deberá permanecer lo suficientemente caliente como para asegurar que no haya formación de hielo en la bomba. No arranque la lavadora a presión si ha sido transportada en un vehículo abierto o de calefacción deficiente, sin primero permitir que la unidad se descongele.</p>
<p><b>RIESGO POR PARTES EN MOVIMIENTO</b></p> 	<p>El operador puede sufrir de lesiones graves si hace contacto con las partes en movimiento de la lavadora a presión.</p>	<p>Antes de hacer cualquier ajuste, asegúrese de que el motor esté apagado y que el cable o los cables de ignición estén separados de las bujías de ignición. Al voltear la máquina manualmente durante el ajuste o la limpieza puede arrancar el motor y junto con él, la máquina.</p> <p>No opere la unidad sin que todas las cubiertas protectoras se encuentren en su lugar.</p>


## ADVERTENCIAS DE SEGURIDAD

Lea todas Las advertencias de seguridad antes de usar la lavadora a presión.

PELIGRO	POSIBLE CONSECUENCIA	PREVENCIÓN
<p data-bbox="152 197 444 222"><b>RIESGO DE LESIONES</b></p> 	<p data-bbox="516 197 930 285">Pueden ocurrir lesiones graves o fatales si los detergentes entran en contacto con la piel.</p> <p data-bbox="516 894 930 1016">Pueden ocurrir lesiones graves provocadas por partículas sueltas proyectadas a gran velocidad a través la pistola atomizadora.</p> <p data-bbox="516 1276 930 1398">Pueden ocurrir lesiones si el operador pierde el equilibrio causado por el impulso del agua que está atravesando la boquilla de rocío.</p>	<p data-bbox="958 197 1479 478">¡BUSQUE ATENCIÓN MÉDICA DE EMERGENCIA si está usando agentes de limpieza y siente que el rocío ha penetrado la piel! ¡NO LO TRATE COMO UNA SIMPLE CORTADURA! Lea la hoja de datos de seguridad del material (MSDS) proporcionada con su detergente para estar preparado y poder informar a su médico exactamente qué tipo de detergentes estaba usando.</p> <p data-bbox="958 516 1479 604">Nunca use solventes o detergentes altamente corrosivos o limpiadores de tipo ácido con esta lavadora a presión.</p> <p data-bbox="958 642 1479 764">Se aconseja usar equipo protector como trajes de goma, guantes y respiradores, especialmente cuando se usen detergentes limpiadores.</p> <p data-bbox="958 802 1479 861">¡Mantenga todos los detergentes fuera del alcance de los niños!</p> <p data-bbox="958 898 1479 987">SIEMPRE use gafas protectoras cuando opere la unidad para proteger sus ojos contra residuos y detergentes lanzados al aire.</p> <p data-bbox="958 1024 1479 1113">NO DIRIJA el atomizador hacia materiales frágiles tales como vidrio, ya que podría ocasionar su ruptura.</p> <p data-bbox="958 1150 1479 1239">Manténgase alerta — vigile lo que esté haciendo. No opere la unidad cuando esté fatigado o bajo la influencia de alcohol o drogas.</p> <p data-bbox="958 1276 1479 1335">NUNCA apriete el gatillo a menos de que esté firmemente parado.</p> <p data-bbox="958 1373 1479 1432">NO se estire demasiado ni se pare sobre un soporte inestable.</p> <p data-bbox="958 1470 1479 1591">Las superficies mojadas pueden estar resbaladizas, use equipo protector y mantenga un punto de apoyo y buen equilibrio en todo momento.</p> <p data-bbox="958 1629 1479 1688">NUNCA accione la pistola mientras se encuentre en una escalera o sobre un techo.</p>

## ADVERTENCIAS DE SEGURIDAD

Lea todas Las advertencias de seguridad antes de usar la lavadora a presión.

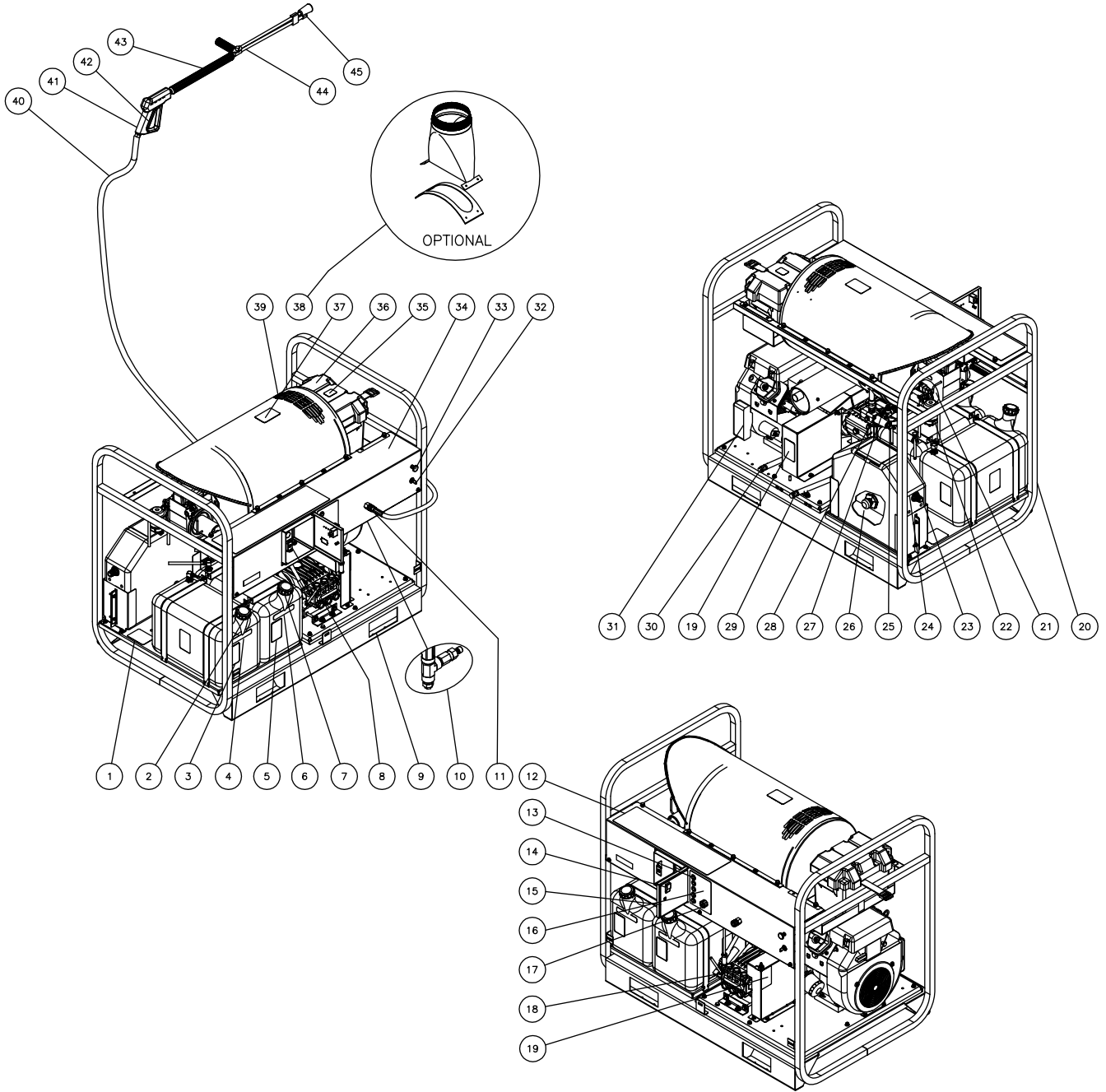
PELIGRO	POSIBLE CONSECUENCIA	PREVENCIÓN
<p data-bbox="201 201 490 226"><b>RIESGO DE LESIONES</b></p> 	<p data-bbox="557 201 984 260">Pueden ocurrir lesiones provocadas por la lavadora a presión.</p>	<p data-bbox="1000 201 1513 323"><b>SIEMPRE</b> sostenga firmemente el conjunto de pistola/varilla cuando arranque y opere la unidad. No hacerlo podría provocar que la varilla se caiga y se azote peligrosamente.</p> <p data-bbox="1000 359 1513 449">Sepa como detener la lavadora a presión y aliviar las presiones rápidamente. Familiarícese por completo con estos controles.</p> <p data-bbox="1000 485 1513 548">Siga todas las instrucciones de mantenimiento que especificó en la manual.</p> <p data-bbox="1000 583 1513 674"><b>NO</b> permita que la unidad presurizada permanezca sola. Apague la lavadora de presión y libere la presión antes de irse.</p> <p data-bbox="1000 709 1513 863"><b>NO OPERE</b> la unidad si detecta fugas de combustible, aceite o agua de la máquina. <b>NO</b> reanude la operación hasta que la unidad haya sido inspeccionada y reparada por un técnico capacitado para el servicio.</p> <p data-bbox="1000 898 1513 989"><b>NUNCA</b> accione la unidad con el regulador desconectado ni opere a velocidades excesivas.</p> <p data-bbox="1000 1024 1513 1304">Coloque la unidad sobre una superficie limpia, seca y plana para darle servicio. Antes de dar mantenimiento a la unidad, apáguela, alivie la presión de agua apretando el gatillo de la pistola, y permita que la unidad se enfríe. Realice el mantenimiento en un área limpia, seca y plana. Donde sea necesario, bloquee las ruedas para prevenir el movimiento de la unidad.</p> <p data-bbox="1000 1339 1513 1402">No tire de la manguera para mover la unidad.</p>



**¡SALVE ESTAS INSTRUCCIONES!**



# CARACTERÍSTICAS



HDC FEATURES-032905-RZ

## LISTA DE COMPONENTES

1. Calcomanía- Plata de información
2. Tanque de gas- rojo / 10 galón
3. Calcomanía- Precaución: Riesgo de Fuego- No use diesel o aceite de comestible
4. Calcomanía- Solamente Gasolina
5. Calcomanía- Precaución: Riesgo de fuego- No use gasolina
6. Calcomanía- Solamente diesel
7. Tanque de comestible- Verde / 10 galón
8. Caja eléctrica de bisagras
9. Acceso de camión
10. Valvula de auxilio de presión
11. Salida de agua
12. Calcomanía: Advertencia / Precaución / Operación
13. Poseedor de boquilla de conexión rápido
14. Interruptor
15. Calcomanía: Panel eléctrico
16. Calcomanía: Boquillas
17. Válvula de Detergente
18. Bomba de presión alta
19. Calcomanía: Advertencia: Riesgo de dano
20. Asamblea de armazón de jaula de rollo de cubierto potencia
21. Ajustado de quemador del aire
22. Filtro de comestible / separador de agua
23. Entrada de agua
24. Tanque de flotar
25. Valvula de descarga caliente
26. Colador de agua
27. Interruptor de presión
28. Valvula de descargar
29. Sumidero del aceite de bomba
30. Sumidero del aceite de motor
31. Motor
32. Interruptor de llave de motor
33. Choke de motor
34. Panel de control
35. Calcomanía: Precaución: Desconecte la batería
36. Batería y Caja de batería
37. Calcomanía: Advertenci: Superficies calientes
38. Kit de adaptador de pila- AW-5740-0000  
Adaptador de pila- 50-0170  
Junta de pila- 33-0356
39. Salida de intercambiadora de calor
40. Manguera de presión alta
41. Gatillo de pistola
42. Cerradura de seguridad de gatillo
43. Lanza aislamiento
44. Doble- Lanza de presión ajustable
45. Boquilla de presión alta

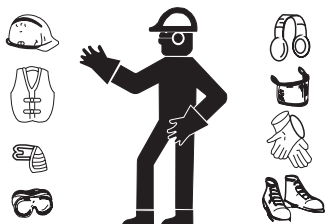
---

## LISTA DE OPCIONES

<b>PARTE #</b>	<b>DESCRIPCIÓN</b>
HX-0130	VALVULA DE PELOTA DE 3-MANERAS
HX-0143	DESCARGADORA DE RETENER (HDC-3005/3505)
HX-0145	TERMOSTATO AJUSTABLE
HX-0146	MEDIDOR DE HORA
HX-0147	GANCHO LEVANTANDO



## INSTALACIÓN Y PREPARACIÓN



### VESTIMENTA:

Es importante usar ropa apropiada para su seguridad. Se aconseja usar cualquier medio necesario para proteger los ojos, las orejas y la piel. Posiblemente requiera equipo adicional de seguridad (como un respirador) cuando use detergentes limpiadores con esta lavadora.



### PELIGRO

#### **¡RIESGO DE EXPLOSIÓN O INCENDIO!**

-CUANDO SE CARGAN BATERÍAS, ÉSTAS GENERAN UN GAS DE HIDRÓGENO ALTAMENTE EXPLOSIVO. ¡UNA CHISPA PODRÍA CAUSAR UNA EXPLOSIÓN O UN INCENDIO!

NO ARRANQUE LA BATERÍA CON FUENTE DE ENERGÍA AUXILIAR A MENOS DE QUE AMBAS BATERÍAS SEAN DE VOLTAJE O AMPERAJE EQUIVALENTES.

NO FUME NI PERMITA QUE HAYA CHISPAS O LLAMAS CERCA DE LA BATERÍA.

NO COLOQUE LA UNIDAD EN UNA ÁREA DONDE PUEDAN EXISTIR VAPORES INFLAMABLES. UNA CHISPA PODRÍA PROVOCAR UNA EXPLOSIÓN O UN INCENDIO.

#### **¡RIESGO DE LA EXPLOSIÓN DE LA UNIDAD!**

¡NO ALMACENE/OPERE LA UNIDAD EN AMBIENTES DE CONGELACIÓN!

### PREPARACIÓN INICIAL:

1. Este aparato debe quedar siempre colocado sobre una superficie nivelada para asegurar la lubricación apropiada del motor y de la bomba de agua durante la operación. NUNCA rocíe agua directamente a la unidad.
2. No use esta unidad en un área:
  - a. sin suficiente ventilación
  - b. donde haya evidencia de fugas de aceite, gas o combustible.
  - c. donde pueda haber presencia de vapores inflamables.

Esta unidad tiene varias fuentes de ignición que podrían provocar una explosión o incendio.

3. Si use un kit de rueda, si tiene ruedas, asegúrese de bloquearlas para evitar que la unidad se mueva durante la operación.
4. No permita que la unidad quede expuesta a la lluvia, la nieve o temperaturas de congelación. Si alguna parte de la unidad se congela, es posible que se acumule una presión excesiva en la unidad, lo cual podría provocar su estallido y consecuentemente posibles lesiones al operador o las personas alrededor.
5. Debe revisarse el nivel de aceite de la bomba debe revisarse antes de cada aplicación. Revise el indicador de nivel de aceite en el cárter de la bomba. Asegúrese de que el aceite se encuentre en el centro de la mirilla de nivel. Si parece estar bajo el nivel, llene con aceite especial para bombas SAE20 o 30 no detergente.
6. Su lavadora de presión tiene un motor de arranque eléctrico. En la primera vez que empiece, lleve protección adecuada de ojos y piel cuando llene la batería con ácido. Cargar completo la batería para permitir la función de motor de arranque eléctrico.

#### 7. Especificaciones De la Batería:

- RV / Marine cylce profundo del propósito dual y batería que cigüeñal.
- BCI grupo 24DC.
- Tamaño de la caja de la batería: 27.9cm x 19.05cm x 20.9cm (la batería puede ser ligeramente más alta y todavía cubrir por la tapa.
- La batería debe tener correa de elevación para la instalación fácil.



### ADVERTENCIA

#### **¡RIESGO DE ASFIXIA!**

¡USE ESTE PRODUCTO ÚNICAMENTE EN ÁREAS BIEN VENTILADAS!

NO OPERE EN UNA ÁREA ENCERRADA. EL ESCAPE EXPULSA MONÓXIDO DE CARBONO, UN GAS VENENOSO INODORO E INVISIBLE. RESPIRAR ESTE GAS PUEDE PROVOCAR LESIONES GRAVES, ENFERMEDAD O POSIBLE MUERTE.

## INSTALACIÓN Y PREPARACIÓN

### TANQUES DE COMBUSTIBLE DEL MOTOR/QUEMADOR:

1. Lea las advertencias de “Riesgo de explosión o incendio”, página 64, antes de llenar con combustible.
2. Localice las calcomanías de seguridad en su unidad y preste atención a sus advertencias.
3. **Motores de gasolina:** Vea el manual del motor para necesidades de gasolina.

**Combustible del quemador:** Cuando llene el tanque (negro), use aceite de combustible No.1 o No.2/ diesel o queroseno.

4. Revise el nivel de aceite del motor antes de arrancarlo. (Vea el manual del motor).
5. Vea el manual del motor que se ha proporcionado con esta unidad, para familiarizarse con los procedimientos apropiados de ajuste.
6. **Repase el manual del motor que acompaña a esta lavadora a presión para familiarizarse con los procedimientos correctos de arranque y mantenimiento.**



### PELIGRO

#### **¡RIESGO DE INCENDIO!**

**¡NO FUME MIENTRAS ESTÉ CARGANDO COMBUSTIBLE!**

**NO LLENE LOS TANQUES DE COMBUSTIBLE MIENTRAS LA MÁQUINA ESTÉ EN FUNCIONAMIENTO O ESTÉ CALIENTE. PERMITA QUE LA MÁQUINA SE ENFRÍE POR DOS MINUTOS ANTES DE VOLVER A CARGAR COMBUSTIBLE.**

**NO LLENE DEMASIADO LOS TANQUES DE COMBUSTIBLE PORQUE SE PUEDEN DERRAMAR. DEBE QUEDAR UN ESPACIO LIBRE DE 1/4” (6,5 MM) EN EL TANQUE PARA PERMITIR LA EXPANSIÓN DEL COMBUSTIBLE.**



### ADVERTENCIA

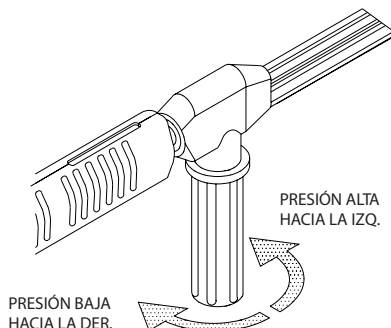
#### **¡RIESGO DE EXPLOSIÓN O INCENDIO!**

**SIEMPRE ALMACENE EL COMBUSTIBLE LEJOS DE LA LAVADORA MIENTRAS LA UNIDAD ESTÉ EN FUNCIONAMIENTO O SE ENCUENTRE CALIENTE**

### CONJUNTO DE VARILLA DOBLE CON PRESIÓN AJUSTABLE:

Esta unidad tiene un conjunto de varilla doble con presión ajustable que permite al usuario seleccionar el rocío en abanico a baja o alta presión. Simplemente gire el mango ajustable de la varilla doble para seleccionar la presión deseada.

1. Se puede seleccionar la presión alta girando el mango ajustable en el conjunto de varilla doble en sentido *antihorario* como se muestra en la figura siguiente.
2. Se puede seleccionar la aplicación de detergente a baja presión girando el mango ajustable de la varilla doble en sentido *horario* como se muestra en la figura de abajo.

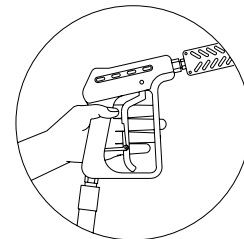


### ADVERTENCIA

**¡RIESGO DE INYECCIÓN QUE PUEDE CAUSAR UNA LESIÓN GRAVE!**

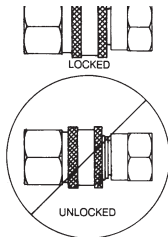
**LA PISTOLA DE GATILLO SIEMPRE DEBE ESTAR TRABADA EN SU POSICIÓN CERRADA CUANDO NO SE USE!**

**¡NUNCA VEA DIRECTAMENTE HACIA LA BOQUILLA A MENOS QUE ESTÉ DESCONECTADA DEL CONJUNTO DE PISTOLA Y VARILLA DOBLE!**

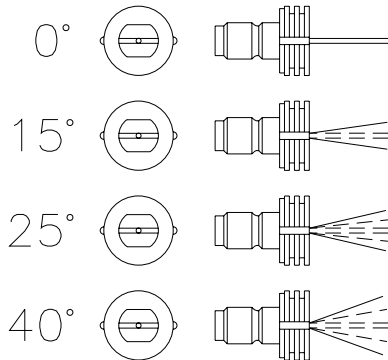


## INSTALACIÓN Y PREPARACIÓN

### CERRADURAS DE BOQUILLA



### BOQUILLAS



### BOQUILLAS DE CONECTORES ROSCADOS:

Boquillas varias se puede estar conectores roscados en el fin de doble lanza para cambiar el diseño de atomizadora. La boquilla de detergente ha preinstalado en la fabrica. Cuando usando conexiones roscados (Q.C) asegúrese de que la conexión tiene cerradura seguras como el foto a la derecha. Si no está segura la presión alta se puede salir disparado la boquilla de la lanza. Este se puede ocurrir lesiones graves o danos serios. Referir al número que imprimió en la boquilla para determinar ventilador de atomizadora. Los dos dígitos primeros indicar el grado de ventilador de atomizador:

#### 1. La boquilla de 0° (Rojo):

Esta es una boquilla de explosión. Repartir un corriente muy concentrado de agua. Ten cuidado cuando usando el corriente recto. No es recomendado para usar en superficies de madera o con pinta o cosas con repaldos con adhesivo. USAS: Eliminación de hierbas de grietas de aceras, manchas fuertes de concreto, manpostería, aluminio y acero, barro del equipo, y para limpiar partes inferiores de máquinas de cortar el césped.

#### 2. La boquilla de 15° (Amarillo):

Esta es una boquilla de cincelar. La atomizadora se pone en un angle de 45° del superficie y usar como una rajadora para eliminar pinta, grasa, y mugre. USAS: Preparación de superficie (eliminación de manchas de mildew y astillas de pinta).

#### 3. La boquilla de 40° (Blanco):

Esta boquilla es una boquilla de limpiando. Este diseño extenso de atomizadora dispatir la presión de agua alrededor un área grande y se recomendado para limpiando moderado. USAS: Limpiando de apartadero de aluminio, limpiando ventanillas, limpiando autos, atomizadando aceras, entradas de casas, y patios.

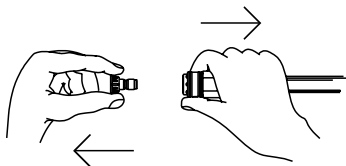
#### 4. La boquilla de 25° (Verde):

Esta es una boquilla limpiando. Este diseño es mejor para limpiando de suciedad, barro, y mugre. Usas: Barrido de hojas mojadas de aceras, bordillos, entradas para coches, limpiando de pisos en caballerizas, lavando pisos de piscinas, dengrasando de motores.

#### 5. La boquilla de 65° (Se incluido con doble lanza):

Esta boquilla es de detergente. El diseño extenso de atomizador dar solución alrededor áreas grandes. USAS: Aplicación, empanando, o enjuagando de detergente.

### CONEXIÓN DE BOQUILLA



### CONEXIÓN DE BOQUILLA:

1. Asegúrese de que gatillo de pistola está cerradura en posición de OFF.
2. Boquillas de conectores roscados se puede conectar o desconectar de assemblea de doble lanza por retractarse los anillos de cerradura en instalaciones de conector roscado. Cuando conectando la boquilla deseable, empuje el anillo de cerradura por encima de conector roscado de boquilla para dar seguridad de conexión.

## INSTALACIÓN Y PREPARACIÓN

### SUMINISTRO DE AGUA:

#### Suministro Presurizado:

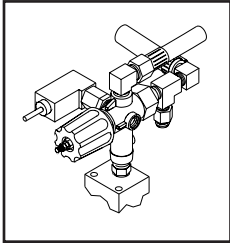
1. Seleccione una manguera de suministro de agua de jardín de buena calidad que tenga por los menos 3/4" (19 mm) de diámetro interno y no sea mayor de 50 pies (15,25 m).
2. Asegúrese de que la malla de agua es limpiado y libre de obstrucciones. controlar tanque de flotar para objetos extranero o escombros. Si el flujo del agua se queda restringido a la bomba, vacilacion puede ocurrir. Este podría causar falla prematura de la bomba.
3. Si conectar uno del fin de mangurera de suministro de agua a entrada del tanque de flotar y conectar el otro fin a suministro presurizado de agua.

**NOTA:** *Si existe un alto grado de contenido mineral en su agua, se recomienda usar un ablandador de agua para prevenir la posibilidad de una acumulación excesiva de incrustaciones dentro del serpentín del intercambiador de calor.*

4. Use la necesidades de aga entrada como tener abajo:
  - a. Presión del agua necesitar estar entre de un mínimo de 40 PSI y máxima de 65 PSI.
  - b. La entrada de GPM tiene que estar un galón más de cada minuto de la salida de GPM que indicado en plato de nombre de la maquina. (Puede controlar el GPM de su fuente como encendido de relleno de un envase de cinco galones.)
  - c. La temperatura del agua entrada no exceder de 125°F. Dano grande de bomba se resulto si la temperatura del agua excedor este nivel.
5. Nunca permita que la unidad opere sin que la línea de agua de entrada esté conectada y sin que el suministro de agua esté completamente abierto.

## INSTALACIÓN Y PREPARACIÓN

### VÁLVULA DE DESCARGA



### DESCARGA:

La descarga ha preprogramado en la fábrica.

---

### PROCEDIMIENTOS DE INSPECCIÓN ANTES DEL ENCENDIDO:

Antes de encender la unidad, realice los siguientes procedimientos:

1. Revise el nivel de aceite de la bomba.
2. Revise la malla filtrante de la entrada de agua. Limpie o reemplace de ser necesario. Vea "Suministro de agua", #2.
3. Revise todas las conexiones de la manguera para asegurarse de que estén bien ajustadas. Vea "Suministro de agua", #3.
4. Inspeccione para asegurarse que no existan fugas de agua, aceite o combustible del sistema. Si encuentra una fuga de combustible, ¡NO ENCIENDA LA UNIDAD! Vea la sección de advertencias de "Riesgo de explosión o incendio" en la página 64-65. Asegúrese que se hayan reemplazado todas las partes dañadas y se hayan corregido los problemas mecánicos, antes operar de nuevo la unidad. Si requiere servicio, llame a la oficina de Servicio a clientes.
5. Inspeccione las mangueras de alta presión para asegurarse que no tengan dobleces, rupturas o fugas. Si se encuentra una ruptura o fuga, ¡NO USE LA MANGUERA! Reemplace la manguera antes de encender la unidad. Vea "Riesgo de inyección" en la página 66. Asegúrese que se hayan reemplazado todas las partes dañadas y se hayan corregido los problemas mecánicos, antes operar de nuevo la unidad. Si requiere servicio, llame a la oficina de Servicio a clientes.

### AQUÍ TERMINAN LAS INSTRUCCIONES DE PREPARACIÓN

# **ADVERTENCIA**

**LAS SIGUIENTES PÁGINAS CONTIENEN INSTRUCCIONES SOBRE LA OPERACIÓN Y EL MANTENIMIENTO.**

**NO INTENTE OPERAR ESTA LAVADORA A PRESIÓN HASTA QUE HAYA LEÍDO Y COMPRENDIDO TODAS LAS PRECAUCIONES E INSTRUCCIONES DE SEGURIDAD SEÑALADAS EN ESTE MANUAL.**

**¡LA OPERACIÓN INCORRECTA DE ESTA UNIDAD PUEDE CAUSAR LESIONES GRAVES!**

**¡NO ALTERE NI MODIFIQUE ESTE EQUIPO DE NINGUNA MANERA!**

## INSTRUCCIONES DE OPERACIÓN



### PRECAUCIÓN

#### RIESGO DE DAÑO A LA UNIDAD

ASEGÚRESE QUE NO ESTÉN CONECTADAS LA MANGUERA, LA PISTOLA O LA BOQUILLA CUANDO SE ESTÉ CEBADO DE LA BOMBA. AL CEBADURA SE LIBERAN DEPÓSITOS MINERALES DEL SISTEMA, LOS CUALES PODRÍAN OBSTRUIR O DAÑAR LA PISTOLA Y LA BOQUILLA, REQUIRIENDO REPARACIONES



### PELIGRO

#### ¡RIESGO DE INYECCIÓN QUE PROVOCA LESIONES GRAVES!

¡MANTÉNGASE COMPLETAMENTE APARTADO DE LA BOQUILLA! ¡NUNCA COLOQUE LA MANO O LOS DEDOS DELANTE DE LA BOQUILLA! ¡NO DIRIJA EL CHORRO DE DESCARGA HACIA PERSONAS O MASCOTAS!

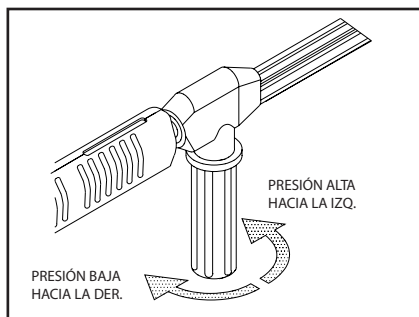


### PRECAUCIÓN

#### RIESGO DE DAÑO

NO PERMITA QUE EL PATRÓN DE ROCÍO PERMANEZCA EN UNA ÁREA FIJA DURANTE UN PERIODO DE TIEMPO PROLONGADO. PUEDE CAUSAR DAÑOS

#### EMPUÑADERA AJUSTABLE



#### FUNCIONANDO EL SISTEMA:

Esta unidad tiene un rollo de acero que después de colocarlo, causará los restos del agua en el rollo de usos anteriores cambiar a marrón o negro. Este agua tiene que funcionar del sistema antes de encender. Este procedimiento debe desempeñarse sin la instalación de manguera de presión alta, pistola y asamblea de lanza.

1. Encender el suministro del agua.
2. Encender el motor de unidad. Agua de presión baja empezará fluir de la salida de agua. Este permitirá la unidad para funcionar partículas del sistema. La unidad está funcionando cuando el agua está clara.
3. Cuando el sistema está funcionando, desconectar el motor y conectar la manguera de presión alta a la salida de agua de la unidad.
4. Conecte el gatillo de pistola y la asamblea de doble lanza a la manguera de presión alta.
5. Instale boquilla deseable entre la asamblea de doble lanza.

#### ARRANQUE/OPERACIÓN CON AGUA FRÍA:

1. Vea "Advertencias de seguridad", páginas 68 a 73, antes de encender la unidad.
2. Localice las calcomanías de seguridad en su unidad y ponga atención a esas advertencias.
3. Asegúrese de que el interruptor del quemador esté en posición de apagado.
4. Apunte la pistola de gatillo en dirección segura, quite el seguro y apriete el gatillo. Sostenga el gatillo abierto mientras arranca el motor, según las instrucciones del fabricante en el manual del motor que acompaña esta unidad. Apóyese firmemente en caso de que la pistola lo empuje cuando se encienda la bomba. Prepararse para la posibilidad de mordida de pistola cuando el motor empieza.
5. Una vez que ha arrancado el motor, asegúrese de que el obturador del motor esté ajustado a la velocidad normal de operación (RPM) y realice los siguientes procedimientos con la pistola activada:
  - a. Inspeccione el sistema en busca de fugas de agua, aceite y combustible. Si encuentra una fuga de combustible, ¡APAGUE LA UNIDAD INMEDIATAMENTE! Vea las advertencias de "Riesgo de explosión o fuego", página 67. Asegúrese de que se hayan reemplazado todas las partes dañadas y se hayan corregido los problemas mecánicos, antes de operar de nuevo la unidad. Si requiere servicio, llame a la oficina de Servicio a clientes.
  - b. Inspeccione las mangueras de alta presión para asegurarse de que no tengan dobleces, rupturas o fugas. Si encuentra una ruptura o fuga, ¡NO TOQUE LA PARTE DE LA RUPTURA! ¡APAGUE LA UNIDAD INMEDIATAMENTE! Reemplace la manguera antes de encender la unidad. Vea las advertencias de "Riesgo de inyección" en la página 66. Asegúrese de que se hayan reemplazado todas las partes dañadas y se hayan corregido los problemas mecánicos, antes de operar de nuevo la unidad. Si requiere servicio, llame a la oficina de Servicio a clientes.
6. En esta etapa, la unidad está operando como lavadora a presión con agua fría. Ponga la pistola algunas veces y trata de ajustar la presión de alta. Girar la empuñadura ajustable en la lanza doble para aplicación de presión alta y bajo. ¡NUNCA coloque las manos o los dedos delante de la boquilla ni mire directamente hacia la boquilla.
7. No permitir la operación de máquina en modo de bypass (con el gatillo de pistola cerrado) para más de tres minutos sin apretando el gatillo de pistola. Falta de hacer este mandato fácil puede causar la falla de embalaje de bomba.

#### OPERACIÓN CON AGUA CALIENTE:

1. Siga los pasos señalados en la sección de "Arranque/operación con agua fría."
2. Mover interruptor de quemador a posición de "ON".
3. Revisar el sistema para agujeros de gasolina una otra vez. Si encontrar un agujero de gasolina ¡parar la máquina inmediatamente! Vea las advertencias como "Riesgo de explosión o fuego". Asegúrese de que reemplazar de todas partes dañadas y todos problemas mecánicos están correctos antes de la operación de esta unidad.

**NOTA:** Con la empieza primera, agua será calor en 20 segundos aproximadamente y alcanzará temperatura máxima dentro de 2-1/2 minutos si el gatillo de pistola estaba abierto. El quemador no disparará cuando el gatillo es despedido.



### ADVERTENCIA

#### ¡RIESGO DE QUEMADURA!

LA TEMPERATURA DEL AGUA PODRÍA SER MUY ELEVADA DURANTE LA OPERACIÓN CON AGUA CALIENTE. TENGA CUIDADO CUANDO AJUSTE LA PRESIÓN O CONTROLE EL CONJUNTO DE PISTOLA/GATILLO/VARILLA.



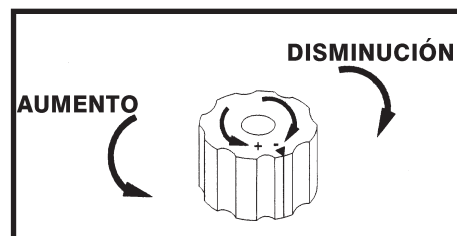
## INSTRUCCIONES DE OPERACIÓN

### LIMPIEZA CON DETERGENTES- PRESIÓN ALTA:

**NOTA:** Esta función está diseñada para ser usada únicamente con detergentes suaves. Dado que la solución de limpieza viaja a través de la bomba y el serpentín del intercambiador de calor, no use corrosivos ya que provocarán daño extenso y representan un peligro considerable.

1. Vea las advertencias de “Riesgo de lesiones”, página 66. Asegúrese de usar vestimenta protectora como se indicó.
2. Prepare la solución de detergente de acuerdo a las instrucciones en la etiqueta. (Nunca bombear ácidos, alcalinos, fluidos abrasivos o solventes por la unidad. Es recomiendo que use solamente detergentes ligeros con desconocidos y muchas veces corrosivos de muchos detergentes poulares en la industria de limpiado de lavadores de presión.)
3. Sumerja completamente el extremo de la malla filtrante de la manguera de vinilo transparente en la solución de detergente.
4. Para aplicar la solución, quite el seguro de la pistola active el gatillo. En unos cuantos momentos, una mezcla de detergente y agua saldrá por la boquilla. Comience a rociar la porción inferior de la superficie que va a lavar y siga en dirección ascendente, en pasadas largas, superpuestas. Aplicando de la parte inferior hacia arriba se evitan manchas de escurrimientos. Permita que se remoje brevemente. Trate de no trabajar en superficies calientes o expuestas a la luz directa del sol, para reducir las probabilidades de que el detergente se seque, lo cual podría causar daños a la superficie. Asegúrese de aplicar la solución de limpieza a una pequeña sección a la vez.
5. Para enjuagar: fije la pistola de gatillo en la posición de APAGADO. Cambiar la válvula de contador de detergente a posición de OFF. Quite el seguro de la pistola y rocíe. Tomará aproximadamente 30 segundos para purgar todo el detergente de la línea. Para lograr los mejores resultados de enjuague, comience en la parte superior y avance en forma descendente.
6. Haga pasar por acción de sifón un galón de agua a través del sistema de inyección de detergente del sistema después de cada uso. Esto evita la posibilidad de corrosión o acumulación de residuos de detergente, lo cual provocaría problemas mecánicos durante el siguiente uso.

### VÁLVULA DE CONTADOR DE DETERGENTE



---

### APAGADO:

1. Mueva el interruptor del quemador a la posición de OFF.
2. Apriete el gatillo y descargue agua por unos tres minutos para enfriar el intercambiador de calor y la manguera de alta presión (el enfriamiento insuficiente de la manguera de alta presión causará desgaste excesivo y rotura eventual de la manguera).
3. No cierra el choke para parar el motor. Petardear o daño puede ocurrir.
4. Mueva la llave del motor a posición de OFF.
5. Desconecte el suministro del agua y oprima el gatillo de la pistola momentáneamente para liberar la presión atrapada.

Desconecte y vacíe la manguera de presión alta, la pistola y lanza. Limpie la unidad. Almacenaje en medio ambiente de no enfriar.

## INSTRUCCIONES DE OPERACIÓN

### OPCIONES:

#### TERMOSTATO AJUSTABLE:

Regula la temperatura de descarga máxima. Gire el cuadrante a temperatura de descarga máxima que desearable. Este puede causar el incendio intermitente del quemador.

#### VÁLVULA DE BOLEA: (Tanque auxiliar)

1. Conecte la manguera de tanque auxiliar para abrir parte en la válvula de bolea de 3-maneras.
2. Use la palanca de selector en la válvula de bolea para permitir el flujo de agua de tanque auxiliar a la bomba.
3. El nivel del agua en tanque de auxiliar siempre está más arriba que entrada de bomba. Fracaso de mantener el nivel del agua arriba la entrada de bomba resultará que la bomba quedarse seco y daño a fin mojado de la bomba.

## ALMACENAJE Y MANTENIMIENTO

### MANTENIMIENTO ESPECIFICO:

**COMPONENTES DE EMISIÓN EVAPORADO:** La unidad que compró incluir los componentes siguientes que son de acuerdo con los Estandares de Emisión Evaporado de California Air Resources Board de 2006.

Estandares de Emisión:

1. Manguera de combustible
2. Instalaciones de Manguera de combustible

Estos componentes deben tener inspección en un base diario para grietas, agujeros y uso abnormal. Si ocurrió las grietas, agujeros o uso abnormal, reemplace los componentes inmediatamente.

**MOTOR:**En el instructivo del motor que viene con su unidad se detallan los procedimientos específicos para dar mantenimiento al motor. Si sigue las recomendaciones del fabricante prolongará la duración de su motor.

**BOMBA:**Cambie el aceite de la bomba después de 50 horas de operación. Después del cambio inicial, el fabricante recomienda cambiar el aceite cada 3 meses o a intervalos de 250 horas. Si el aceite tiene aspecto sucio o lechoso, quizá sea necesario hacer cambios más frecuentemente. Use aceite especial para bombas SAE20 o 30 non detergente y solo llene hasta el centro de la mirilla de nivel. **NO LLENE DEMASIADO.**

**BOQUILLA:**El flujo de agua a través de la boquilla de rocío causará erosión del orificio, ensanchándolo y provocando una pérdida de presión. Deben reemplazarse las boquillas siempre que la presión llegue al 85% del máximo. La frecuencia del reemplazo depende de variables tales como el contenido mineral en el agua y la cantidad de horas que se use la boquilla.

### MANTENIMIENTO-CADA 3 MESES:

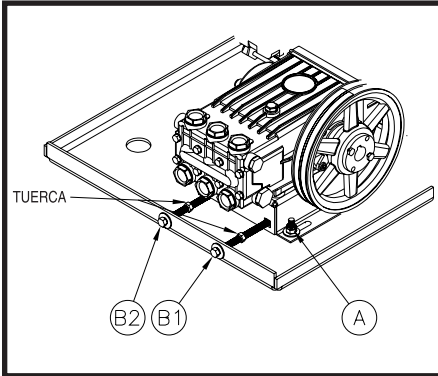
**CAMBIAR ACEITE DE BOMBA DEL AGUA:** Asegúrese de unidad está en posición de OFF. Cambiar aceite de bomba despues de la cincuenta horas primeras de operación. Despues de cambio primero, cada y todo 3 meses o intervalos de 500 horas es recomendado. Si aceite está sucio o lechoso, cambios puede necesitar en más frecuencia. Use SAE20 o 30 aceite sin-detergente de bomba y llenar a medio de vidrio de ver de aceite. No llenar algo hast el borde.

**REEMPLAZAR BOQUILLA DE PRESIYN ALTA:** Flujo de agua por boquilla de atomizar erosionará el orificio, este hará más grande y resultará en perdida de presión. Debe reemplazar las boquillas cuandoquiera presión es menos de 85% de la maxima. La frecuencia de reemplazar es dependente de algunas variables como contenido de mineral en el agua y el numero de usar de la boquilla.

## ALMACENAJE Y MANTENIMIENTO

### MANTENIMIENTO-CADA 3 MESES:

**INSPECCIÓN DE CORREA:** Asegúrese de que la unidad está en posición de "OFF" y quite las guardias de cinturón. Inspeccionar la correa de v para llevar y 10 fuerte. Si necesita reemplazar o hacer más estricto la correa de v, seguir los procedimientos abajo.



**Reemplazar:**

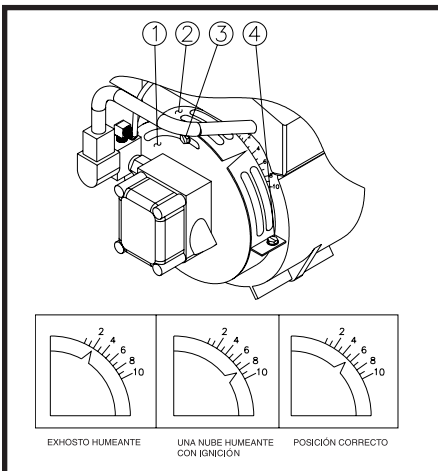
1. Suelte tornillos de monte de las cuatro bombas (A).
2. Suelte las dos tuercas de alineación aproximadamente una pulgada en los tornillos de alineación (B1 & B2).
3. Deslizarse la bomba hacia el motor para soltarse las correas.
4. Quitar y reemplazar la correa.

**Apretar:** (Si correa de v no ha reemplazado, necesitará soltarse las tuercas en tornillos de alineación de B1 y B2 antes de proceder.)

1. Apretar tornillo de alineación de B2. La bomba moverá a la izquierda hasta hay tenión en la correa. Entonces apretar tuerca B2.
2. Apretar tornillo de alineación de B1 hasta (as gavillas están rectas. (use un filo recto para alineación).
3. Empujar en la correa de v para revisar deflexión de correa para tensión. Debe haber deflexión de 1/4" a 1/2" para tensión correcto.
4. Si las gavillas están rectas y tensión es correcto, apretar tuerca de B1 y los cuatro tornillos de monte de la bomba. (A)
5. Si tensión es correcto, repetir muneros 6 y 7 hasta alineación correcto y tensión correcto ha logrado. Apretar los cuatro tornillos de monte (A) cuando terminar.
6. Suelte tuerca de B2, aprete tornillo de B2, aprete tuerca de B2.
7. Suelte tuerca de B1, aprete tornillo de B1, aprete tuerca de B1.

**AJUSTADO DE AIRE DE QUEMADOR:** La contra- ventana ha preprogramado en la fabrica para operación apropiado entre nivel del mar y elevación de 2000 pies en condiciones normales (temperaturas del aire y agua de 60° F). En temperaturas más frio o altitudes más arribas, puede necesitar para ajustar el suministro del aire a la cámara de combustión. Este ajustado maximizará la eficiencia de quemador y evitar operación sin eficiencia o cnatidad exceso de hollín de rollo de intercambio de calor. Durante algo ajustado de contraventana del aire y bada es recomendado para hacer un examen de humo. Si no tiene el equipo para hacer un examen de humo, siga los procedimientos abajo:

### AJUSTADO DE AIRE DE QUEMADOR



1. La maquina necesita estar funcionando quemador en posición de "ON".
2. Suelte atornillo de cerradura (#3 en la izquierda en la contraventana.
3. Revisar para humo del exhosto de interambio de calor. Si no hay humo, cerrar la contraventana del aire muy despacio (#1 en la izquierda) como moviendo el disco en sentido contrario a las agujas del reloj a numero más bajo. Siga mover el disco hasta hay humo.
4. Anotar este posición.
5. Abra la contraventana del aire (#1 en izquierda) de dos incrementos. Por ejemplo: Si contraventa del aire fue en 2, la mueva a 4.
6. Mover muy despacio el gatillo de pistola a posición "ON" y "OFF". Este hará quemador estar en posición ON y OFF. Vea para una nube de humo cuando hay ignación de quemador.
7. Repetir numeros 5 y 6 hasta hay una nube de humo. Anotar posición de contraventana del aire.
8. La diferencia entre las posiciones de anotar en numeros 4 y 7 es la ventana de combustión. Ponga el disco en posición de medio manera entre de este posiciones.

**NOTA:** Puede necesitar más o menos aire para tener una ventaña de combustión correctos: no puede detectar un posición en peldaño numero 3 o 7. Suelte el tornillo (#4 a la izquierda) abra la Banda de Aire (#2 a la izquierda) en incrementos de 1/4". Repite posiciones 3-8 hasta combustión correto ha logrado.

**EXAMINE AGUA Y PRESIÓN DE COMBUSTIBLE:** Estos procedimientos debe hacer de un tecnico de servicio que tiene autoridad.

**EXAMINE AGUA Y TEMPERATURA:** Estos procedimientos debe hacer de un tecnico de servicio que tiene autoridad.

## ALMACENAJE Y MANTENIMIENTO

### **MANTENIMIENTO – CADA 6 MESES**

**REEMPLACE FILTRO DE COMBUSTIBLE** – Siga las instrucciones se dan en filtro de combustible para procedimiento correcto.

### **MANTENIMIENTO – CADA 12 MESES**

**LIMPIAR EL ROLLO DE CAL** – Una pérdida de presión puede significar que el rollo necesita limpiar de cal. Haga este procedimiento en base periódico.

1. Mezcla polvo/solución de limpiado de cal en según a direcciones en paquete.
2. Quite la boquilla del bastón. Ponga una media de nylon encima de la asamblea del bastón para colectar desechos, y entonces ponga la asamblea del bastón en tanque de flotar.
3. Asegúrese de que el gatillo de pistola está abierto y empezar el motor para permitir la circulación del agua por el sistema. Permitir est proceso seguir por 2-4 horas (consulte direcciones de paquete de agente de limpiar el cal para tiempo exacto).
4. Cuando todo se completó, ponga el motor en posición de "OFF". Desague y limpie el tanque de flotar, quite media de nylon, y limpie la pistola y asamblea del bastón.
5. Limpie todo del sistema con agua limpiado y fresco y ponga la boquilla en asamblea del bastón.
6. Quite solución de limpiado de cal en según a regulaciones de local, estado y federal.

**EXAMINE EL VOLTAJE Y DECORRIDO DE AMPERIO:** Use un metro del voltaje y amperio para examinar la maquiña para voltaje y amperaje correcto. Este procedimiento debe hacer de un tecnico servicio con autoridad si no tiene estos instrumentos o no ser asegúrese como hacer estos examines.

**INSPECCIONE FILTRO INTERIOR DE BOMBA DE QUEMADOR DE COMESTIBLE:** Este procedimiento debe hacer de un tecnico de servicio con autoridad.

**REVISE ELECTRODOS DE QUEMADOR:** Este procedimiento debe hacer de un tecnico de servicio con autoridad.

**REEMPLACE BOQUILLADE COMESTIBLE:** Este procedimiento debe hacer de un tecnico de servicio con autoridad.

## ALMACENAJE Y MANTENIMIENTO

### MANTENIMIENTO - ESTACIONAL:

**NOTA:** La preparación apropiada para el invierno está basada en las instrucciones recomendadas del fabricante incluidas en la "Tabla de Protección" mostrada en el rótulo posterior de la mayoría de los recipientes de anticongelantes.

**PREPARACIÓN PARA EL INVIERNO:** Será necesario preparar esta unidad para el invierno, para fines de Almacenamiento y transporte en temperaturas ambiente inferiores al punto de congelación. Esta unidad debe protegerse contra la temperatura más baja incurrida por las siguientes razones:

1. Si se congela cualquier parte del sistema de bombeo puede acumularse una presión excesiva en la unidad, lo que podría causar que la misma reviente resultando en lesiones posibles graves al operador o a los observadores.
2. El sistema de bombeo de esta unidad puede resultar dañado permanentemente si se congela. **LOS DAÑOS POR CONGELACION NO ESTAN CUBIERTOS POR LA GARANTIA.**

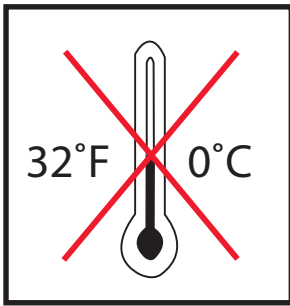
Usted puede proteger su unidad siguiendo el procedimiento indicado abajo, si debe almacenarla en un lugar donde la temperatura puede descender por debajo de los 32°F.

### VOLARLE DEL AIRE:

1. Quite la boquilla de asamblea del bastón. Aprete el gatillo hasta nada agua sale la asamblea del bastón.
2. Conecte instalación del aire de una manguera del aire a instalación de mallas en tanque de flotar.
3. Funcione aire comprimado entre el sistema para evitar todo agua del sistema.

### SOLUCIÓN DEL ANTICONGELANTE:

1. Eche una mezcla de anticongelante y agua entre tanque de flotar.
2. Fonga malla de detergente en solución de 100% anticongelante.
3. Gire interruptor a posición de "BOMBA". Permita travasar con sifón del anticongelante por sistema hasta ca salida el tomacorriente de solución del anti congelante. (Para asegurarse de que el rollo está listo para el invierno, el solución de anticongelante tiene que salir el tomacorriente. Agregue más solución de anticongelante al tanque de flotar si en necesario.
4. Almecene la solución anticongelante para un uso ulterior o descártela de acuerdo con las leyes de EPA del estado.



## LOCALIZACION DE FALLAS

SINTOMA	CAUSA PROBABLE	SOLUCION
El motor no arranca.	<p>Problemas con el motor.</p> <p>Los componentes de la unidad están congelados.</p>	<p>Vea el manual del motor que viene con su unidad.</p> <p>Permita que se descongele. Si alguna parte de la unidad se congela, es posible que se acumule la presión, lo cual podría ocasionar que la unidad reviente y consecuentemente provoque lesiones graves al operador o las personas que se encuentren alrededor.</p>
No hay descarga de la boquilla cuando se acciona el mecanismo del gatillo.	Suministro inadecuado de agua.	Asegúrese que la manguera tenga 3/4" de diámetro y que el suministro de agua entrante esté abierto.
Presión baja o fluctuante	<p>Doblez en la manguera de entrada de agua.</p> <p>Está obstruido el tamiz de la entrada de agua.</p> <p>La bomba absorbe aire (Eliminado el cebado)</p> <p>No está en modo de presión alta.</p> <p>La boquilla de rociado está obstruida o gastada.</p> <p>El conjunto de la válvula en la bomba está dañado o obstruido.</p> <p>Los empaques de la bomba están gastados.</p> <p>La válvula de derivación no opera correctamente.</p>	<p>Elimine el doblez</p> <p>Saque el tamiz, limpie o reemplace.</p> <p>Ajuste todas las conexiones de entrada de agua. Elimine dobleces en la tubería de entrada.</p> <p>Introduce boquilla de presión alta.</p> <p>Mueva la empuñadura ajustable en lanza doble <b>en sentido contrario a las agujas del reloj</b> a presión alta.</p> <p>Saque, limpie o reemplace.</p> <p>Saque, inspeccione, limpie o reemplace.</p> <p>Reemplace los empaques.</p> <p>Repare o reemplace.</p>
El agua parece lechosa o espumosa	Válvula defectuosa.	Reemplace.
Pérdida de aceite de la unidad	Agua en el aceite	Cambie la bomba de aceite. Llene al nivel apropiado.
Agua está saliendo en válvula de seguridad.	<p>Mal funcionamiento de descargado.</p> <p>Mal funcionamiento del interruptor de presión.</p> <p>Válvula de seguridad es defectivo.</p>	<p>Detecte y corrija problema con descargado.</p> <p>Detecte y corrija problema del interruptor de presión.</p> <p>Reemplace válvula de seguridad. <b>NUNCA</b> funciona unidad sin válvula de seguridad. Este puede causar un explosión!</p>



## LOCALIZACION DE FALLAS

SINTOMA	CAUSA PROBABLE	SOLUCION
El detergente no fluir� por sif�n.	El tamiz del detergente no est� completamente sumergido en la soluci�n de detergente.	Inspeccione, sumerja si fuera necesario.
	El tamiz del detergente est� obstruido.	Inspeccione, limpie o reemplace.
	La manguera del detergente est� cortada, obstruida o doblada.	Inspeccione, limpie o reemplace.
	La perilla de ajuste del detergente est� girada a la posici�n cerrada.	Abra la perilla de ajuste. Refi�rase a "Limpieza con detergentes".
	La boquilla del detergente est� taponada.	Limpie o reemplace.
El flujo de agua retrocede al recipiente del detergente.	La esfera y el resorte en el Venturi est�n reverso, perdido o corroer.	Retire, limpie o reemplace.
Cuando la pistola de gatillo est� asegurado en la posici�n "OFF", el agua fluye desde la boquilla.	La pistola funciona mal.	Repare o reemplace.
Motor de calefactor no funcionar�. (quemador no inflamar� sin funcionando de calefactor)	Mal funcionamiento de quemador/calefactor del motor.	Repare o reemplace.
Calefactor funciona, pero quemador no inflamar�.	Varilla no est� en posici�n quemada.	Examine posici�n de varilla.
	No hay combustible.	M�s combustible.
	Gatillo est� cerrado.	Abre el gatillo para presi�n.
	Bomba combustible esta absorbandos el aire.	Apriete todas las conexiones de entrada de combustible. Elimine las fugas en la l�nea de entrada.
	No hay voltaje.	Llame al Departamento de Servicio.
	Varilla de presi�n est� fatigando.	Presi�n debe estar m�s a 375 PSI a permitir quemadura encender.
	El termostato no est� en posici�n de arriba suficiente.	Mueve termostato a posici�n mas arriba.
	V�lvula de detergente est� abierto pero manguera de detergente no est� sumergido entre soluci�n. (Este causa que aparatos de seguridad parar el quemador.)	Cierre v�lvula o sumerga completo manguera despejado de vinillo en soluci�n de detergente.
Insuficiente o Inadecuado suministro de comestible.	Revise comestible para asegurarse correcto. Si es necesario desaguar el tanque y filtro y rellenar con comestible apropiado.	

## LOCALIZACION DE FALLAS

SINTOMA	CAUSA PROBABLE	SOLUCION
Calefactor funciona pero quemador no inflamará.	<p>Filtro de comestible o seperador de agua de comestible es sucio o obstruir.</p> <p>Insuficiente presión de bomba de comestible.</p> <p>No funcionamiento de bomba de comestible.</p> <p>Pareado flexible rompió.</p> <p>Falla de válvula de solenoide del comestible.</p> <p>Boquilla de comestible es sucio o obstruir.</p> <p>Módulo de ignición defectuosa.</p> <p>Electrodos de ignición tienen daño o están muy gastados.</p> <p>Perilla de termostato está en posición de OFF.</p>	<p>Desague o reemplace como necesario.</p> <p>Revise presión de bomba de comestible, ajuste or reemplace como necesario.</p> <p>Revise presión, reemplace si necesario.</p> <p>Reemplace</p> <p>Reemplace</p> <p>Reemplace boquilla de comestible.</p> <p>Repare o reemplace. Consulte su departamento de servicio.</p> <p>Ajuste o reemplace electrodos. Conulte su departamento de servicio.</p> <p>Revise posición de perilla de termostato.</p>
Calefactor funciona, quemador inflama pero no calentará.	<p>Válvula de detergente está abierto pero manguera de detergetne no está sumergió completo entre solución. (Este causa que apartos de suguridad para el quemador)</p> <p>Insuficiente o indadecuado suministro de comestible.</p> <p>Seperador de agua de comestible y filtro de comestible es sucio o obstruir.</p> <p>Insuficiente presión de bomba de comestible.</p> <p>Boquilla de comestible es sucio o obstruir.</p> <p>Ajustado de quemador del aire incorrecto.</p> <p>Acumulación de sarro en rollo de intercambio de calor.</p>	<p>Cierre válvula o sumergir completo manguera despajado de vinillo en solución de detergente.</p> <p>Revise comestible para asegûrarse correcto. Si es necesario desague el tanque y filtro y rellenar con comestible apropiado.</p> <p>Desague o reemplace como necesario.</p> <p>Revise presión de bomba de comestible, ajuste o reemplace si necesario.</p> <p>Reemplace la boquilla de comestible.</p> <p>Ajuste como ver en pagina 78.</p> <p>Consulte departamento de servicio.</p>
Quemador funciona irregularamente.	<p>Agua está en aceite de comestible.</p> <p>Filtro de comestible o seperador de agua de corriestible es sucio.</p> <p>Boquilla de comestible es sucio.</p> <p>Posición de ajustado del aire es incorrecto.</p> <p>Mal funcionamiento de bomba de comestible.</p>	<p>Reemplace filtro de comestible o desague seperador de agua de comestible, desague tanque de comestible y reemplace con comestible limpiado.</p> <p>Reemplace el elemento.</p> <p>Reemplace</p> <p>Ajuste como ver en pagina 78.</p> <p>Reemplace</p>
Quemador despide fumo blanco.	<p>Insuficicinte comestible.</p> <p>Demasiado suminsitro del aire.</p>	<p>Rellene. Si fumo blanco siga, consulte departamento de servicio.</p> <p>Ajuste como ver en pagina 78.</p>
Quemador despide fumo negro.	<p>Insuficiente suminsitro del aire.</p>	<p>Ajuste como ver en pagina 78.</p>

## TABLA DE MANTENIMIENTO

PROCEDIMIENTO	DIARIAMENTE	3 MESES	6 MESES	9 MESES	12 MESES
Examine del nivel de aceite del motor	X				
Comabie del aceite del motor*****		X	X	X	X
Examine nivel del petroleo bomba	X				
Combie petroleo de bomba**		X	X	X	X
Examine filtración de petroleo	X				
Examine filtración de combustible	X				
Examine filtración del agua	X				
Examine la manguera		X			
Examine la pantalla de entrada de agua	X				
Examine filtro combustible		X	X	X	X
Reemplace filtro combustible			X	X	X
Examine de correas		X	X	X	X
Reemplace las boquilla de presión alta***		X	X	X	X
Reemplace filtro de bomba combustible*					X
Reponga tobera combustible*					X
Examine aire quemadura regulable					X
Examine quemadura electrodos*		X	X	X	X
Pruebe la presión del agua*					X
Pruebe la presión de combustible*		X	X	X	X
Pruebe temperatura del agua*		X	X	X	X
Quite escama del rolo****		X	X	X	X

\* Debe realizar esto un técnico de servicio autorizado.

\*\* Ud. tiene que cambiar combustible de bomba después de las primeras cincuenta (50) horas. De la operación y cada (250) horas o 3 meses, cualquiera.

\*\*\* Las boquillas de alta presión deben reemplazarse siempre que la presión sea inferior al 85%.

\*\*\*\* Hay una diferencia con la acumulación de escama con minerales en el agua y la cantidad de usos. Tienen que quitar escama cada mes o cada año.

\*\*\*\*\* El aceite del motor debe cambiarse después de las primeras 8 horas de operación y cada 50 horas o 3 meses, lo que ocurra primero.

### DECLARACIÓN DE GARANTÍA DE LA SERIE HDC

Fabricante garantiza todas las piezas (excepto las piezas a las cuales se hace referencia más abajo) de su nueva lavadora a presión SERIE HDC contra defectos en sus materiales o su manufactura durante los periodos siguientes:

Para vida:

Colector de bomba

Por diez (10) años a partir de la fecha original de compra:

La bomba de alta presión (Bomba General sólo)

Por siete (7) años a partir de la fecha de compra:

La bomba de presión alta (Bomba AR sólo)

Por cinco (5) años a partir de la fecha de compra:

Pollo de intercambiador de calor

Por dos (2) años a partir de la fecha de compra:

Estructura	Quemador
Protecciones	Polea
Tubería	

Por seis (6) meses a partir de la fecha de compra:

Motor de quemador	Transformador de ignición
-------------------	---------------------------

Por noventa (90) días a partir de la fecha de compra:

Interruptores de control	Interruptores de seguridad
Válvula de descargar	Bomba de combustible
Capacitor	

Por treinta (30) días a partir de la fecha de compra:

Mangueras de alta presión	Gatillo de pistola
Mallas / Filtros	

Durante el período de garantía, se repararán o reemplazarán a discreción de fabricante las piezas defectuosas que no estén sujetas a un desgaste normal. El reembolso en cualquier caso se limitará al precio de compra.

### EXCLUSIONES

1. El motor está cubierto bajo una garantía por separado que su respectivo fabricante ofrece y queda sujeto a los términos establecidos en dicha garantía.
2. Piezas sujetas a desgaste normal:

Empaques de la bomba	Boquillas atomizadoras
Válvulas de la bomba	Conectores roscados
Válvulas de detergente	Filtros de combustible
Argolla	Correas
3. Esta garantía no cubre piezas dañadas a causa de desgaste normal, aplicación incorrecta, uso incorrecto, o operación a velocidades, presiones o temperaturas diferentes a las recomendadas. Tampoco se garantizan las piezas dañadas o desgastadas debido al uso de líquidos cáusticos o a la operación en ambientes abrasivos o corrosivos, o bajo condiciones que causen cavitación de la bomba. También se anula la garantía si no se siguen los procedimientos recomendados de operación y mantenimiento.
4. El uso de piezas que no sean genuinas anulará la garantía.  
Las piezas enviadas con porte prepago a la fábrica de fabricante o a un centro de servicio autorizado serán inspeccionadas y reemplazadas sin cargo alguno si se encuentran defectuosas y están cubiertas por la garantía. No hay otras garantías que se extiendan más allá de la descripción presentada aquí. Fabricante no será responsable bajo ninguna circunstancia por pérdida de uso del aparato, pérdida de tiempo o renta, inconveniencia, pérdida comercial o daños consecuentes.





