



PARTS LIST FOR
WCL-30D-0M10
(Serial Break #30000296)
WATER TREATMENT SYSTEM

Congratulations on the purchase of your new Mi-T-M Water Treatment System! This parts listing has been compiled for your benefit. You can be assured your Mi-T-M Water Treatment System was constructed and designed with quality and performance in mind. Each component has been rigorously tested to insure the highest level of acceptance.

The contents of this parts listing are based on the latest product information available at the time of publication. Mi-T-M reserves the right to make changes in price, color, materials, equipment, specifications or models at any time without notice.

WARNING

THIS IS A PROFESSIONAL WATER TREATMENT SYSTEM. CAUTION SHOULD BE OBSERVED WHEN USING OR REPAIRING THIS UNIT! READ AND FOLLOW THE SAFETY WARNINGS LISTED BELOW BEFORE ATTEMPTING ANY REPAIRS ON THIS WATER TREATMENT SYSTEM!

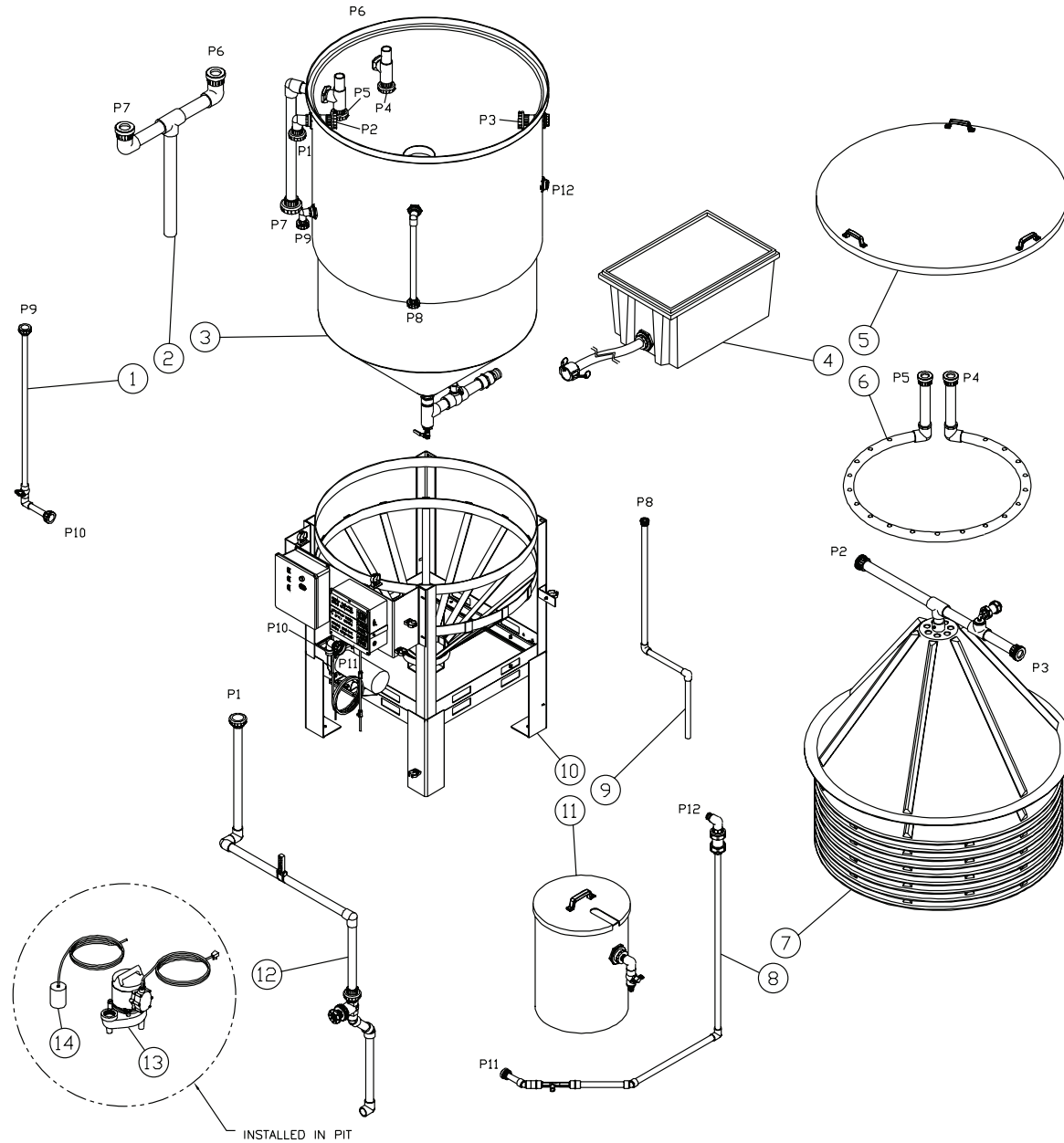
SAFETY WARNINGS

1. Serious injury or death could occur if the water treatment system is not properly grounded. Your water treatment system is powered by electricity and may cause electric shock or electrocution if not installed properly. Installation to this unit, including all electrical connections, must comply with all local, state and national codes. Any electrical wiring or repairs performed on this water treatment system should be done by Authorized Service Personnel in accordance with National and Local electrical codes.
2. NEVER alter or modify the equipment. Use only genuine Mi-T-M parts for repair of your water treatment system. Failure to do so can cause hazardous operating conditions and will VOID warranty.
3. Know how to stop and bleed pressures quickly. Be thoroughly familiar with controls. Do not operate without protective cover/guards. Follow the maintenance instructions specified in your operator's manual.
4. Before servicing, ALWAYS shut off the water and the unit. Allow the unit to cool down and drain the water. NEVER assume the water recycling treatment system is safe to work on just because it is not operating. It could restart at any time! ALWAYS disconnect from the power source. Service in a clean, dry, flat area.
5. Be especially careful to properly dispose of any flammable materials. Consult Materials Safety Data Sheets for safe handling of chemicals used with your system, especially oxidizers and acids.

Table of Contents

MAIN ASSEMBLY (BEFORE SERIAL #30000296)	4
MAIN ASSEMBLY (AFTER SERIAL #30000296)	6
CONE ASSEMBLY (BEFORE SERIAL #30000296)	8
CONE ASSEMBLY (AFTER SERIAL #30000296)	9
LID ASSEMBLY	10
NOTES	11
TANK ASSEMBLY (BEFORE SERIAL #30000296)	12
MAIN TANK DRAIN ASSEMBLY	14
TANK ASSEMBLY (AFTER SERIAL #30000296)	16
TANK STAND ASSEMBLY (BEFORE SERIAL #30000296)	18
TANK STAND ASSEMBLY (AFTER SERIAL #330000296)	20
PLUMBING: OZONE ASSEMBLIES (BEFORE SERIAL #30000296)	22
OZONE INLET PLUMBING (AFTER SERIAL #30000296)	24
OZONE OUTLET PLUMBING (AFTER SERIAL #30000296)	25
OZONE PUMP ASSEMBLY (AFTER SERIAL #30000296)	26
OZONE PUMP (3-0199)	27
OZONE GENERATOR (32-0531) (BEFORE SERIAL #30000296)	28
OZONE GENERATOR ASSEMBLY (32-0861) (AFTER SERIAL #30000296)	29
PLUMBING ASSEMBLIES (BEFORE SERIAL #30000296)	30
OUTLET RING (AFTER SERIAL #30000296)	32
INLET PLUMBING (AFTER SERIAL #30000296)	33
OUTLET PLUMBING (AFTER SERIAL #30000296)	34
OIL SKIMMER OUTLET (AFTER SERIAL #30000296)	35
DECANTER TANK ASSEMBLY (855-0014)	36
SLUDGE BOX ASSEMBLY (855-0017)	37
SUMP PUMP (3-0180) (BEFORE SERIAL #30000296)	38
PUMP STRAINER BASKET (AFTER SERIAL #30000296)	40
CONTROL PANEL (BEFORE SERIAL #30000296)	42
CONTROL BOX ASSEMBLY (AFTER SERIAL #30000296)	44
LADDER DIAGRAM 24V AND 230V	46
WIRE DIAGRAM	47
PRODUCT TANK (80 GALLON) ASSEMBLY (855-0015)	48
PRODUCT TANK (165 GALLON) ASSEMBLY (855-0016)	49

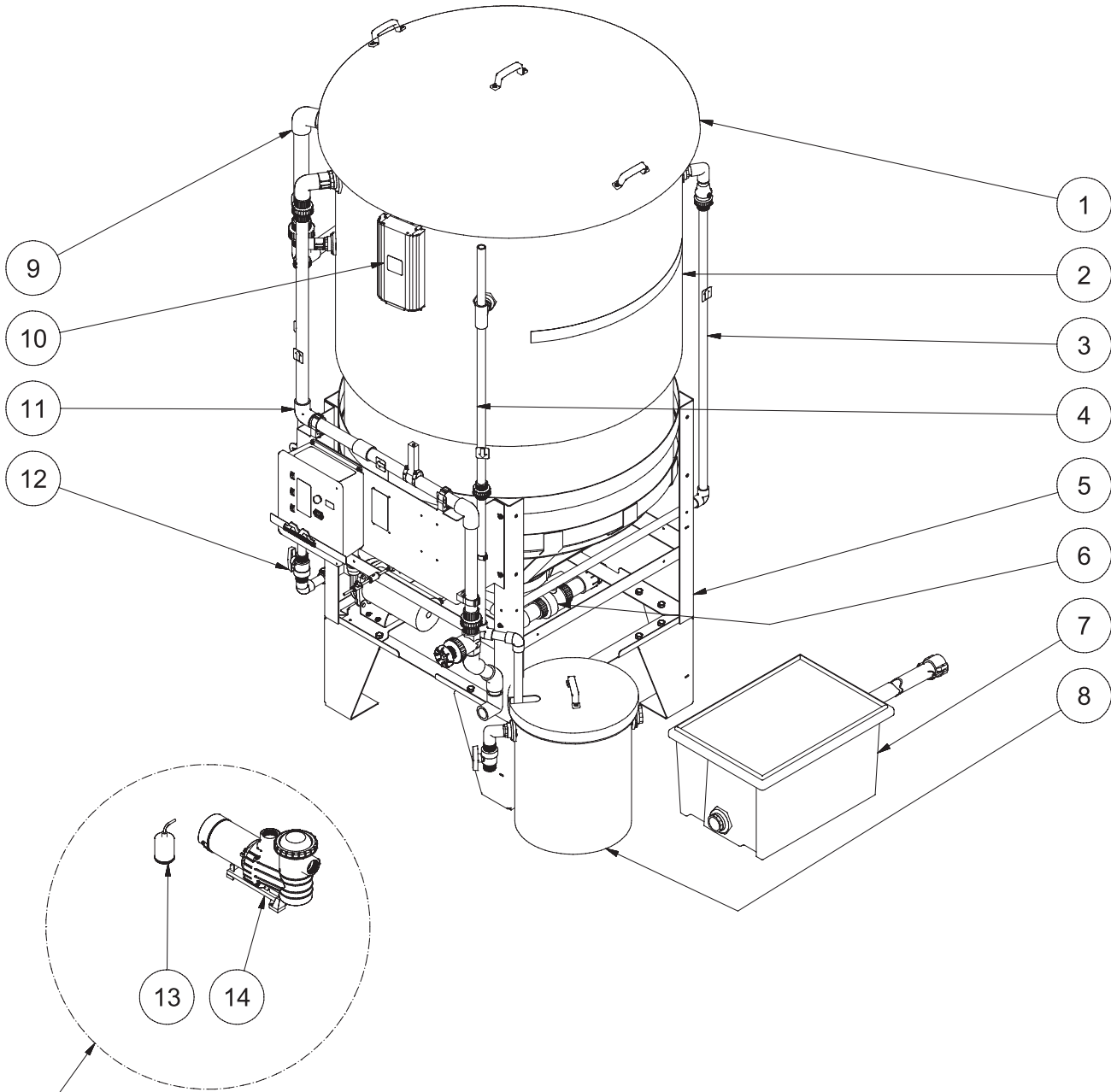
MAIN ASSEMBLY (BEFORE SERIAL #30000296)



WCL-30D-0M10-032700-WKB

MAIN ASSEMBLY			
REF. #	DESCRIPTION	PART#	QTY.
1	Plumbing: Ozone Pump Inlet (See pg. 14)	N/A Sep.	1
2	Plumbing: Outlet Tee (See pg. 18)	N/A Sep.	1
3	Tank Assembly (See pg. 10)	N/A Sep.	1
4	Sludge Box Assembly	855-0017	1
5	Lid Assembly (See pg. 9)	N/A Sep.	1
6	Plumbing: Outlet Ring (See pg. 18)	N/A Sep.	1
7	Cone Assembly (See pg. 8)	N/A Sep.	1
8	Plumbing: Ozone Pump Outlet (See pg. 14)	N/A Sep.	1
9	Plumbing: Oil Skimmer Outlet (See pg. 18)	N/A Sep.	1
10	Tank Stand Assembly (See pg. 12)	N/A Sep.	1
11	Oil Decanter Assembly	855-0014	1
12	Plumbing: Inlet (See pg. 18)	N/A Sep.	1
13	Sump Pump	3-0180	1
14	Float	32-0528	1

MAIN ASSEMBLY (AFTER SERIAL #3000296)

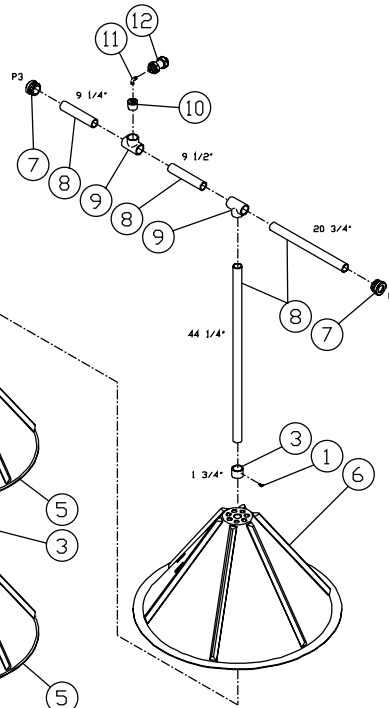


WCL-30D-0M10-120806-PJH

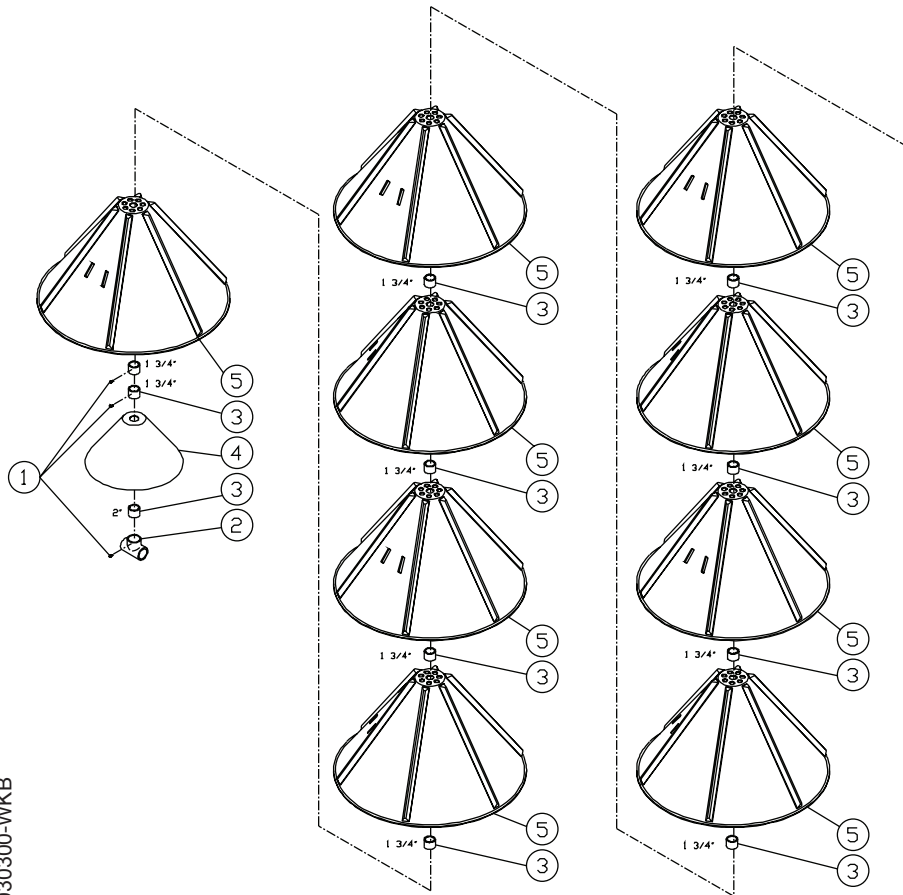
INSTALLED IN PIT

MAIN ASSEMBLY			
REF. #	DESCRIPTION	PART#	QTY.
1	Lid Assembly	N/A Sep.	1
2	Tank Assembly	N/A Sep.	1
3	Ozone Outlet Plumbing	N/A Sep.	1
4	Oil Skimmer Outlet	N/A Sep.	1
5	Tank Stand Assembly	N/A Sep.	1
6	Drain Assembly -WCL-30D-0M10	N/A Sep.	1
7	Sludge Box Assembly	855-0017	1
8	Decanter Tank Assembly	N/A Sep.	1
9	Outlet Plumbing	N/A Sep.	1
10	Ozone Generator Assembly -WCL-30D-0M10	N/A Sep.	1
11	Inlet Plumbing	N/A Sep.	1
12	Ozone Inlet Plumbing	N/A Sep.	1
13	Float	32-0528	1
14	Pump-Strainer Basket	3-0214	1
15	Outlet Ring Assembly	N/A Sep.	1
16	Cone Assembly	N/A Sep.	1

CONE ASSEMBLY (BEFORE SERIAL #3000296)



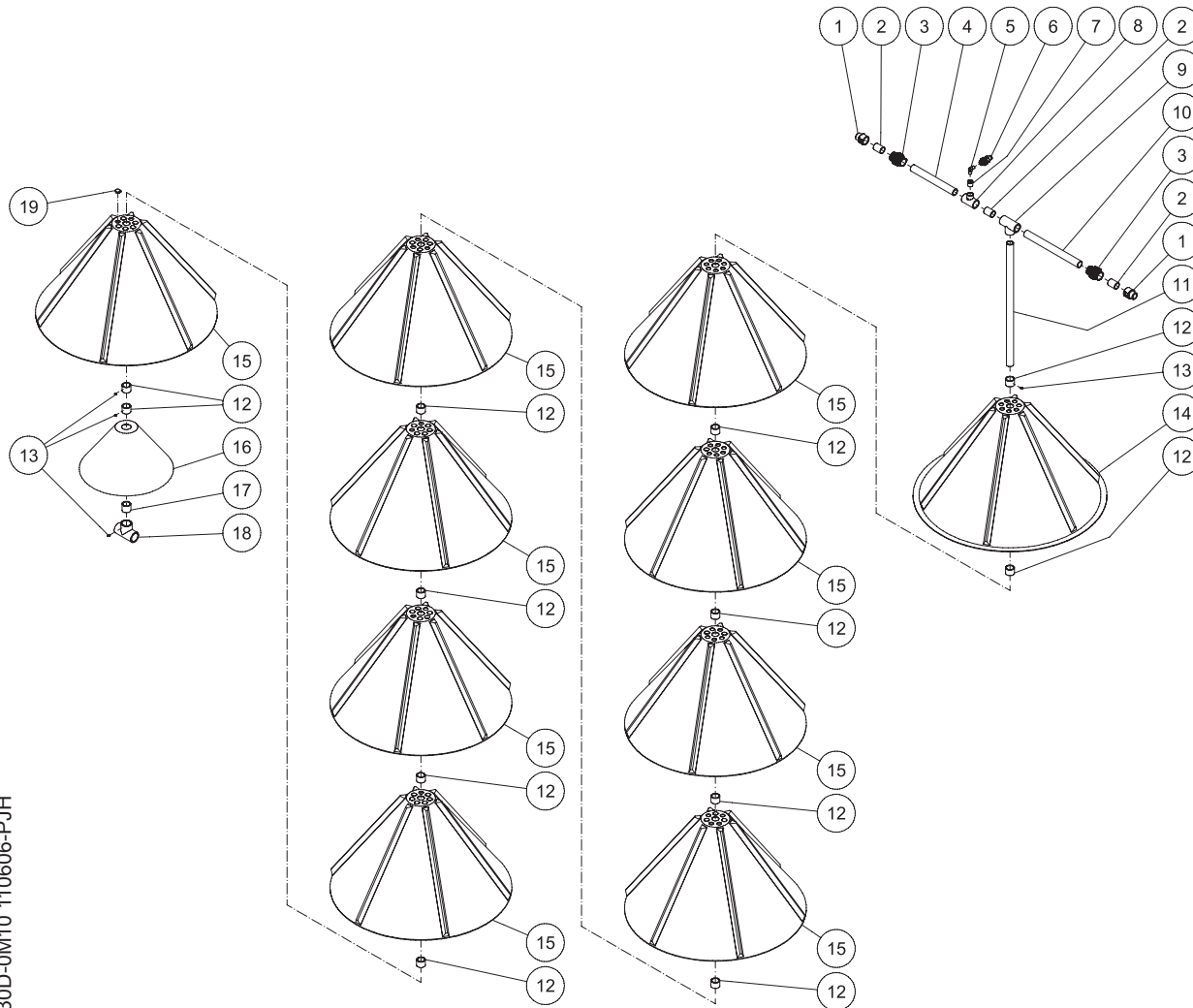
WCL-0002-030300-WKB



CONE ASSEMBLY			
REF. #	DESCRIPTION	PART #	QTY.
1	Screw	27-3048	4
2	Tee	55-1801	1
3	Pipe *(Varied Feet Required)	55-1800	1
4	Cone- Small	33-0334	1
5	Cone- Large	33-0331	9
6	Cone- Large w/ Lip	33-0297	1
7	Union (Includes O-ring 25-0448)	55-1645	2
8	Pipe *(Varied Feet Required)	55-1600	1
9	Tee	55-1601	2
10	Reducer	55-1631	1
11	Elbow	23-0386	1
12	Check Valve	55-0853	1
*Must Order in One Foot Lengths			

WCL-0002-030300-WKB

CONE ASSEMBLY (AFTER SERIAL #30000296)



CONE ASSEMBLY -WCL-30D-0M10 110606-PJH

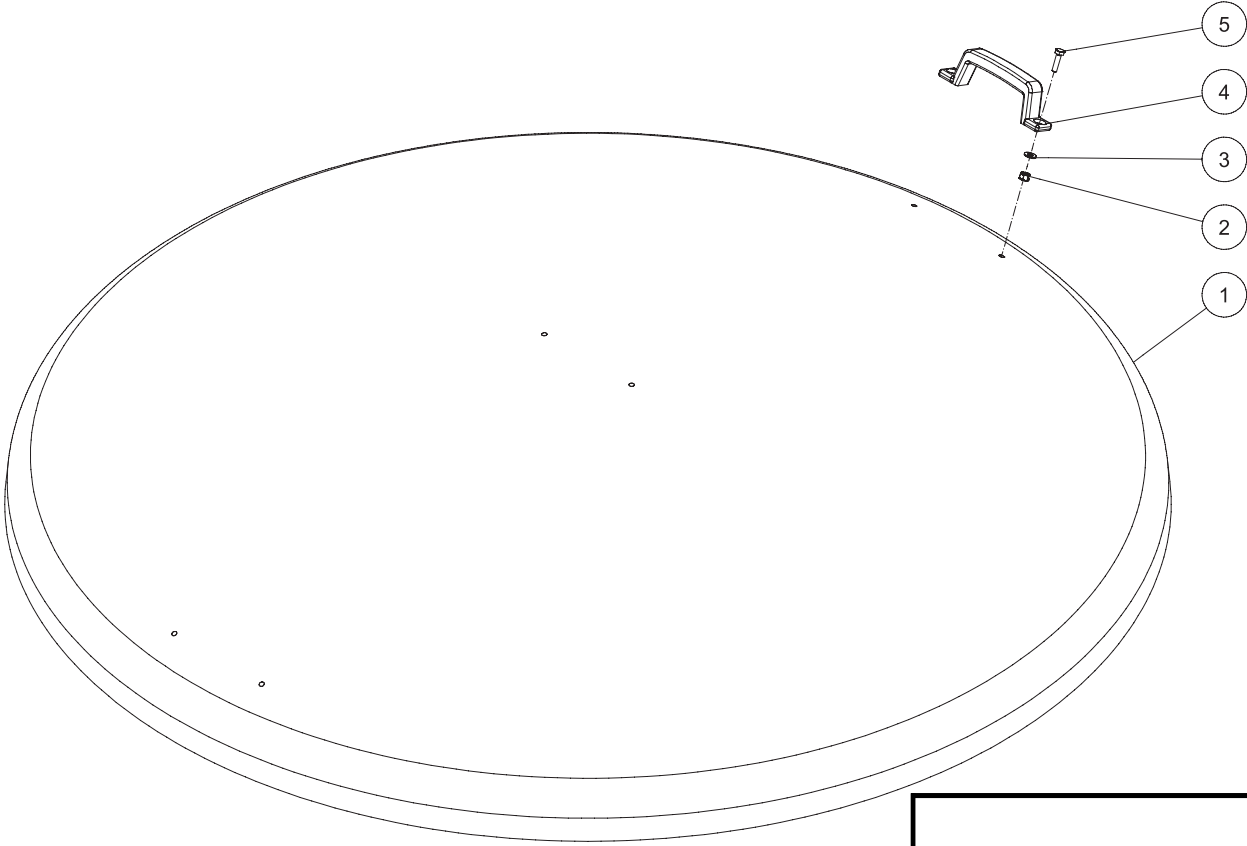
CONE ASSEMBLY

REF. #	DESCRIPTION	PART #	QTY.
1	Adapter	55-1622	2
2	Pipe *(One Foot Required)	55-1600	3
3	Union	55-1645	2
4	Pipe *(Two Feet Required)	55-1600	1
5	Elbow	23-0386	1
6	Ball Check Valve	55-0853	1
7	Reducer	55-1229	1
8	Tee	55-1603	1
9	Tee	55-1601	1
10	Pipe *(Two Feet Required)	55-1600	1
11	Pipe *(Three Feet Required)	55-1600	1
12	Pipe *(One Foot Required)	55-1800	12
13	Screw	27-0348	4
14	Coalescing Cone	33-0297	1
15	Coalescing Cone	33-0331	9
16	Cone-Plain	33-0334	1
17	Pipe *(One Foot Required)	55-1800	1
18	Tee	55-1801	1
19	Plug	39-0120	32

*Must Order in One Foot Lengths

CONE ASSEMBLY-WCL-30D-0M10 110606-PJH

LID ASSEMBLY



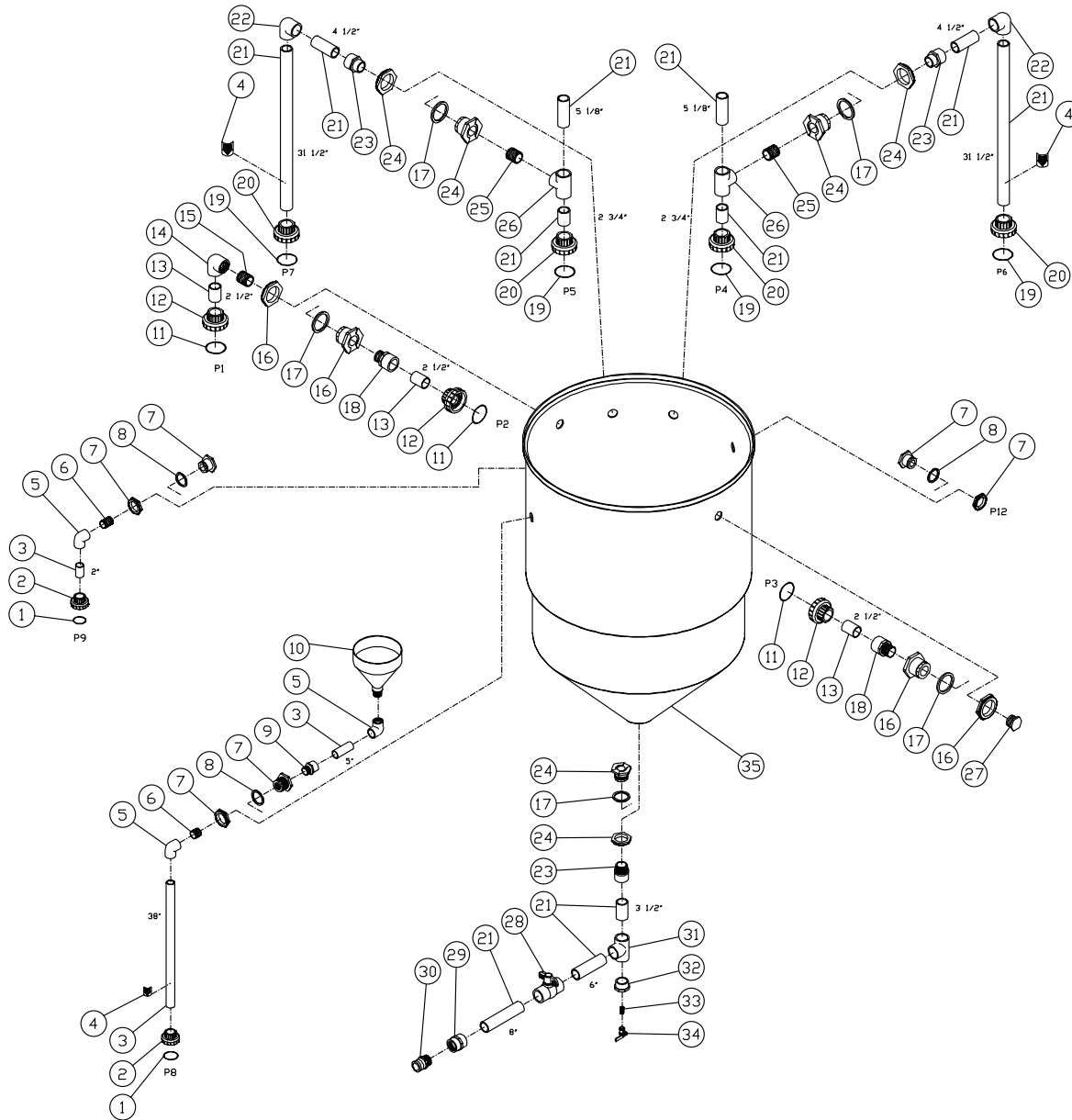
LID ASSEMBLY-WCL-30D-0M10-PJH

LID ASSEMBLY			
REF. #	DESCRIPTION	PART #	QTY.
1	Lid	N/A	1
2	Locknut	30-5155	6
3	Washer	28-0121	6
4	Handle	7-0164	3
5	Bolt	27-8962	6

LID ASSEMBLY-WCL-30D-0M10-PJH

NOTES

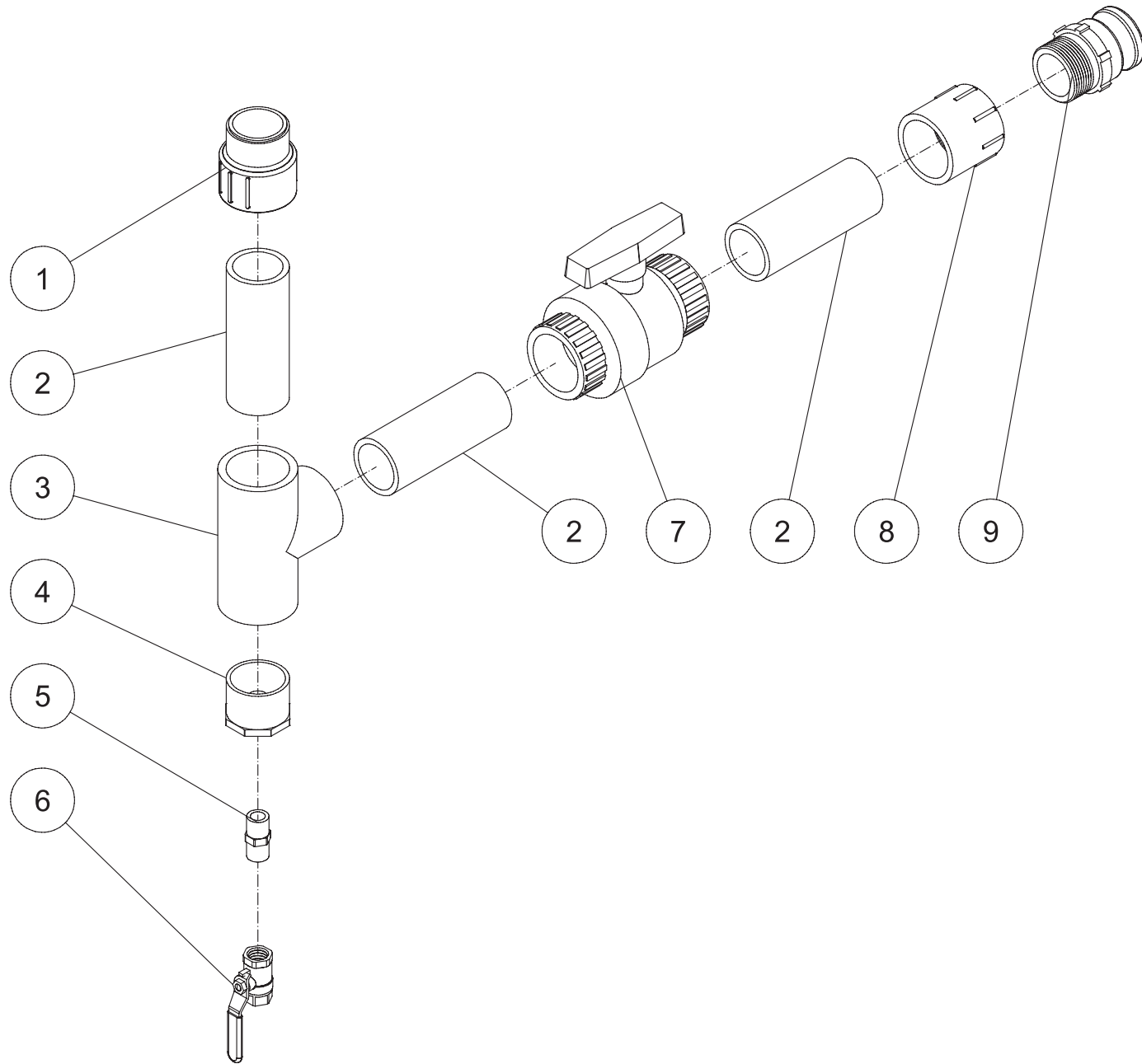
TANK ASSEMBLY (BEFORE SERIAL #30000296)



WCL-0009-032200-WKB

TANK ASSEMBLY								
REF. #	DESCRIPTION	PART #	QTY.		REF. #	DESCRIPTION	PART #	QTY.
1	O-ring	25-0447	2		19	O-ring	25-0449	4
2	Union (Includes O-ring 25-0447)	55-1245	2		20	Union (Includes O-ring 25-0449)	55-1845	4
3	Pipe *(Varied Feet Required)	55-1200	1		21	Pipe *(Varied Feet Required)	55-1800	1
4	Decal- Black and Yellow Arrow	34-0883	3		22	Elbow	55-1809	2
5	Elbow	55-1210	3		23	Adapter	55-1822	3
6	Nipple	55-1274	2		24	Tank Adapter (Includes Gasket 25-0481)	55-1886	3
7	Tank Adapter (Includes Gasket 25-0482)	55-1286	3		25	Nipple	55-1874	2
8	Gasket	25-0482	3		26	Tee	55-1807	2
9	Adapter	55-1222	1		27	Plug	55-1640	1
10	Funnel	33-0338	1		28	Ball Valve	55-1855	1
11	O-ring	25-0448	3		29	Adapter	55-1821	1
12	Union (Includes O-ring 25-0448)	55-1645	3		30	Adapter	55-0054	1
13	Pipe *(Varied Feet Required)	55-1600	1		31	Tee	55-1801	1
14	Elbow	55-1610	1		32	Reducer	55-1832	1
15	Nipple	55-1674	1		33	Nipple	23-0012	1
16	Tank Adapter (Includes Gasket 25-0481)	55-1686	2		34	Valve	22-0278	1
17	Gasket	25-0481	5		35	Tank w/Lid (600 Gallons)	12-0102	1
18	Adapter	55-1622	2		*Must Order in One Foot Lengths			

MAIN TANK DRAIN ASSEMBLY

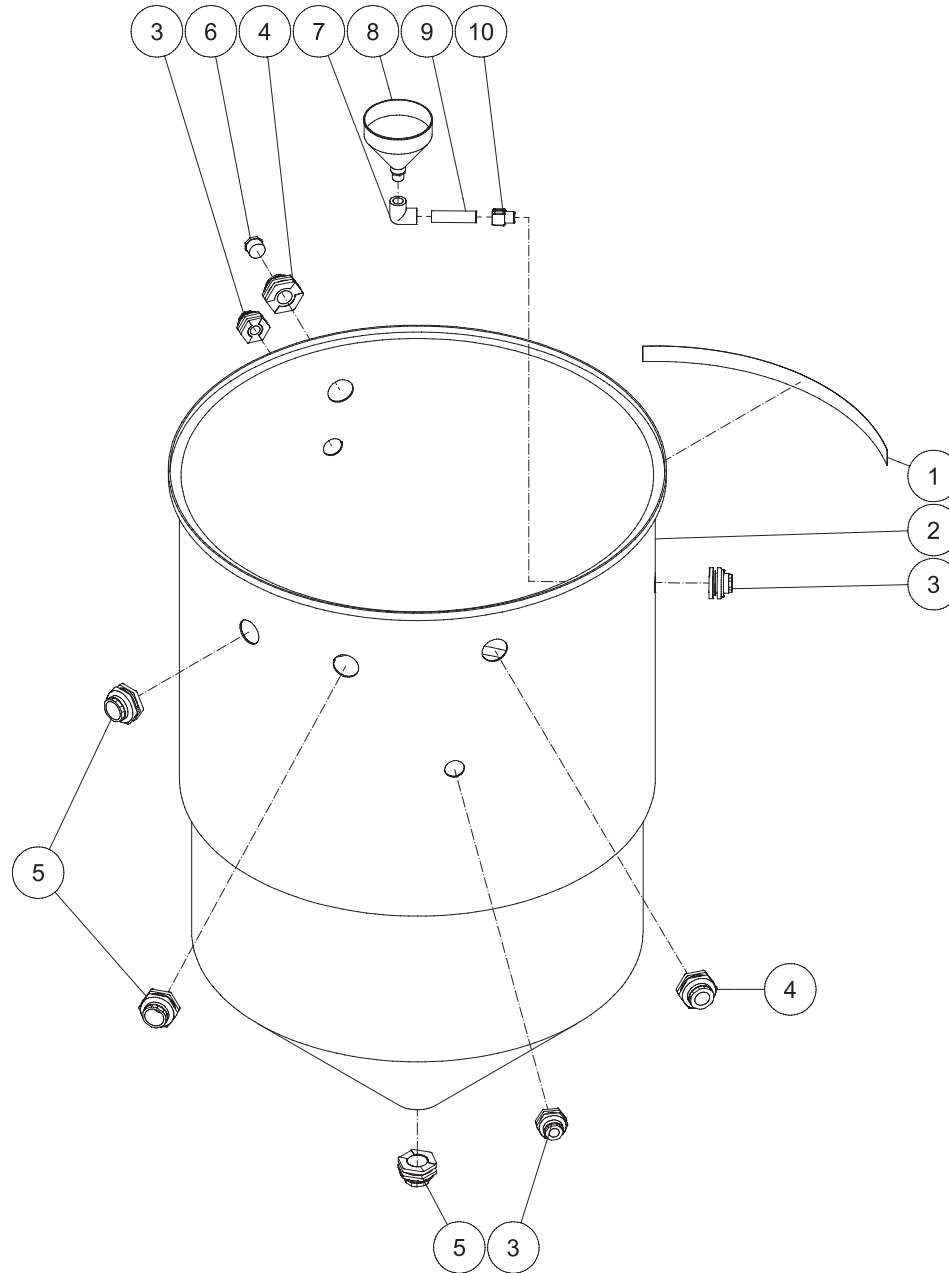


MAIN TANK DRAIN ASSEMBLY-WCL-30D-0M10-PJH

MAIN TANK DRAIN ASSEMBLY-WCL-30D-0M10 120806-PJH

MAIN TANK DRAIN ASSEMBLY			
REF. #	DESCRIPTION	PART #	QTY.
1	Adapter	55-1822	1
2	Pipe *(One Foot Required)	55-1800	3
3	Tee	55-1801	1
4	Reducer	55-1832	1
5	Nipple	23-0012	1
6	Ball Valve	22-0278	1
7	Ball Valve	55-1855	1
8	Adapter	55-1821	1
9	Pipe *(One Foot Required)	55-1200	1
10	Cam and Groove	55-0054	1
*Must Order in One Foot Lengths			

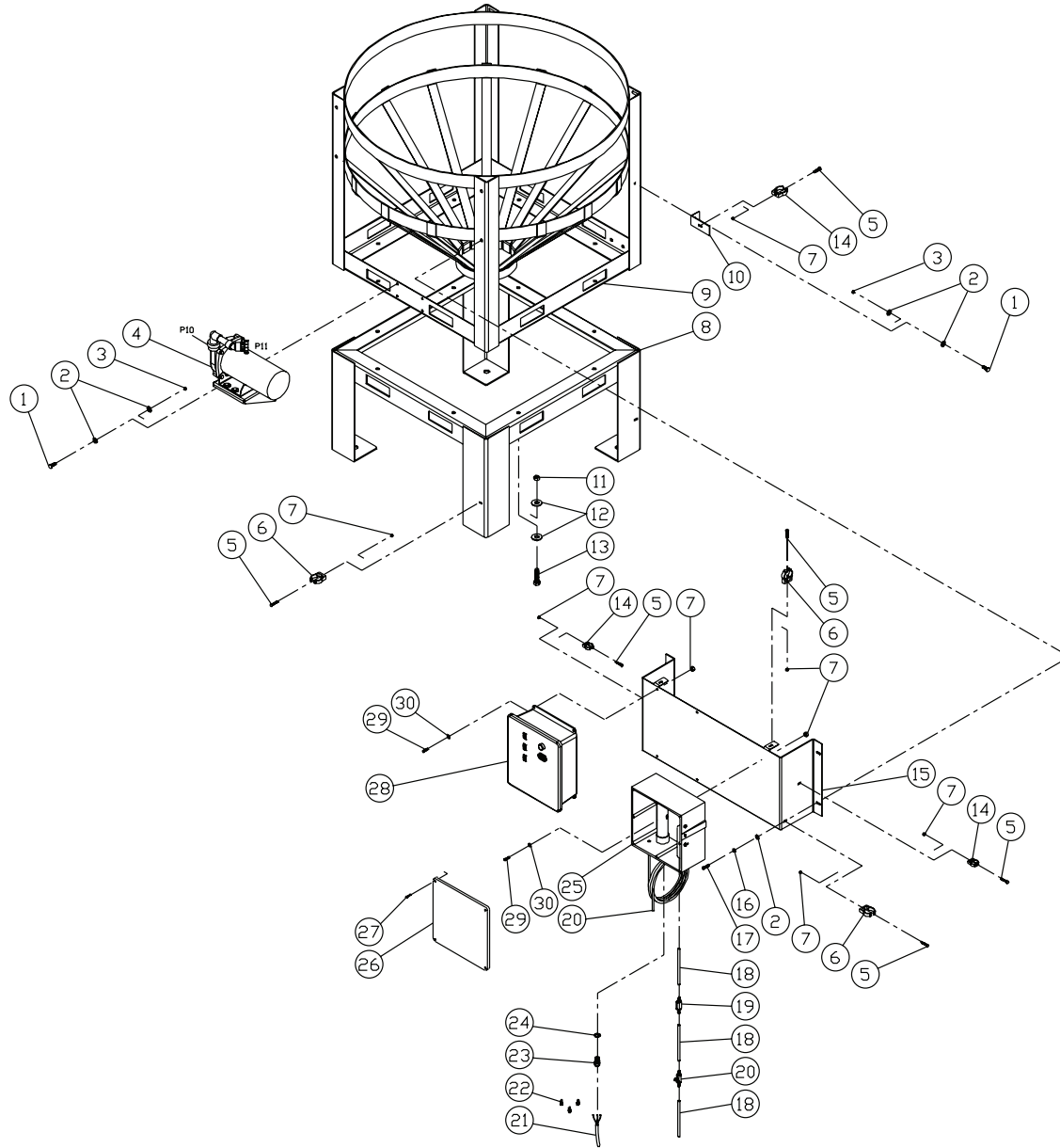
TANK ASSEMBLY (AFTER SERIAL #3000296)



TANK ASSEMBLY-WCL-30D-0M10 120806-PJH

TANK ASSEMBLY			
REF. #	DESCRIPTION	PART #	QTY.
1	Decal-Mi-T-M Stripe	34-0725	1
2	Clarifier Tank	12-0069	1
3	Bulkhead Fitting (Includes O-Ring 25-0482)	55-1286	3
4	Bulkhead Fitting (Includes O-Ring 25-0481)	55-1686	2
5	Bulkhead Fitting (Includes O-Ring 25-0481)	55-1886	3
6	Plug	55-1640	1
7	Elbow	55-1210	1
8	Funnel	33-0338	1
9	Pipe *(One Foot Required)	55-1200	1
10	Adapter	55-1222	1

TANK STAND ASSEMBLY (BEFORE SERIAL #30000296)

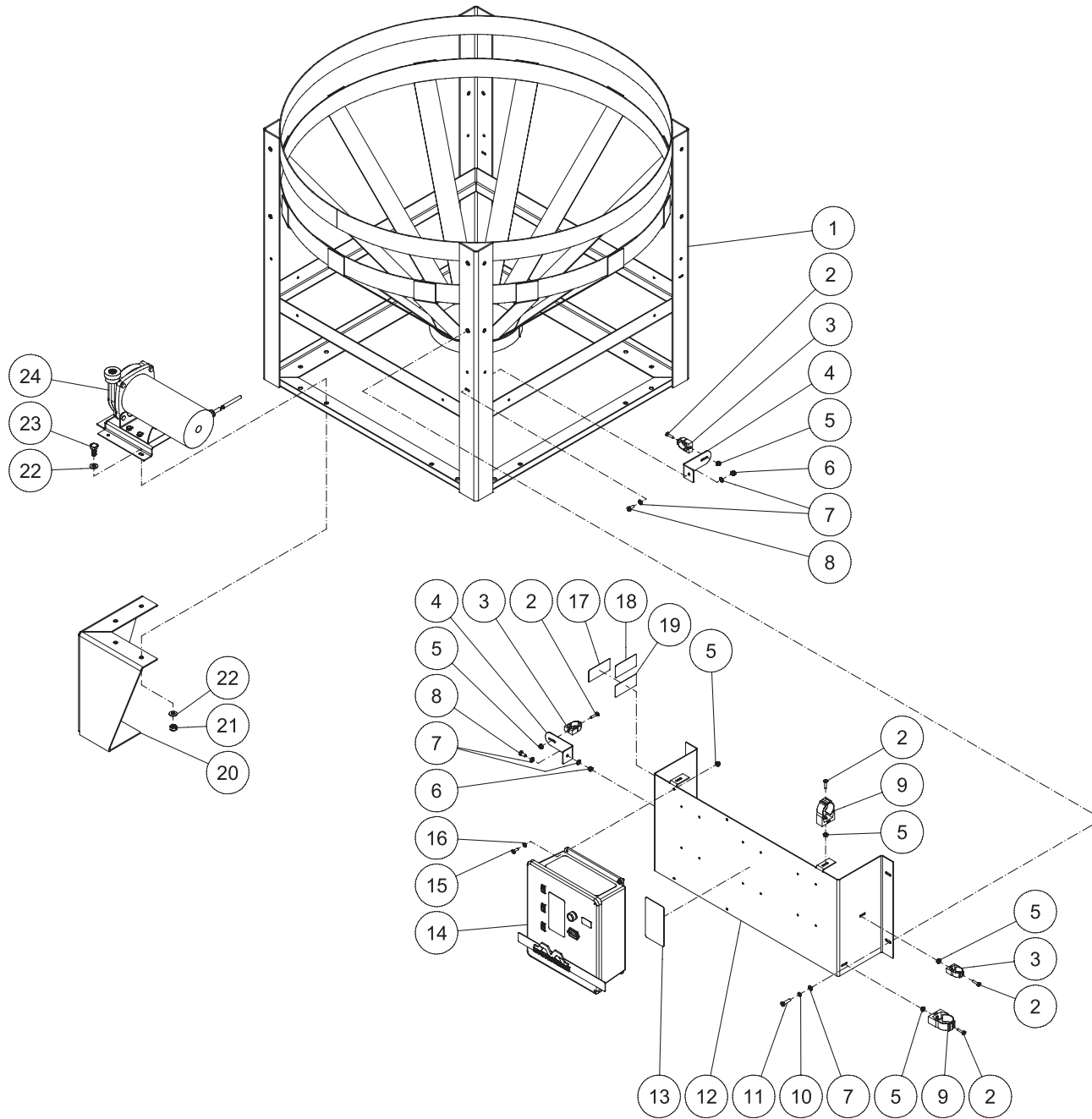


WCL-0019-032200-WKB

TANK STAND ASSEMBLY

REF. #	DESCRIPTION	PART #	QTY.	REF. #	DESCRIPTION	PART #	QTY.
1	Bolt	27-5066	5	17	Bolt	27-8963	4
2	Washer	28-0122	14	18	Detergent Hose *(Nine Feet Required)	15-0021	1
3	Locknut	30-5158	5	19	Check Valve	22-0286	1
4	Ozone Pump Assembly (See Exploded Drawing)	N/A Sep.	1	20	Ball Valve	22-0074	1
5	Bolt	27-5018	7	21	Cord *(Four Feet Required)	32-0074	1
6	Pipe Clamp	42-0026	4	22	Wire Splice	32-0359	3
7	Nut	30-5202	13	23	Strain Relief	32-0437	1
8	Tank Stand Base	20-0512A01	1	24	Locknut	32-0108	1
9	Tank Stand	20-0553A01	1	25	Ozone Generator	32-0531	1
10	Bracket	20-0555A01	1	26	Lid (See 32-0531)	N/A Sep.	1
11	Locknut	30-0163	8	27	Screw (See 32-0531)	N/A Sep.	8
12	Washer	28-0006	16	28	Control Box Assembly (See Exploded Drawing)	N/A Sep.	1
13	Bolt	27-0217	8	29	Bolt	27-5016	6
14	Pipe Clamp	42-0038	3	30	Washer	28-0121	6
15	Control Panel Plate	20-0523A01	1	*Must Order in One Foot Lengths			
16	Lockwasher	29-1007	4				

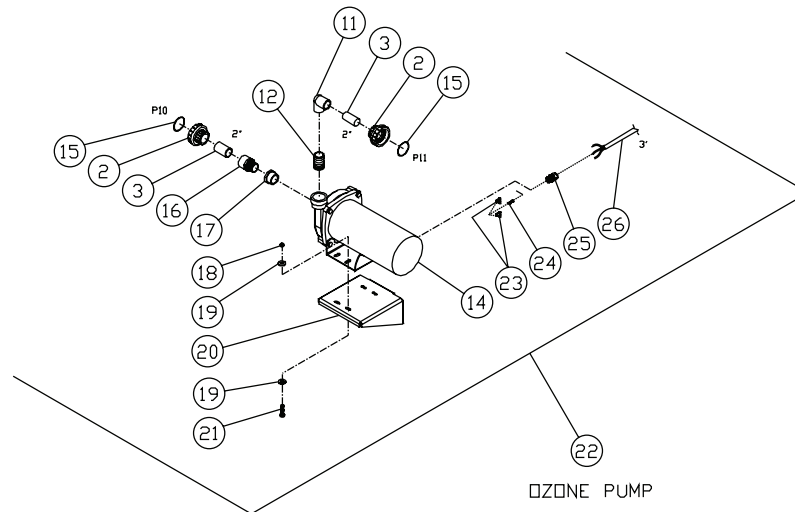
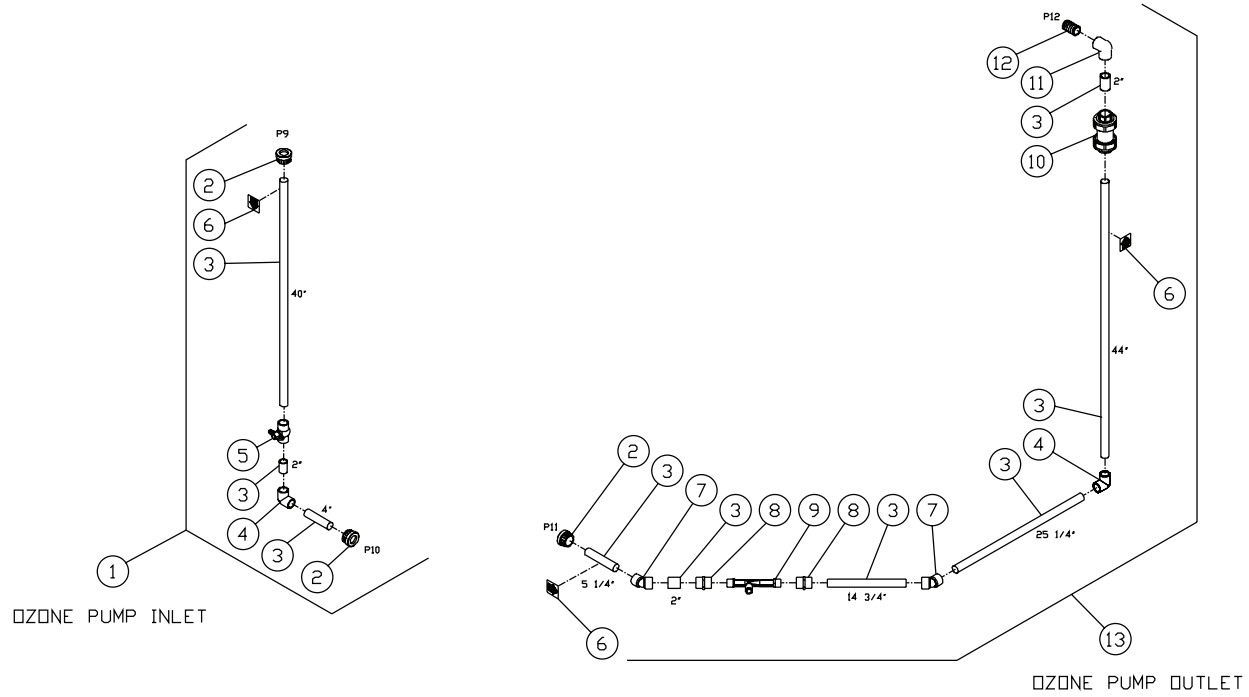
TANK STAND ASSEMBLY (AFTER SERIAL #33000296)



TANK STAND ASSEMBLY WCL-30D-0M10 110606-PJH

TANK STAND ASSEMBLY								
REF. #	DESCRIPTION	PART #	QTY.		REF. #	DESCRIPTION	PART #	QTY.
1	Tank Stand	20-0553A01	1		13	Decal- Warning Risk of Electrocution	34-0884	1
2	Bolt	27-5018	6		14	Control Box Assembly (See Exploded Drawing)	N/A Sep.	1
3	Pipe Clamp	42-0038	3		15	Bolt	27-5016	4
4	Bracket	20-0555A01	2		16	Washer	28-0121	4
5	Nut	30-5202	10		17	Decal- Clear Laminate Serial	34-0210	1
6	Locknut	30-5158	2		18	Decal- Data Plate	N/A	1
7	Washer	28-0122	8		19	Decal- Mi-T-M Spec's	34-0885	1
8	Bolt	27-5066	2		20	Tank Leg Stand	20-0596	4
9	Pipe Clamp	42-0026	3		21	Locknut	30-0163	14
10	Lockwasher	29-1007	4		22	Washer	28-0006	28
11	Bolt	27-8963	4		23	Bolt	27-0217	14
12	Control Panel Plate	20-0523	1		24	Ozone Pump Assembly (See Exploded Drawing)	N/A Sep.	1
*Must Order in One Foot Lengths								

PLUMBING: OZONE ASSEMBLIES (BEFORE SERIAL #30000296)



WCL-0014-0327-WKB

PLUMBING: OZONE ASSEMBLIES

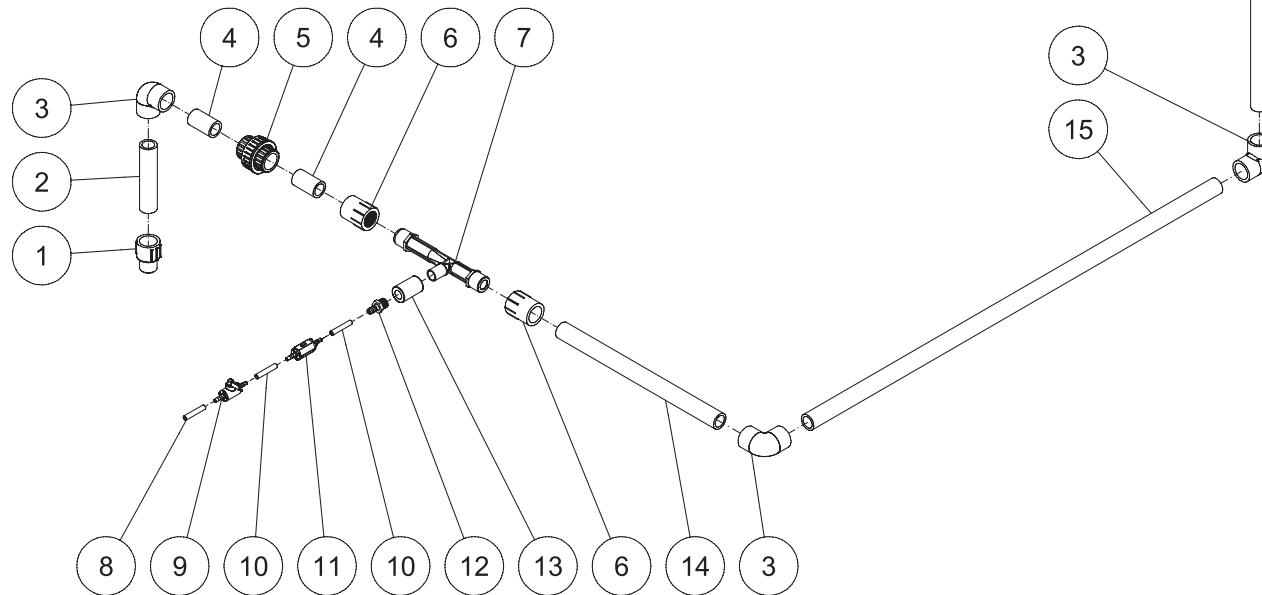
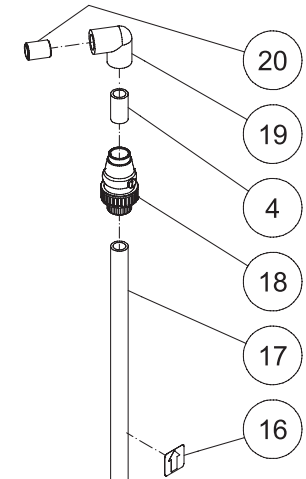
REF. #	DESCRIPTION	PART #	QTY.	REF. #	DESCRIPTION	PART #	QTY.
1	Plumbing: Ozone Pump Inlet (Inc. 2-6)	N/A Sep.	1	15	O-ring	25-0447	2
2	Union (Includes O-ring 25-0447)	55-1245	3	16	Adapter	55-1222	1
3	Pipe *(Varied Feet Required)	55-1200	1	17	Reducer	55-1433	1
4	Elbow	55-1209	2	18	Locknut	30-5158	4
5	Ball Valve	55-1255	1	19	Washer	28-0122	8
6	Decal- Black and Yellow Arrow	34-0883	3	20	Pump Mount Plate	20-0554A01	1
7	Elbow	55-1212	2	21	Bolt	27-5066	4
8	Adapter	55-1221	2	22	Plumbing: Ozone Pump (Inc. 2, 3, 11, 12, 14-21, 23-26)	N/A Sep.	1
9	Injector	55-0015	1	23	Terminal Flag	32-0492	2
10	Check Valve	55-1252	1	24	Terminal Fork	32-0003	1
11	Elbow	55-1210	2	25	Strain Relief	32-0437	1
12	Nipple	55-1274	2	26	Cord	32-0074	1
13	Plumbing: Ozone Pump Outlet (Inc. 2-4, 6-12)	N/A Sep.	1	*Must Order in One Foot Lengths			
14	Ozone Pump	3-0199	1				

OZONE OUTLET PLUMBING (AFTER SERIAL #3000296)

OZONE OUTLET PLUMBING-WCL-30D-0M10 110606-PJH

OZONE OUTLET PLUMBING							
REF. #	DESCRIPTION	PART #	QTY.	REF. #	DESCRIPTION	PART #	QTY.
1	Adapter	55-1222	1	11	Check Valve	22-0286	1
2	Pipe *(One Foot Required)	55-1200	1	12	Adapter	55-0023	1
3	Elbow	55-1209	1	13	Coupler	55-0815	1
4	Pipe *(One Foot Required)	55-1200	3	14	Pipe *(Two Feet Required)	55-1200	1
5	Union	55-1245	1	15	Pipe *(Four Feet Required)	55-1200	1
6	Adapter	55-1221	2	16	Decal- Arrow	34-0883	1
7	Mazzei Injector	55-0015	1	17	Pipe *(Five Feet Required)	55-1200	1
8	Hose *(Four Feet Required)	15-0226	3	18	Ball Valve	55-1252	1
9	Hose Barb	22-0074	1	19	Elbow	55-1210	2
10	Hose *(One Foot Required)	15-0226	2	20	Nipple	55-1274	1

*Must Order In One Foot Length

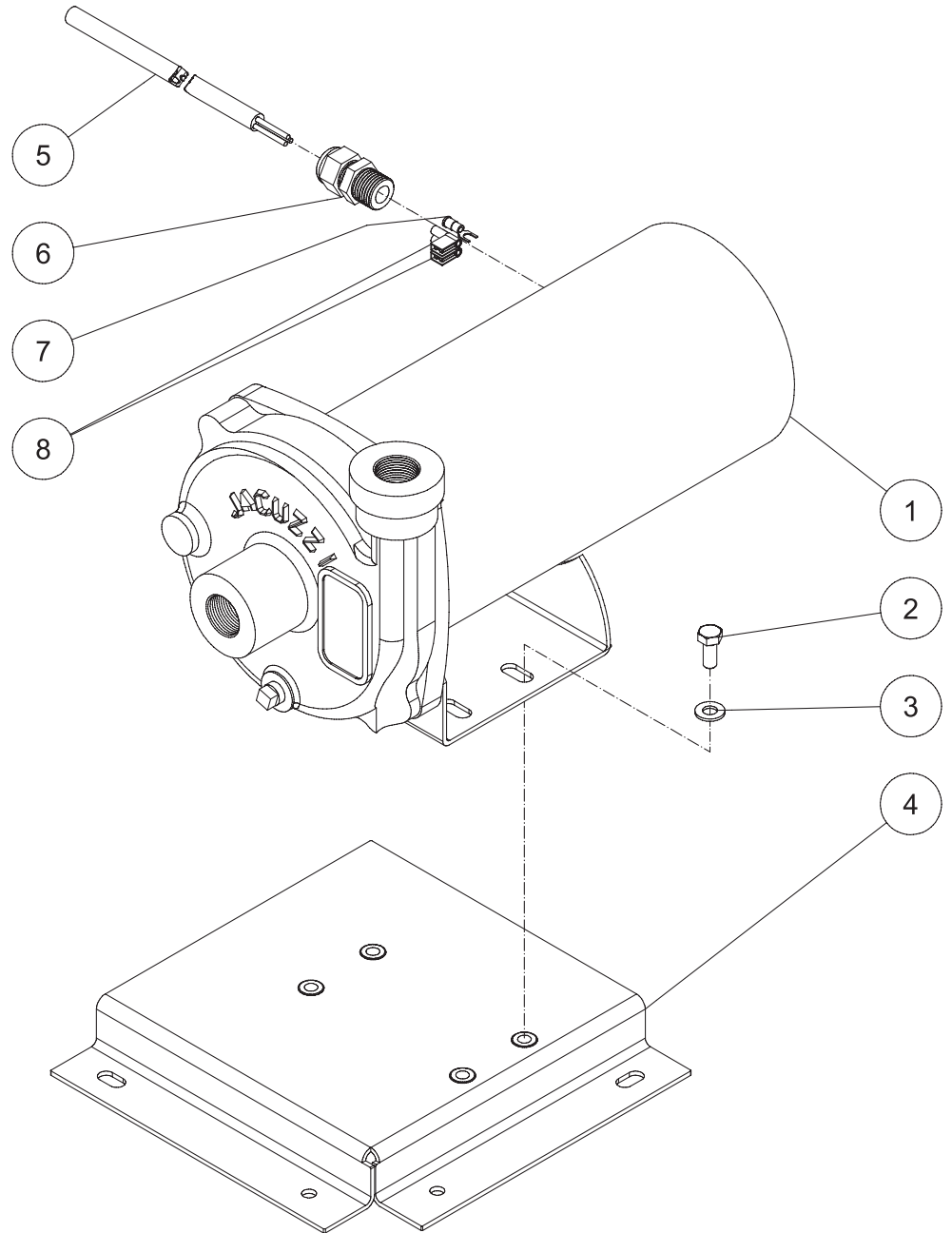


OZONE OUTLET PLUMBING-WCL-30D-0M10 110606-PJH

OZONE PUMP ASSEMBLY (AFTER SERIAL #3000296)

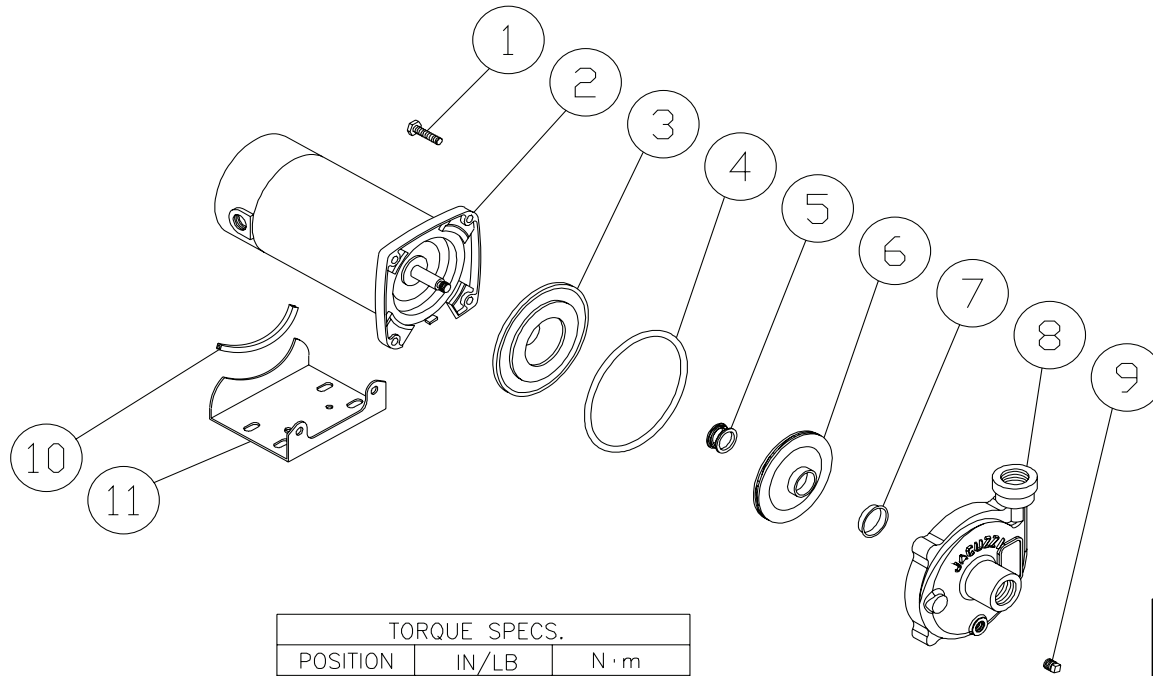
OZONE PUMP ASSEMBLY-WCL-30D-0M10 110606-PJH

OZONE PUMP ASSEMBLY			
REF. #	DESCRIPTION	PART #	QTY.
1	Pump	3-0199	1
2	Bolt	27-5066	4
3	Washer	28-0122	4
4	Mount Plate	20-0522A01	1
5	Cord *(Six Feet Required)	32-0074	1
6	Strain Relief	32-0437	1
7	Terminal	32-0003	1
8	Terminal	32-0492	2



OZONE PUMP ASSEMBLY-WCL-30D-0M10 110606-PJH

OZONE PUMP (3-0199)



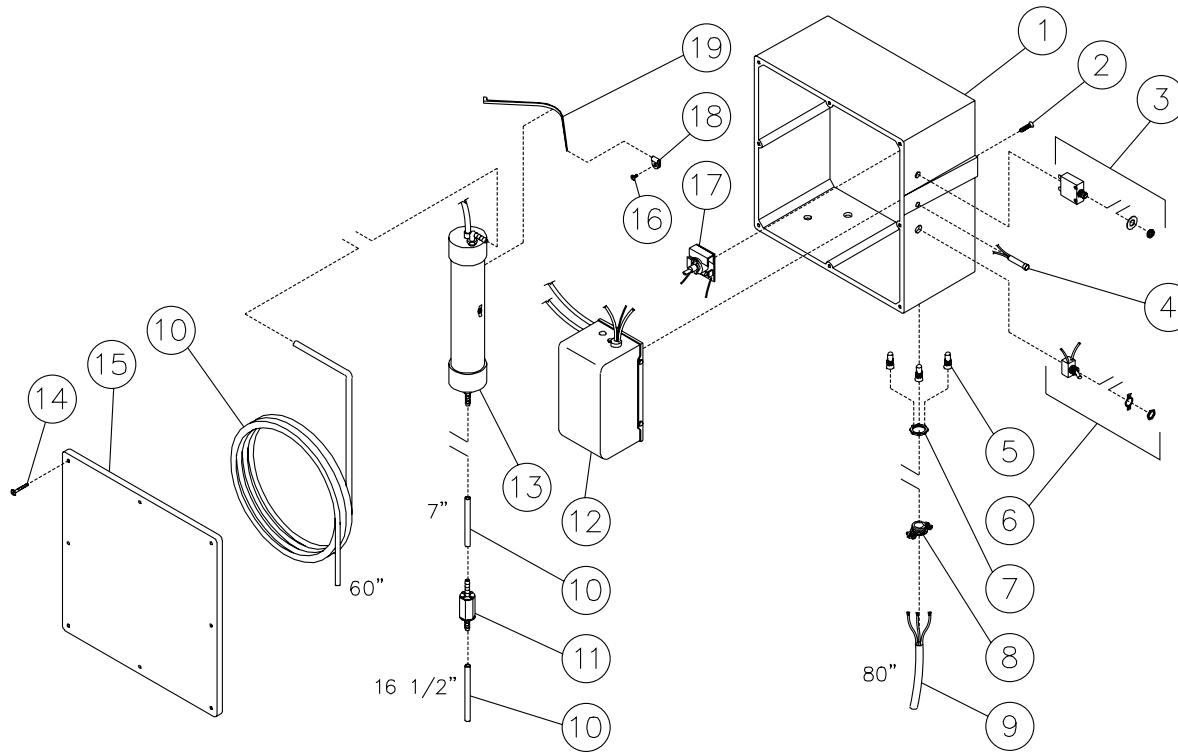
TORQUE SPECS.		
POSITION	IN/LB	N · m
1	150-160	16.9-18.0

3-0199-061099-JTR

RECIRCULATING PUMP (3-0199)			
REF. #	DESCRIPTION	PART#	QTY.
1	Bolt	27-0117	4
2	Motor- 1/2 H.P.	N/A	1
3	Seal Plate	26-0237	1
4	Square Ring	25-0479	1
5	Mechanical Seal	26-0215	1
6	Impeller	46-0853	1
7	Wear Ring	46-0835	1
8	Pump Head	N/A	1
9	Drain Plug	39-0109	1
10	Motor Pad	33-0320	1
11	Motor Pad Base	5-0144	1
	Complete Recirculating Pump (Inc. 1-11)	3-0199	

OZONE GENERATOR (32-0531) (BEFORE SERIAL #30000296)

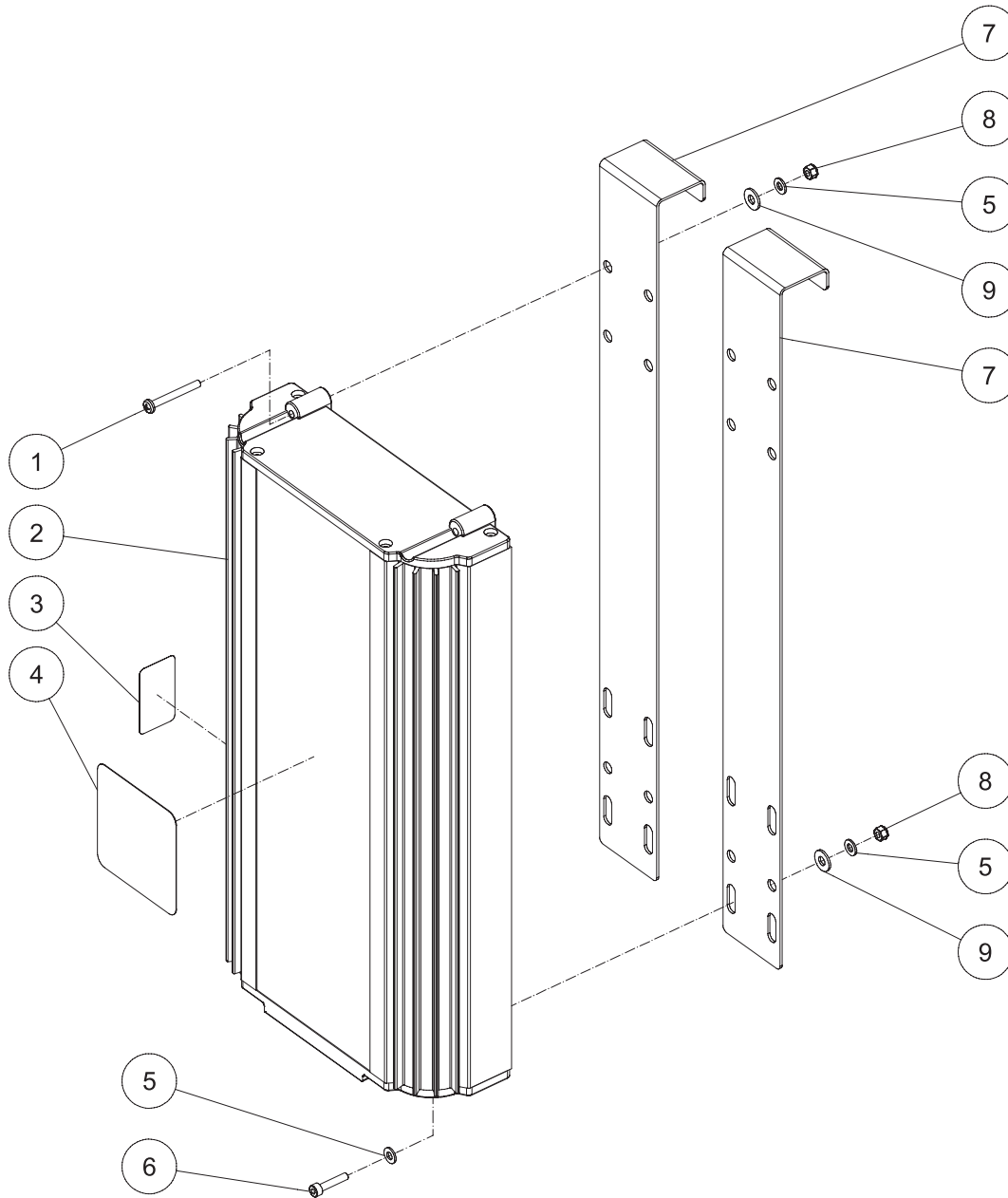
32-0531-032200-WKB



OZONE GENERATOR (32-0531)			
REF. #	DESCRIPTION	PART#	QTY.
1	Control Box	N/A	1
2	Screw	N/A	4
3	Breaker	32-0579	1
4	Light	32-0580	1
5	Connector	32-0359	3
6	Switch	32-0578	1
7	Locknut	32-0108	1
8	Strain Relief	32-0437	1
9	Cord *(Eleven Feet Required)	32-0074	1
10	Hose *(Seven Feet Required)	15-0021	1
11	Check Valve	22-0286	1
12	Transformer	32-0581	1
13	Generator	32-0637	1
14	Screw	N/A	8
15	Control Cover	N/A	1
16	Screw	N/A	2
17	Transformer Control	32-0636	1
18	Hold-Down	N/A	2
19	Cable Tie	33-0022	2
*Must Order in One Foot Lengths			

32-0531-032200-WKB

OZONE GENERATOR ASSEMBLY (32-0861) (AFTER SERIAL #3000296)

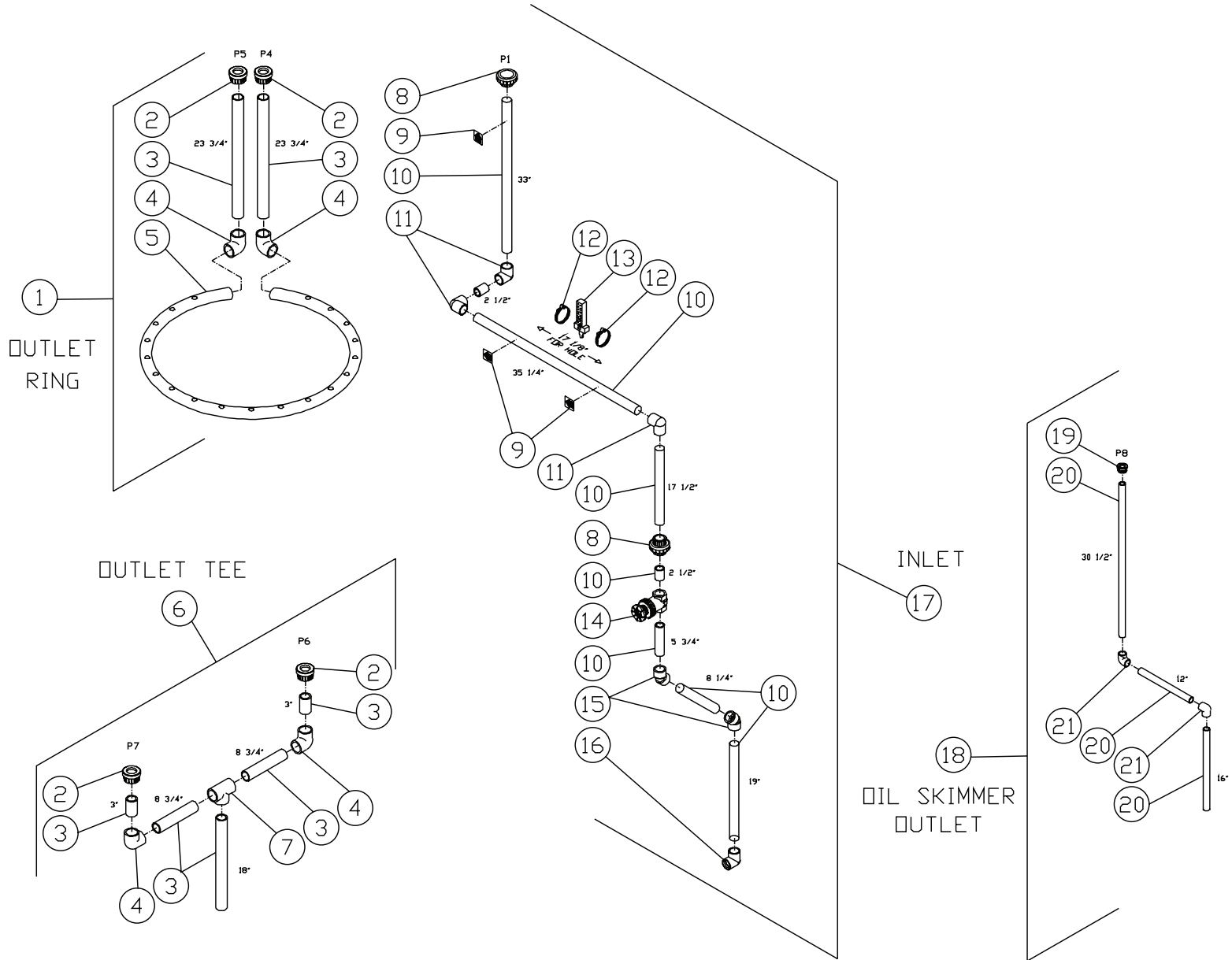


OZONE GENERATOR ASSY-WCL-30D-0M10 120806-PJH

OZONE GENERATOR (32-0861)			
REF. #	DESCRIPTION	PART#	QTY.
1	Screw	27-5032	2
2	Ozone Generator	32-0861	1
3	Decal- Air Inlet/Ozone Outlet	34-1633	1
4	Decal- Warning Inhalation	34-1602	1
5	Washer	28-0010	6
6	Bolt	27-8930	2
7	Hanger Bracket	21-0177	2
8	Locknut	30-8152	4
9	Washer	28-0120	4

OZONE GENERATOR ASSEMBLY-WCL-30D-0M10

PLUMBING ASSEMBLIES (BEFORE SERIAL #30000296)



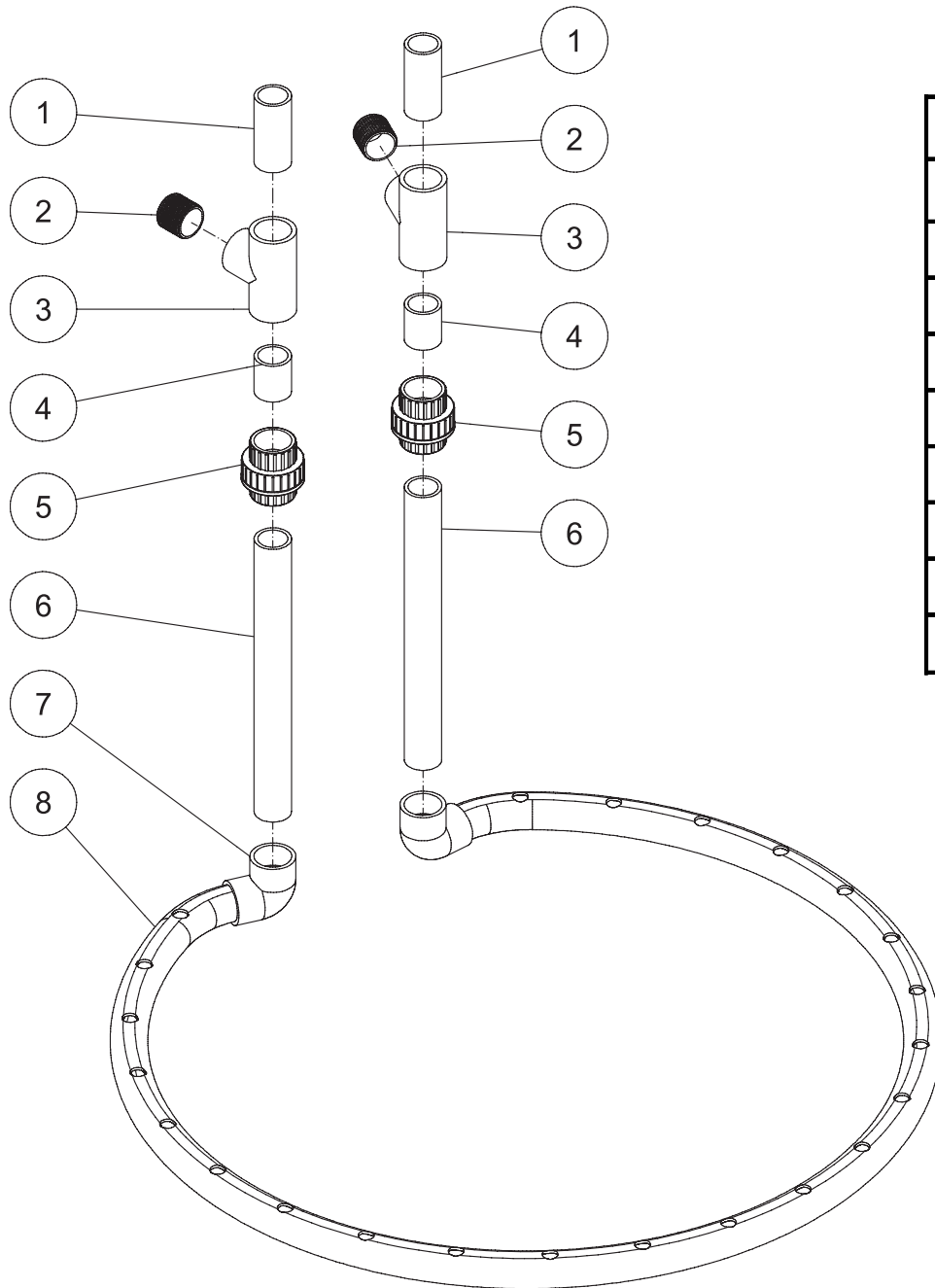
WCL-0013-032200-WKB

PLUMBING ASSEMBLIES

REF. #	DESCRIPTION	PART #	QTY.	REF. #	DESCRIPTION	PART #	QTY.
1	Plumbing: Outlet Ring (Includes 2-5)	N/A Sep.	1	12	Hose Clamp	42-0027	2
2	Union (Includes O-ring 25-0449)	55-1845	4	13	Flow Meter (Inc. Hose Clamp 42-0027)	55-0016	1
3	Pipe *(Varied Feet Required)	55-1800	1	14	Gate Valve	55-1671	1
4	Elbow	55-1809	4	15	Elbow	55-1612	2
5	Flex Pipe	55-0062	1	16	Elbow	55-1610	1
6	Plumbing: Outlet Tee (Includes 2-4, 7)	N/A Sep.	1	17	Plumbing: Inlet (Includes 8-16)	N/A Sep.	1
7	Tee	55-1801	1	18	Plumbing: Oil Skimmer Outlet (Includes 19-21)	N/A Sep.	1
8	Union (Includes O-ring 25-0448)	55-1645	2	19	Union (Includes O-ring 25-0447)	55-1245	1
9	Decal- Black and Yellow Arrow	34-0883	3	20	Pipe *(Varied Feet Required)	55-1200	1
10	Pipe *(Varied Feet Required)	55-1600	1	21	Elbow	55-1209	2
11	Elbow	55-1609	3	*Must Order in One Foot Lengths			

OUTLET RING (AFTER SERIAL #30000296)

OUTLET RING ASSEMBLY-WCL-30D-0M10 110606-PJH

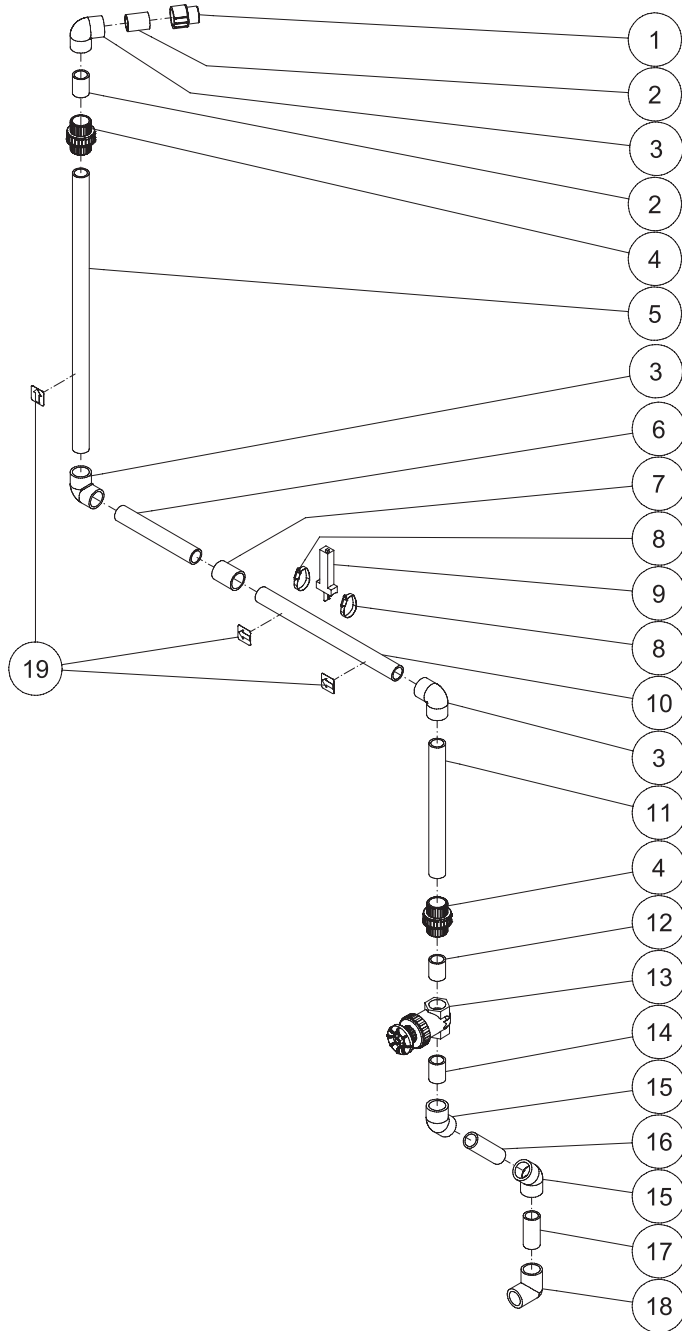


OUTLET RING ASSEMBLY			
REF. #	DESCRIPTION	PART #	QTY.
1	Pipe *(One Foot Required)	55-1800	2
2	Nipple	55-1874	2
3	Tee	55-1807	2
4	Pipe *(One Foot Required)	55-1800	2
5	Union	55-1845	2
6	Pipe *(Two Feet Required)	55-1800	2
7	Elbow	55-1809	2
8	Flex Pipe	55-0062	1

OUTLET RING ASSEMBLY-WCL-30D-0M10 110606-PJH

INLET PLUMBING (AFTER SERIAL #3000296)

INLET PLUMBING-WCL-30D-0M10 110606-PJH

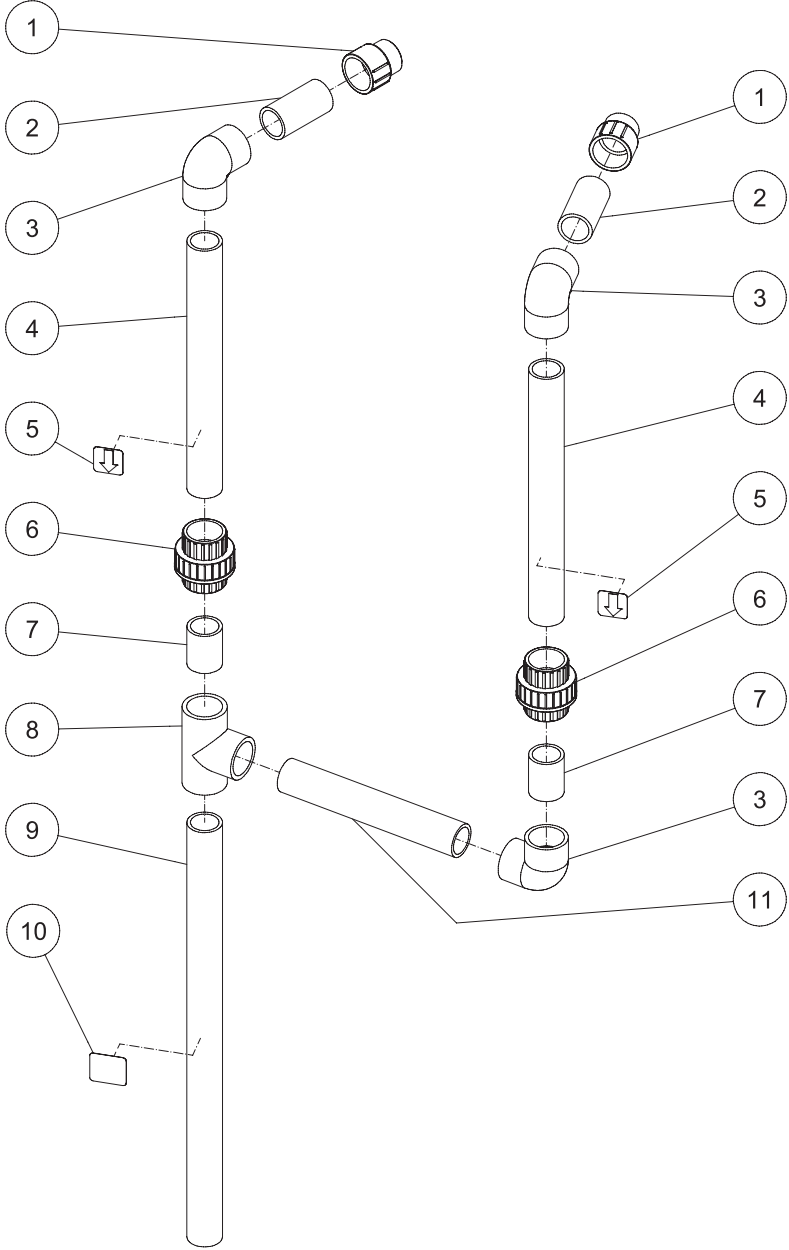


INLET PLUMBING			
REF. #	DESCRIPTION	PART #	QTY.
1	Adapter	55-1622	1
2	Pipe *(One Foot Required)	55-1600	2
3	Elbow	55-1609	3
4	Union	55-1645	2
5	Pipe *(Four Feet Required)	55-1600	1
6	Pipe *(One Foot Required)	55-1685	1
7	Coupler	55-1614	1
8	Clamp	42-0027	2
9	Meter	55-0016	1
10	Pipe *(Two Feet Required)	55-1600	1
11	Pipe *(Two Feet Required)	55-1600	1
12	Pipe *(One Foot Required)	55-1600	1
13	Valve	55-1671	1
14	Pipe *(One Foot Required)	55-1600	1
15	Elbow	55-1612	2
16	Pipe *(One Foot Required)	55-1600	1
17	Pipe *(One Foot Required)	55-1600	1
18	Elbow	55-1610	1
19	Decal- Arrow	34-0883	3

INLET PLUMBING-WCL-30D-0M10 110606-PJH

OUTLET PLUMBING (AFTER SERIAL #30000296)

OUTLET PLUMBING-WCL-30D-0M10 110606-PJH

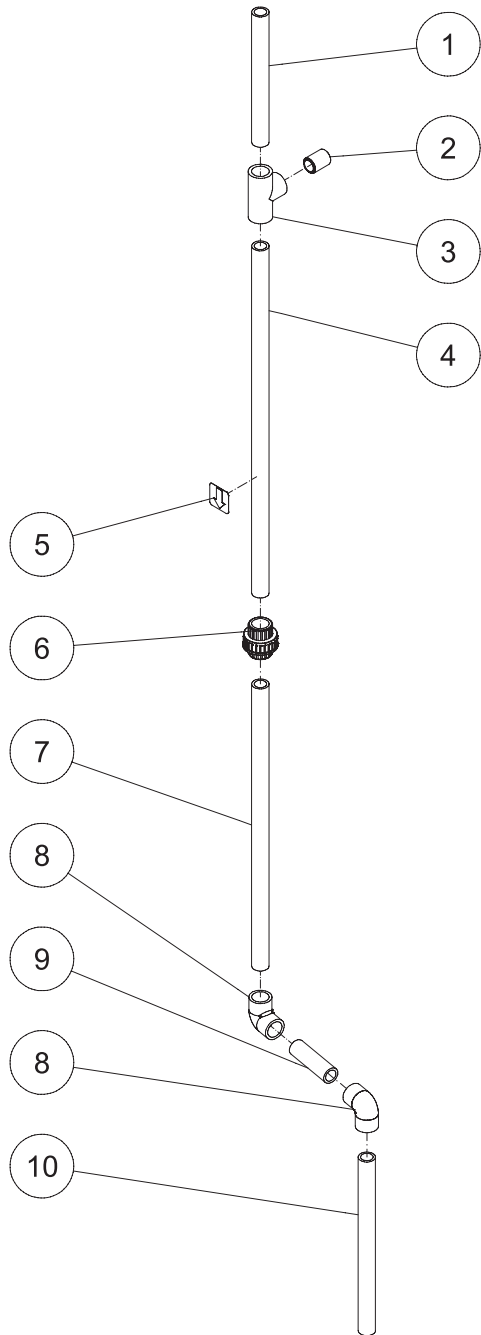


OUTLET PLUMBING			
REF. #	DESCRIPTION	PART #	QTY.
1	Adapter	55-1822	2
2	Pipe *(One Foot Required)	55-1800	2
3	Elbow	55-1809	3
4	Pipe *(Two Feet Required)	55-1800	2
5	Decal- Arrow	34-0883	2
6	Union	55-1845	2
7	Pipe *(One Foot Required)	55-1800	2
8	Tee	55-1801	1
9	Pipe *(Four Feet Required)	55-1800	1
10	Decal- Outlet	34-0891	1
11	Pipe *(Three Feet Required)	55-1800	1

OUTLET PLUMBING-WCL-30D-0M10 110606-PJH

OIL SKIMMER OUTLET (AFTER SERIAL #30000296)

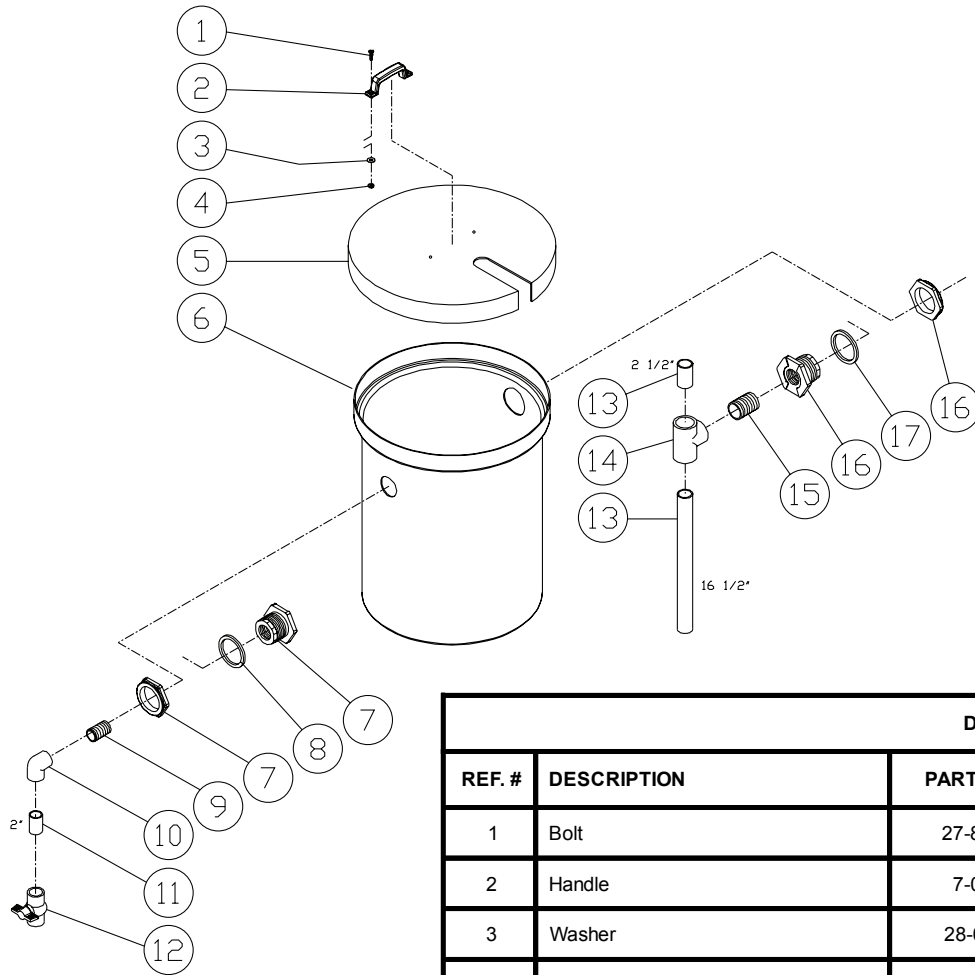
OIL SKIMMER OUTLET-WCL-30D-0M10 110606-PJH



OIL SKIMMER OUTLET			
REF. #	DESCRIPTION	PART #	QTY.
1	Pipe *(One Foot Required)	55-1200	1
2	Nipple	55-1274	1
3	Tee	55-1207	1
4	Pipe *(Three Feet Required)	55-1200	1
5	Decal- Arrow	34-0883	1
6	Union	55-1245	1
7	Pipe *(Five Feet Required)	55-1200	1
8	Elbow	55-1209	2
9	Pipe *(One Foot Required)	55-1200	1
10	Pipe *(Two Feet Required)	55-1200	1

OIL SKIMMER OUTLET-WCL-30D-0M10 110606-PJH

DECANTER TANK ASSEMBLY (855-0014)



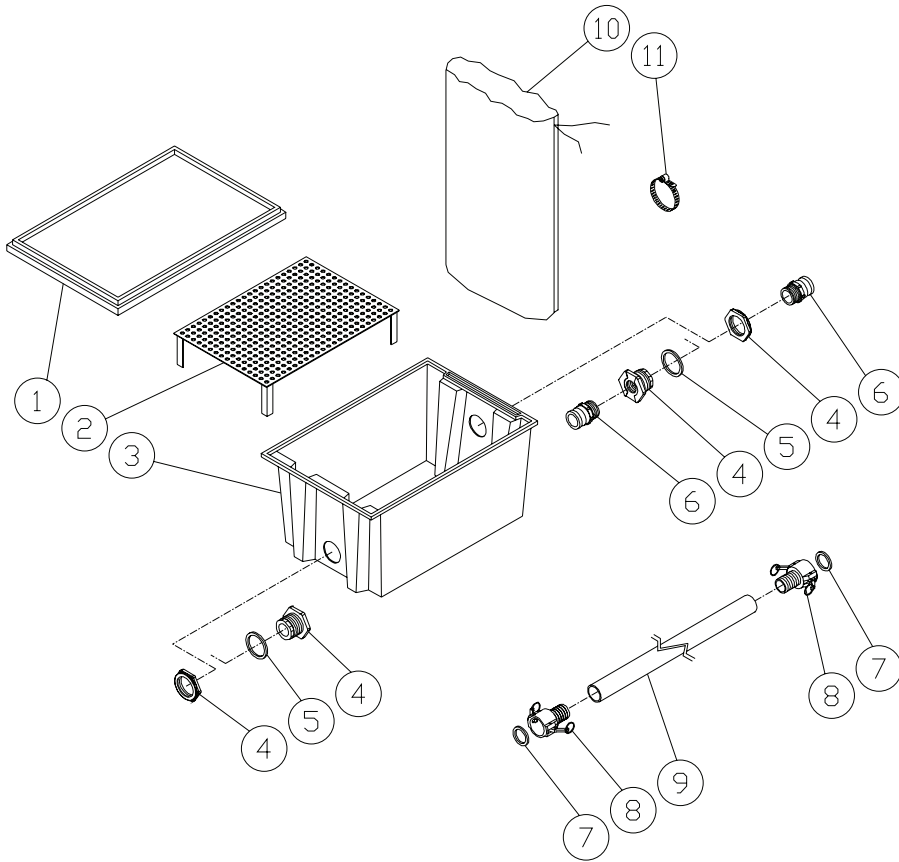
855-0014-030700-WKB

DECANTER TANK ASSEMBLY (855-0014)								
REF. #	DESCRIPTION	PART #	QTY.		REF. #	DESCRIPTION	PART #	QTY.
1	Bolt	27-8932	2		10	Elbow	55-1210	1
2	Handle	7-0164	1		11	Pipe *(Varied Feet Required)	55-1200	1
3	Washer	28-0121	2		12	Ball Valve	55-1255	1
4	Locknut	30-5155	2		13	Pipe *(Varied Feet Required)	55-1600	1
5	Lid	12-0112	1		14	Tee	55-1607	1
6	Tank (25 Gallons)	12-0107	1		15	Nipple	55-1674	1
7	Bulkhead (Includes Gasket 25-0482)	55-1286	1		16	Bulkhead (Includes Gasket 25-0481)	55-1686	1
8	Gasket	25-0482	1		17	Gasket	25-0481	1
9	Nipple	55-1274	1		*Must Order in One Foot Lengths			

855-0014-032200-WKB

SLUDGE BOX ASSEMBLY (855-0017)

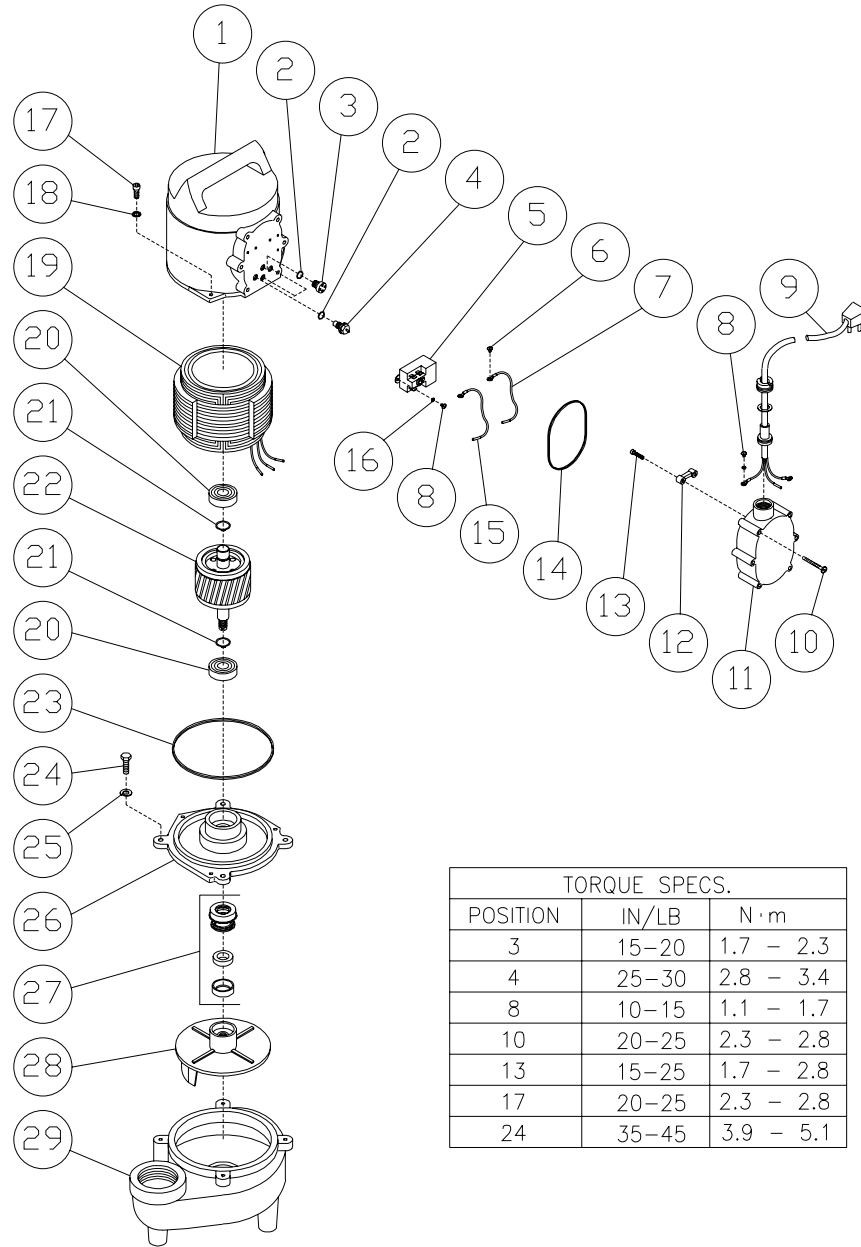
855-0017-040700-WKB



SLUDGE BOX ASSEMBLY (855-0017)			
REF. #	DESCRIPTION	PART #	QTY.
1	Lid	33-0341	1
2	Riser Plate	21-0126	1
3	Sludge Box	33-0344	1
4	Bulkhead (Includes Gasket 25-0481)	55-1886	2
5	Gasket	25-0481	2
6	Adapter	55-0054	2
7	Gasket	25-0476	2
8	Coupler (Includes Gasket 25-0476)	55-0055	2
9	Hose *(Ten Feet Required)	15-0213	1
10	Filter Bag	41-0190	5
11	Hose Clamp	42-0027	1
	Complete Sludge Box (Inc. 1-11)	855-0017	
*Must Order in One Foot Lengths			

855-0017-032200-WKB

SUMP PUMP (3-0180) (BEFORE SERIAL #30000296)

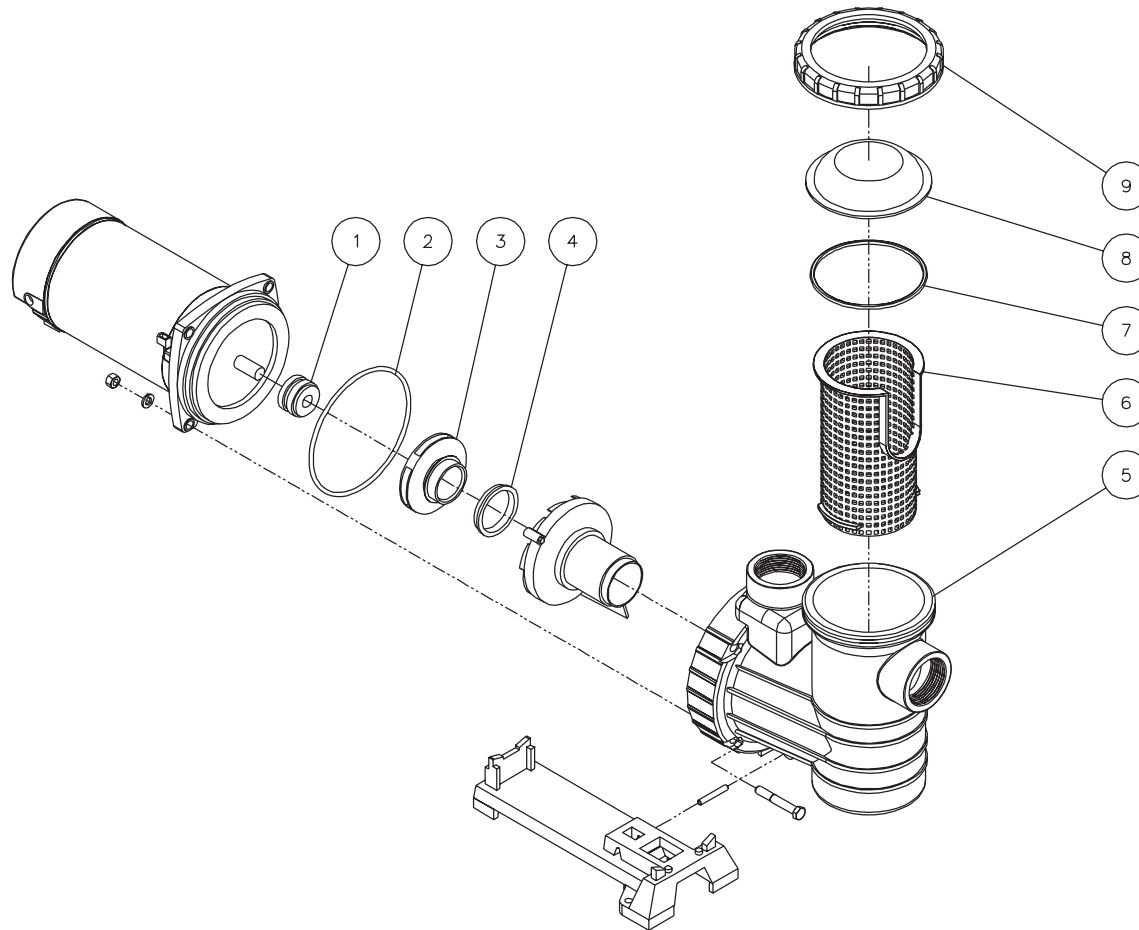


TORQUE SPECS.		
POSITION	IN/LB	N · m
3	15-20	1.7 - 2.3
4	25-30	2.8 - 3.4
8	10-15	1.1 - 1.7
10	20-25	2.3 - 2.8
13	15-25	1.7 - 2.8
17	20-25	2.3 - 2.8
24	35-45	3.9 - 5.1

3-0180-020299-JJ

SUMP PUMP (3-0180)							
REF. #	DESCRIPTION	PART#	QTY.	REF. #	DESCRIPTION	PART#	QTY.
1	Motor Housing	N/A	1	16	Lockwasher	29-0107	3
2	O-ring	25-0456	4	17	Screw	27-5020	3
3	Plug	39-0111	1	18	Lockwasher	29-1008	3
4	Terminal	32-0588	3	19	Stator	N/A	1
5	Relay	32-0589	1	20	Bearing	48-0070	2
6	Screw	27-8940	3	21	Retaining Ring	N/A	2
7	Wire	32-0590	1	22	Rotor	52-0052	1
8	Screw	27-2044	3	23	Seal	25-0458	1
9	Power Cord	32-0591	1	24	Bolt	27-5021	4
10	Screw	27-5019	6	25	Lockwasher	29-1006	4
11	Relay Housing	46-0832	1	26	Plate	46-0833	1
12	Clamp	32-0592	1	27	Seal	26-0219	1
13	Screw	27-8941	2	28	Impeller	46-0831	1
14	Seal	25-0457	1	29	Volute	46-0841	1
15	Wire	32-0593	1				

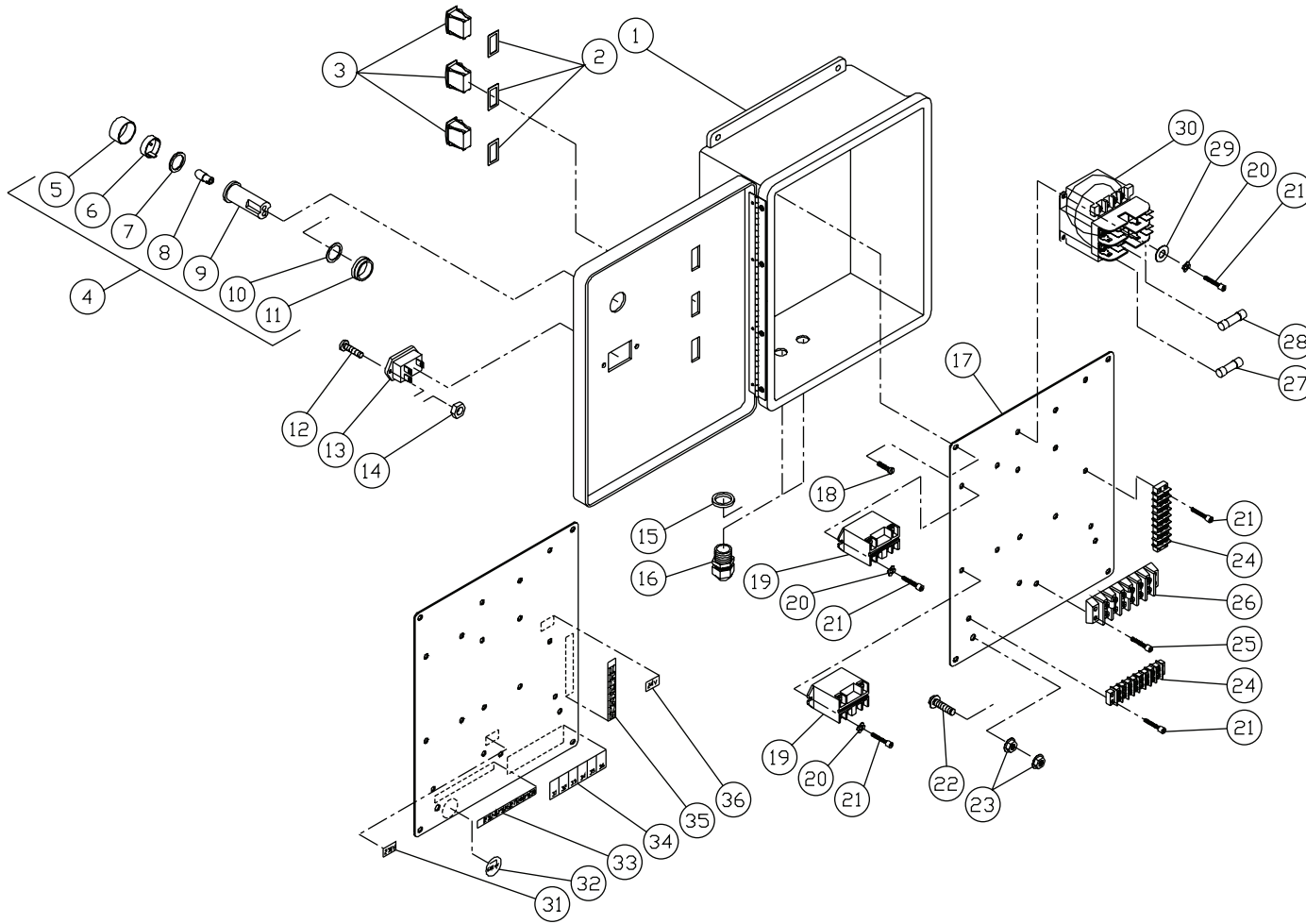
PUMP STRAINER BASKET (AFTER SERIAL #30000296)



3-0214-062501-KS

SUMP PUMP (3-0214)			
REF. #	DESCRIPTION	PART #	QTY.
1	Mechanical Seal	26-0215	1
2	O-ring	25-0522	1
3	Impeller	46-1030	1
4	Eye Seal	26-0217	1
5	Case w/Plugs	46-1029	1
6	Strainer Basket	46-1028	1
7	O-ring	25-0521	1
8	Strainer Cover	46-1027	1
9	Strainer Ringlok	46-1026	1
	Complete Sump Pump	3-0214	

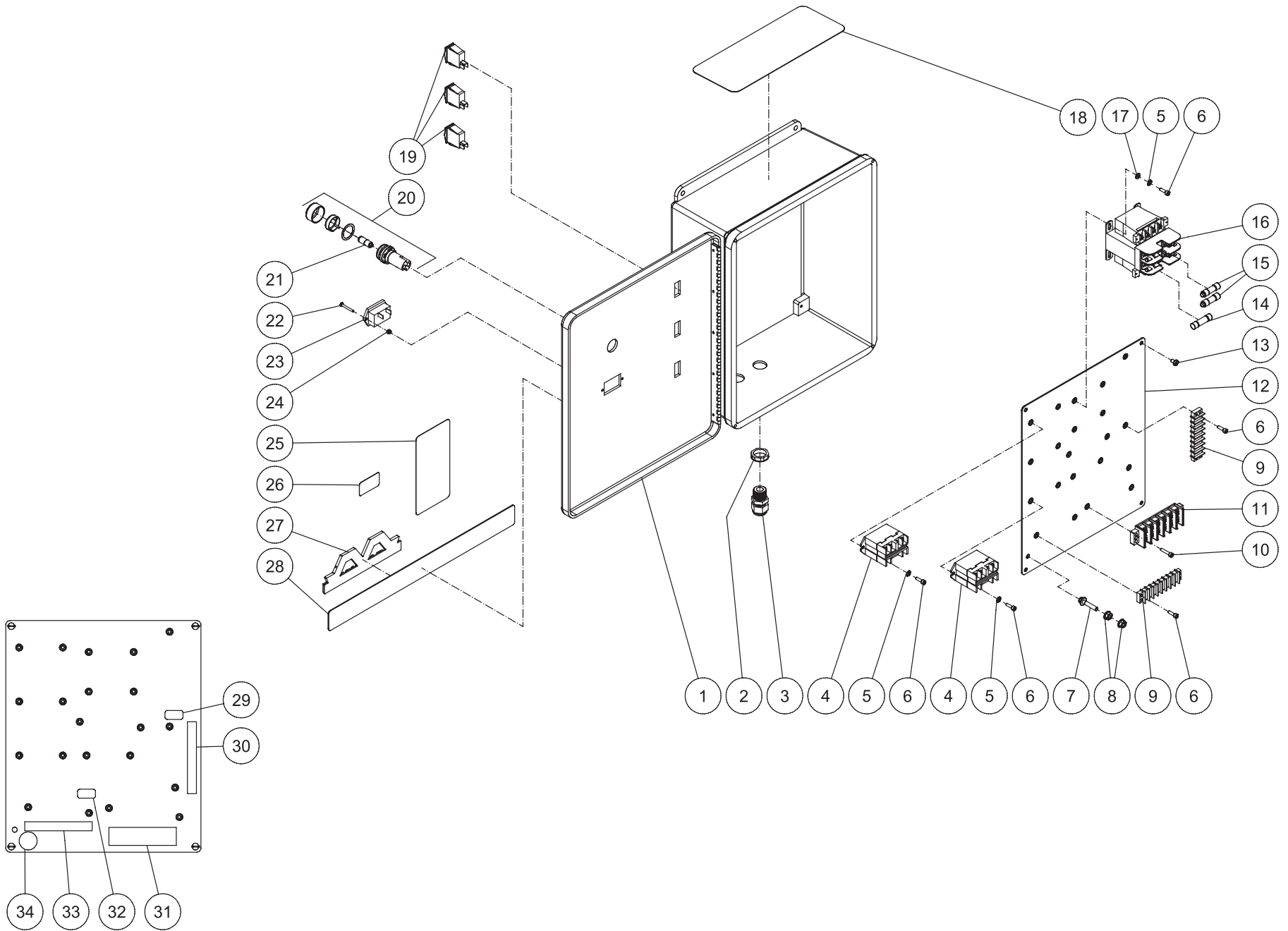
CONTROL PANEL (BEFORE SERIAL #30000296)



CONTROL PANEL							
REF. #	DESCRIPTION	PART#	QTY.	REF. #	DESCRIPTION	PART#	QTY.
1	Electrical Box	32-9006	1	19	Relay	32-0549	2
2	Switch Gasket	32-0553	3	20	Lockwasher	28-1009	8
3	Switch- 24V	32-0551	3	21	Bolt	27-8835	12
4	Indicator Light (Includes 5-11)	32-0535	1	22	Bolt	27-8898	1
5	Lens (Must Order 32-0535)	N/A Sep.	1	23	Nut	30-3022	2
6	Diffuser (Must Order 32-0535)	N/A Sep.	1	24	Terminal Strip	32-0436	2
7	Gasket- Thick (Must Order 32-0535)	N/A Sep.	1	25	Bolt	27-8930	2
8	Bulb	32-0628	1	26	Terminal Block	32-0536	1
9	Body (Must Order 32-0535)	N/A Sep.	1	27	Fuse- Secondary	32-0323	1
10	Gasket- Thin (Must Order 32-0535)	N/A Sep.	1	28	Fuse- Primary	32-0467	2
11	Retainer Ring (Must Order 32-0535)	N/A Sep.	1	29	Washer	28-0010	4
12	Bolt	27-8928	2	30	Transformer	32-0313	1
13	Hour Meter	32-0431	1	31	Decal- 230 Volt	34-0895	1
14	Locknut	30-8151	2	32	Decal- Ground Pictorial	34-0889	1
15	Locknut	32-0108	2	33	Decal- Terminal Strip 23-44	34-0886	1
16	Strain Relief	32-0437	2	34	Decal- Power Strip	34-0990	1
17	Electrical Plate	20-0520A14	1	35	Decal- Terminal Strip 1-22	34-0867	1
18	Screw	27-8933	4	36	Decal- 24 Volt	34-0894	1

CONTROL BOX ASSEMBLY (AFTER SERIAL #30000296)

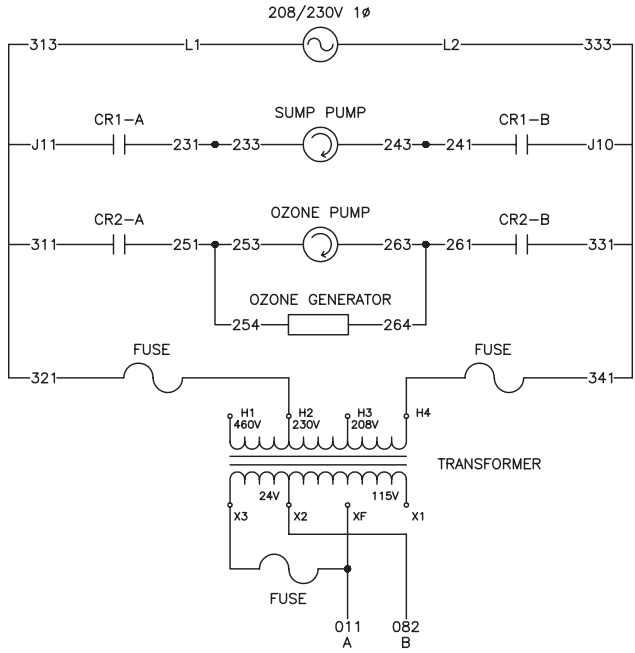
CONTROL BOX ASSEMBLY-WCL-30D-0M10



CONTROL BOX ASSEMBLY							
REF. #	DESCRIPTION	PART#	QTY.	REF. #	DESCRIPTION	PART#	QTY.
1	Electrical Box	32-046201	1	18	Decal- Operation	34-0983	1
2	Locknut	32-0108	2	19	Switch	32-0551	3
3	Strain Relief	32-0437	2	20	Pilot Light	32-0535	1
4	Relay	32-0549	2	21	Bulb	32-0628	1
5	Lockwasher	28-1009	8	22	Bolt	27-8928	2
6	Bolt	27-8835	12	23	Hourmeter	32-0431	1
7	Screw	27-8898	1	24	Locknut	30-8151	2
8	Nut	30-3022	2	25	Decal- Master Switch	34-1022	1
9	Terminal Strip	32-0436	2	26	Decal- Power On	34-0985	1
10	Bolt	27-8930	2	27	Plastic Mi-T-M Logo Gold	62-0087	1
11	Terminal Block	32-0536	1	28	Decal- Mi-T-M Stripe	34-0501	1
12	Electrical Plate	20-0520	1	29	Decal- 24V	34-0894	1
13	Screw	27-8933	4	30	Decal- Terminal Strip	34-0867	1
14	Fulse	32-0323	1	31	Decal- Terminal Strip	34-0990	1
15	Fuse	32-0467	2	32	Decal- 230 Volt	34-0895	1
16	Transformer	32-0313	1	33	Decal- Terminal Strip	34-0886	1
17	Washer	28-0010	4	34	Decal- Ground Pictorial	34-0889	1

LADDER DIAGRAM 24V AND 230V

24V 1Ø LADDER DIAGRAM

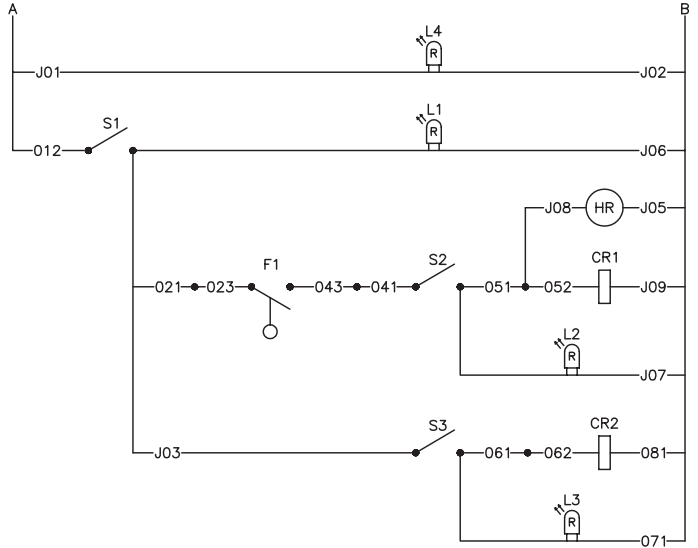


NOTE:
LADDER DIAGRAM SHOWN WITH POWER TO
UNIT AND NO WATER IN PIT

LEGEND:

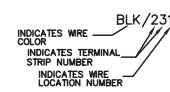
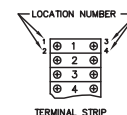
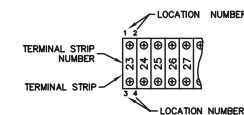
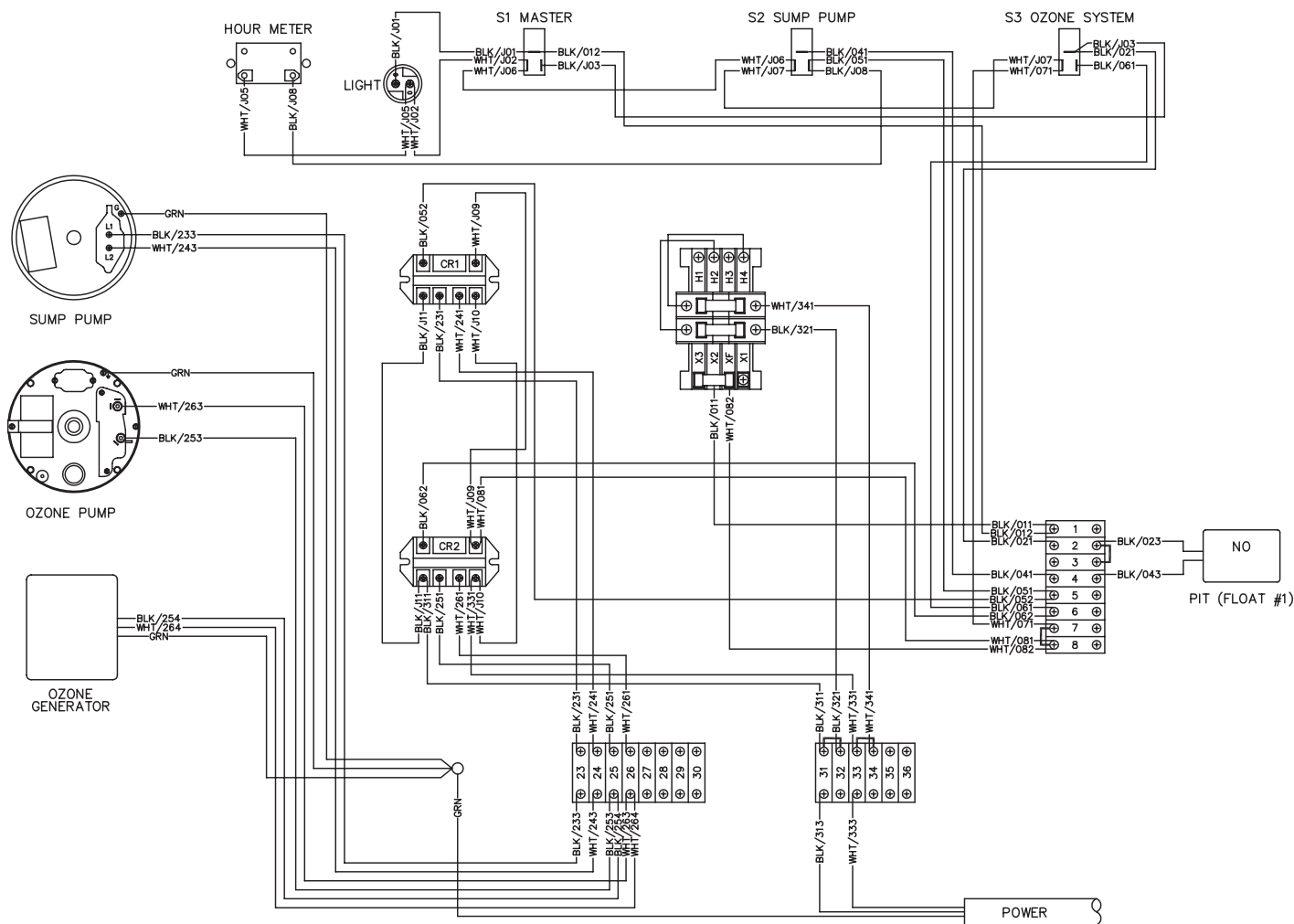
- CR1 = CONTROL RELAY, SUMP PUMP
- CR2 = CONTROL RELAY, OZONE SYSTEM
- S1 = SWITCH, MASTER
- S2 = SWITCH, SUMP PUMP
- S3 = SWITCH, OZONE SYSTEM
- L1 = LIGHT, FOR S1
- L2 = LIGHT, FOR S2
- L3 = LIGHT, FOR S3
- L4 = LIGHT, POWER ON
- F1 = FLOAT, N.O. BLUE, PIT
- HR = HOUR METER

230V 1Ø LADDER DIAGRAM

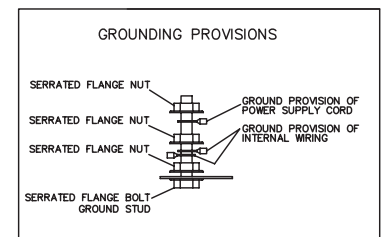


LADDER DIAGRAM-WCL-30D-0M10 071102-KS

WIRE DIAGRAM



EXAMPLE FOR WIRING DIAGRAM

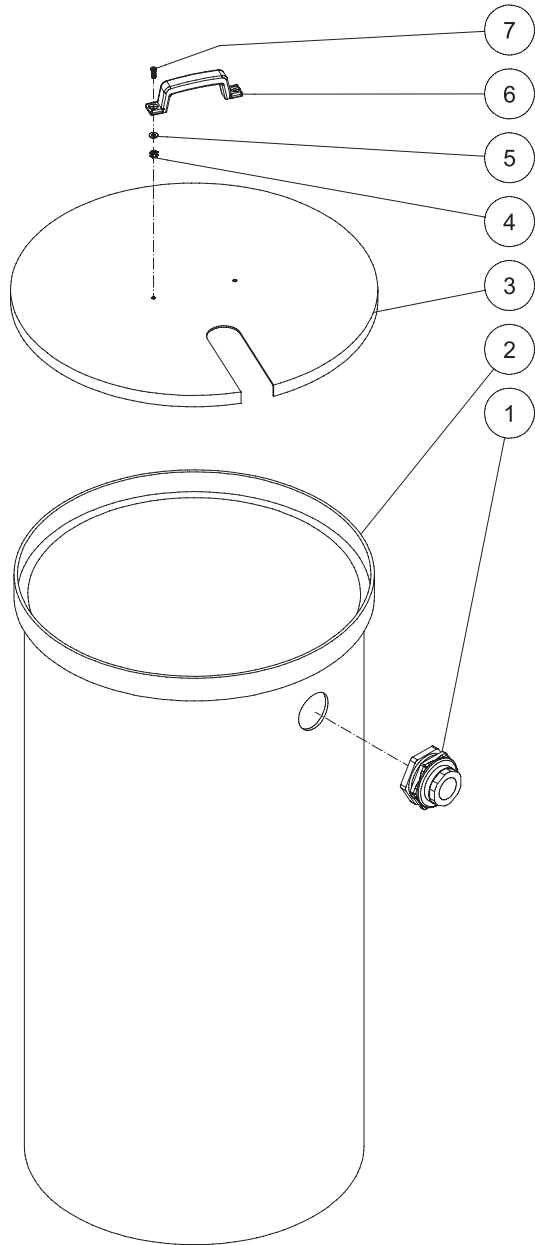


ALL WIRES ARE 16 AWG UNLESS OTHERWISE NOTED

WIRE DIAGRAM-WCL-30D-0M10 042702-KS

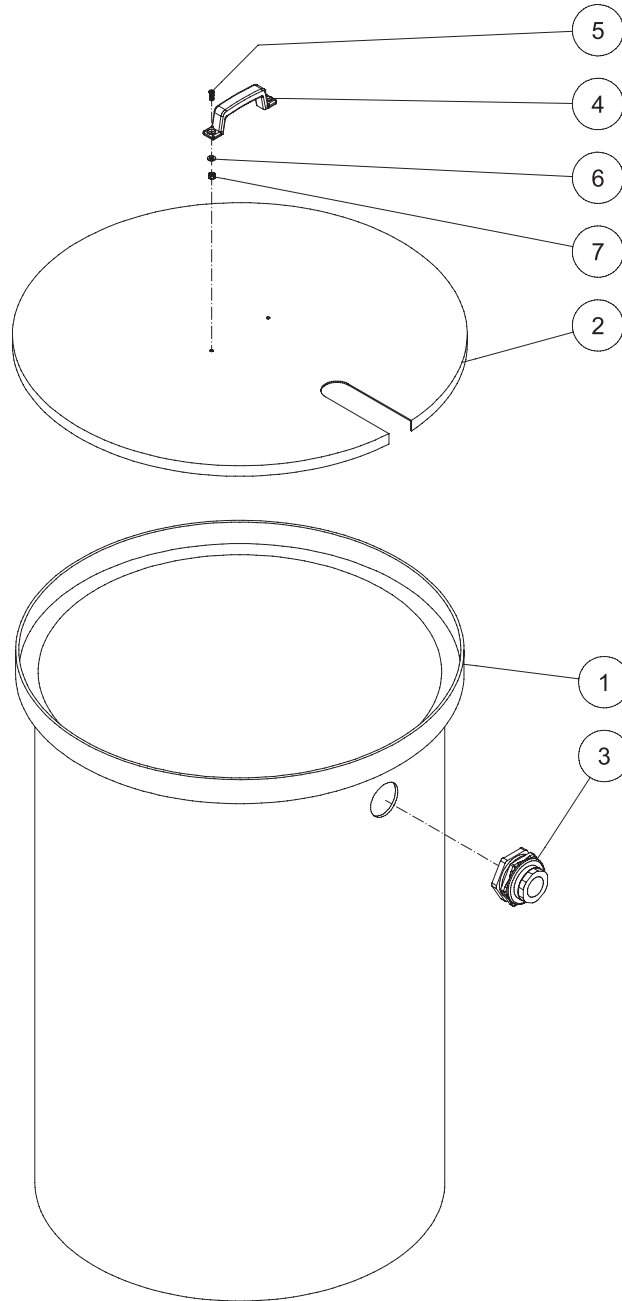
PRODUCT TANK (80 GALLON) ASSEMBLY (855-0015)

80 GAL PRODUCT TANK ASSY-WCL-30D-0M10-PJH



PRODUCT TANK (80 GALLON) ASSEMBLY (855-0015)			
REF. #	DESCRIPTION	PART #	QTY.
1	Bulkhead (Includes Gasket 25-0481)	55-1686	1
2	Tank (80 Gallons)	12-0094	1
3	Lid	12-0097	1
4	Locknut	30-5155	2
5	Washer	28-0121	2
6	Handle	7-0164	1
7	Bolt	27-8932	2

PRODUCT TANK (165 GALLON) ASSEMBLY (855-0016)



165 GALLON PRODUCT TANK ASSY-WCL-30D-0M10

PRODUCT TANK (165 GALLON) ASSEMBLY (855-0016)			
REF. #	DESCRIPTION	PART #	QTY.
1	Tank	12-0095	1
2	Lid	12-0098	1
3	Bulkhead Fitting (Includes O-Ring 25-0481)	55-1686	1
4	Handle	7-0164	1
5	Bolt	27-8932	2
6	Washer	28-0121	2
7	Locknut	28-0121	2

165 GALLON PRODUCT TANK ASSY-WCL-30D-0M10-110706-PJH

