

Mi-T-M[®] CORPORATION

8650 Enterprise Drive, Peosta IA 52068

563-556-7484 / Fax 563-556-1235

www.mitm.com

PARTS LIST FOR

WCP-30-0M10

(AFTER SERIAL #30000151)

WATER RECYCLING TREATMENT SYSTEM

Congratulations on the purchase of your new Mi-T-M water treatment system! This parts listing has been compiled for your benefit. You can be assured your Mi-T-M water treatment system was constructed and designed with quality and performance in mind. Each component has been rigorously tested to insure the highest level of acceptance.

The contents of this parts listing are based on the latest product information available at the time of publication. Mi-T-M reserves the right to make changes in price, color, materials, equipment, specifications or models at any time without notice.

WARNING

THIS IS A PROFESSIONAL WATER TREATMENT SYSTEM. CAUTION SHOULD BE OBSERVED WHEN USING OR REPAIRING THIS UNIT! READ AND FOLLOW THE SAFETY WARNINGS LISTED BELOW BEFORE ATTEMPTING ANY REPAIRS ON THIS WATER TREATMENT SYSTEM!

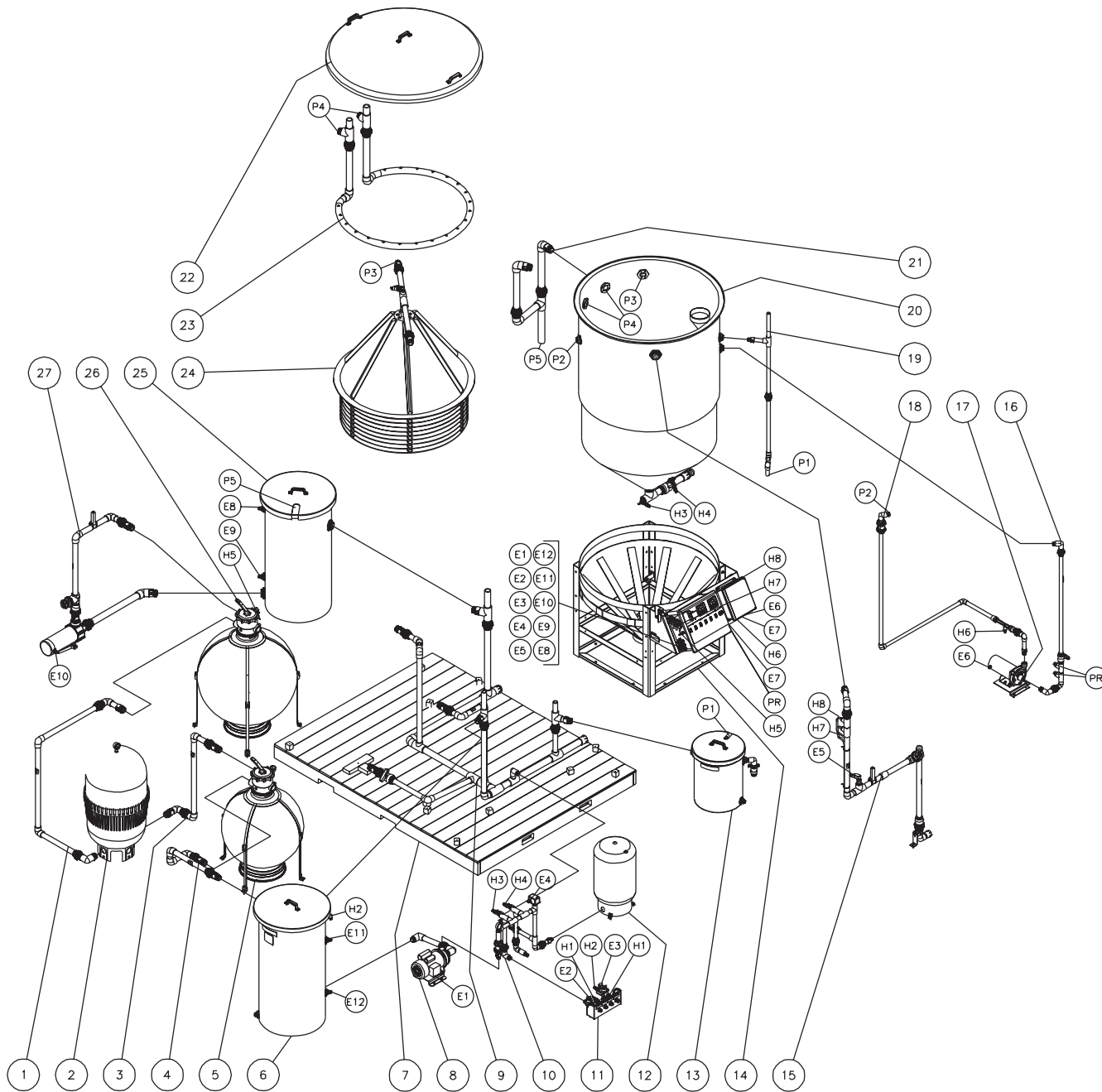
SAFETY WARNINGS

1. Serious injury or death could occur if the water treatment system is not properly grounded. Your water treatment system is powered by electricity and may cause electric shock or electrocution if not installed properly. Installation to this unit, including all electrical connections, must comply with all local, state and national codes. Any electrical wiring or repairs performed on this water treatment system should be done by Authorized Service Personnel in accordance with National and Local electrical codes.
2. NEVER alter or modify the equipment. Use only genuine Mi-T-M parts for repair of your water treatment system. Failure to do so can cause hazardous operating conditions and will VOID warranty.
3. Know how to stop and bleed pressures quickly. Be thoroughly familiar with controls. Do not operate without protective cover/guards. Follow the maintenance instructions specified in your operator's manual.
4. Before servicing, ALWAYS shut off the water and the unit. Allow the unit to cool down. NEVER assume the water treatment system is safe to work on just because it is not operating. It could restart at any time! ALWAYS disconnect from the power source. Service in a clean, dry flat area.
5. Be especially careful it properly dispose of any flammable materials. Consult Materials Safety Data Sheets for safe handling of chemicals used with your system, especially oxidizers and acids.

Table of Contents

MAIN ASSEMBLY	4
TANK STAND ASSEMBLY	6
PLUMBING: INLET ASSEMBLY	8
CLARIFIER TANK ASSEMBLY	10
CLARIFIER LID ASSEMBLY	14
PLUMBING: OZONE PUMP INLET ASSEMBLY	15
OZONE PUMP ASSEMBLY	16
OZONE PUMP (3-0199).....	17
PLUMBING: OZONE PUMP OUTLET ASSEMBLY	18
PLUMBING: OIL DECANTER ASSEMBLY (AFTER SERIAL #30000122)	19
OUTLET RING ASSEMBLY (AFTER SERIAL #30000122)	20
PLUMBING: CLARIFIER TANK OUTLET ASSEMBLY (AFTER SERIAL #30000122).....	22
HOLDING TANK ASSEMBLY	23
FILTER PUMP ASSEMBLY	24
FILTER PUMP (3-0187)	26
MULTI-MEDIA FILTER ASSEMBLY	28
PLUMBING: MULTI-MEDIA TO CARTRIDGE FILTER	30
CARTRIDGE FILTER (19-0601)	31
PLUMBING: CARTRIDGE FILTER TO POLISHING FILTER	32
POLISHING FILTER ASSEMBLY	33
PLUMBING: POLISHING FILTER TO PRODUCT TANK.....	34
PRODUCT TANK ASSEMBLY.....	36
TRANSFER PUMP ASSEMBLY	38
TRANSFER PUMP (3-0218)	40
PLUMBING: TRANSFER PUMP MANIFOLD	42
PRESSURE TANK ASSEMBLY.....	44
HOSE ASSEMBLIES	45
MANIFOLD ASSEMBLY	46
OIL DECANTER ASSEMBLY (AFTER SERIAL #30000122).....	48
PLUMBING: DRAIN LINE ASSEMBLY	50
PH/ORP PUMP (3-0182).....	52
OZONE GENERATOR ASSEMBLY (855-0021)	53
OZONE GENERATOR (32-0715)	54
CONTROL PANEL - LID	56
CONTROL PANEL - BASE (AFTER SERIAL #30000151)	58
SLUDGE BOX ASSEMBLY (855-0017).....	60
SUMP PIT ASSEMBLY	61
SUMP PUMP ASSEMBLY (855-0024).....	62
SUMP PUMP (3-0214)	63
WCP OZONE SYSTEM SCHEMATIC	64
WCP OZONE SYSTEM DIAGRAM	65
ELECTRICAL SCHEMATIC.....	66
ELECTRICAL DIAGRAM.....	67

MAIN ASSEMBLY

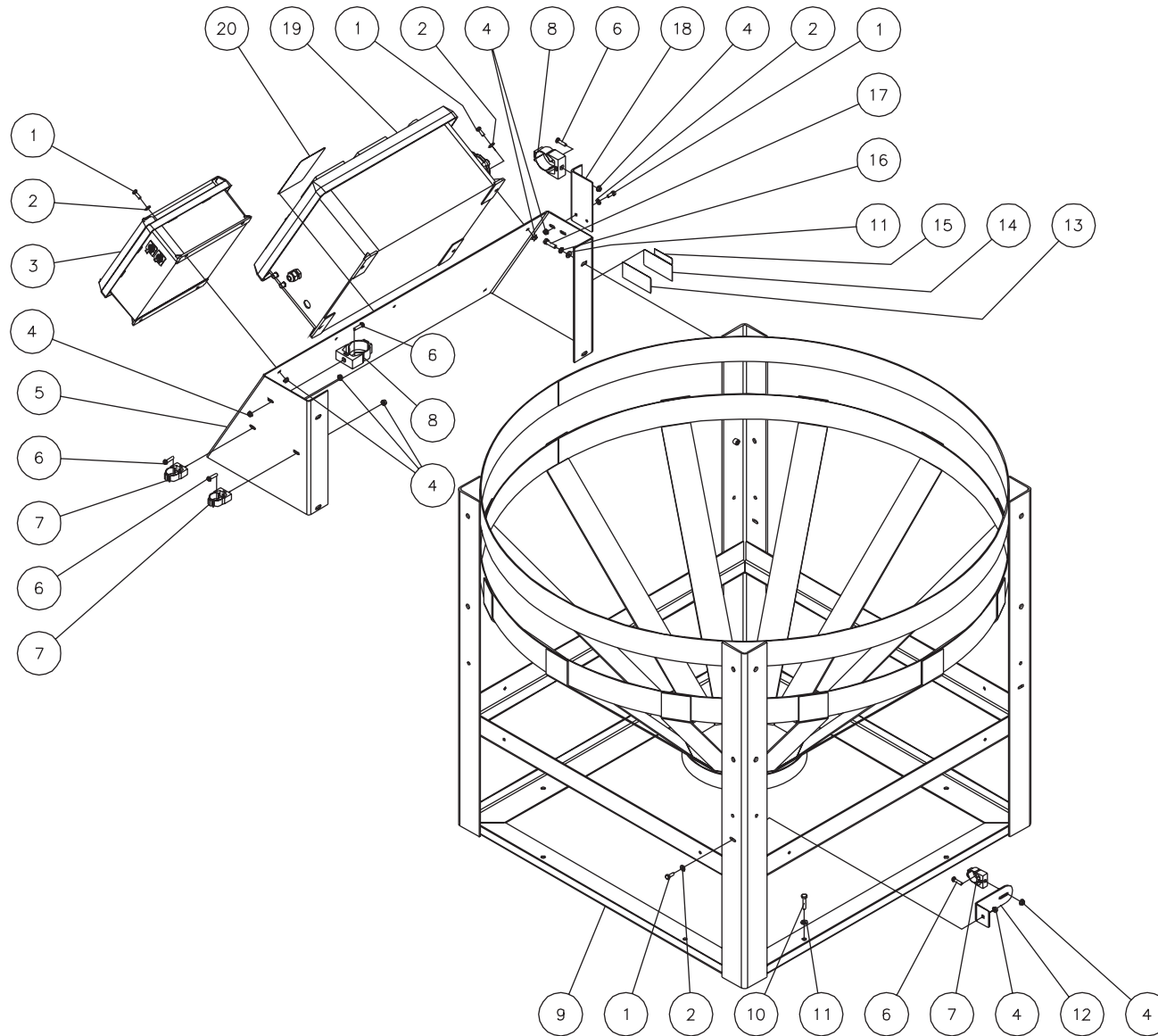


WCP-30-0M10-122101-KS

MAIN ASSEMBLY

REF. #	DESCRIPTION	PART#	QTY.	REF. #	DESCRIPTION	PART#	QTY.
1	Plumbing: Media Filter to Cartridge Filter (See Exploded Drawing)	N/A Sep.	1	15	Plumbing: Inlet Assembly (See Exploded Drawing)	N/A Sep.	1
2	Cartridge Filter Assembly	19-0601	1	16	Plumbing: Ozone Pump Inlet Assembly (See Exploded Drawing)	N/A Sep.	1
3	Plumbing: Cartridge Filter to Polishing Filter (See Exploded Drawing)	N/A Sep.	1	17	Ozone Pump Assembly (See Exploded Drawing)	N/A Sep.	1
4	Plumbing: Polishing Filter to Product Tank (See Exploded Drawing)	N/A Sep.	1	18	Plumbing: Ozone Pump Outlet Assembly (See Exploded Drawing)	N/A Sep.	1
5	Polishing Filter Assembly (See Exploded Drawing)	N/A Sep.	1	19	Plumbing: Oil Decanter Assembly (See Exploded Drawing)	N/A Sep.	1
6	Product Tank Assembly (See Exploded Drawing)	N/A Sep.	1	20	Clarifier Tank Assembly (See Exploded Drawing)	N/A Sep.	1
7	Pallet Assembly	35-0057	1	21	Plumbing: Clarifier Tank Outlet (See Exploded Drawing)	N/A Sep.	1
8	Transfer Pump Assembly (See Exploded Drawing)	N/A Sep.	1	22	Lid Assembly (See Exploded Drawing)	N/A Sep.	1
9	Plumbing: Drain Line Assembly (See Exploded Drawing)	N/A Sep.	1	23	Outlet Ring Assembly (See Exploded Drawing)	N/A Sep.	1
10	Plumbing: Transfer Pump Manifold (See Exploded Drawing)	N/A Sep.	1	24	Cone Assembly	855-0023	1
11	Manifold Assembly (See Exploded Drawing)	N/A Sep.	1	25	Holding Tank Assembly (See Exploded Drawing)	N/A Sep.	1
12	Pressure Tank	12-0081	1	26	Multi-Media Filter Assembly (See Exploded Drawing)	N/A Sep.	1
13	Oil Decanter Assembly (See Exploded Drawing)	N/A Sep.	1	27	Filter Pump Assembly (See Exploded Drawing)	N/A Sep.	1
14	Tank Stand Assembly (See Exploded Drawing)	N/A Sep.	1				

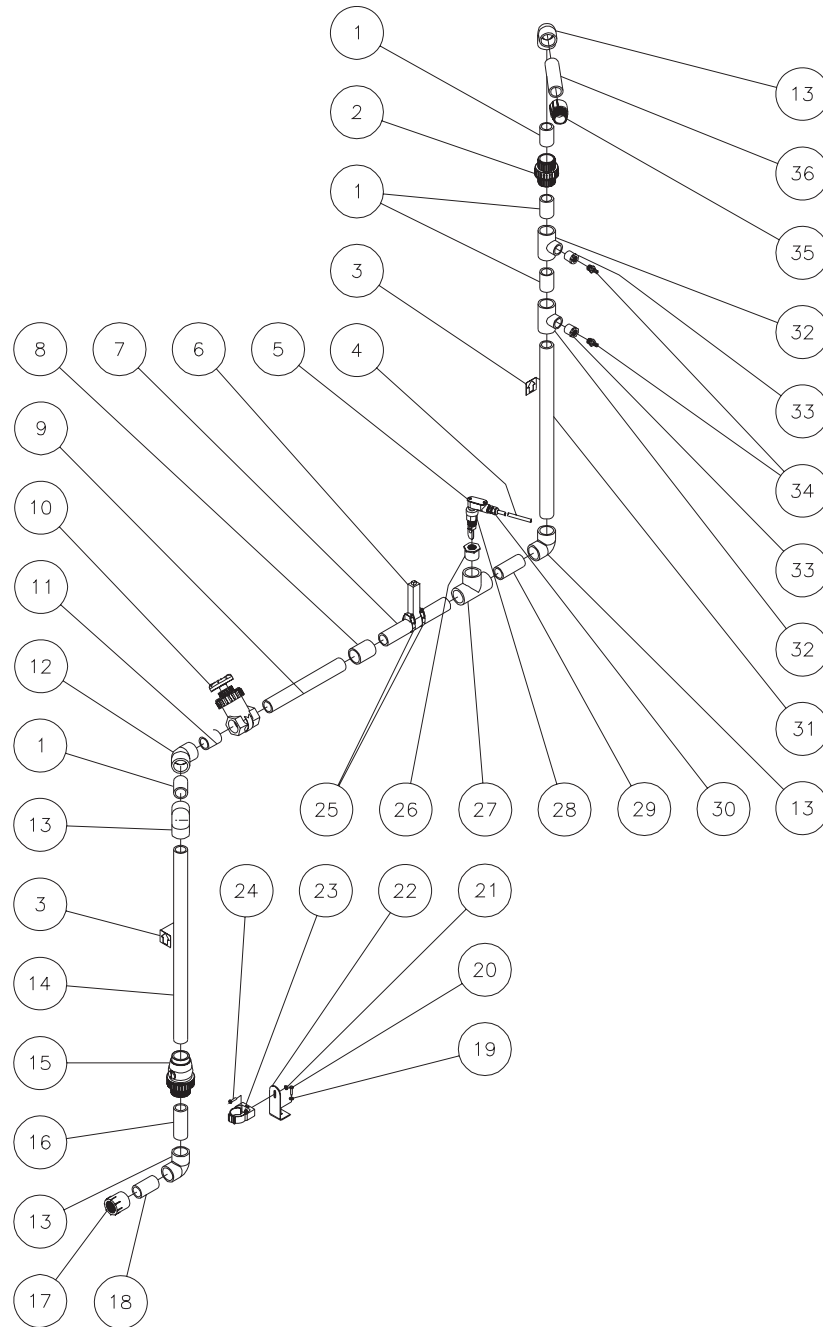
TANK STAND ASSEMBLY



TANK STAND-110801-KS

TANK STAND ASSEMBLY							
REF. #	DESCRIPTION	PART#	QTY.	REF. #	DESCRIPTION	PART#	QTY.
1	Screw	27-5016	11	12	Clamp Bracket	20-0555A01	1
2	Washer	28-0121	11	13	Decal- Data Plate	N/A	1
3	Ozone Generator Assembly	855-0021	1	14	Decal- Clear Laminate	N/A	1
4	Nut	30-5202	16	15	Decal- Serial Number	N/A	1
5	Control Panel	20-0535A01	1	16	Lockwasher	29-1007	4
6	Screw	27-5018	5	17	Screw	27-8963	4
7	Pipe Clamp	42-0038	3	18	Inlet Clamp Bracket	20-0569A01	1
8	Pipe Clamp	42-0026	2	19	Control Panel Assembly (See Exploded Drawing)	N/A Sep.	1
9	Tank Stand	20-0595A01	1	20	Decal- Risk of Electrocutation (See 34-9010)	N/A Sep.	1
10	Lag Bolt	27-5276	6		Safety Decal Kit (Inc. 20)	34-9010	
11	Washer	28-0122	10				

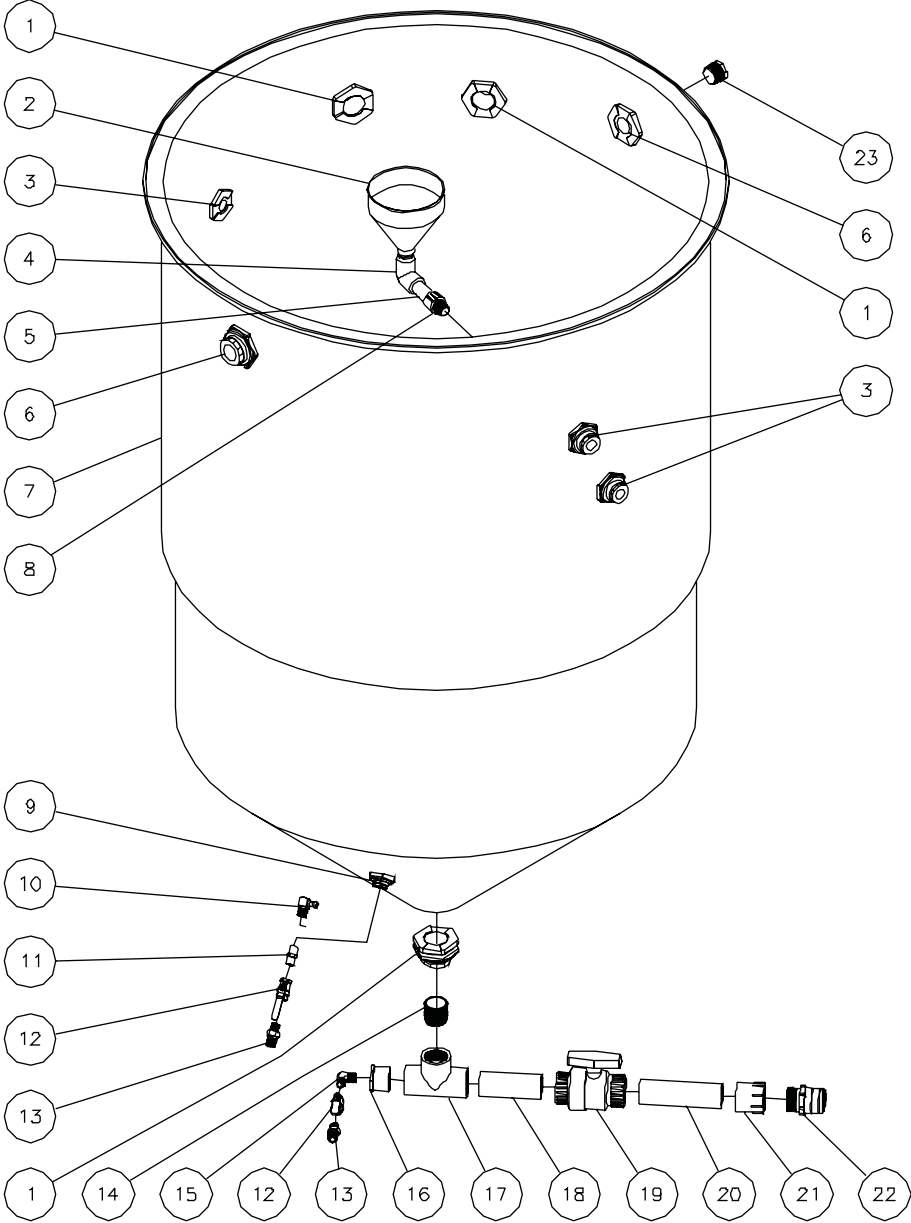
PLUMBING: INLET ASSEMBLY



INLET PLUMBING-091902-KS

PLUMBING: INLET ASSEMBLY							
REF. #	DESCRIPTION	PART#	QTY.	REF. #	DESCRIPTION	PART#	QTY.
1	Pipe *(1-1/2" x 2-3/4")	55-1600	4	20	Lag Bolt	27-5277	1
2	Union (Inc. 25-0448)	55-1645	1	21	Nut	30-5202	1
-	O-ring	25-0448	1	22	Clamp Bracket	20-0555A01	1
3	Decal- Backwash Arrow (See 34-9010)	N/A Sep.	2	23	Clamp	42-0026	1
4	Cord *(Six Feet Required)	32-0075	1	24	Screw	27-5018	1
5	Conduit	32-0642	1	25	Clamp	42-0027	2
6	Flowmeter (Inc. 2 of 42-0027)	55-0093	1	26	Bushing	55-1629	1
7	Pipe *(1 1/2" x 12")	55-1685	1	27	Tee	55-1601	1
8	Coupler	55-1614	1	28	Adjustable Flow Switch	32-0641	1
9	Pipe *(1 1/2" x 14 1/8")	55-1600	1	29	Pipe *(1 1/2" x 4 1/4")	55-1600	1
10	Gate Valve	55-1671	1	30	Strain Relief	32-0437	1
11	Pipe *(1 1/2" x 2 7/16)	55-1600	1	31	Pipe *(1 1/2" x 28 3/8")	55-1600	1
12	Elbow	55-1612	1	32	Tee	55-1603	2
13	Elbow	55-1609	4	33	Reducer Bushing	55-1229	2
14	Pipe *(1 1/2" x 31 3/4")	55-1600	1	34	Adapter	55-0023	2
15	Check Valve	55-1652	1	35	Male Adapter	55-1622	1
16	Pipe *(1 1/2" x 4 3/4")	55-1600	1	36	Pipe *(1 1/2" x 6 5/8")	55-1600	1
17	Female Adapter	55-1621	1		Crimped Wire Splice	32-0359	2
18	Pipe *(1 1/2" x 3 3/8")	55-1600	1		Safety Decal Kit (Inc. 3)	34-9010	
19	Washer	28-0121	1	*Must Order in One Foot Lengths			

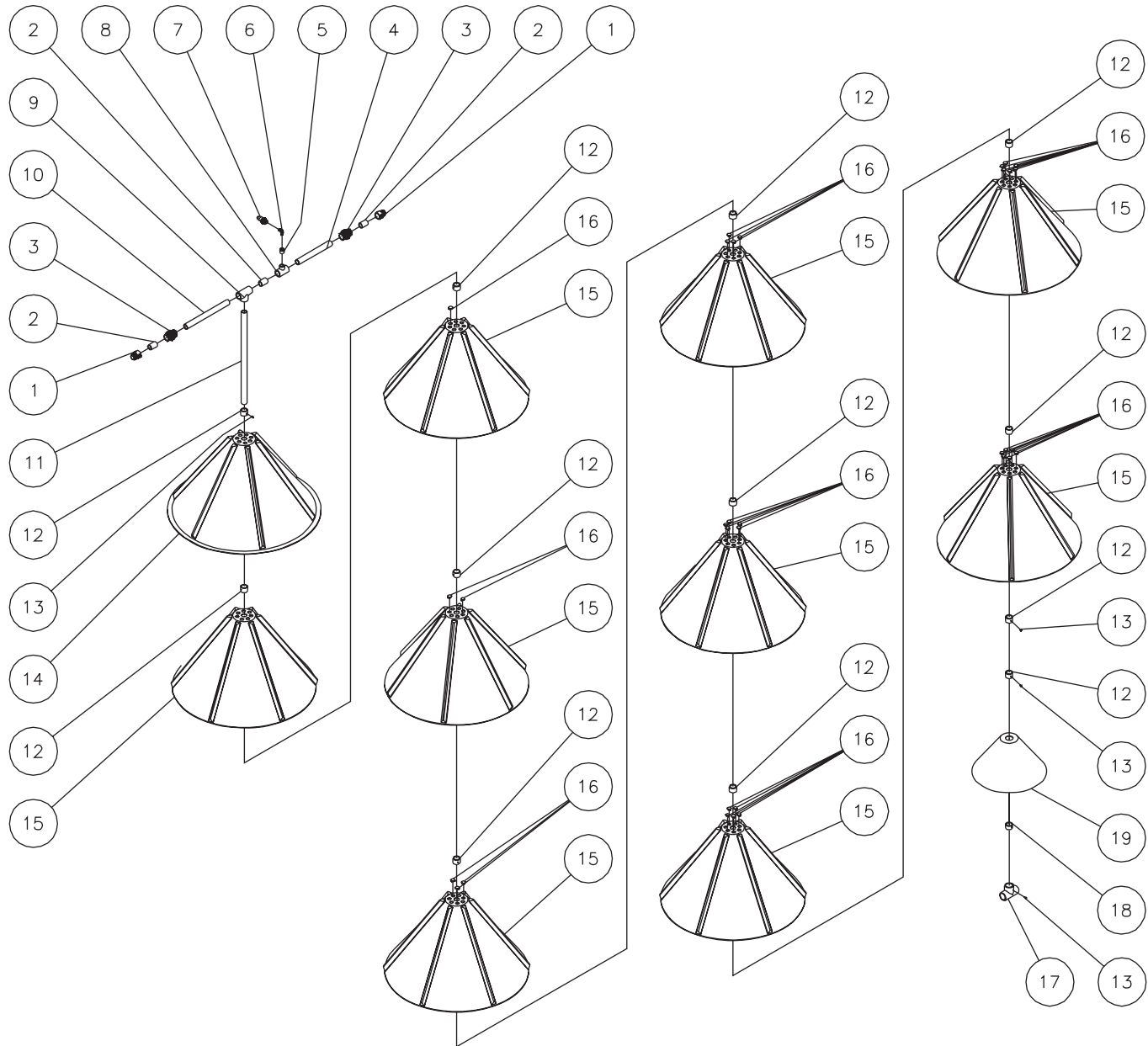
CLARIFIER TANK ASSEMBLY



CLARIFIER TANK ASSY-111802-KS

CLARIFIER TANK ASSEMBLY							
REF. #	DESCRIPTION	PART#	QTY.	REF. #	DESCRIPTION	PART#	QTY.
1	Bulkhead Fitting (Inc. 25-0481)	55-1886	3	11	Nipple	23-0012	1
-	Gasket	25-0481	3	12	Ball Valve	22-0278	2
2	Funnel	33-0338	1	13	Nipple	23-0359	2
3	Bulkhead Fitting (Inc. 25-0482)	55-1286	3	14	Nipple	55-1874	1
-	Gasket	25-0482	3	15	Elbow	23-0386	1
4	Elbow	55-1210	1	16	Reducer Bushing	55-1832	1
5	Pipe *(1" x 5")	55-1200	1	17	Tee	55-1807	1
6	Bulkhead Fitting (Inc. 25-0481)	55-1686	2	18	Pipe *(2" x 6")	55-1800	1
-	Gasket	25-0481	2	19	Ball Valve	55-1855	1
7	Clarifier Tank	12-0069	1	20	Pipe *(2" x 8")	55-1800	1
8	Adapter- Male	55-1222	1	21	Adapter- Female	55-1821	1
9	Bulkhead Fitting (Inc. 25-0506)	55-0886	1	22	Cam & Groove Adapter	55-0054	1
-	Gasket	25-0506	1	23	Plug	55-1640	1
10	Elbow	23-0053	1	*Must Order in One Foot Lengths			

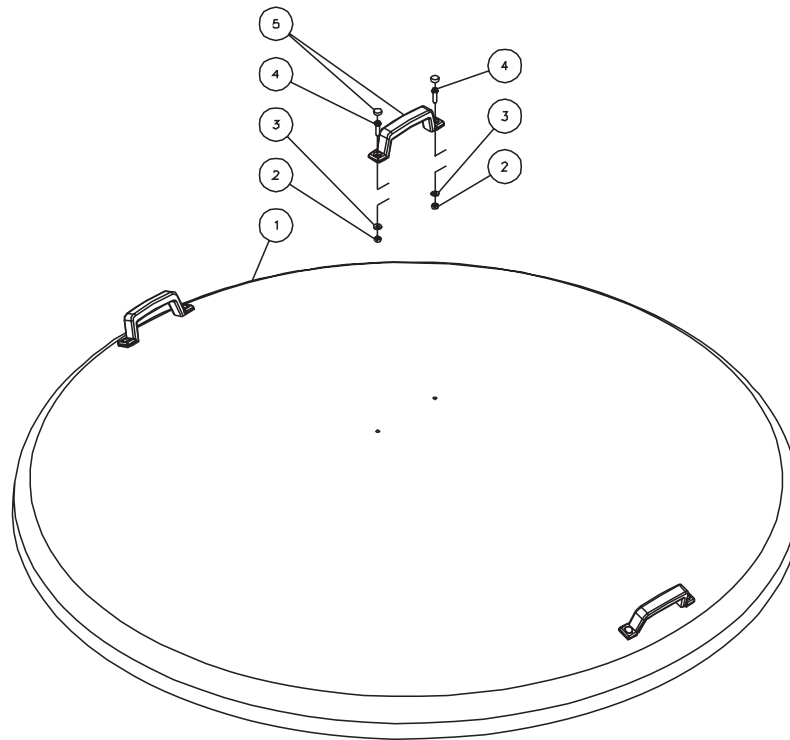
CONE ASSEMBLY (855-0023)



855-0023-091902-KS

CONE ASSEMBLY (855-0023)								
REF. #	DESCRIPTION	PART#	QTY.		REF. #	DESCRIPTION	PART#	QTY.
1	Adapter- Male	55-1622	2		11	Pipe *(1-1/2" x 37-1/4")	55-1600	1
2	Pipe *(1-1/2" x 2-3/4")	55-1600	3		12	Pipe *(2" x 1-3/4")	55-1800	12
3	Union (Inc. 25-0448)	55-1645	2		13	Screw	27-3064	4
-	O-ring	25-0448	2		14	Upper Coalescing Cone- 600 gal.	33-0297	1
4	Pipe *(1-1/2" x 15 5/8")	55-1600	1		15	Lower Coalescing Cone- 600 gal.	33-0331	9
5	Reducer Bushing	55-1229	1		16	Plug	39-0120	32
6	Elbow	23-0386	1		17	Tee	55-1801	1
7	Check Valve	55-0853	1		18	Pipe *(2" x 1 1/2")	55-1800	1
8	Tee	55-1603	1		19	Cone	33-0334	1
9	Tee	55-1601	1			Complete Cone Assembly	855-0023	
10	Pipe *(1-1/2" x 20")	55-1600	1		*Must Order in One Foot Lengths			

CLARIFIER LID ASSEMBLY

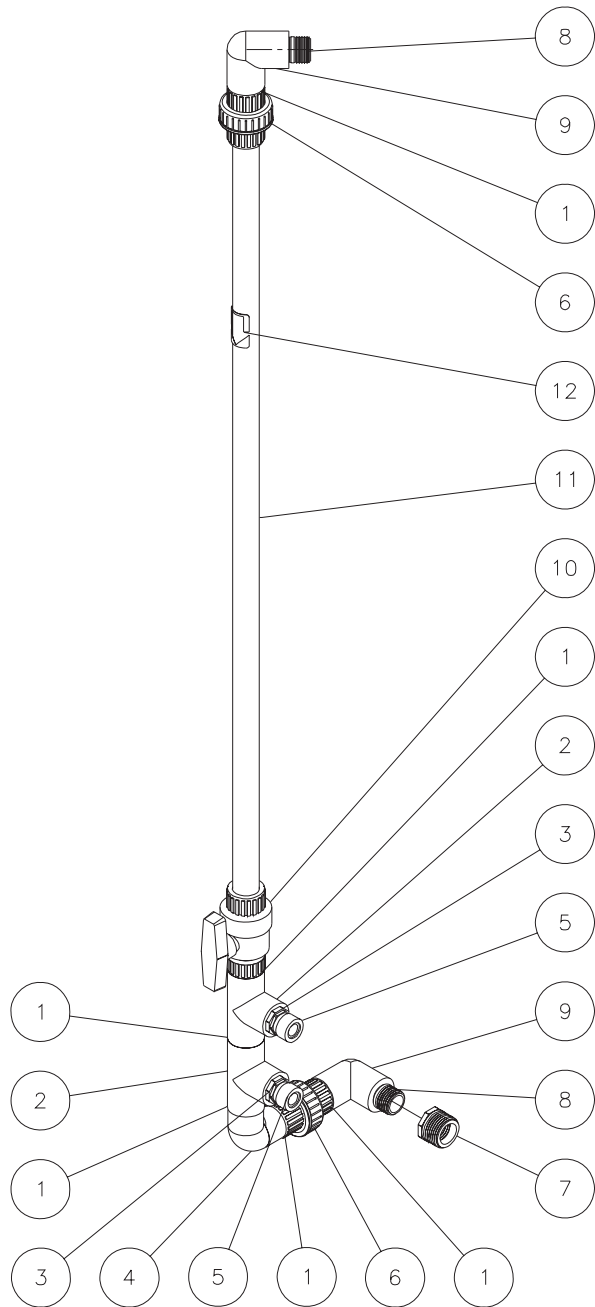


LID ASSY 600-070201-KS

CLARIFIER LID ASSEMBLY			
REF. #	DESCRIPTION	PART#	QTY.
1	Lid (See Tank 12-0102)	N/A Sep.	1
2	Locknut	30-5155	6
3	Washer	28-0121	6
4	Screw	27-5018	6
5	Handle	7-0164	3

LID ASSY 600-070201-KS

PLUMBING: OZONE PUMP INLET ASSEMBLY



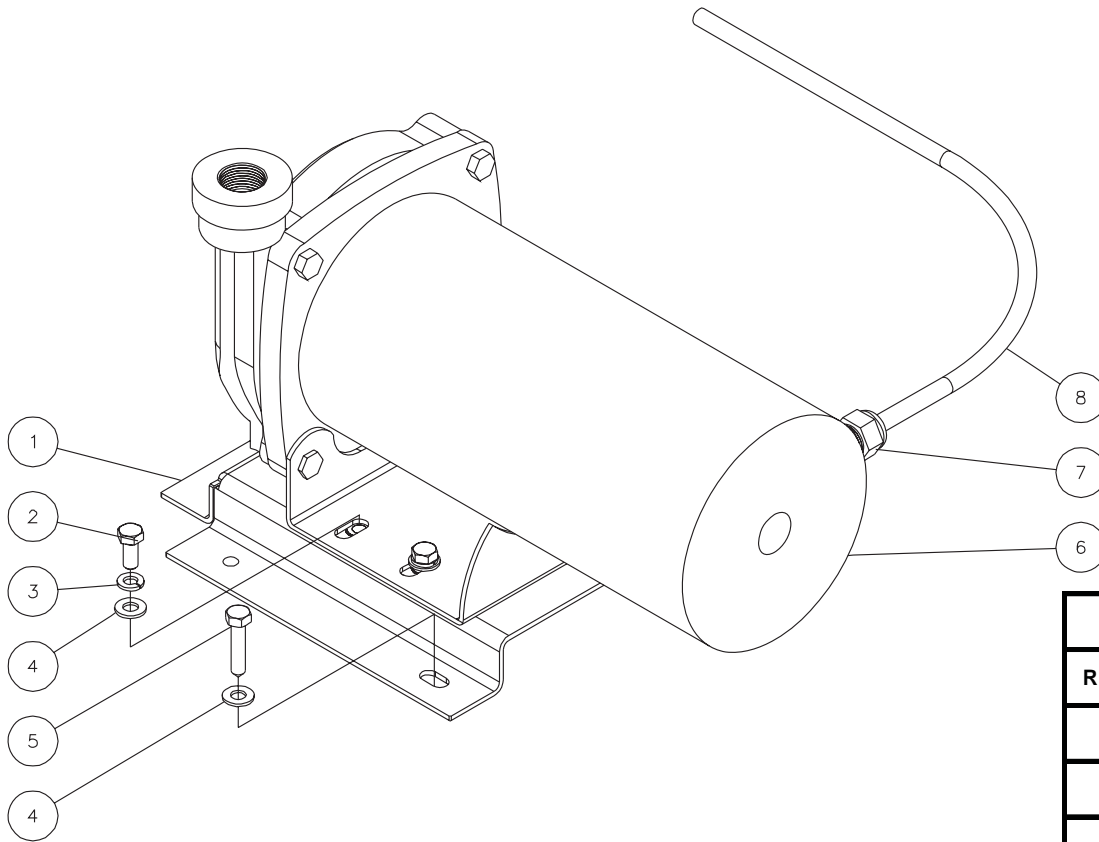
OZONE PUMP INLET-050702-KS

PLUMBING: OZONE PUMP INLET ASSEMBLY

REF. #	DESCRIPTION	PART#	QTY.
1	Pipe *(1" x 2-1/4")	55-1200	6
2	Tee	55-1201	2
3	Reducer Bushing	55-1229	2
4	Elbow	55-1209	1
5	Strain Relief	32-0550	2
6	Union (Inc. 25-0447)	55-1245	2
-	O-ring	25-0447	2
7	Reducer Bushing	55-1433	1
8	Nipple	55-1274	2
9	Elbow	55-1210	2
10	Ball Valve	55-1255	1
11	Pipe *(1" x 47")	55-1200	1
12	Decal- Arrow (See 34-9010)	N/A Sep.	1
	Safety Decal Kit (Inc. 12)	34-9010	
*Must Order in One Foot Lengths			

OZONE PUMP INLET ASSY-050702-KS

OZONE PUMP ASSEMBLY

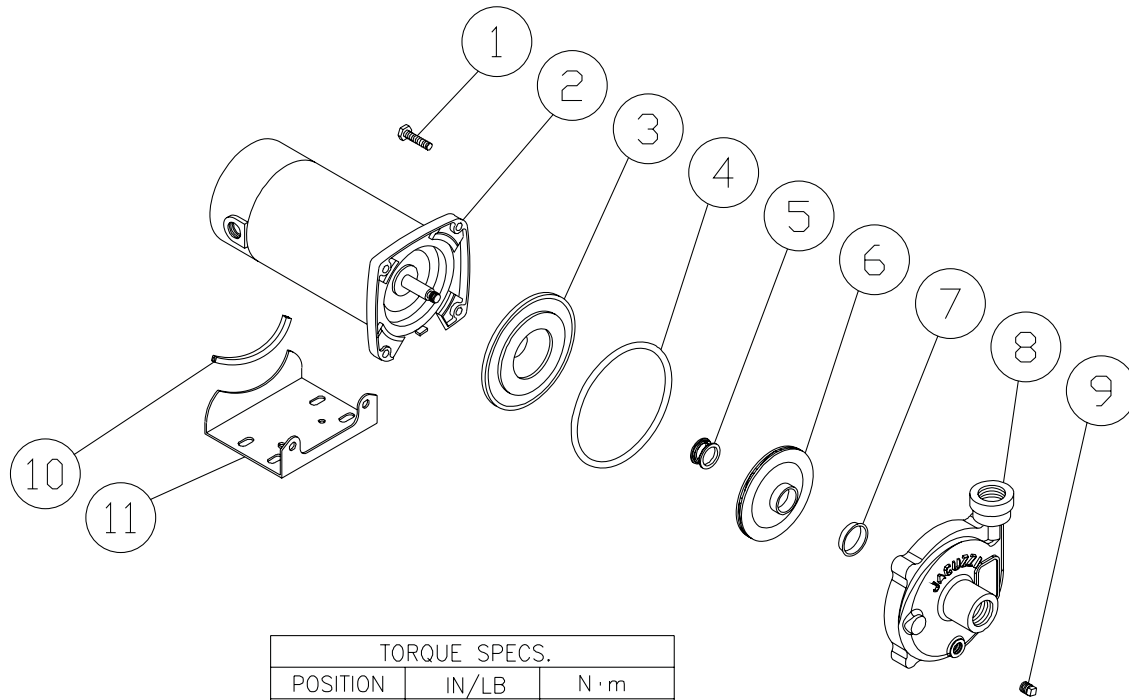


OZONE PUMP-111201-KS

OZONE PUMP ASSEMBLY			
REF. #	DESCRIPTION	PART#	QTY.
1	Pump Mount Plate	20-0522A01	1
2	Screw	27-5066	4
3	Lockwasher	29-1007	4
4	Washer	28-0122	6
5	Lag Bolt	27-5276	2
6	Pump	3-0199	1
7	Strain Relief	32-0437	1
8	Cord *(Five Feet Required)	32-0074	1
	Terminal Fork	32-0003	1
	Terminal Flag	32-0492	2
*Must Order in One Foot Lengths			

OZONE PUMP ASSY-111201-KS

OZONE PUMP (3-0199)



TORQUE SPECS.		
POSITION	IN/LB	N · m
1	150-160	16.9-18.0

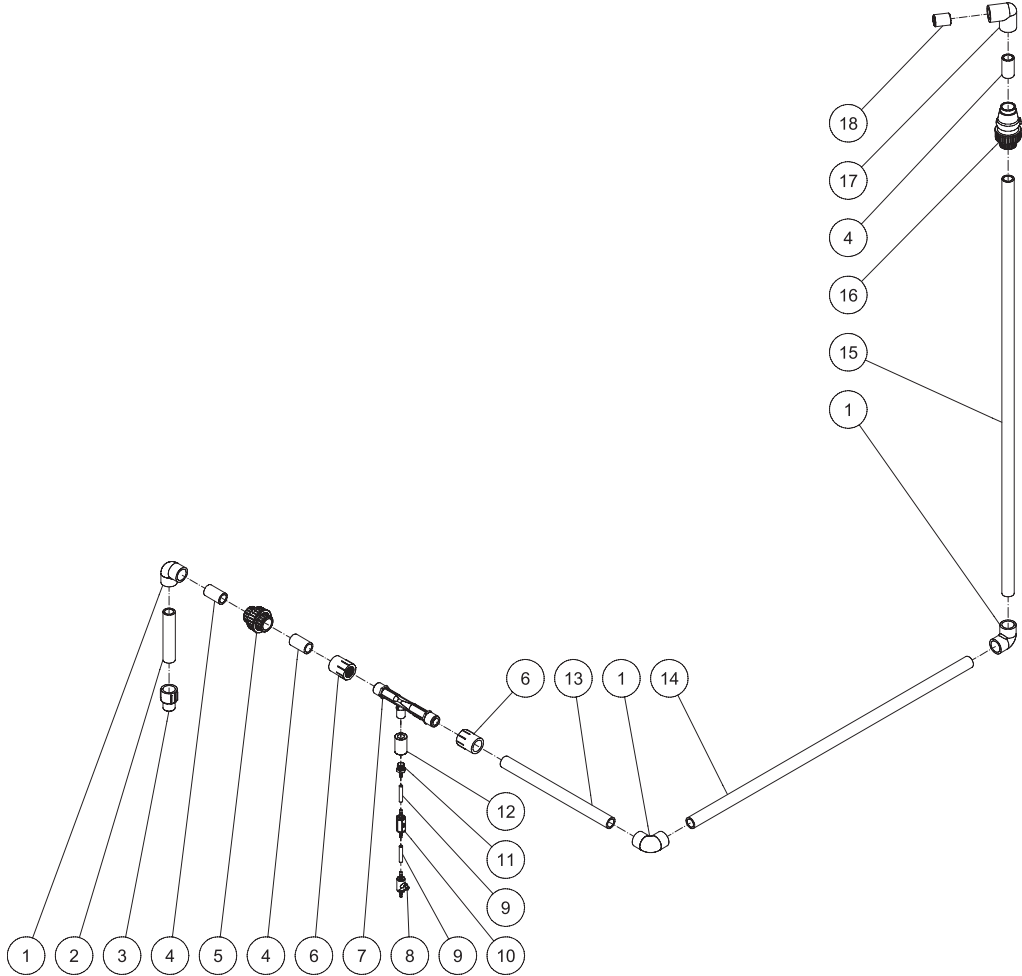
3-0199-OZONE-061099-JTR

OZONE PUMP (3-0199)			
REF. #	DESCRIPTION	PART#	QTY.
1	Bolt	27-0117	4
2	Motor- 1/2 H.P.	N/A	1
3	Seal Plate	26-0237	1
4	Square Ring	25-0479	1
5	Mechanical Seal	26-0215	1
6	Impeller	46-0853	1
7	Wear Ring	46-0835	1
8	Pump Head	N/A	1
9	Drain Plug	39-0109	1
10	Motor Pad	33-0320	1
11	Motor Pad Base	5-0144	1
	Complete Ozone Pump (Inc. 1-11)	3-0199	

PLUMBING: OZONE PUMP OUTLET ASSEMBLY

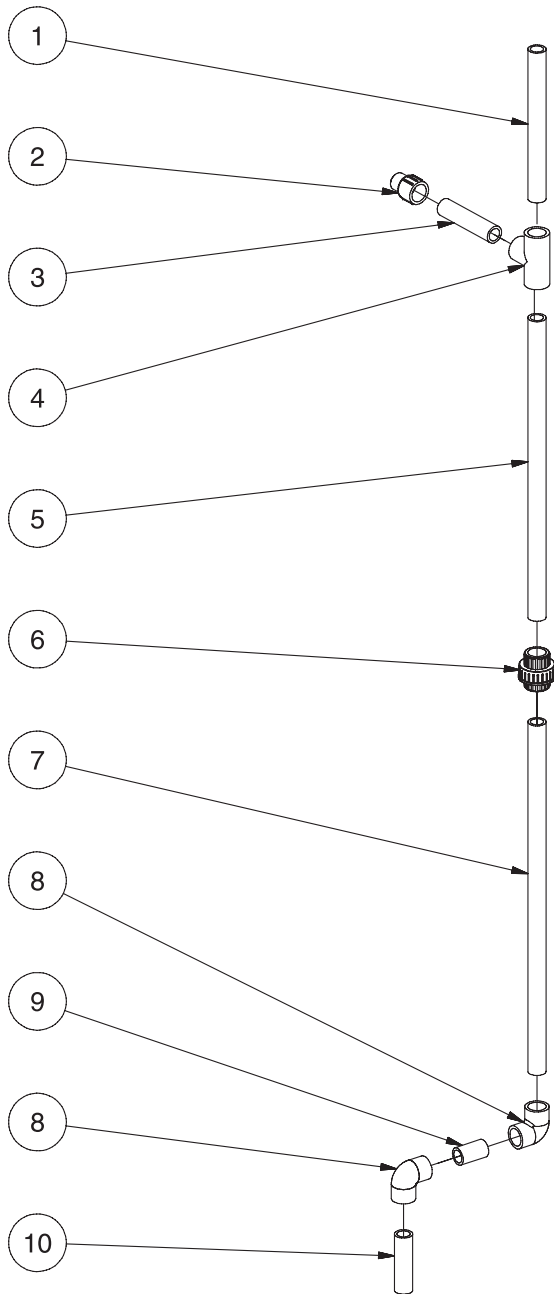
OZONE PUMP OUTLET-041707-PJH

OZONE PUMP OUTLET ASSY-041707-KS



PLUMBING: OZONE PUMP OUTLET ASSEMBLY			
REF. #	DESCRIPTION	PART#	QTY.
1	Elbow	55-1209	3
2	Pipe *(1" x 6-1/4")	55-1200	1
3	Adapter- Male	55-1222	1
4	Pipe *(1" x 2-1/4")	55-1200	3
5	Union (Includes 25-0447)	55-1245	1
-	O-ring	25-0447	1
6	Female Adapter	55-1221	2
7	Mazzei Injector	55-0015	1
8	2-way Ball Valve	22-0074	1
9	Hose *(Four Feet Required)	15-0226	1
10	Check Valve	22-0286	1
11	Adapter	55-0023	1
12	Coupler	55-0815	1
13	Pipe *(1" x 16")	55-1200	1
14	Pipe *(1" x 42")	55-1200	1
15	Pipe *(1" x 54")	55-1200	1
16	Ball Check Valve	55-1252	1
17	Elbow	55-1210	1
18	Nipple	55-1274	1
*Must Order in One Foot Lengths			

PLUMBING: OIL DECANTER ASSEMBLY (AFTER SERIAL #30000122)

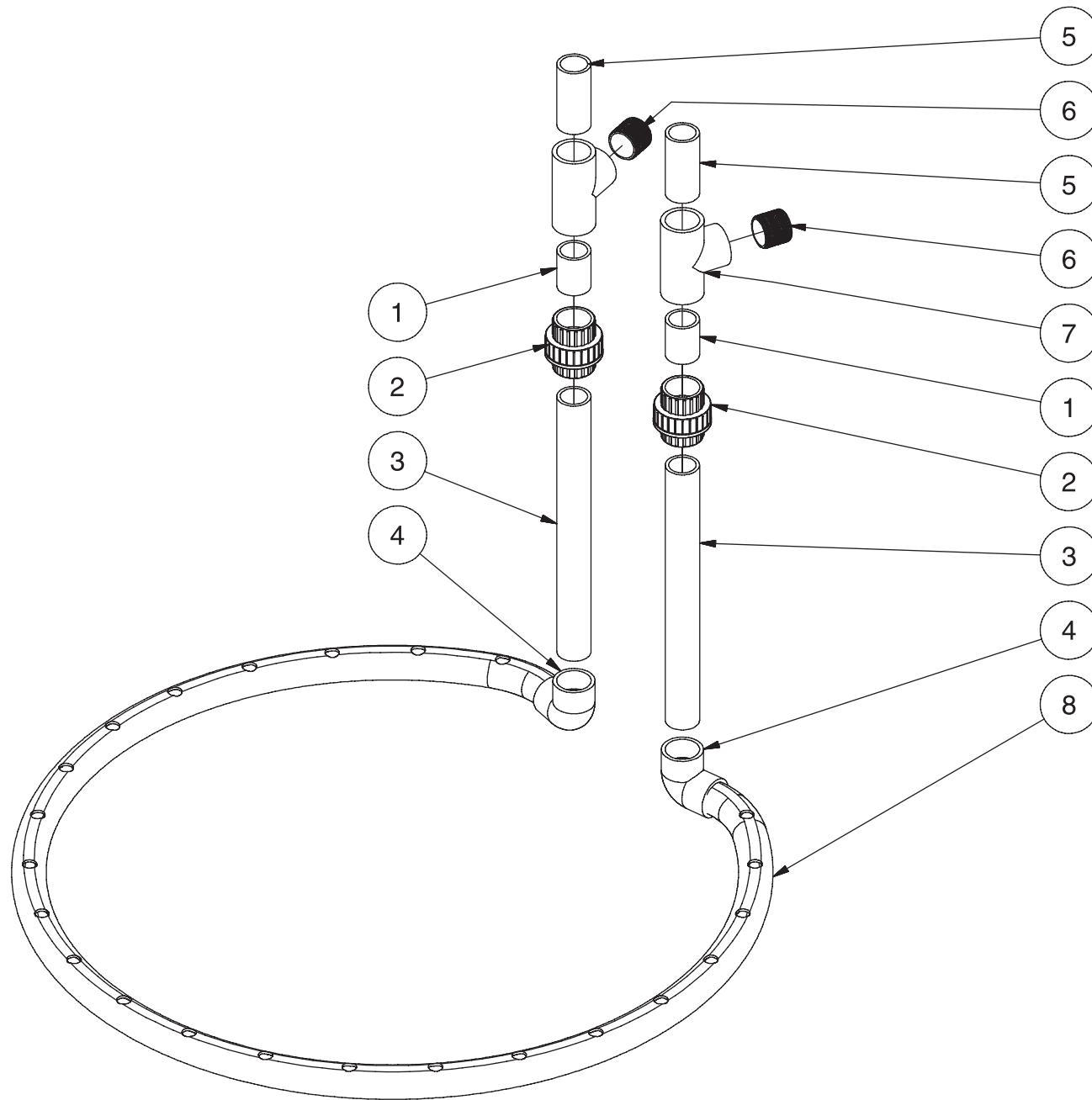


OIL DECANTER PLUMBING-020905-ASY

PLUMBING: OIL DECANTER ASSEMBLY (AFTER SERIAL #30000122)			
REF. #	DESCRIPTION	PART#	QTY.
1	Pipe *(1" x 12")	55-1200	1
2	Adapter- Male	55-1222	1
3	Pipe *(1" x 5-5/8")	55-1200	1
4	Tee	55-1201	1
5	Pipe *(1" x 24")	55-1200	1
6	Union (Inc. 25-0447)	55-1245	1
-	O-ring	25-0447	1
7	Pipe *(1" x 28")	55-1200	1
8	Elbow	55-1209	2
9	Pipe *(1" x 2 1/4")	55-1200	1
10	Pipe *(1" x 6")	55-1200	1
*Must Order in One Foot Lengths			

OIL DECANTER PLUMBING-020905-ASY

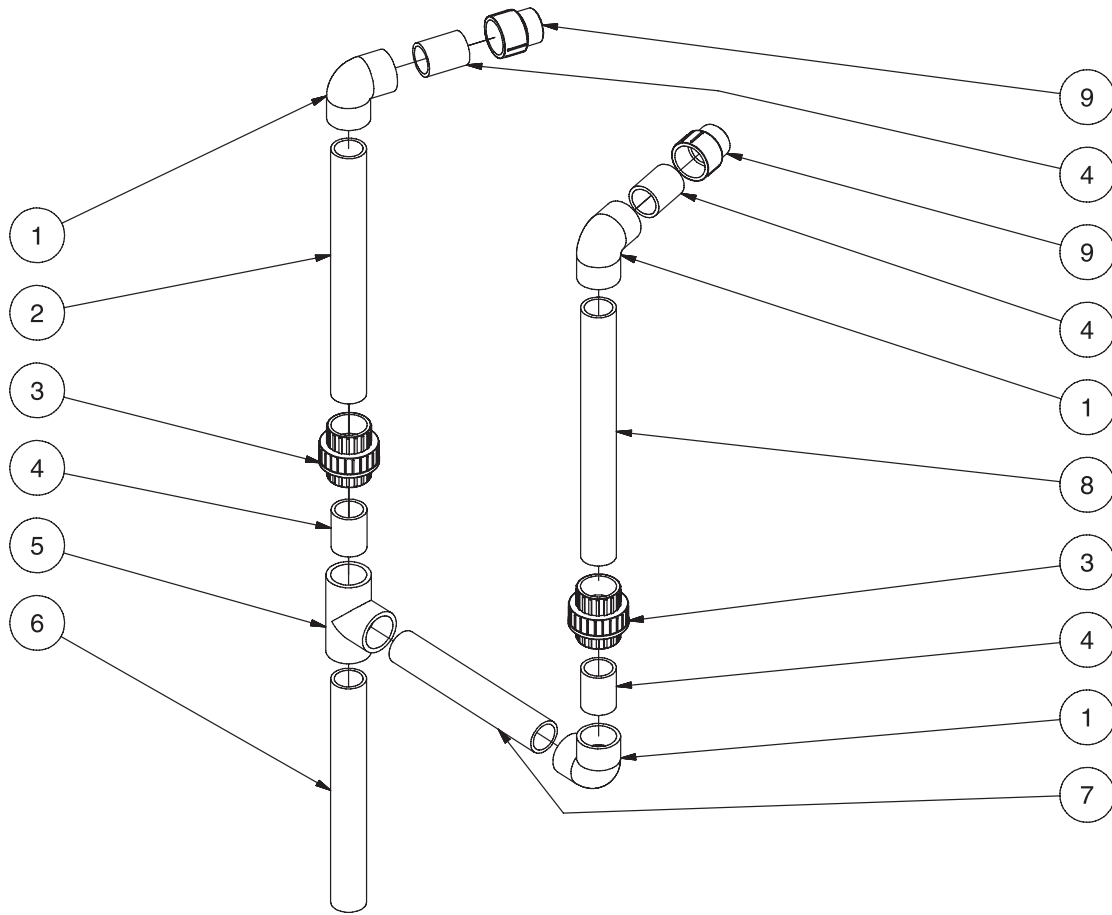
OUTLET RING ASSEMBLY (AFTER SERIAL #30000122)



OUTLET RING 600-021605-ASY

OUTLET RING ASSEMBLY (AFTER SERIAL #30000122)			
REF. #	DESCRIPTION	PART#	QTY.
1	Pipe *(2" x 3")	55-1800	2
2	Union (Inc. 25-0449)	55-1845	2
-	O-ring	25-0449	2
3	Pipe *(2" x 21 1/2")	55-1800	2
4	Elbow	55-1809	2
5	Pipe *(2" x 5 1/8")	55-1800	2
6	Nipple	55-1874	2
7	Tee	55-1807	2
8	Flex Pipe	55-0062	1
*Must Order in One Foot Lengths			

PLUMBING: CLARIFIER TANK OUTLET ASSEMBLY (AFTER SERIAL #30000122)



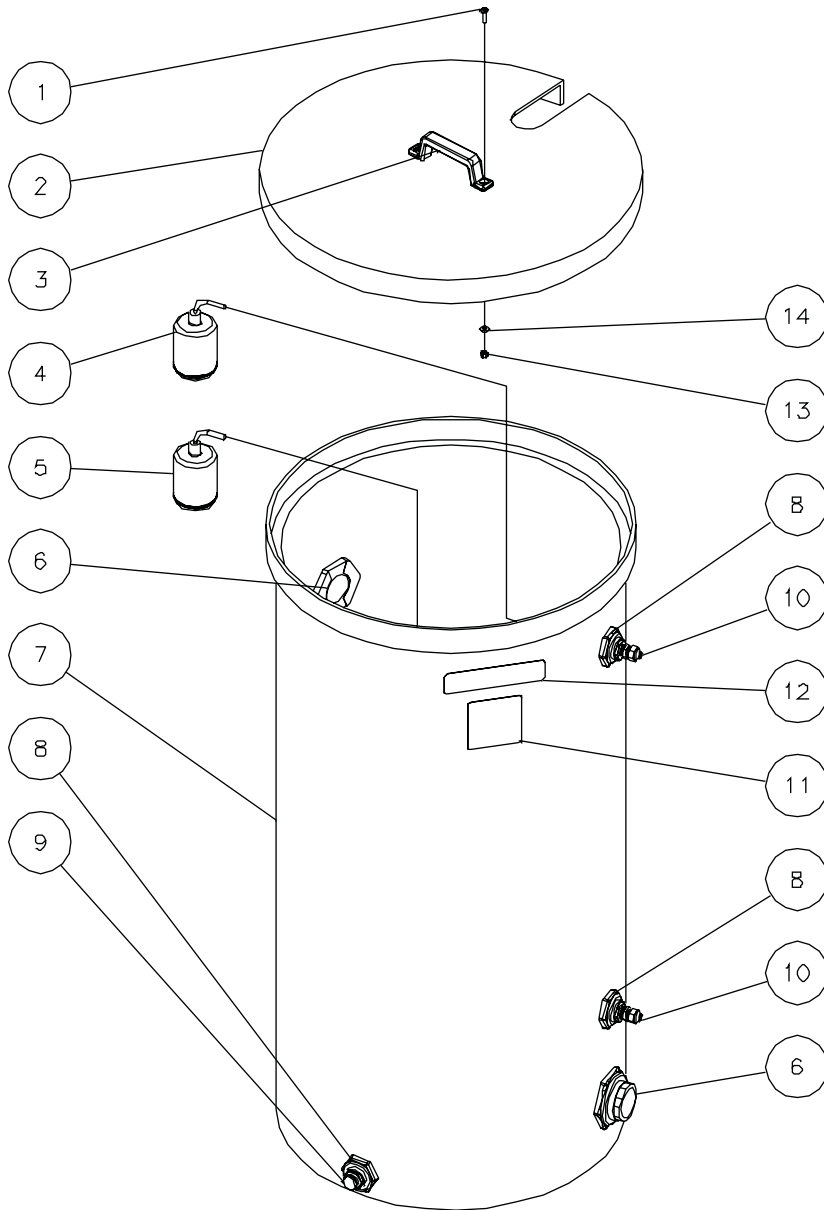
CLARIFIER TANK OUTLET-020705-ASY

PLUMBING: CLARIFIER TANK OULET ASSEMBLY (AFTER SERIAL #30000122)

REF. #	DESCRIPTION	PART#	QTY.
1	Elbow	55-1809	3
2	Pipe *(2" x 19 3/4")	55-1800	1
3	Union (Inc. 25-0449)	55-1845	2
-	O-ring	25-0449	2
4	Pipe *(2" x 3")	55-1800	4
5	Tee	55-1801	1
6	Pipe *(2" x 18")	55-1800	1
7	Pipe *(2" x 13 7/8")	55-1800	1
8	Pipe *(2" x 20")	55-1800	1
9	Adapter- Male	55-1822	2
*Must Order in One Foot Lengths			

CLARIFIER TANK OUTLET-020705-ASY

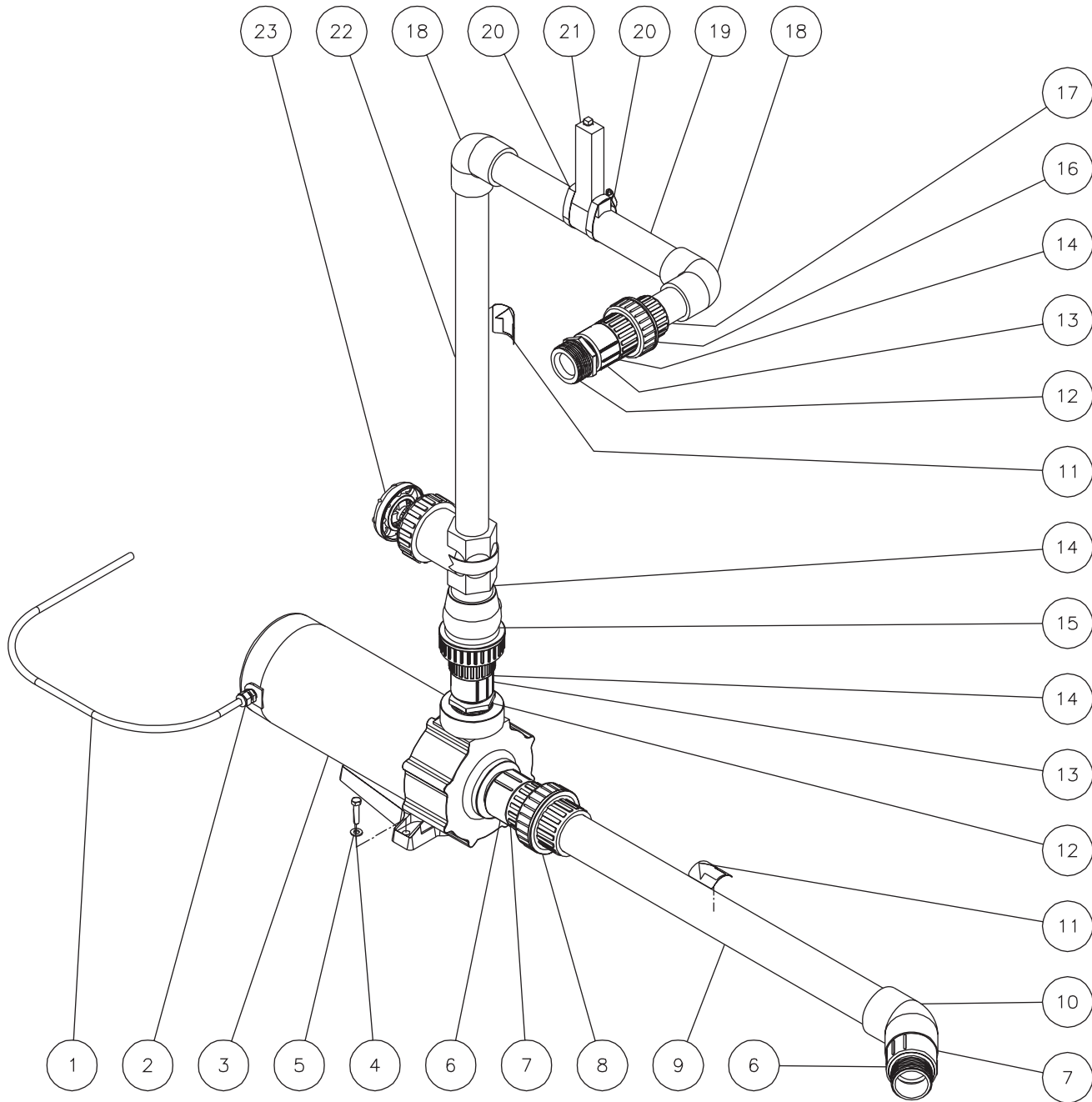
HOLDING TANK ASSEMBLY



HOLDING TANK-112102-KS

HOLDING TANK ASSEMBLY			
REF. #	DESCRIPTION	PART#	QTY.
1	Screw	27-5018	2
2	Cover	12-0097	1
3	Handle	7-0164	1
4	Float	32-0664	1
5	Float	32-0663	1
6	Bulkhead Fitting (Inc. 25-0481)	55-1886	2
-	Gasket	25-0481	2
7	Tank	12-0094	1
8	Bulkhead Fitting (Inc. 25-0506)	55-0886	3
-	Gasket	25-0506	3
9	Plug	55-0840	1
10	Strain Relief	32-0437	2
11	Decal- Caution: Nonpotable Water (See 34-9010)	N/A Sep.	1
12	Decal- Holding Tank (See 34-9010)	N/A Sep.	1
13	Locknut	30-5155	2
14	Washer	28-0121	2
	Safety Decal Kit (Inc. 11, 12)	34-9010	

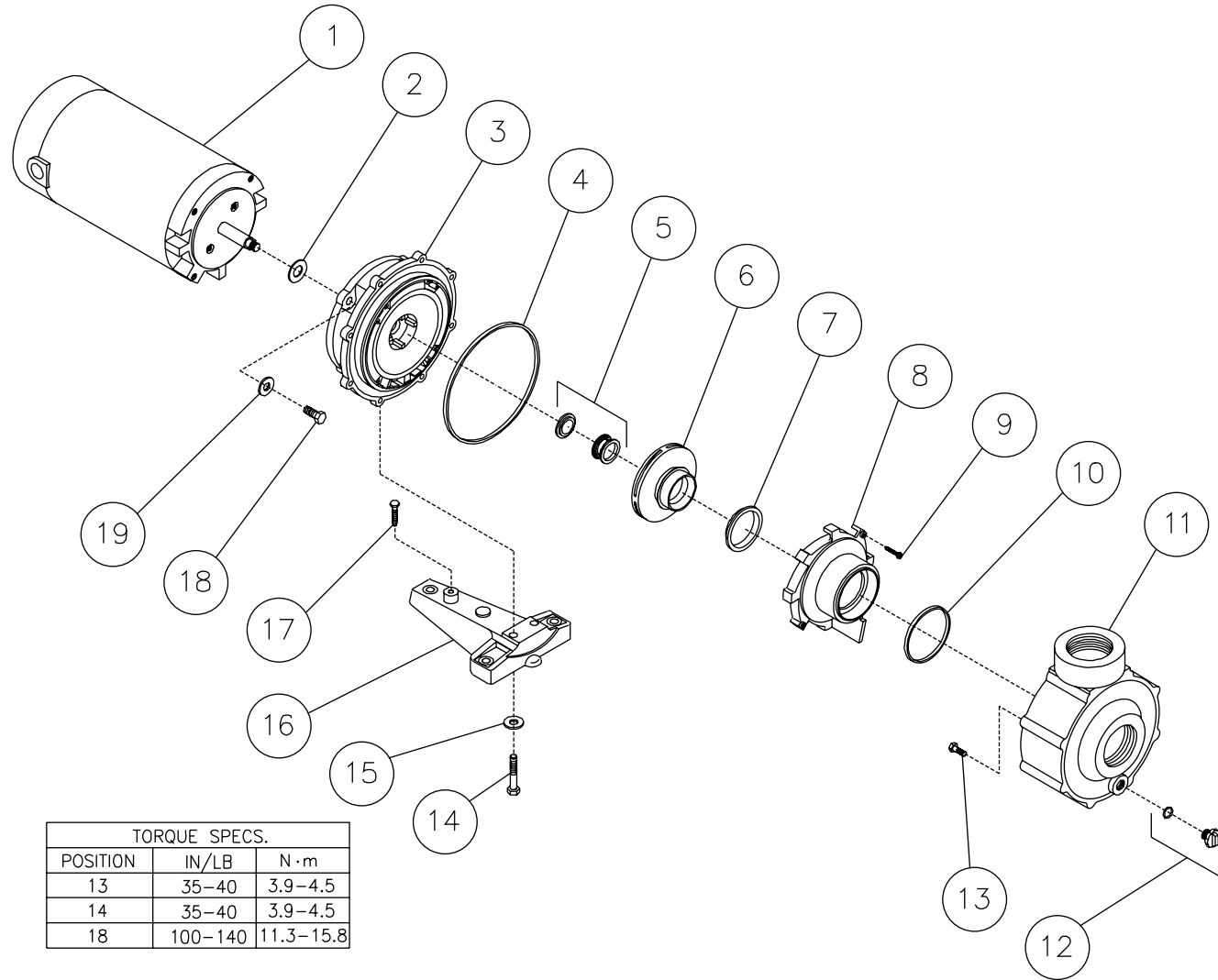
FILTER PUMP ASSEMBLY



FILTER PUMP ASSY-061901-KS

FILTER PUMP ASSEMBLY							
REF. #	DESCRIPTION	PART#	QTY.	REF. #	DESCRIPTION	PART#	QTY.
1	Cord *(Fourteen Feet Required)	32-0074	1	14	Pipe *(1-1/2" x 2-3/4")	55-1600	3
2	Strain Relief	32-0437	1	15	Ball Check Valve	55-1652	1
3	Filter Pump	3-0187	1	16	Union (Inc. 25-0448)	55-1645	1
4	Lag Bolt	27-5276	3	-	O-ring	25-0448	1
5	Washer	28-0122	3	17	Pipe *(1-1/2" x 4-1/2")	55-1600	1
6	Adapter- Male	55-1822	2	18	Elbow	55-1609	2
7	Pipe *(2" x 3")	55-1800	1	19	Pipe *(1-1/2" x 16-3/4")	55-1685	1
8	Union (Inc. 25-0449)	55-1845	1	20	Clamp	42-0027	2
-	O-ring	25-0449	1	21	Flowmeter (Inc. 42-0027)	55-0016	1
9	Pipe *(2" x 28")	55-1800	1	22	Pipe *(1-1/2" x 26-5/8")	55-1600	1
10	Elbow	55-1812	1	23	Gate Valve	55-1671	1
11	Decal- Arrow (See 34-9010)	N/A Sep.	2		Terminal Fork	32-0003	1
12	Reducer Bushing	55-1833	2		Terminal Flag	32-0492	2
13	Adapter- Male	55-1622	2		Safety Decal Kit (Inc. 11)	34-9010	
*Must Order in One Foot Lengths							

FILTER PUMP (3-0187)

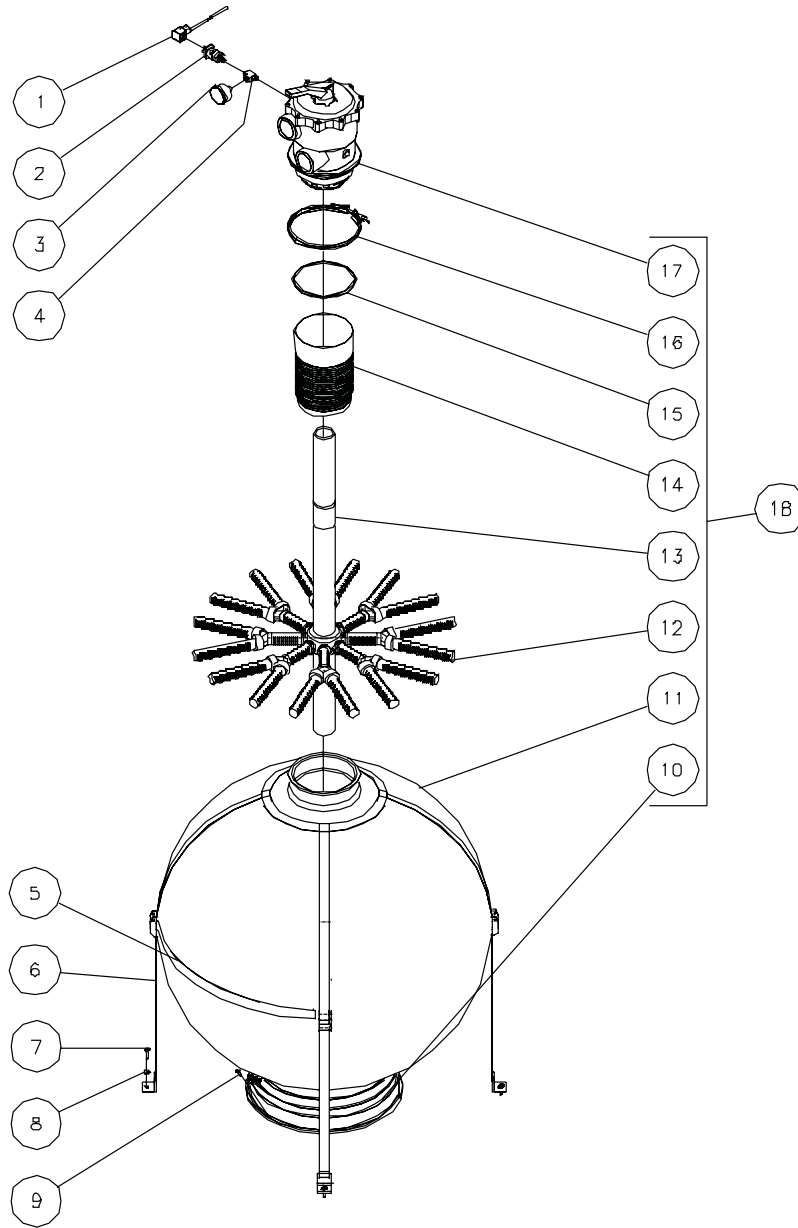


TORQUE SPECS.		
POSITION	IN/LB	N · m
13	35-40	3.9-4.5
14	35-40	3.9-4.5
18	100-140	11.3-15.8

3-0187-041499-JJ

FILTER PUMP (3-0187)							
REF. #	DESCRIPTION	PART#	QTY.	REF. #	DESCRIPTION	PART#	QTY.
1	Motor- 1 1/2 HP (See 3-0187)	N/A Sep.	1	12	Plug Assembly	39-0110	1
2	Rubber Washer (See 3-0187)	N/A Sep.	1	13	Bolt	27-5016	8
3	Bracket	46-0839	1	14	Bolt (See 70-0252)	N/A Sep.	2
4	Square Ring (Large)	26-0299	1	15	Washer (See 70-0252)	N/A Sep.	2
5	Mechanical Seal	26-0216	1	16	Base Assembly	5-0145	1
6	Impeller (See 70-0256)	N/A Sep.	1	17	Bolt (See 70-0252)	N/A Sep.	1
7	Eye Seal	26-0218	1	18	Bolt	27-8939	4
8	Diffuser	70-0254	1	19	Washer	28-0123	4
9	Bolt	27-8938	2		Fastner Kit (Inc. 14,15,17)	70-0252	
10	Square Ring (Small)	26-0300	1		Impeller Kit (Inc. 6-7)	70-0256	
11	Case Flange Assembly	46-0840	1		Complete Filter Pump (Inc. 1-19)	3-0187	

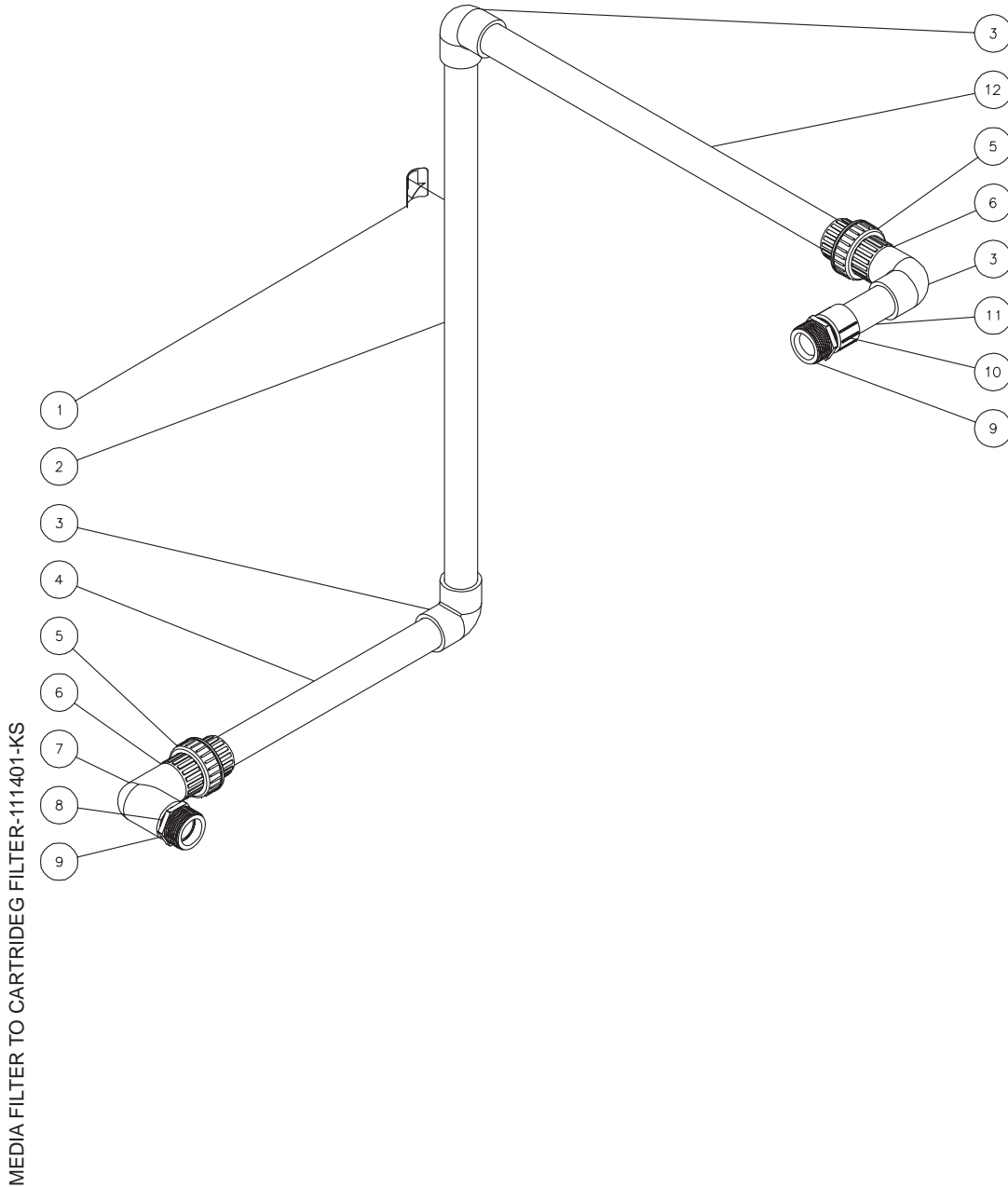
MULTI-MEDIA FILTER ASSEMBLY



MULTI-MEDIA FILTER ASSY-051704-ASY

MULTI-MEDIA FILTER ASSEMBLY							
REF. #	DESCRIPTION	PART#	QTY.	REF. #	DESCRIPTION	PART#	QTY.
1	Cord Set	32-0786	1	12	Lateral Assembly	55-0045	8
2	Pressure Switch	22-0383	1	13	Standpipe Assembly	55-0066	1
3	Pressure Gauge	22-0284	1	14	Diverter Basket	19-0212	1
4	Tee	23-0127	1	15	O-ring	25-0520	1
5	Decal- Multi-Media Filter	34-0874	1	16	Clamp	42-0043	1
6	Strap Assembly	33-0315	1	17	Valve	55-0065	1
7	Lag Bolt	27-5277	4	18	Media Filter w/Valve	19-0541	1
8	Washer	28-0121	4		Gravel (100 lb bag)	33-0303	3
9	Tap Screw	27-5278	3		Garnet- #12 (100 lb bag)	33-0304	2
10	Media Filter Base	19-0223	1		Garnet- #50 (100 lb bag)	33-0305	3
11	Tank	N/A	1		Filter Ag (25 lb bag)	33-0306	4
*Must Order in One Foot Lengths							

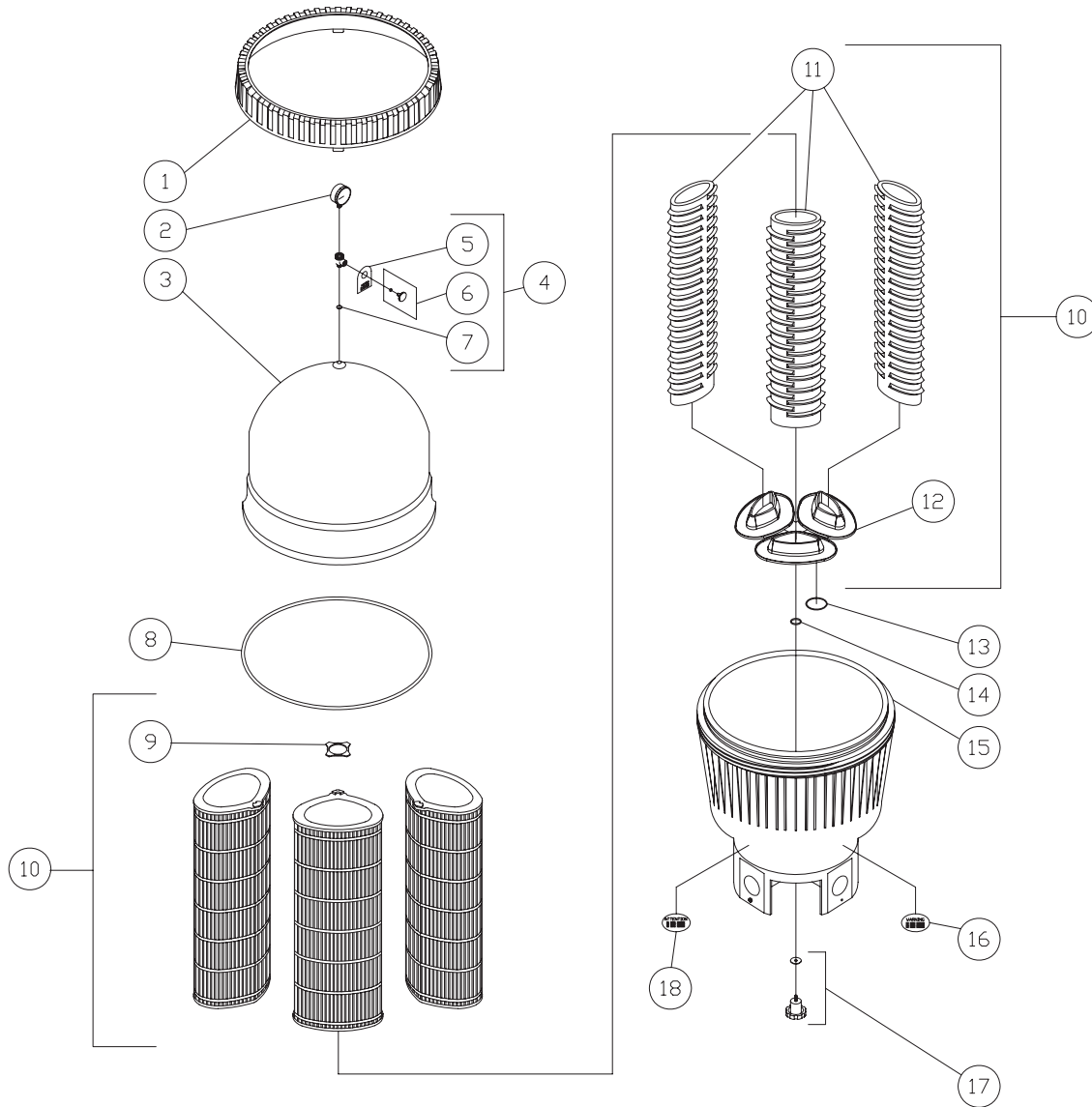
PLUMBING: MULTI-MEDIA TO CARTRIDGE FILTER



MEDIA FILTER TO CARTRIDGE FILTER-111401-KS

PLUMBING: MULTI-MEDIA FILTER TO CARTRIDGE FILTER			
REF. #	DESCRIPTION	PART#	QTY.
1	Decal- Arrow (See 34-9010)	N/A Sep.	1
2	Pipe *(1-1/2" x 39-5/8")	55-1600	1
3	Elbow	55-1609	3
4	Pipe *(1-1/2" x 19-7/8")	55-1600	1
5	Union (Inc. 25-0448)	55-1645	2
-	O-ring	25-0448	2
6	Pipe *(1-1/2" x 2-3/4")	55-1600	2
7	Elbow	55-1610	1
8	Nipple	55-1674	1
9	Reducer Bushing	55-1833	2
10	Adapter- Male	55-1622	1
11	Pipe *(1-1/2" x 6")	55-1685	1
12	Pipe *(1-1/2" x 30-3/4")	55-1600	1
	Safety Decal Kit (Inc. 1)	34-9010	
*Must Order in One Foot Lengths			

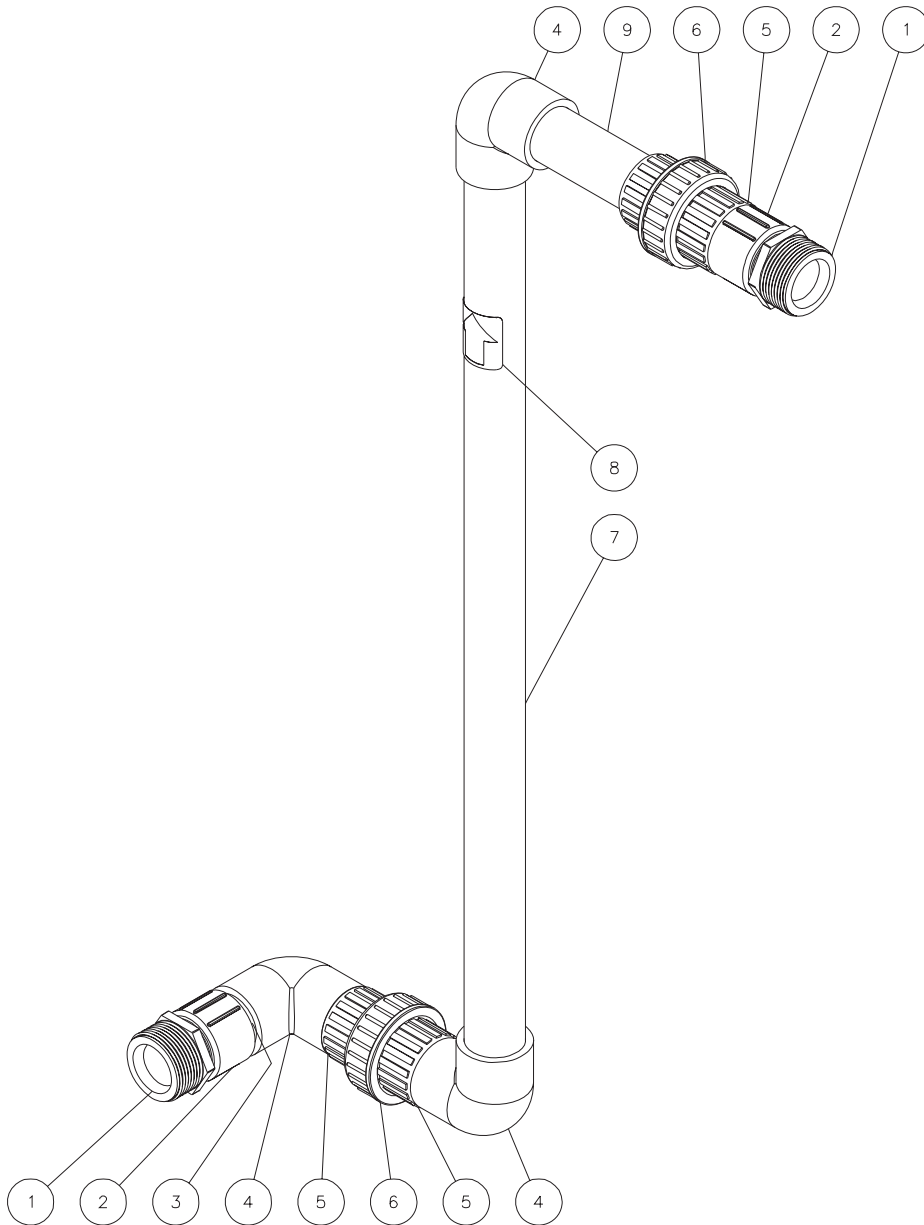
CARTRIDGE FILTER (19-0601)



19-0601-070606-PJH

CARTRIDGE FILTER (19-0601)			
REF. #	DESCRIPTION	PART#	QTY.
1	Nut	19-0519	1
2	Pressure Gauge	22-0285	1
3	Cartridge Filter Top	19-0520	1
4	Valve Assembly (Includes 5-7)	19-0607	1
5	Decal- Caution: Air Vent	34-0959	1
6	Knob w/ O-ring	19-0517	1
7	O-ring	25-0123	1
8	O-ring	25-0453	1
9	Retainer Ring	19-0608	1
10	Filter (Inc. 9, 11-12)	19-0098	3
11	Filter Support	19-0522	3
12	Manifold- Filter Support	19-0524	1
13	O-ring- Manifold Large	25-0454	1
14	O-ring- Manifold Small	25-0455	1
15	Cartridge Filter Base	19-0525	1
16	Decal- Warning: High Pressure	34-0960	1
17	Manifold Knob w/ Washer	7-0155	1
18	Decal- Attention: Reassembly Filter	34-0961	1

PLUMBING: CARTRIDGE FILTER TO POLISHING FILTER

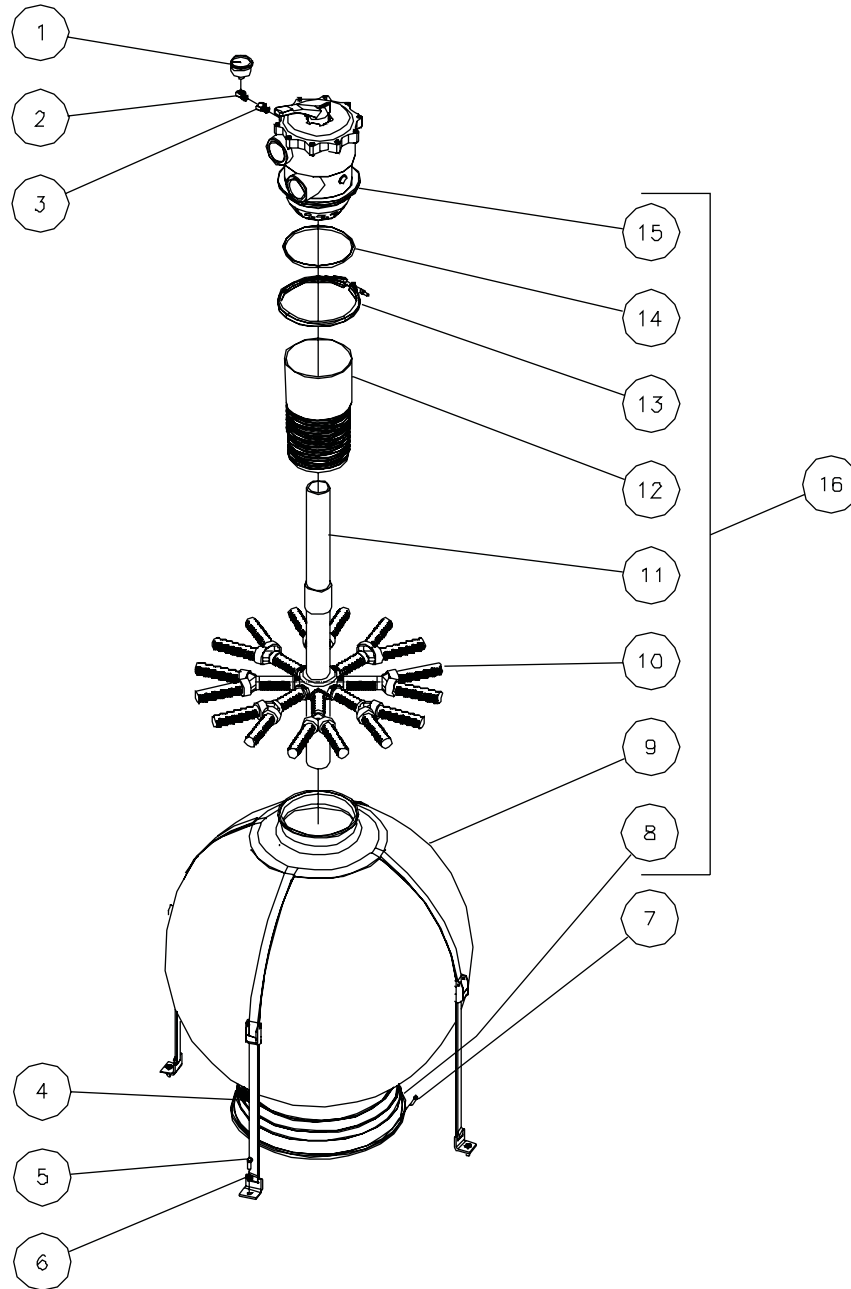


CARTRIDGE FILTER TO POLISHING FILTER-111401-KS

PLUMBING: CARTRIDGE FILTER TO POLISHING FILTER			
REF. #	DESCRIPTION	PART#	QTY.
1	Reducer Bush	55-1833	2
2	Adapter- Male	55-1622	2
3	Pipe *(1-1/2" x 3-1/8")	55-1600	2
4	Elbow	55-1609	3
5	Pipe *(1-1/2" x 2-3/4")	55-1600	3
6	Union (Inc. 25-0448)	55-1645	2
-	O-ring	25-0448	2
7	Pipe *(1-1/2" x 36")	55-1600	1
8	Decal- Arrow (See 34-9010)	N/A Sep.	1
9	Pipe *(1-1/2" x 7")	55-1685	1
	Safety Decal Kit (Inc. 8)	34-9010	
*Must Order in One Foot Lengths			

CARTRIDGE FILTER TO POLISHING FILTER-111401-KS

POLISHING FILTER ASSEMBLY

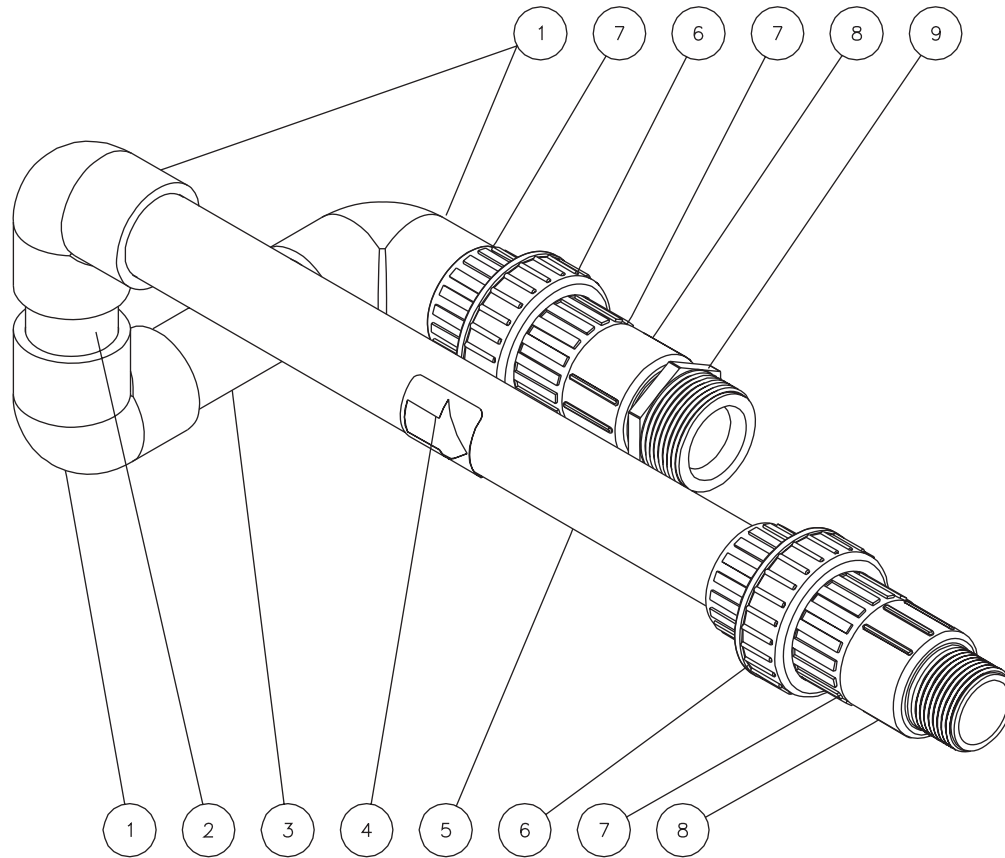


POLISHING FILTER-102301-KS

POLISHING FILTER ASSEMBLY			
REF. #	DESCRIPTION	PART#	QTY.
1	Pressure Gauge	22-0284	1
2	Elbow	23-0014	1
3	Adapter	23-0126	1
4	Strap Assembly	33-0315	1
5	Lag Bolt	27-5277	4
6	Washer	28-0121	4
7	Tap Screw	27-5278	3
8	Base	N/A	1
9	Tank	N/A	1
10	Lateral Assembly	55-0044	8
11	Standpipe Assembly	55-0067	1
12	Diverter Basket	19-0213	1
13	Clamp	42-0043	1
14	O-ring	25-0520	1
15	Valve	55-0065	1
16	Media Filter w/Valve	19-0540	1
	Activated Carbon (55 lb bag)	33-0302	3

POLISHING FILTER ASSY-103201-KS

PLUMBING: POLISHING FILTER TO PRODUCT TANK

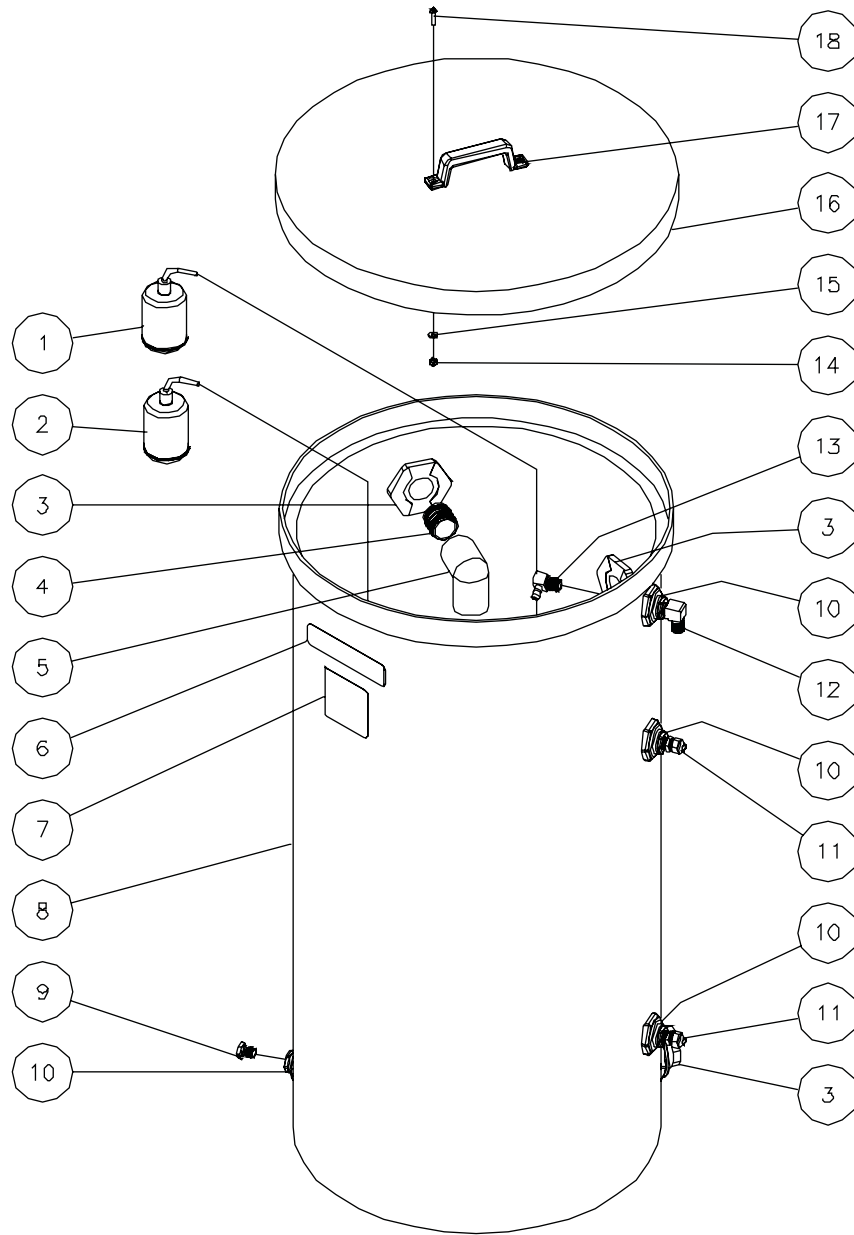


POLISHING FITLER TO PRODUCT TANK PLUMBING-070601-KS

POLISHING FILTER TO PRODUCT TANK-070601-KS

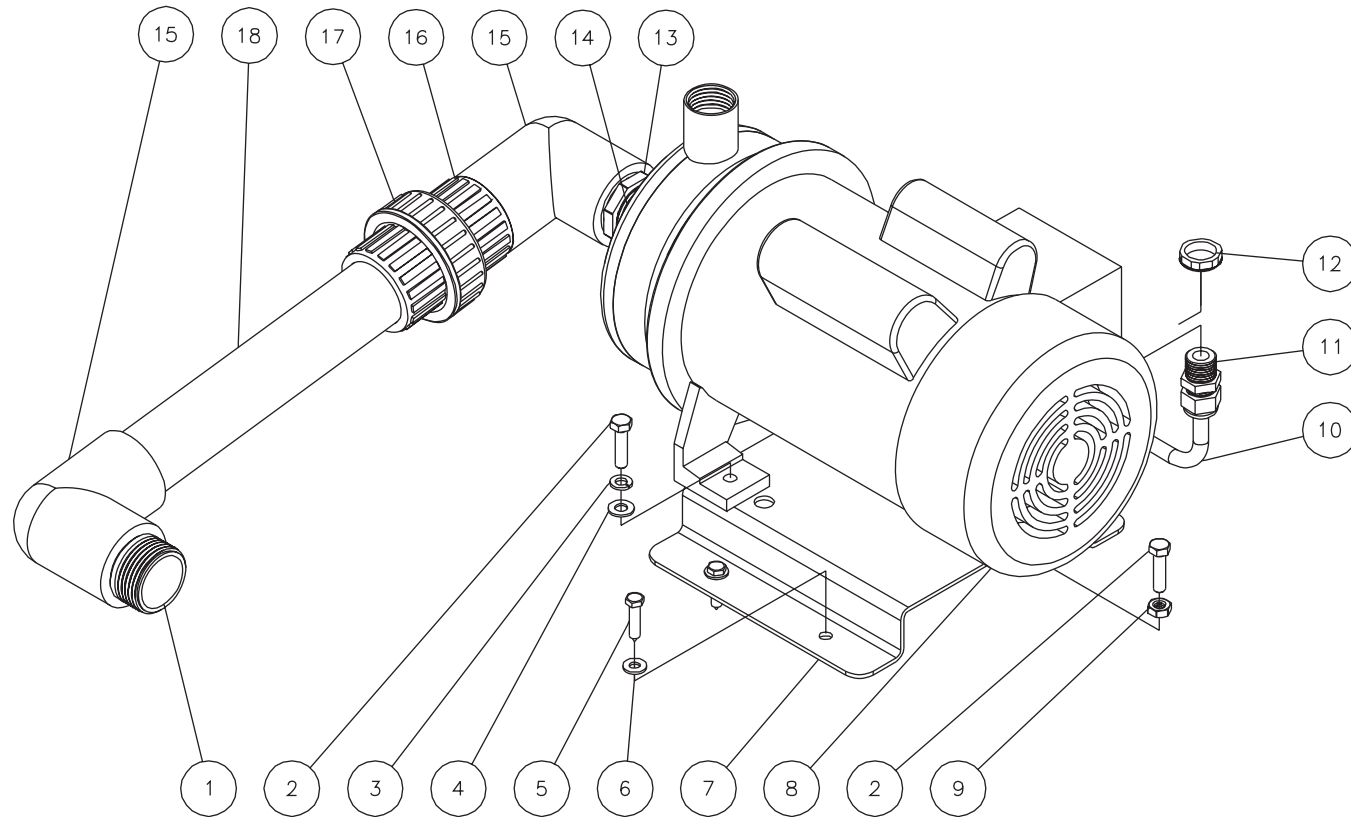
PLUMBING: POLISHING FILTER TO PRODUCT TANK			
REF. #	DESCRIPTION	PART#	QTY.
1	Elbow	55-1609	3
2	Pipe *(1-1/2" x 4")	55-1600	1
3	Pipe *(1-1/2" x 6-1/4")	55-1685	1
4	Decal- Arrow (See 34-9010)	N/A Sep.	1
5	Pipe *(1-1/2" x 19-1/2")	55-1600	1
6	Union (Inc. 25-0448)	55-1645	2
-	O-ring	25-0448	2
7	Pipe *(1-1/2" x 2-3/4")	55-1600	3
8	Adapter- Male	55-1622	2
9	Reducer Bushing	55-1833	1
	Safety Decal Kit (Inc. 4)	34-9010	
*Must Order in One Foot Lengths			

PRODUCT TANK ASSEMBLY



PRODUCT TANK ASSEMBLY							
REF. #	DESCRIPTION	PART#	QTY.	REF. #	DESCRIPTION	PART#	QTY.
1	Float	32-0664	1	11	Strain Relief	32-0437	2
2	Float	32-0663	1	12	Elbow	23-0363	1
3	Bulkhead Fitting (Inc. 25-0481)	55-1686	3	13	Elbow	23-0053	1
-	Gasket	25-0481	3	14	Locknut	30-5155	2
4	Nipple	55-1674	1	15	Washer	28-0121	2
5	Elbow	55-1610	1	16	Cover	12-0097	1
6	Decal- Product Tank (See 34-9010)	N/A Sep.	1	17	Handle	7-0164	1
7	Decal- Caution: Nonpotable Water (See 34-9010)	N/A Sep.	1	18	Screw	27-5018	2
8	Verical Tank	12-0094	1		Safety Decal Kit (Inc. 6, 7)	34-9010	
9	Plug	55-0840	1	*Must Order in One Foot Lengths			
10	Bulkhead Fitting (Inc. 25-0506)	55-0886	4				
-	Gasket	25-0506	4				

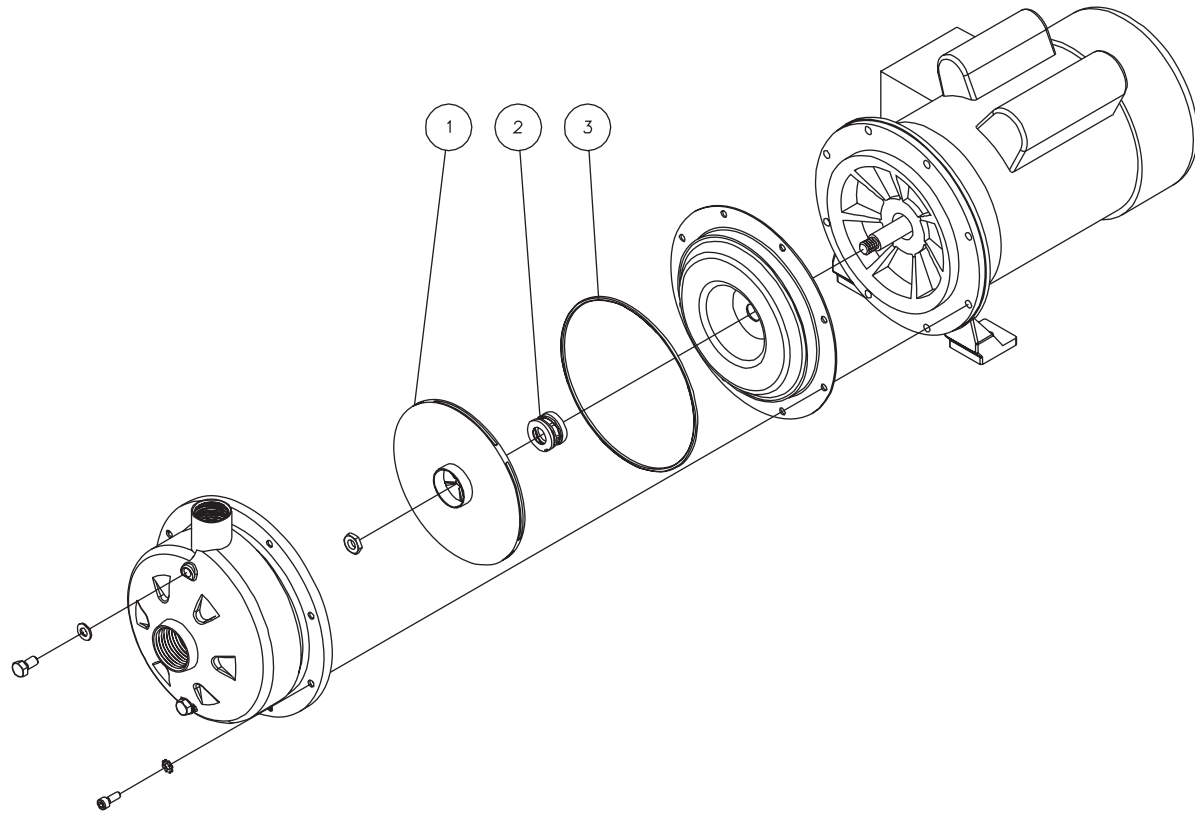
TRANSFER PUMP ASSEMBLY



TRANSFER PUMP ASSY-111901-KS

TRANSFER PUMP ASSEMBLY							
REF. #	DESCRIPTION	PART#	QTY.	REF. #	DESCRIPTION	PART#	QTY.
1	Nipple	55-1674	1	12	Locknut	32-0108	1
2	Screw	27-8963	3	13	Reducer Bushing	55-1633	1
3	Lockwasher	29-1007	2	14	Nipple	55-1474	1
4	Washer	28-0122	2	15	Elbow	55-1610	2
5	Lag Bolt	27-5277	4	16	Pipe *(1-1/2" x 2-3/4")	55-1600	1
6	Washer	28-0121	4	17	Union (Inc. 25-0448)	55-1645	1
7	Ozone/Transfer Pump Hat	21-0140	1	-	O-ring	25-0448	1
8	Transfer Pump	3-0218	1	18	Pipe *(1-1/2" x 12")	55-1600	1
9	Nut	30-0004	1		Terminal- 14 GA	32-0003	1
10	Cord *(Ten Feet Required)	32-0074	1		Crimped Wire Splice	32-0359	2
11	Strain Relief	32-0437	1	*Must Order in One Foot Lengths			

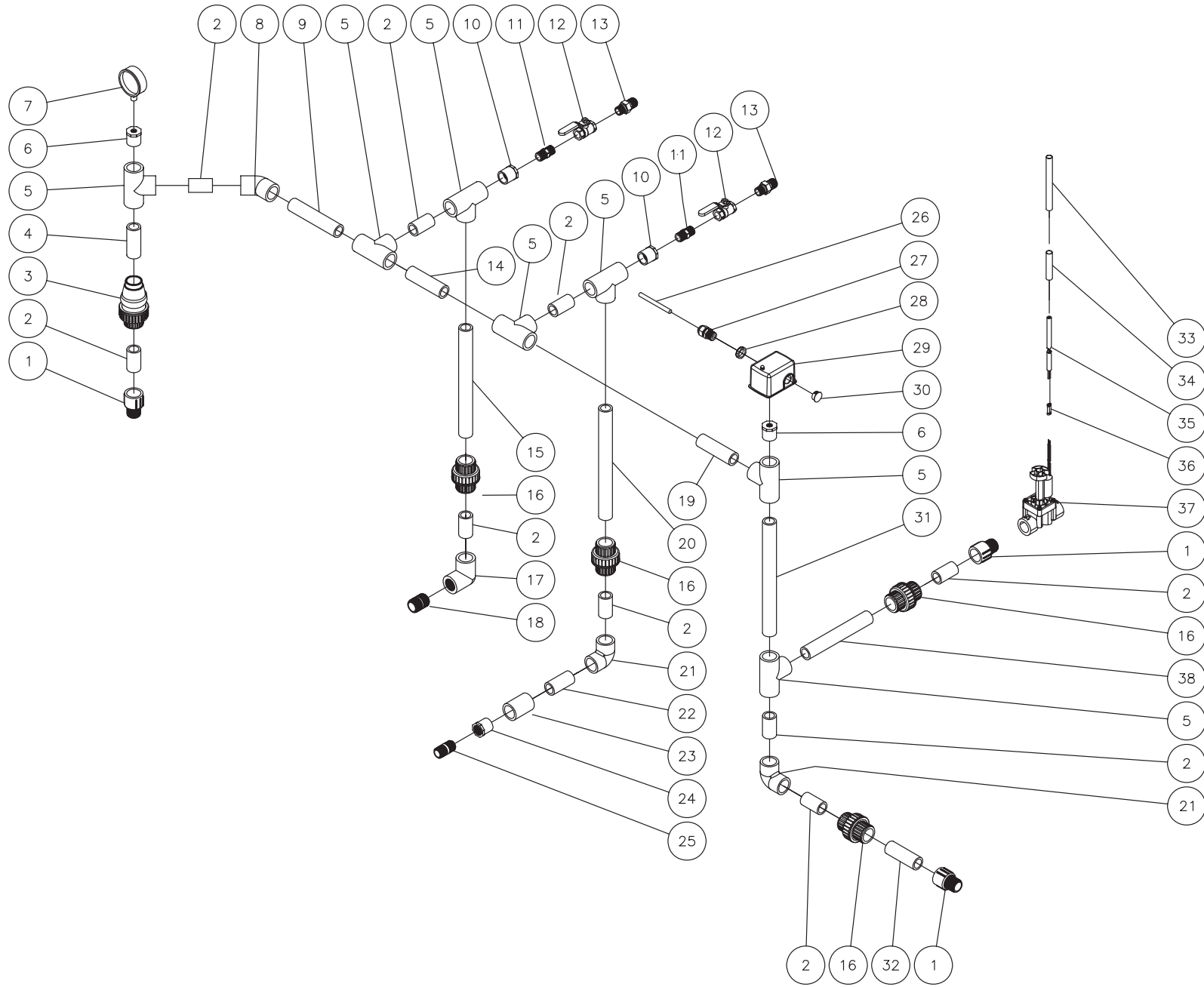
TRANSFER PUMP (3-0218)



3-0218-070202-KS

TRANSFER PUMP (3-0218)			
REF. #	DESCRIPTION	PART #	QTY.
1	Impeller	46-1073	1
2	Seal	26-0266	1
3	O-ring	25-0540	1
	Complete Transfer Pump	3-0218	

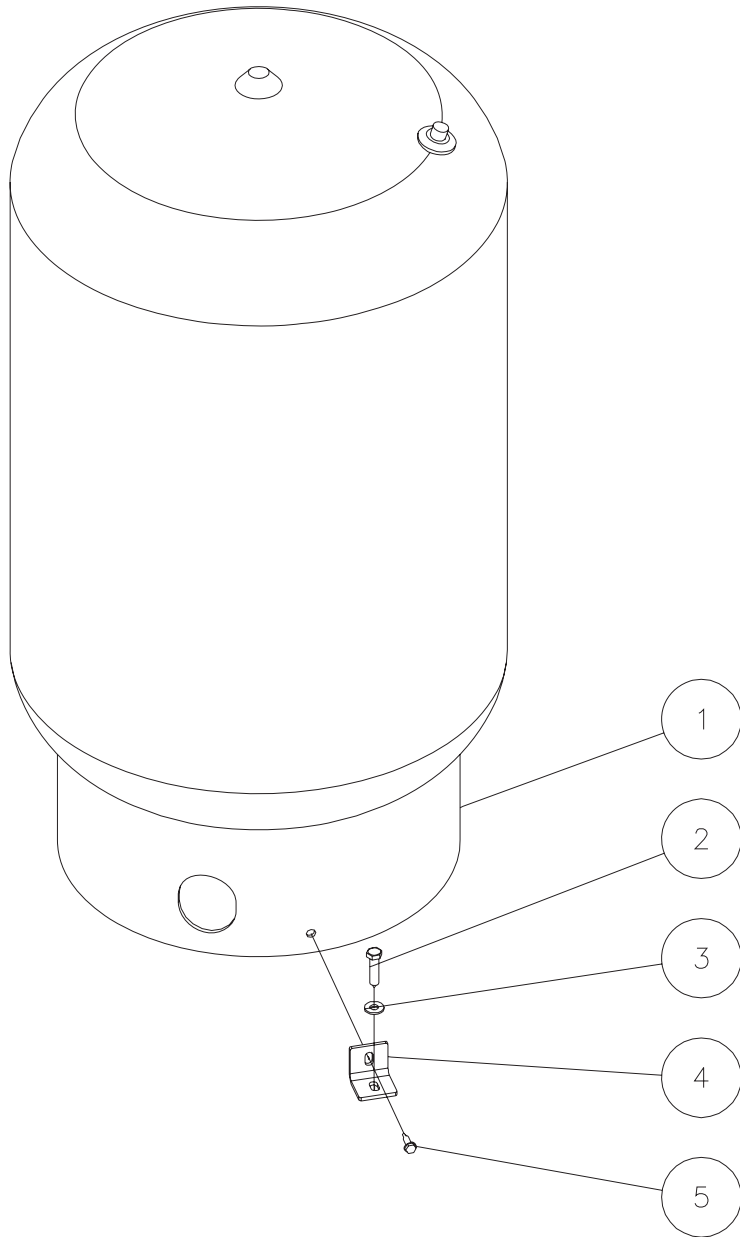
PLUMBING: TRANSFER PUMP MANIFOLD



TRANSFER PUMP MANIFOLD-081805-ASY

PLUMBING: TRANSFER PUMP MANIFOLD							
REF. #	DESCRIPTION	PART#	QTY.	REF. #	DESCRIPTION	PART#	QTY.
1	Adapter- Male	55-1222	3	20	Pipe *(1" x 12-1/2")	55-1200	1
2	Pipe *(1" x 2-1/4")	55-1200	9	21	Elbow	55-1209	2
3	Ball Check Valve	55-1252	1	22	Pipe *(1" x 2-3/4")	55-1200	1
4	Pipe *(1" x 3-1/4")	55-1200	1	23	Coupler	55-1214	1
5	Tee	55-1201	7	24	Reducer Bushing	55-1228	1
6	Reducer Bushing	55-1231	2	25	Nipple	55-1076	1
7	Pressure Gauge	22-0305	1	26	Cord *(Four Feet Required)	32-0075	1
8	Elbow	55-1212	1	27	Strain Relief	32-0437	1
9	Pipe *(1" x 6-1/8")	55-1200	1	28	Locknut	32-0108	1
10	Reducer Bushing	55-1229	2	29	Pressure Switch	22-0304	1
11	Nipple	23-0012	2	30	Plug	39-0014	1
12	Ball Valve	22-0278	2	31	Pipe *(1" x 12-7/8")	55-1200	1
13	Nipple	23-0359	2	32	Pipe *(1" x 3-3/4")	55-1200	1
14	Pipe *(1" x 4-1/2")	55-1200	1	33	Heat Shrink *(One Foot Required)	32-0219	1
15	Pipe *(1" x 12-1/4")	55-1200	1	34	Heat Shrink *(One Foot Required)	32-0219	1
16	Union (Inc. 25-0447)	55-1245	4	35	Cord *(Five Feet Required)	32-0075	1
-	O-ring	25-0447	4	36	Connector Butt	32-0122	2
17	Elbow	55-1210	1	37	Diaphragm Valve	55-0102	1
18	Nipple	55-1274	1	38	Pipe *(1" x 8-3/8")	55-1200	1
19	Pipe *(1" x 4")	55-1200	1		Terminal- 14 GA	32-0003	2
*Must Order in One Foot Lengths							

PRESSURE TANK ASSEMBLY

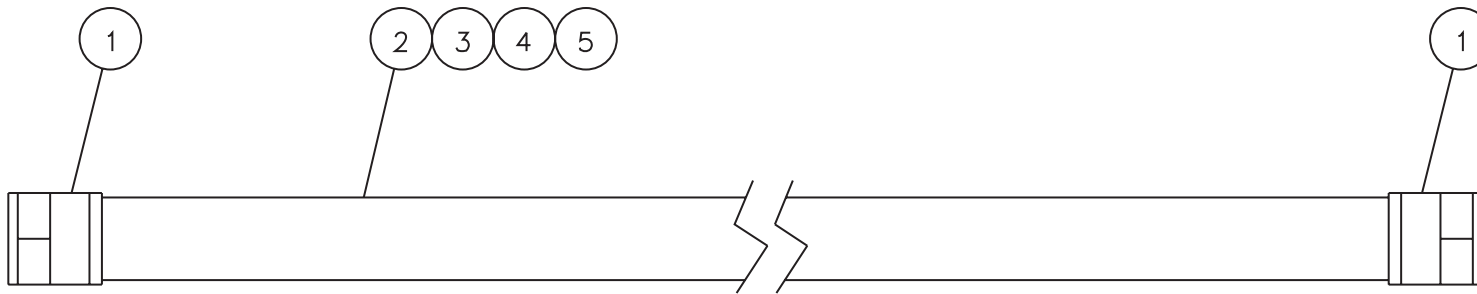


PRESSURE TANK ASSY-091802-KS

PRESSURE TANK ASSY-091802-KS

PRESSURE TANK ASSEMBLY (BEFORE SERIAL #30000122)			
REF. #	DESCRIPTION	PART#	QTY.
1	Vertical Pressure Tank	12-0081	1
2	Lag Bolt	27-5277	3
3	Washer	28-0121	3
4	Pressure Tank Hold Down Bracket	21-0127	3
5	Screw	27-3064	3

HOSE ASSEMBLIES

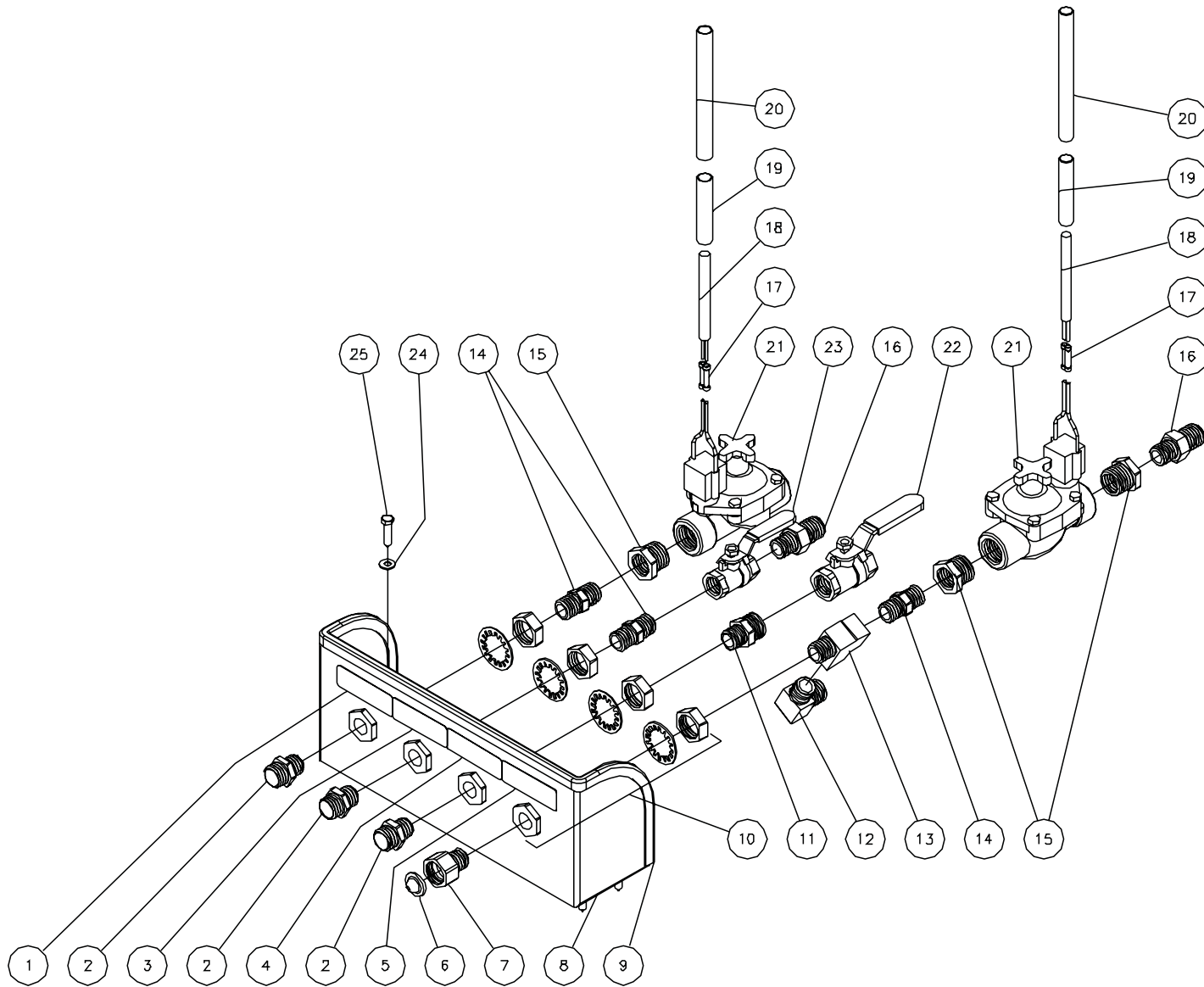


HOSE ASSY-071001-KS

HOSE ASSEMBLIES				
REF. #	HOSE CONNECTION #	DESCRIPTION	PART#	QTY.
1	-	Hose Barb	23-0358	8
2	H 2	Fresh Water Make-up Hose *(Five Feet Required)	15-0033	1
3	H 3	Clarifier Drain Clean-out Hose *(Five Feet Required)	15-0033	1
4	H 4	Clarifier Tank Clean-out Hose *(Three Feet Required)	15-0033	1
5	H 1	Pressure Washer Hose *(Two Feet Required)	15-0033	1
*Must Order in One Foot Lengths				

HOSE ASSY-071001-KS

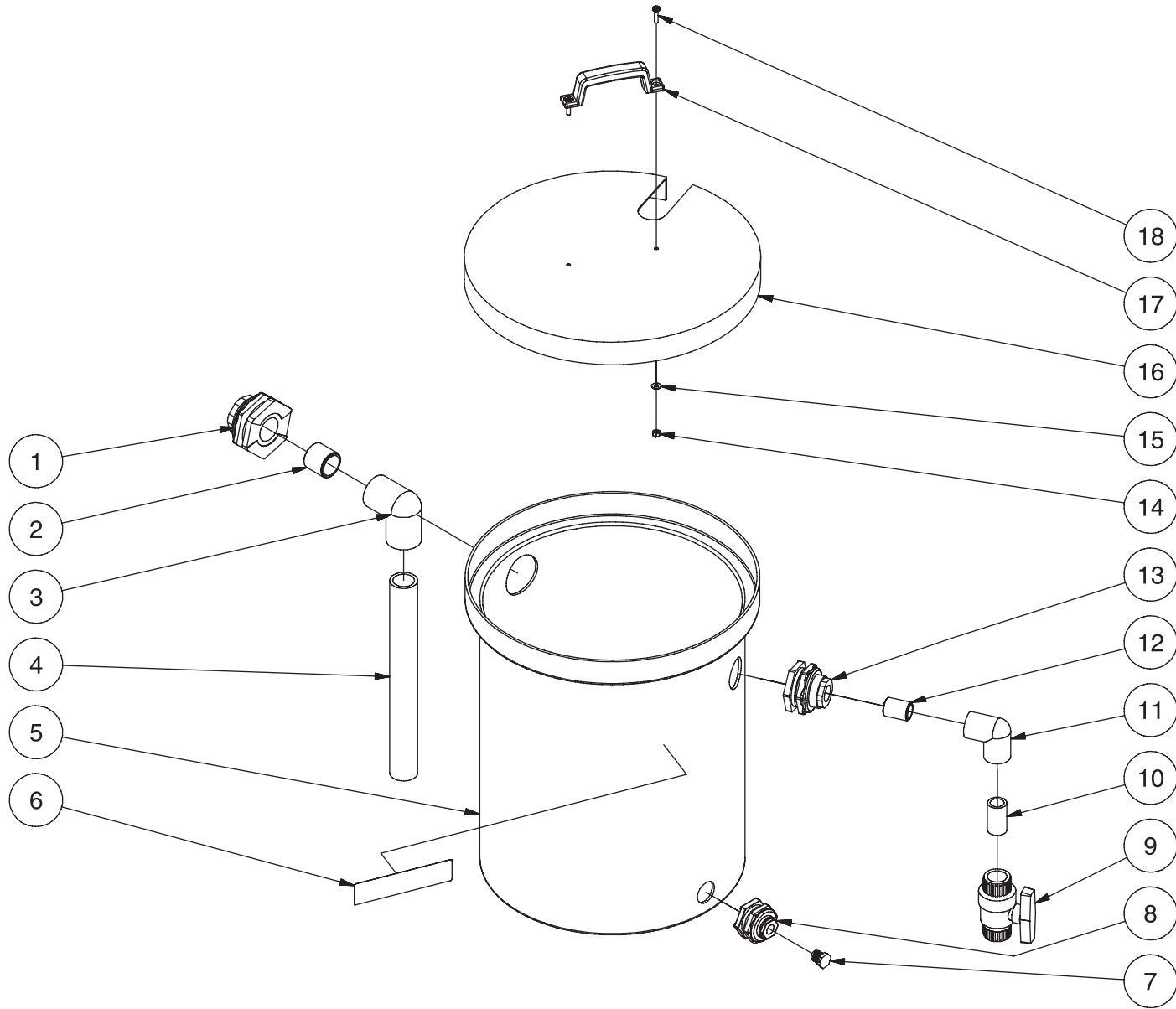
MANIFOLD ASSEMBLY



MANIFOLD ASSY-102201-KS

MANIFOLD ASSEMBLY							
REF. #	DESCRIPTION	PART#	QTY.	REF. #	DESCRIPTION	PART#	QTY.
1	Decal- Rainwater Overflow (See 34-9010)	N/A Sep.	1	14	Nipple	23-0012	3
2	Adapter	23-0136	3	15	Reducer Bushing	55-1234	3
3	Decal- Rinse Water Outlet (See 34-9010)	N/A Sep.	1	16	Nipple	23-0359	2
4	Decal- Pressure Washer Outlet (See 34-9010)	N/A Sep.	1	17	Connector Butt	32-0122	4
5	Decal- Fresh Water Inlet (See 34-9010)	N/A Sep.	1	18	Cord *(Five Feet Required)	32-0075	2
6	Inlet Washer Filter	19-0001	1	19	Heat Shrink *(One Foot Required)	33-0219	2
7	Garden Hose Swivel	23-0095	1	20	Heat Shrink *(One Foot Required)	33-0219	2
8	Free Standing Manifold Bracket	21-0116	1	21	Diaphragm Valve	55-0019	2
9	Edging *(Three Feet Required)	33-0020	1	22	Ball Valve	22-0279	1
10	Tank Adapter	23-0365	4	23	Ball Valve	22-0278	1
11	Nipple	23-0082	1	24	Washer	28-0121	4
12	Elbow	23-0363	1	25	Lag Bolt	27-5277	4
13	Tee	23-0124	1		Safety Decal Kit (Inc. 1, 3-5)	34-9010	
*Must Order in One Foot Lengths							

OIL DECANTER ASSEMBLY (AFTER SERIAL #30000122)

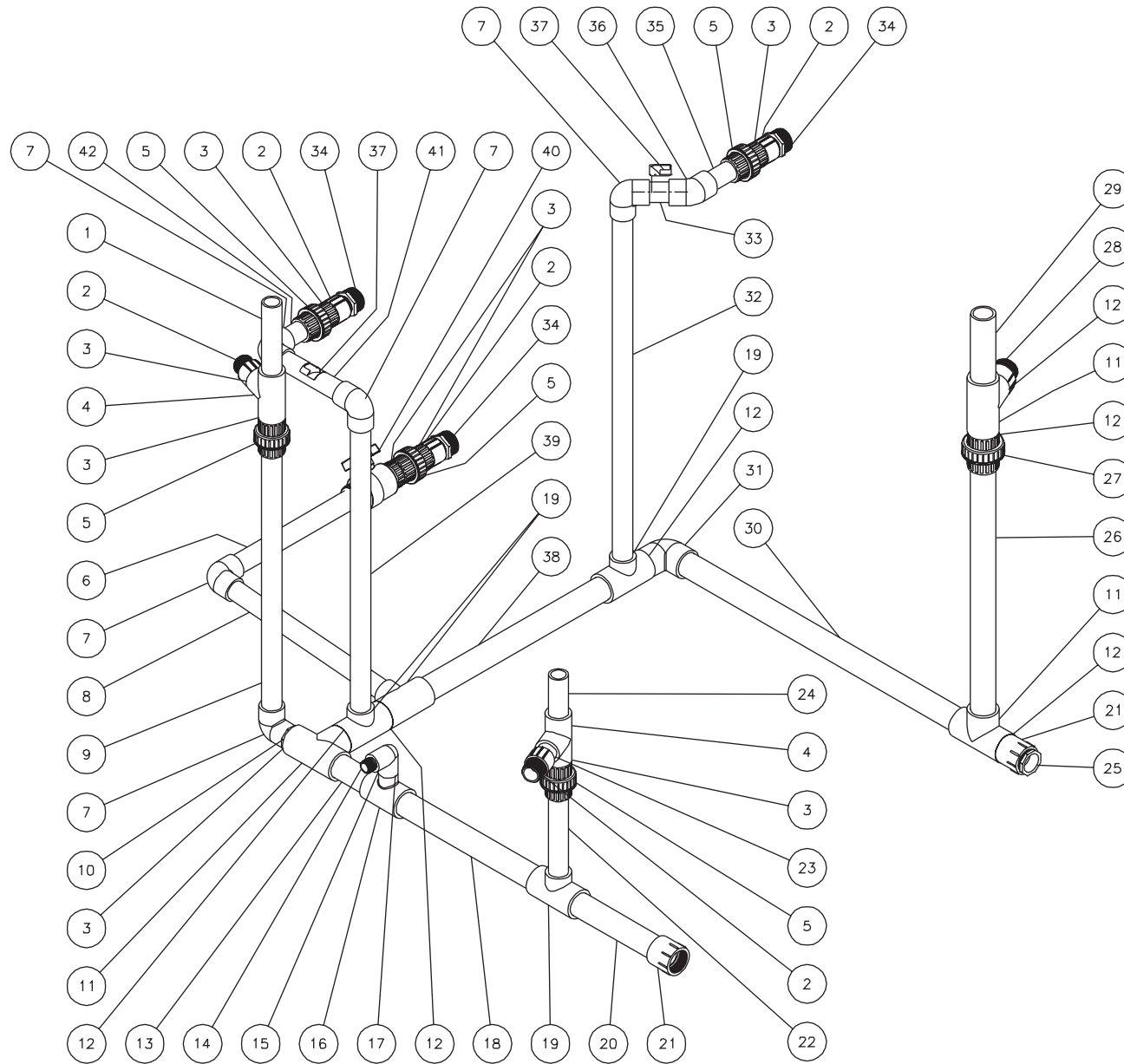


OIL DECANTER ASSY-020805-ASY

OIL DECANTER ASSY-020805-ASY

OIL DECANTER ASSEMBLY (AFTER SERIAL #30000122)							
REF. #	DESCRIPTION	PART#	QTY.	REF. #	DESCRIPTION	PART#	QTY.
1	Bulkhead Fitting (Inc. 25-0481)	55-1686	1	10	Pipe *(1" x 2-1/4")	55-1200	1
-	Gasket	25-0481	1	11	Elbow	55-1210	1
2	Nipple	55-1674	1	12	Nipple	55-1274	1
3	Elbow	55-1610	1	13	Bulkhead Fitting (Inc. 25-0482)	55-1286	1
4	Pipe *(1-1/2" x 16")	55-1600	1	-	Gasket	25-0482	1
5	Replacement Tank w/Holes	12-0093	1	14	Locknut	30-5155	2
6	Decal- Oil Decanter (See 34-9010)	N/A Sep.	1	15	Washer	28-0121	2
7	Plug	55-0840	1	16	Decanter Lid	12-0096	1
8	Bulkhead Fitting (Inc. 25-0506)	55-0886	1	17	Handle	7-0164	1
-	Gasket	25-0506	1	18	Screw	27-5018	2
9	Ball Valve	55-1255	1		Safety Decal Kit (Inc. 6)	34-9010	
*Must Order in One Foot Lengths							

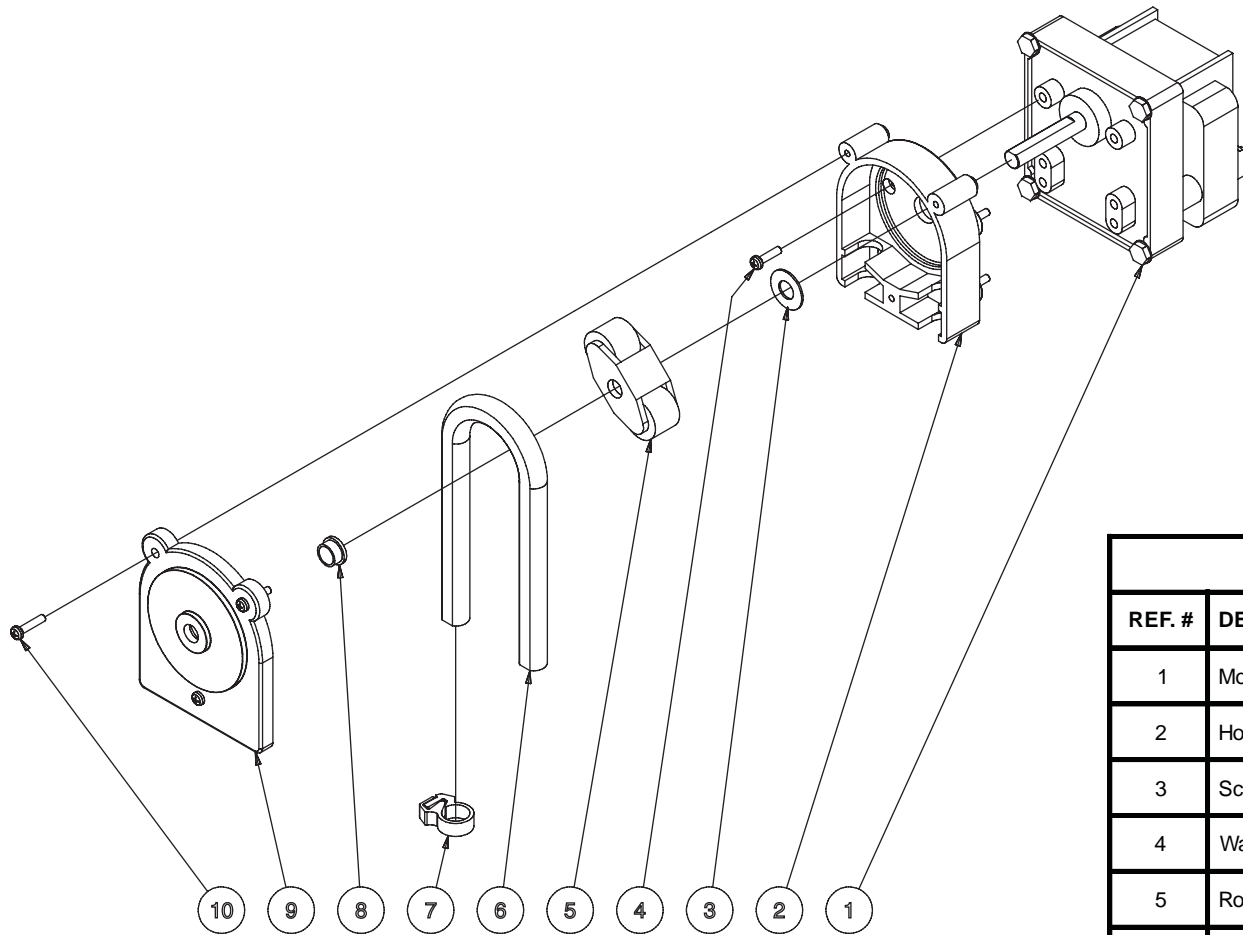
PLUMBING: DRAIN LINE ASSEMBLY



DRAIN LINE ASSY-111901-KS

PLUMBING: DRAIN LINE ASSEMBLY							
REF. #	DESCRIPTION	PART#	QTY.	REF. #	DESCRIPTION	PART#	QTY.
1	Pipe *(1-1/2" x 9-3/8")	55-1600	1	23	Pipe *(1-1/2" x 4-1/8")	55-1600	1
2	Adapter- Male	55-1622	5	24	Pipe *(1-1/2" x 6")	55-1600	1
3	Pipe *(1-1/2" x 2-3/4")	55-1600	8	25	Plug	55-1840	1
4	Tee	55-1601	2	26	Pipe *(2" x 31")	55-1800	1
5	Union (Inc. 25-0448)	55-1645	5	27	Union (Inc. 25-0449)	55-1845	1
-	O-ring	25-0448	5	-	O-ring	25-0449	1
6	Pipe *(1-1/2" x 17-3/4")	55-1600	1	28	Adapter- Male	55-1822	1
7	Elbow	55-1609	5	29	Pipe *(2" x 9")	55-1800	1
8	Pipe *(1-1/2" x 22-1/8")	55-1600	1	30	Pipe *(2" x 39-1/4")	55-1800	1
9	Pipe *(1-1/2" x 31-3/4")	55-1600	1	31	Elbow	55-1809	1
10	Reducer Bushing	55-1823	1	32	Pipe *(1-1/2" x 41-1/4")	55-1600	1
11	Tee	55-1801	3	33	Pipe *(1-1/2" x 5-3/4")	55-1600	1
12	Pipe *(2" x 3")	55-1800	6	34	Reducer Bushing	55-1833	3
13	Pipe *(2" x 7-1/2")	55-1800	1	35	Pipe *(1-1/2" x 5-3/4")	55-1685	1
14	Nipple	55-1274	1	36	Elbow	55-1612	1
15	Elbow	55-1210	1	37	Decal- Backwash Arrow (See 34-9010)	N/A Sep.	2
16	Tee	55-1804	1	38	Pipe *(2" x 27")	55-1800	1
17	Pipe *(1" x 2-1/4")	55-1200	1	39	Pipe *(1-1/2" x 34-3/8")	55-1600	1
18	Pipe *(2" x 20-7/8")	55-1800	1	40	Ball Valve	55-1655	1
19	Tee	55-1802	4	41	Pipe *(1-1/2" x 10-1/4")	55-1600	1
20	Pipe *(2" x 13-5/8")	55-1800	1	42	Pipe *(1-1/2" x 4-3/4")	55-1685	1
21	Adapter- Female	55-1821	2		Safety Decal Kit (Inc. 37)	34-9010	
22	Pipe *(1-1/2" x 11-1/8")	55-1600	1	*Must Order in One Foot Lengths			

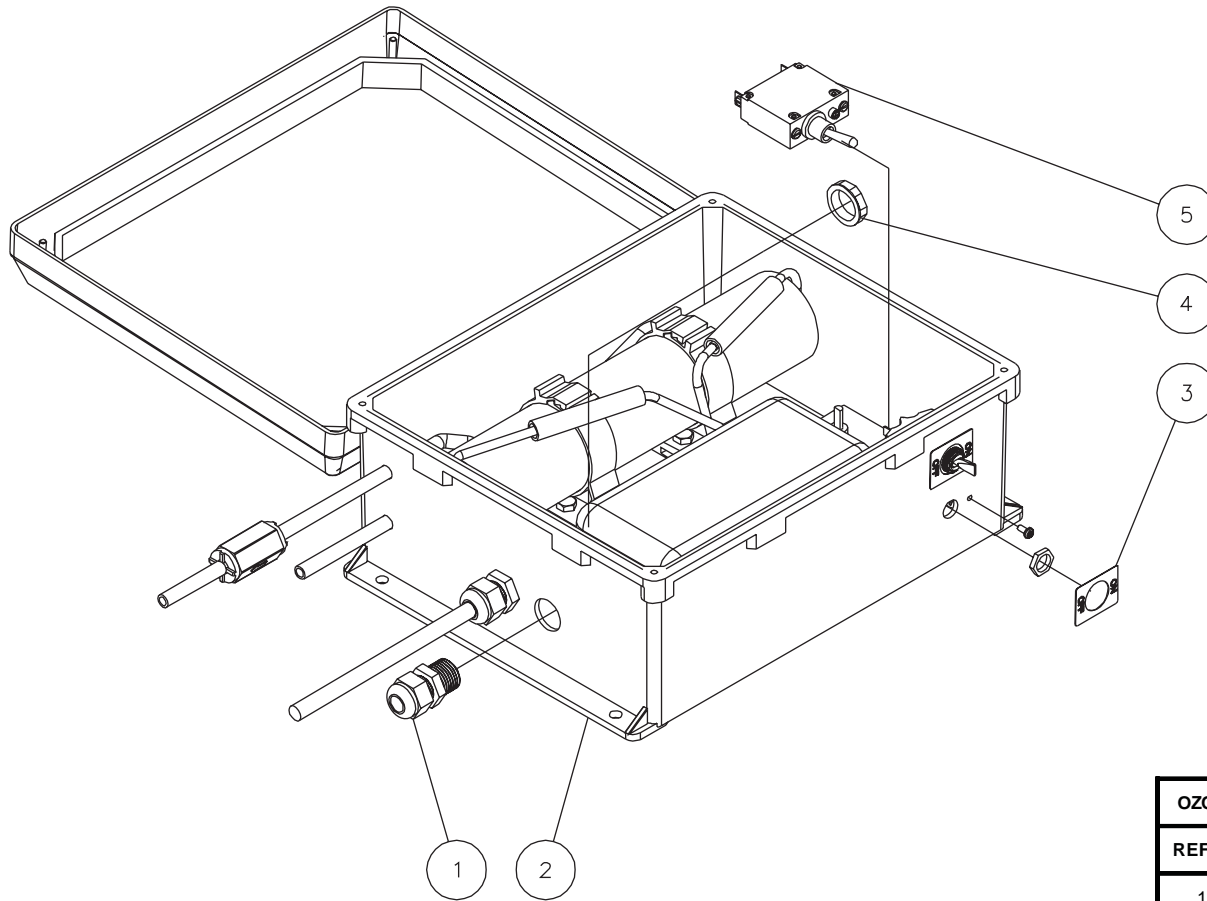
PH/ORP PUMP (3-0182)



3-0182-042604-ASY

PH/ ORP PUMP (3-0182)			
REF. #	DESCRIPTION	PART#	QTY.
1	Motor	N/A	1
2	Housing (See 70-0245)	N/A Sep.	1
3	Screw	27-2771	4
4	Washer (See 70-0245)	N/A Sep.	1
5	Roller Bracket Assembly	46-0830	1
6	Tube	15-0205	1
7	Clamp	42-0028	1
8	Bushing	9-0080	1
9	Pump Cover (See 70-0245)	N/A Sep.	1
10	Screw (See 70-0245)	N/A Sep.	3
	PH/ORP Pump Kit (Includes 2, 4, 5, 9, 10)	70-0245	1
	PH/ORP Pump (Includes 1- 10)	3-0182	1

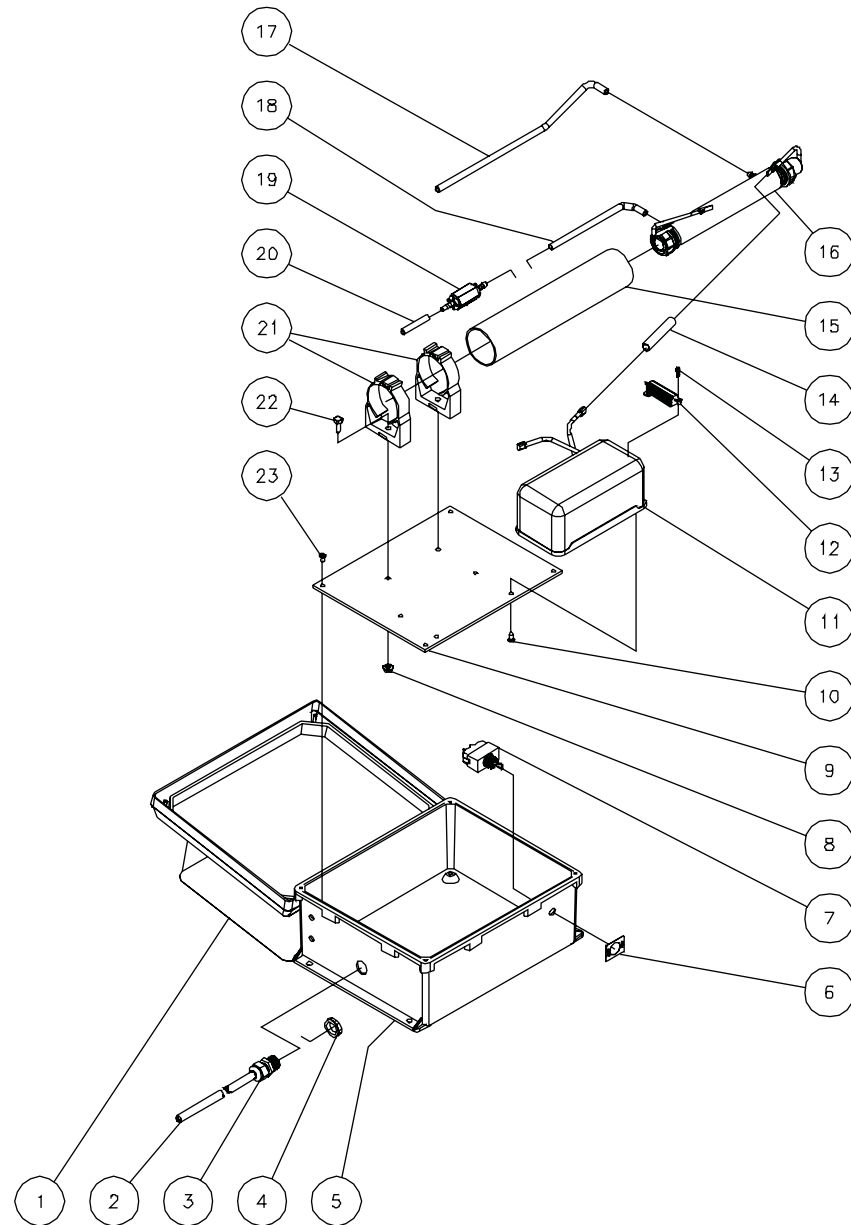
OZONE GENERATOR ASSEMBLY (855-0021)



855-0021-061201-KS

OZONE GENERATOR ASSEMBLY (855-0021) (BEFORE SERIAL #30000122)			
REF. #	DESCRIPTION	PART#	QTY.
1	Strain Relief	32-0437	1
2	Ozone Generator	32-0715	1
3	Decal- On/Off (See 34-9010)	N/A Sep.	1
4	Locknut	32-0108	1
5	Switch	32-0348	1
	Terminal- 14 GA	32-0003	1
	Terminal- 10 GA	32-0034	1
	Safety Decal Kit (Inc. 3)	34-9010	
	Complete Ozone Generator Assembly	855-0021	

OZONE GENERATOR (32-0715)



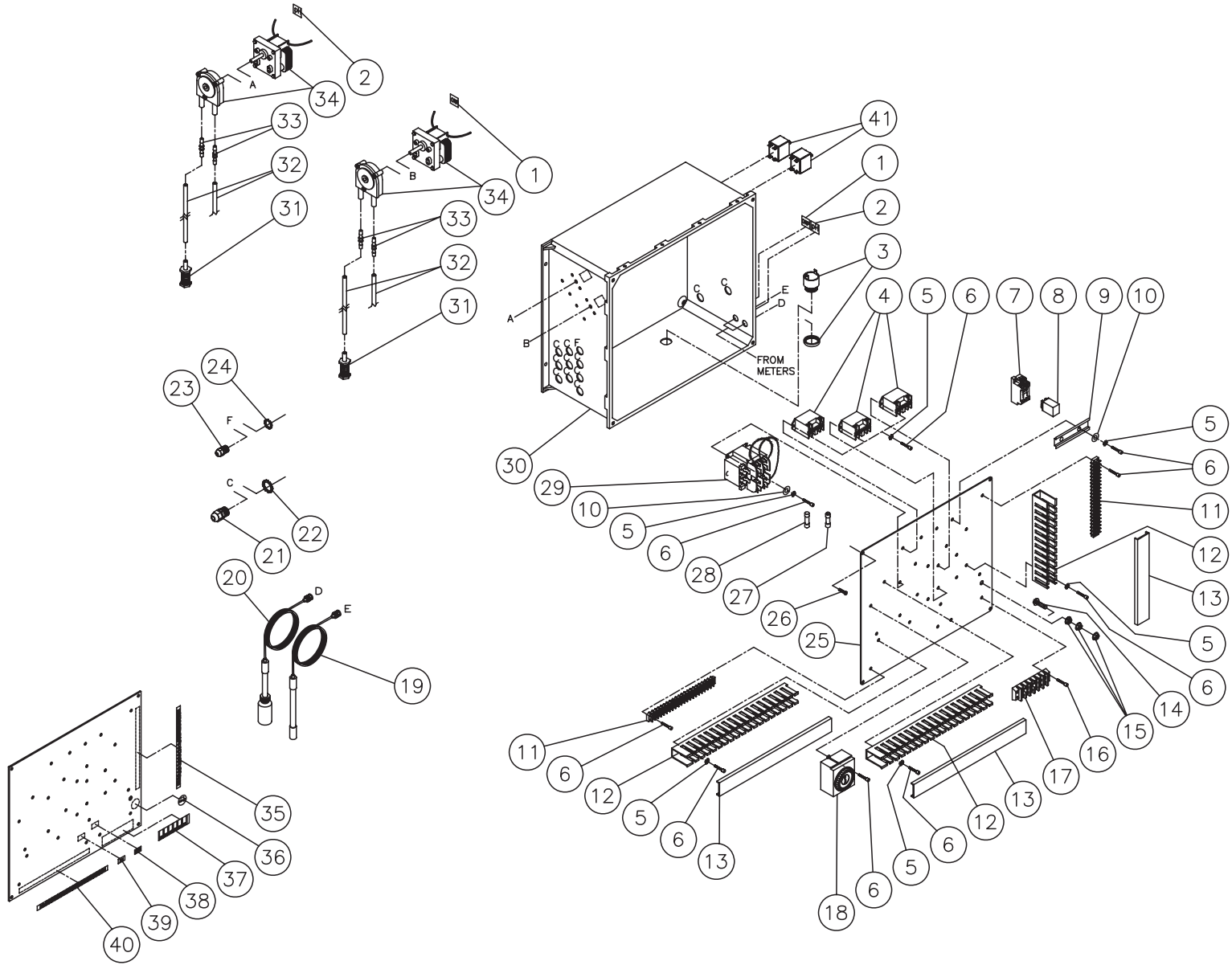
32-0715-120202-KS

OZONE GENERATOR (32-0715)							
REF. #	DESCRIPTION	PART#	QTY.	REF. #	DESCRIPTION	PART#	QTY.
1	Decal- Warning: Risk of Electrocution (See 34-9010)	N/A Sep.	1	16	Generator Assembly	32-0637	1
2	Cord *(Fifteen Feet Required)	32-0074	1	17	Hose *(Five Feet Required)	15-0021	1
3	Strain Relief	32-0437	1	18	Hose *(One Foot Required)	15-0226	1
4	Locknut	32-0108	1	19	Check Valve	22-0286	1
5	Electrical Box w/Holes (Inc. 4 of 27-8933)	32-0712	1	20	Hose *(Four Feet Required)	15-0226	1
6	Decal- On/Off (See 34-9010)	N/A Sep.	1	21	Clamp	42-0040	2
7	Switch/Breaker/Light	32-0713	1	22	Screw	27-5016	2
8	Nut	30-5202	2	23	Screw	27-8933	4
9	Electrical Plate	32-0719	1	-	Terminal	32-0221	3
10	Screw	27-3262	4	-	Crimped Wire Splice	32-0359	3
11	Ozone Transformer	32-0709	1	-	Terminal	32-0564	2
12	Transformer Control	32-0636	1	-	Wire- Black *(One Foot Required)	32-0256	2
13	Self Drill Screw	27-3063	2		Complete Ozone Generator (Inc. 1-23)	32-0715	
14	Insulator *(One Foot Required)	32-0722	2		Safety Decal Kit (Inc. 1, 6)	34-9010	
15	Generator Tube	32-0720	1	*Must Order in One Foot Lengths			

CONTROL PANEL - LID							
REF. #	DESCRIPTION	PART#	QTY.	REF. #	DESCRIPTION	PART#	QTY.
1	Complete pH Meter / Controller (Inc. 2-4)	32-0537	1	19	Lens (Inc. 32-0535)	N/A Sep.	1
2	Gasket (See 32-0537)	N/A Sep.	2	20	Gasket (Inc. 32-0535)	N/A Sep.	1
3	Tightener (See 32-0537)	N/A Sep.	2	21	Bulb	32-0628	1
4	pH meter / Controller (See 32-0537)	N/A Sep.	1	22	Body (See 32-0535)	N/A Sep.	1
5	Complete ORP Meter / Controller (Inc. 2, 3, 6)	32-0539	1	23	Gasket (See 32-0535)	N/A Sep.	1
6	ORP Meter / Controller (See 32-0539)	N/A Sep.	1	24	Retainer Ring (See 32-0535)	N/A Sep.	1
7	Hourmeter	32-0668	1	25	Screw	27-8927	6
8	Bolt	27-8928	2	26	Washer	28-0010	6
9	Locknut	30-8151	2	27	Locknut	30-8152	6
10	Rocker Switch- 240V	32-0552	3	28	Decal- Backwash Controls (See 34-9010)	N/A Sep.	1
11	Switch Gasket	32-0553	6	29	Decal- Backwash Instructions (See 34-9010)	N/A Sep.	1
12	Rocker Switch- 24V	32-0551	3	30	Decal- pH (See 34-9010)	N/A Sep.	1
13	Complete Push Button Switch (Inc. 14-17)	32-0534	1	31	Decal- ORP (See 34-9010)	N/A Sep.	1
14	Push Button (See 32-0534)	N/A Sep.	1	32	Decal- Control Panel Switches (See 34-9010)	N/A Sep.	1
15	Retainer Ring (See 32-0534)	N/A Sep.	1	33	Conduit Lid *(Two Feet Required)	32-0318	1
16	Body (See 32-0534)	N/A Sep.	1	34	Conduit Track *(Two Feet Required)	32-0317	1
17	Switch (See 32-0534)	N/A Sep.	1	35	Electrical Box Lid	32-0543	1
18	Complete Indicator Light (Inc. 19-24)	32-0535	2		Safety Decal Kit (Inc. 28-32)	34-9010	

*Must Order in One Foot Lengths

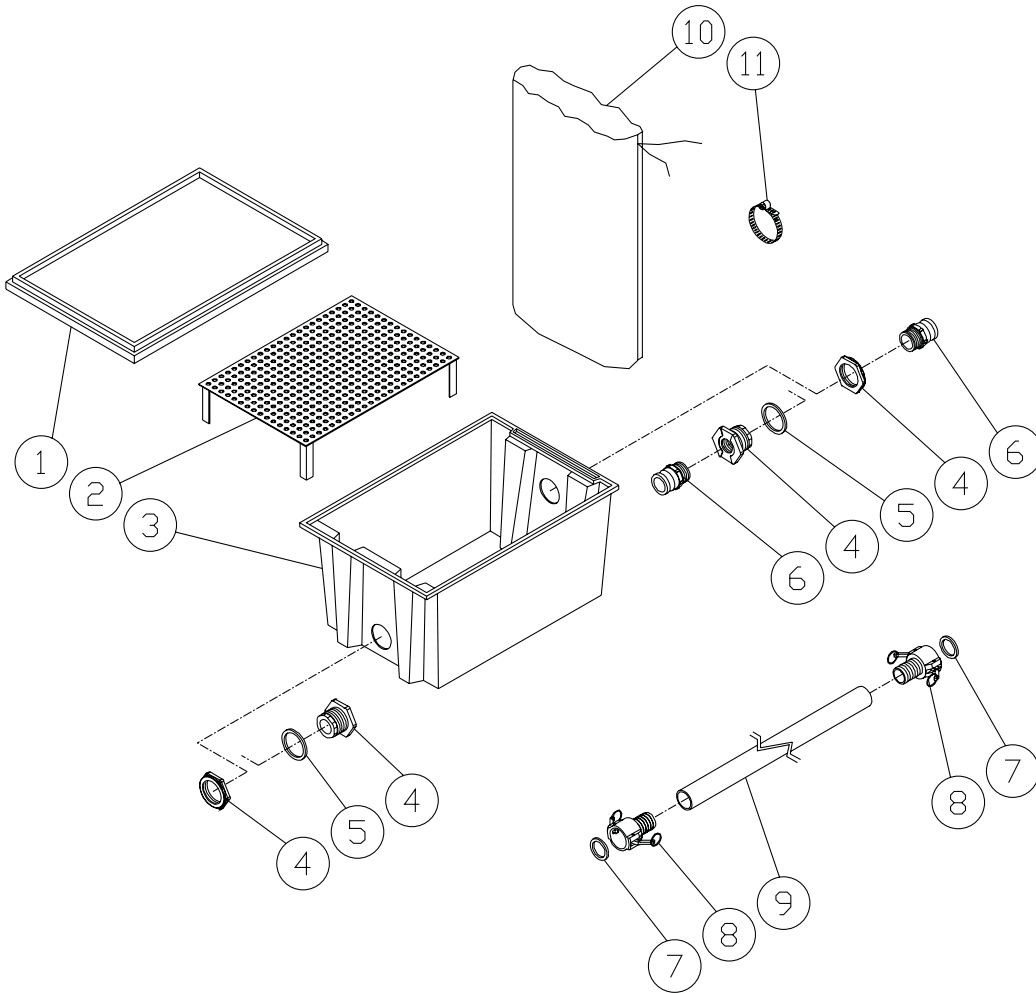
CONTROL PANEL - BASE (AFTER SERIAL #30000151)



CONTROL PNL BASE-022105-ASY

CONTROL PANEL - BASE (AFTER SERIAL #30000151)							
REF. #	DESCRIPTION	PART#	QTY.	REF. #	DESCRIPTION	PART#	QTY.
1	Decal- ORP (See 34-9010)	N/A Sep.	2	23	Strain Relief	32-0586	1
2	Decal- pH (See 34-9010)	N/A Sep.	2	24	Locknut	32-0587	1
3	Audio Buzzer Alarm	32-0560	1	25	Electrical Plate	20-0484A06	1
4	Relay	32-0549	3	26	Screw	27-8933	4
5	Lockwasher	28-1009	18	27	Primary Fuse	32-0467	2
6	Screw	27-8835	24	28	Secondary Fuse	32-0323	1
7	Relay Socket	32-0548	1	29	Transformer	32-0313	1
8	Relay	32-0547	1	30	Electrcial Box w/Holes	N/A	1
9	Din Rail *(One Foot Required)	32-0316	1	31	Strainer w/ Check Valve	19-0056	2
10	Washer	28-0010	4	32	Hose *(Fourty Feet Required)	15-0021	1
11	Terminal Strip	32-0463	2	33	Connector	55-0022	4
12	Conduit Track *(Three Feet Required)	32-0555	1	34	Pump	3-0182	2
13	Conduit Lid *(Three Feet Required)	32-0318	1	35	Decal- Terminal Strip 1-22 (See 34-9010)	N/A Sep.	1
14	Bolt	27-8898	1	36	Decal- Ground (See 34-9010)	N/A Sep.	1
15	Nut	30-3022	3	37	Decal- Terminal Strip 45-50 (See 34-9010)	N/A Sep.	1
16	Screw	27-8930	2	38	Decal- 230V (See 34-9010)	N/A Sep.	1
17	Terminal Block	32-0536	1	39	Decal- 24V (See 34-9010)	N/A Sep.	1
18	Timer	32-0544	1	40	Decal- Terminal Strip 23-44 (See 34-9010)	N/A Sep.	1
19	ORP Probe	32-0540	1	41	Switch	32-0687	2
20	pH Probe	32-0538	1		Wire Ties	33-0022	15
21	Strain Relief	32-0437	11		Safety Decal Kit (Inc. 1, 2, 35-40)	34-9010	
22	Locknut	32-0108	11	*Must Order in One Foot Lengths			

SLUDGE BOX ASSEMBLY (855-0017)

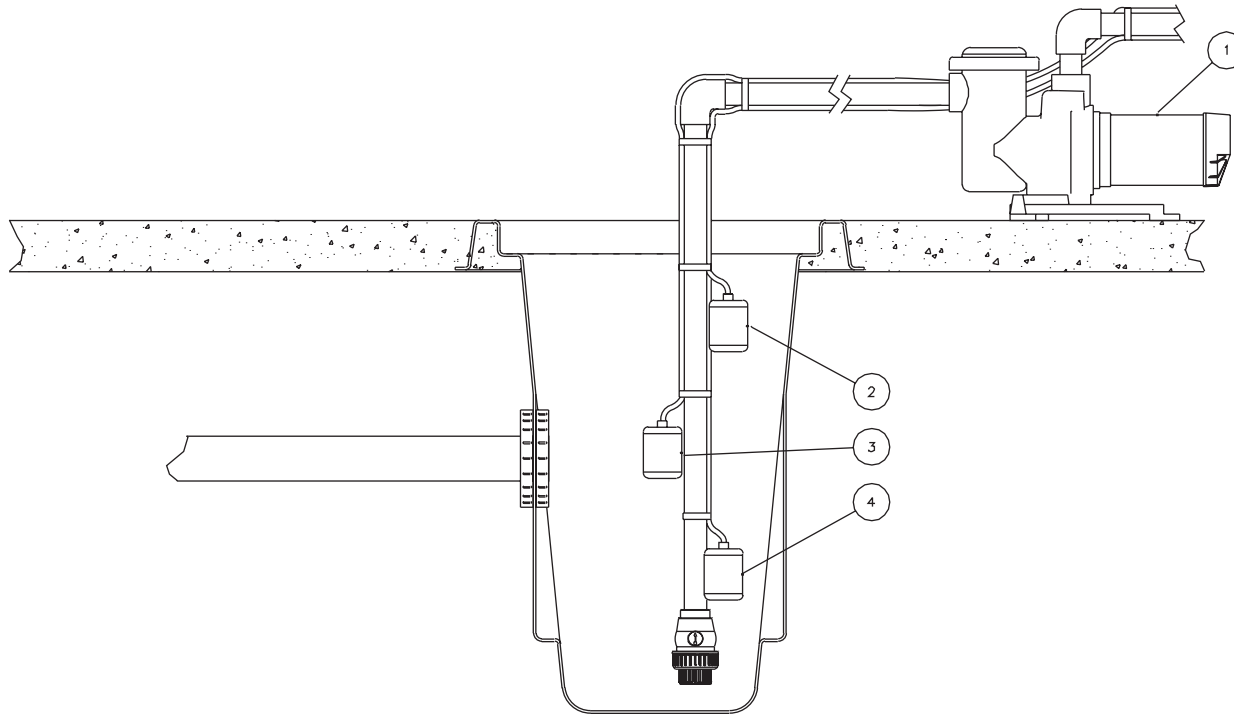


855-0017-040700-WKB

SLUDGE BOX ASSEMBLY (855-0017)			
REF. #	DESCRIPTION	PART #	QTY.
1	Lid	33-0341	1
2	Riser Plate	21-0126	1
3	Sludge Box	33-0344	1
4	Bulkhead (Includes Gasket 25-0481)	55-1886	2
5	Gasket	25-0481	2
6	Adapter	55-0054	2
7	Gasket	25-0476	2
8	Coupler (Includes Gasket 25-0476)	55-0055	2
9	Hose *(Ten Feet Required)	15-0213	1
10	Filter Bag	41-0190	5
11	Hose Clamp	42-0027	1
	Complete Sludge Box (Inc. 1-11)	855-0017	
*Must Order in One Foot Lengths			

855-0017-040700-WKB

SUMP PIT ASSEMBLY

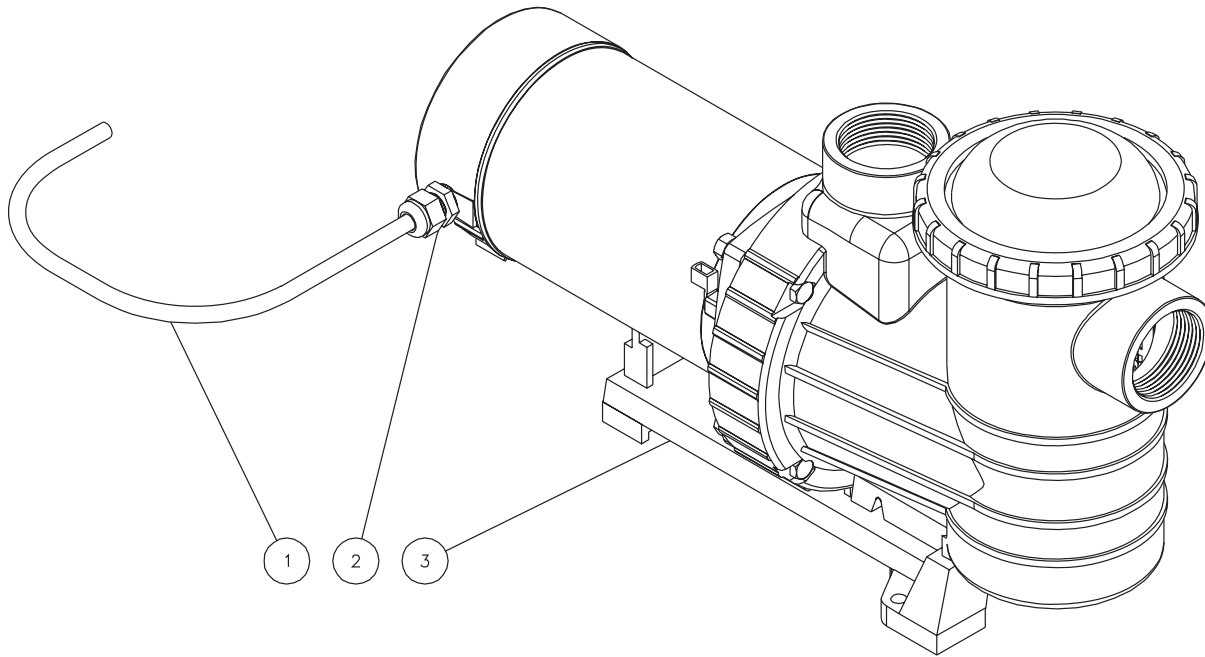


SUMP PIT ASSY-121901-KS

SUMP PIT ASSEMBLY			
REF. #	DESCRIPTION	PART #	QTY.
1	Sump Pump Assembly	855-0024	1
2	Float- Normally Open	32-0545	1
3	Float- Normally Closed	32-0530	1
4	Float- Normally Open	32-0528	1

SUMP PIT ASSY-121901-KS

SUMP PUMP ASSEMBLY (855-0024)

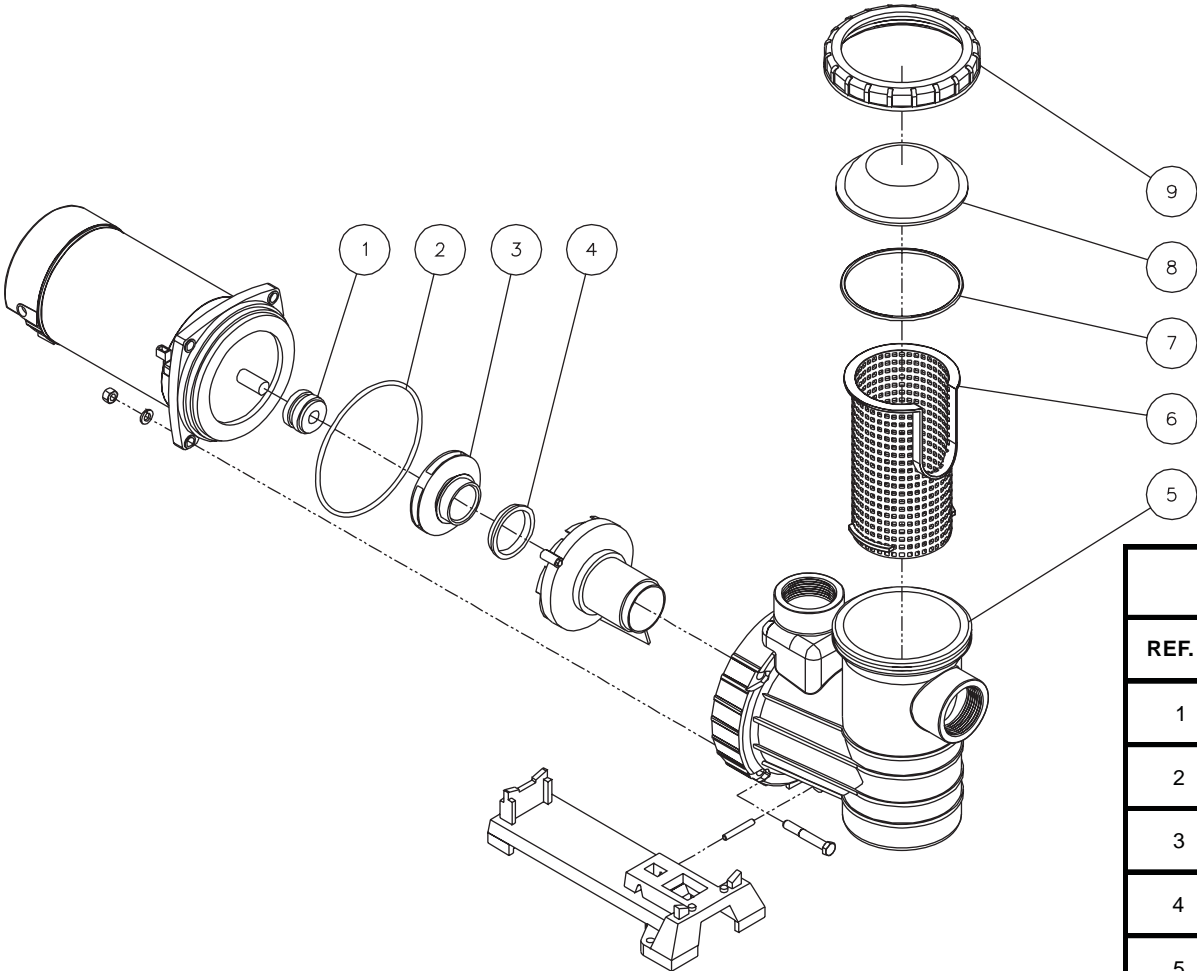


855-0024-092801-KS

SUMP PUMP ASSEMBLY (855-0024)			
REF. #	DESCRIPTION	PART#	QTY.
1	Cord *(Twenty Feet Required)	32-0074	1
2	Strain Relief	32-0437	1
3	Pump Strainer Basket	3-0214	1
	Terminal Fork	32-0003	2
	Terminal Ring	32-0099	1
	Complete Sump Pump Assembly	855-0024	
*Must Order in One Foot Lengths			

855-0024-061801-KS

SUMP PUMP (3-0214)

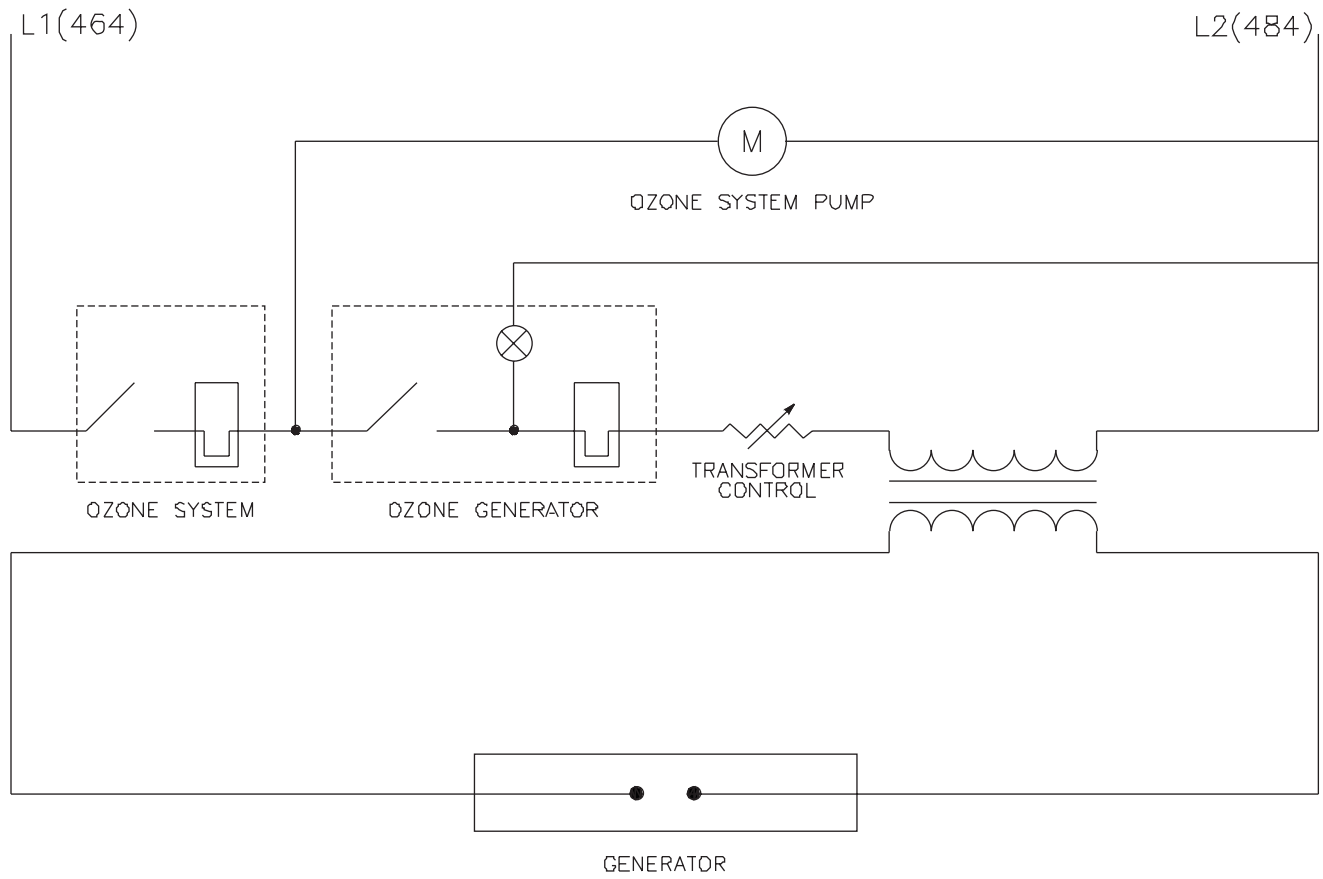


3-0214-062501-KS

SUMP PUMP (3-0214)			
REF. #	DESCRIPTION	PART #	QTY.
1	Mechanical Seal	26-0215	1
2	O-ring	25-0522	1
3	Impeller	46-1030	1
4	Eye Seal	26-0217	1
5	Case w/Plugs	46-1029	1
6	Strainer Basket	46-1028	1
7	O-ring	25-0521	1
8	Strainer Cover	46-1027	1
9	Strainer Ringlok	46-1026	1
	Complete Sump Pump	3-0214	

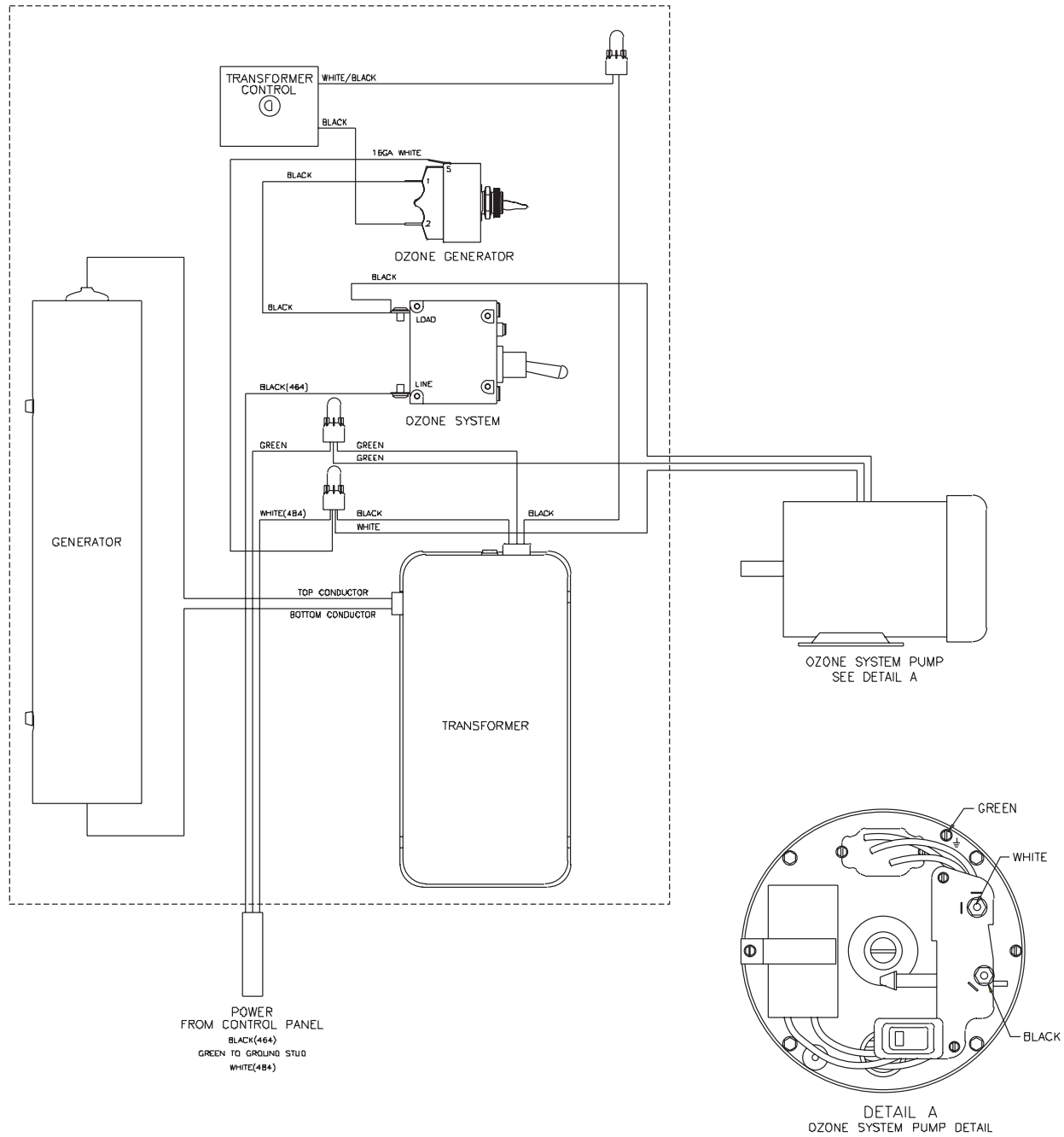
3-0214-062501-KS

WCP OZONE SYSTEM SCHEMATIC



WCP OZONE SCHEMATIC-062601-KS

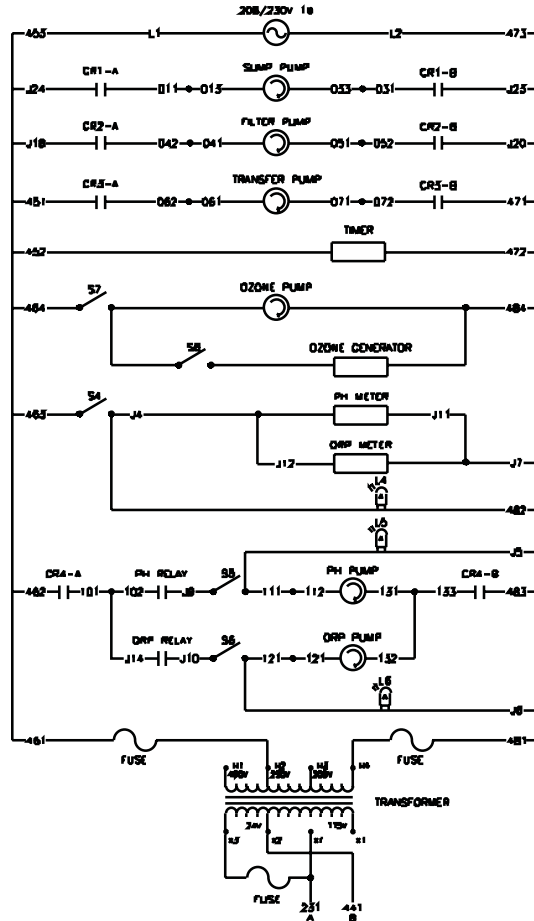
WCP OZONE SYSTEM DIAGRAM



WCP OZONE DIAGRAM-062601-KS

ELECTRICAL SCHEMATIC

230V 1ø LADDER DIAGRAM

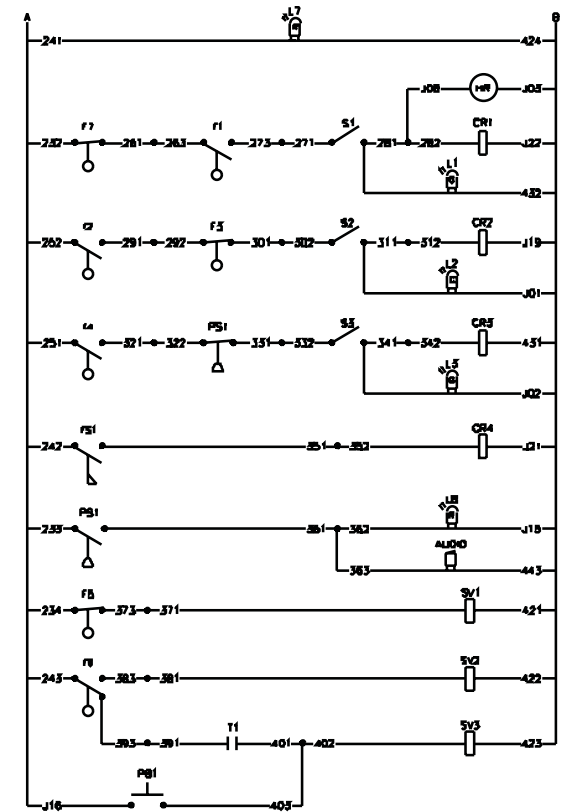


NOTE:
LADDER DIAGRAM SHOWN WITH POWER TO UNIT AND NO WATER IN PIT

LEGEND

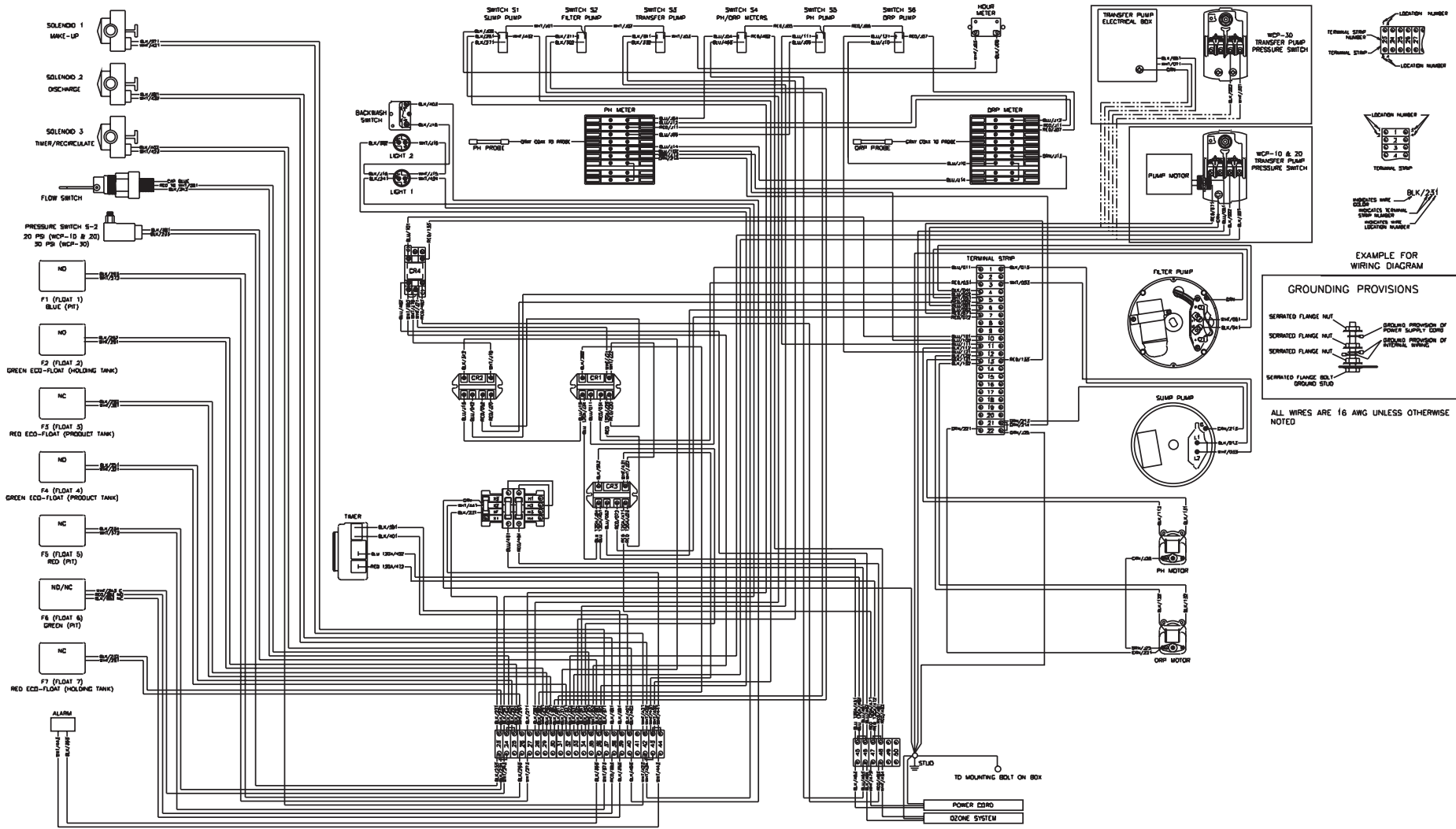
- CR1 = CONTROL RELAY, SUMP PUMP
- CR2 = CONTROL RELAY, FILTER PUMP
- CR3 = CONTROL RELAY, TRANSFER PUMP
- CR4 = CONTROL RELAY, PH/ORP PUMPS
- S1 = SWITCH, SUMP PUMP
- S2 = SWITCH, FILTER PUMP
- S3 = SWITCH, TRANSFER PUMP
- S4 = SWITCH, PH/ORP METERS
- S5 = SWITCH, PH PUMP
- S6 = SWITCH, ORP PUMP
- S7 = SWITCH, OZONE SYSTEM
- S8 = SWITCH, OZONE GENERATOR
- L1 = LIGHT, FOR S1
- L2 = LIGHT, FOR S2
- L3 = LIGHT, FOR S3
- L4 = LIGHT, FOR S4
- L5 = LIGHT, FOR S5
- L6 = LIGHT, FOR S6
- L7 = LIGHT, POWER ON
- L8 = LIGHT, INDICATOR BACKWASH
- PS1 S-1A = PRESSURE SWITCH 30-50 PSI, TRANSFER PUMP
- F1 = FLOAT, N.O. BLUE LOW LEVEL, SUMP PUMP, PIT
- F2 = FLOAT, N.O. BLUE HOLDING TANK, FILTER PUMP
- F3 = FLOAT, N.C. RED PRODUCT TANK, FILTER PUMP
- F4 = FLOAT, N.O. BLUE PRODUCT TANK, TRANSFER PUMP
- F5 = FLOAT, N.C. FRESHWATER MAKE-UP, PIT
- F6 = FLOAT, N.O./N.C. RAINWATER OVERFLOW/RECIRCULATION, PIT
- F7 = FLOAT, N.C. RED HOLDING TANK OVERFLOW
- FS1 = N.O. FLOW SWITCH, CHEMICAL PUMPS
- PS2 = PRESSURE SWITCH 20/30 PSI, BACKWASH
- SV1 = SOLENOID VALVE, FRESHWATER MAKE-UP
- SV2 = SOLENOID VALVE, RAINWATER OVERFLOW, DISCHARGE
- SV3 = SOLENOID VALVE, TIMER/RECIRCULATION
- T1 = TIMER (RECIRCULATION) TIMED CLOSED
- PB1 = PUSH BUTTON SWITCH, BACKWASH
- H = HOUR METER (SUMP)

24V 1ø LADDER DIAGRAM



LADDER DIAGRAM-WCP-10-20-30-0M10-100303-ASY

ELECTRICAL DIAGRAM



WIRE DIAGRAM-WCP-10-20-30-0M10-060302-KS

