



PARTS LIST FOR
WCP-30AB-0M10 (AFTER SERIAL #30001104)
WCP-30AB-0M30
WATER RECYCLING TREATMENT SYSTEM

Congratulations on the purchase of your new Mi-T-M water treatment system! This parts listing has been compiled for your benefit. You can be assured your Mi-T-M water treatment system was constructed and designed with quality and performance in mind. Each component has been rigorously tested to insure the highest level of acceptance.

The contents of this parts listing are based on the latest product information available at the time of publication. Mi-T-M reserves the right to make changes in price, color, materials, equipment, specifications or models at any time without notice.

WARNING

THIS IS A PROFESSIONAL WATER TREATMENT SYSTEM. CAUTION SHOULD BE OBSERVED WHEN USING OR REPAIRING THIS UNIT! READ AND FOLLOW THE SAFETY WARNINGS LISTED BELOW BEFORE ATTEMPTING ANY REPAIRS ON THIS WATER TREATMENT SYSTEM!

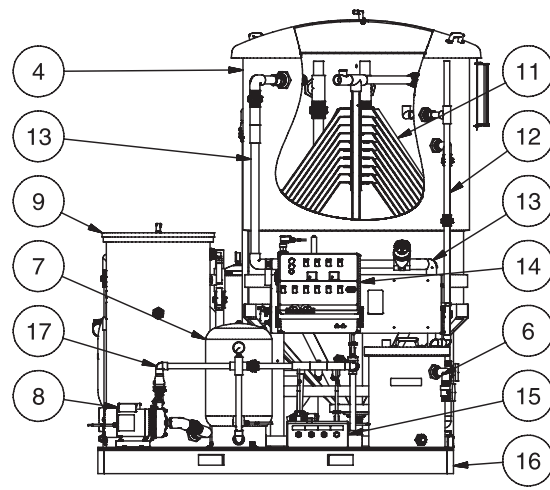
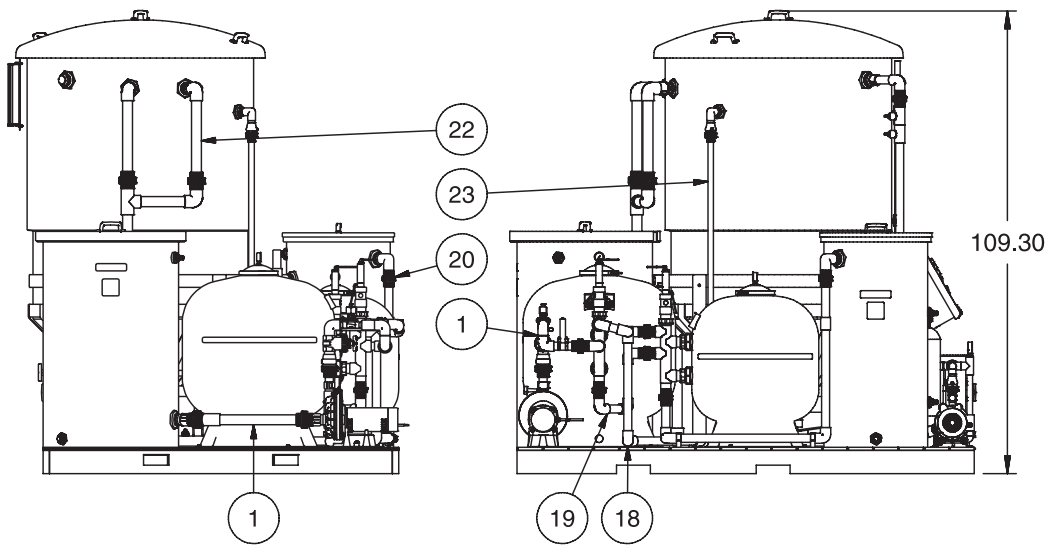
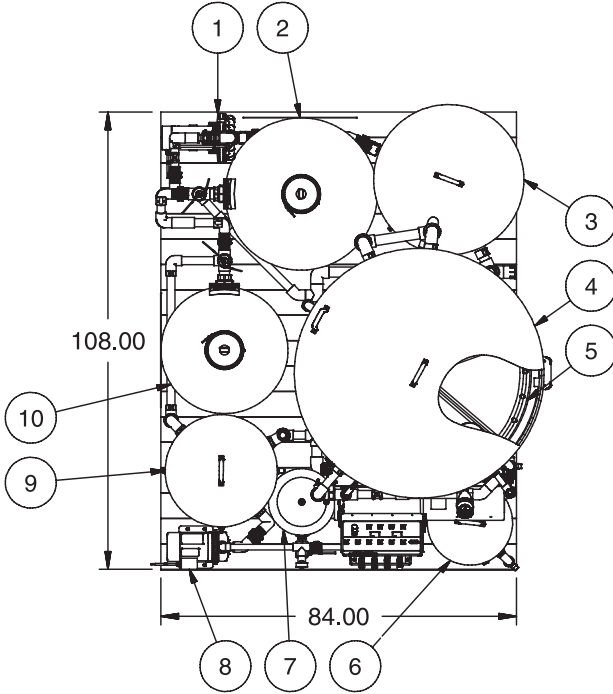
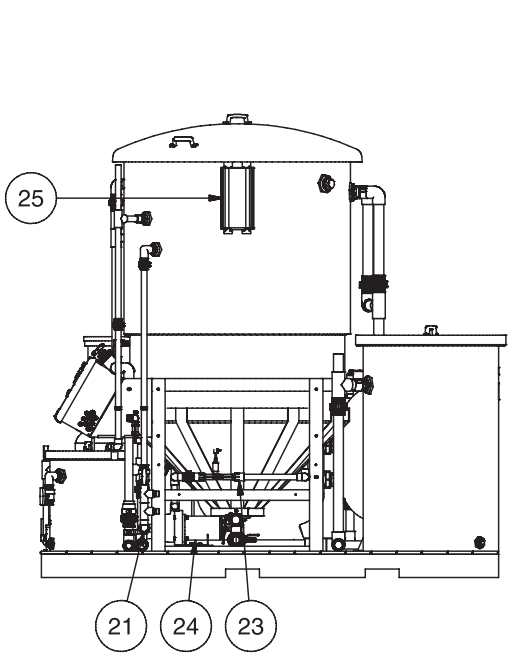
SAFETY WARNINGS

1. Serious injury or death could occur if the water treatment system is not properly grounded. Your water treatment system is powered by electricity and may cause electric shock or electrocution if not installed properly. Installation to this unit, including all electrical connections, must comply with all local, state and national codes. Any electrical wiring or repairs performed on this water treatment system should be done by Authorized Service Personnel in accordance with National and Local electrical codes.
2. NEVER alter or modify the equipment. Use only genuine Mi-T-M parts for repair of your water treatment system. Failure to do so can cause hazardous operating conditions and will VOID warranty.
3. Know how to stop and bleed pressures quickly. Be thoroughly familiar with controls. Do not operate without protective cover/guards. Follow the maintenance instructions specified in your operator's manual.
4. Before servicing, ALWAYS shut off the water and the unit. Allow the unit to cool down. NEVER assume the water treatment system is safe to work on just because it is not operating. It could restart at any time! ALWAYS disconnect from the power source. Service in a clean, dry flat area.
5. Be especially careful it properly dispose of any flammable materials. Consult Materials Safety Data Sheets for safe handling of chemicals used with your system, especially oxidizers and acids.

Table of Contents

MAIN ASSEMBLY (AFTER SERIAL #30000122)	4
TANK STAND ASSEMBLY (AFTER SERIAL #30000122).....	6
PLUMBING: INLET ASSEMBLY (AFTER SERIAL #30000122).....	8
CLARIFIER TANK ASSEMBLY (AFTER SERIAL #30000122).....	10
PLUMBING: OZONE PUMP INLET ASSEMBLY (AFTER SERIAL #30000122).....	14
OZONE PUMP ASSEMBLY (AFTER SERIAL #30000122)	15
OZONE PUMP (3-0186) (SINGLE PHASE).....	16
OZONE PUMP (3-0322) (THREE PHASE).....	18
PLUMBING: OZONE PUMP OUTLET ASSEMBLY (AFTER SERIAL #30000122).....	19
PLUMBING: OIL DECANter ASSEMBLY (AFTER SERIAL #30000122)	20
OUTLET RING ASSEMBLY (AFTER SERIAL #30000122)	21
PLUMBING: CLARIFIER TANK OUTLET ASSEMBLY (AFTER SERIAL #30000122).....	22
HOLDING TANK ASSEMBLY (AFTER SERIAL #30000122)	23
FILTER PUMP ASSEMBLY (AFTER SERIAL #30001104)	24
FILTER PUMP (3-0329) (SINGLE PHASE)	26
FILTER PUMP (3-0319) (THREE PHASE)	27
MULTI-MEDIA FILTER ASSEMBLY (AFTER SERIAL #3001104).....	28
VALVE ASSEMBLY (AFTER SERIAL #30000122)	29
PLUMBING: MEDIA FILTER TO POLISHING FILTER (AFTER SERIAL #30000122).....	30
POLISHING FILTER ASSEMBLY (AFTER SERIAL #30001104).....	31
PLUMBING: POLISHING FILTER TO PRODUCT TANK (AFTER SERIAL #30000122)	32
PRODUCT TANK ASSEMBLY (AFTER SERIAL #30000389).....	34
TRANSFER PUMP ASSEMBLY (AFTER SERIAL #30000389).....	36
TRANSFER PUMP.....	38
PRESSURE TANK ASSEMBLY (AFTER SERIAL #30000122)	40
HOSE ASSEMBLIES	41
PLUMBING: MANIFOLD ASSEMBLY (AFTER SERIAL #30001104)	42
MANIFOLD ASSEMBLY	44
OIL DECANter ASSEMBLY (AFTER SERIAL #30000122).....	46
PLUMBING: DRAIN LINE ASSEMBLY (AFTER SERIAL #30000122).....	48
PH / ORP PUMP (3-0316).....	50
OZONE GENERATOR MOUNTING (AFTER SERIAL #30000122).....	51
CONTROL PANEL (AFTER SERIAL #30001104).....	52
CONTROL PANEL PLATE ASSEMBLY (SINGLE PHASE) (AFTER SERIAL #30001104)	54
CONTROL PANEL PLATE ASSEMBLY (THREE PHASE) (AFTER SERIAL #30001104).....	56
AIR CONTROL SYSTEM (3)	58
SLUDGE BOX ASSEMBLY (855-0017).....	59
SUMP PIT ASSEMBLY	60
SUMP PUMP ASSEMBLY	61
SUMP PUMP (3-0328) (SINGLE PHASE)	62
SUMP PUMP (3-0317) (THREE PHASE)	63
PNEUMATIC DIAGRAM	64
NOTES	65
LADDER DIAGRAM (SINGLE PHASE)	66
WIRE DIAGRAM (SINGLE PHASE).....	67
LADDER DIAGRAM (THREE PHASE)	68
WIRE DIAGRAM (THREE PHASE).....	69

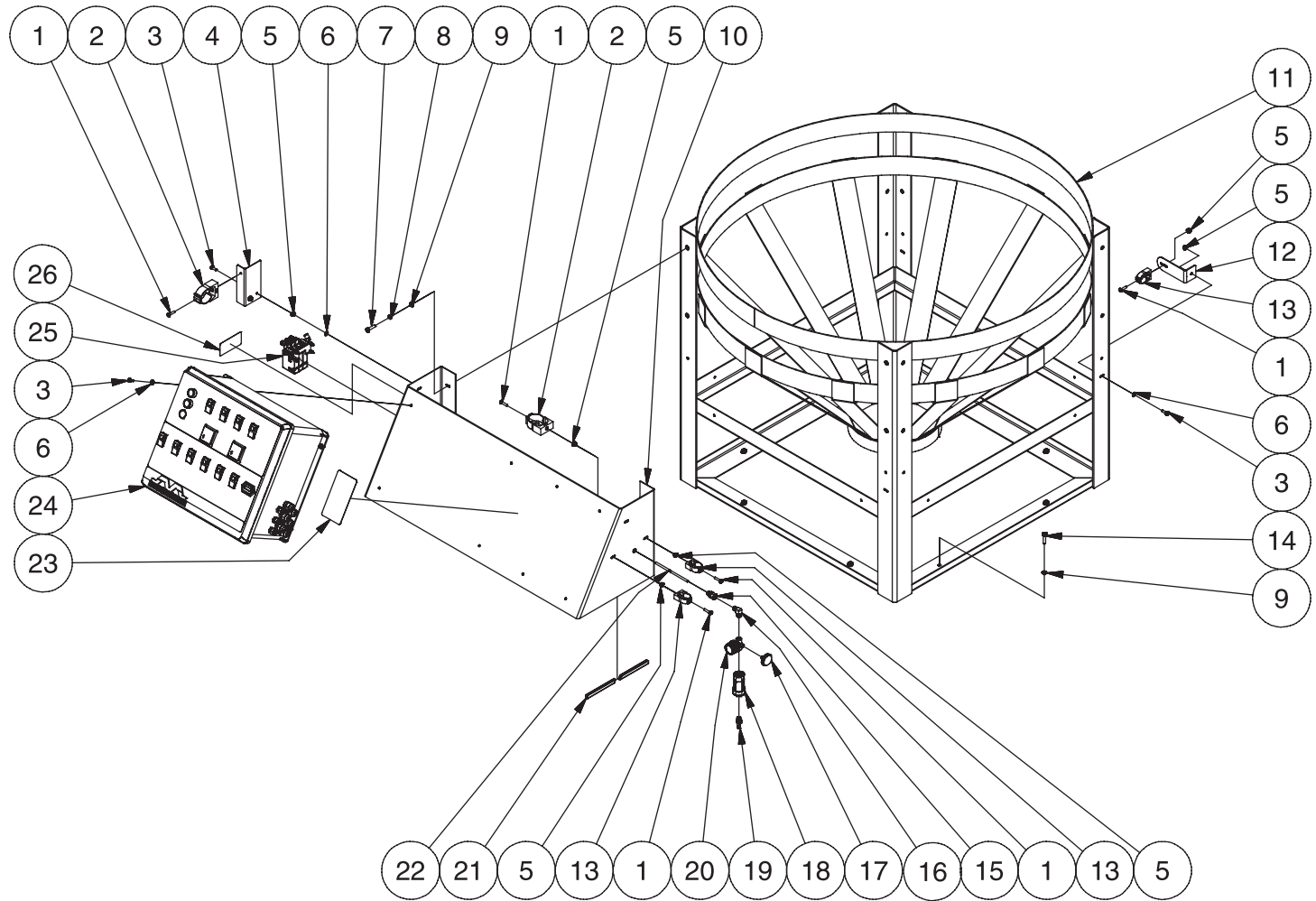
MAIN ASSEMBLY (AFTER SERIAL #30000122)



WCP-30AB-0M10-022:105-ASY

MAIN ASSEMBLY (AFTER SERIAL #30000122)							
REF. #	DESCRIPTION	PART#	QTY.	REF. #	DESCRIPTION	PART#	QTY.
1	Filter Pump Assembly (See pg. 26)	N/A Sep.	1	14	Tank Stand Assembly (See pg. 6)	N/A Sep.	1
2	Multi-Media Filter Assembly (See pg. 30)	N/A Sep.	1	15	Manifold Assembly (See pg. 52)	N/A Sep.	1
3	Holding Tank Assembly (See pg. 24)	N/A Sep.	1	16	Pallet	35-0057	1
4	Clarifier Tank Assembly (See pg. 10)	N/A Sep.	1	17	Plumbing: Manifold Assembly (See pg. 50)	N/A Sep.	1
5	Outlet Ring Assembly (See pg. 22)	N/A Sep.	1	18	Drain Line Assembly (See pg. 56)	N/A Sep.	1
6	Oil Decanter Assembly (See pg. 54)	N/A Sep.	1	19	Plumbing: Media Filter to Polishing Filter (See pg. 36)	N/A Sep.	1
7	Pressure Tank Assembly (See pg. 47)	N/A Sep.	1	20	Plumbing: Polishing Filter to Product Tank (See pg. 40)	N/A Sep.	1
8	Transfer Pump Assembly (See pg. 44)	N/A Sep.	1	21	Plumbing: Ozone Pump Inlet Assembly (See pg. 15)	N/A Sep.	1
9	Product Tank Assembly (See pg. 42)	N/A Sep.	1	22	Clarifier Tank Outlet Assembly (See pg. 23)	N/A Sep.	1
10	Polishing Filter Assembly (See pg. 37)	N/A Sep.	1	23	Ozone Pump Outlet Assembly (See pg. 20)	N/A Sep.	1
11	Cone Assembly	855-0023	1	24	Ozone Pump Assembly (See pg. 16)	N/A Sep.	1
12	Plumbing: Oil Decanter Assembly (See pg. 21)	N/A Sep.	1	25	Ozone Generator Assembly (See pg. 14)	N/A Sep.	1
13	Plumbing: Inlet Assembly (See pg. 8)	N/A Sep.	1				

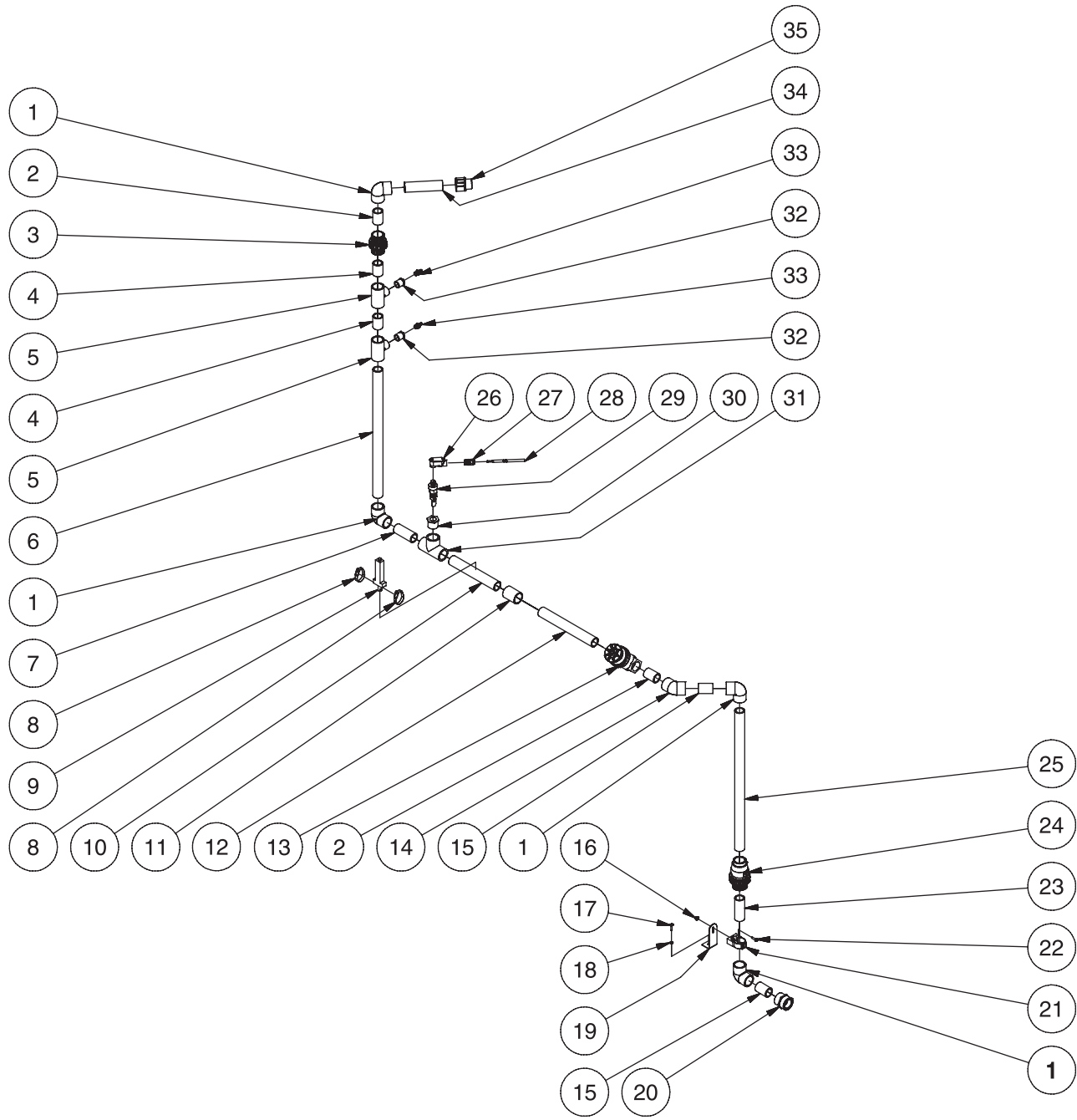
TANK STAND ASSEMBLY (AFTER SERIAL #30000122)



TANK STAND ASSY WCP-30AB-021705-ASY

TANK STAND ASSEMBLY (AFTER SERIAL #30000122)							
REF. #	DESCRIPTION	PART#	QTY.	REF. #	DESCRIPTION	PART#	QTY.
1	Screw	27-5018	5	15	Bulkhead Fitting	55-0092	1
2	Clamp	42-0026	2	16	Elbow	23-0130	1
3	Screw	27-5016	7	17	Gauge	22-0257	1
4	Inlet Clamp Bracket	20-0569A01	1	18	Air Filter	AT-4007	1
5	Nut	30-5202	12	19	Plug	17-0049	1
6	Washer	28-0121	7	20	Regulator	22-0326	1
7	Screw	27-8963	4	21	Edging *(One Foot Required)	33-0020	1
8	Locknut	29-1007	4	22	Hose *(Five Feet Required)	15-0240	1
9	Washer	28-0122	12	23	Decal- Warning: Risk of Electrocution (See 34-9010)	N/A Sep.	1
10	Control Panel	20-0535A01	1	24	Control Panel (See Exploded Drawing)	N/A Sep.	1
11	Tank Stand	20-0595A01	1	25	Air Control Valve Assembly (See Exploded Drawing)	N/A Sep.	1
12	Clamp Bracket	20-0555A01	1	26	Decal- Data Plate	N/A	1
13	Clamp	42-0038	3		Safety Decal Kit (Inc. 23)	34-9010	
14	Lag Bolt	27-5276	8		*Must Order in One Foot Lengths		

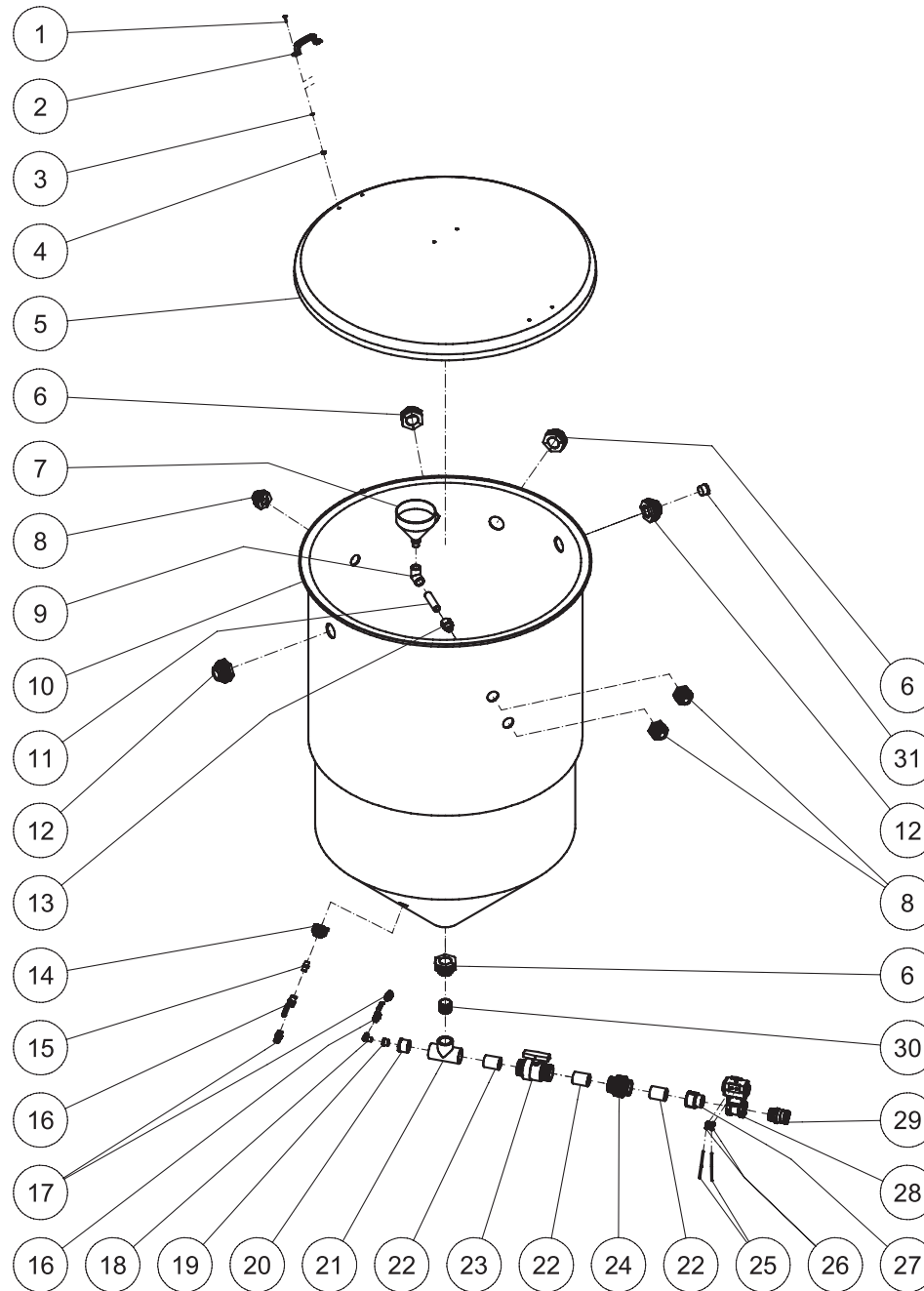
PLUMBING: INLET ASSEMBLY (AFTER SERIAL #30000122)



INLET PLUMBING WCP-30-020705-ASY

PLUMBING: INLET ASSEMBLY (AFTER SERIAL #30000122)							
REF. #	DESCRIPTION	PART#	QTY.	REF. #	DESCRIPTION	PART#	QTY.
1	Elbow	55-1609	4	18	Washer	28-0121	1
2	Pipe *(1-1/2" x 2 1/16")	55-1600	2	19	Clamp Bracket	20-0555A01	1
3	Union (Inc. 25-0448)	55-1645	1	20	Female Adapter	55-1621	1
-	O-ring	25-0448	1	21	Clamp	42-0026	1
4	Pipe *(1-1/2" x 2 3/4")	55-1600	2	22	Screw	27-5018	1
5	Tee	55-1603	2	23	Pipe *(1 1/2" x 4 5/8")	55-1600	1
6	Pipe *(1-1/2" x 29")	55-1600	1	24	Check Valve	55-1652	1
7	Pipe *(1-1/2" x 4 1/2")	55-1600	1	25	Pipe *(1 1/2" x 31 3/4")	55-1600	1
8	Clamp	42-0027	2	26	Conduit	32-0642	1
9	Flowmeter (Inc. 2 of 42-0027)	55-0093	1	27	Strain Relief	32-0437	1
10	Pipe *(1 1/2" x 10 5/8")	55-1685	1	28	Cord *(Six Feet Required)	32-0075	1
11	Coupler	55-1614	1	29	Adjustable Flow Switch	32-0641	1
12	Pipe *(1 1/2" x 14 1/8")	55-1600	1	30	Bushing	55-1629	1
13	Gate Valve	55-1671	1	31	Tee	55-1601	1
14	Elbow	55-1612	1	32	Reducer Bushing	55-1229	2
15	Pipe *(1 1/2" x 2 3/4")	55-1600	1	33	Adapter	55-0023	2
16	Nut	30-5202	1	34	Pipe *(1 1/2" x 7 1/4")	55-1600	1
17	Lag Bolt	27-5277	1	35	Male Adapter	55-1622	1
*Must Order in One Foot Lengths							

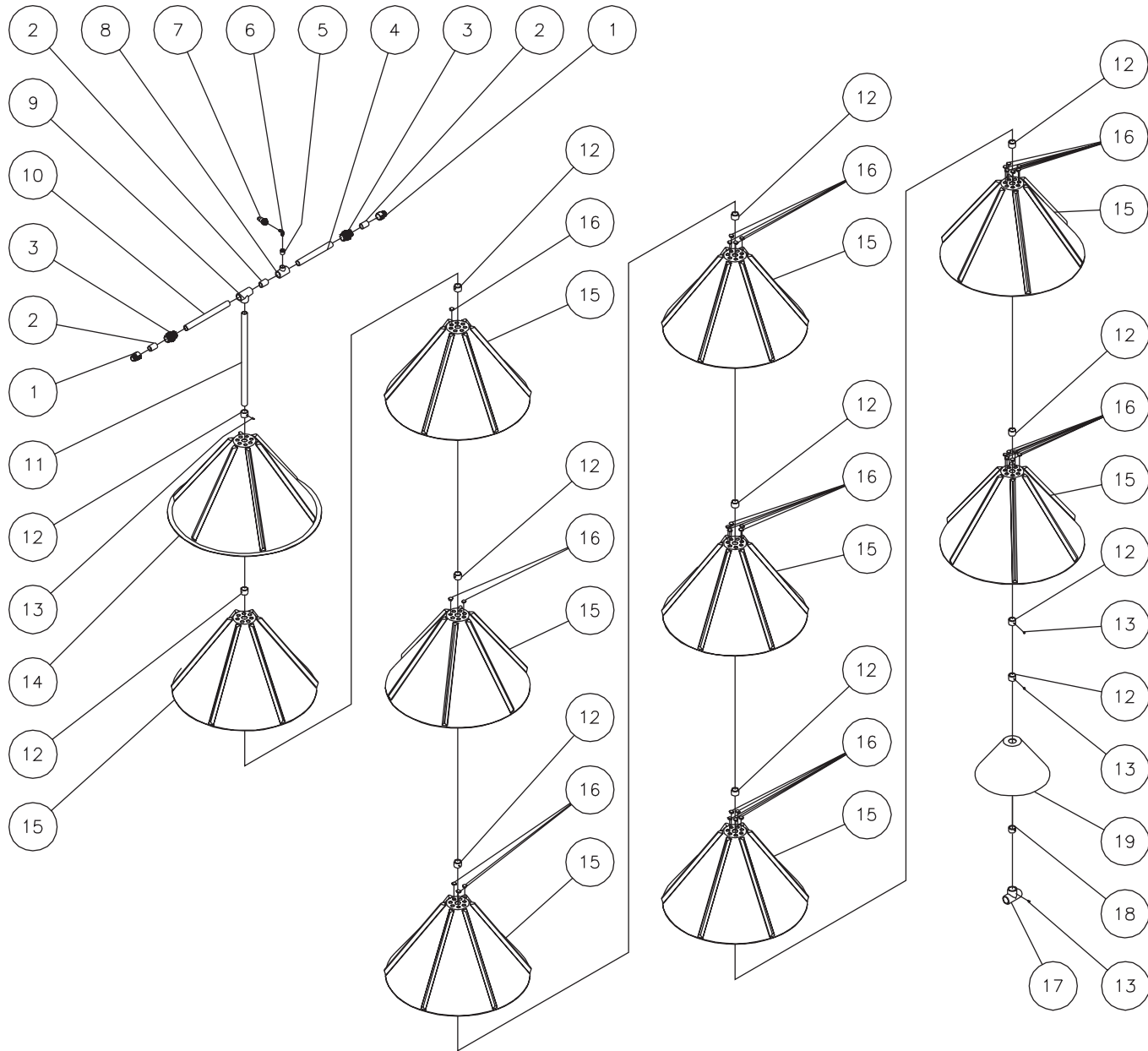
CLARIFIER TANK ASSEMBLY (AFTER SERIAL #30000122)



CLARIFIER TANK ASSY-WCP-30AB-022410-PJH

CLARIFIER TANK ASSY WCP-30AB 022410-PJH			
CLARIFIER TANK ASSEMBLY (AFTER SERIAL #30000122)			
ITEM	DESCRIPTION	PART #	QTY
1	BOLT	27-5018	6
2	HANDLE	7-0164	3
3	WASHER	28-0121	6
4	LOCKNUT	30-5155	6
5	LID FOR 12-0069	N/A	1
6	BULKHEAD (INC. 25-0481 GASKET)	55-1886	3
7	FUNNEL	33-0338	1
8	BULKHEAD (INC. 25-042 GASKET)	55-1286	3
9	ELBOW	55-1210	1
10	CLARIFIER TANK - WCP-20 & 30 (12-0069)	12-0069	1
11	PIPE *(ONE FOOT REQUIRED)	55-1200	1
12	BULKHEAD (INC. 25-0481 GASKET)	55-1686	2
13	ADAPTER	55-1222	1
14	BULKHEAD (INC. 25-0506 GASKET)	55-0886	1
15	NIPPLE	23-0012	1
16	BALL VALVE	22-0278	2
17	NIPPLE	23-0359	2
18	ELBOW	23-0386	1
19	REDUCER	55-1234	1
20	REDUCER BUSHING	55-1832	1
21	TEE	55-1807	1
22	PIPE *(ONE FOOR REQUIRED)	55-1800	3
23	BALL VALVE	55-1855	1
24	UNION	55-1845	1
25	HOSE *(SIX FEET REQUIRED)	15-0240	2
26	ELBOW	55-0089	2
27	ADAPTER	55-1822	1
28	PNEUMATIC VALVE	22-0354	1
29	ADAPTER	55-0054	1
30	NIPPLE	55-1874	1
31	PLUG	55-1640	1
*MUST ORDER IN ONE FOOT LENGTHS			

CONE ASSEMBLY (855-0023)



855-0023-091902-KS

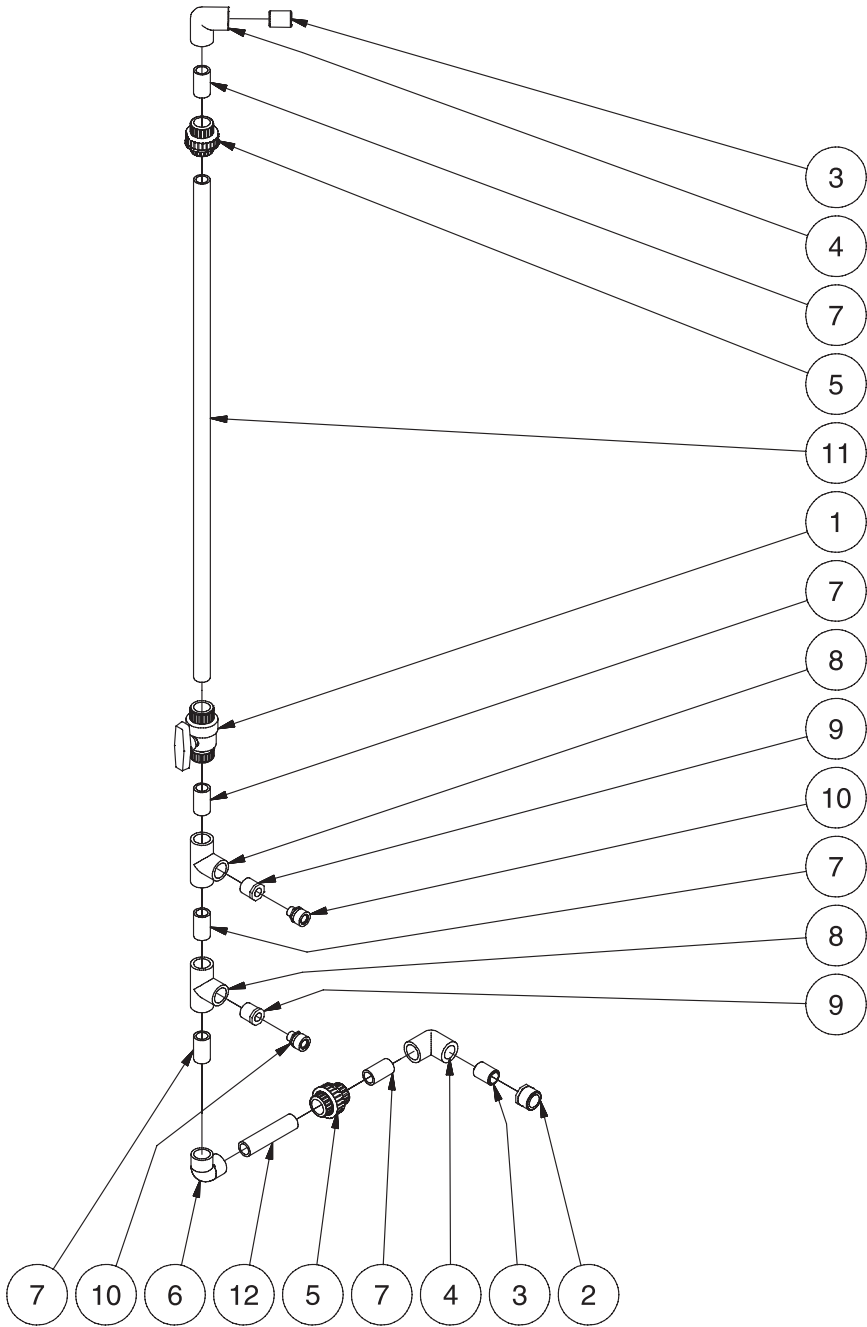
CONE ASSEMBLY (855-0023)								
REF. #	DESCRIPTION	PART#	QTY.		REF. #	DESCRIPTION	PART#	QTY.
1	Adapter- Male	55-1622	2		11	Pipe *(1-1/2" x 37-1/4")	55-1600	1
2	Pipe *(1-1/2" x 2-3/4")	55-1600	3		12	Pipe *(2" x 1-3/4")	55-1800	12
3	Union (Inc. 25-0448)	55-1645	2		13	Screw	27-3064	4
-	O-ring	25-0448	2		14	Upper Coalescing Cone- 600 gal.	33-0297	1
4	Pipe *(1-1/2" x 15 5/8")	55-1600	1		15	Lower Coalescing Cone- 600 gal.	33-0331	9
5	Reducer Bushing	55-1229	1		16	Plug	39-0120	32
6	Elbow	23-0386	1		17	Tee	55-1801	1
7	Check Valve	55-0853	1		18	Pipe *(2" x 1 1/2")	55-1800	1
8	Tee	55-1603	1		19	Cone	33-0334	1
9	Tee	55-1601	1			Complete Cone Assembly	855-0023	
10	Pipe *(1-1/2" x 20")	55-1600	1		*Must Order in One Foot Lengths			

PLUMBING: OZONE PUMP INLET ASSEMBLY (AFTER SERIAL #30000122)

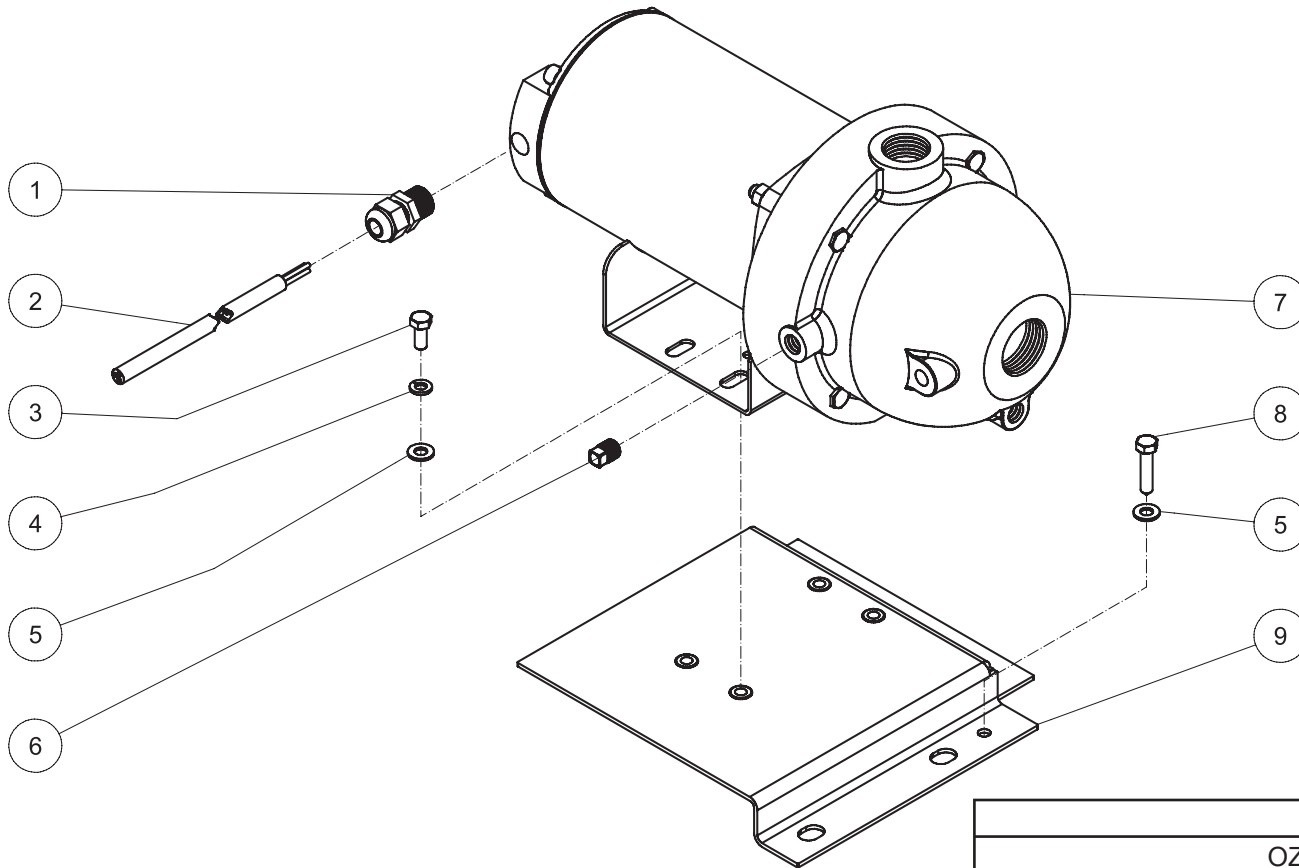
OZONE PUMP INLET-021605-ASY

PLUMBING: OZONE PUMP INLET ASSEMBLY (AFTER SERIAL #30000122)			
REF. #	DESCRIPTION	PART#	QTY.
1	Ball Valve	55-1255	1
2	Reducer Bushing	55-1433	1
3	Nipple	55-1274	2
4	Elbow	55-1210	2
5	Union (Inc. 25-0447)	55-1245	2
-	O-ring	25-0447	2
6	Reducer Bushing	55-1209	1
7	Pipe *(1" x 2-1/4")	55-1200	5
8	Tee	55-1201	2
9	Reducer Bushing	55-1229	2
10	Strain Relief	32-0550	2
11	Pipe *(1" x 48 3/8")	55-1200	1
12	Pipe *(1" x 5 3/8")	55-1200	1
*Must Order in One Foot Lengths			

OZONE PUMP INLET ASSY-021605-ASY



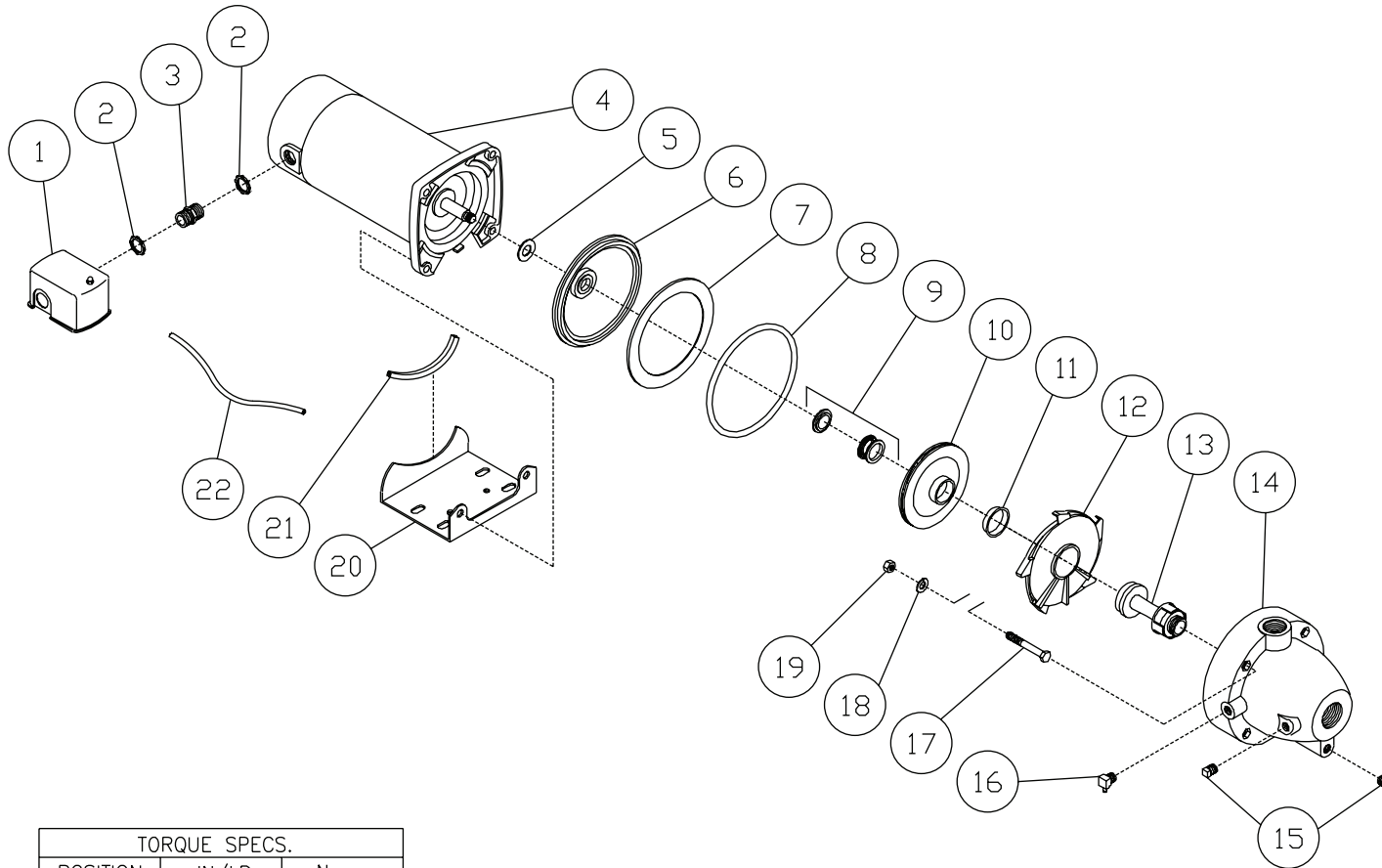
OZONE PUMP ASSEMBLY (AFTER SERIAL #30000122)



OZONE PUMP ASSY-WCP-30AB -030110-PJH

OZONE PUMP ASSY WCP-30AB 030110-PJH			
OZONE PUMP ASSEMBLY			
ITEM	DESCRIPTION	PART #	QTY
1	STRAIN RELIEF	32-0437	1
2	CORD	32-0074	1
3	BOLT	27-5066	4
4	LOCKWASHER	29-1007	4
5	WASHER	28-0122	8
6	PLUG	24-0009	1
7	PUMP	3-0186	1
-	PUMP-TRANSFER SS CF 1/2HP 3PH	3-0322	1
8	BOLT	27-5276	4
9	PUMP MOUNT PLATE	20-0522A01	1

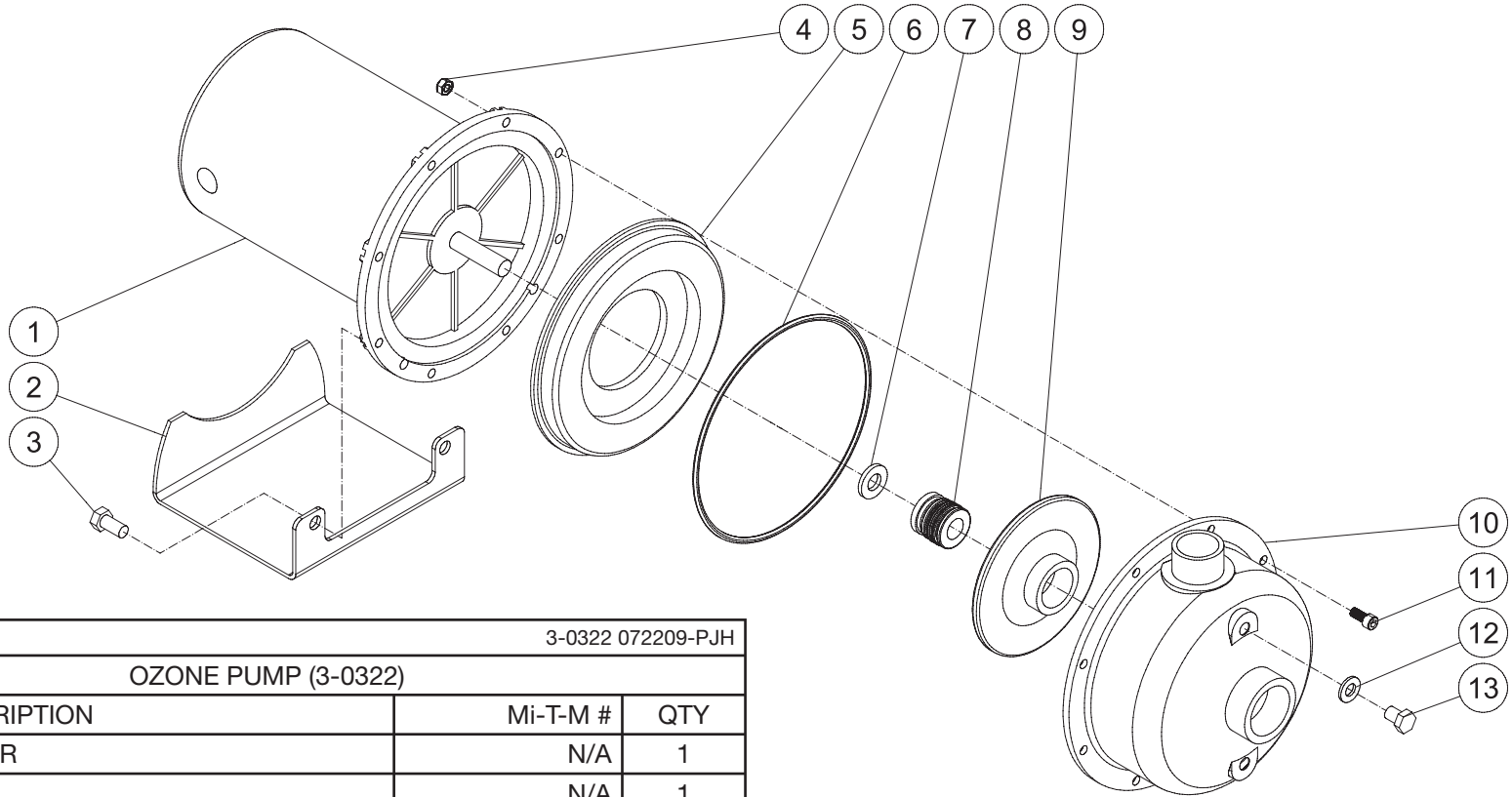
OZONE PUMP (3-0186) (SINGLE PHASE)



TORQUE SPECS.		
POSITION	IN/LB	N · m
19	150-160	16.9-18.0

OZONE PUMP (3-0186)							
REF. #	DESCRIPTION	PART#	QTY.	REF. #	DESCRIPTION	PART#	QTY.
1	Pressure Switch	22-0293	1	13	Venturi	46-0899	1
2	Locknut	32-0108	2	14	Case	46-0837	1
3	Fitting	54-0040	1	15	Plug	39-0109	2
4	Motor	N/A	1	16	Elbow	23-0381	1
5	Rubber Washer	N/A	1	17	Bolt	27-8937	4
6	Seal Plate	26-0214	1	18	Lock Washer	29-0008	4
7	Disk	46-0898	1	19	Nut	30-0006	4
8	O-ring (See 70-0257)	N/A Sep.	1	20	Base (Includes Ref. 21)	5-0144	1
9	Seal	26-0215	1	21	Rubber Protector	33-0320	1
10	Impeller (See 70-0257)	N/A Sep.	1	22	Hose	15-0210	1
11	Wear Ring	46-0835	1		Impeller Kit (Includes 8-12)	70-0313	1
12	Diffuser (See 70-0257)	N/A Sep.	1		Complete Ozone Pump	3-0186	

OZONE PUMP (3-0322) (THREE PHASE)

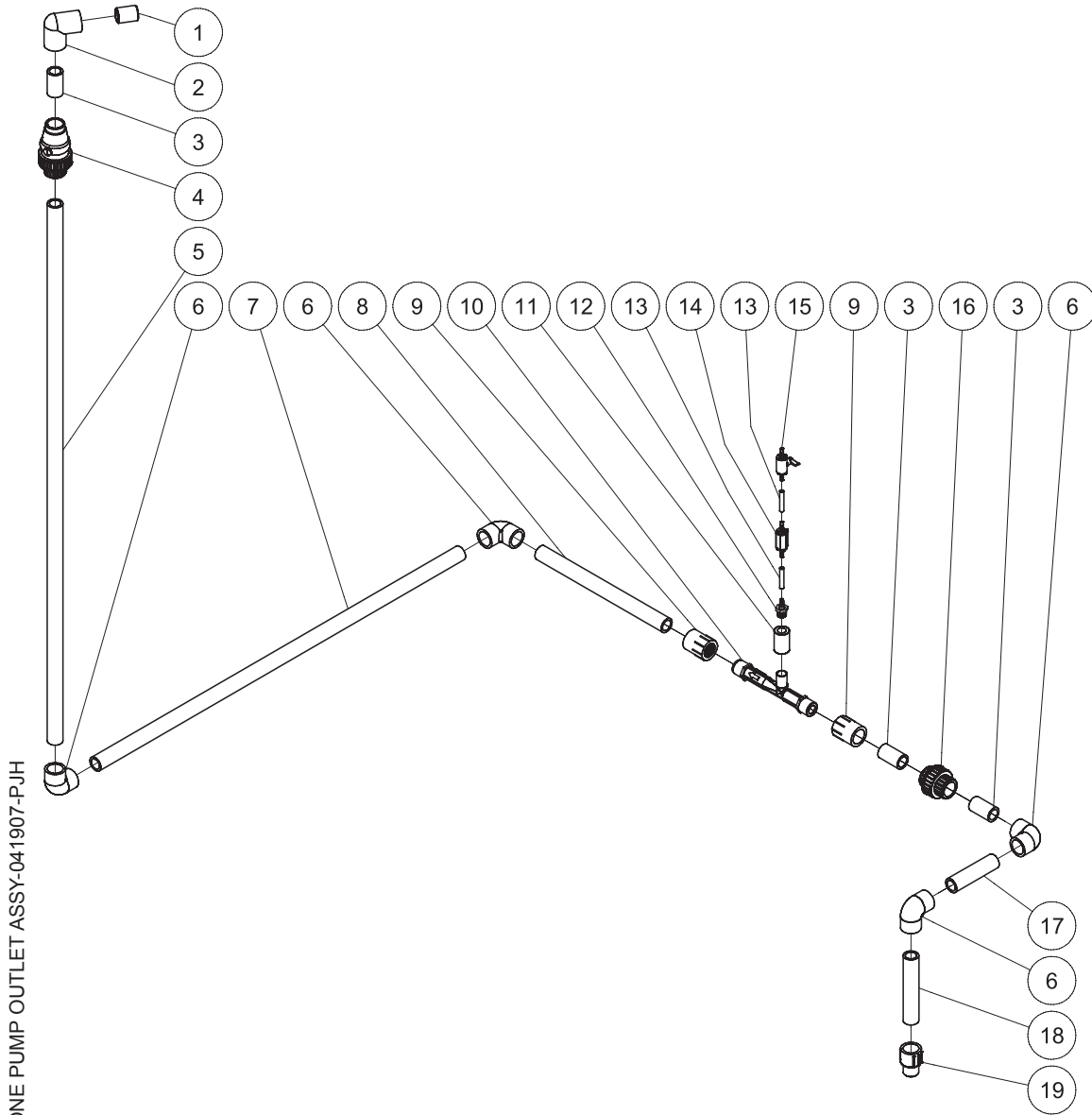


3-0322 072209-PJH			
OZONE PUMP (3-0322)			
ITEM	DESCRIPTION	Mi-T-M #	QTY
1	MOTOR	N/A	1
2	BASE	N/A	1
3	BOLT	27-0116	2
4	NUT	30-0057	8
5	SEAL PLATE	N/A	1
6	O-RING	25-0621	1
7	WATER SLINGER	46-1386	1
8	SHAFT SEAL	26-0354	1
9	IMPELLER	N/A	1
10	CASING/DIFFUSER ASSEMBLY	N/A	1
11	BOLT	27-8401	8
12	WASHER	N/A	2
13	PLUG	N/A	2

3-0322 072209-PJH

PLUMBING: OZONE PUMP OUTLET ASSEMBLY (AFTER SERIAL #30000122)

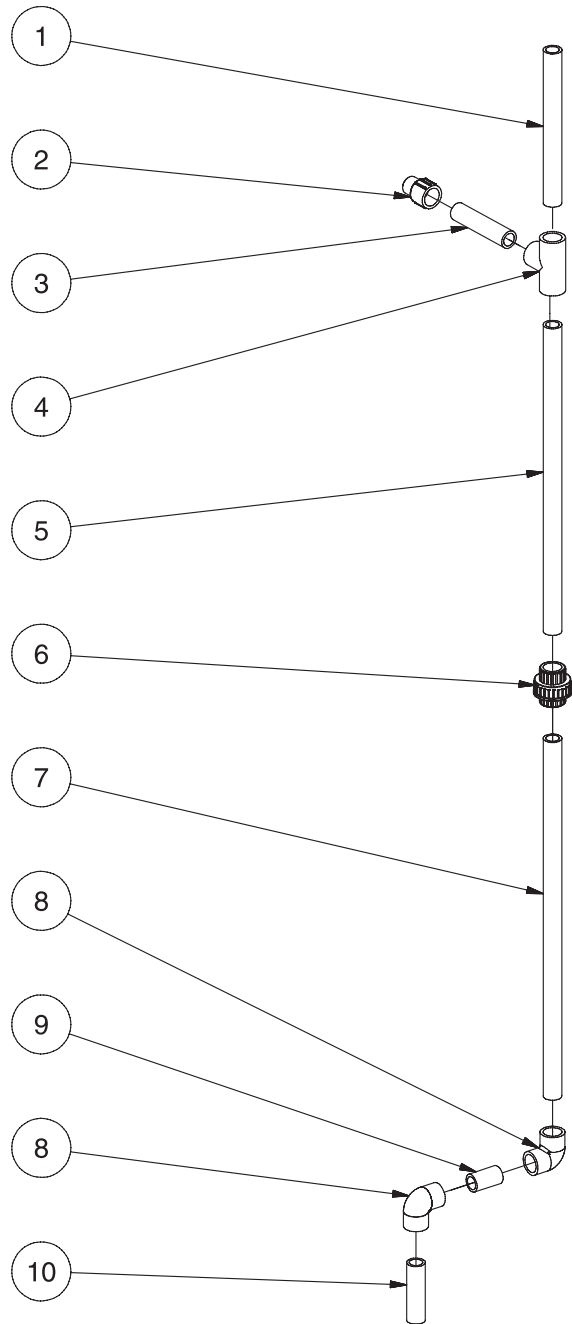
OZONE PUMP OUTLET-041907-PJH



OZONE PUMP OUTLET ASSY-041907-PJH

PLUMBING: OZONE PUMP OUTLET ASSEMBLY (AFTER SERIAL #30000122)			
REF. #	DESCRIPTION	PART#	QTY.
1	Close Nipple	55-1274	1
2	Elbow	55-1210	1
3	Pipe *(1" x 2 1/4")	55-1200	3
4	Ball Check Valve	55-1252	1
5	Pipe *(1" x 54 3/4")	55-1200	1
6	Elbow	55-1209	4
7	Pipe *(1" x 43")	55-1200	1
8	Pipe *(1" x 14 7/8")	55-1200	1
9	Female Adapter	55-1221	2
10	Mazzei Injector	55-0015	1
11	Coupler	55-0815	1
12	Hose Barb Adapter	55-0023	1
13	Hose *(Four Feet Required)	15-0226	1
14	Check Valve	22-0286	1
15	2-way Ball Valve	22-0074	1
16	Union (Inc. 25-0447)	55-1245	1
-	O-ring	25-0447	1
17	Pipe *(1" x 5")	55-1200	1
18	Pipe *(1" x 6 5/8")	55-1200	1
19	Male Adapter	55-1222	1
*Must Order in One Foot Lengths			

PLUMBING: OIL DECANTER ASSEMBLY (AFTER SERIAL #30000122)

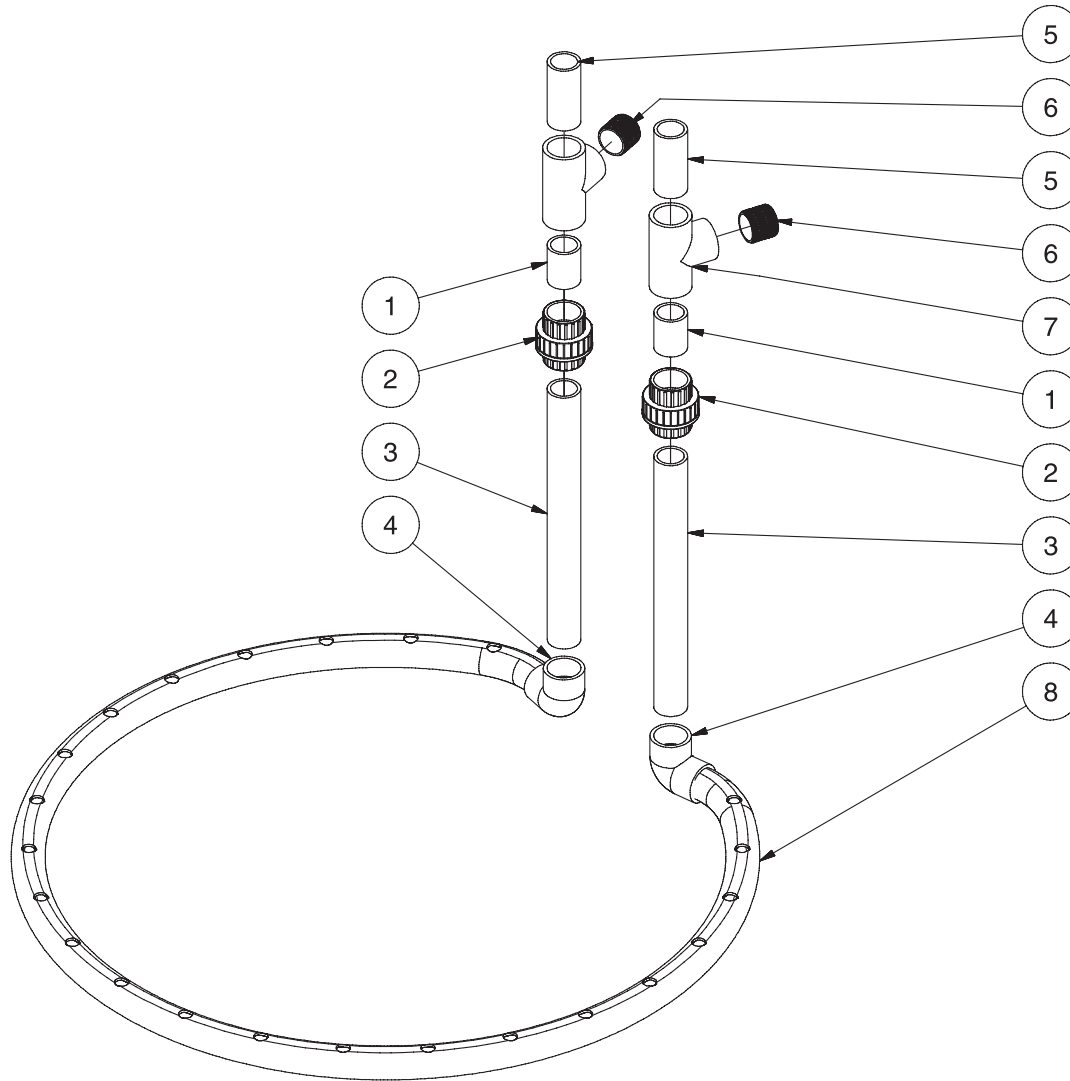


OIL DECANTER PLUMBING-020905-ASY

PLUMBING: OIL DECANTER ASSEMBLY (AFTER SERIAL #30000122)			
REF. #	DESCRIPTION	PART#	QTY.
1	Pipe *(1" x 12")	55-1200	1
2	Adapter- Male	55-1222	1
3	Pipe *(1" x 5-5/8")	55-1200	1
4	Tee	55-1201	1
5	Pipe *(1" x 24")	55-1200	1
6	Union (Inc. 25-0447)	55-1245	1
-	O-ring	25-0447	1
7	Pipe *(1" x 28")	55-1200	1
8	Elbow	55-1209	2
9	Pipe *(1" x 2 1/4")	55-1200	1
10	Pipe *(1" x 6")	55-1200	1
*Must Order in One Foot Lengths			

OIL DECANTER PLUMBING-020905-ASY

OUTLET RING ASSEMBLY (AFTER SERIAL #30000122)

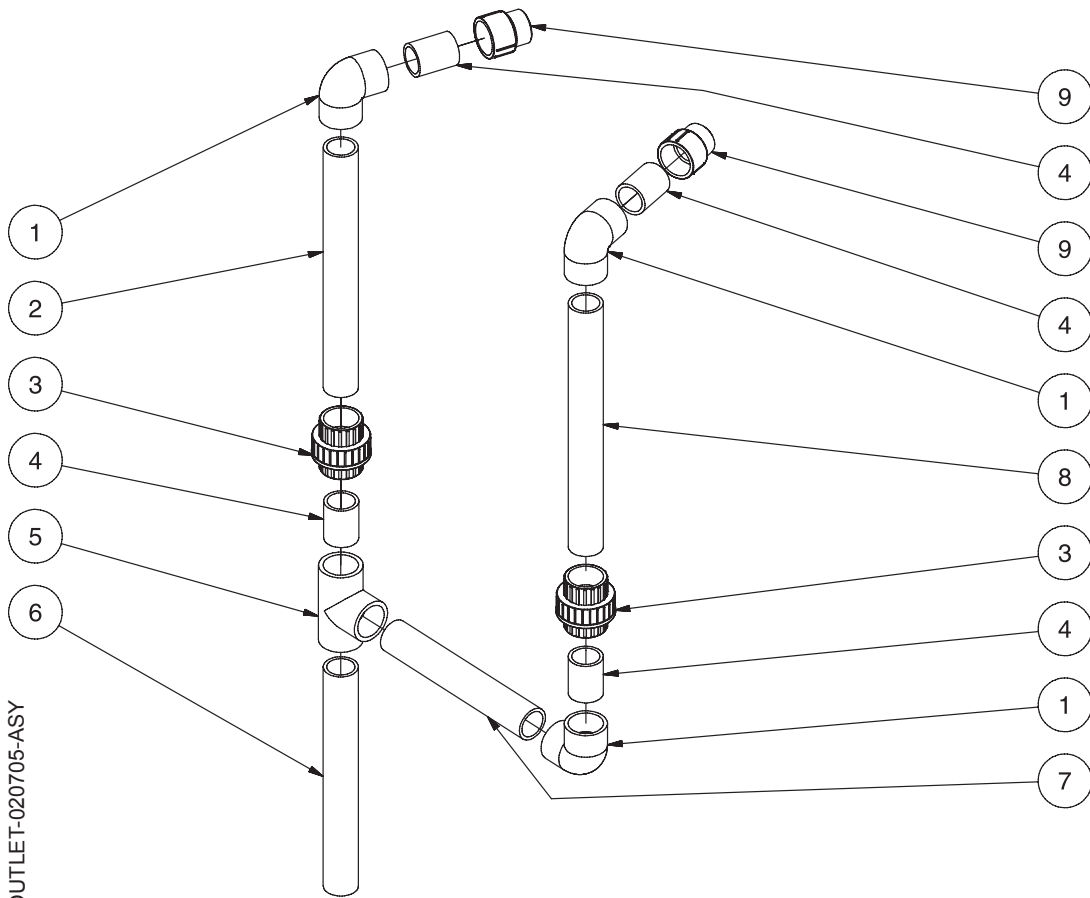


OUTLET RING 600-021605-ASY

OUTLET RING ASSEMBLY (AFTER SERIAL #30000122)			
REF. #	DESCRIPTION	PART#	QTY.
1	Pipe *(2" x 3")	55-1800	2
2	Union (Inc. 25-0449)	55-1845	2
-	O-ring	25-0449	2
3	Pipe *(2" x 2 1/2")	55-1800	2
4	Elbow	55-1809	2
5	Pipe *(2" x 5 1/8")	55-1800	2
6	Nipple	55-1874	2
7	Tee	55-1807	2
8	Flex Pipe	55-0062	1
*Must Order in One Foot Lengths			

OUTLET RING 600-021605-ASY

PLUMBING: CLARIFIER TANK OUTLET ASSEMBLY (AFTER SERIAL #30000122)

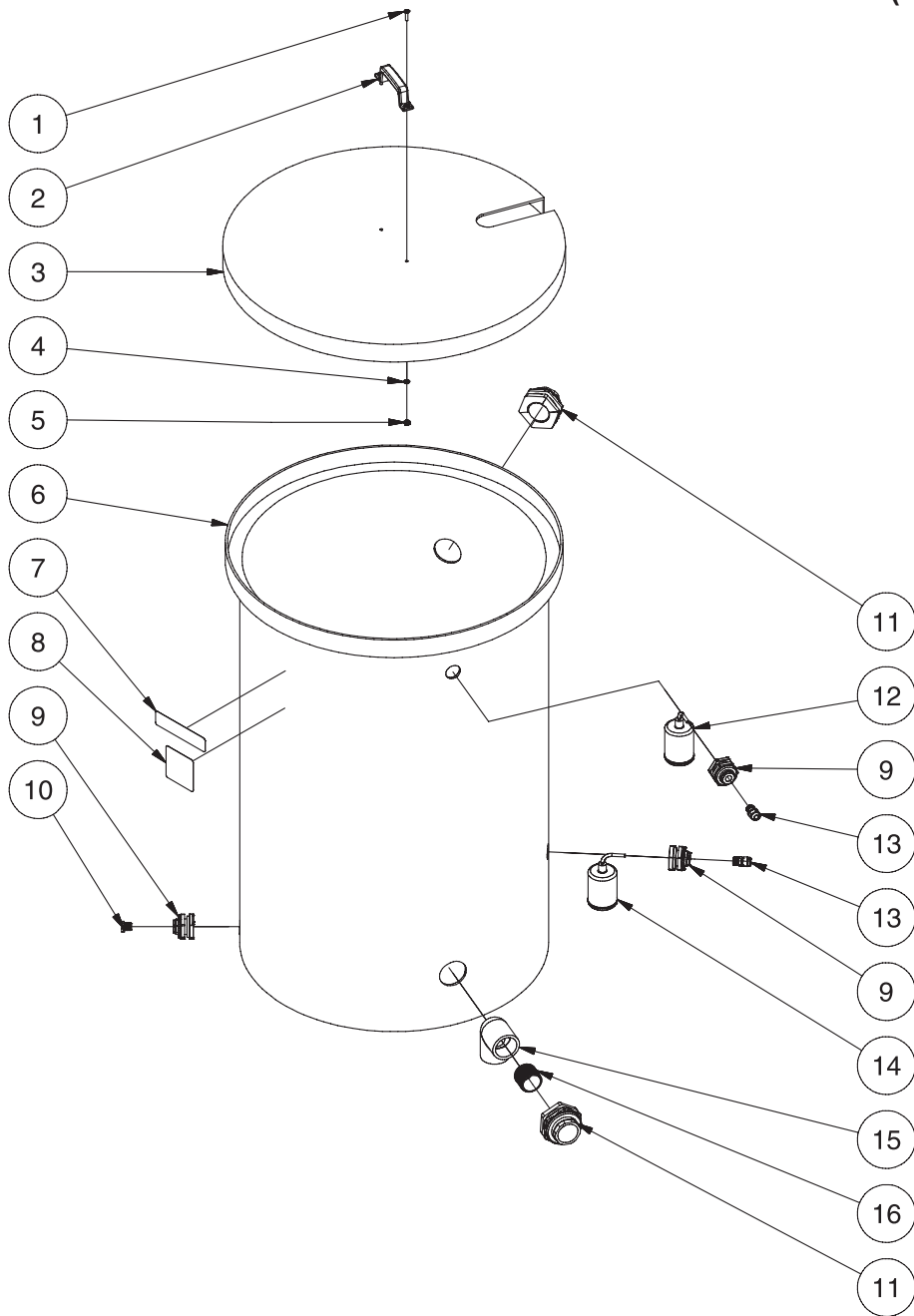


CLARIFIER TANK OUTLET-020705-ASY

CLARIFIER TANK OUTLET-020705-ASY

PLUMBING: CLARIFIER TANK OULET ASSEMBLY (AFTER SERIAL #30000122)			
REF. #	DESCRIPTION	PART#	QTY.
1	Elbow	55-1809	3
2	Pipe *(2" x 19 3/4")	55-1800	1
3	Union (Inc. 25-0449)	55-1845	2
-	O-ring	25-0449	2
4	Pipe *(2" x 3")	55-1800	4
5	Tee	55-1801	1
6	Pipe *(2" x 18")	55-1800	1
7	Pipe *(2" x 13 7/8")	55-1800	1
8	Pipe *(2" x 20")	55-1800	1
9	Adapter- Male	55-1822	2
*Must Order in One Foot Lengths			

HOLDING TANK ASSEMBLY (AFTER SERIAL #30000122)

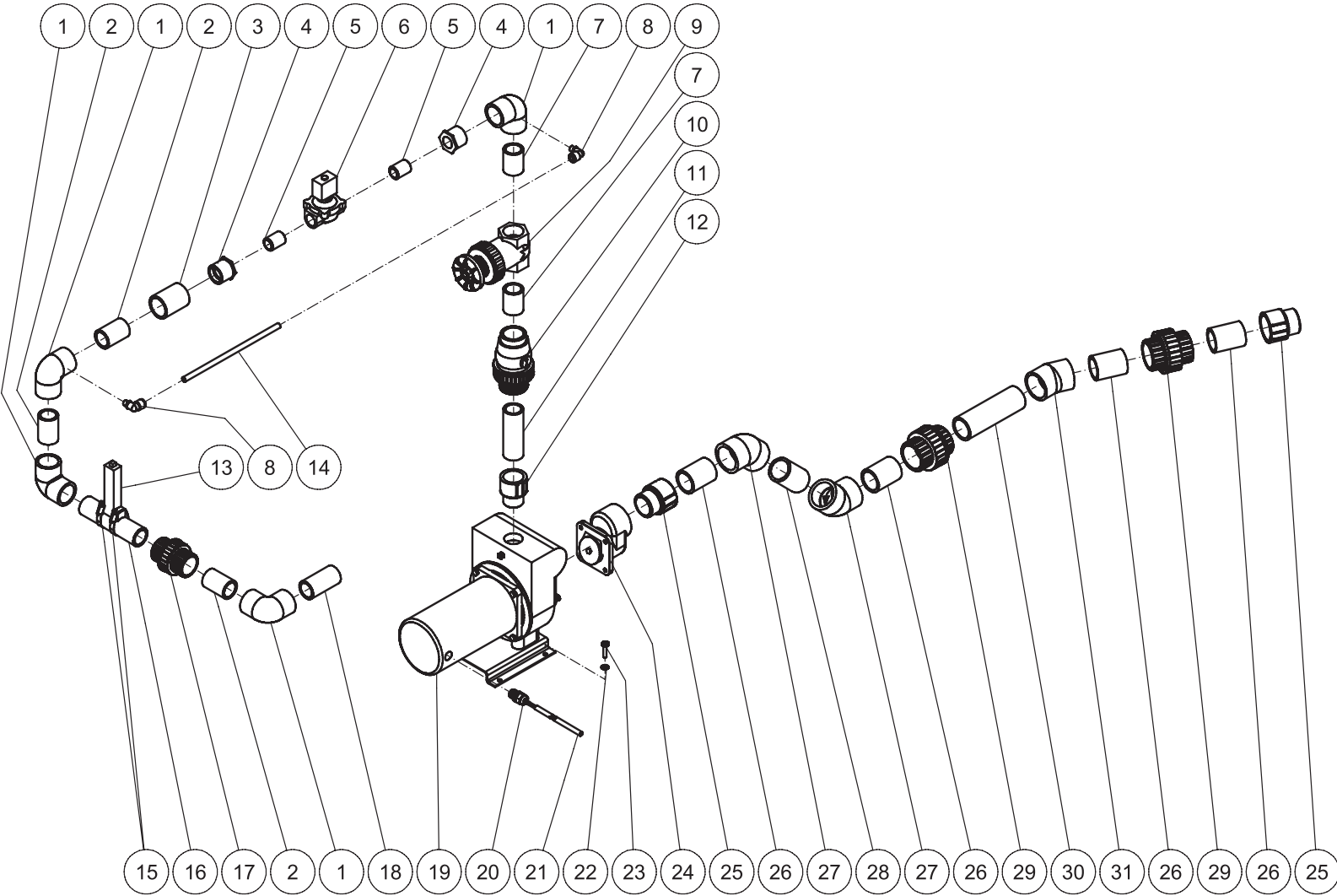


HOLDING TANK ASSY-020705-ASY

HOLDING TANK ASSEMBLY (AFTER SERIAL #30000122)			
REF. #	DESCRIPTION	PART#	QTY.
1	Screw	27-5018	2
2	Handle	7-0164	1
3	Lid	12-0098	1
4	Washer	28-0121	2
5	Locknut	30-5155	2
6	Vertical Tank	12-0095	1
7	Decal- Holding Tank (See 34-9010)	N/A Sep.	1
8	Decal- Caution: Nonpotable Water (See 34-9010)	N/A Sep.	1
9	Bulkhead Fitting (Inc. 25-0506)	55-0886	3
-	Gasket	25-0506	3
10	Plug	55-0840	1
11	Bulkhead Fitting (Inc. 25-0481)	55-1886	3
-	Gasket	25-0481	3
12	Float	32-0664	1
13	Strain Relief	32-0437	2
14	Float	32-0663	1
15	Elbow	55-1810	1
16	Nipple	55-1874	1
	Safety Decal Kit (Inc. 7-8)	34-9010	

HOLDING TANK ASSY-020705-ASY

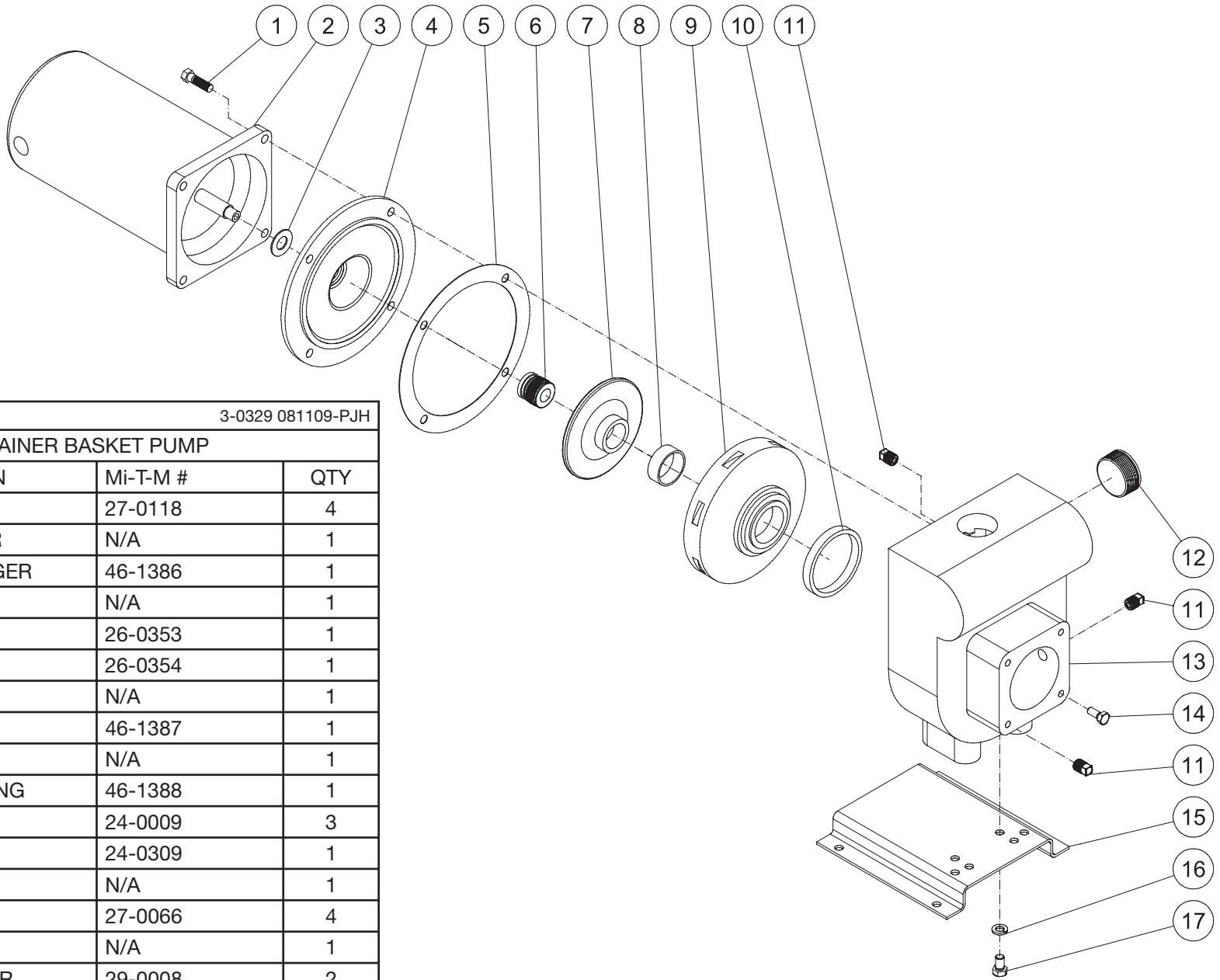
FILTER PUMP ASSEMBLY (AFTER SERIAL #30001104)



FILTER PUMP ASSY WCP-30AB-022310-PJH

FILTER PUMP ASSY WCP-30AB 022310-PJH			
FILTER PUMP ASSEMBLY (AFTER SERIAL #30001104)			
ITEM	DESCRIPTION	PART #	QTY
1	ELBOW	55-1609	4
2	PIPE *(ONE FOOT REQUIRED)	55-1600	3
3	COUPLER	55-1614	1
4	REDUCER	55-1629	2
5	NIPPLE	55-1274	2
6	SOLENOID	22-0441	1
7	PIPE *(ONE FOOT REQUIRED)	55-1600	2
8	ELBOW	55-0108	2
9	GATE VALVE	55-1671	1
10	CHECK VALVE	55-1652	1
11	PIPE 1-1/2" *(ONE FOOT REQUIRED)	55-1600	1
12	ADAPTOR	55-1622	1
13	FLOWMETER	55-0093	1
14	TUBING *(TWO FEET REQUIRED)	15-0252	1
15	HOSE CLAMP	42-0027	2
16	PIPE 1-1/2" CLEAR *(ONE FOOT REQUIRED)	55-1685	1
17	1 1/2" UNION	55-1645	1
18	PIPE 1-1/2" *(ONE FOOT REQUIRED)	55-1600	1
19	PUMP	3-0329	1
-	PUMP	3-0319	1
20	STRAIN RELIEF	32-0437	1
21	CORD	32-0074	1
22	WASHER	28-0122	4
23	BOLT	27-5276	4
24	FLANGE	33-0490	1
25	ADAPTER	55-1822	2
26	PIPE *(ONE FOOT REQUIRED)	55-1800	4
27	ELBOW	55-1812	2
28	PIPE *(ONE FOOT REQUIRED)	55-1800	1
29	UNION	55-1845	2
30	PIPE 2" *(ONE FOOT REQUIRED)	55-1800	1
31	ELBOW	55-1893	1
32	TERMINAL FORK (NOT SHOWN)	32-0003	1
33	TERMINAL FLAG (NOT SHOWN)	32-0492	2
*MUST ORDER IN ONE FOOT LENGTHS			

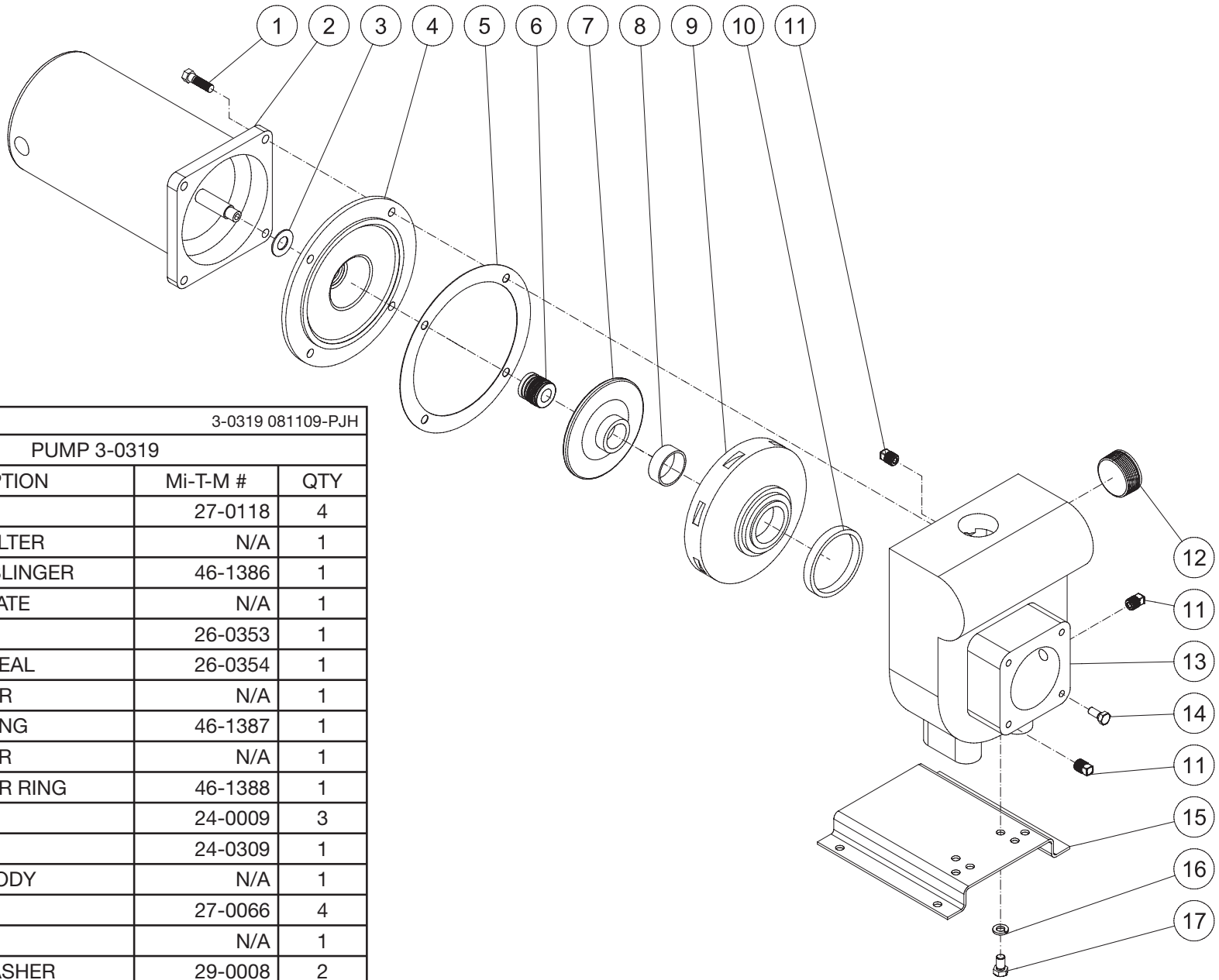
FILTER PUMP (3-0329) (SINGLE PHASE)



3-0329 081109-PJH			
STRAINER BASKET PUMP			
ITEM	DESCRIPTION	Mi-T-M #	QTY
1	BOLT	27-0118	4
2	PUMP/FILTER	N/A	1
3	WATER SLINGER	46-1386	1
4	SEAL PLATE	N/A	1
5	GASKET	26-0353	1
6	SHAFT SEAL	26-0354	1
7	IMPELLER	N/A	1
8	WEAR RING	46-1387	1
9	DIFFUSER	N/A	1
10	DIFFUSER RING	46-1388	1
11	PLUG	24-0009	3
12	PLUG	24-0309	1
13	PUMP BODY	N/A	1
14	BOLT	27-0066	4
15	BASE	N/A	1
16	LOCKWASHER	29-0008	2
17	BOLT	N/A	2

3-0329 081109-JJT

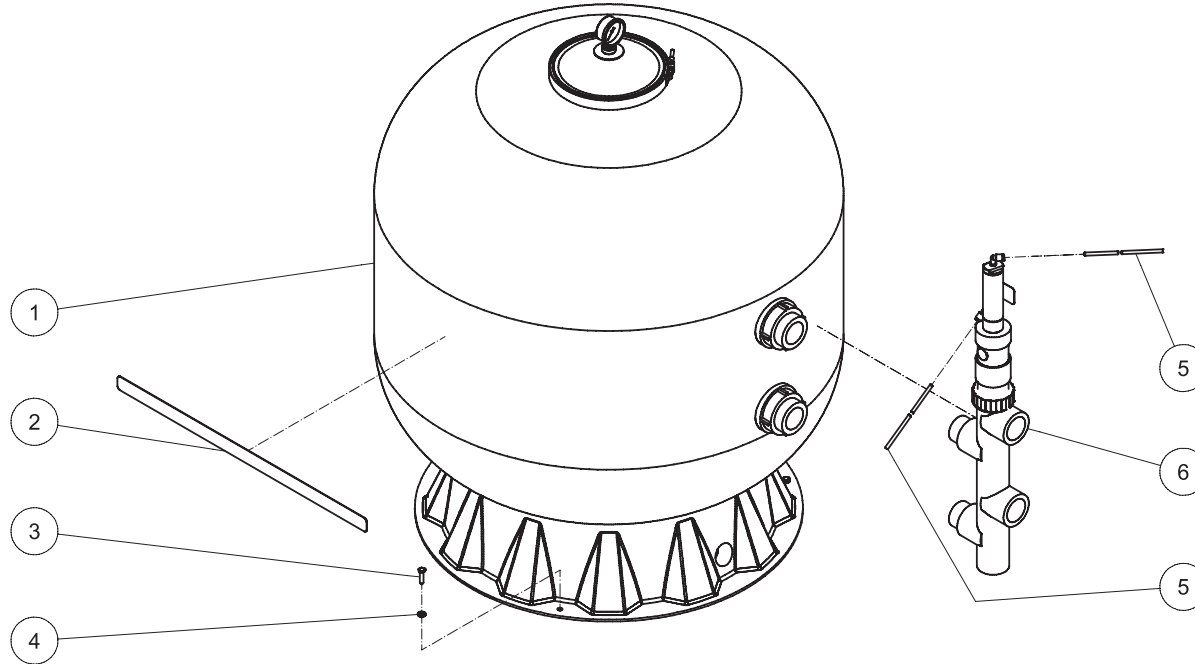
FILTER PUMP (3-0319) (THREE PHASE)



3-0319 081109-PJH			
PUMP 3-0319			
ITEM	DESCRIPTION	Mi-T-M #	QTY
1	BOLT	27-0118	4
2	PUMP/FILTER	N/A	1
3	WATER SLINGER	46-1386	1
4	SEAL PLATE	N/A	1
5	GASKET	26-0353	1
6	SHAFT SEAL	26-0354	1
7	IMPELLER	N/A	1
8	WEAR RING	46-1387	1
9	DIFFUSER	N/A	1
10	DIFFUSER RING	46-1388	1
11	PLUG	24-0009	3
12	PLUG	24-0309	1
13	PUMP BODY	N/A	1
14	BOLT	27-0066	4
15	BASE	N/A	1
16	LOCKWASHER	29-0008	2
17	BOLT	N/A	2

3-0319-081109-PJH

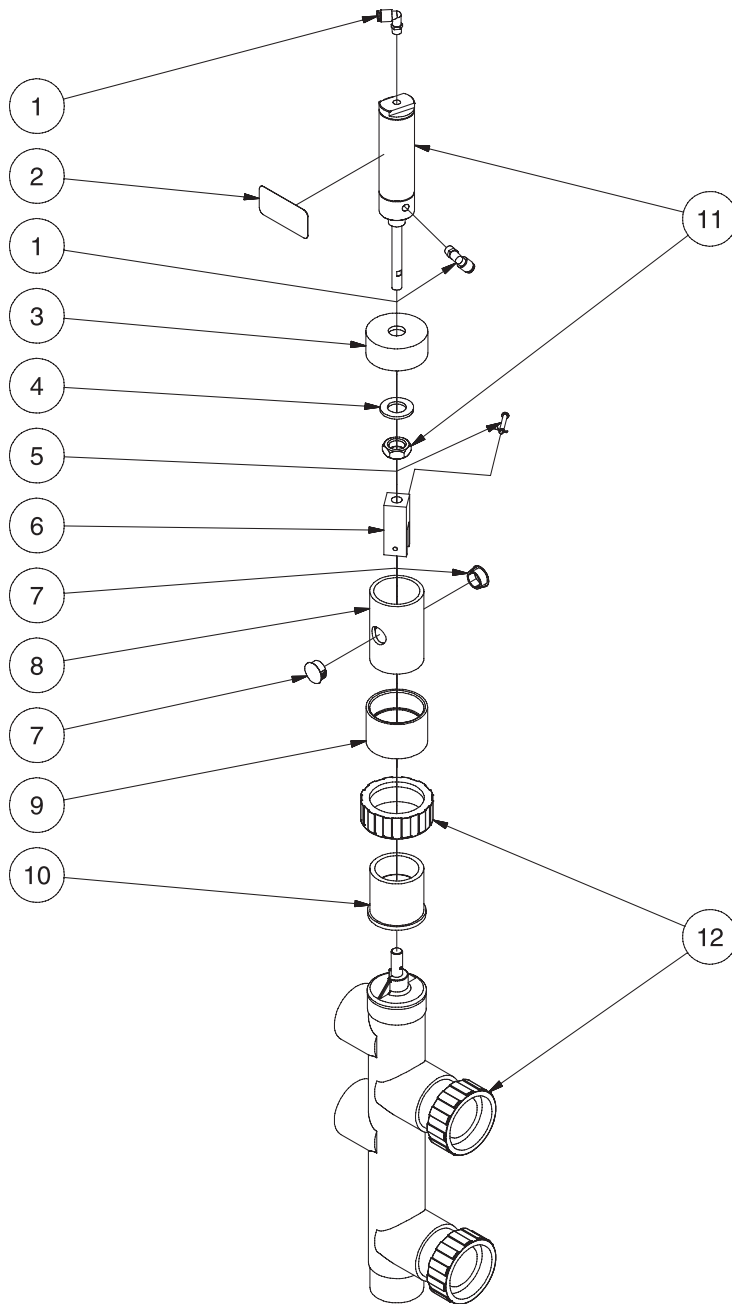
MULTI-MEDIA FILTER ASSEMBLY (AFTER SERIAL #3001104)



MULTIMEDIA FILTER ASSEMBLY - WCP-30AB 022610			
MULTI MEDIA FILTER (AFTER SERIAL #30001104)			
ITEM	DESCRIPTION	PART #	QTY
1	MEDIA FILTER	19-0562	1
2	DECAL - MULTI MEDIA FILTER (SEE 34-9010)	N/A	1
3	BOLT	27-5277	3
4	WASHER	28-0121	3
5	HOSE	15-0240	2
6	VALVE ASSEMBLY	N/A	1
7	STRAP ASSEMBLY (NOT SHOWN)	33-0315	1
8	GRAVEL (100 LB BAG NOT SHOWN)	33-0303	3
9	GARNET #12 (100 LB BAG NOT SHOWN)	33-0304	2
10	GARNET #80 (50 LB BAG NOT SHOWN)	33-0403	6
11	FILTER AG (50 LB BAG NOT SHOWN)	33-0306	2

MULTI-MEDIA FILTER ASSY-022610-PJH

VALVE ASSEMBLY (AFTER SERIAL #30000122)

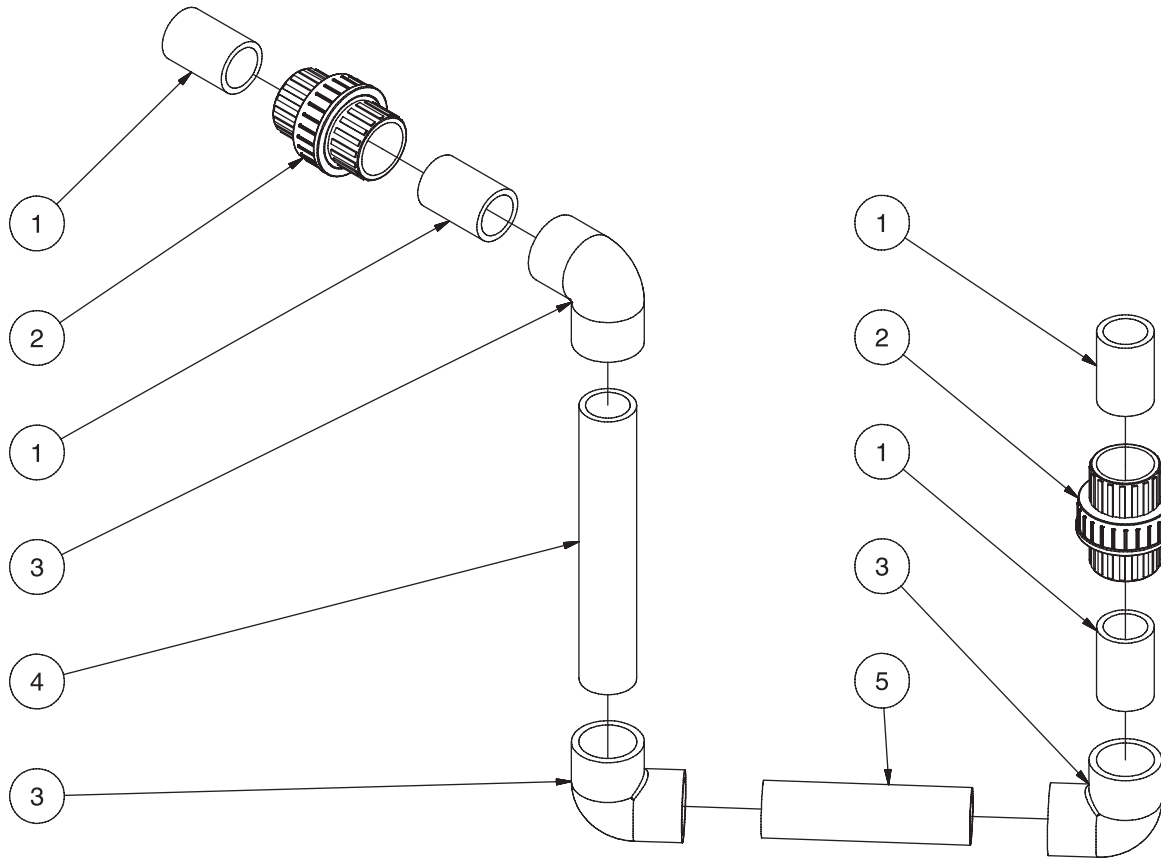


VALVE ASSY-022805-ASY

VALVE ASSEMBLY (AFTER SERIAL #30000122)			
REF. #	DESCRIPTION	PART#	QTY.
1	Elbow	55-0104	2
2	Decal- Warning: Moving Parts	34-1634	1
3	Slip Cap	55-1889	1
4	Flatwasher	28-1048	1
5	Pin	43-0116	1
6	Cylinder	56-0055	1
7	Plug	39-0014	2
8	Pipe *(One Foot Required)	55-1805	1
9	Coupler	55-1815	1
10	Adapter	55-0103	1
11	Air Cylinder	22-0387	1
12	Slide Valve	55-0101	1
*Must Order in One Foot Lengths			

VALVE ASSY-022805-ASY

PLUMBING: MEDIA FILTER TO POLISHING FILTER (AFTER SERIAL #30000122)

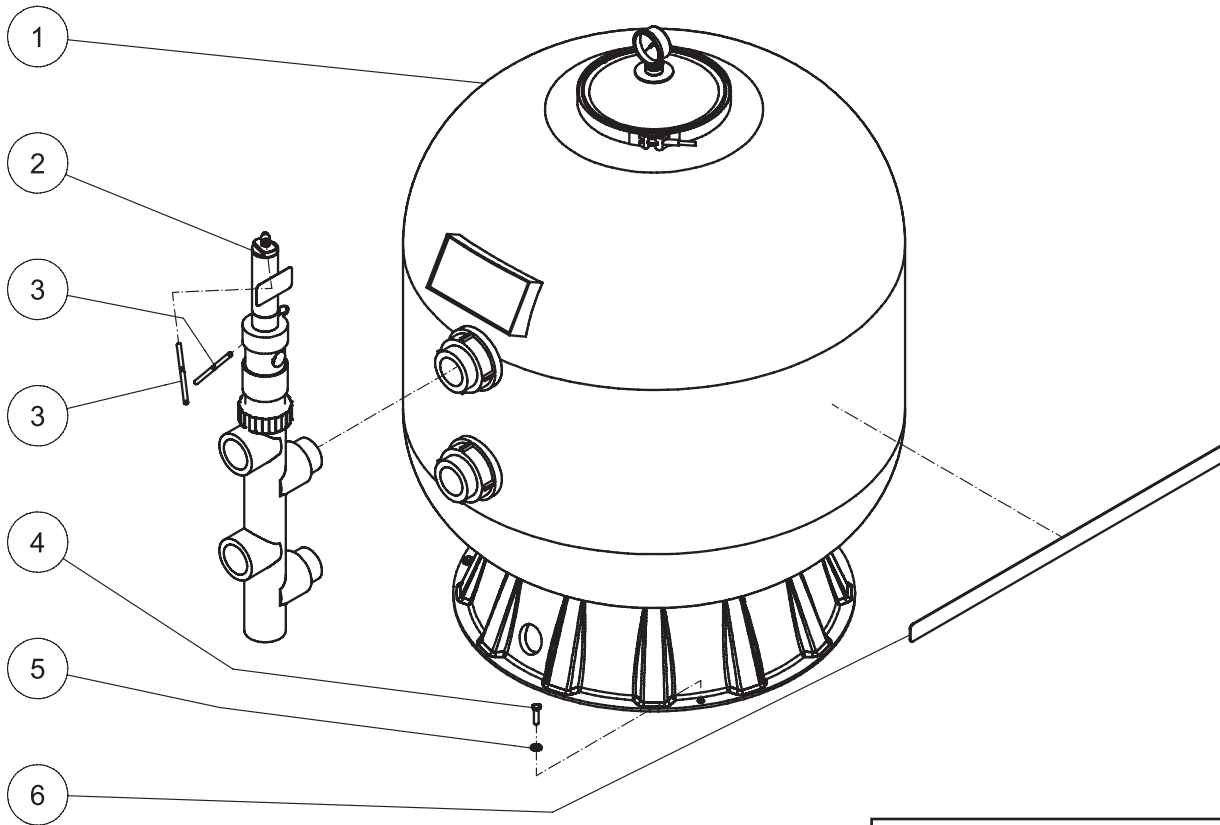


MEDIA FILTER TO POLISHING FILTER-020805-ASY

PLUMBING: MEDIA FILTER TO POLISHING FILTER (AFTER SERIAL #30000122)			
REF. #	DESCRIPTION	PART#	QTY.
1	Pipe *(1-1/2" x 2 3/4")	55-1600	4
2	Union (Inc. 25-0448)	55-1645	2
-	O-ring	25-0448	2
3	Elbow	55-1609	3
4	Pipe *(1 1/2" x 11")	55-1600	1
5	Pipe *(1 1/2" x 6 7/8")	55-1600	1
*Must Order in One Foot Lengths			

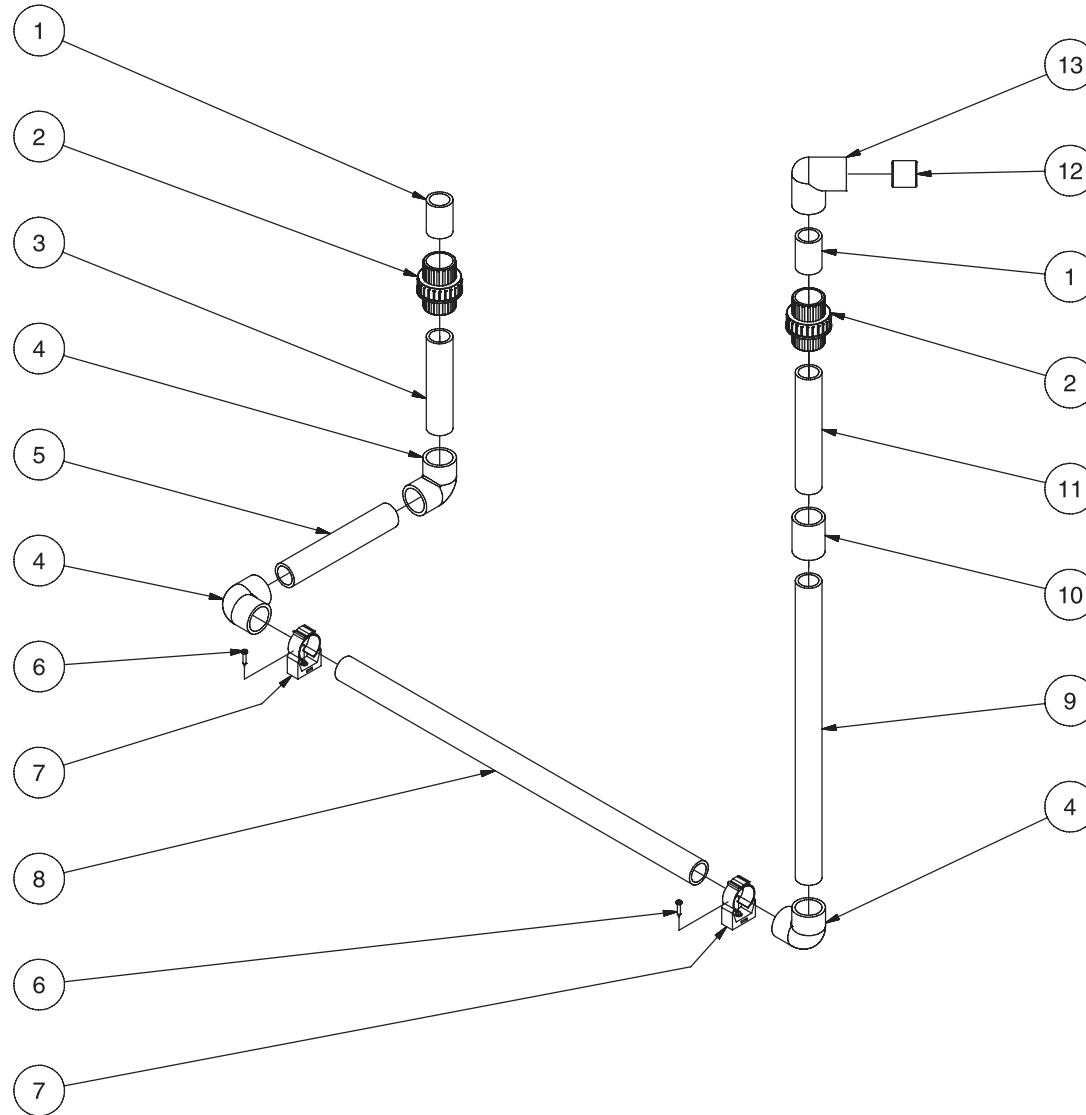
MEDIA FILTER TO POLISHING FILTER-020805-ASY

POLISHING FILTER ASSEMBLY (AFTER SERIAL #30001104)



POLISHING FILTER ASSEMBLY WCP-30AB 022610 PJH			
POLISHING FILTER ASSEMBLY (AFTER SERIAL #30001104)			
ITEM	DESCRIPTION	PART #	QTY
1	MEDIA FILTER	19-0561	1
2	VALVE ASSEMBLY	N/A	1
3	HOSE *(FIVE FEET REQUIRED)	15-0240	2
4	BOLT	27-5277	3
5	WASHER	28-0121	3
6	DECAL - POLISHING FILTER (SEE 34-9010)	N/A	1
7	STRAP ASSEMBLY (NOT SHOWN)	33-0315	1
8	ACTIVATED CARBON (55 LB BAG NOT SHOWN)	33-0302	3
*MUST ORDER IN ONE FOOT LENGTHS			

PLUMBING: POLISHING FILTER TO PRODUCT TANK (AFTER SERIAL #30000122)

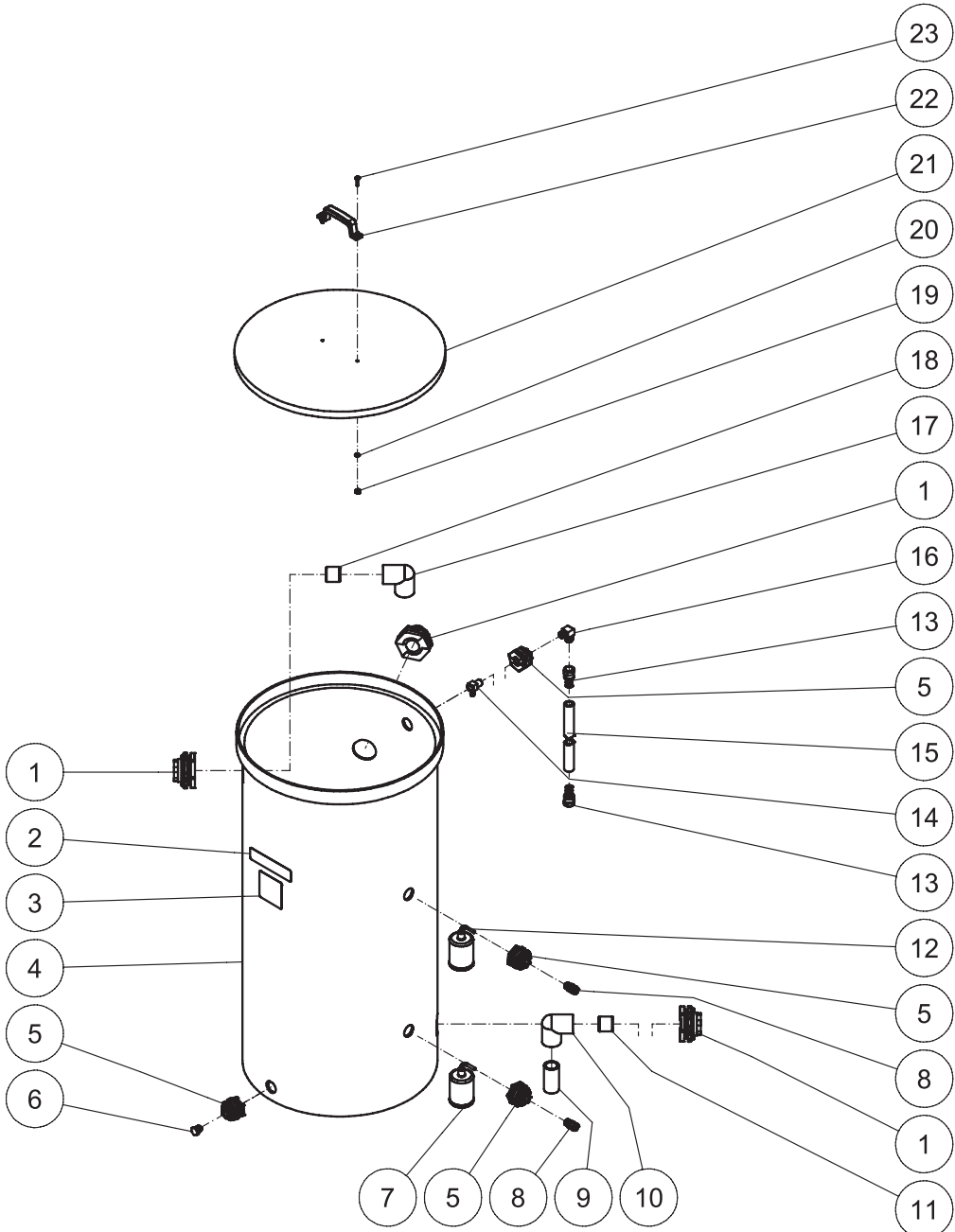


POLISHING FILTER TO PRODUCT TANK-020705-ASY

POLISHING FILTER TO PRODUCT TANK-020705-ASY

PLUMBING: POLISHING FILTER TO PRODUCT TANK (AFTER SERIAL #30000122)			
REF. #	DESCRIPTION	PART#	QTY.
1	Pipe *(1 1/2" x 2 3/4")	55-1600	2
2	Union (Inc. 25-0448)	55-1645	2
-	O-ring	25-0448	2
3	Pipe *(1 1/2" x 8")	55-1600	1
4	Elbow	55-1609	3
5	Pipe *(1 1/2" x 10 1/2")	55-1600	1
6	Screw	27-5278	2
7	Clamp	42-0026	2
8	Pipe *(1 1/2" x 35 5/8")	55-1600	1
9	Pipe *(1 1/2" x 25 7/8")	55-1600	1
10	Coupler	55-1614	1
11	Pipe *(1 1/2" x 10")	55-1685	1
12	Nipple	55-1674	1
13	Elbow	55-1610	1
*Must Order in One Foot Lengths			

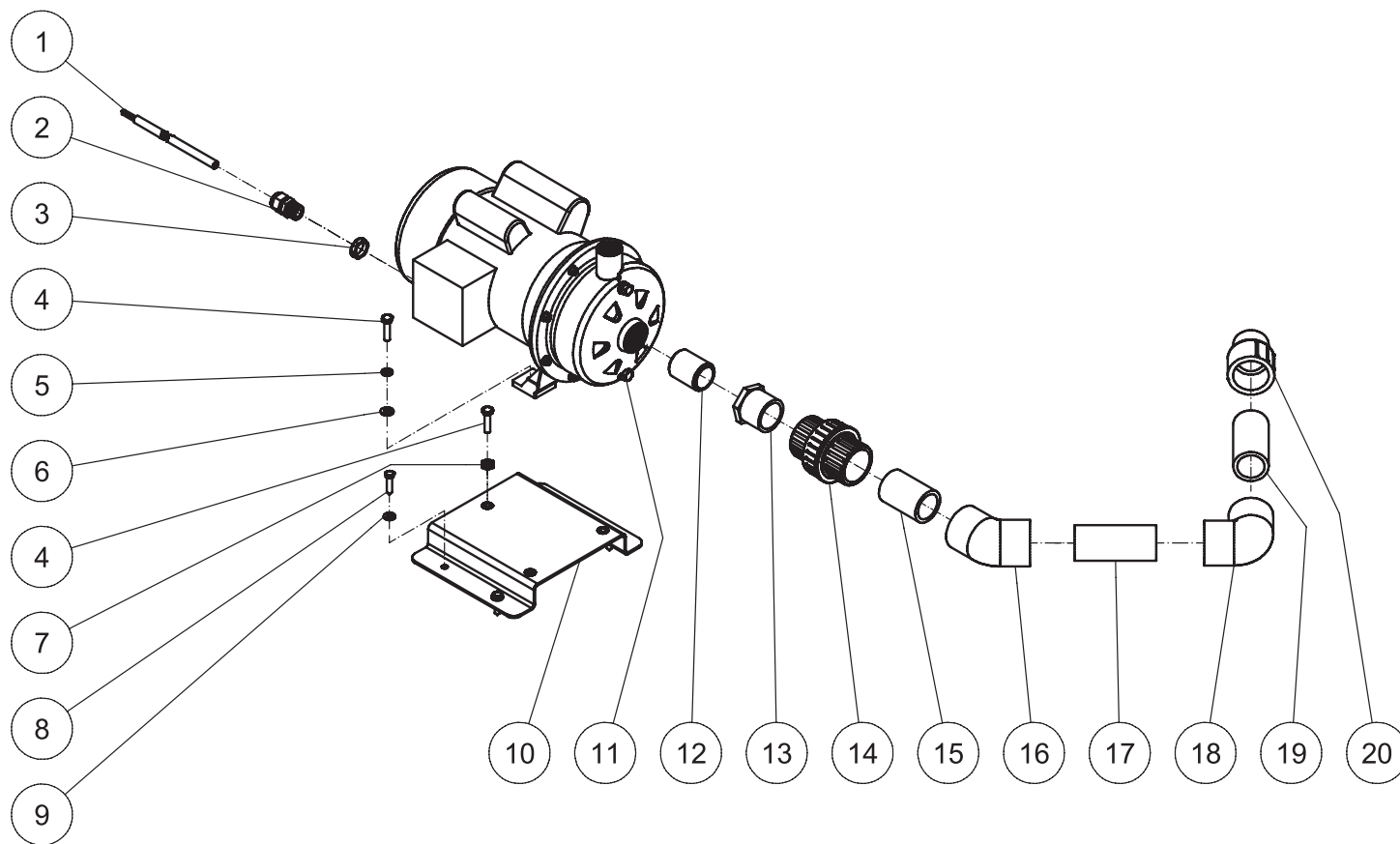
PRODUCT TANK ASSEMBLY (AFTER SERIAL #30000389)



PRODUCT TANK ASSY WCP-30AB -022610-PJH

PRODUCT TANK ASSY WCP-30AB 022610-PJH			
PRODUCT TANK ASSEMBLY (AFTER SERIAL #30000389)			
ITEM	DESCRIPTION	PART #	QTY
1	BULKHEAD (INC. 25-0481 GASKET)	55-1686	3
2	DECAL - PRODUCT TANK (SEE 34-9010)	N/A	1
3	DECAL - NONPOTABLE WATER (SEE 34-9010)	N/A	1
4	PRODUCT TANK	12-0094	1
5	BULKHEAD (INC. 25-0506 GASKET)	55-0886	4
6	PLUG	55-0840	1
7	FLOAT	32-0663	1
8	STRAIN RELIEF	32-0437	2
9	PIPE 1-1/2" *(ONE FOOT REQUIRED)	55-1600	1
10	ELBOW	55-1610	1
11	NIPPLE	55-1674	1
12	FLOAT	32-0664	1
13	BARB	23-0358	2
14	ELBOW	23-0053	1
15	HOSE *(SIX FEET REQUIRED)	15-0033	1
16	ELBOW	23-0363	1
17	ELBOW	55-1610	1
18	NIPPLE	55-1674	1
19	LOCKNUT	30-5155	2
20	WASHER	28-0121	2
21	TANK LID	12-0097	1
22	HANDLE	7-0164	1
23	BOLT	27-5018	2
*MUST ORDER IN ONE FOOT LENGTHS			

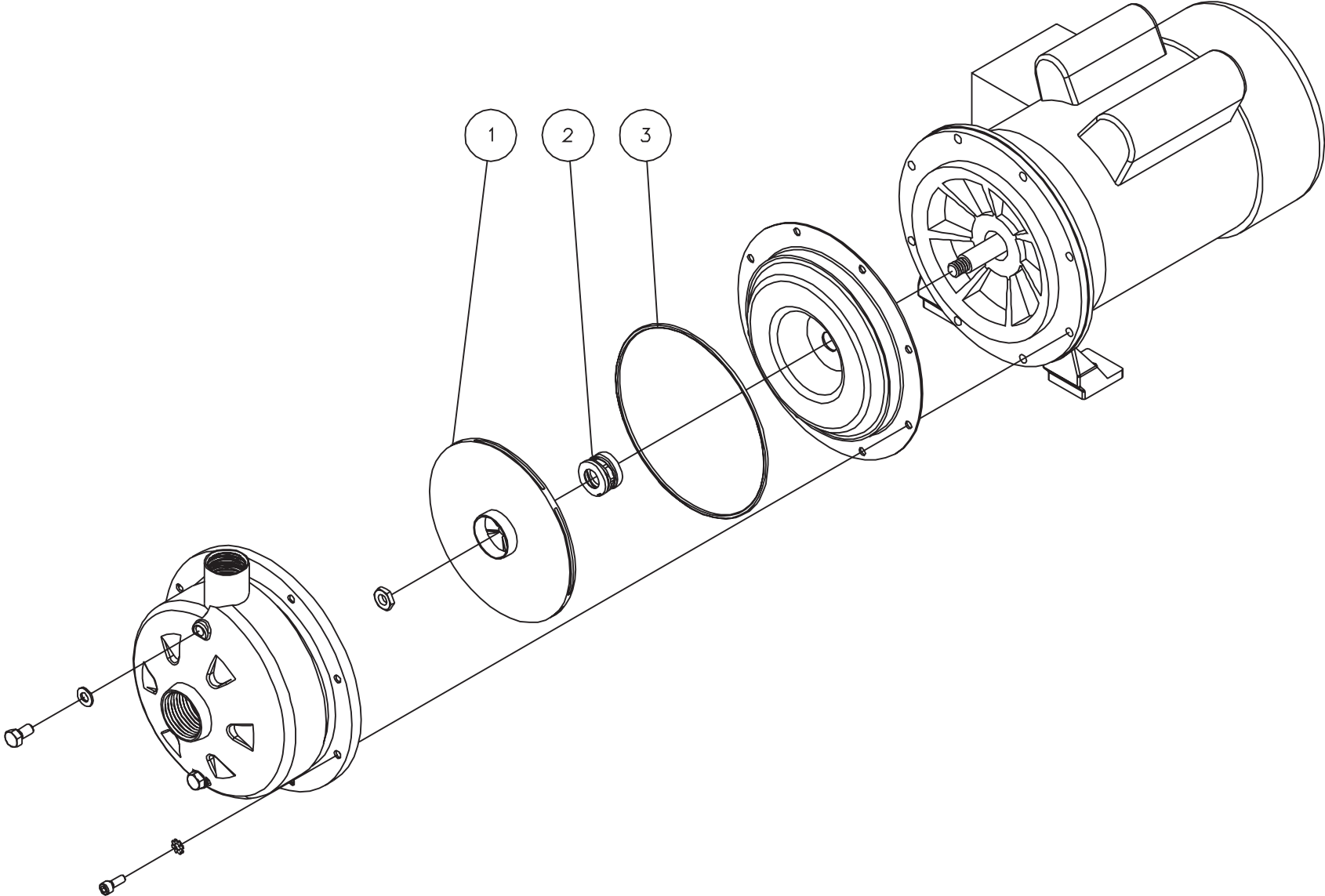
TRANSFER PUMP ASSEMBLY (AFTER SERIAL #30000389)



TRANSFER PUMP ASSY WCP-30AB-030110-PJH

TRANSFER PUMP ASSEMBLY WCP-30AB 030110-PJH			
TRANSFER PUMP ASSEMBLY (AFTER SERIAL #30000389)			
ITEM	DESCRIPTION	PART #	QTY
1	CORD	32-0074	1
2	STRAIN RELIEF	32-0437	1
3	ELECTRICAL LOCKNUT	32-0108	1
4	BOLT	27-8963	3
5	LOCKWASHER	29-1007	2
6	WASHER	28-0122	2
7	NUT	30-0004	1
8	BOLT	27-5277	4
9	WASHER	28-0121	4
10	PUMP HAT	21-0140	1
11	PUMP 1 PHASE	3-0218	1
-	PUMP 3 PHASE	3-0324	1
12	NIPPLE	55-1474	1
13	REDUCER	55-1628	1
14	1 1/2" UNION	55-1645	1
15	PIPE *(ONE FOOT REQUIRED)	55-1600	1
16	ELBOW	55-1612	1
17	PIPE 1-1/2" *(ONE FOOT REQUIRED)	55-1600	1
18	ELBOW	55-1609	1
19	PIPE 1-1/2" *(ONE FOOT REQUIRED)	55-1600	1
20	ADAPTER	55-1622	1
21	CRIMPED WIRE SPLICE	32-0359	2
22	TERMINAL FORK	32-0033	1
*MUST ORDER IN ONE FOOT LENGTHS			

TRANSFER PUMP

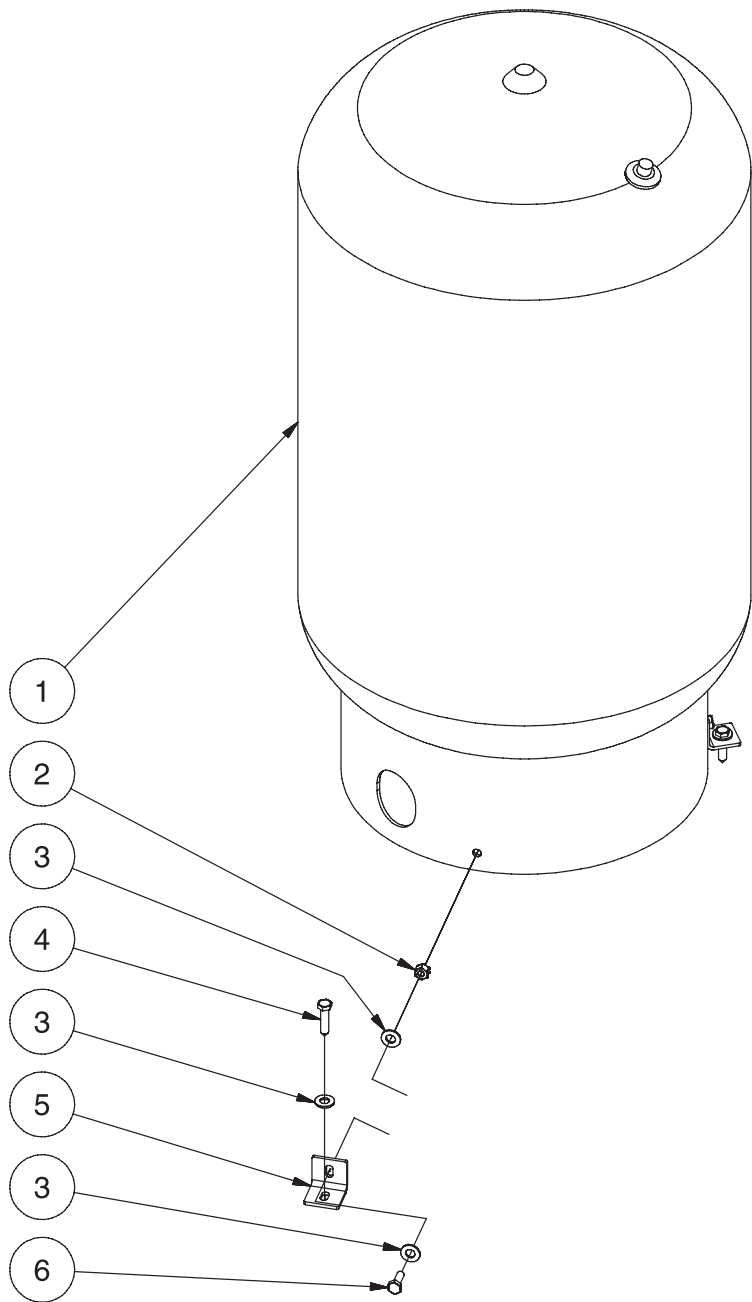


3-0218-070202-KS

3-0218-070202-KS

TRANSFER PUMP (3-0218)			
REF. #	DESCRIPTION	PART #	QTY.
1	Impeller	46-1073	1
2	Seal	26-0266	1
3	O-ring	25-0540	1
	Complete Transfer Pump (Single phase)	3-0218	
	Complete Transfer Pump (Three phase)	3-0324	

PRESSURE TANK ASSEMBLY (AFTER SERIAL #30000122)

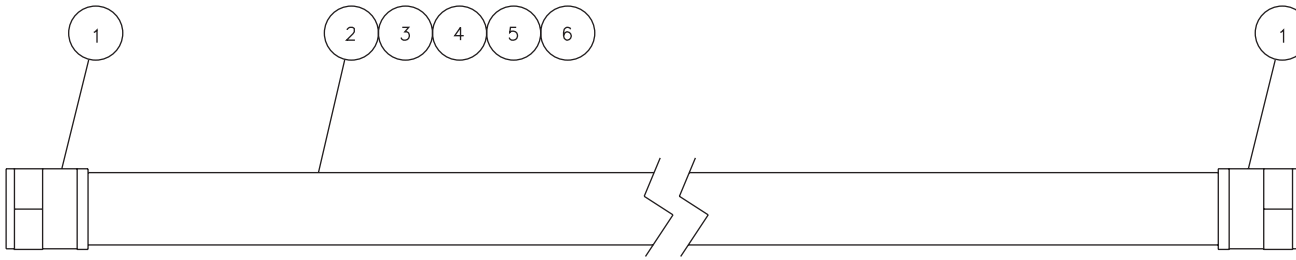


PRESSURE TANK ASSY-021605-ASY

PRESSURE TANK ASSEMBLY (AFTER SERIAL #30000122)			
REF. #	DESCRIPTION	PART#	QTY.
1	Vertical Perssure Tank	12-0081	1
2	Locknut	30-5155	3
3	Washer	28-0122	9
4	Lag Bolt	27-5277	3
5	Pressure Tank Hold Down Bracket	21-0127	3
6	Bolt	27-5016	3

PRESSURE TANK ASSY-021605-ASY

HOSE ASSEMBLIES

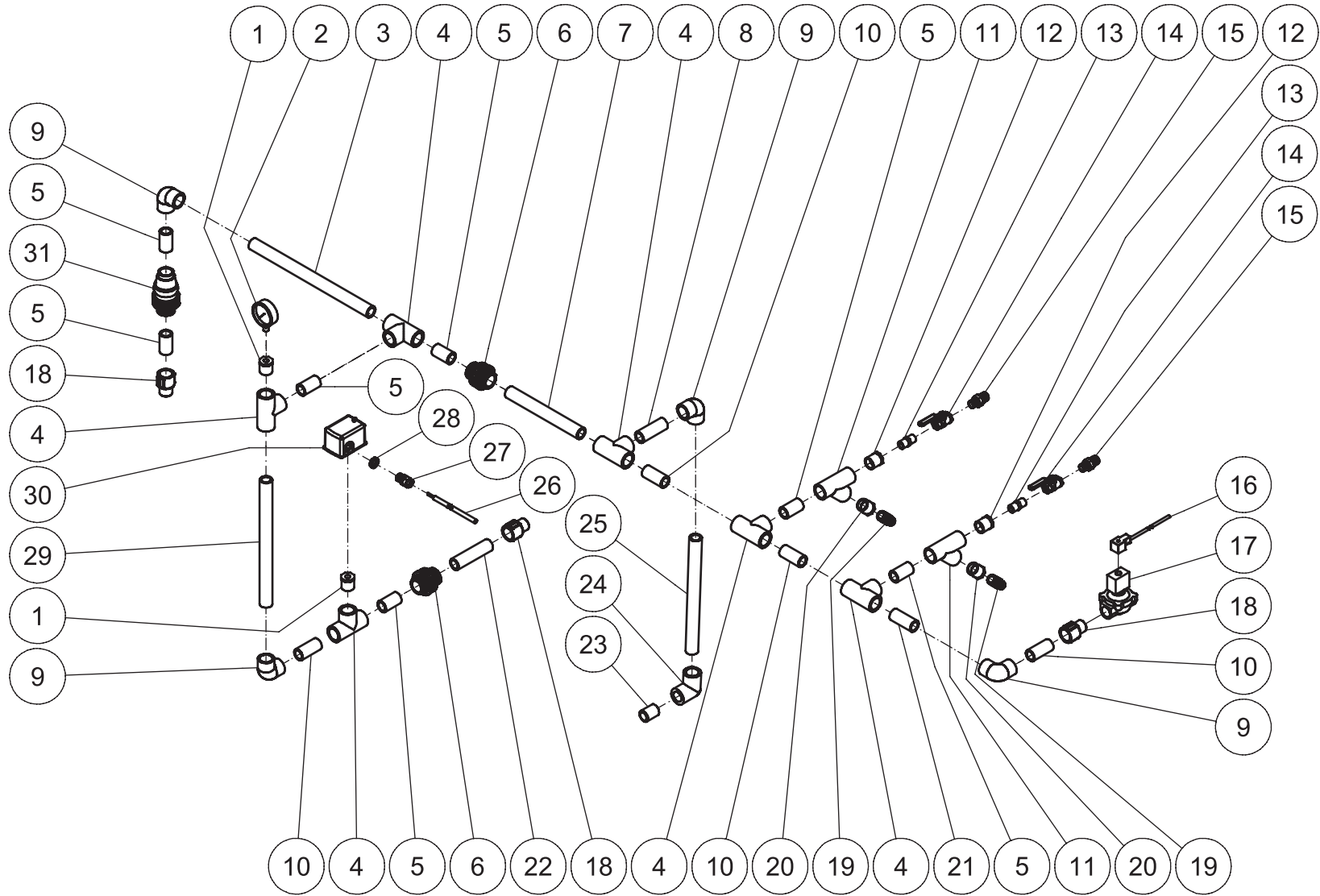


HOSE ASSY-090302-KS

HOSE ASSEMBLIES				
REF. #	HOSE CONNECTION #	DESCRIPTION	PART#	QTY.
1	-	Hose Barb	23-0358	10
2	H 1	Clarifier Tank Clean-out Hose *(Three Feet Required)	15-0033	1
3	H 2	Clarifier Drain Clean-out Hose *(Three Feet Required)	15-0033	1
4	H 3	Pressure Washer Hose *(Two Feet Required)	15-0033	1
5	H 4	Pressure Washer Hose *(Two Feet Required)	15-0033	1
6	H 5	Fresh Water Make-up Hose *(Six Feet Required)	15-0033	1
*Must Order in One Foot Lengths				

HOSE ASSY WCP-30AB-090302-KS

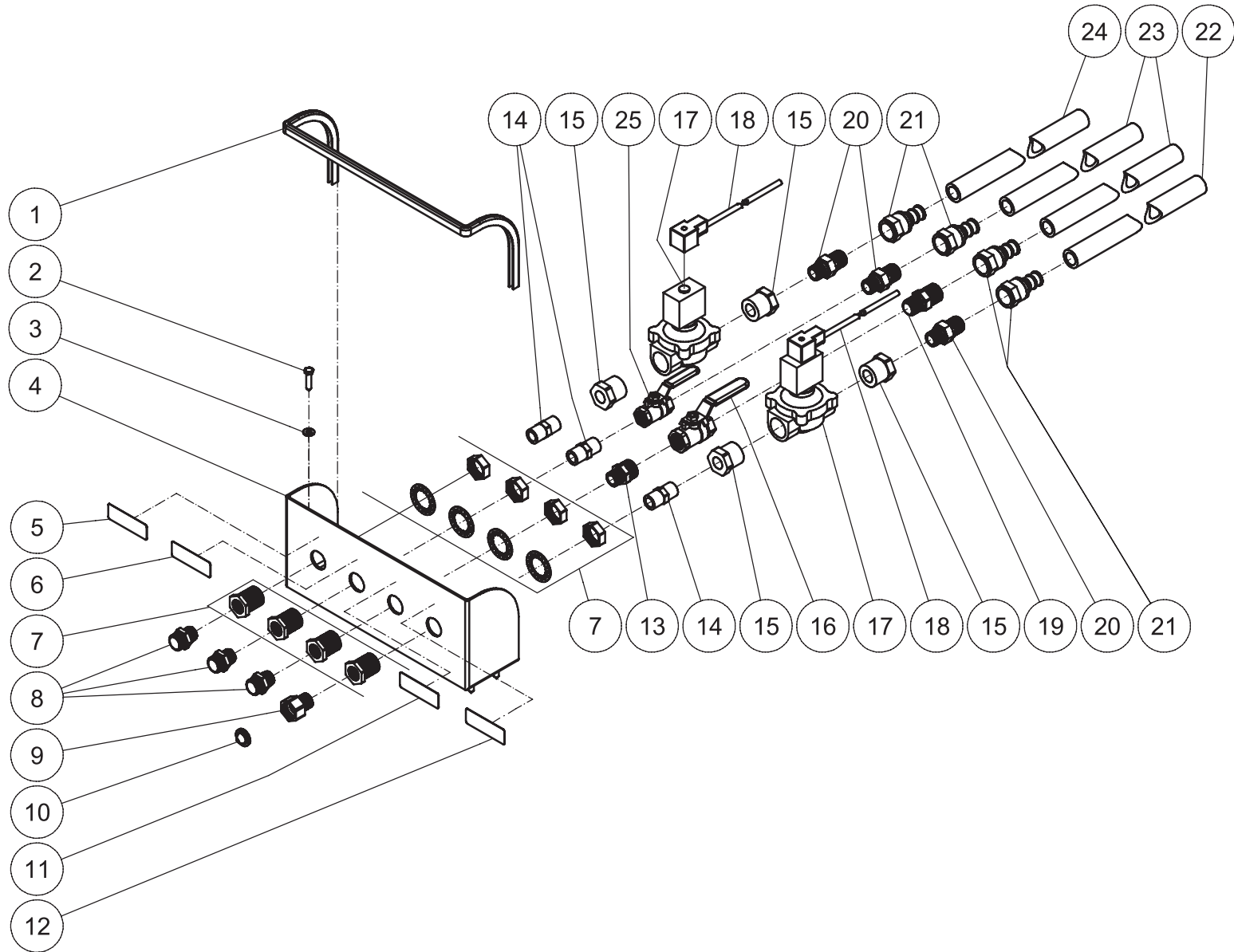
PLUMBING: MANIFOLD ASSEMBLY (AFTER SERIAL #30001104)



MANIFOLD PLUMBING-wcp-30ab 022610-PJH

MANIFOLD PLUMBING WCP-30AB 022610-PJH			
PLUMBING: MANIFOLD ASSEMBLY (AFTER SERIAL #30001104)			
ITEM	DESCRIPTION	PART #	QTY
1	REDUCER	55-1231	2
2	PRESSURE GAUGE	22-0280	1
3	PIPE - 1" *(TWO FEET REQUIRED)	55-1200	1
4	TEE	55-1201	6
5	PIPE *(ONE FOOT REQUIRED)	55-1200	7
6	UNION	55-1245	2
7	PIPE *(ONE FOOT REQUIRED)	55-1200	1
8	PIPE - 1" *(ONE FOOT REQUIRED)	55-1200	1
9	ELBOW	55-1209	4
10	PIPE *(ONE FOOT REQUIRED)	55-1200	4
11	WYE	55-1292	2
12	REDUCER	55-1229	2
13	NIPPLE	23-0012	2
14	BALL VALVE	22-0278	2
15	NIPPLE	23-0359	2
16	CORDSET	32-0786	1
17	SOLENOID-NC	22-0442	1
18	ADAPTER	55-1222	3
19	NIPPLE	23-0362	2
20	REDUCER	55-1228	2
21	PIPE *(ONE FOOT REQUIRED)	55-1200	1
22	PIPE *(ONE FOOT REQUIRED)	55-1200	1
23	NIPPLE	55-1274	1
24	ELBOW	55-1210	1
25	PIPE - 1" *(TWO FEET REQUIRED)	55-1200	1
26	CORD *(SIX FEET REQUIRED)	32-0075	1
27	STRAIN RELIEF	32-0437	1
28	ELECTRICAL LOCKNUT	32-0108	1
29	PIPE - 1" *(TWO FEET REQUIRED)	55-1200	1
30	PRESSURE SWITCH	22-0304	1
31	CHECK VALVE	55-1252	1
*MUST ORDER IN ONE FOOT LENGTHS			

MANIFOLD ASSEMBLY (AFTER SERIAL #30001104)



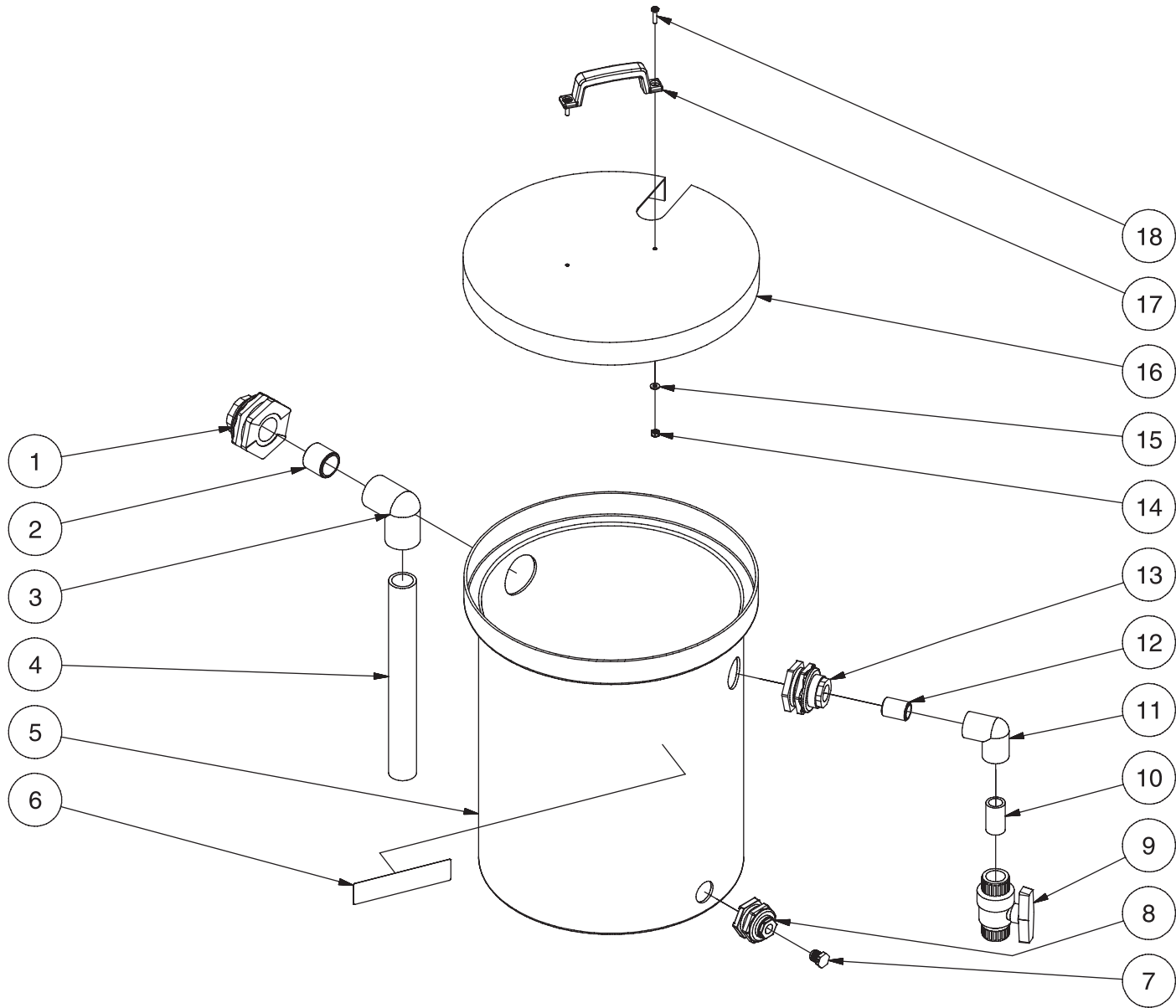
MANIFOLD ASSY WCP-30AB 022510-PJH

MANIFOLD ASSEMBLY

ITEM	DESCRIPTION	PART #	QTY
1	EDGING *(THREE FEET REQUIRED)	33-0020	1
2	BOLT	27-5277	4
3	WASHER	28-0121	4
4	MANIFOLD	21-0116	1
5	DECAL - RAIN WATER OVERFLOW (SEE 34-9010)	34-0878	1
6	DECAL - RINSE WATER OUTLET (SEE 34-9010)	34-0876	1
7	ADAPTER	23-0365	4
8	ADAPTER	23-0136	3
9	SWIVEL	23-0095	1
10	FILTER	19-0001	1
11	DECAL - PRESSURE WASHER OUTLET (SEE 34-9010)	34-0877	1
12	DECAL - FRESH WATER INLET (SEE 34-9010)	34-0879	1
13	NIPPLE	23-0082	1
14	NIPPLE	23-0012	3
15	REDUCER	23-0226	4
16	BALL VALVE	22-0279	1
17	SOLENOID-NC	22-0442	2
18	CORDSET	32-0786	2
19	NIPPLE	23-0362	1
20	NIPPLE	23-0359	3
21	HOSE BARB	23-0358	4
22	HOSE *(SIX FEET REQUIRED)	15-0033	1
23	HOSE *(THREE FEET REQUIRED)	15-0033	2
24	HOSE *(FOUR FEET REQUIRED)	15-0033	1
25	BALL VALVE	22-0278	1

*MUST ORDER IN ONE FOOT LENGTHS

OIL DECANTER ASSEMBLY (AFTER SERIAL #30000122)

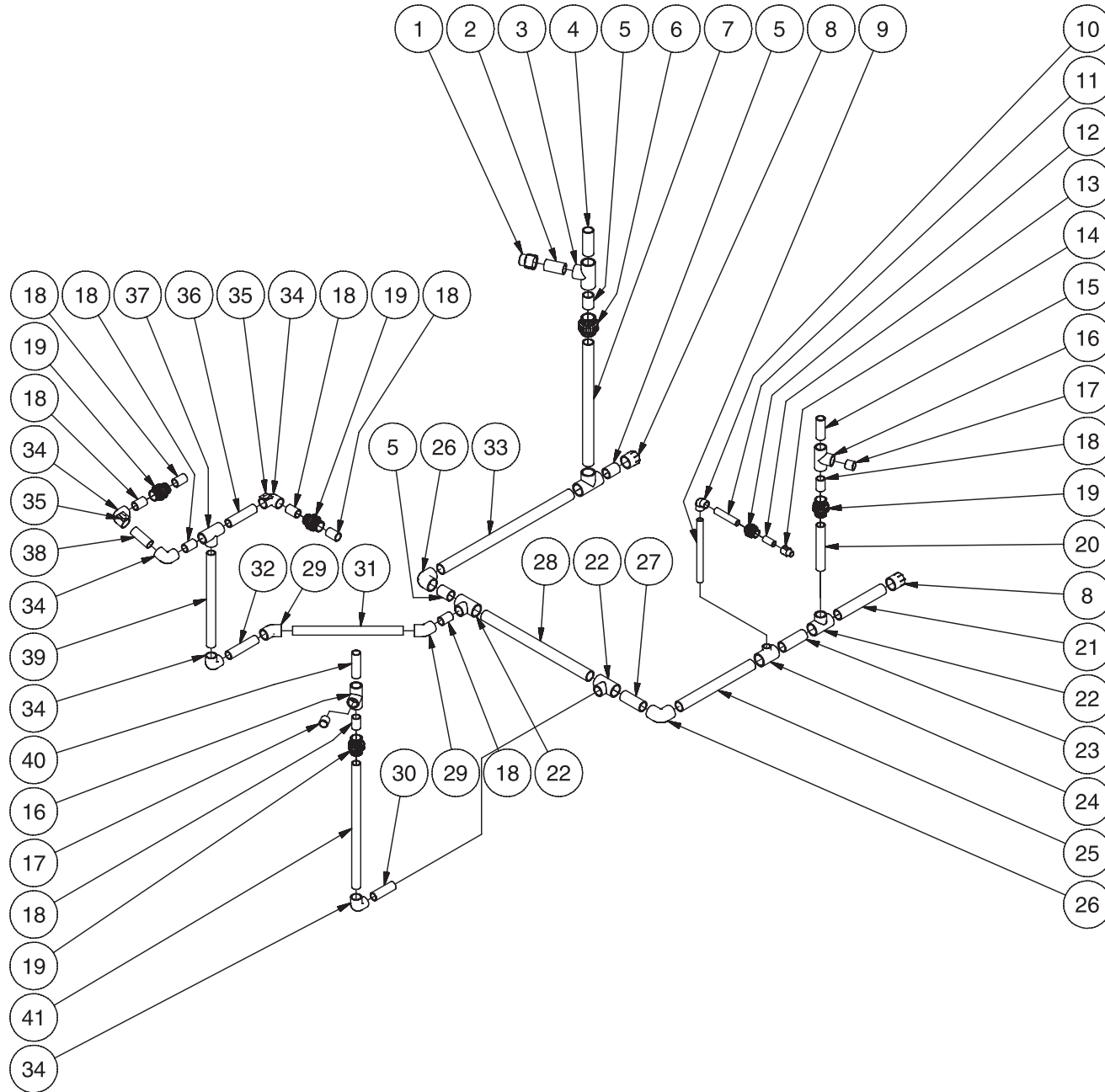


OIL DECANTER-020805-ASY

OIL DECANTER ASSY-020805-ASY

OIL DECANTER ASSEMBLY (AFTER SERIAL #30000122)								
REF. #	DESCRIPTION	PART#	QTY.		REF. #	DESCRIPTION	PART#	QTY.
1	Bulkhead Fitting (Inc. 25-0481)	55-1686	1		10	Pipe *(1" x 2-1/4")	55-1200	1
-	Gasket	25-0481	1		11	Elbow	55-1210	1
2	Nipple	55-1674	1		12	Nipple	55-1274	1
3	Elbow	55-1610	1		13	Bulkhead Fitting (Inc. 25-0482)	55-1286	1
4	Pipe *(1-1/2" x 16")	55-1600	1		-	Gasket	25-0482	1
5	Replacement Tank w/Holes	12-0093	1		14	Locknut	30-5155	2
6	Decal- Oil Decanter (See 34-9010)	N/A Sep.	1		15	Washer	28-0121	2
7	Plug	55-0840	1		16	Decanter Lid	12-0096	1
8	Bulkhead Fitting (Inc. 25-0506)	55-0886	1		17	Handle	7-0164	1
-	Gasket	25-0506	1		18	Screw	27-5018	2
9	Ball Valve	55-1255	1			Safety Decal Kit (Inc. 6)	34-9010	
*Must Order in One Foot Lengths								

PLUMBING: DRAIN LINE ASSEMBLY (AFTER SERIAL #30000122)

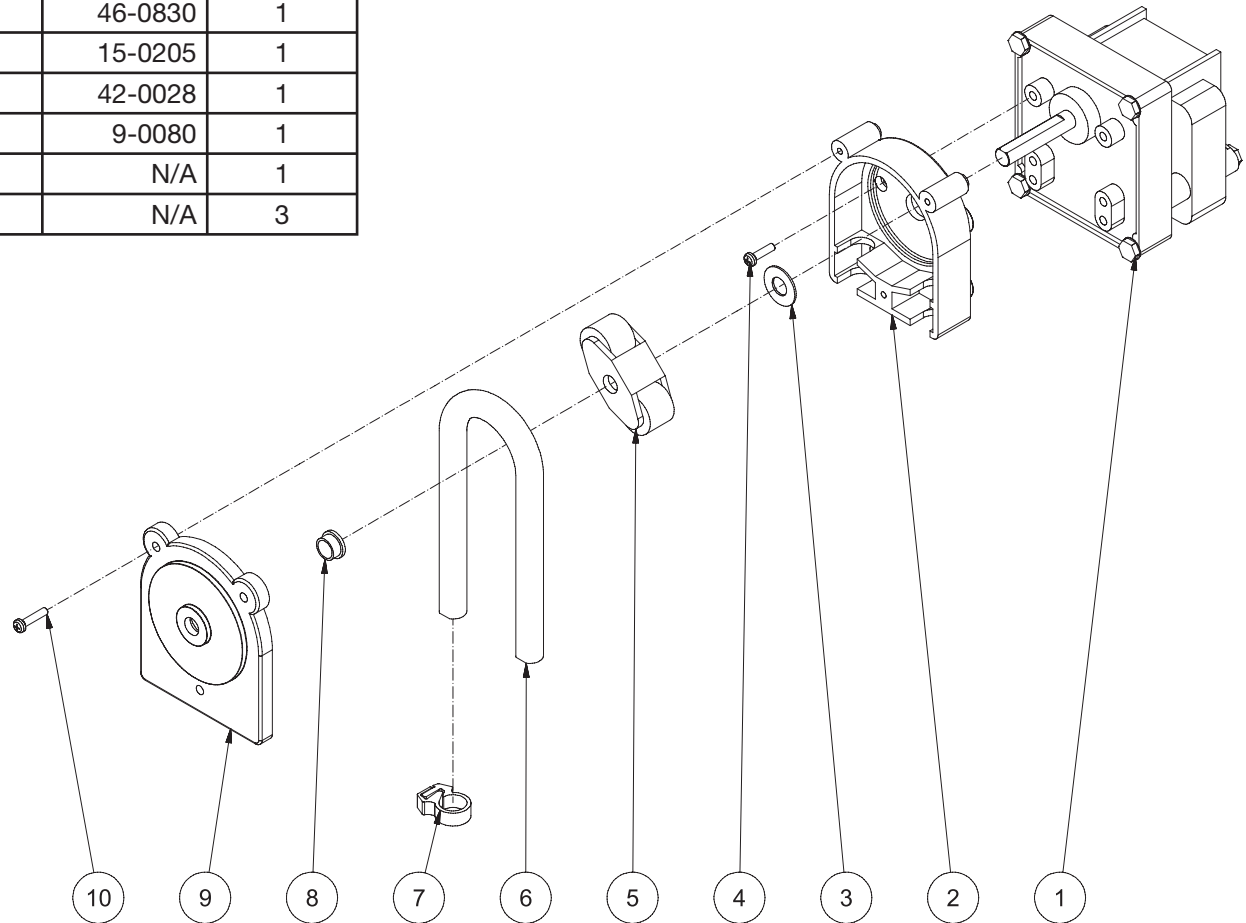


DRAIN LINE ASSY-020805-ASY

PLUMBING: DRAIN LINE ASSEMBLY (AFTER SERIAL #30000122)							
REF. #	DESCRIPTION	PART#	QTY.	REF. #	DESCRIPTION	PART#	QTY.
1	Male Adapter	55-1822	1	21	Pipe *(2" x 13 1/4")	55-1800	1
2	Pipe *(2" x 4 1/4")	55-1800	1	22	Tee	55-1802	3
3	Tee	55-1801	2	23	Pipe *(2" x 6 3/8")	55-1800	1
4	Pipe *(2" x 6")	55-1800	1	24	Tee	55-1804	1
5	Pipe *(2" x 3")	55-1800	3	25	Pipe *(2" x 21 1/2")	55-1800	1
6	Union (Inc. 25-0449)	55-1845	1	26	Elbow	55-1809	2
-	O-ring	25-0449	1	27	Pipe *(2" x 5 5/8")	55-1800	1
7	Pipe *(2" x 30 7/8")	55-1800	1	28	Pipe *(2" x 31 1/8")	55-1800	1
8	Female Adapter	55-1821	2	29	Elbow	55-1612	2
9	Pipe *(1" x 15 3/4")	55-1200	1	30	Pipe *(1 1/2' x 5 3/4")	55-1600	1
10	Elbow	55-1209	1	31	Pipe *(1 1/2' x 23 1/8")	55-1600	1
11	Pipe *(1" x 6 3/8")	55-1200	1	32	Pipe *(1 1/2' x 8 1/8")	55-1600	1
12	Union (Inc. 25-0447)	55-1245	1	33	Pipe *(2" x 38 3/8")	55-1800	1
-	O-ring	25-0447	1	34	Elbow	55-1609	5
13	Pipe *(1" x 2 3/4")	55-1200	1	35	Decal- Backwash Arrow (See 34-9010)	N/A Sep.	2
14	Male Adapter	55-1222	1	36	Pipe *(1 1/2" x 7 5/8")	55-1685	1
15	Pipe *(1 1/2" x 5")	55-1600	1	37	Tee	55-1601	1
16	Tee	55-1607	2	38	Pipe *(1 1/2" x 6 3/4")	55-1685	1
17	Close Nipple	55-1674	2	39	Pipe *(1 1/2' x 20 3/4")	55-1600	1
18	Pipe *(1 1/2" x 2 3/4")	55-1600	8	40	Pipe *(1 1/2' x 6")	55-1600	1
19	Union (Inc. 25-0448)	55-1645	4	41	Pipe *(1 1/2' x 31 3/4")	55-1600	1
-	O-ring	25-0448	4		Safety Decal Kit (Inc. 35)	34-9010	1
20	Pipe *(1 1/2" x 11 1/4")	55-1600	1	*Must Order in One Foot Lengths			

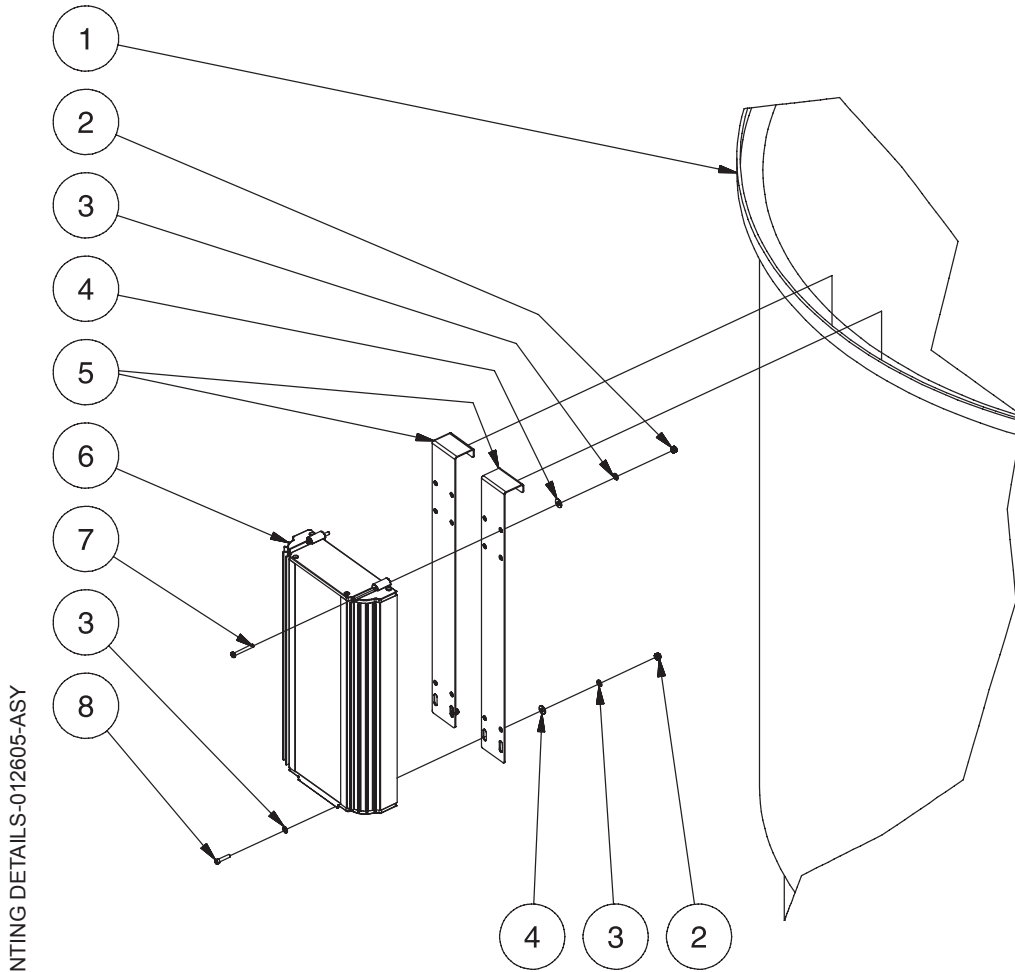
PH / ORP PUMP (3-0316) (AFTER SERIAL #30001104)

3-0316 030110-PJH			
PUMP (3-0316)			
ITEM	DESCRIPTION	PART #	QTY
1	MOTOR	N/A	1
2	HOUSING (SEE 70-0245)	N/A	1
3	WASHER	N/A	1
4	SCREW	27-2771	4
5	ROLLER BRACKET ASSEMBLY	46-0830	1
6	TUBE	15-0205	1
7	CLAMP	42-0028	1
8	BUSHING	9-0080	1
9	PUMP COVER (SEE 70-0245)	N/A </td <td>1</td>	1
10	SCREW (SEE 70-0245)	N/A	3



3-0316 030110-PJH

OZONE GENERATOR MOUNTING (AFTER SERIAL #30000122)

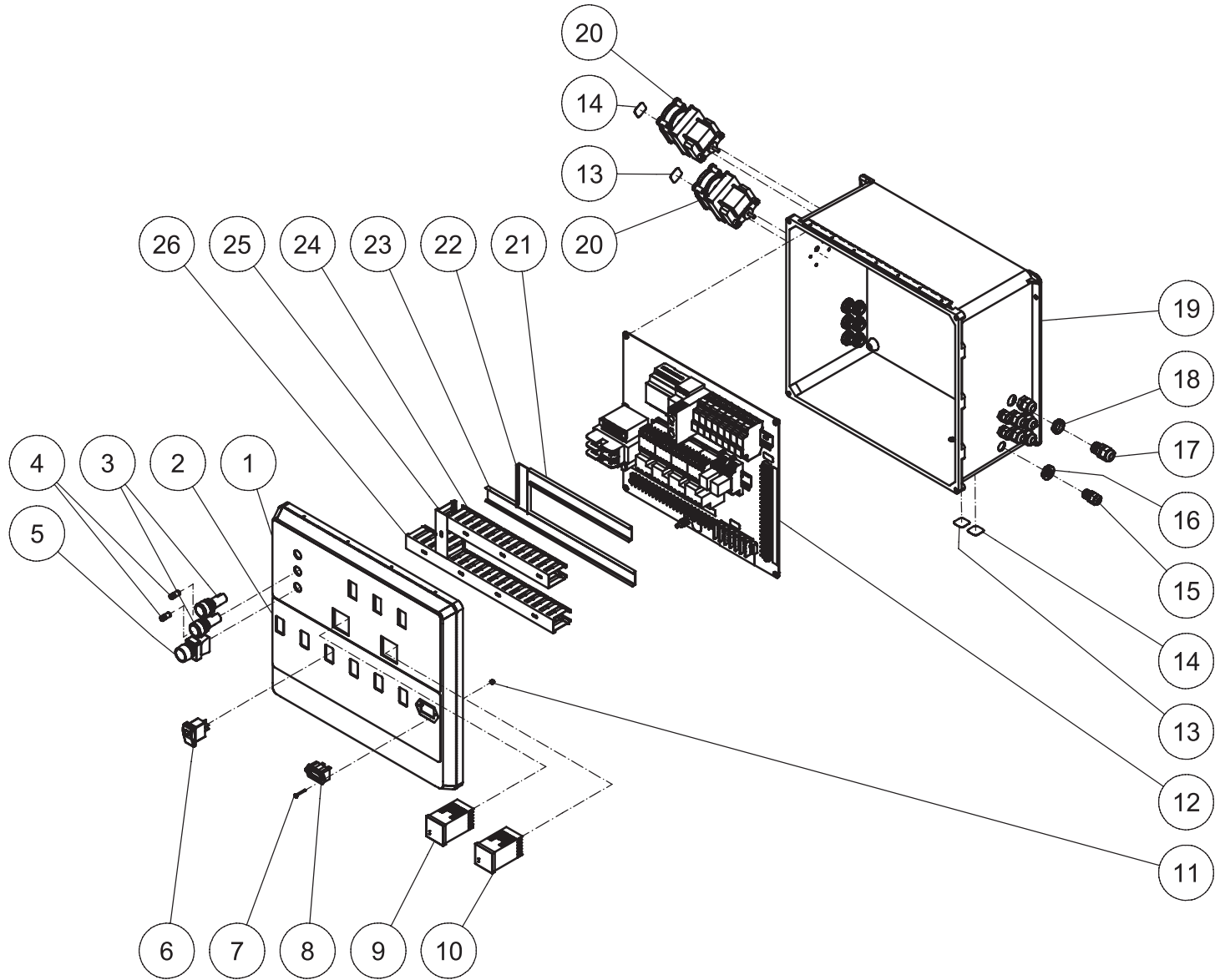


OZONE GENERATOR MOUNTING DETAILS-012605-ASY

WCP-20/30 OZONE GENERATOR MOUNTING DETAIL-012605-ASY

OZONE GENERATOR MOUNTING (AFTER SERIAL #30000122)			
REF. #	DESCRIPTION	PART #	QTY.
1	Tank	N/A	1
2	Locknut	30-8152	4
3	Washer	28-0010	6
4	Washer	28-0120	4
5	Ozone Generator Hanger	21-0177	2
6	Ozone Generator	32-0860	1
7	Screw	27-5032	2
8	Screw	27-8930	2

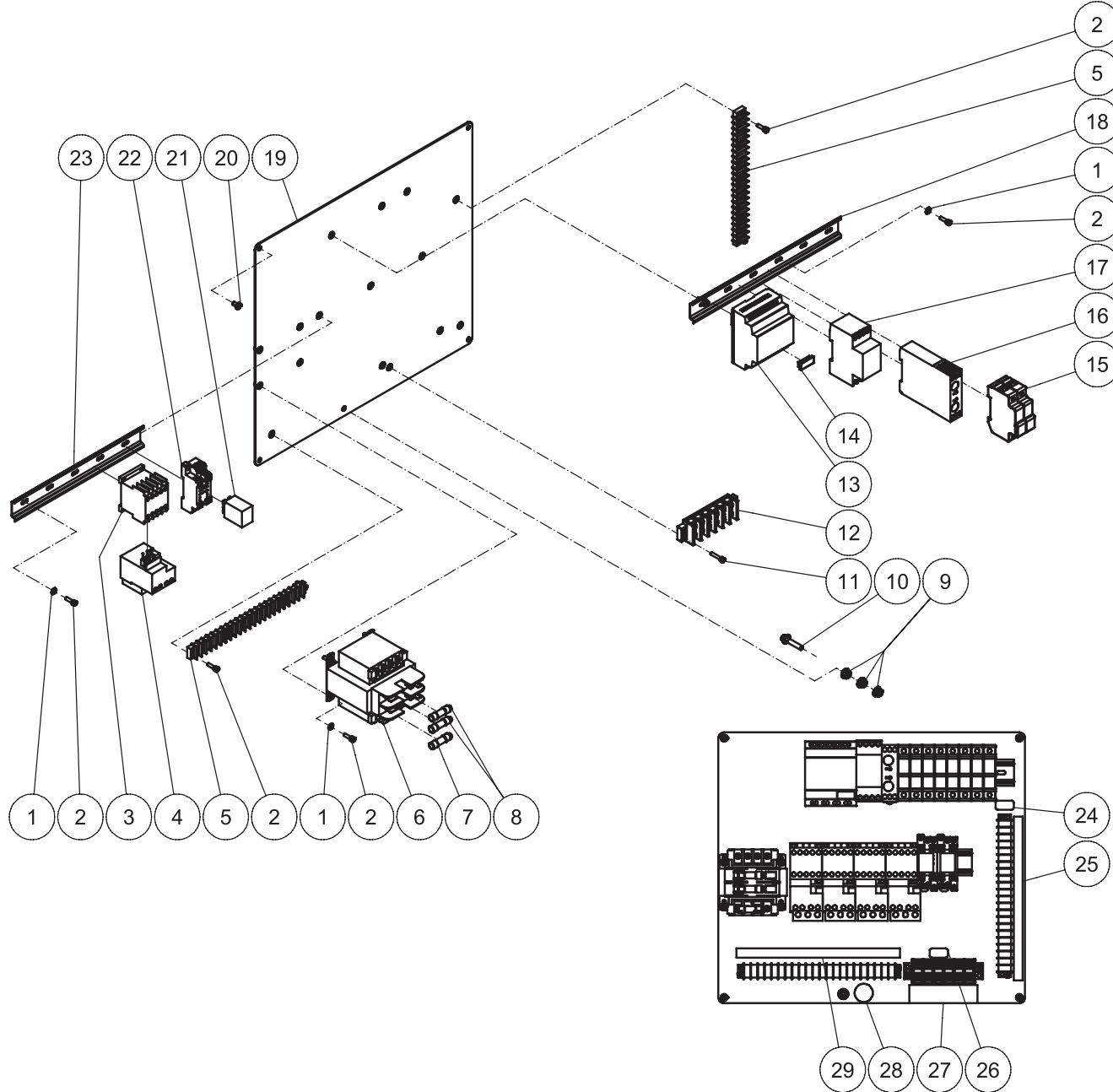
CONTROL PANEL (AFTER SERIAL #30001104)



CONTROL PANEL WCP-30AB-022510-P-JH

CONTROL PANEL ASSEMBLY WCP-30AB-022510-PJH			
CONTROL PANEL (AFTER SERIAL #30001104)			
ITEM	DESCRIPTION	PART #	QTY
1	DECAL - AUTO BACKWASH CONTROL (SEE 34-9010)	N/A	1
2	DECAL - OPERATING INSTRUCTIONS (SEE 34-9010)	N/A	1
3	INDICATOR LIGHT	32-0803	2
4	BULB	32-0879	2
5	SWITCH PUSH BUTTON	32-0534	1
6	ROCKER SWITCH	32-0669	9
7	BOLT	27-8928	2
8	HOUR METER	32-0668	1
9	PH METER	32-0806	1
10	ORP METER	32-0807	1
11	LOCKNUT	30-8151	2
12	CONTROL PANEL PLATE ASSY	N/A	1
13	DECAL - PH (SEE 34-9010)	N/A	2
14	DECAL - ORP (SEE 34-9010)	N/A	2
15	STRAIN RELIEF	32-0586	3
16	ELECTRICAL LOCKNUT	32-0587	3
17	STRAIN RELIEF	32-0437	12
18	ELECTRICAL LOCKNUT	32-0108	12
19	ELECTRIC BOX	32-0543	1
20	PUMP	3-0316	2
21	DUCT COVER *(ONE FOOT REQUIRED)	32-0318	1
22	DUCT COVER *(ONE FOOT REQUIRED)	32-0318	1
23	DUCT COVER *(TWO FEET REQUIRED)	32-0318	1
24	DUCT *(ONE FOOT REQUIRED)	32-0555	1
25	DUCT *(ONE FOOT REQUIRED)	32-0555	1
26	DUCT *(TWO FEET REQUIRED)	32-0555	1
*MUST ORDER IN ONE FOOT LENGHTS			

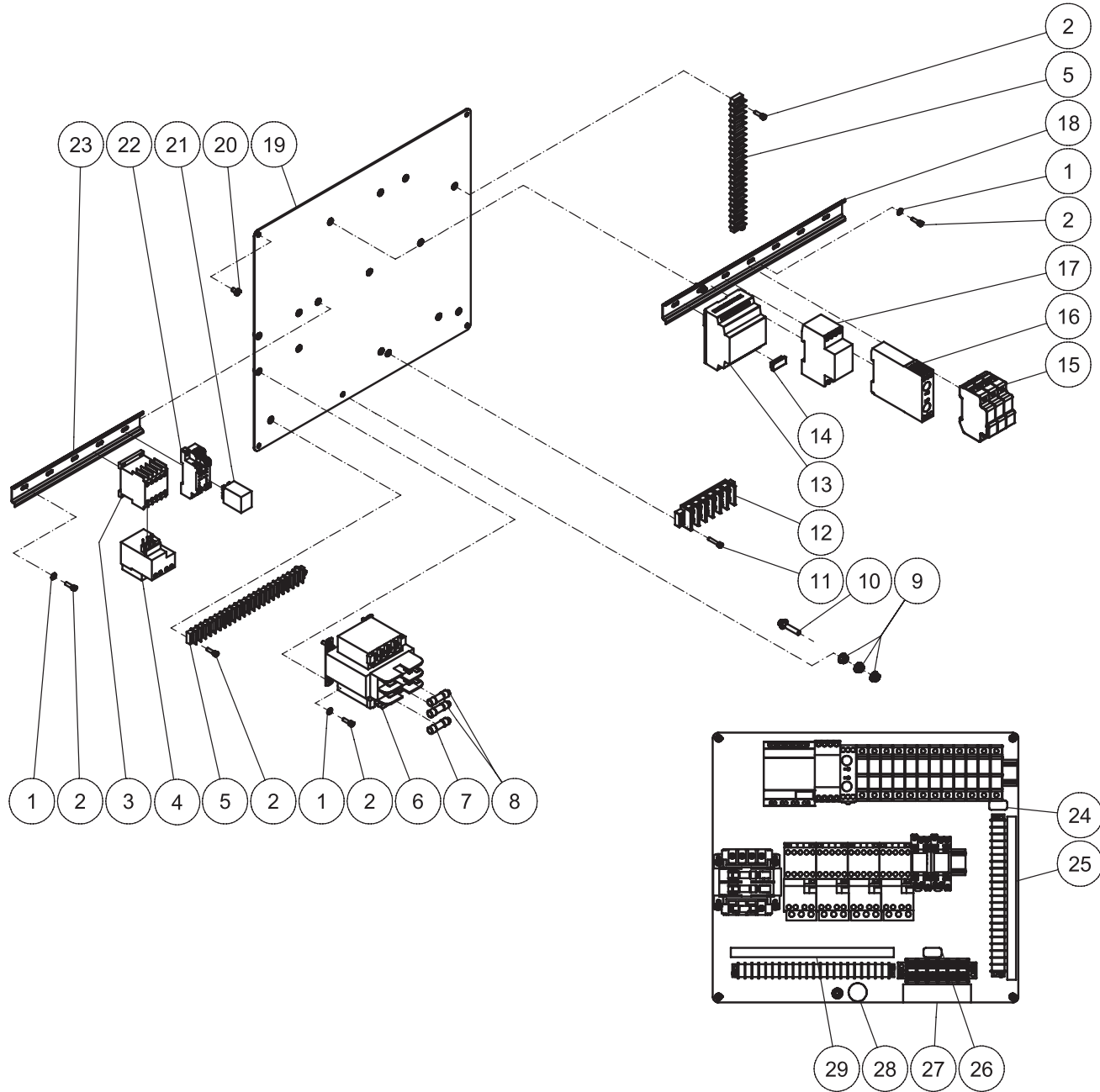
CONTROL PANEL PLATE ASSEMBLY (SINGLE PHASE) (AFTER SERIAL #30001104)



CONTROL_PNLPLATE_ASSYWCP-30AB-0M10 -022510-PJH

CONTROL PANEL PLATE ASSEMBLY WCP-30AB-0M10-022510-PJH			
CONTROL PANEL PLATE ASSEMBLY (AFTER SERIAL #30001104)			
ITEM	DESCRIPTION	PART #	QTY
1	STAR WASHER	28-1009	7
2	SCREW	27-8835	11
3	CONTACTOR	32-1009	4
4	OVERLOAD	32-1015	1
-	OVERLOAD	32-1016	2
-	OVERLOAD	32-1017	1
5	TERMINAL STRIP	32-0463	2
6	TRANSFORMER	32-0735	1
7	FUSE	32-0743	1
8	FUSE	32-0740	2
9	NUT	30-3022	3
10	BOLT	27-8898	1
11	BOLT	27-8930	2
12	TERMINAL BLOCK	32-0536	1
13	PROGRAMMABLE RELAY	32-0778	1
14	PROGRAMMABLE RELAY CHIP	32-0779	1
15	FUSE HOLDER	32-0473	4
16	RELAY TIMER	32-0822	1
17	TIMER	32-1018	1
18	DIN RAIL	32-0316	1
19	ELECTRICAL PLATE	20-1159A06	1
20	SCREW	27-8933	4
21	RELAY	32-1008	2
22	RELAY SOCKET	32-0548	2
23	DIN RAIL	32-0316	1
24	DECAL - 24V *(SEE 34-9010)	N/A	1
25	DECAL - TERMINAL STRIP *(SEE 34-9010)	N/A	1
26	DECAL - 230 VOLT *(SEE 34-9010)	N/A	1
27	DECAL - TERMINAL STRIP #53-58 *(SEE 34-9010)	N/A	1
28	DECAL- GROUND PICTORAL *(SEE 34-9010)	N/A	1
29	DECAL - TERMINAL STRIP #31-52 *(SEE 34-9010)	N/A	1
30	MOTOR FUSES (SINGLE PHASE 230V)	32-1025	2
-	MOTOR FUSES (SINGLE PHASE 230V)	32-1026	6

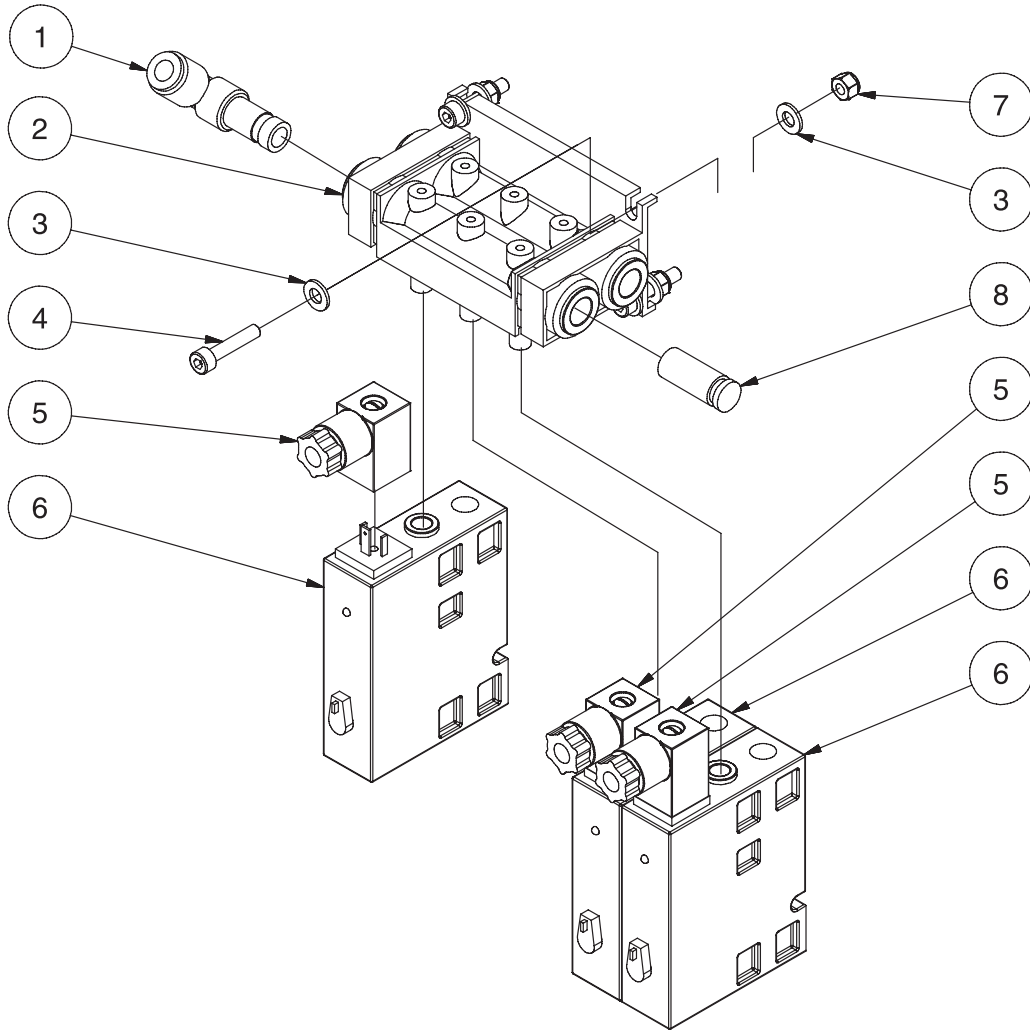
CONTROL PANEL PLATE ASSEMBLY (THREE PHASE) (AFTER SERIAL #30001104)



CONTROL_PNLPLATE_ASSYWCP-30AB-0M30 -022510-PJH

CONTROL PANEL PLATE ASSEMBLY WCP-30AB-0M30-022510-PJH			
CONTROL PANEL PLATE ASSEMBLY (AFTER SERIAL #30001104)			
ITEM	DESCRIPTION	PART #	QTY
1	STAR WASHER	28-1009	7
2	SCREW	27-8835	11
3	CONTACTOR	32-1009	4
4	OVERLOAD (3PH/ 208V, 3PH/ 230V, 3PH/ 460V)	32-1012	2
	OVERLOAD (3PH/ 208V, 3PH/ 230V)	32-1014	1
	OVERLOAD (3PH/ 208V, 3PH/ 230V)	32-1015	2
	OVERLOAD (3PH/ 460V)	32-1010	1
	OVERLOAD (3PH/ 460V)	32-1011	1
5	TERMINAL STRIP	32-0463	2
6	TRANSFORMER	32-0735	1
7	FUSE	32-0743	1
8	FUSE	32-0740	2
9	NUT	30-3022	3
10	BOLT	27-8898	1
11	BOLT	27-8930	2
12	TERMINAL BLOCK	32-0536	1
13	PROGRAMMABLE RELAY	32-0778	1
14	PROGRAMMABLE RELAY CHIP	32-0779	1
15	FUSE HOLDER	32-1007	4
16	RELAY TIMER	32-0822	1
17	TIMER	32-1018	1
18	DIN RAIL	32-0316	1
19	ELECTRICAL PLATE	20-1159A06	1
20	SCREW	27-8933	4
21	RELAY	32-1008	2
22	RELAY SOCKET	32-0548	2
23	DIN RAIL	32-0316	1
24	DECAL - 24V *(SEE 34-9010)	34-0894	1
25	DECAL - TERMINAL STRIP *(SEE 34-9010)	N/A	1
26	DECAL - 230 VOLT *(SEE 34-9010)	N/A	1
27	DECAL - TERMINAL STRIP #53-58 *(SEE 34-9010)	N/A	1
28	DECAL- GROUND PICTORAL *(SEE 34-9010)	N/A	1
29	DECAL - TERMINAL STRIP #31-52 *(SEE 34-9010)	N/A	1
30	MOTOR FUSES (3PH/ 208V, 3PH/ 230V, 3PH/ 460V)	32-1023	3, (6 for 3PH/ 460V)
-	MOTOR FUSES (3PH/ 208V, 3PH/ 230V)	32-1024	3
-	MOTOR FUSES (3PH/ 208V, 3PH/ 230V)	32-1025	6
-	MOTOR FUSES (3PH/ 460V)	32-0470	6

AIR CONTROL SYSTEM (3)

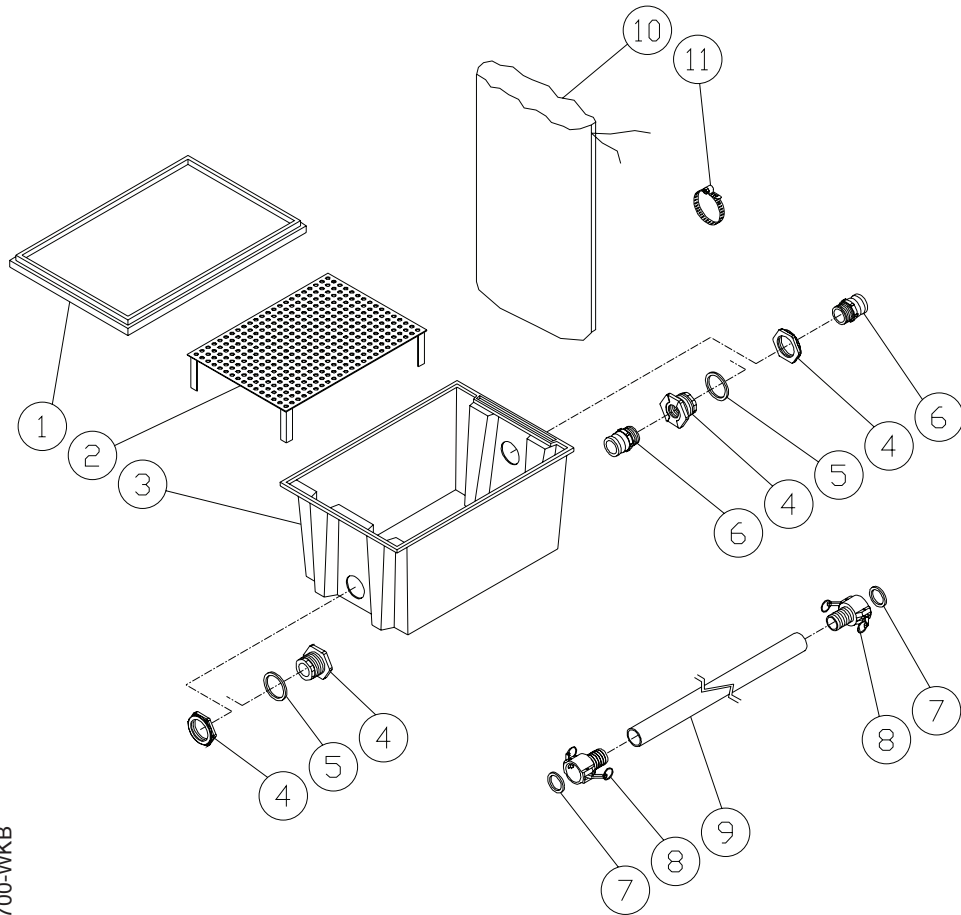


AIR CONTROL SYSTEM (3)-090203-ASY

AIR CONTROL SYSTEM (3)			
REF. #	DESCRIPTION	PART#	QTY.
1	Elbow	55-0091	1
2	Air Manifold	22-0352	1
3	Washer	28-0010	8
4	Bolt	27-8930	4
5	Din Cord Assembly	32-0772	3
6	Air Control Valve	22-0443	3
7	Locknut	30-8152	4
8	Plug	N/A	1

SLUDGE BOX ASSEMBLY (855-0017)

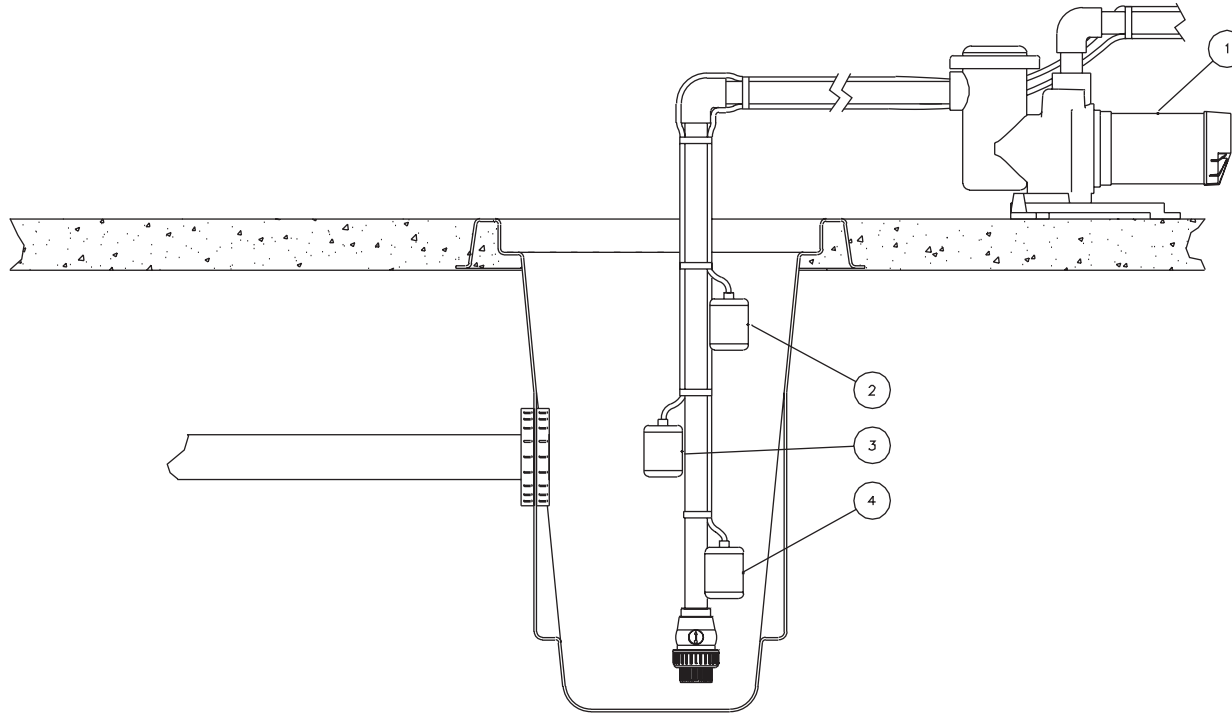
855-0017-040700-WKB



SLUDGE BOX ASSEMBLY (855-0017)			
REF. #	DESCRIPTION	PART #	QTY.
1	Lid	33-0341	1
2	Riser Plate	21-0126	1
3	Sludge Box	33-0344	1
4	Bulkhead (Includes Gasket 25-0481)	55-1886	2
5	Gasket	25-0481	2
6	Adapter	55-0054	2
7	Gasket	25-0476	2
8	Coupler (Includes Gasket 25-0476)	55-0055	2
9	Hose *(Ten Feet Required)	15-0213	1
10	Filter Bag	41-0190	5
11	Hose Clamp	42-0027	1
	Complete Sludge Box (Inc. 1-11)	855-0017	
*Must Order in One Foot Lengths			

855-0017-040700-WKB

SUMP PIT ASSEMBLY

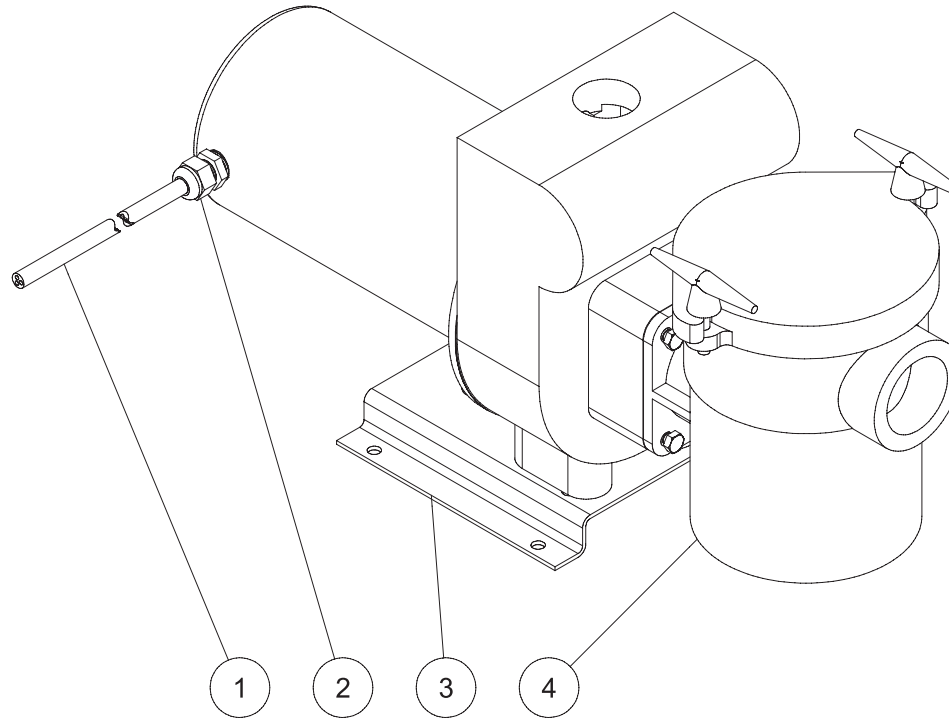


SUMP PIT ASSY-121901-KS

SUMP PIT ASSEMBLY			
REF. #	DESCRIPTION	PART #	QTY.
1	Sump Pump Assembly	855-0024	1
2	Float- Normally Open	32-0545	1
3	Float- Normally Closed	32-0530	1
4	Float- Normally Open	32-0528	1

SUMP PIT ASSY-121901-KS

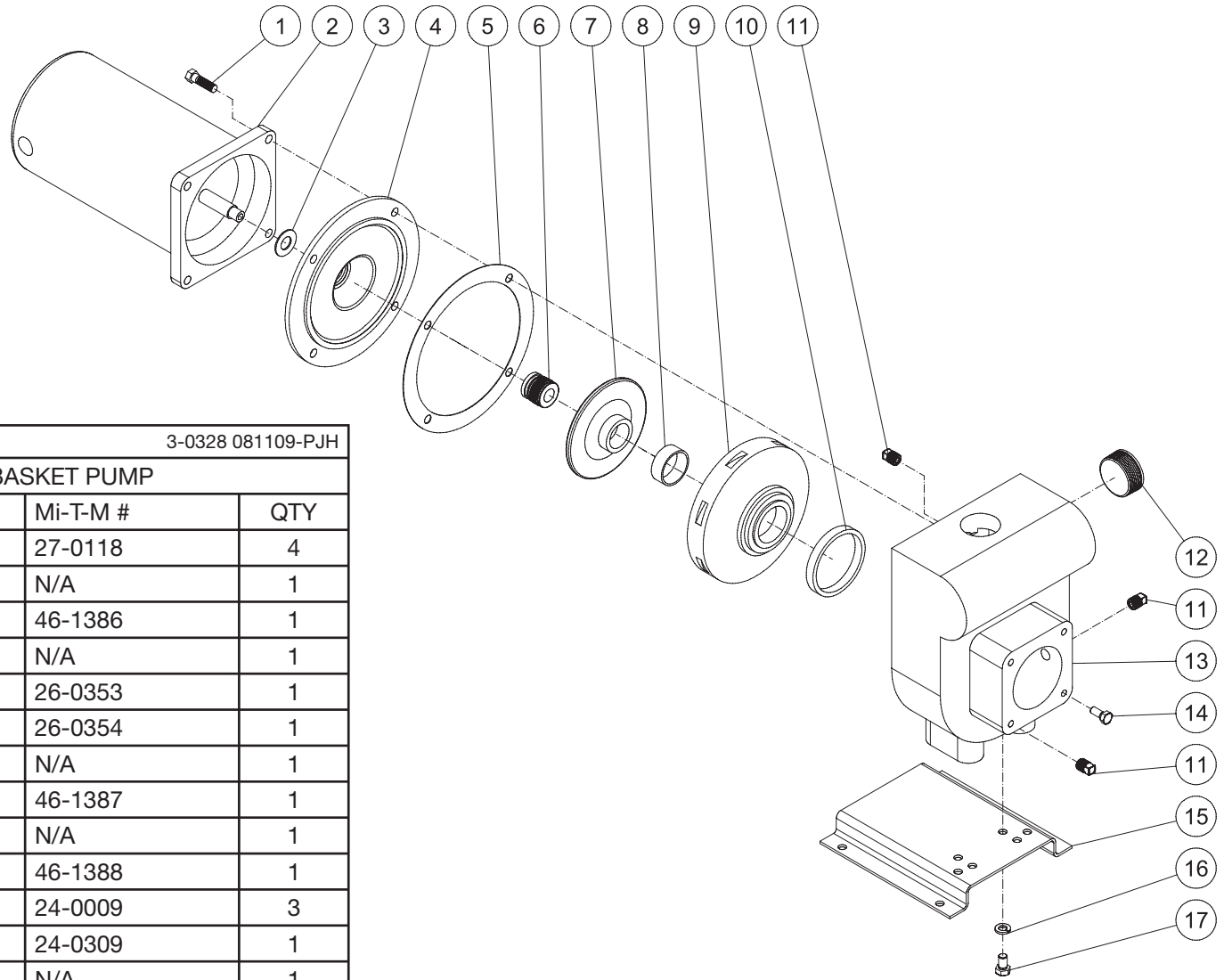
SUMP PUMP ASSEMBLY



SUMP PUMP ASSEMBLY - WCP-30AB 030110-PJH			
SUMP PUMP ASSEMBLY			
ITEM	DESCRIPTION	Mi-T-M #	QTY
1	CORD	32-0074	1
2	STRAIN RELIEF	32-0437	1
3	PUMP 3 PHASE	3-0317	1
-	PUMP 1 PHASE	3-0328	1
4	TRAP & BASKET	33-0491	1
-	BASKET O-RING (NOT SHOWN) (REPLACEMENT ONLY)	25-0623	1
-	BASKET (NOT SHOWN) (REPLACEMENT ONLY)	33-0502	1
5	TERMINAL FORK (NOT SHOWN)	32-0003	2
6	TERMINAL RING (NOT SHOWN)	32-0099	1

SUMP PUMP ASSEMBLY WCP-30AB 030110-PJH

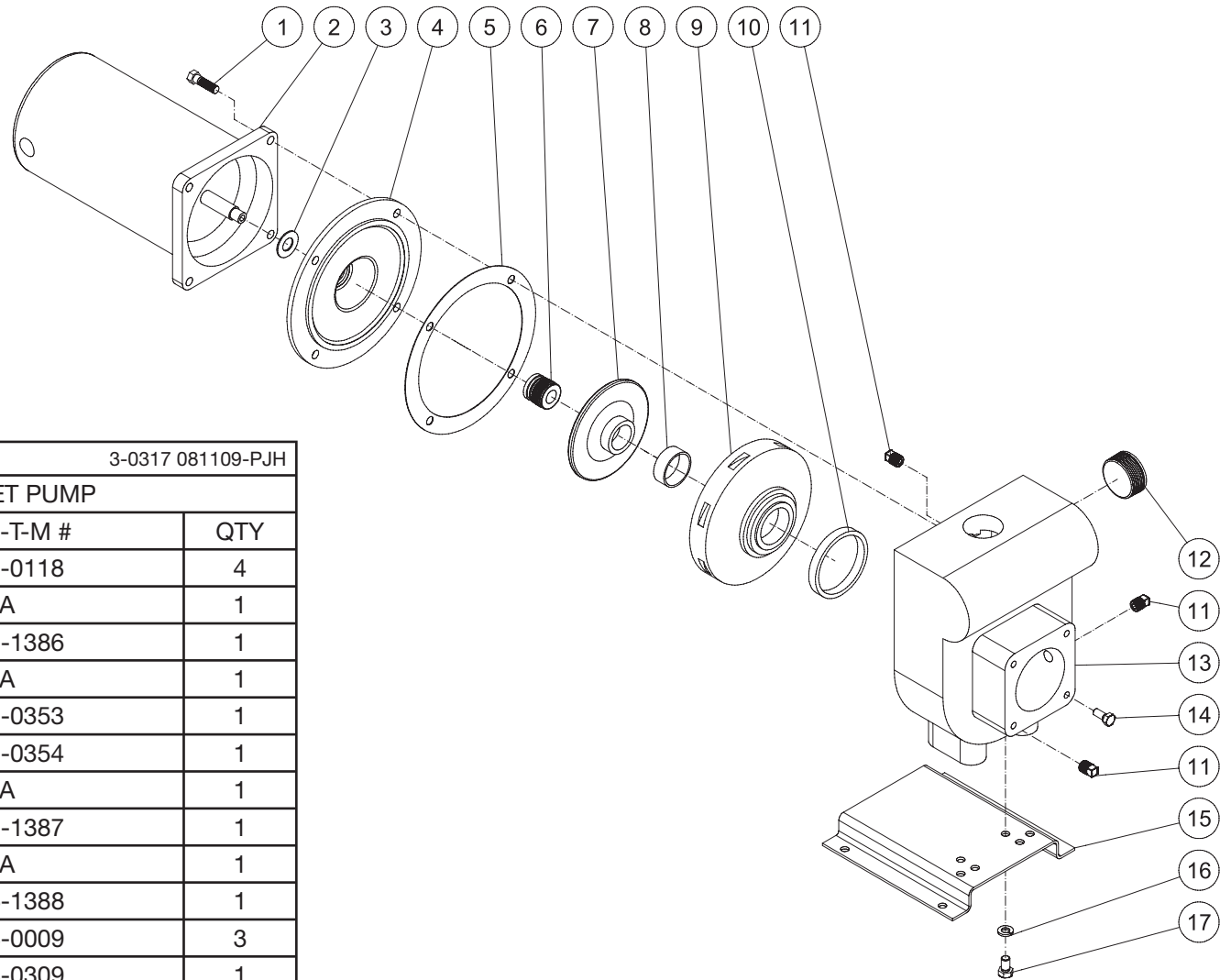
SUMP PUMP (3-0328) (SINGLE PHASE)



3-0328 081109-PJH			
STRAINER BASKET PUMP			
ITEM	DESCRIPTION	Mi-T-M #	QTY
1	BOLT	27-0118	4
2	PUMP/FILTER	N/A	1
3	WATER SLINGER	46-1386	1
4	SEAL PLATE	N/A	1
5	GASKET	26-0353	1
6	SHAFT SEAL	26-0354	1
7	IMPELLER	N/A	1
8	WEAR RING	46-1387	1
9	DIFFUSER	N/A	1
10	DIFFUSER RING	46-1388	1
11	PLUG	24-0009	3
12	PLUG	24-0309	1
13	PUMP BODY	N/A	1
14	BOLT	27-0066	4
15	BASE	N/A	1
16	LOCKWASHER	29-0008	2
17	BOLT	N/A	2

3-0328 081109-PJH

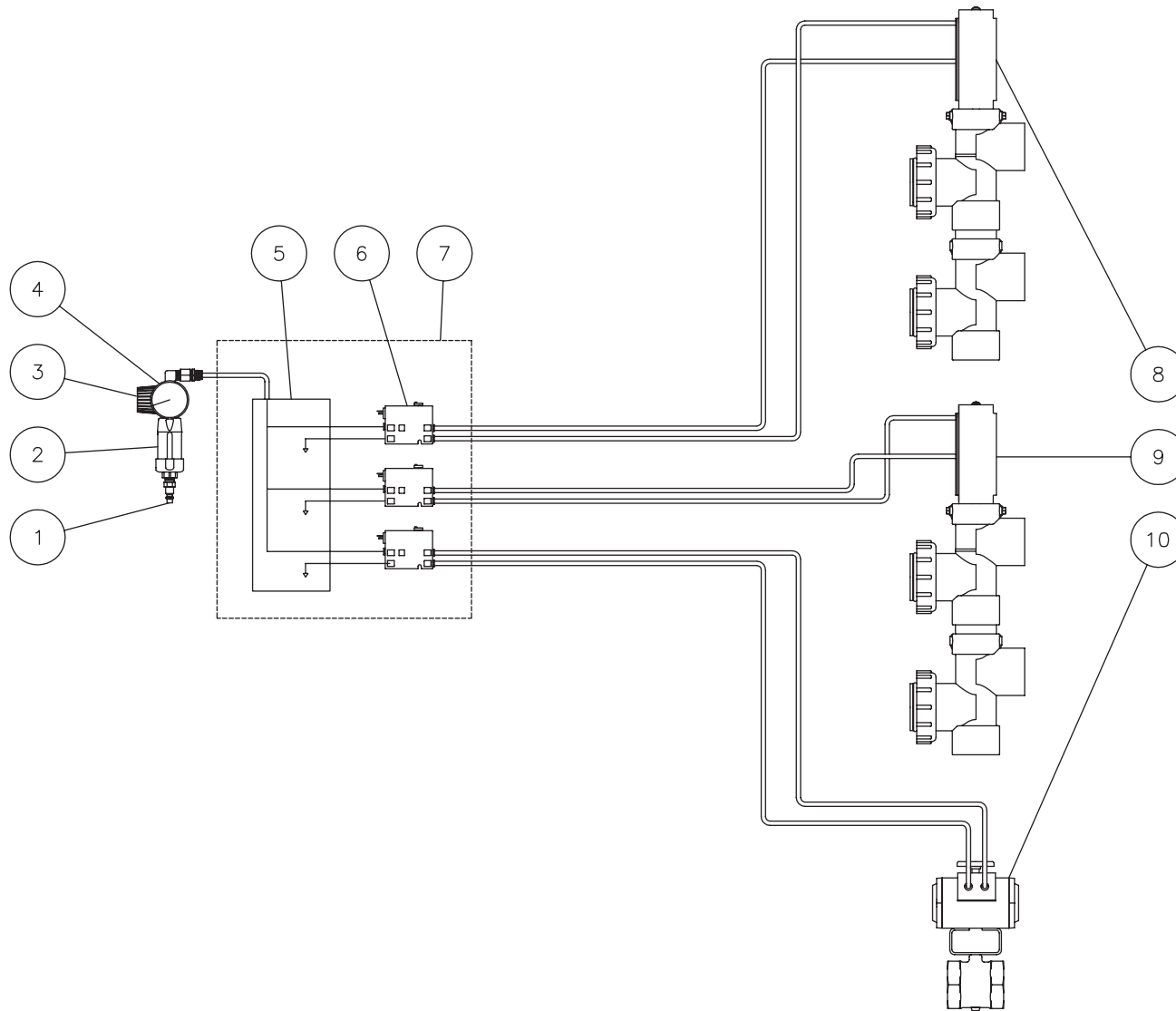
SUMP PUMP (3-0317) (THREE PHASE)



3-0317 081109-PJH			
STRAINER BASKET PUMP			
ITEM	DESCRIPTION	Mi-T-M #	QTY
1	BOLT	27-0118	4
2	PUMP/FILTER	N/A	1
3	WATER SLINGER	46-1386	1
4	SEAL PLATE	N/A	1
5	GASKET	26-0353	1
6	SHAFT SEAL	26-0354	1
7	IMPELLER	N/A	1
8	WEAR RING	46-1387	1
9	DIFFUSER	N/A	1
10	DIFFUSER RING	46-1388	1
11	PLUG	24-0009	3
12	PLUG	24-0309	1
13	PUMP BODY	N/A	1
14	BOLT	27-0066	4
15	BASE	N/A	1
16	LOCKWASHER	29-0008	2
17	BOLT	N/A	2

3-0317 081109-PJH

PNEUMATIC DIAGRAM

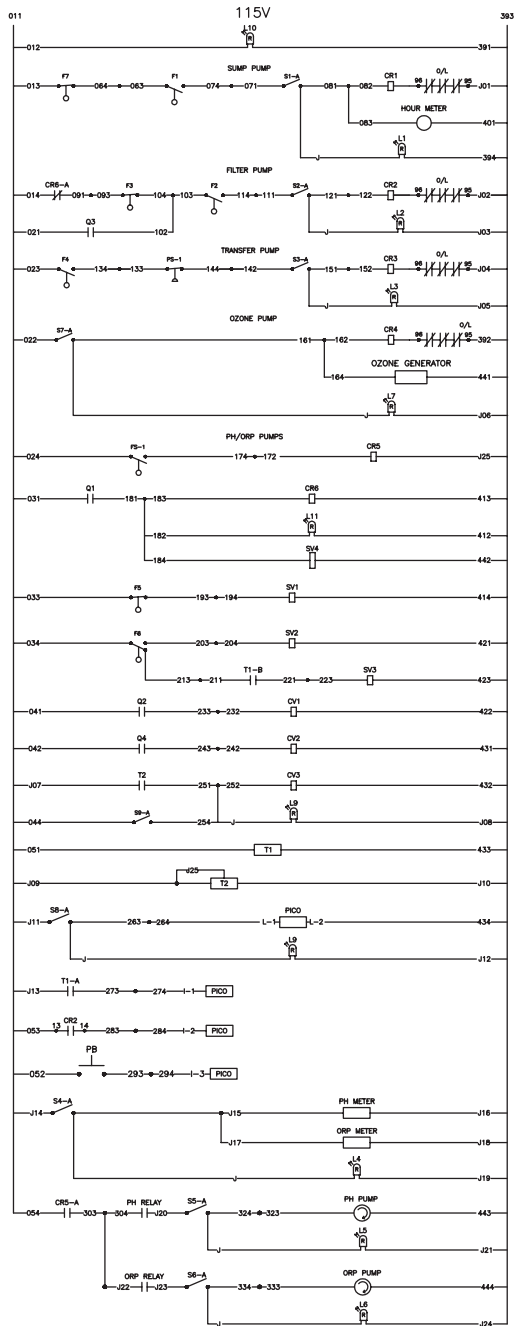


PNEUMATIC DIAGRAM-022305-ASY

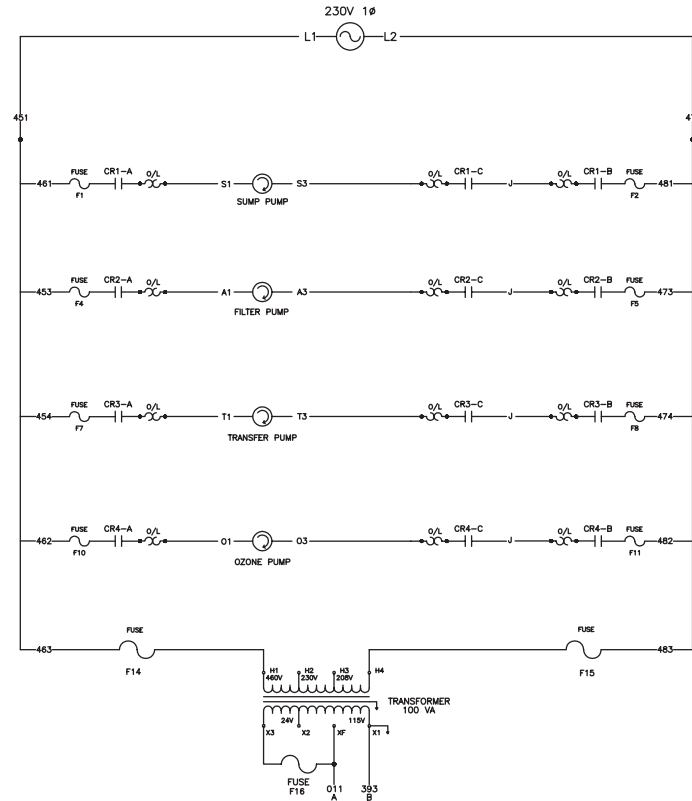
PNEUMATIC DIAGRAM	
REF. #	DESCRIPTION
1	Air Inlet Connection
2	Air Dryer
3	Air Regulator
4	Pressure Gauge
5	Air Manifold
6	Air Control Valve
7	Air Manifold Assembly
8	Multi-Media Filter Valve
9	Polishing Filter Valve
10	Automatic Solids Drain Valve

NOTES

LADDER DIAGRAM (SINGLE PHASE)

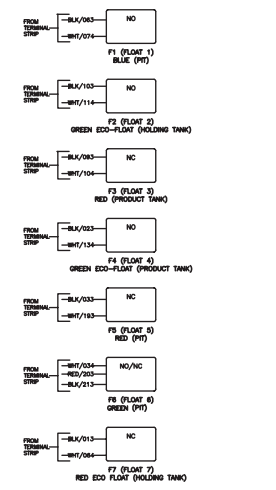
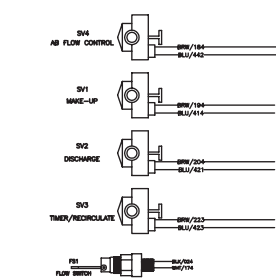
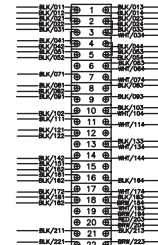
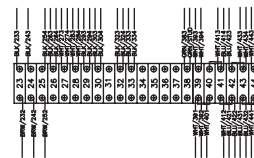
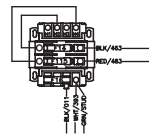
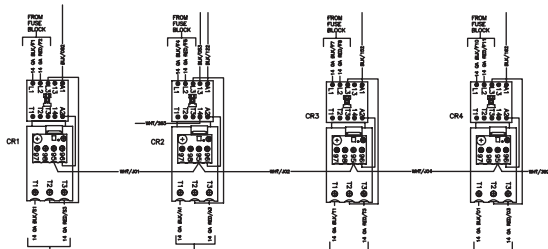
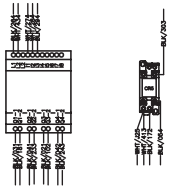
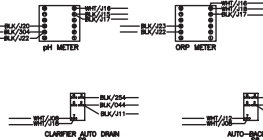
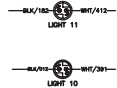
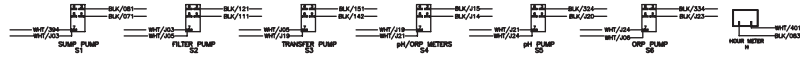
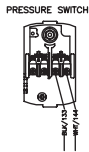
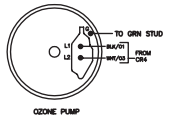
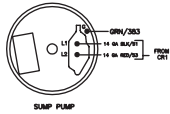
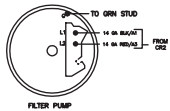
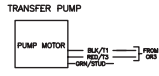


- LEGEND:
- CR1 = CONTROL RELAY, SUMP PUMP
 - CR2 = CONTROL RELAY, FILTER PUMP
 - CR3 = CONTROL RELAY, TRANSFER PUMP
 - CR5 = CONTROL RELAY, PH/ORP PUMPS
 - CR6 = CONTROL RELAY, TRANSFER PUMP CIRCUIT
 - CV1 = CONTROL VALVE, MULTI-MEDIA VALVE
 - CV2 = CONTROL VALVE, POLISHING VALVE
 - S1 = SWITCH, SUMP PUMP
 - S2 = SWITCH, FILTER PUMP
 - S3 = SWITCH, TRANSFER PUMP
 - S4 = SWITCH, PH/ORP METERS
 - S5 = SWITCH, PH PUMP
 - S6 = SWITCH, ORP PUMP
 - S7 = SWITCH, OZONE PUMP
 - S8 = SWITCH, AUTO-BACKWASH
 - S9 = SWITCH, CLARIFIER AUTO-DRAIN
 - L1 = LIGHT FOR S1
 - L2 = LIGHT FOR S2
 - L3 = LIGHT FOR S3
 - L4 = LIGHT FOR S4
 - L5 = LIGHT FOR S5
 - L6 = LIGHT FOR S6
 - L7 = LIGHT FOR S7
 - L8 = LIGHT FOR S8
 - L9 = LIGHT FOR S9
 - L10 = POWER ON
 - L11 = BACKWASH INDICATOR
 - PS1 = PRESSURE SWITCH, 30-50 PSI, TRANSFER PUMP
 - FS1 = FLOW SWITCH, PH/ORP PUMPS
 - F1 = FLOAT, N.O. BLUE, PIT, SUMP PUMP
 - F2 = FLOAT, N.O. BLUE, HOLDING TANK, FILTER PUMP
 - F3 = FLOAT, N.C. RED, PRODUCT TANK, FILTER PUMP
 - F4 = FLOAT, N.C. BLUE, PIT, FRESHWATER MAKE-UP
 - F5 = FLOAT, N.C. RED, PIT, FRESHWATER MAKE-UP
 - F6 = FLOAT, N.O./N.C. RED, PIT, RAINWATER OVERFLOW
 - F7 = FINGER FLOAT, N.C. HOLDING TANK, SUMP PUMP
 - SV1 = SOLENOID VALVE, FRESHWATER MAKE-UP
 - SV2 = SOLENOID VALVE, RAINWATER OVERFLOW
 - SV3 = SOLENOID VALVE, TIMER/RECIRCULATION
 - SV4 = SOLENOID VALVE, AB FLOW CONTROL
 - T1A = 24H TIMER, AUTO-BACKWASH, TIMED CLOSED
 - T1B = 24H TIMER, RECIRCULATION, TIMED CLOSED
 - PB1 = PUSH BUTTON SWITCH, INITIATE AUTO-BACKWASH
 - H = HOUR METER, SUMP PUMP



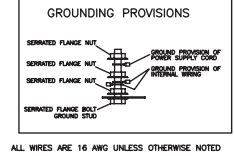
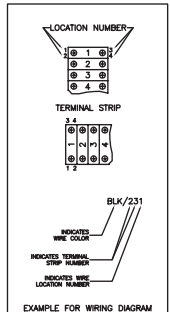
LADDER DIAGRAM-WCP-30AB-0M10-010510-PJH

WIRE DIAGRAM (SINGLE PHASE)

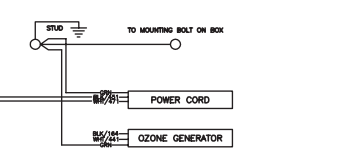
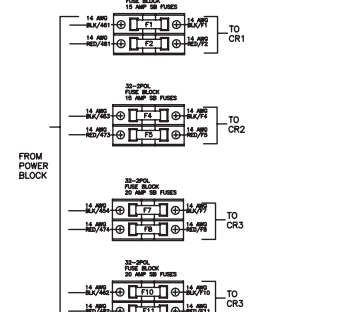


FUSE CHART	
F1	15A KLR
F2	15A KLR
F4	15A KLR
F5	15A KLR
F7	15A KLR
F8	15A KLR
F10	10A KLR
F14	1.0A KLR
F15	1.0A KLR
F16	2.0A TLA

OVERLOAD SETTING	
CR1	9.25A
CR2	9.0A
CR3	11.7A
CR4	5.75A

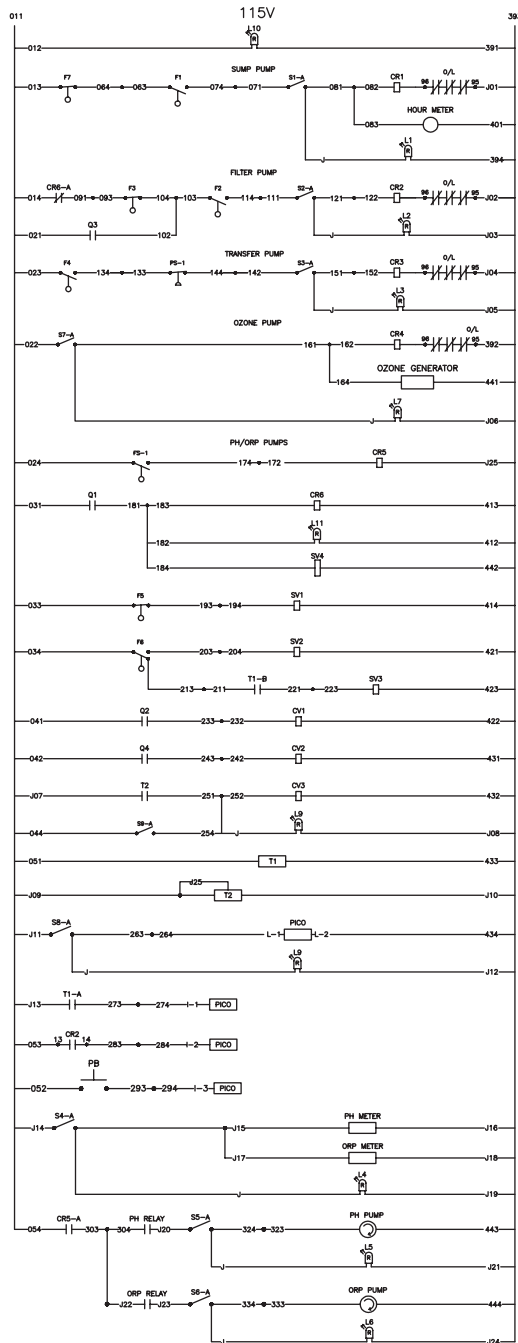


ALL WIRES ARE 16 AWG UNLESS OTHERWISE NOTED

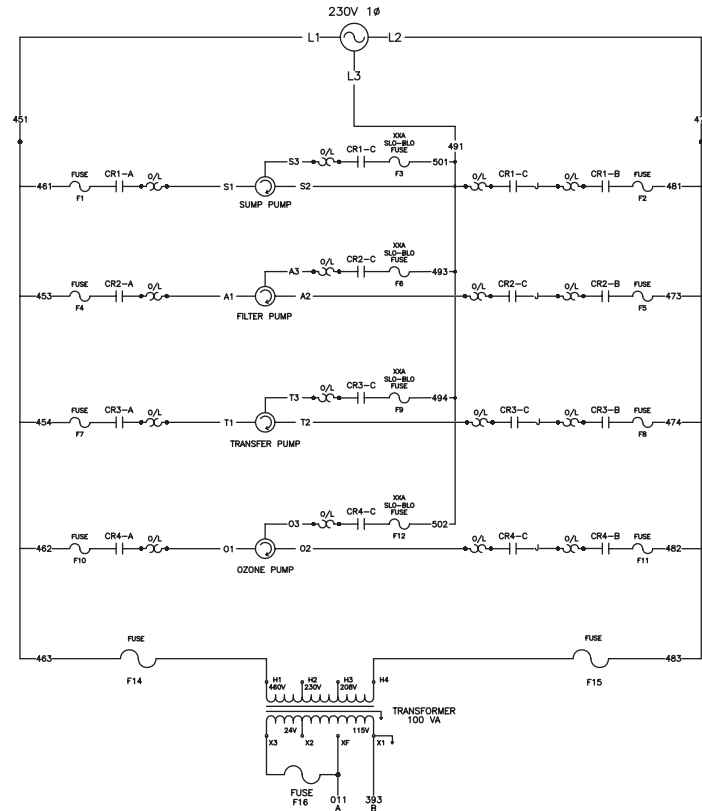


WIRE DIAGRAM-WCP-30AB-0M10-010510-PJH

LADDER DIAGRAM (THREE PHASE)



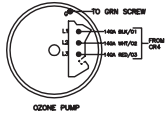
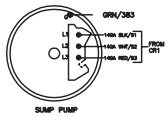
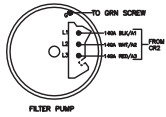
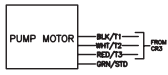
- LEGEND:
- CR1 = CONTROL RELAY, SUMP PUMP
 - CR2 = CONTROL RELAY, FILTER PUMP
 - CR3 = CONTROL RELAY, TRANSFER PUMP
 - CR5 = CONTROL RELAY, PH/ORP PUMPS
 - CR6 = CONTROL RELAY, TRANSFER PUMP CIRCUIT
 - CV1 = CONTROL VALVE, MULTI-MEDIA VALVE
 - CV2 = CONTROL VALVE, POLISHING VALVE
 - CV3 = CONTROL VALVE, DRAIN VALVE
 - S1 = SWITCH, SUMP PUMP
 - S2 = SWITCH, FILTER PUMP
 - S3 = SWITCH, TRANSFER PUMP
 - S4 = SWITCH, PH/ORP METERS
 - S5 = SWITCH, PH PUMP
 - S6 = SWITCH, ORP PUMP
 - S7 = SWITCH, OZONE PUMP
 - S8 = SWITCH, AUTO-BACKWASH
 - S9 = SWITCH, CLARIFIER AUTO-DRAIN
 - L1 = LIGHT FOR S1
 - L2 = LIGHT FOR S2
 - L3 = LIGHT FOR S3
 - L4 = LIGHT FOR S4
 - L5 = LIGHT FOR S5
 - L6 = LIGHT FOR S6
 - L7 = LIGHT FOR S7
 - L8 = LIGHT FOR S8
 - L9 = LIGHT FOR S9
 - L10 = POWER ON
 - L11 = BACKWASH INDICATOR
 - PS1 = PRESSURE SWITCH, 30-50 PSI, TRANSFER PUMP
 - FS1 = FLOW SWITCH, PH/ORP PUMPS
 - F1 = FLOAT, N.O. BLUE, PIT, SUMP PUMP
 - F2 = FLOAT, N.O. BLUE, HOLDING TANK, FILTER PUMP
 - F3 = FLOAT, N.C. RED, PRODUCT TANK, FILTER PUMP
 - F4 = FLOAT, N.O. BLUE, PRODUCT TANK, TRANSFER PUMP
 - F5 = FLOAT, N.C. RED, PIT, FRESHWATER MAKE-UP
 - F6 = FLOAT, N.O./N.C. RED, PIT, RAINWATER OVERFLOW
 - F7 = FINGER FLOAT, N.C. HOLDING TANK, SUMP PUMP
 - SV1 = SOLENOID VALVE, FRESHWATER MAKE-UP
 - SV2 = SOLENOID VALVE, RAINWATER OVERFLOW
 - SV3 = SOLENOID VALVE, TIMER/RECIRCULATION
 - SV4 = SOLENOID VALVE, AB FLOW CONTROL
 - T1A = 24H TIMER, AUTO-BACKWASH, TIMED CLOSED
 - T1B = 24H TIMER, RECIRCULATION, TIMED CLOSED
 - PB1 = PUSH BUTTON SWITCH, INITIATE AUTO-BACKWASH
 - H = HOUR METER, SUMP PUMP



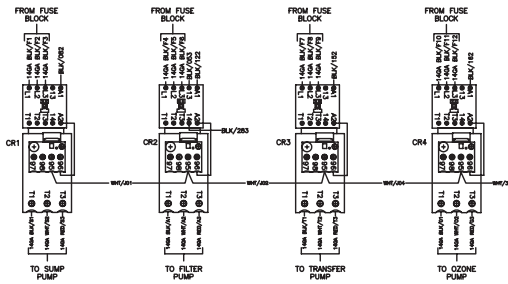
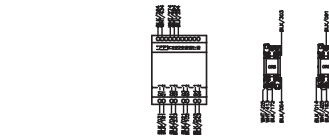
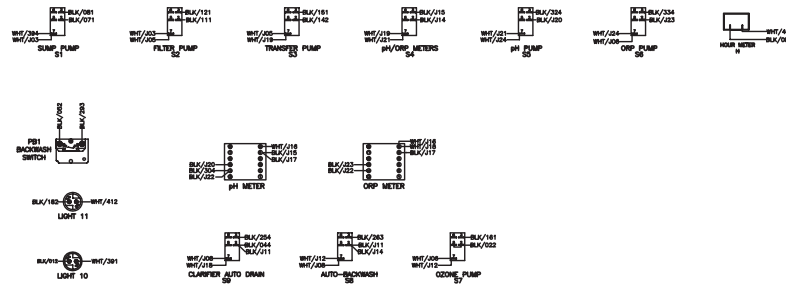
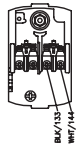
LADDER DIAGRAM-WCP-30AB THREE PHASE 010510-PUJH

WIRE DIAGRAM (THREE PHASE)

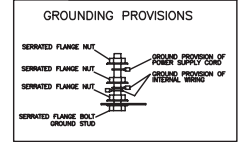
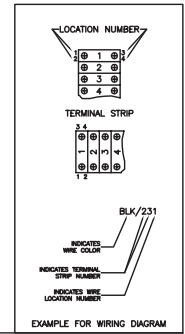
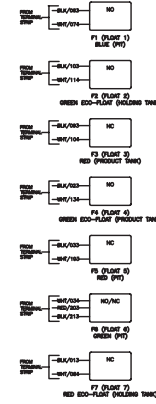
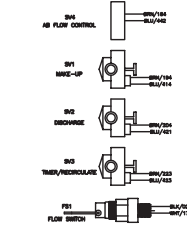
TRANSFER PUMP



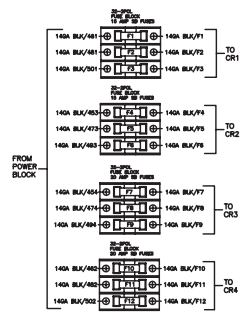
PRESSURE SWITCH



BLK/01	1	BLK/012
BLK/02	2	BLK/013
BLK/03	3	BLK/014
BLK/04	4	BLK/015
BLK/05	5	BLK/016
BLK/06	6	BLK/017
BLK/07	7	BLK/018
BLK/08	8	BLK/019
BLK/09	9	BLK/020
BLK/10	10	BLK/021
BLK/11	11	WH/014
BLK/12	12	WH/015
BLK/13	13	WH/016
BLK/14	14	WH/017
BLK/15	15	WH/018
BLK/16	16	BLK/184
BLK/17	17	BLK/185
BLK/18	18	BLK/186
BLK/19	19	WH/187
BLK/20	20	WH/188
BLK/21	21	BLK/213
BLK/22	22	WH/213



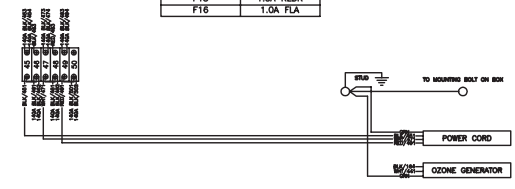
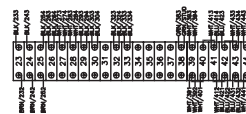
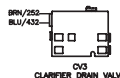
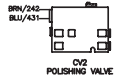
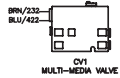
ALL WIRES ARE 16 AWG UNLESS OTHERWISE NOTED



F1	6A KCLR
F2	6A KCLR
F3	6A KCLR
F4	10A KCLR
F5	10A KCLR
F6	10A KCLR
F7	10A KCLR
F8	10A KCLR
F9	10A KCLR
F10	3A KCLR
F11	3A KCLR
F12	3A KCLR
F14	1.0A KCLR
F15	1.0A KCLR
F16	1.0A FLA

CR1	5.5A
CR2	5.5A
CR3	5.5A
CR4	5.5A

WIRE DIAGRAM-WCP-30AB THREE PHASE 010510-PJH



Manufactured by Mi-T-M
8650 Enterprise Drive, Peosta IA 52068
563-556-7484/ Fax 563-556-1235