



***Performance Under Pressure***

PARTS LIST FOR  
***WLP-30-0M10***  
WATER RECYCLING TREATMENT SYSTEM

Congratulations on the purchase of your new Mi-T-M water treatment system! This parts listing has been compiled for your benefit. You can be assured your Mi-T-M water treatment system was constructed and designed with quality and performance in mind. Each component has been rigorously tested to insure the highest level of acceptance.

The contents of this parts listing are based on the latest product information available at the time of publication. Mi-T-M reserves the right to make changes in price, color, materials, equipment, specifications or models at any time without notice.

### **WARNING**

THIS IS A PROFESSIONAL WATER TREATMENT SYSTEM. CAUTION SHOULD BE OBSERVED WHEN USING OR REPAIRING THIS UNIT! READ AND FOLLOW THE SAFETY WARNINGS LISTED BELOW BEFORE ATTEMPTING ANY REPAIRS ON THIS WATER TREATMENT SYSTEM!

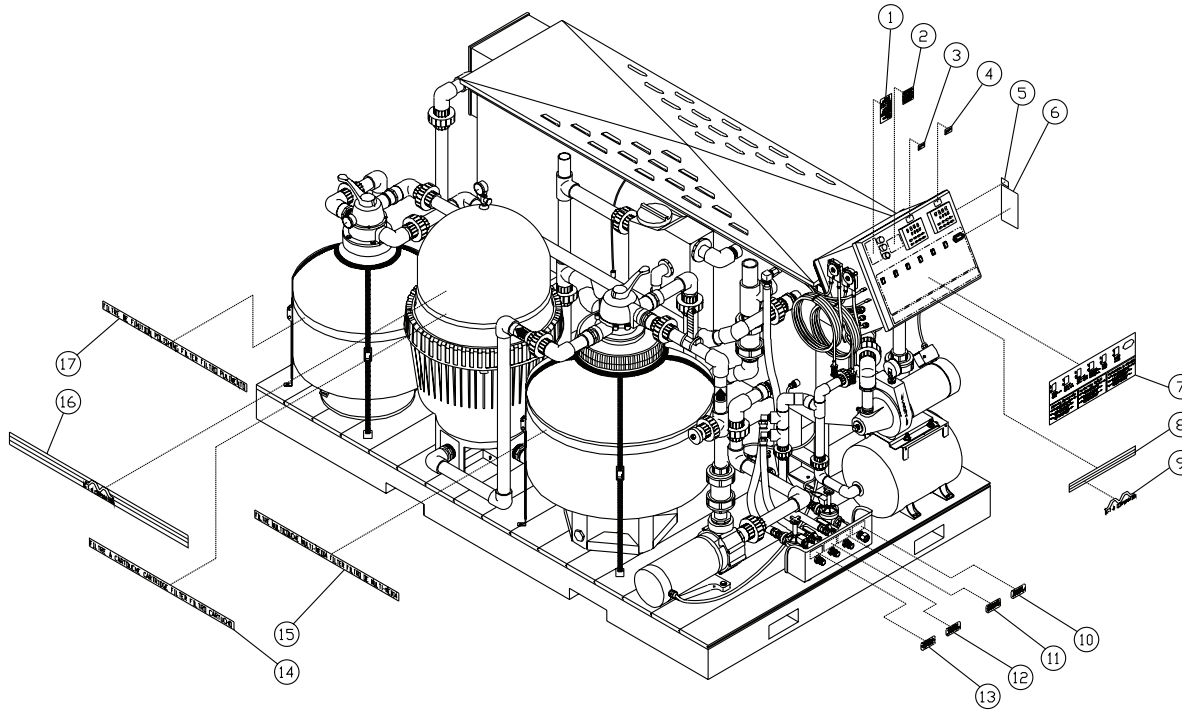
### **SAFETY WARNINGS**

1. Serious injury or death could occur if the water treatment system is not properly grounded. Your water treatment system is powered by electricity and may cause electric shock or electrocution if not installed properly. Installation to this unit, including all electrical connections, must comply with all local, state and national codes. Any electrical wiring or repairs performed on this water treatment system should be done by Authorized Service Personnel in accordance with National and Local electrical codes.
2. NEVER alter or modify the equipment. Use only genuine Mi-T-M parts for repair of your water treatment system. Failure to do so can cause hazardous operating conditions and will VOID warranty.
3. Know how to stop and bleed pressures quickly. Be thoroughly familiar with controls. Do not operate without protective cover/guards. Follow the maintenance instructions specified in your operator's manual.
4. Before servicing, ALWAYS shut off the water and the unit. Allow the unit to cool down. NEVER assume the water treatment system is safe to work on just because it is not operating. It could restart at any time! ALWAYS disconnect from the power source. Service in a clean, dry flat area.
5. Be especially careful it properly dispose of any flammable materials. Consult Materials Safety Data Sheets for safe handling of chemicals used with your system, especially oxidizers and acids.

## Table of Contents

DECAL PLACEMENT - FRONT VIEW .....	4
DECAL PLACEMENT - BACK VIEW .....	5
MAIN ASSEMBLY .....	6
TANK ASSEMBLY - FRONT VIEW .....	8
PLUMBING: MULTI-MEDIA FILTER .....	12
MULTI-MEDIA FILTER (19-0505) .....	14
MULTI-MEDIA DIAL VALVE (55-0014) .....	16
CARTRIDGE FILTER / PLUMBING ASSEMBLY .....	18
CARTRIDGE FILTER (19-0601) .....	19
PLUMBING: POLISHING FILTER .....	20
POLISHING FILTER (19-0502) .....	21
POLISHING FILTER DIAL VALVE (55-0013) .....	22
SUMP PUMP (3-0214) .....	24
FILTER PUMP ASSEMBLY .....	26
FILTER PUMP (3-0296) .....	28
TRANSFER PUMP / TANK ASSEMBLY .....	30
TRANSFER PUMP (3-0192) .....	31
PH / ORP PUMP (3-0182) .....	32
MANIFOLD ASSEMBLY .....	34
PLUMBING: PH/ORP ASSEMBLY .....	36
PH/ORP PROBE INSTALLATION .....	37
PLUMBING: DRAIN ASSEMBLY AND TRANSFER PUMP TO DRAIN .....	38
PLUMBING ASSEMBLIES .....	40
OIL DECANter ASSEMBLY .....	42
OZONE GENERATOR (32-0715) .....	44
CONTROL PANEL - LID .....	46
CONTROL PANEL - BASE .....	48
ELECTRICAL SCHEMATIC - 230 VOLT .....	50
ELECTRICAL SCHEMATIC - 24 VOLT .....	51
ELECTRICAL DIAGRAM - BASE .....	52

## DECAL PLACEMENT - FRONT VIEW

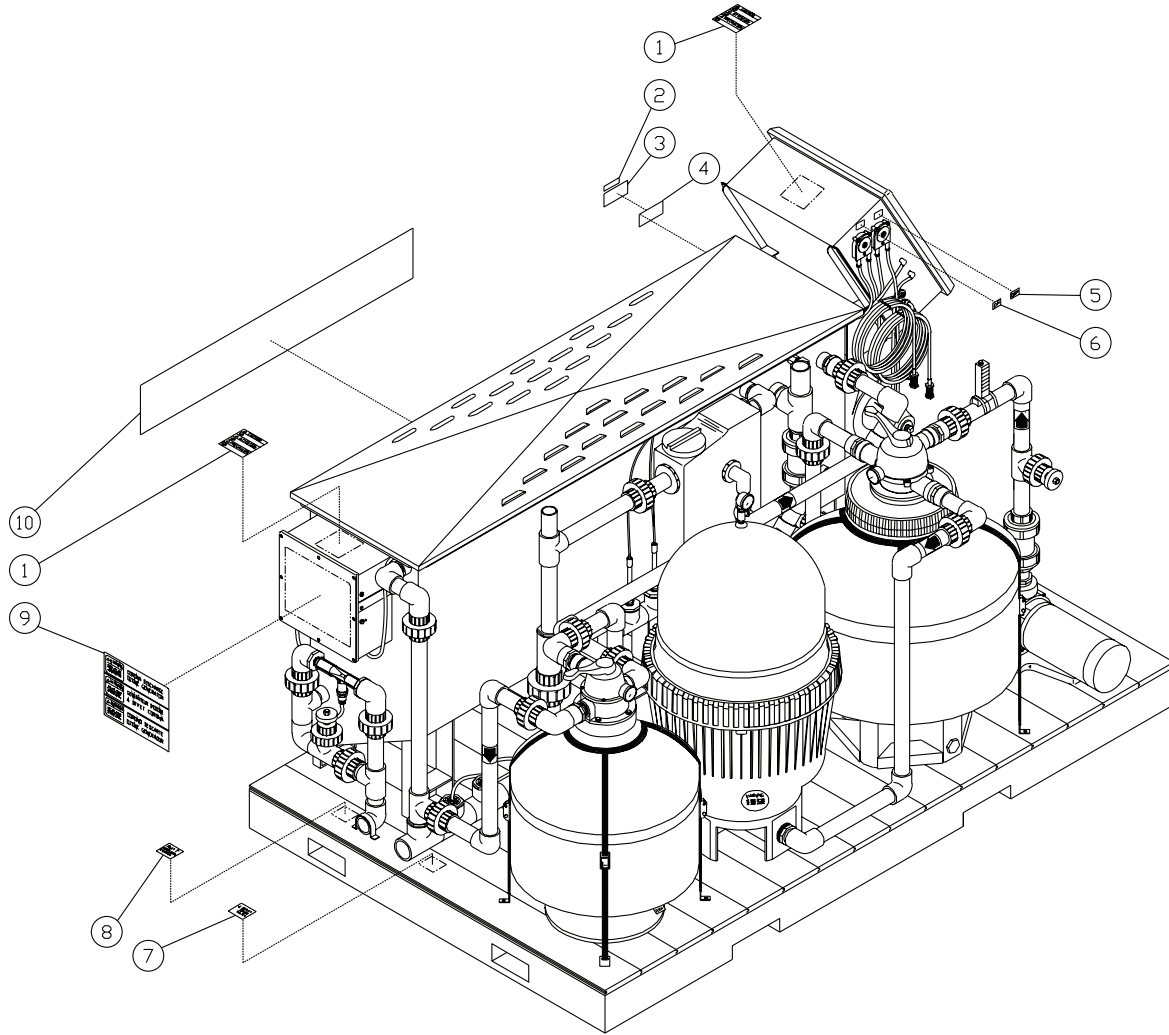


WLP-0064-022699-JJ

DECAL PLACEMENT- FRONT VIEW			
REF. #	DESCRIPTION	PART#	QTY.
1	Decal- Backwash Controls	34-0880	1
2	Decal- Backwash Instructions	34-0881	1
3	Decal- PH	34-0871	1
4	Decal- ORP	34-0872	1
5	Decal- USA Flag	34-0521	1
6	Decal- Warning: Risk of Electrocution	34-0884	1
7	Decal- Control Panel	34-0890	1
8	Decal- Mi-T-M Logo	34-0501	1
9	Mi-T-M Plastic Logo	62-0087	1
10	Decal- Fresh Water Inlet	34-0879	1
11	Decal- Pressure Washer Outlet	34-0877	1
12	Decal- Rinse Water Outlet	34-0876	1
13	Decal- Rain Water Overflow	34-0878	1
14	Decal- Cartridge Filter	34-0873	1
15	Decal- Multi Media Filter	34-0874	1
16	Decal- Stripe w/ Logo	34-0725	1
17	Decal- Polishing Filter	34-0875	1

WLP-0064-022699-JJ

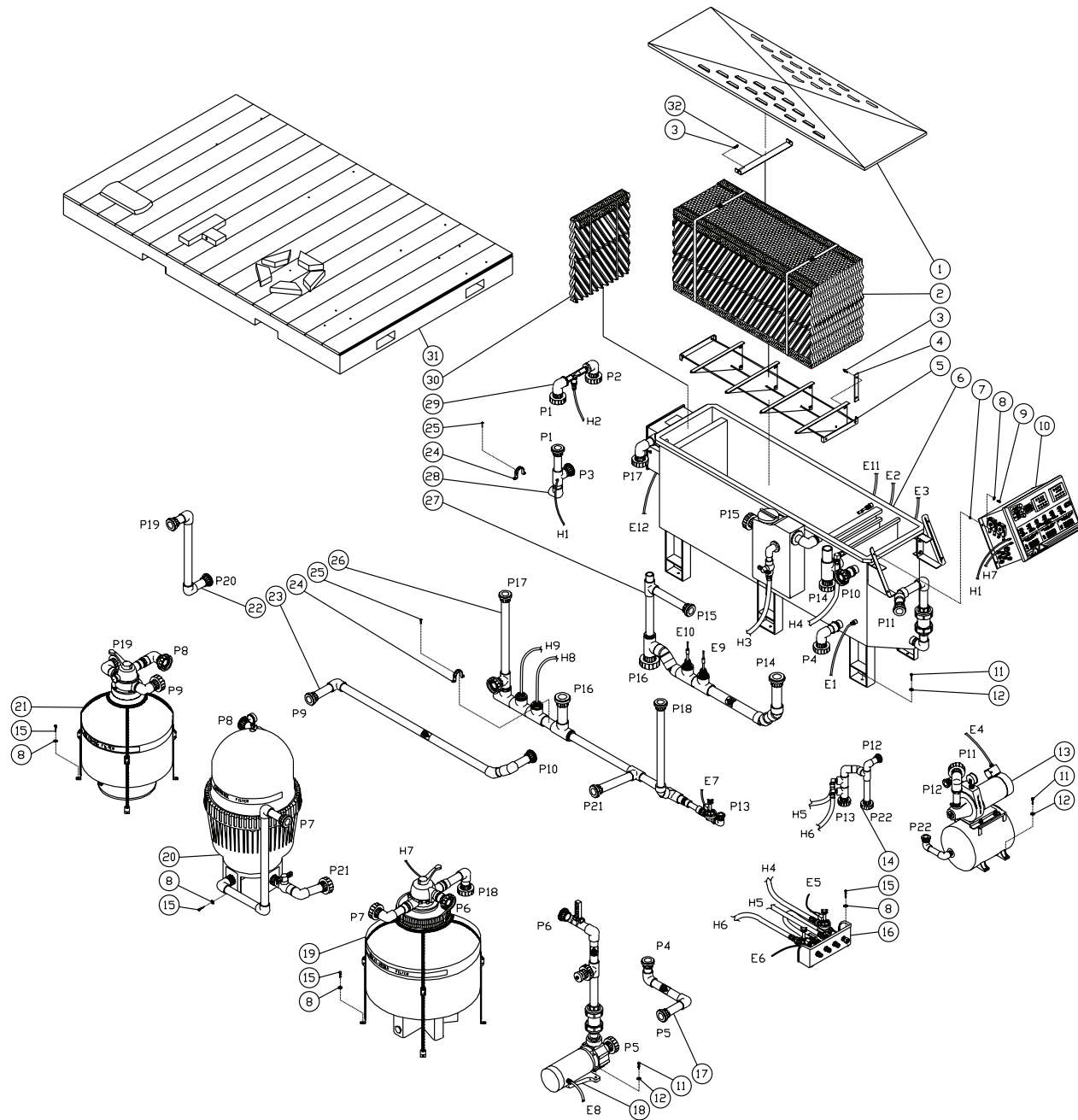
## DECAL PLACEMENT - BACK VIEW



WLP-0063-021899-JJ

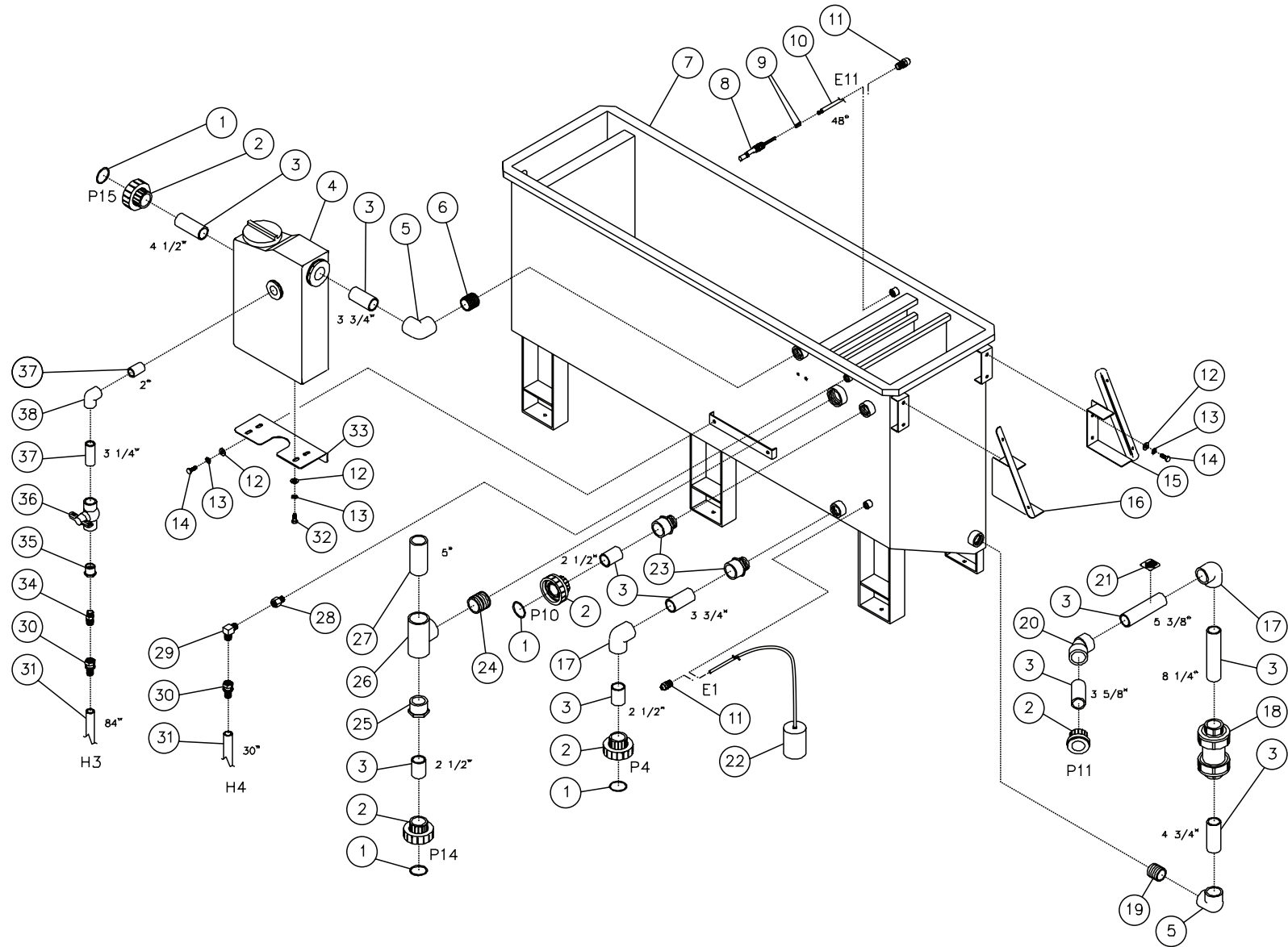
DECAL PLACEMENT- BACK VIEW			
REF. #	DESCRIPTION	PART#	QTY.
1	Decal- Caution Nonpotable Water	34-0868	2
2	Decal- Serial Number	N/A	1
3	Decal- Clear Laminate	N/A	1
4	Decal- Data Plate	N/A	1
5	Decal- ORP	34-0872	1
6	Decal- PH	34-0871	1
7	Decal- Outlet	34-0891	1
8	Decal- Inlet	34-0892	1
9	Decal- Warning Ozone Generator	34-0870	1
10	Decal- Mi-T-M logo	34-0347	1

# MAIN ASSEMBLY



MAIN ASSEMBLY							
REF. #	DESCRIPTION	PART#	QTY.	REF. #	DESCRIPTION	PART#	QTY.
1	Tank Lid	56-0028	1	17	Plumbing: Filter Pump to Tank (See Exploded Drawing)	N/A Sep.	1
2	Coalescing Pack Assembly	855-0001	1	18	Plumbing: Filter Pump Assembly (See Exploded Drawing)	N/A Sep.	1
3	Thumb Screw	27-6200	10	19	Plumbing: Multi- Media Filter Assembly (See Exploded Drawing)	N/A Sep.	1
4	Baffle Plate	21-0121	4	20	Plumbing: Cartridge Filter Assembly (See Exploded Drawing)	N/A Sep.	1
5	Baffle Assembly	21-0106	1	21	Plumbing: Polishing Filter Assembly (See Exploded Drawing)	N/A Sep.	1
6	Oil/Water/Separator Tank (See Exploded Drawing)	N/A Sep.	1	22	Plumbing: Polishing Filter to Drain (See Exploded Drawing)	N/A Sep.	1
7	Hex Nut	30-5202	4	23	Plumbing: Polishing Filter to Tank (See Exploded Drawing)	N/A Sep.	1
8	Washer	28-0121	17	24	Pipe Clamp	42-0025	2
9	Hex Screw	27-5016	4	25	Tapping Screw	27-5278	4
10	Control Pane (See Exploded Drawing)	N/A Sep.	1	26	Plumbing: Drain Line Assembly (See Exploded Drawing)	N/A Sep.	1
11	Lag Bolt	27-5276	13	27	Plumbing: PH/ORP Assembly (See Exploded Drawing)	N/A Sep.	1
12	Washer	28-0122	13	28	Plumbing: Inlet (See Exploded Drawing)	N/A Sep.	1
13	Transfer Pump/ Tank Assembly (See Exploded Drawing)	N/A Sep.	1	29	Plumbing: Injector Assembly (See Exploded Drawing)	N/A Sep.	1
14	Plumbing: Transfer Pump to Drain (See Exploded Drawing)	N/A Sep.	1	30	Verticle Coalescing Grid Assembly	855-0002	1
15	Lag Bolt	27-5277	13	31	Plastic Pallet	N/A	1
16	Manifold Assembly (See Exploded Drawing)	N/A Sep.	1	32	Bracket	21-0109	1

# TANK ASSEMBLY - FRONT VIEW

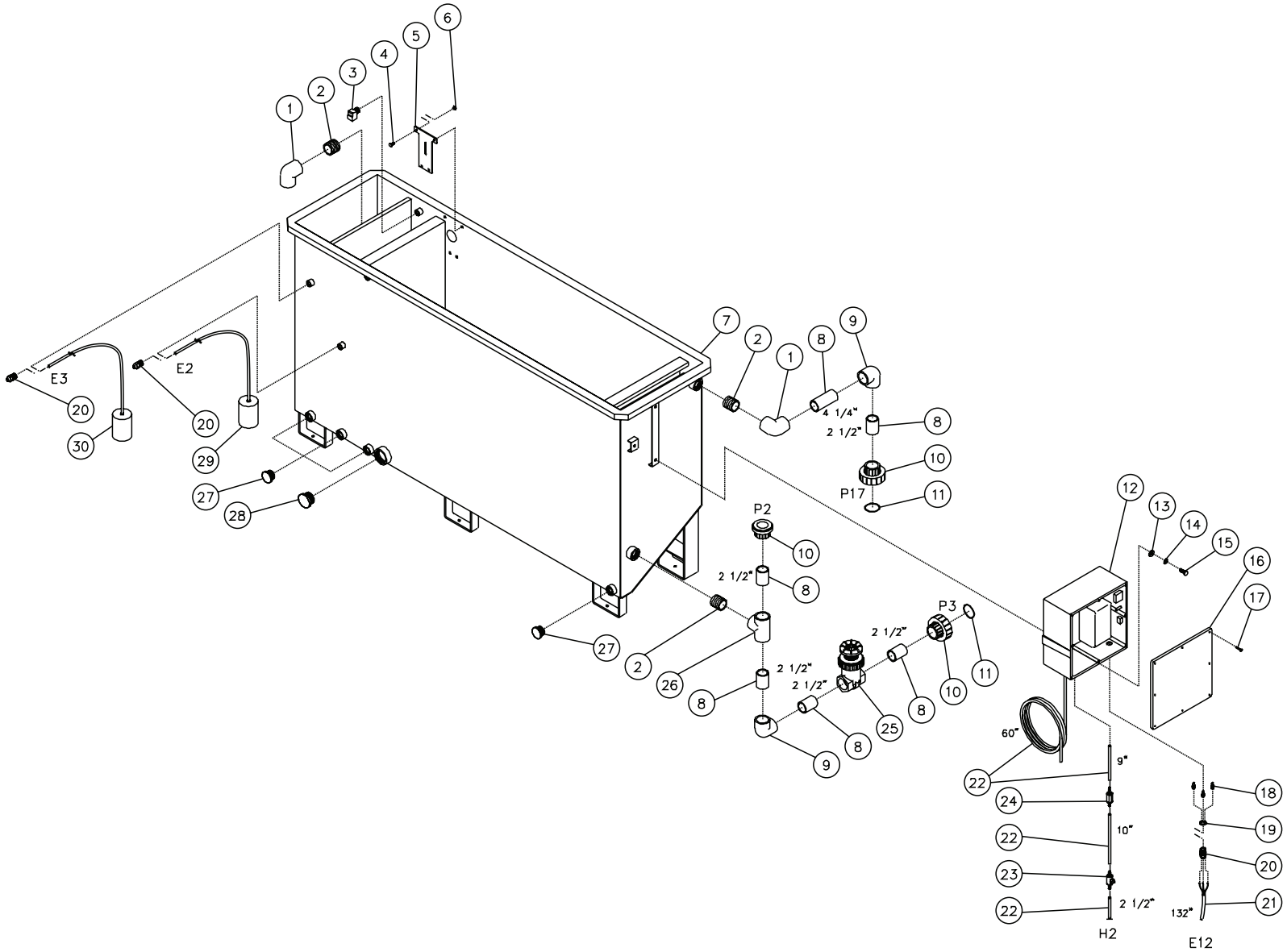


WLP-0062-043099-JJ



TANK ASSEMBLY- FRONT VIEW							
REF. #	DESCRIPTION	PART#	QTY.	REF. #	DESCRIPTION	PART#	QTY.
1	O-ring	25-0448	4	21	Decal- Black and Yellow Arrow	34-0883	1
2	Union (Includes O-ring 25-0448)	55-1645	5	22	Float	32-0527	1
3	Pipe *(Varied Feet Required)	55-1600	1	23	Adapter	55-1622	2
4	Tank (See Exploded Drawing)	N/A Sep.	1	24	Nipple	55-1874	1
5	Elbow	55-1610	2	25	Reducer Bushing	55-1823	1
6	Nipple	55-1677	1	26	Tee	55-1807	1
7	Oil/Water/Separator Tank	12-0070	1	27	Pipe *(Varied Feet Required)	55-1800	1
8	Switch- Liquid Level	32-0533	1	28	Connector	23-0072	1
9	Connector	32-0122	2	29	Elbow	23-0363	1
10	Cord *(Four Feet Required)	32-0075	1	30	Hose Barb	23-0358	2
11	Strain Relief	32-0437	2	31	Hose *(Ten Feet Required)	15-0033	1
12	Washer	28-0122	10	32	Bolt	27-9032	4
13	Lockwasher	29-1007	10	33	Oil Tank Bracket	21-0108	1
14	Bolt	27-5066	6	34	Adapter	23-0362	1
15	Bracket- Right Electrical	21-0110	1	35	Reducer Bushing	55-1228	1
16	Bracket- Left Electrical	21-0111	1	36	Ball Valve	55-1255	1
17	Elbow	55-1609	2	37	Pipe *(Varied Feet Required)	55-1200	1
18	Check Valve	55-1652	1	38	Elbow	55-1209	1
19	Nipple	55-1674	1	*Must Order in One Foot Lengths			
20	Elbow	55-1612	1				

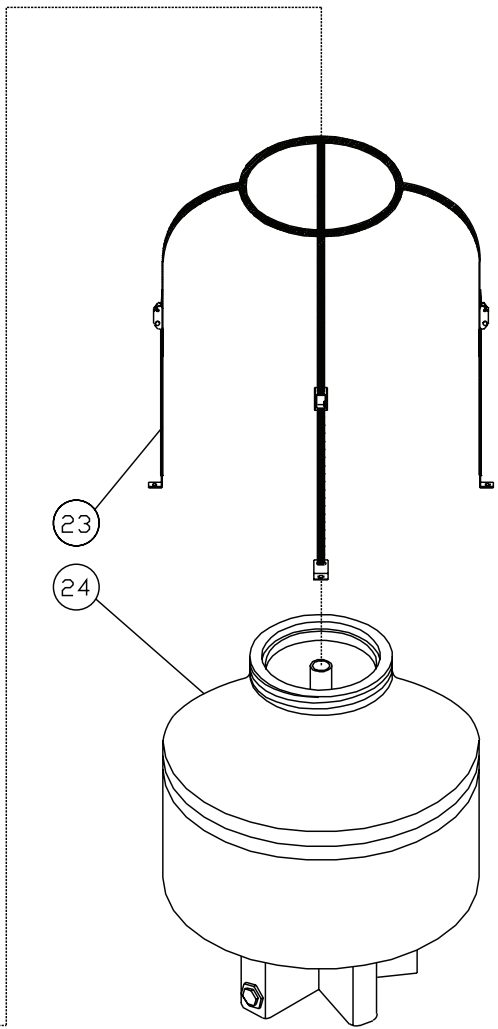
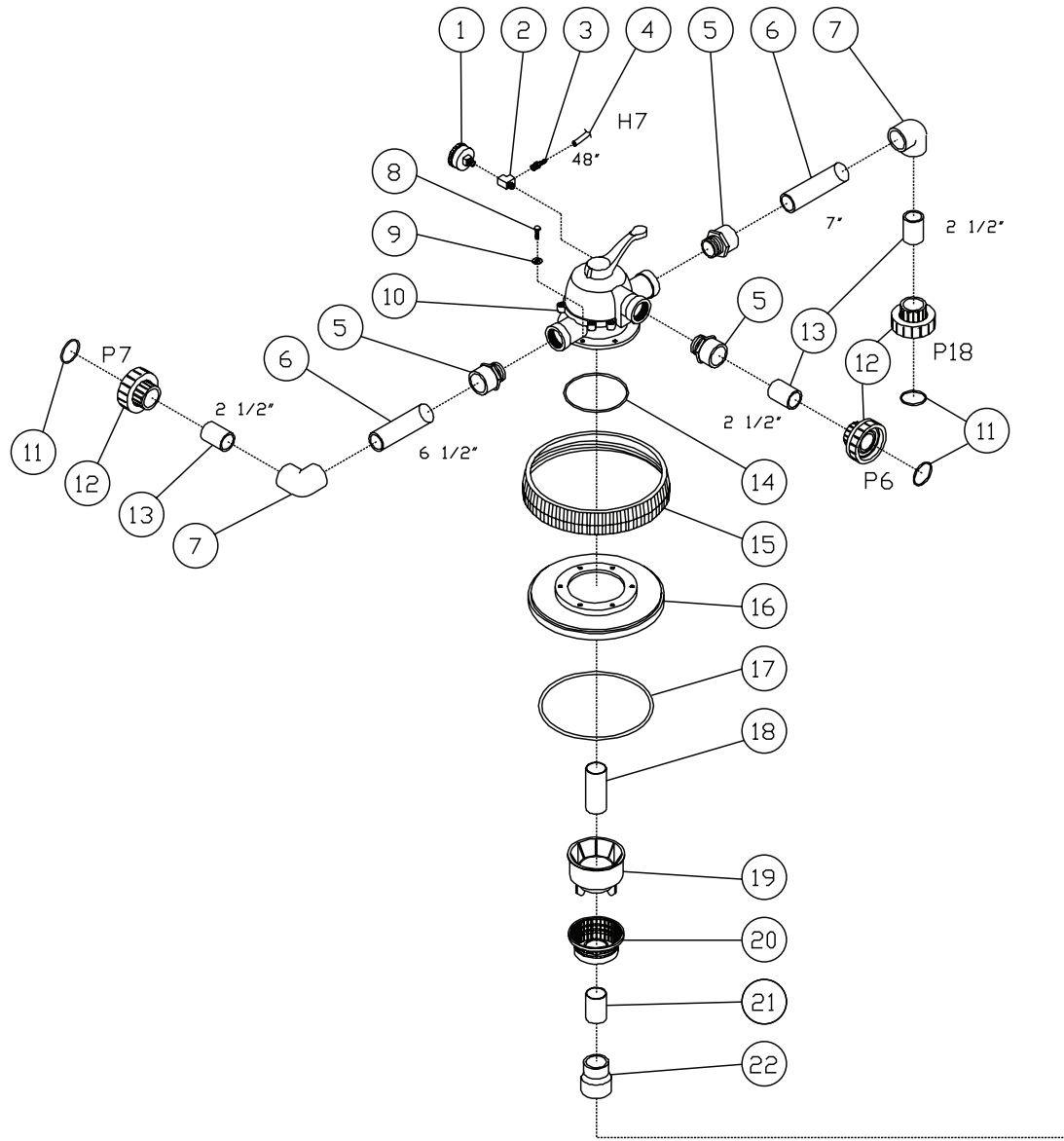
# TANK ASSEMBLY - BACK VIEW



WLP-0044-043099-JJ

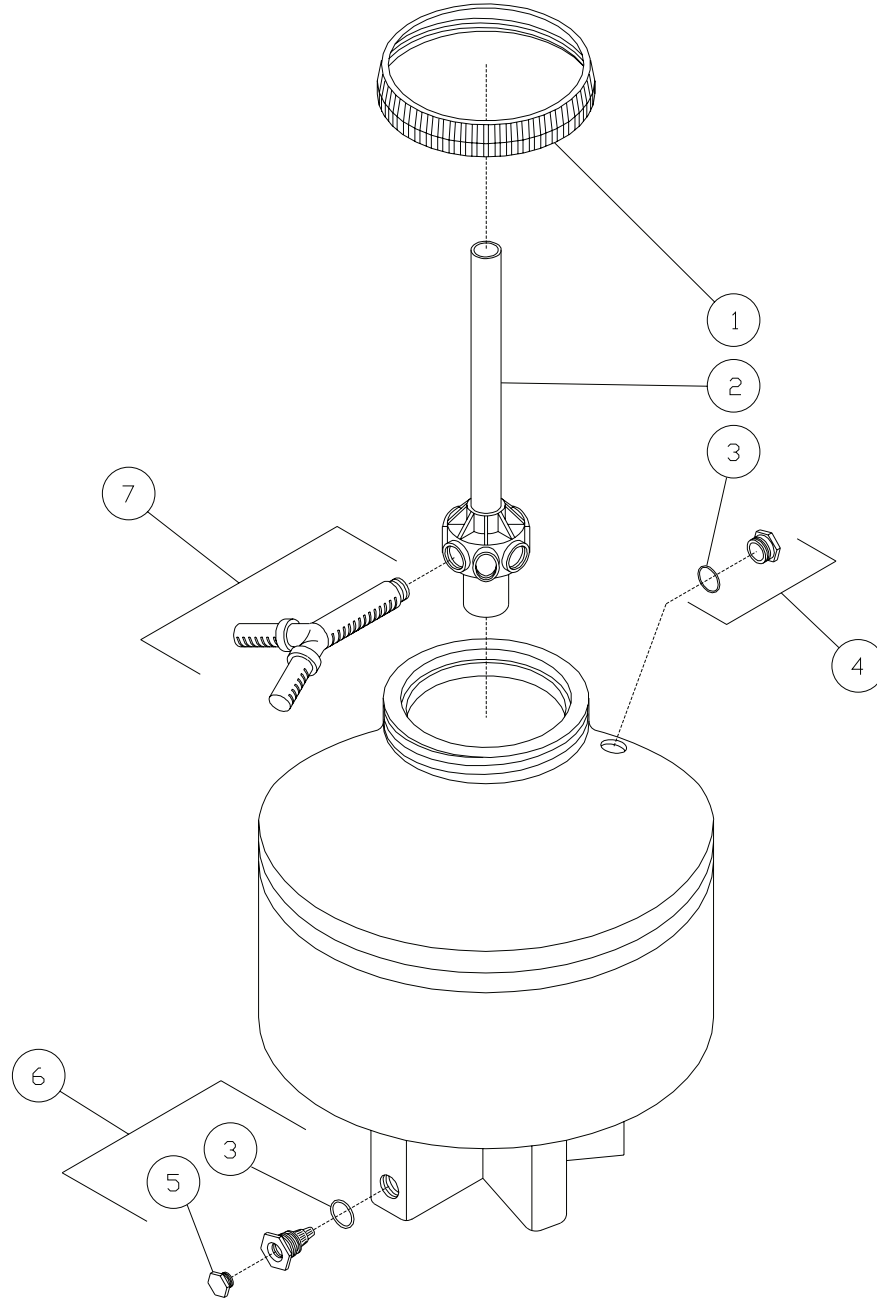
TANK ASSEMBLY- BACK VIEW							
REF. #	DESCRIPTION	PART#	QTY.	REF. #	DESCRIPTION	PART#	QTY.
1	Elbow	55-1610	2	17	Screw	N/A	8
2	Nipple	55-1674	3	18	Crimped Wire Splice	32-0359	3
3	Elbow	23-0035	1	19	Locknut	32-0108	1
4	Bolt	31-5027	4	20	Strain Relief	32-0437	3
5	Oil Plate	21-0107	1	21	Cord *(Eleven Feet Required)	32-0074	1
6	Nut	30-5202	4	22	Hose *(Seven Feet Required)	15-0021	1
7	Oil/ Water Seperator Tank	12-9070	1	23	Valve	22-0074	1
8	Pipe *(Varied Feet Required)	55-1600	1	24	Check Valve	22-0286	1
9	Elbow	55-1609	2	25	Valve	55-1671	1
10	Union (Includes O-ring 25-0448)	55-1645	3	26	Tee	55-1607	1
11	O-ring	25-0448	3	27	Plug	55-1240	4
12	Ozone Generator	32-0531	1	28	Plug	55-1840	1
13	Washer	28-0122	3	29	Float	32-0527	1
14	Lockwasher	29-1007	3	30	Float	32-0529	1
15	Bolt	27-5066	3	*Must Order in One Foot Lengths			
16	Cover- Ozone Generator	N/A	1				

# PLUMBING: MULTI-MEDIA FILTER



PLUMBING: MULTI- MEDIA ASSEMBLY							
REF. #	DESCRIPTION	PART#	QTY.	REF. #	DESCRIPTION	PART#	QTY.
1	Pressure Gauge	22-0284	1	14	O-ring	25-0442	1
2	Tee	23-0127	1	15	Lock Nut	19-0516	1
3	Hose Barb	23-0051	1	16	Adapter	19-0515	1
4	Hose *(Four Feet Required)	15-0021	1	17	O-ring	25-0446	1
5	Adapter	55-1622	3	18	Pipe	55-0029	1
6	Pipe *(Varied Feet Required)	55-1685	1	19	Diverter	19-0511	1
7	Elbow	55-1609	2	20	Basket	19-0513	1
8	Bolt	27-0067	6	21	Pipe	55-0032	1
9	Washer	28-0122	6	22	Reducing Coupling	55-0031	1
10	Valve	55-0014	1	23	Strap Assembly	33-0315	1
11	O-ring	25-0448	3	24	Media Filter	19-0505	1
12	Union (Includes O-ring 25-0448)	55-1645	3	*Must Order in One Foot Lengths			
13	Pipe *(Varied Feet Required)	55-1600	1				

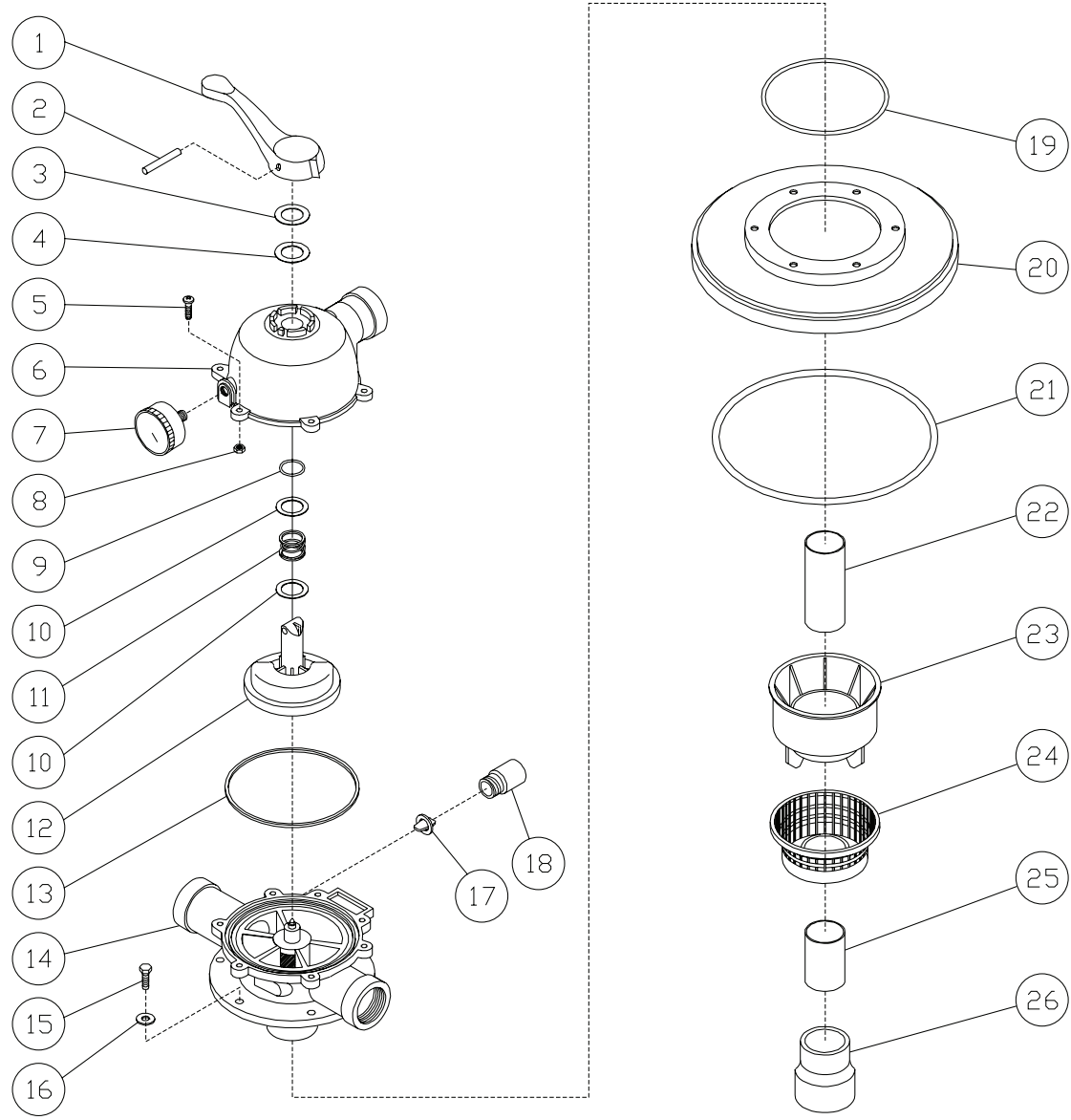
# MULTI-MEDIA FILTER (19-0505)



19-0505-020199-JJ

<b>MULTI- MEDIA FILTER (19-0505)</b>			
<b>REF. #</b>	<b>DESCRIPTION</b>	<b>PART#</b>	<b>QTY.</b>
1	Nut	19-0516	1
2	Manifold Standpipe	55-0042	1
3	O-ring	25-0452	2
4	Inspection Plug Assembly (Includes O-ring 25-0452)	55-0048	1
5	Plug w/ O-ring	55-0046	1
6	Drain Plug Assembly (Includes 3, 5)	55-0047	1
7	Laterals (Eight per package)	55-0044	1

# MULTI-MEDIA DIAL VALVE (55-0014)



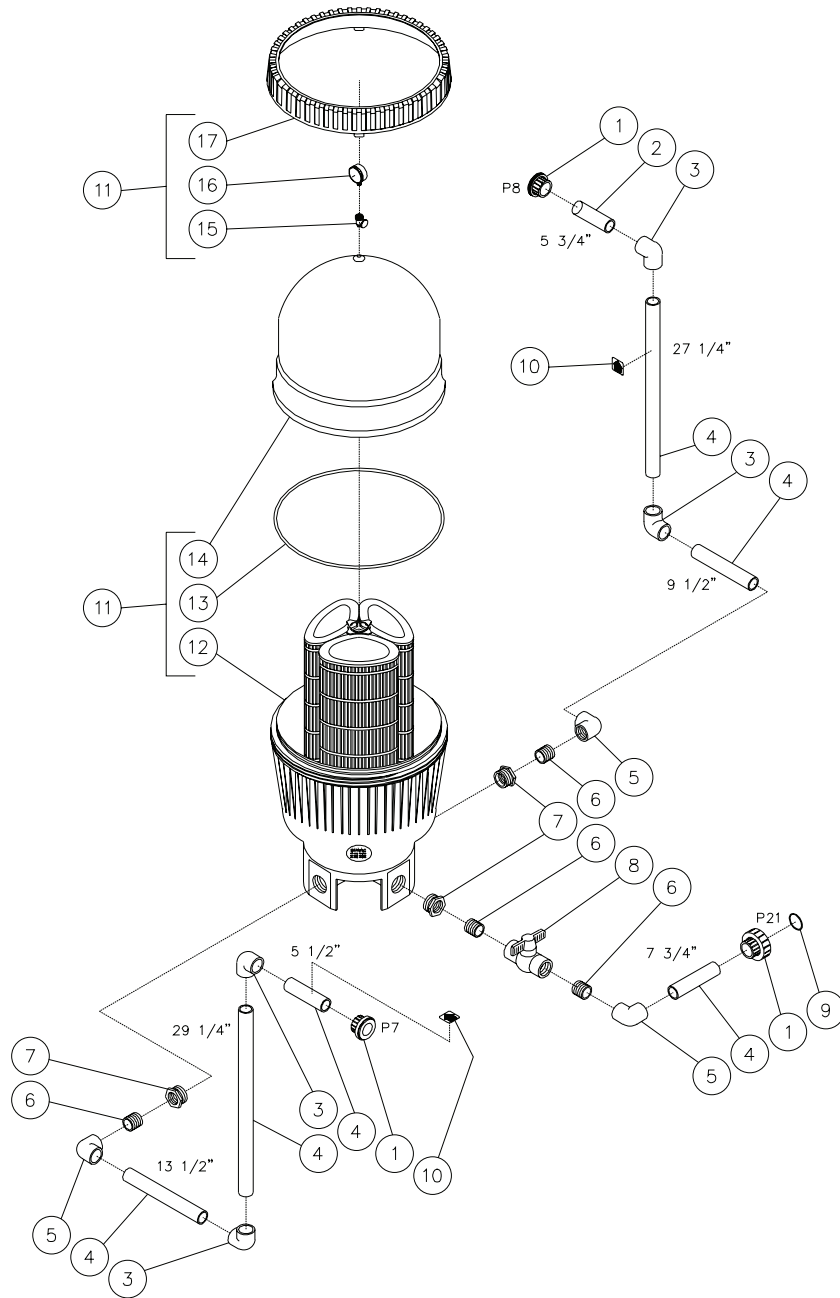
55-0014-020299-JJ



MULTI- MEDIA DIAL VALVE (55-0014)								
REF. #	DESCRIPTION	PART#	QTY.		REF. #	DESCRIPTION	PART#	QTY.
1	Handle (See 70-0246)	N/A Sep.	1		16	Washer	28-0122	6
2	Pin (See 70-0246)	N/A Sep.	1		17	Deflector	26-0213	1
3	Washer (See 70-0246)	N/A Sep.	1		18	Sight Glass	33-0319	1
4	Shim (See 70-0246)	N/A Sep.	1		19	O-ring	25-0442	1
5	Bolt	27-8935	7		20	Adapter	19-0515	1
6	Cover	55-0049	1		21	O-ring	25-0446	1
7	Pressure Gauge	22-0284	1		22	Pipe	55-0029	1
8	Hex Nut	30-5002	7		23	Diverter	19-0511	1
9	O-ring (See 70-0247)	N/A Sep	1		24	Basket	19-0513	1
10	Washer (See 70-0247)	N/A Sep	2		25	Pipe	55-0032	1
11	Spring (See 70-0247)	N/A Sep	1		26	Reducing Coupling	55-0031	1
12	Diverter (See 70-0247)	N/A Sep	1			Handle Kit (Includes 1-4)	70-0246	1
13	Square Ring (See 70-0247)	N/A Sep	1			Diverter Kit (Includes 5, 9-13)	70-0247	1
14	Body	55-0050	1			Cover Kit (Includes 1-13)	70-0248	1
15	Bolt	27-0067	6					

# CARTRIDGE FILTER / PLUMBING ASSEMBLY

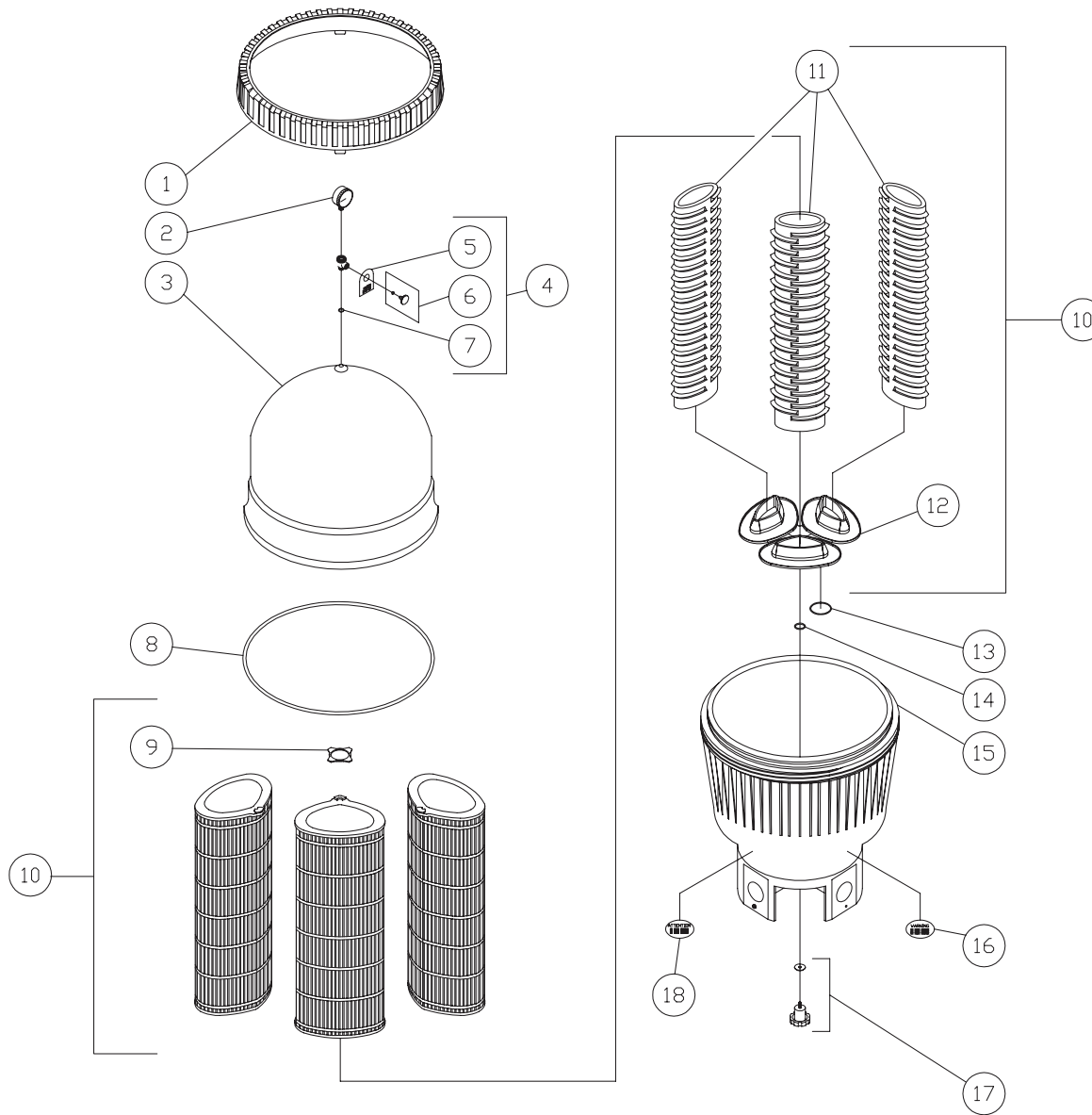
WLP-0032-020499-JJ



CARTRIDGE FILTER/ PLUMBING ASSEMBLY			
REF. #	DESCRIPTION	PART#	QTY.
1	Union (Includes O-ring 25-0448)	55-1645	3
2	Pipe *(Varied Feet Required)	55-1685	1
3	Elbow	55-1609	4
4	Pipe *(Varied Feet Required)	55-1600	1
5	Elbow	55-1610	3
6	Nipple	55-1674	4
7	Reducer Bushing	55-1833	3
8	Ball Valve	55-1654	1
9	O-ring	25-0448	1
10	Decal- Black Arrow	34-0883	2
11	Cartridge Filter Assembly	19-0601	1
12	Cartridge Filter Base	19-0525	1
13	O-ring	25-0453	1
14	Cartridge Filter Top	19-0520	1
15	Valve Assembly	19-0607	1
16	Pressure Gauge	22-0285	1
17	Nut	19-0519	1
*Must Order in One Foot Lengths			

WLP-0032-020499-JJ

## CARTRIDGE FILTER (19-0601)

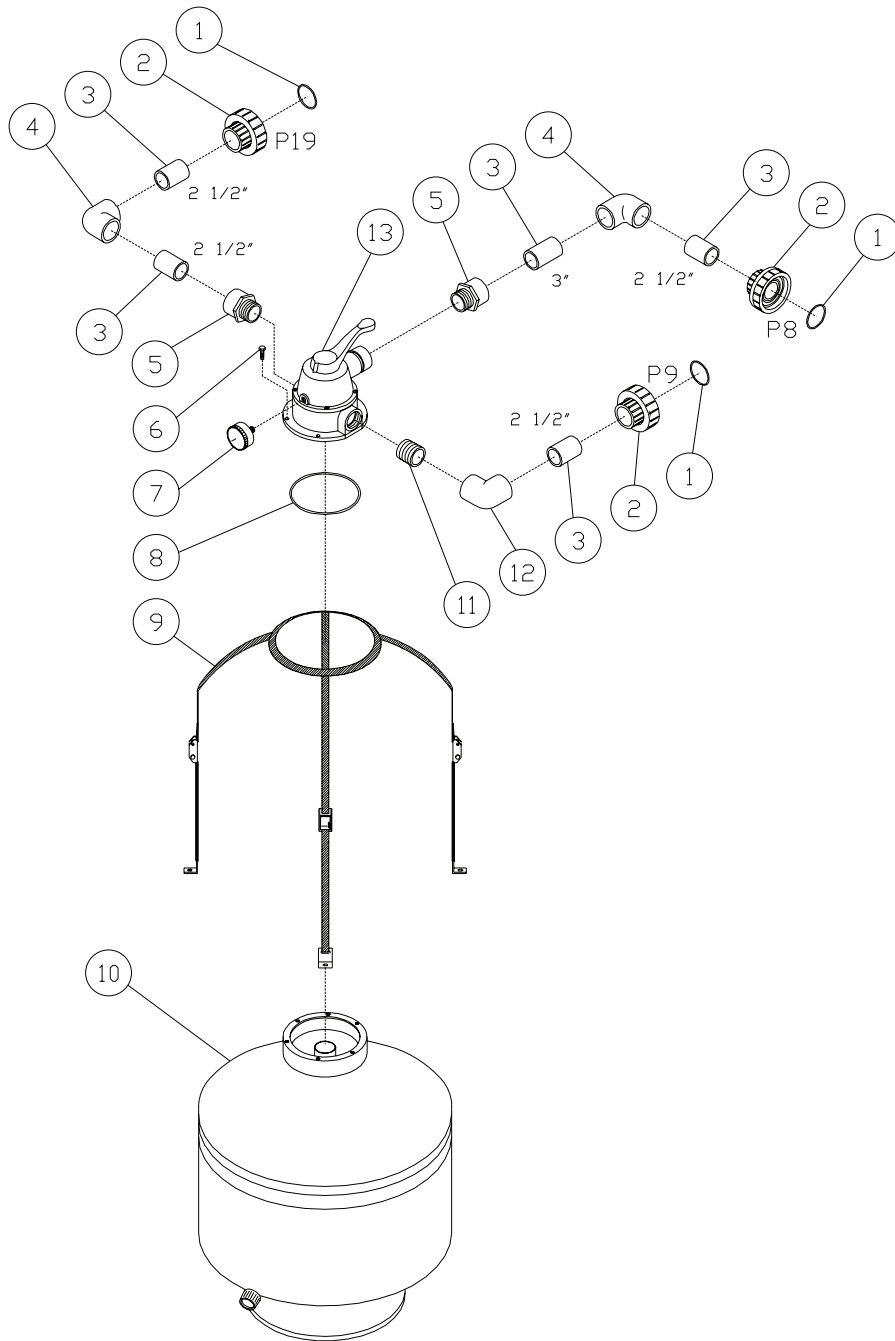


19-0601-070606-PJH

CARTRIDGE FILTER (19-0601)			
REF. #	DESCRIPTION	PART#	QTY.
1	Nut	19-0519	1
2	Pressure Gauge	22-0285	1
3	Cartridge Filter Top	19-0520	1
4	Valve Assembly (Includes 5-7)	19-0607	1
5	Decal- Caution: Air Vent	34-0959	1
6	Knob w/ O-ring	19-0517	1
7	O-ring	25-0123	1
8	O-ring	25-0453	1
9	Retainer Ring	19-0608	1
10	Filter (Inc. 9, 11-12)	19-0098	3
11	Filter Support	19-0522	3
12	Manifold- Filter Support	19-0524	1
13	O-ring- Manifold Large	25-0454	1
14	O-ring- Manifold Small	25-0455	1
15	Cartridge Filter Base	19-0525	1
16	Decal- Warning: High Pressure	34-0960	1
17	Manifold Knob w/ Washer	7-0155	1
18	Decal- Attention: Reassembly Filter	34-0961	1

19-0601-070606-PJH

## PLUMBING: POLISHING FILTER



WLP-0036-020499-JJ

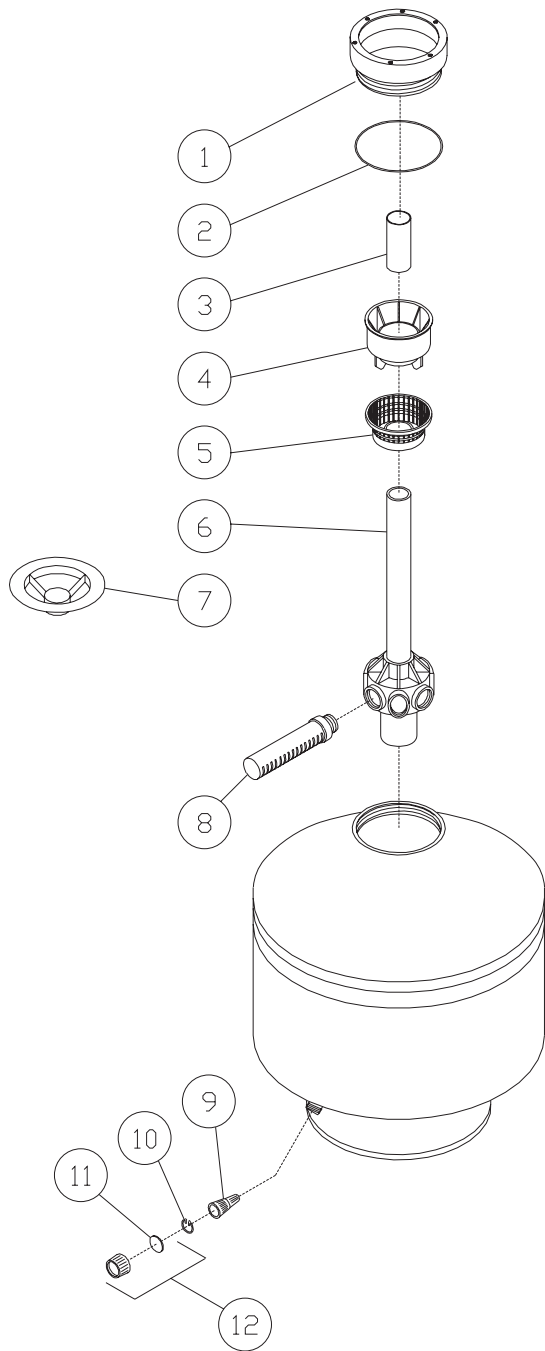
### PLUMBING: POLISHING FILTER

REF. #	DESCRIPTION	PART#	QTY.
1	O-ring	25-0448	3
2	Union (Includes O-ring 25-0448)	55-1645	3
3	Pipe *(Varied Feet Required)	55-1600	1
4	Elbow	55-1609	2
5	Adapter	55-1622	2
6	Bolt	27-0067	6
7	Pressure Gauge	22-0284	1
8	O-ring	25-0441	1
9	Strap Assembly	33-0316	1
10	Filter	19-0502	1
11	Nipple	55-1674	1
12	Elbow	55-1610	1
13	Valve	55-0013	1

\*Must Order in One Foot Lengths

WLP-0036-020499-JJ

## POLISHING FILTER (19-0502)

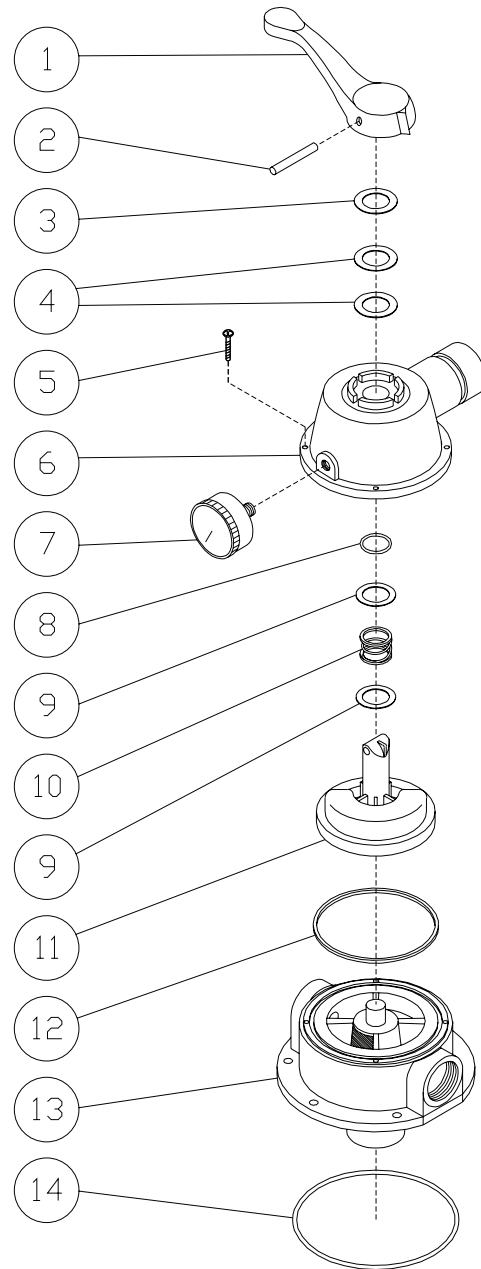


19-0502-020499-JJ

FILTER (19-0502)			
REF. #	DESCRIPTION	PART#	QTY.
1	Tank Adapter	19-0518	1
2	O-ring	25-0451	1
3	Pipe	55-0029	1
4	Diverter	19-0511	1
5	Filter Basket	19-0513	1
6	Standpipe Assembly	55-0038	1
7	Fill Spout	19-0512	1
8	Lateral (Eight per package)	55-0040	1
9	Drain Nozzle	18-0335	1
10	Drain Nozzle Retainer	42-0029	1
11	Drain Nozzle Gasket	26-0212	1
12	Drain Cap (Includes Gasket 26-0212)	39-0108	1
	Complete Filter (Inc. 1-12)	19-0502	

19-0502-020499-JJ

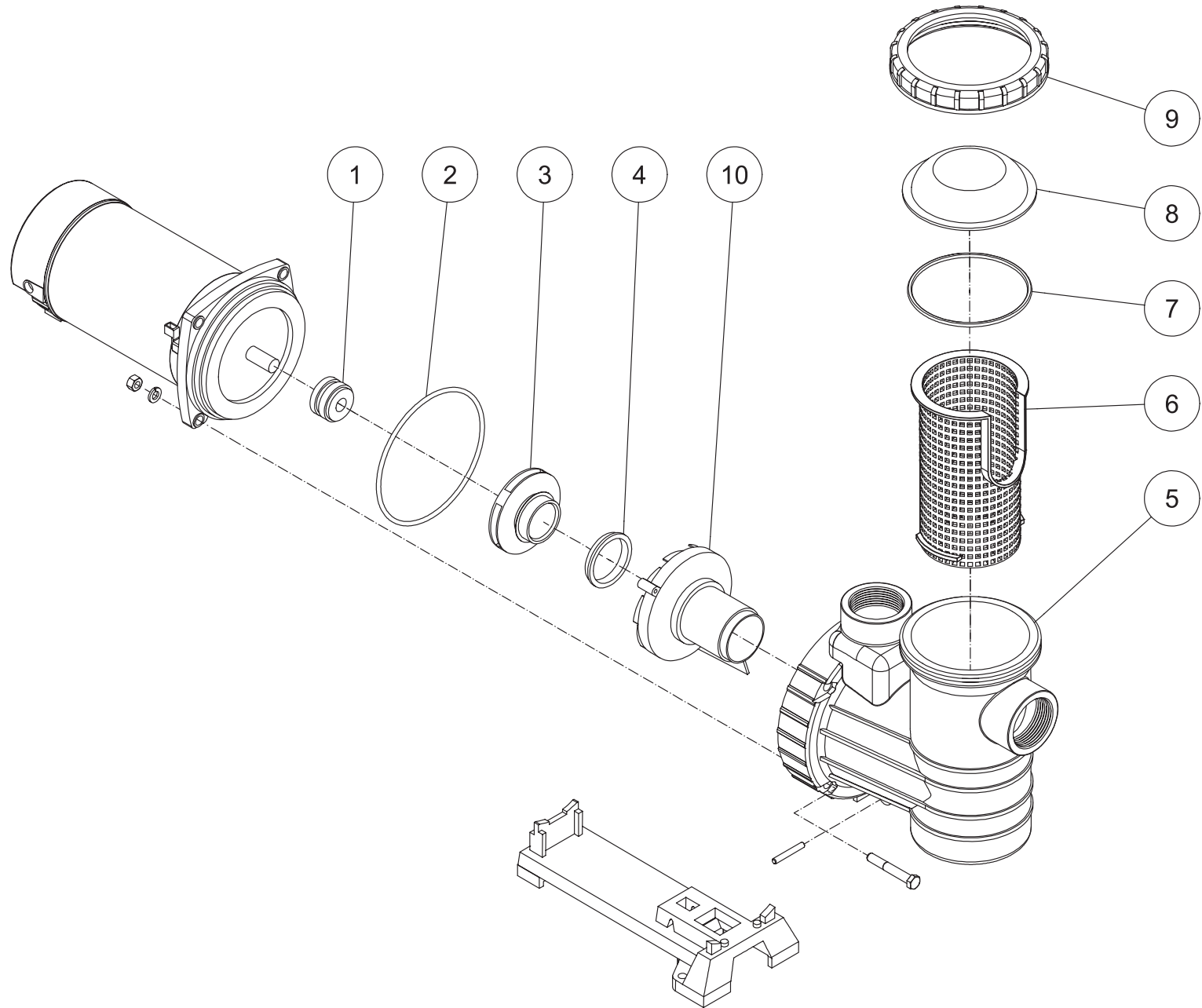
# POLISHING FILTER DIAL VALVE (55-0013)



55-0013-020299-JJ

POLISHING FILTER DIAL VALVE (55-0013)			
REF. #	DESCRIPTION	PART#	QTY.
1	Handle (See 70-0246)	N/A Sep.	1
2	Pin (See 70-0246)	N/A Sep.	1
3	Washer (See 70-0246)	N/A Sep.	1
4	Shim (See 70-0246)	N/A Sep.	2
5	Screw	27-8936	4
6	Tank Cover	55-0051	1
7	Pressure Gauge	22-0284	1
8	O-ring (See 70-0250)	N/A Sep.	1
9	Washer (See 70-0250)	N/A Sep.	2
10	Spring (See 70-0250)	N/A Sep.	1
11	Diverter (See 70-0250)	N/A Sep.	1
12	Square Ring (See 70-0250)	N/A Sep.	1
13	Body	55-0052	1
14	Gasket	25-0441	1
	Handle Kit (Includes 1-4)	70-0246	1
	Diverter Kit (Includes 5, 8-12)	70-0250	1
	Cover Kit (Includes 1-6, 8-12)	70-0251	1

# SUMP PUMP (3-0214)



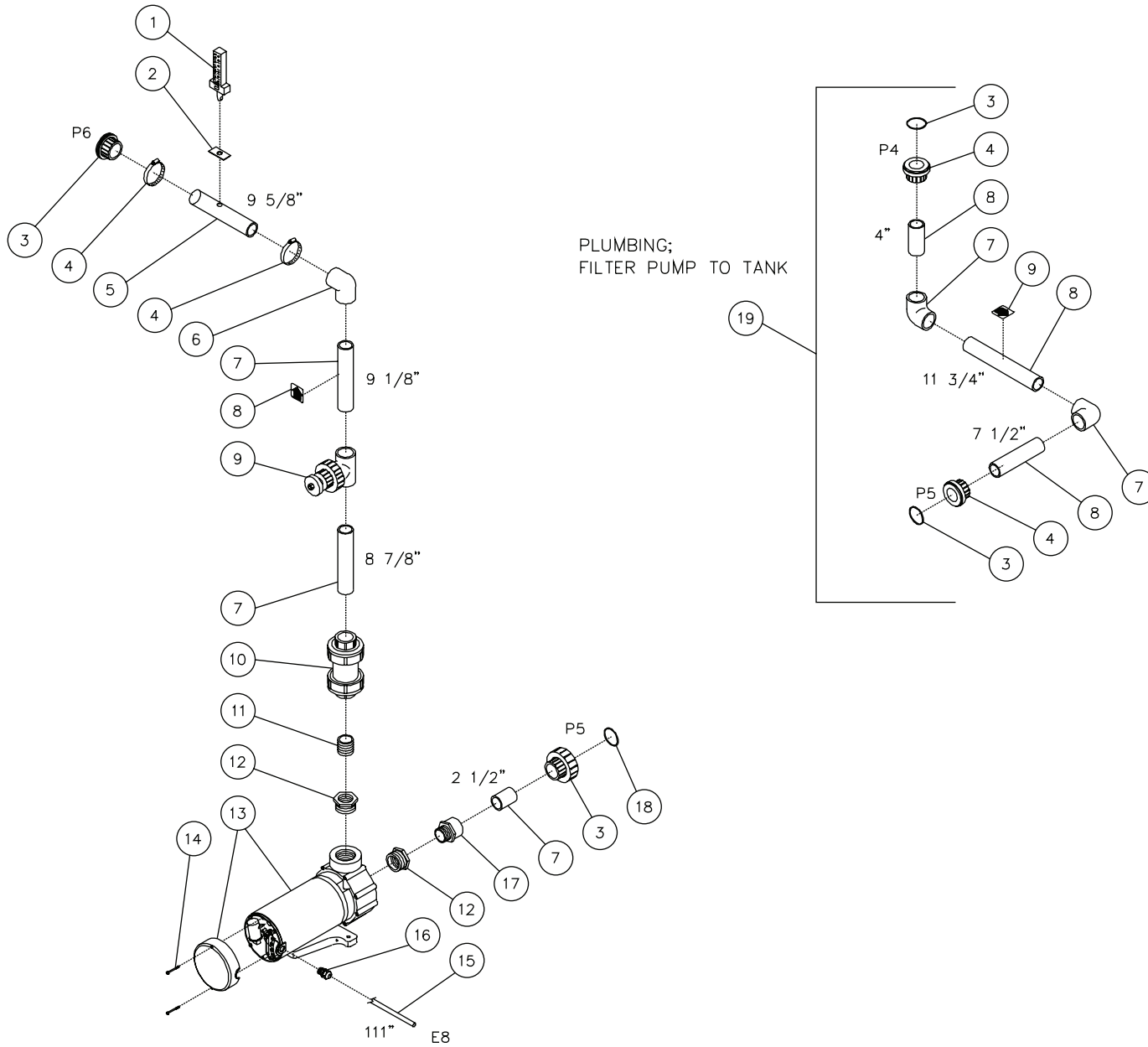
3-0214-020807-PJH



## 3-0214 STRAINER BASKET-020807-PJH

STRAINER BASKET PUMP (3-0214)			
REF. #	DESCRIPTION	PART #	QTY.
1	Mechanical Seal	26-0215	1
2	O-ring	25-0522	1
3	Impeller	46-1030	1
4	Eye Seal	26-0217	1
5	Case w/Plugs	46-1029	1
6	Strainer Basket	46-1028	1
7	O-ring	25-0521	1
8	Strainer Cover	46-1027	1
9	Strainer Ringlok	46-1026	1
10	Diffuser	46-1271	1

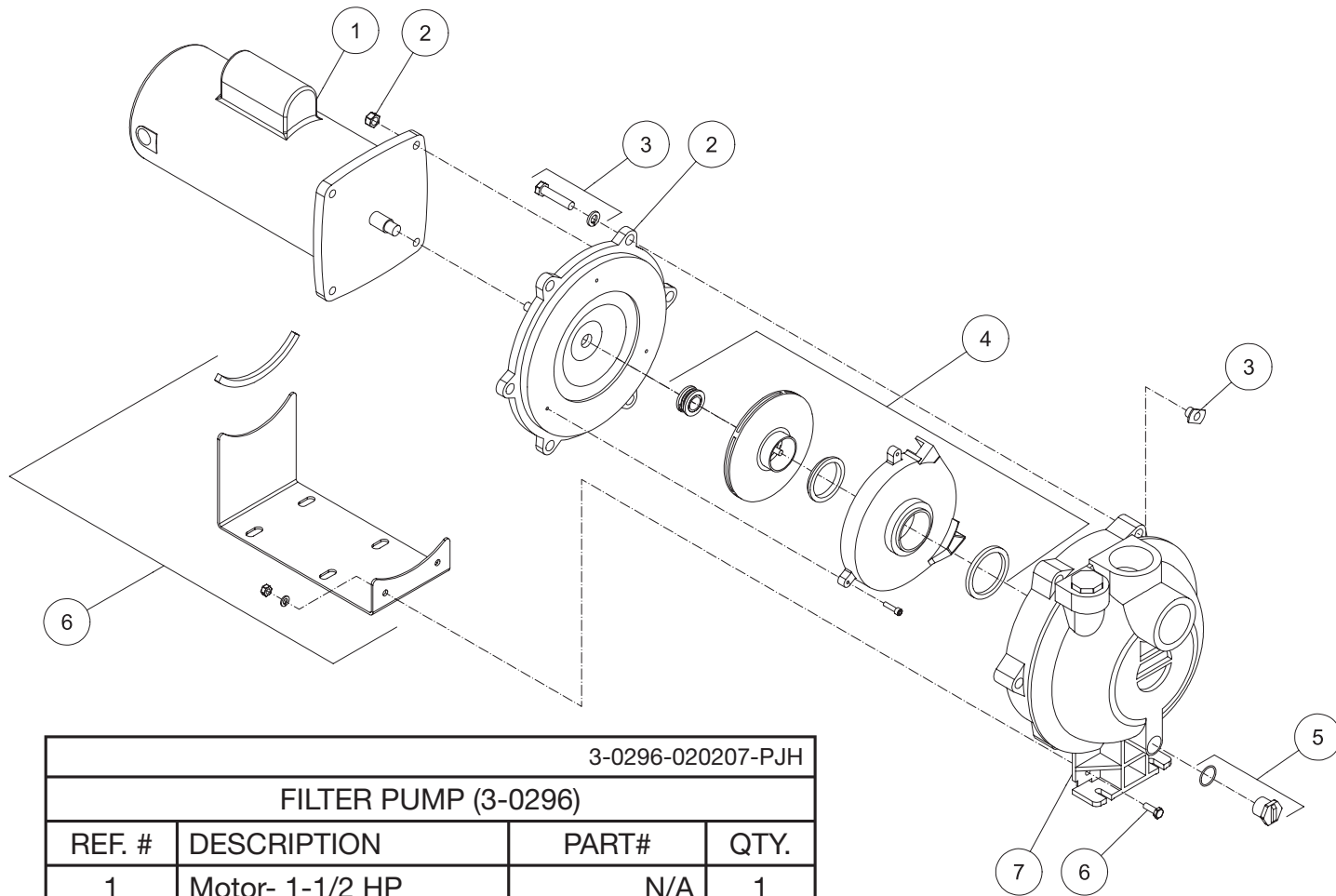
# FILTER PUMP ASSEMBLY



WLP-0068-012309

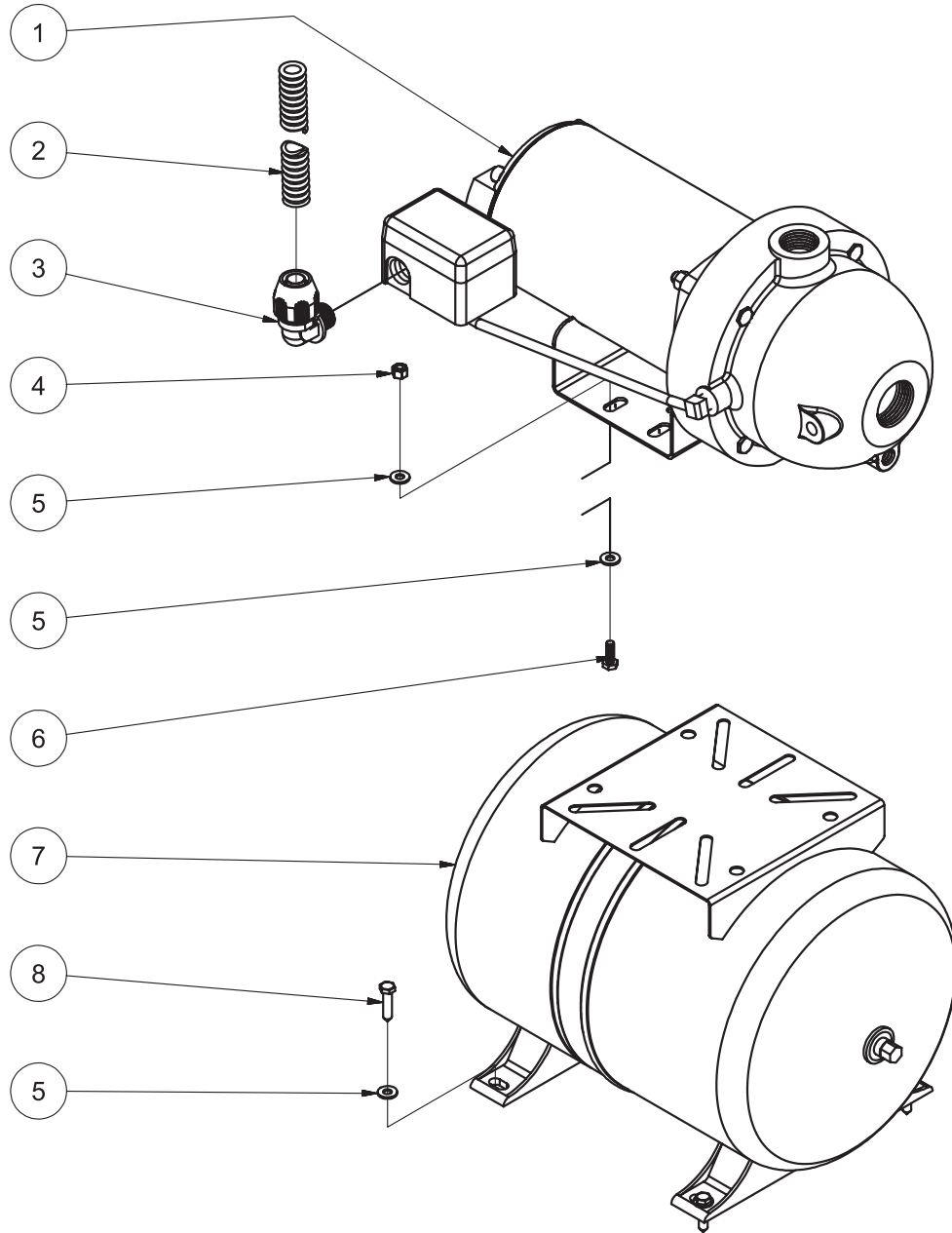
FILTER PUMP ASSEMBLY			
REF. #	DESCRIPTION	PART#	QTY.
1	Flow Meter (Includes 2, 5)	55-0016	1
2	Gasket	26-0209	1
3	Union (Includes O-ring 25-0448)	55-1645	4
4	Clamp	42-0027	2
5	Pipe *(Varied Feet Required)	55-1685	1
6	Elbow	55-1609	3
7	Pipe *(Varied Feet Required)	55-1600	1
8	Decal- Black Arrow	34-0883	2
9	Gate Valve	55-1671	1
10	Check Valve	55-1652	1
11	Nipple	55-1674	1
12	Reducer Bushing	55-1833	2
13	Filter Pump (Includes Ref. 15)	3-0296	1
14	Screw	N/A	2
15	Cord *(Ten Feet Required)	32-0074	1
16	Strain Relief	32-0437	1
17	Adapter	55-1622	1
18	O-ring	25-0448	3
19	Plumbing: Filter Pump to Tank (Inc. 3, 4, 7-9)	N/A Sep.	1
*Must Order in One Foot Lengths			

## FILTER PUMP (3-0296)



3-0296-020207-PJH			
FILTER PUMP (3-0296)			
REF. #	DESCRIPTION	PART#	QTY.
1	Motor- 1-1/2 HP	N/A	1
2	Seal Plate	46-1269	1
3	Fastner Kit	N/A	
4	Hydraulic Repair Kit	70-0466	1
5	Drain Plug	39-0224	1
6	Base Plate	46-1270	1
7	Plastic Case	46-1268	1

## TRANSFER PUMP / TANK ASSEMBLY

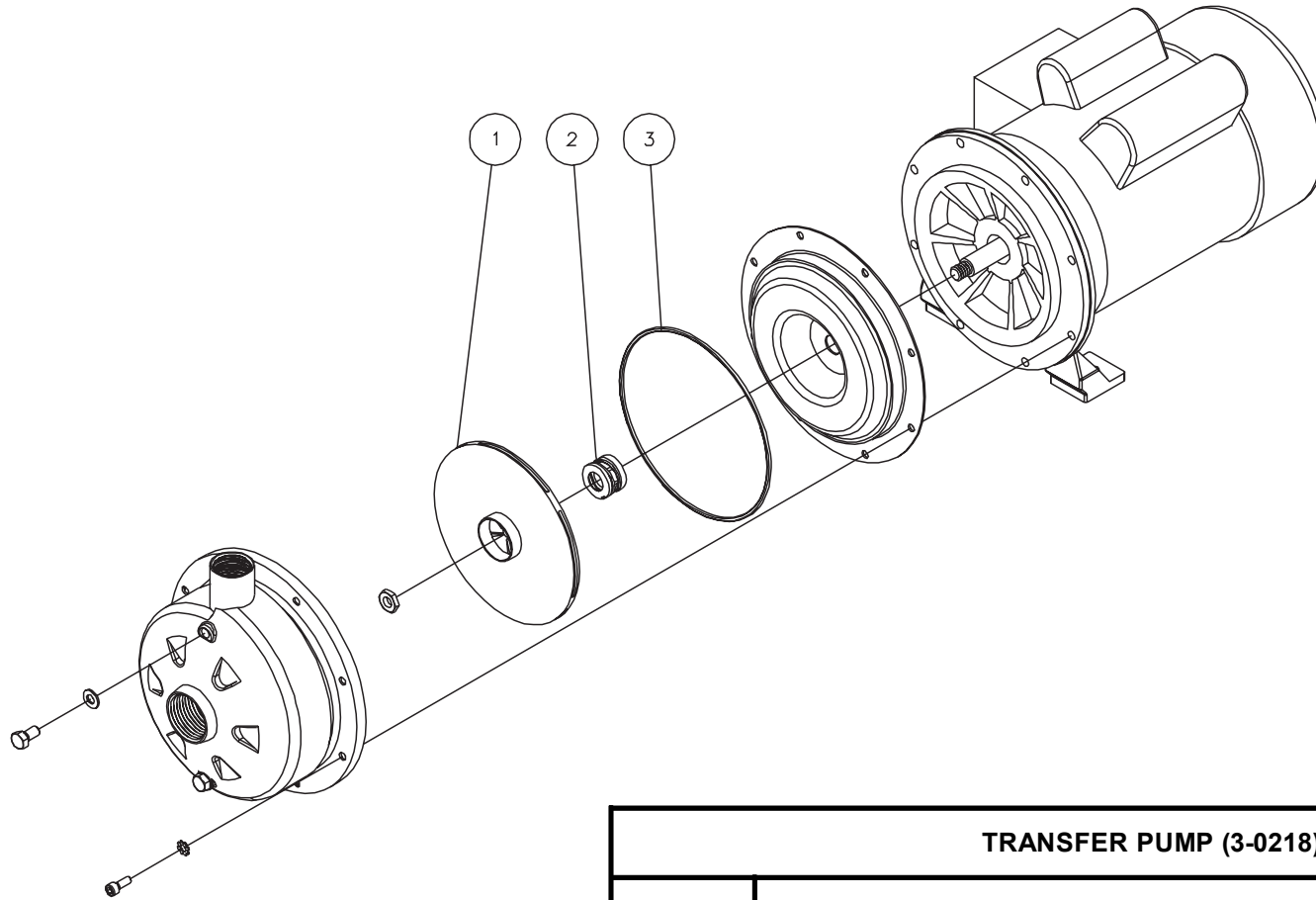


TRANSFER PUMP\_PRESSUER TANK ASSY-WLP-20-0M10-111006-PJH

TRANSFER PUMP AND TANK ASSEMBLY			
REF. #	DESCRIPTION	PART#	QTY.
1	Transfer Pump	3-0181	1
2	Conduit *(Three Feet Required)	32-0253	1
3	Conduit Elbow	32-0254	1
4	Locknut	30-5155	4
5	Washer	28-0121	12
6	Bolt	27-0015	4
7	Pressure Tank	12-0198	1
8	Lag Bolt	27-5277	4
*Must Order in One Foot Lengths			

TRANSFER PUMP\_PRESSURE TANK ASSY WLP-20-0M10 111006-PJH

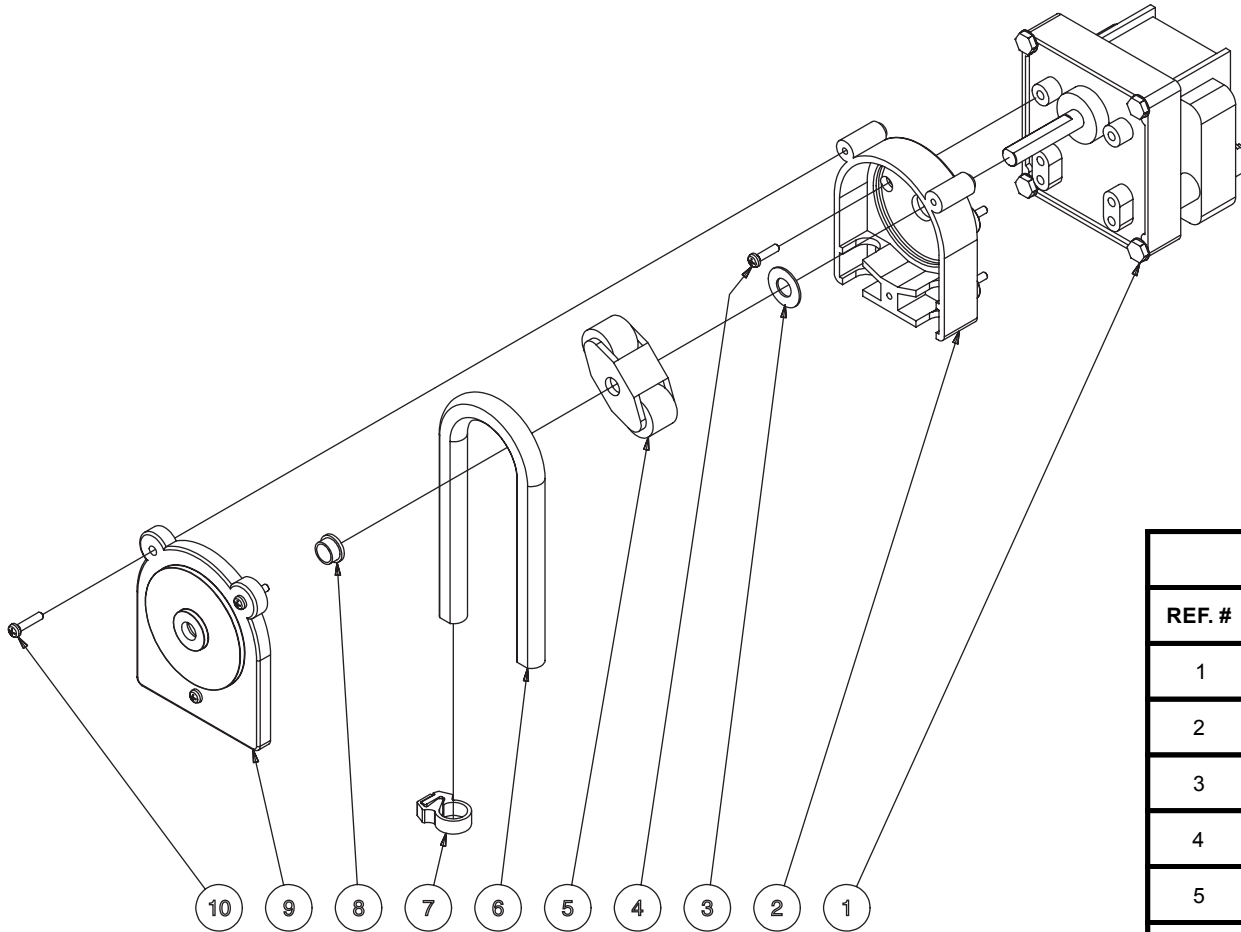
## TRANSFER PUMP (3-0192)



3-0218-070202-KS

TRANSFER PUMP (3-0218)			
REF. #	DESCRIPTION	PART #	QTY.
1	Impeller	46-1073	1
2	Seal	26-0266	1
3	O-ring	25-0540	1
	Complete Transfer Pump	3-0218	

## PH / ORP PUMP (3-0182)

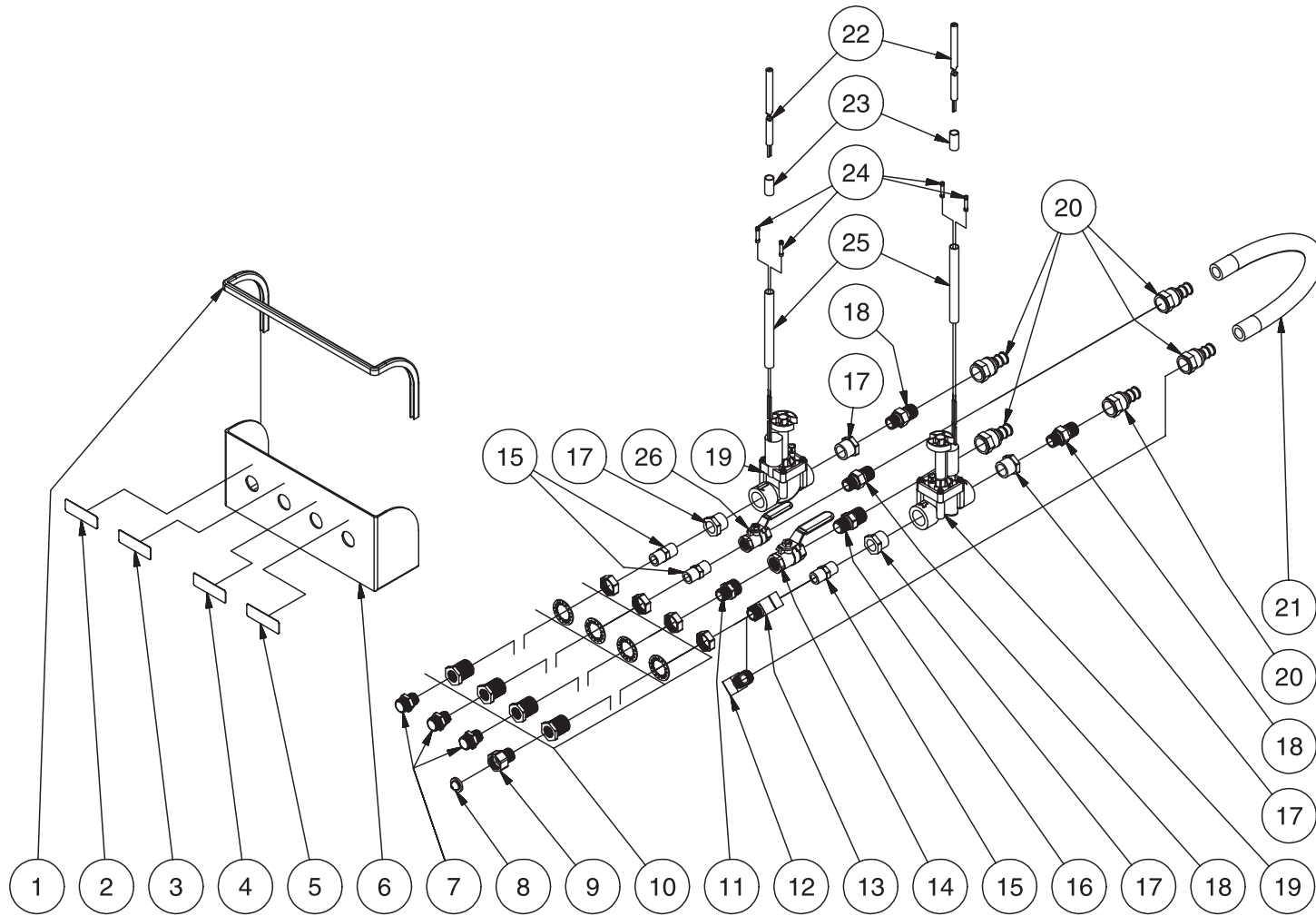


3-0182-042604-ASY

PH/ ORP PUMP (3-0182)			
REF. #	DESCRIPTION	PART#	QTY.
1	Motor	N/A	1
2	Housing (See 70-0245)	N/A Sep.	1
3	Screw	27-2771	4
4	Washer (See 70-0245)	N/A Sep.	1
5	Roller Bracket Assembly	46-0830	1
6	Tube	15-0205	1
7	Clamp	42-0028	1
8	Bushing	9-0080	1
9	Pump Cover (See 70-0245)	N/A Sep.	1
10	Screw (See 70-0245)	N/A Sep.	3
	PH/ORP Pump Kit (Includes 2, 4, 5, 9, 10)	70-0245	1
	PH/ORP Pump (Includes 1- 10)	3-0182	1

3-0182-042604-ASY

# MANIFOLD ASSEMBLY

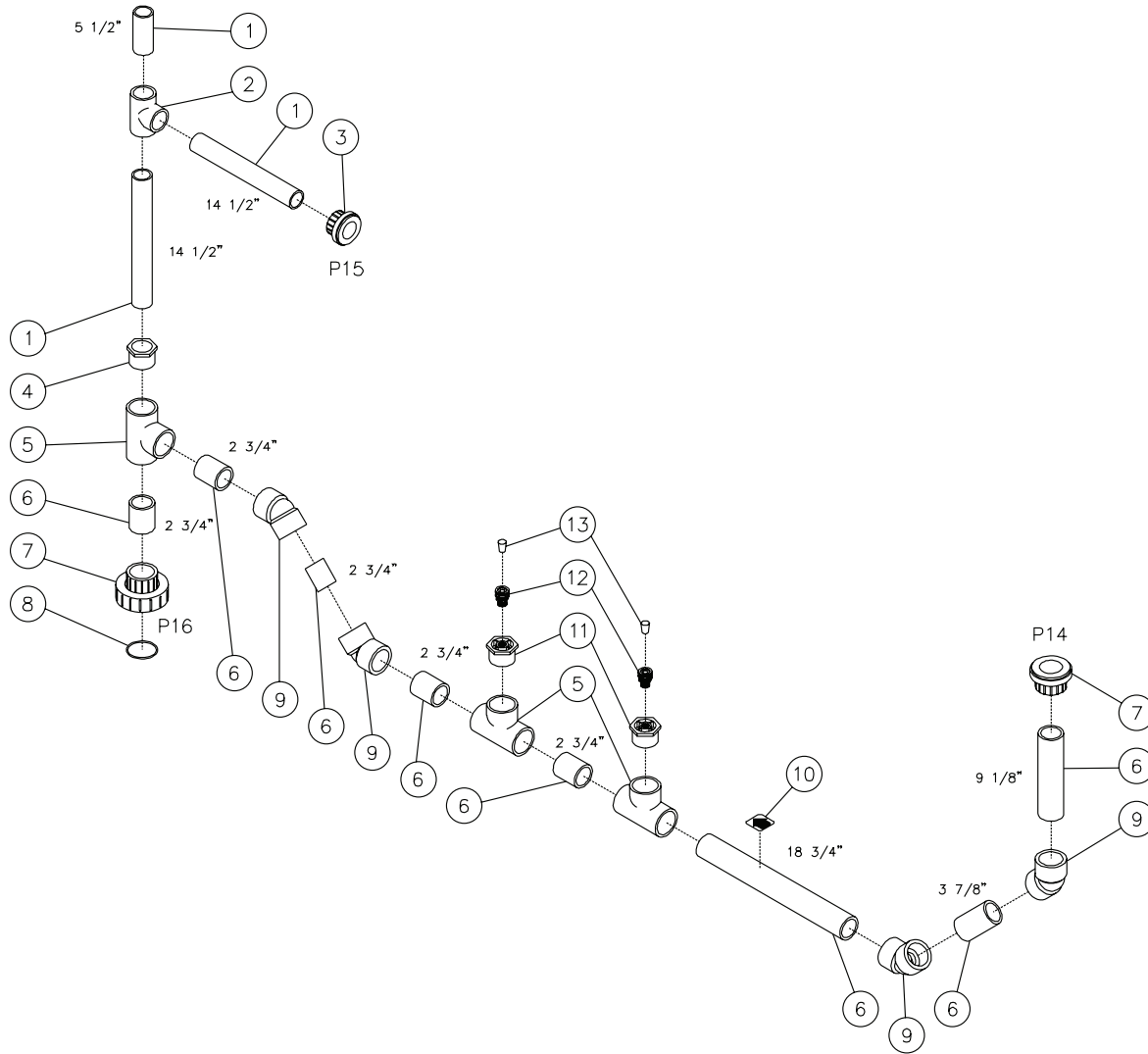




LOW PROFILE MANIFOLD ASSY- 081905-ASY

LOW PROFILE MANIFOLD ASSEMBLY							
REF. #	DESCRIPTION	PART#	QTY.	REF. #	DESCRIPTION	PART#	QTY.
1	Edging *(Three Feet Required)	33-0020	1	14	Ball Valve	22-0279	1
2	Decal- Rain Water Overflow	34-0878	1	15	Nipple	23-0012	3
3	Decal- Rinse Water Outlet	34-0876	1	16	Nipple	23-0362	1
4	Decal- Pressure Washer Outlet	34-0877	1	17	Reducer Bushing	55-1234	4
5	Decal- Fresh Water Inlet	34-0879	1	18	Nipple	23-0359	3
6	Manifold Bracket	21-0116	1	19	Solenoid Valve	55-0102	2
7	Adapter	23-0136	3	20	Hose Barb	23-0358	3
8	Inlet Filter	19-0001	1	21	Hose *(Two Feet Required)	15-0033	1
9	Garden Hose Swivel	23-0095	1	22	Cord *(Six Feet Required)	32-0075	2
10	Tank Adapter	23-0365	4	23	Heat Shrink *(One Foot Required)	33-0219	2
11	Nipple	23-0082	1	24	Connector	32-0122	4
12	Elbow	23-0363	1	25	Heat Shrink *(One Foot Required)	33-0219	2
13	Tee	23-0124	1	26	Ball Valve	22-0278	1
*Must Order in One Foot Lengths							

## PLUMBING: PH/ORP ASSEMBLY

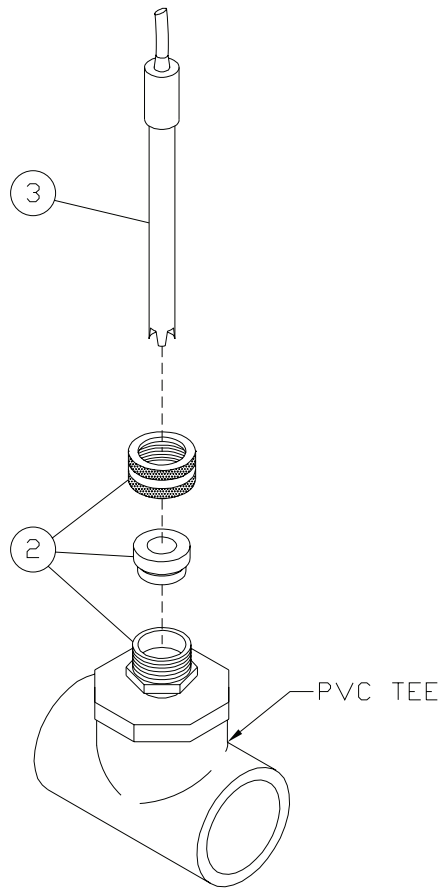
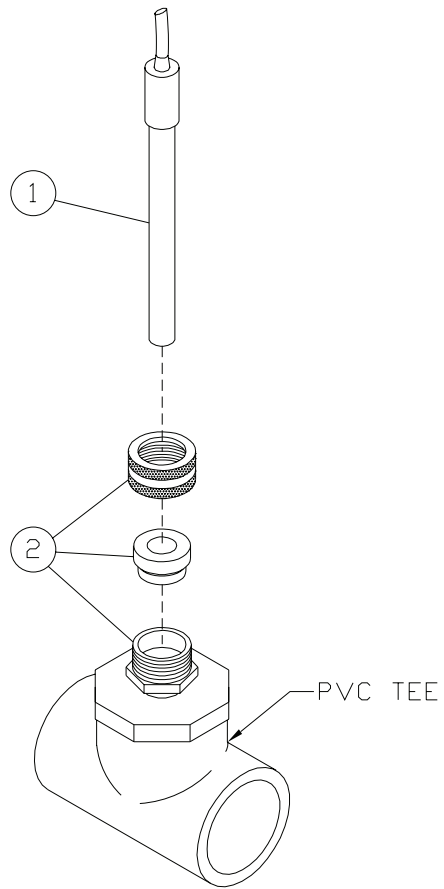


WLP-0060-043099-JJ

PLUMBING: PH/ ORP ASSEMBLY			
REF. #	DESCRIPTION	PART#	QTY.
1	Pipe *(Varied Feet Required)	55-1600	1
2	Tee	55-1601	1
3	Union (Includes O-ring 25-0448)	55-1645	1
4	Bushing	55-1823	1
5	Tee	55-1801	3
6	Pipe *(Varied Feet Required)	55-1800	1
7	Union (Includes O-ring 25-0449)	55-1845	2
8	O-ring	25-0449	2
9	Elbow	55-1812	4
10	Decal- Black/ Yellow	34-0883	1
11	Bushing	55-1832	2
12	Strain Relief	32-0550	2
13	Plug	32-0559	2
*Must Order in One Foot Lengths			

WLP-0060-043099-JJ

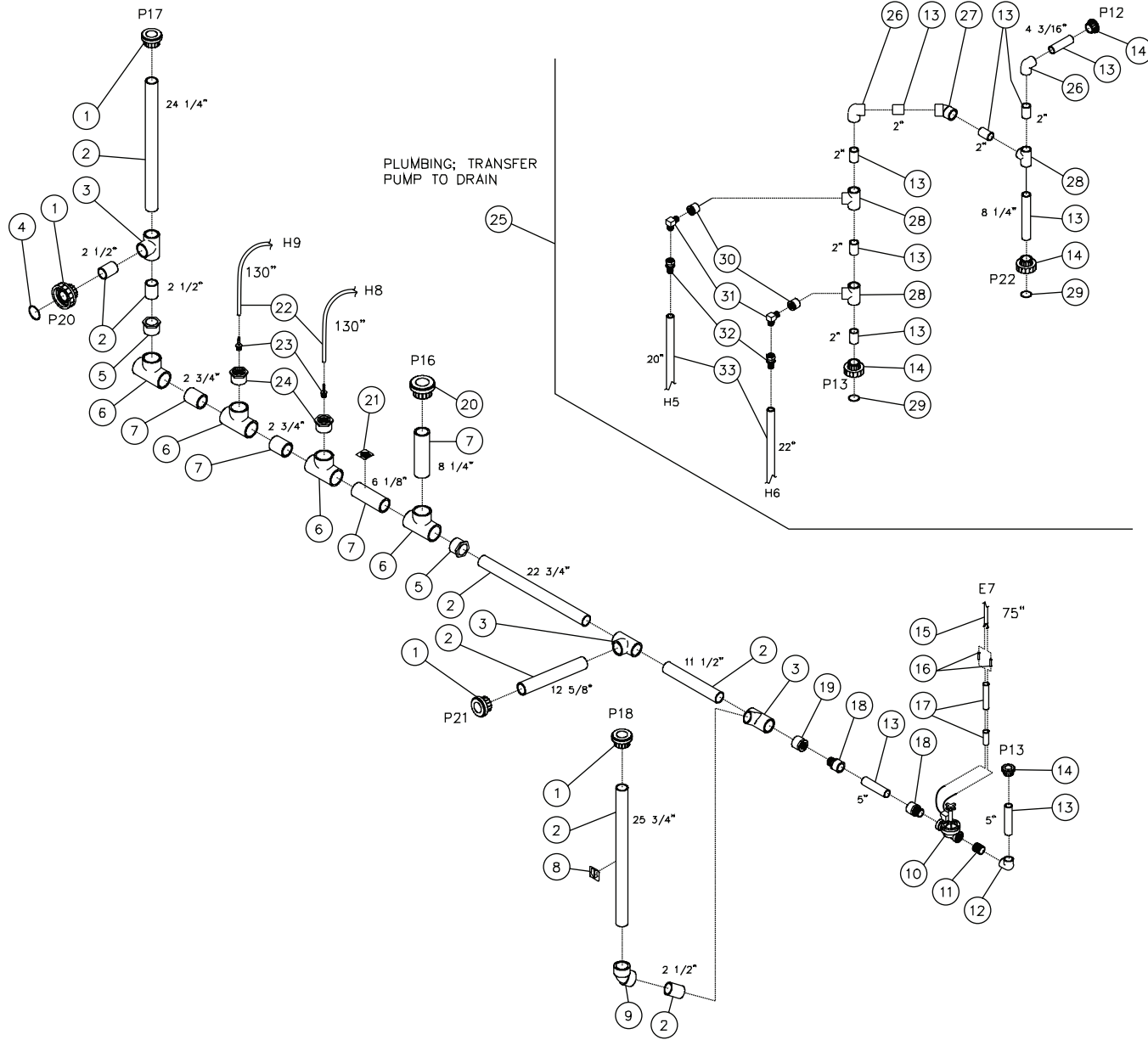
## PH/ORP PROBE INSTALLATION



WLP-0054-012199-JJ

PH/ ORP PROBE INSTALLATION			
REF. #	DESCRIPTION	PART#	QTY.
1	ORP Probe	32-0540	1
2	Strain Relief	32-0550	2
3	PH Probe	32-0538	1

# PLUMBING: DRAIN ASSEMBLY AND TRANSFER PUMP TO DRAIN

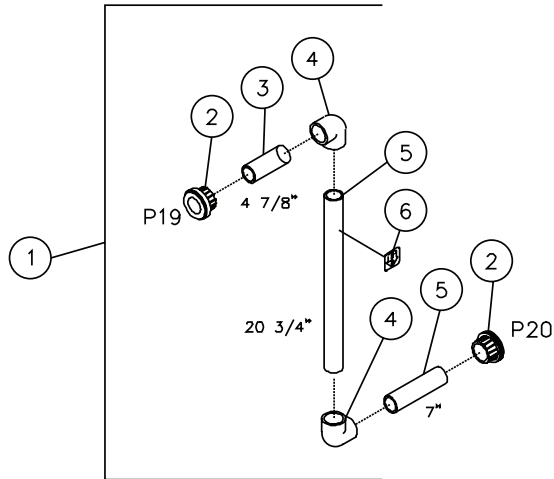


WLP-0061-043099-JJ

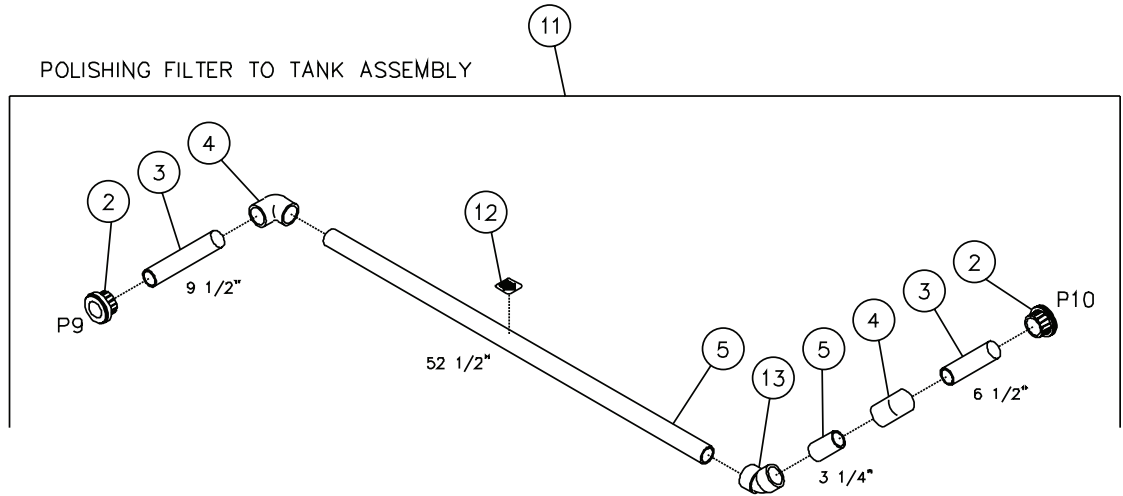
PLUMBING: DRAIN ASSEMBLY AND TRANSFER PUMP TO DRAIN							
REF. #	DESCRIPTION	PART#	QTY.	REF. #	DESCRIPTION	PART#	QTY.
1	Union (Includes O-ring 25-0448)	55-1645	4	18	Adapter	55-1222	2
2	Pipe *(Varied Feet Required)	55-1600	1	19	Bushing	55-1629	1
3	Tee	55-1601	3	20	Union (Includes O-ring 25-0449)	55-1845	1
4	O-ring	25-0448	1	21	Decal- Black/ Yellow Arrow	34-0883	1
5	Reducer Bushing	55-1823	2	22	Hose *(Twenty-Two Feet Required)	15-0021	1
6	Tee	55-1801	4	23	Adapter	55-0023	2
7	Pipe *(Varied Feet Required)	55-1800	1	24	Reducing Bushing	55-1832	2
8	Decal- Backwash Arrow	34-0882	1	25	Plumbing: Transfer Pump to Drain (Inc. 13-14, 26-33)	N/A Sep.	1
9	Elbow	55-1612	1	26	Elbow	55-1209	2
10	Diaphragm Valve	55-0019	1	27	Elbow	55-1212	1
11	Nipple	55-1274	1	28	Tee	55-1201	3
12	Elbow	55-1210	1	29	O-ring	25-0447	2
13	Pipe *(Varied Feet Required)	55-1200	1	30	Bushing	55-1228	2
14	Union (Includes O-ring 25-0447)	55-1245	4	31	Elbow	23-0364	2
15	Cord *(Seven Feet Required)	32-0075	1	32	Hose Barb	23-0358	2
16	Connector	32-0122	2	33	Hose *(Four Feet Required)	15-0033	1
17	Heat Shrink	33-0219	2	*Must Order in One Foot Lengths			

# PLUMBING ASSEMBLIES

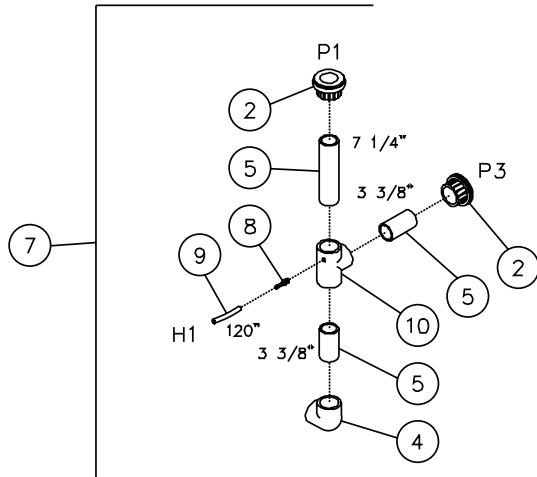
POLISHING FILTER TO DRAIN



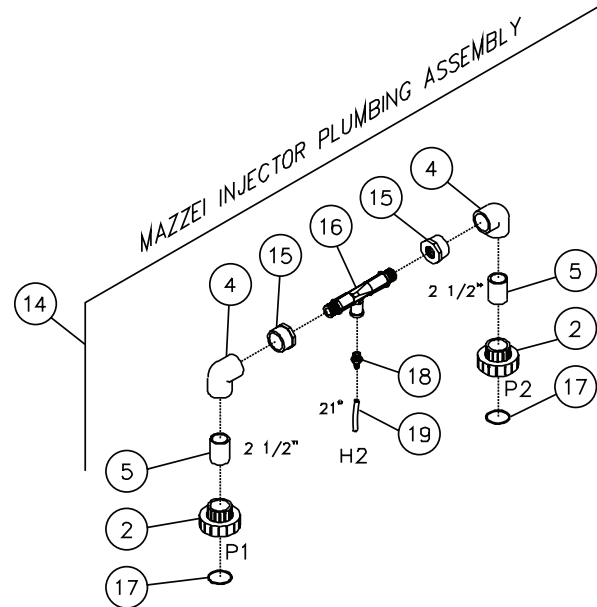
POLISHING FILTER TO TANK ASSEMBLY



PLUMBING; INLET



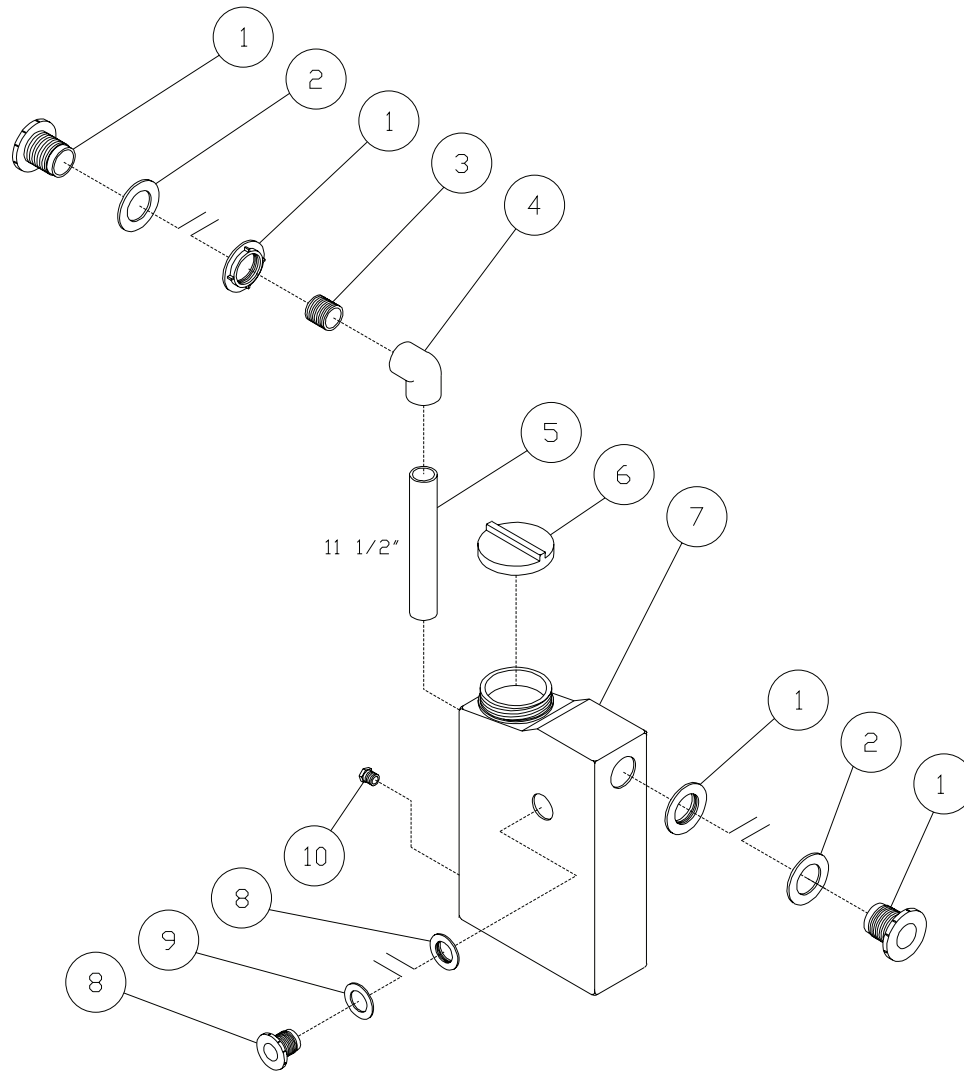
MAZZEI INJECTOR PLUMBING ASSEMBLY



WLP-0070-043099-JJ

PLUMBING ASSEMBLIES			
REF. #	DESCRIPTION	PART#	QTY.
1	Polishing Filter to Drain Assembly (Inc. 2-6)	N/A Sep.	1
2	Union (Includes O-ring 25-0448)	55-1645	8
3	Pipe *(Varied Feet Required)	55-1685	1
4	Elbow	55-1609	7
5	Pipe *(Varied Feet Required)	55-1600	1
6	Decal- Backwash Arrow	34-0882	1
7	Inlet Assembly (Inc. 2, 4, 5, 8-10)	N/A Sep.	1
8	Hose Barb	23-0377	1
9	Hose *(Ten Feet Required)	15-0021	1
10	Tee	55-1601	1
11	Polishing Filter to Tank Assembly (Inc. 2-5, 12, 13)	N/A Sep.	1
12	Decal- Black Arrow	34-0883	1
13	Elbow	55-1612	1
14	Injector Assembly (Inc. 2, 4, 5, 15-19)	N/A Sep.	1
15	Bushing	55-1629	2
16	Injector	55-0015	1
17	O-ring	25-0448	2
18	Adapter	55-0023	1
19	Hose *(Two Feet Required)	15-0021	1
*Must Order in One Foot Lengths			

# OIL DECANTER ASSEMBLY



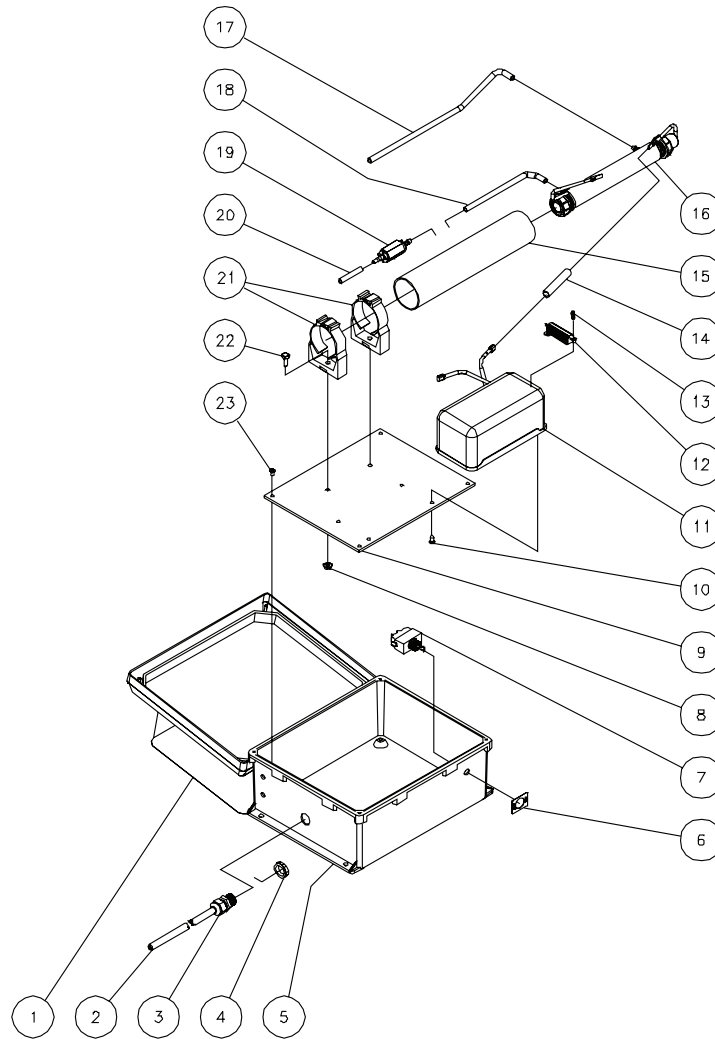
WLP-0043-020599-JJ



WLP-0043-020599-JJ

<b>OIL DECANTER ASSEMBLY</b>			
<b>REF. #</b>	<b>DESCRIPTION</b>	<b>PART#</b>	<b>QTY.</b>
1	Bulk Head Fitting (Includes Gasket 26-0211)	55-1648	2
2	Gasket	26-0211	2
3	Nipple	55-1674	1
4	Elbow	55-1610	1
5	Pipe *(Varied Feet Required)	55-1600	1
6	Plastic Lid	39-0100	1
7	Tank	12-0077	1
8	Bulk Head Fitting (Includes Gasket 26-0210)	55-1248	1
9	Gasket	26-0210	1
10	Plug	55-0840	1
*Must Order in One Foot Lengths			

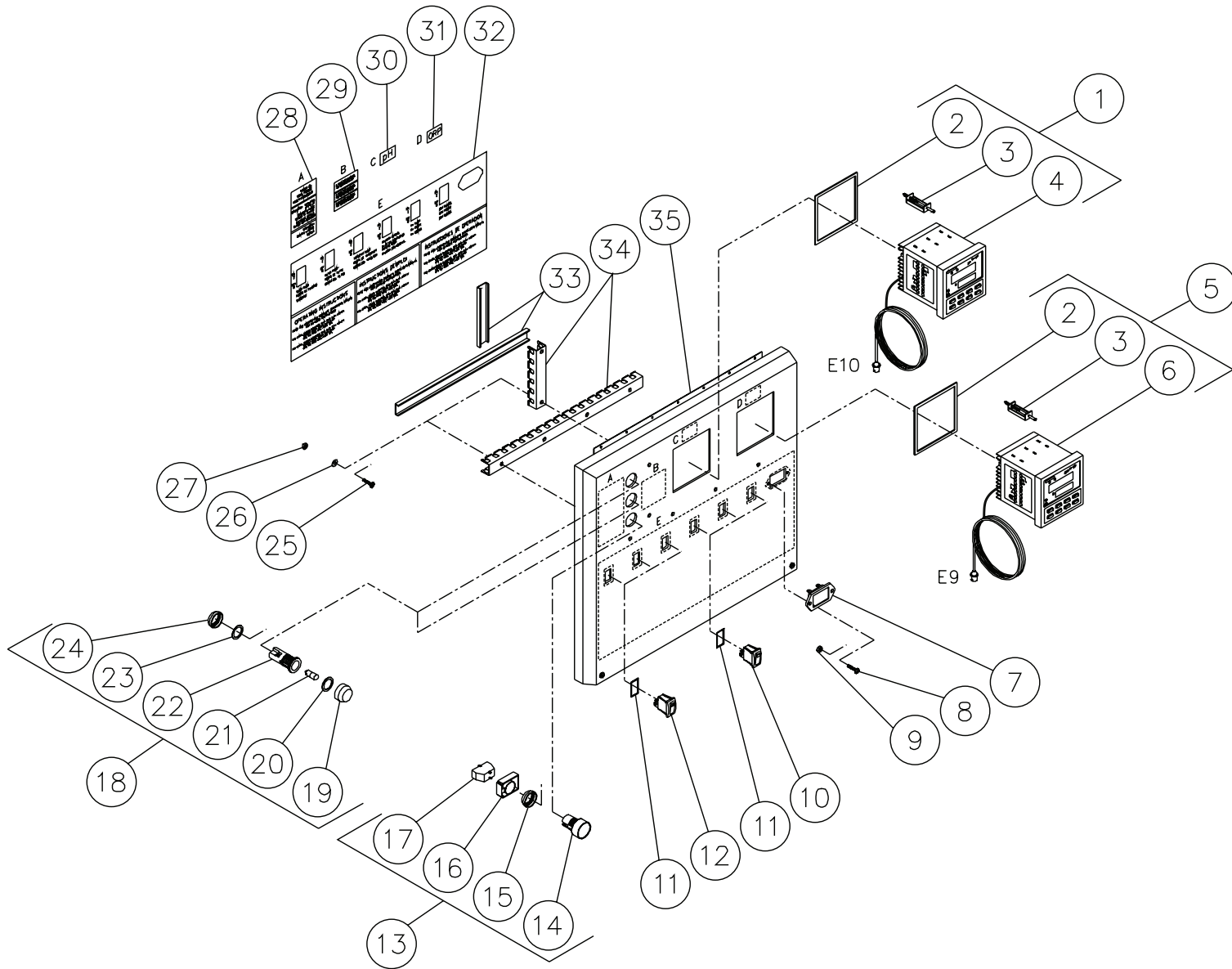
# OZONE GENERATOR (32-0715)



32-0715 120202-KS

OZONE GENERATOR (32-0715)							
REF. #	DESCRIPTION	PART#	QTY.	REF. #	DESCRIPTION	PART#	QTY.
1	Decal- Warning: Risk of Electrocution (See 34-9010)	N/A Sep.	1	16	Generator Assembly	32-0637	1
2	Cord *(Fifteen Feet Required)	32-0074	1	17	Hose *(Five Feet Required)	15-0021	1
3	Strain Relief	32-0437	1	18	Hose *(One Foot Required)	15-0226	1
4	Locknut	32-0108	1	19	Check Valve	22-0286	1
5	Electrical Box w/Holes (Inc. 4 of 27-8933)	32-0712	1	20	Hose *(Four Feet Required)	15-0226	1
6	Decal- On/Off (See 34-9010)	N/A Sep.	1	21	Clamp	42-0040	2
7	Switch/Breaker/Light	32-0713	1	22	Screw	27-5016	2
8	Nut	30-5202	2	23	Screw	27-8933	4
9	Electrical Plate	32-0719	1	-	Terminal	32-0221	3
10	Screw	27-3262	4	-	Crimped Wire Splice	32-0359	3
11	Ozone Transformer	32-0709	1	-	Terminal	32-0564	2
12	Transformer Control	32-0636	1	-	Wire- Black *(One Foot Required)	32-0256	2
13	Self Drill Screw	27-3063	2		Complete Ozone Generator (Inc. 1-23)	32-0715	
14	Insulator *(One Foot Required)	32-0722	2		Safety Decal Kit (Inc. 1, 6)	34-9010	
15	Generator Tube	32-0720	1	*Must Order in One Foot Lengths			

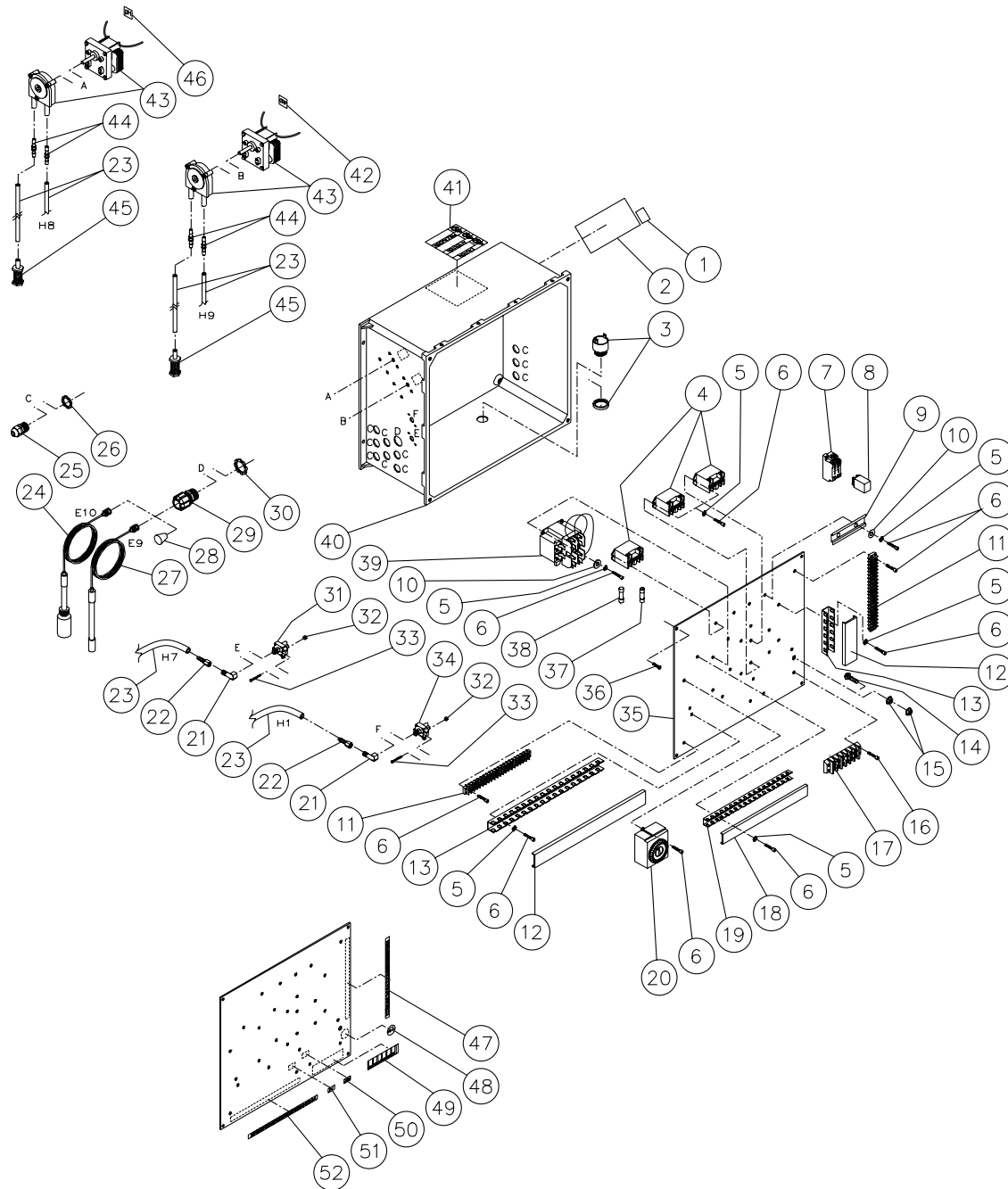
# CONTROL PANEL - LID



WLP-0018-031899-JJ

CONTROL PANEL- LID							
REF. #	DESCRIPTION	PART#	QTY.	REF. #	DESCRIPTION	PART#	QTY.
1	PH Meter/ Controller- Complete (Includes 2-4)	32-0537	1	19	Lens (Must Order 32-0535)	N/A Sep.	1
2	Gasket w/ Meter (Must Order 32-0537)	N/A Sep.	2	20	Gasket (Must Order 32-0535)	N/A Sep.	1
3	Tightener w/ Meter (Must Order 32-0537)	N/A Sep.	2	21	Bulb	32-0628	1
4	PH Meter/ Controller (Must Order 32-0537)	N/A Sep.	1	22	Body (Must Order 32-0535)	N/A Sep.	1
5	ORPMeter/ Controller- Complete (Inc. 2, 3, 6)	32-0539	1	23	Gasket (Must Order 32-0535)	N/A Sep.	1
6	ORPMeter/ Controller (Must Order 32-0539)	N/A Sep.	1	24	Retainer Ring (Must Order 32-0535)	N/A Sep.	1
7	Hourmeter	32-0431	1	25	Screw	27-8927	6
8	Bolt	27-8928	2	26	Lockwasher	28-1009	6
9	Locknut	30-8151	2	27	Locknut	30-8152	6
10	Switch- 240V	32-0552	3	28	Decal- Backwash Controls	34-0880	1
11	Switch Gasket	32-0553	6	29	Decal- Backwash Instructions	34-0881	1
12	Switch- 24V	32-0551	3	30	Decal- PH	34-0871	1
13	Push Button Switch- Complete (Inc. 14-17)	32-0534	1	31	Decal- ORP	34-0872	1
14	Push Button (Must Order 32-0534)	N/A Sep.	1	32	Decal- Control Panel Switches	34-0890	1
15	Retainer Ring (Must Order 32-0534)	N/A Sep.	1	33	Conduit Lid *(Two Feet Required)	32-0318	1
16	Body (Must Order 32-0534)	N/A Sep.	1	34	Conduit Track *(Two Feet Required)	32-0555	1
17	Switch (Must Order 32-0534)	N/A Sep.	1	35	Electrical Box	32-0543	1
18	Indicator Light Panel- Complete (Inc. 19-24)	32-0535	2	*Must Order in One Foot Lengths			

# CONTROL PANEL - BASE

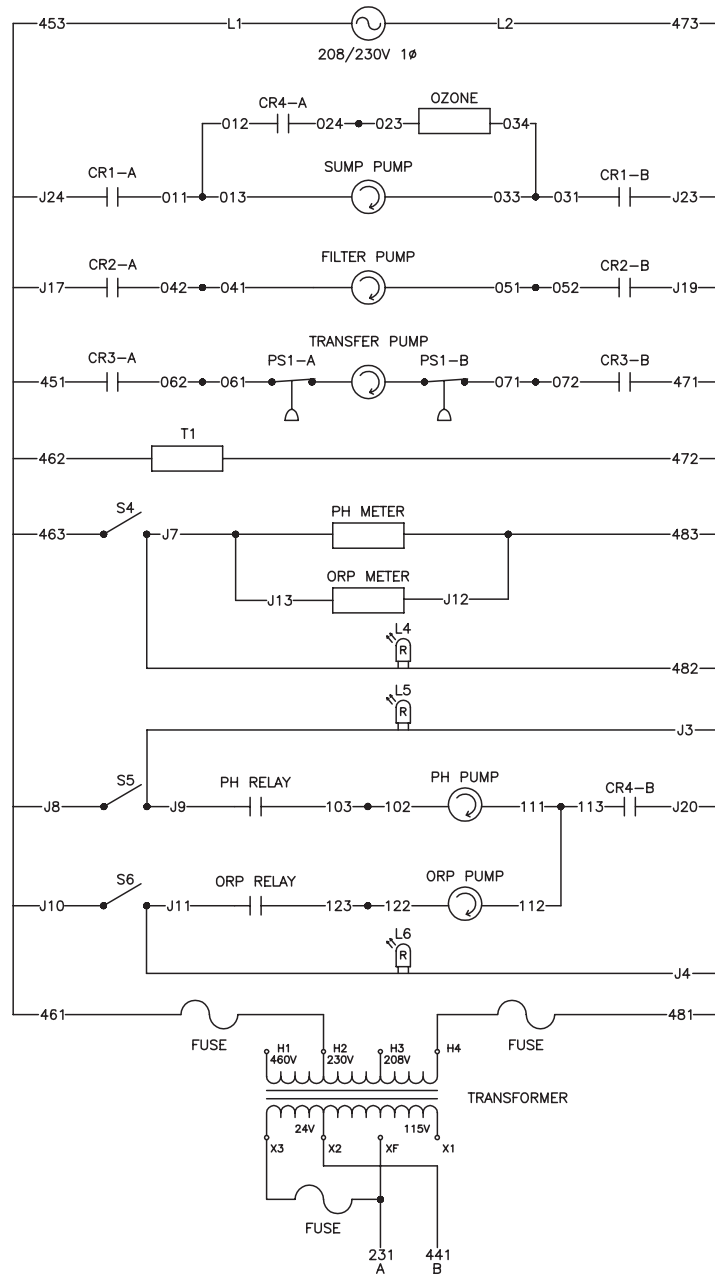


## CONTROL PANEL- BASE

REF. #	DESCRIPTION	PART#	QTY.	REF. #	DESCRIPTION	PART#	QTY.	REF. #	DESCRIPTION	PART#	QTY.
1	Decal- USA Flag	34-0521	1	19	Conduit Track *(One Feet Required)	32-0557	1	37	Fuse- Primary	32-0467	2
2	Decal- Warning: Risk of Electrocution	34-0884	1	20	Timer	32-0544	1	38	Fuse- Secondary	32-0323	1
3	Alarm	32-0560	1	21	Elbow	23-0118	2	39	Transformer	32-0313	1
4	Relay	32-0549	3	22	Adapter	23-0367	2	40	Electrical Box	32-0543	1
5	Lockwasher	28-1009	16	23	Hose *(Fifty Feet Required)	15-0021	1	41	Decal- Warning: Nonpotable Water	34-0868	1
6	Screw	27-8835	26	24	PH Probe	32-0538	1	42	Decal- ORP	34-0872	1
7	Relay Socket	32-0548	1	25	Strain Relief	32-0437	10	43	Pump	3-0182	2
8	Relay	32-0547	1	26	Locknut	32-0108	10	44	Connector	55-0022	4
9	Din Rail *(One Foot Required)	32-0316	1	27	ORP Probe	32-0540	1	45	Strainer	19-0056	2
10	Washer	28-0010	4	28	Plug	32-0559	1	46	Decal- PH	34-0871	1
11	Terminal Strip	32-0463	2	29	Strain Relief	9-0046	1	47	Decal- Terminal Strip 1-22	34-0867	1
12	Conduit Lid *(Two Feet Required)	32-0318	1	30	Locknut	32-0292	1	48	Decal- Ground	34-0889	1
13	Conduit Track *(Two Feet Required)	32-0555	1	31	Pressure Switch	32-0542	1	49	Decal- Terminal Strip 45-50	34-0888	1
14	Bolt	27-8898	1	32	Locknut	30-8151	4	50	Decal- 230V	34-0895	1
15	Nut	30-3022	2	33	Bolt	27-8928	4	51	Decal- 24V	34-0894	1
16	Screw	27-8930	2	34	Pressure Switch	32-0541	1	52	Decal- Terminal Strip 23-44	34-0886	1
17	Terminal Block	32-0536	1	35	Electrical Plate	20-0484A14	1	*Must Order in One Foot Lengths			
18	Conduit Lid *(One Feet Required)	32-0558	1	36	Screw	27-8933	4				

# ELECTRICAL SCHEMATIC - 230 VOLT

230V 1Ø LADDER DIAGRAM



LEGEND:

- CR1 = CONTROL RELAY, SUMP PUMP
- CR2 = CONTROL RELAY, FILTER PUMP
- CR3 = CONTROL RELAY, TRANSFER PUMP
- CR4 = CONTROL RELAY, CHEMICAL PUMPS
- S1 = SWITCH, SUMP PUMP
- S2 = SWITCH, FILTER PUMP
- S3 = SWITCH, TRANSFER PUMP
- S4 = SWITCH, PH/ORP METERS
- S5 = SWITCH, PH PUMP
- S6 = SWITCH, ORP PUMP
- L1 = LIGHT FOR S1
- L2 = LIGHT FOR S2
- L3 = LIGHT FOR S3
- L4 = LIGHT FOR S4
- L5 = LIGHT FOR S5
- L6 = LIGHT FOR S6
- L7 = POWER ON
- L8 = BACKWASH INDICATOR
- PS1 = PRESSURE SWITCH, 30-50 PSI, TRANSFER PUMP
- PS2 = PRESSURE SWITCH, 2 PSI, CHEMICAL PUMPS
- PS3 = PRESSURE SWITCH, 20 PSI, BACKWASH
- F1 = FLOAT SWITCH, N.O. BLUE, PIT
- F2 = FLOAT SWITCH, N.O. BLUE, FILTER TANK
- F3 = FLOAT SWITCH, N.C. RED, PRODUCT TANK
- F4 = FLOAT SWITCH, N.O. BLUE, PRODUCT TANK
- F5 = FLOAT SWITCH, N.C. RED, PIT
- F6 = FLOAT SWITCH, N.O./N.C. GREEN, PIT
- F7 = FLOAT SWITCH, N.C. FINGER, SHUT OFF
- SV1 = SOLENOID VALVE, FRESHWATER MAKE-UP
- SV2 = SOLENOID VALVE, DISCHARGE
- SV3 = SOLENOID VALVE, TIMER/RECIRCULATE
- T1 = TIMER, RECIRCULATION, TIMED CLOSED
- PB1 = PUSH BUTTON SWITCH, BACKWASH
- H = HOUR METER, SUMP PUMP

LADDER DIAGRAM WLP 8-20-30-40-0M10\_230 V

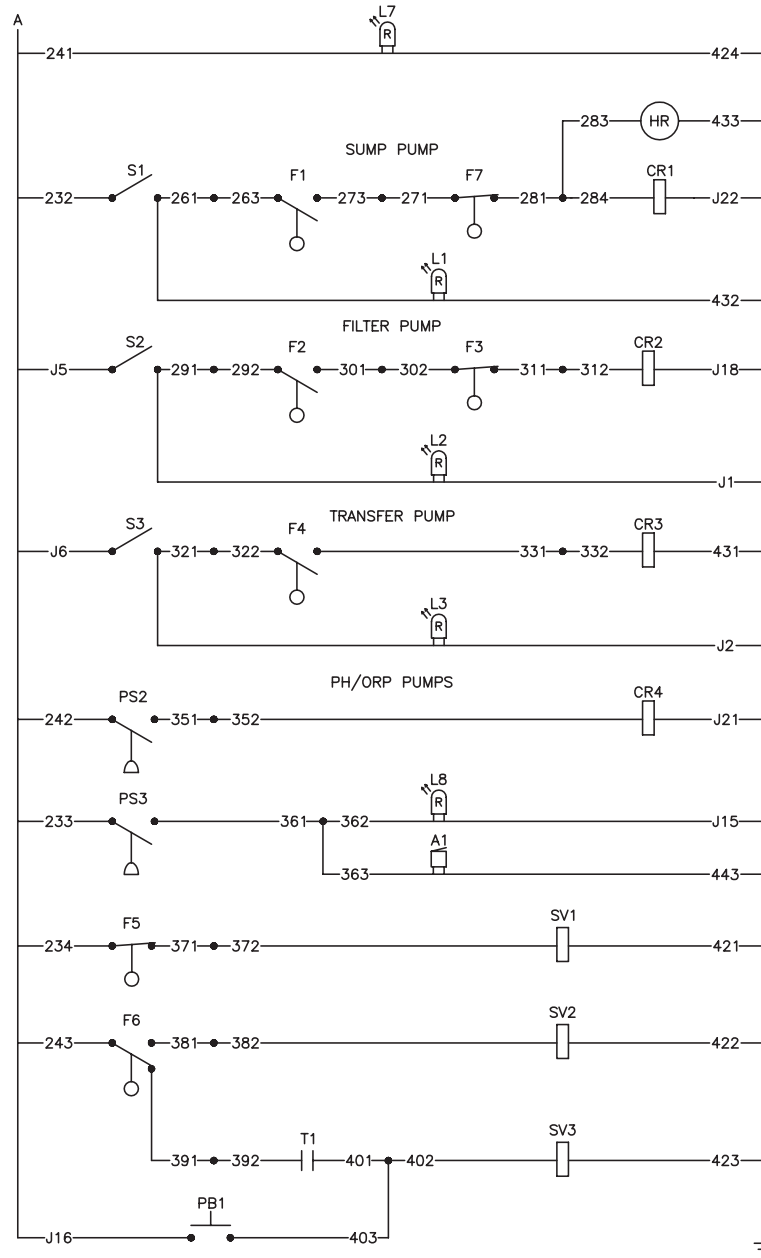


# ELECTRICAL SCHEMATIC - 24 VOLT

24V 1Ø LADDER DIAGRAM

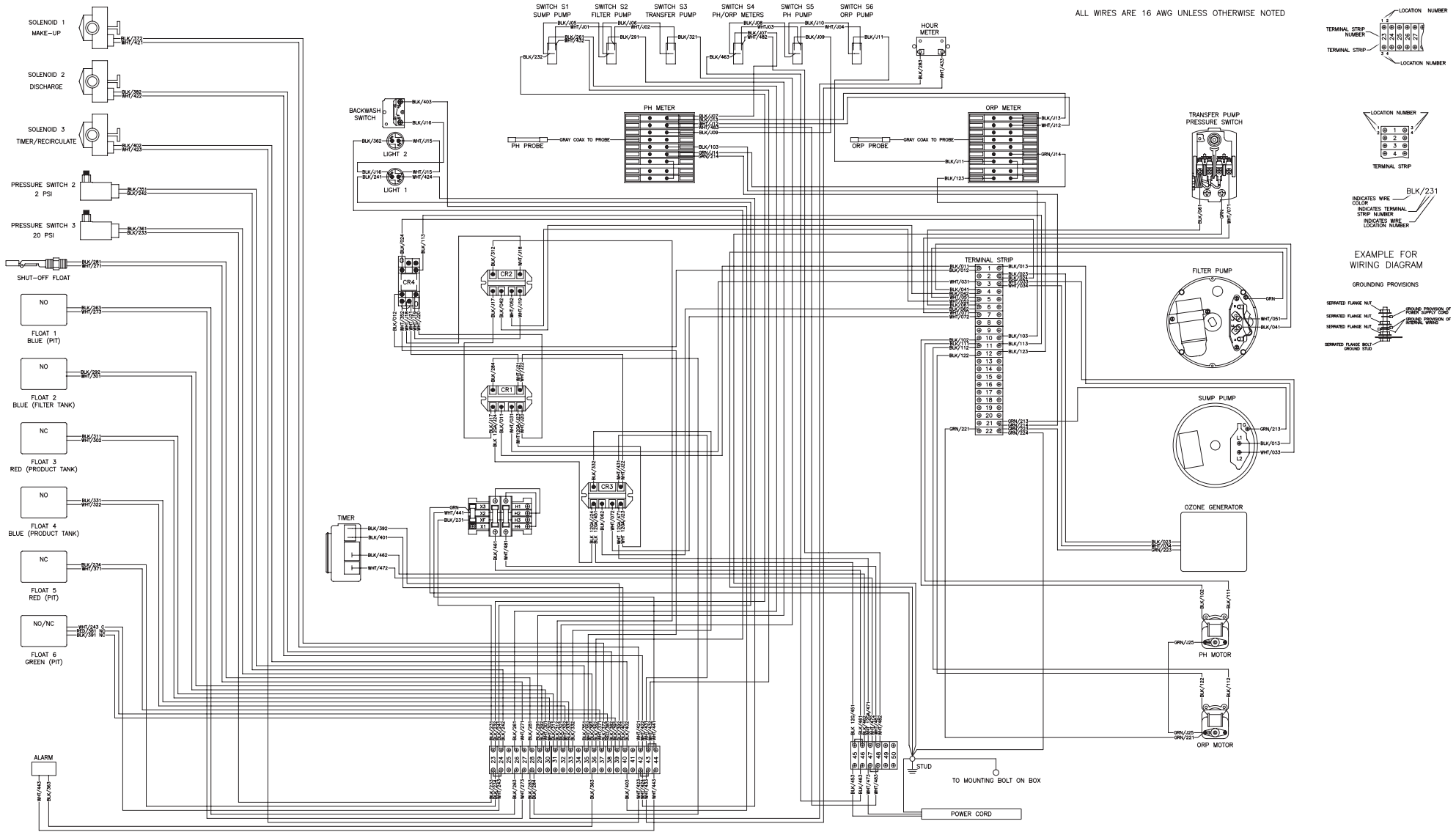
LEGEND:

- CR1 = CONTROL RELAY, SUMP PUMP
- CR2 = CONTROL RELAY, FILTER PUMP
- CR3 = CONTROL RELAY, TRANSFER PUMP
- CR4 = CONTROL RELAY, CHEMICAL PUMPS
- S1 = SWITCH, SUMP PUMP
- S2 = SWITCH, FILTER PUMP
- S3 = SWITCH, TRANSFER PUMP
- S4 = SWITCH, PH/ORP METERS
- S5 = SWITCH, PH PUMP
- S6 = SWITCH, ORP PUMP
- L1 = LIGHT FOR S1
- L2 = LIGHT FOR S2
- L3 = LIGHT FOR S3
- L4 = LIGHT FOR S4
- L5 = LIGHT FOR S5
- L6 = LIGHT FOR S6
- L7 = POWER ON
- L8 = BACKWASH INDICATOR
- PS1 = PRESSURE SWITCH, 30-50 PSI, TRANSFER PUMP
- PS2 = PRESSURE SWITCH, 2 PSI, CHEMICAL PUMPS
- PS3 = PRESSURE SWITCH, 20 PSI, BACKWASH
- F1 = FLOAT SWITCH, N.O. BLUE, PIT
- F2 = FLOAT SWITCH, N.O. BLUE, FILTER TANK
- F3 = FLOAT SWITCH, N.C. RED, PRODUCT TANK
- F4 = FLOAT SWITCH, N.O. BLUE, PRODUCT TANK
- F5 = FLOAT SWITCH, N.C. RED, PIT
- F6 = FLOAT SWITCH, N.O./N.C. GREEN, PIT
- F7 = FLOAT SWITCH, N.C. FINGER, SHUT OFF
- SV1 = SOLENOID VALVE, FRESHWATER MAKE-UP
- SV2 = SOLENOID VALVE, DISCHARGE
- SV3 = SOLENOID VALVE, TIMER/RECIRCULATE
- T1 = TIMER, RECIRCULATION, TIMED CLOSED
- PB1 = PUSH BUTTON SWITCH, BACKWASH
- H = HOUR METER, SUMP PUMP



LADDER DIAGRAM WLP-8-20-30-40-0M10\_24 V

# ELECTRICAL DIAGRAM - BASE





Manufactured by Mi-T-M  
8650 Enterprise Drive, Peosta IA 52068  
563-556-7484/ Fax 563-556-1235