

# Mi-T-M<sup>®</sup> CORPORATION

8650 Enterprise Drive, Peosta IA 52068

563-556-7484 / Fax 563-556-1235

[www.mitm.com](http://www.mitm.com)

**PARTS LIST FOR**

***WLP-40-0M10***

**WATER RECYCLING TREATMENT SYSTEM**

Congratulations on the purchase of your new Mi-T-M water treatment system! This parts listing has been compiled for your benefit. You can be assured your Mi-T-M water treatment system was constructed and designed with quality and performance in mind. Each component has been rigorously tested to insure the highest level of acceptance.

The contents of this parts listing are based on the latest product information available at the time of publication. Mi-T-M reserves the right to make changes in price, color, materials, equipment, specifications or models at any time without notice.

### **WARNING**

THIS IS A PROFESSIONAL WATER TREATMENT SYSTEM. CAUTION SHOULD BE OBSERVED WHEN USING OR REPAIRING THIS UNIT! READ AND FOLLOW THE SAFETY WARNINGS LISTED BELOW BEFORE ATTEMPTING ANY REPAIRS ON THIS WATER TREATMENT SYSTEM!

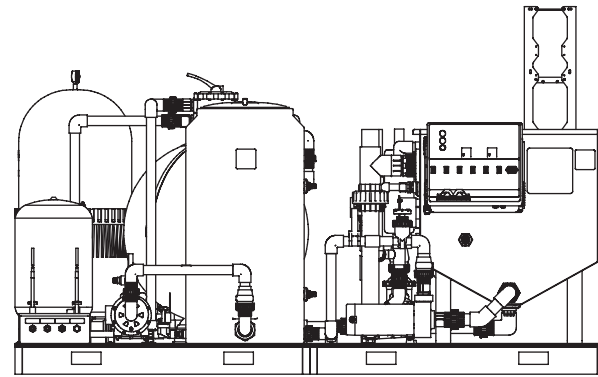
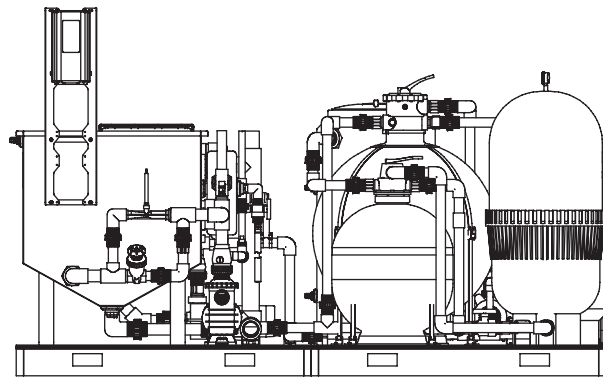
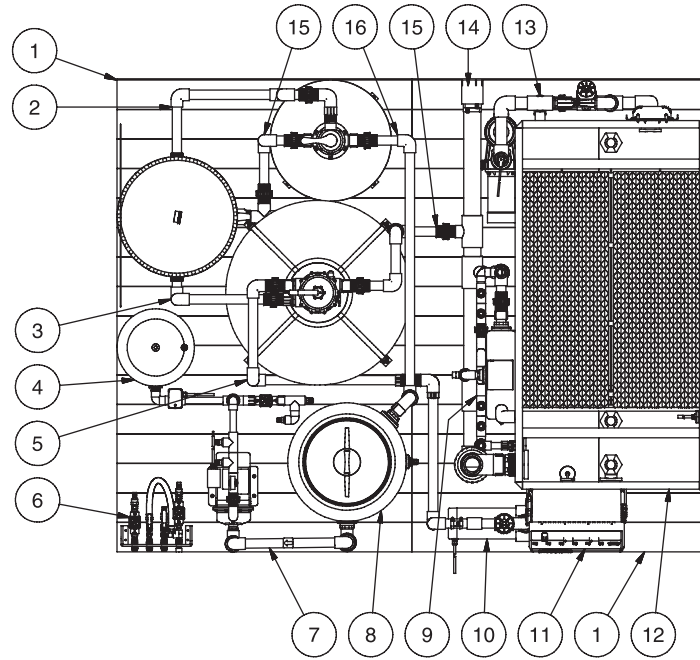
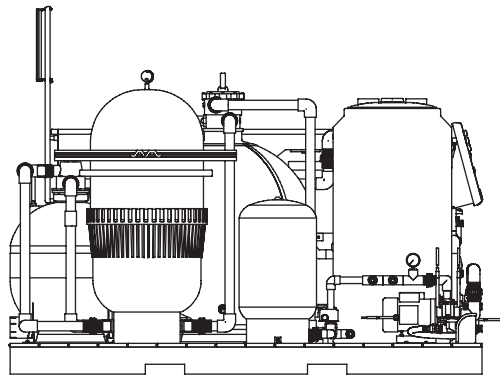
### **SAFETY WARNINGS**

1. Serious injury or death could occur if the water recycling treatment system is not properly grounded. Your water recycling treatment system is powered by electricity and may cause electric shock or electrocution if not installed properly. Installation to this unit, including all electrical connections, must comply with all local, state and national codes. Any electrical wiring or repairs performed on this water treatment system should be done by Authorized Service Personnel in accordance with National and Local electrical codes.
2. NEVER alter or modify the equipment. Use only genuine Mi-T-M parts for repair of your water treatment system. Failure to do so can cause hazardous operating conditions and will VOID warranty.
3. Know how to stop and bleed pressures quickly. Be thoroughly familiar with controls. Do not operate without protective cover/guards. Follow the maintenance instructions specified in your operator's manual.
4. Before servicing, ALWAYS shut off the water and the unit. Allow the unit to cool down. NEVER assume the water treatment system is safe to work on just because it is not operating. It could restart at any time! ALWAYS disconnect from the power source. Service in a clean, dry flat area.
5. Be especially careful it properly dispose of any flammable materials. Consult Materials Safety Data Sheets for safe handling of chemicals used with your system, especially oxidizers and acids.

## Table of Contents

MAIN ASSEMBLY .....	4
INLET PUMP ASSEMBLY .....	6
TANK ASSEMBLY .....	10
FILTER PUMP ASSEMBLY .....	12
FILTER PUMP (3-0187) .....	14
MULTIMEDIA FILTER INLET ASSEMBLY .....	16
PLUMBING: FILTER DRAIN .....	18
CARTRIDGE FILTER INLET .....	20
CARTRIDGE FILTER (19-0602) .....	22
POLISHING FILTER INLET .....	24
POLISHING FILTER (19-0503) .....	25
PLUMBING: POLISHING FILTER TO HOLDING TANK .....	26
PRODUCT TANK ASSEMBLY .....	28
TRANSFER PUMP ASSEMBLY .....	30
TRANSFER PUMP (3-0218) .....	32
PRESSURE TANK ASSEMBLY .....	34
LOW PROFILE MANIFOLD ASSEMBLY .....	36
PLUMBING: PH & ORP SENSOR .....	38
PLUMBING: MAIN DRAIN LINE .....	40
OIL DECANter ASSEMBLY .....	42
OIL DECANter INLET .....	43
PH/ORP PUMP (3-0182) .....	44
CONTROL PANEL ASSEMBLY .....	46
CONTROL PANEL PLATE ASSEMBLY .....	48
ELECTRICAL SCHEMATIC .....	50
ELECTRICAL DIAGRAM .....	51

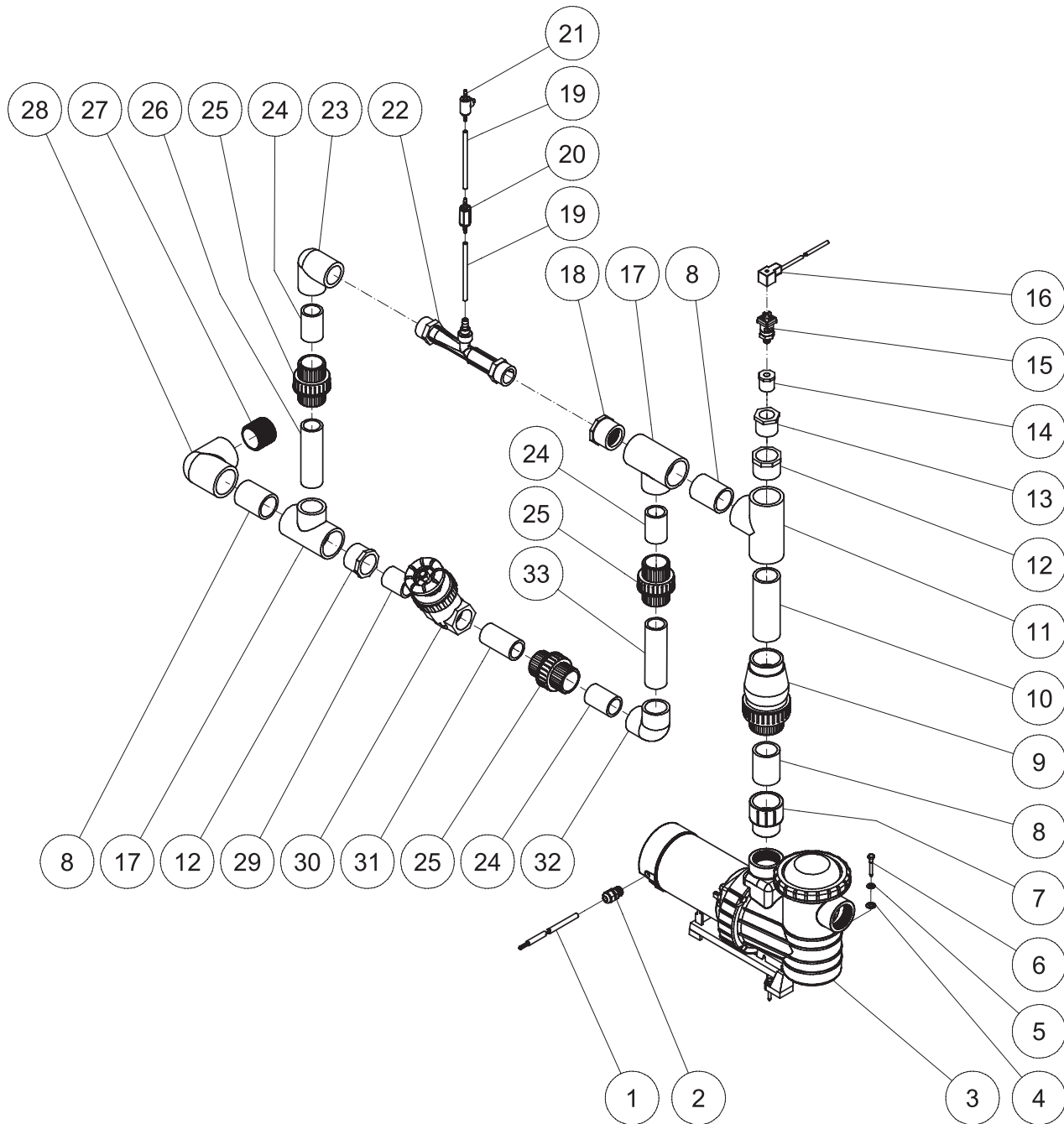
# MAIN ASSEMBLY



WLP-40-0M10-092005-ASY

MAIN ASSEMBLY							
REF. #	DESCRIPTION	PART#	QTY.	REF. #	DESCRIPTION	PART#	QTY.
1	Pallet	35-0034	2	9	Plumbing: PH & ORP Sensor (See Exploded Drawing)	N/A Sep.	1
2	Polishing Filter Inlet (See Exploded Drawing)	N/A Sep.	1	10	Filter Pump Assembly (See Exploded Drawing)	N/A Sep.	1
3	Cartridge Filter Inlet (See Exploded Drawing)	N/A Sep.	1	11	Control Panel Assembly (See Exploded Drawing)	N/A Sep.	1
4	Pressure Tank Assembly (See Exploded Drawing)	N/A Sep.	1	12	Tank Assembly (See Exploded Drawing)	N/A Sep.	1
5	Multimedia Filter Inlet (See Exploded Drawing)	N/A Sep.	1	13	Inlet Pump Assembly (See Exploded Drawing)	N/A Sep.	1
6	Low Profile Manifold Assembly (See Exploded Drawing)	N/A Sep.	1	14	Plumbing: Main Drain Line (See Exploded Drawing)	N/A Sep.	1
7	Transfer Pump Assembly (See Exploded Drawing)	N/A Sep.	1	15	Plumbing: Filter Drain (See Exploded Drawing)	N/A Sep.	1
8	Holding Tank Assembly (See Exploded Drawing)	N/A Sep.	1	16	Plumbing: Polishing Filter to Holding Tank (See Exploded Drawing)	N/A Sep.	1

# INLET PUMP ASSEMBLY

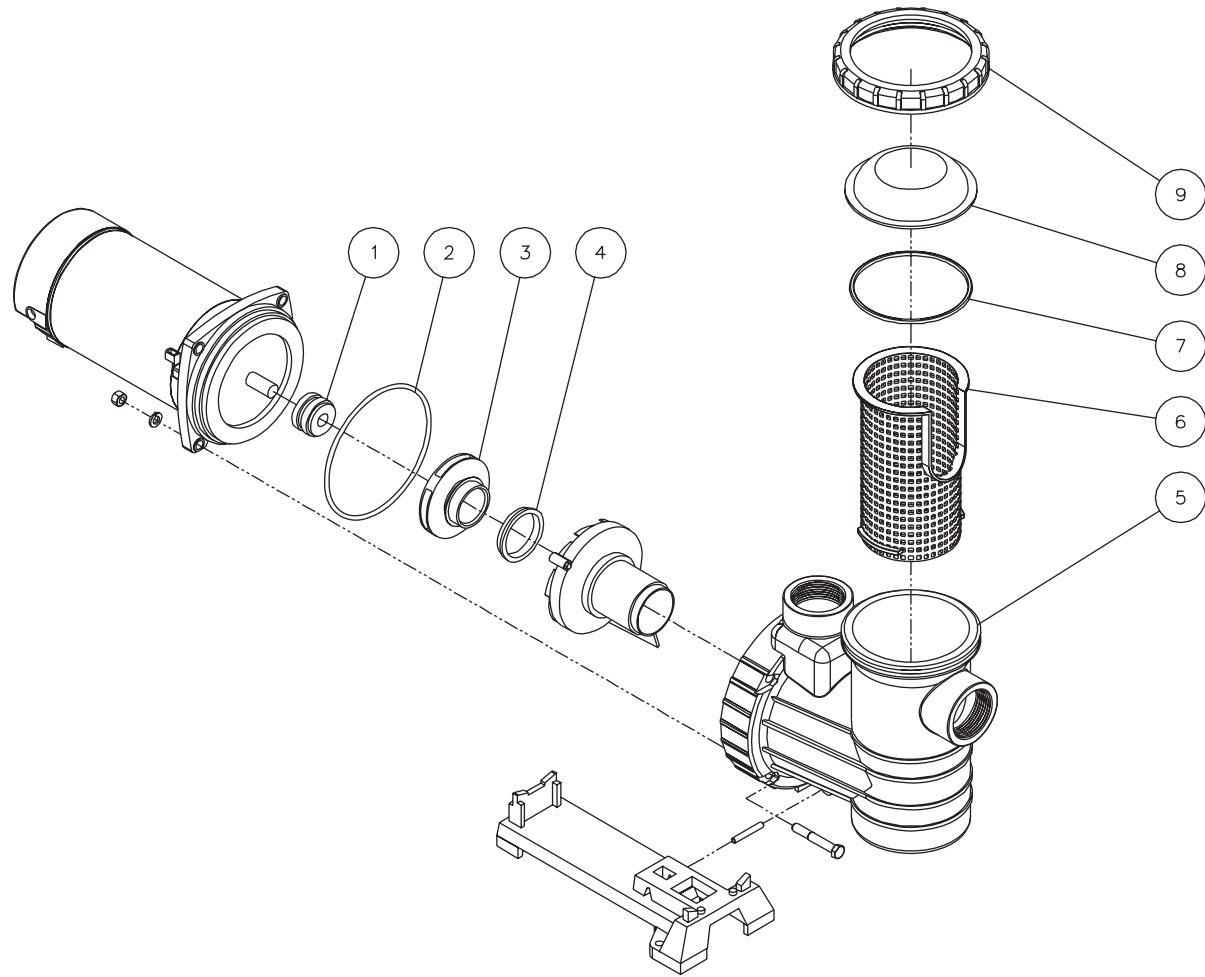


INLET PUMP ASSEMBLY-042007-PJH

## INLET PUMP ASSEMBLY-042007-PJH

INLET PUMP ASSEMBLY							
REF. #	DESCRIPTION	PART#	QTY.	REF. #	DESCRIPTION	PART#	QTY.
1	Cord *(Ten Feet Required)	32-0074	1	18	Reducer Bushing	55-1828	1
2	Strain Relief	32-0437	1	19	Hose *(5 Feet Required)	15-0226	1
3	Pump	3-0214	1	20	Check Valve	22-0286	1
4	Washer	28-0123	2	21	2 Way Ball Valve	22-0074	1
5	Washer	28-0122	2	22	Mazzei Injector	55-0033	1
6	Lag Bolt	27-5275	1	23	Elbow	55-1610	1
7	Male Adapter	55-1822	1	24	Pipe *(1-1/2" x 2-3/4")	55-1600	3
8	Pipe *(2" x 3")	55-1800	3	25	Union (Inc. O-ring 25-0448)	55-1645	3
9	Ball Check Valve	55-1852	1	-	O-ring	25-0448	3
10	Pipe *(1-1/2" x 6-1/4")	55-1600	1	26	Pipe *(1-1/2" x 6")	55-1600	1
11	Tee	55-1801	1	27	Nipple	55-1874	1
12	Reducer Bushing	55-1823	2	28	Elbow	55-1810	1
13	Reducer Bushing	55-1624	1	29	Pipe *(1-1/2" x 2-3/8")	55-1600	1
14	Reducer Bushing	55-1231	1	30	Gate Valve	55-1671	1
15	Pressure Switch	22-0381	1	31	Pipe *(1-1/2" x 3-5/8")	55-1600	1
16	Cordset Din	32-0786	1	32	Elbow	55-1609	1
17	Tee	55-1802	2	33	Pipe *(2" x 6-1/4")	55-1800	1
*(Must Order in One Foot Lengths)							

# INLET PUMP (3-0214)

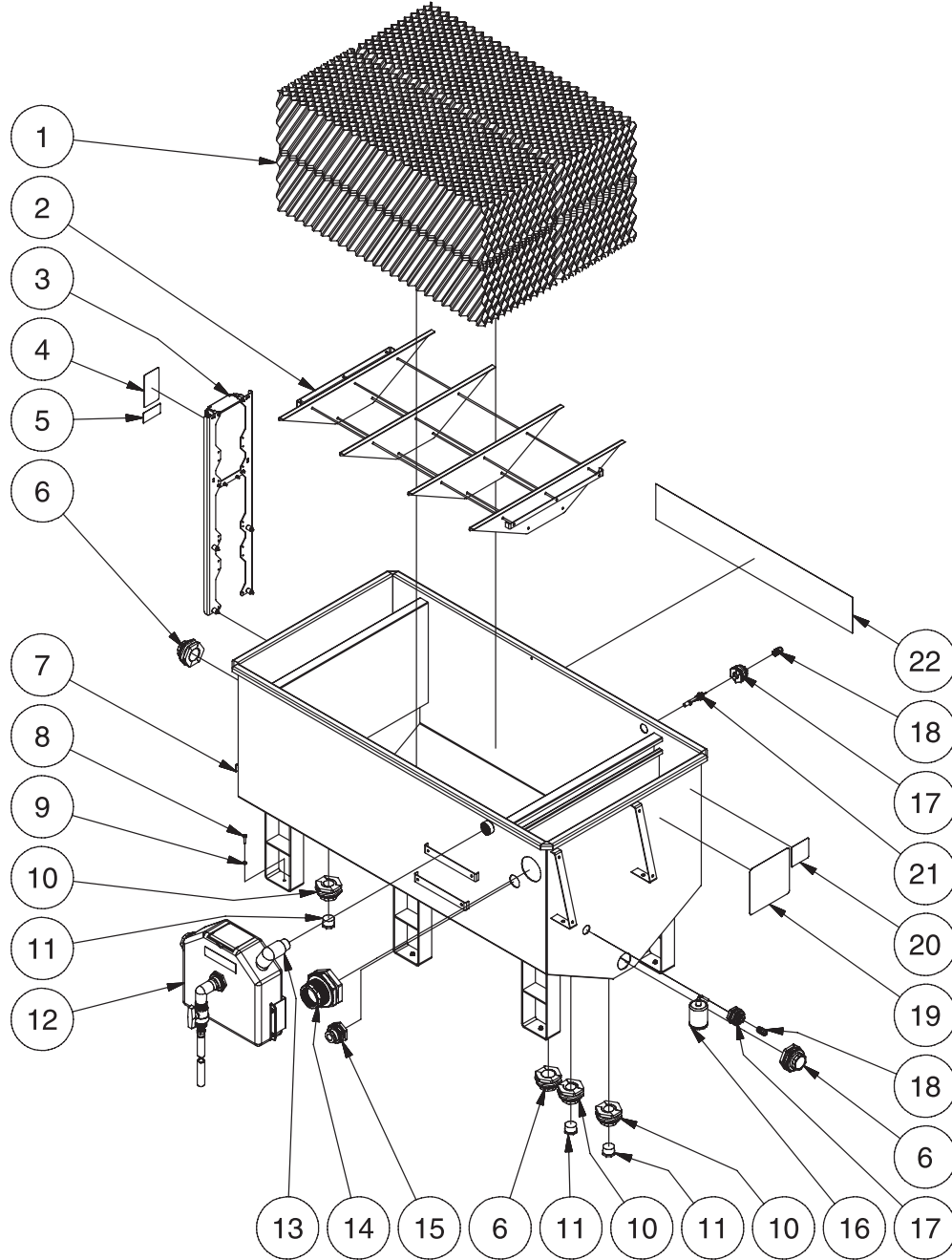




3-0214-062501-KS

SUMP PUMP (3-0214)			
REF. #	DESCRIPTION	PART #	QTY.
1	Mechanical Seal	26-0215	1
2	O-ring	25-0522	1
3	Impeller	46-1030	1
4	Eye Seal	26-0217	1
5	Case w/Plugs	46-1029	1
6	Strainer Basket	46-1028	1
7	O-ring	25-0521	1
8	Strainer Cover	46-1027	1
9	Strainer Ringlok	46-1026	1
	Complete Sump Pump	3-0214	

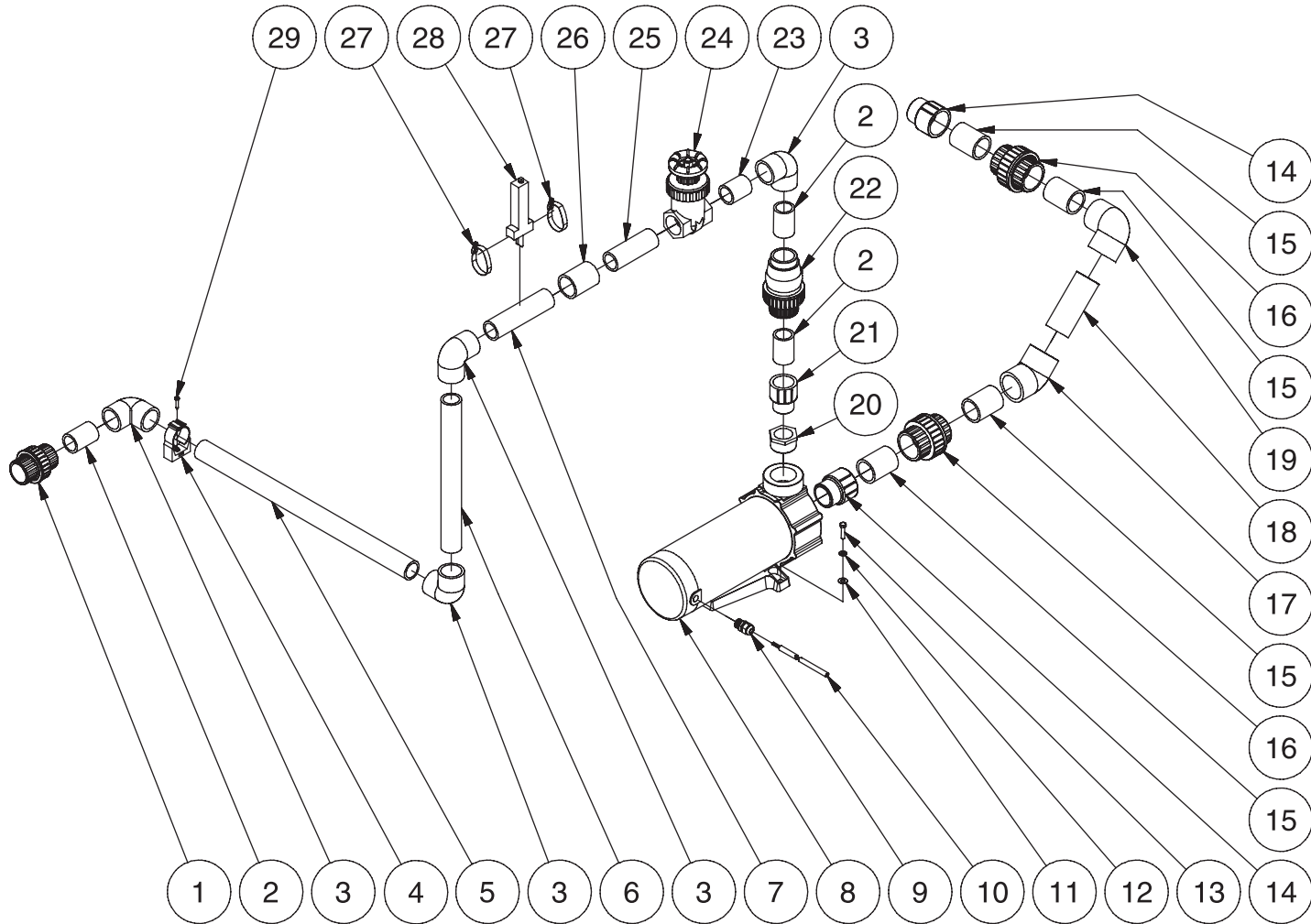
# TANK ASSEMBLY



TANK ASSEMBLY-092005-ASY

TANK ASSEMBLY							
REF. #	DESCRIPTION	PART#	QTY.	REF. #	DESCRIPTION	PART#	QTY.
1	Media	33-0308	2	13	Oil Decanter Inlet (See Exploded Drawing)	N/A Sep.	1
2	Baffle Pack	21-0119	1	14	Bulkhead Fitting	55-2286	1
3	Ozone Generator Mounting (See Exploded Drawing)	N/A Sep.	1	15	Bulkhead Fitting (Inc. O-ring 25-0482)	55-1286	1
4	Decal- Warning: Risk of Electrocution (See 34-9010)	N/A Sep.	1	-	O-ring	25-0482	1
5	Decal- Data Plate	N/A	1	16	Float w/Cord	32-0527	1
6	Bulkhead Fitting (Inc. O-ring 25-0481)	55-1886	3	17	Bulkhead Fitting (Inc. O-ring 25-0506)	55-0886	1
-	O-ring	25-0481	3	-	O-ring	25-0506	1
7	Tank Weldment	12-0082	1	18	Strain Relief	32-0437	2
8	Lag Bolt	27-5276	6	19	Decal- Warning: Risk of Electrocution (See 34-9010)	N/A Sep.	1
9	Washer	28-0122	6	20	Decal- Caution: Non-Potable Water (See 34-9010)	N/A Sep.	1
10	Bulkhead Fitting (Inc. O-ring 25-0481)	55-1686	3	21	Liquid Level Switch	32-0533	1
-	O-ring	25-0481	3	22	Decal- Stripe w/Logo	34-0347	1
11	Plug	55-1640	3		Decal Set (Inc. 4, 19-20)	34-9010	1
12	Oil Decanter Assembly (See Exploded Drawing)	N/A Sep.	1	*Must Order in One Foot Lengths			

# FILTER PUMP ASSEMBLY

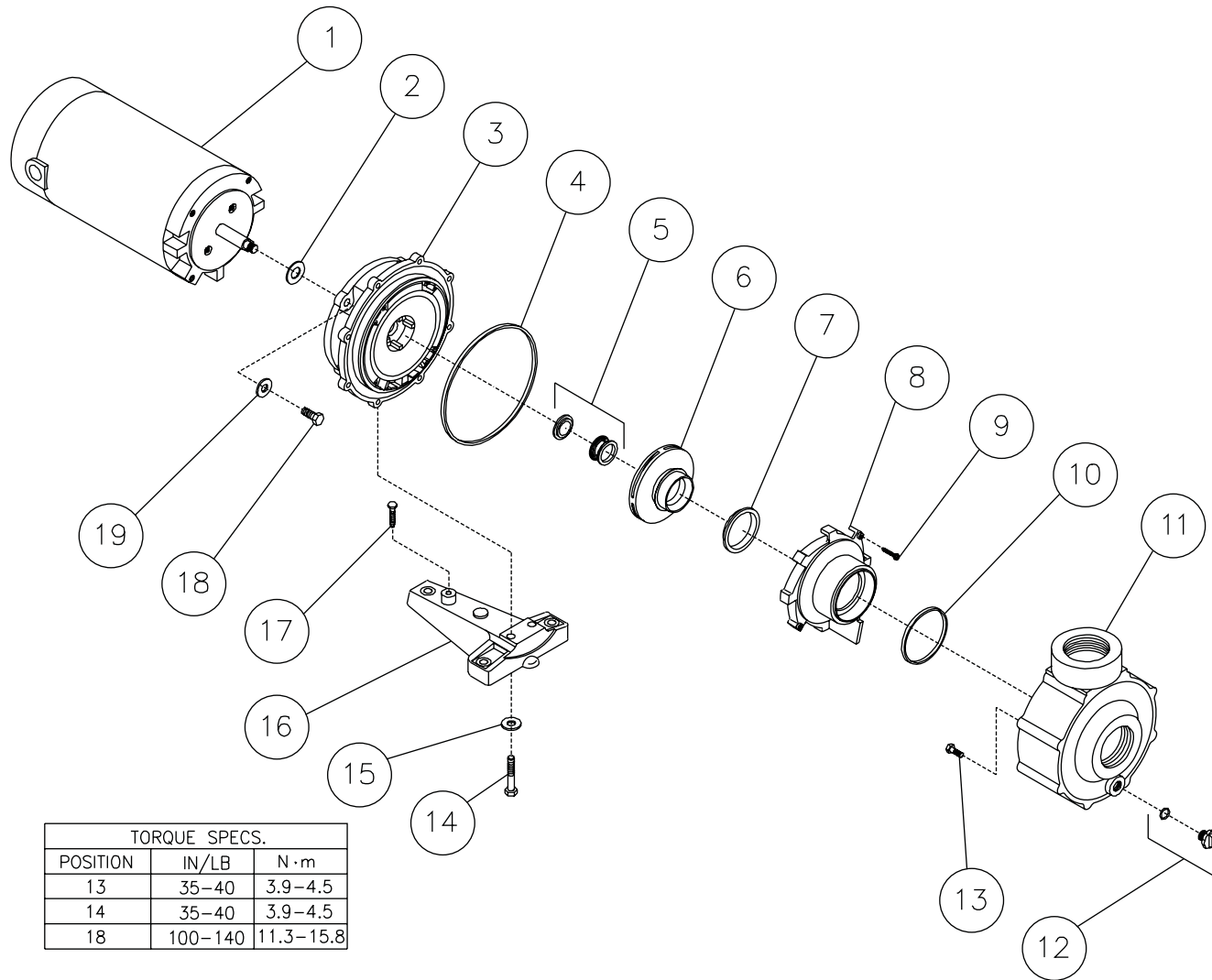


FILTER PUMP ASSEMBLY-090705-ASY

FILTER PUMP ASSEMBLY-090705-ASY

FILTER PUMP ASSEMBLY								
REF. #	DESCRIPTION	PART#	QTY.		REF. #	DESCRIPTION	PART#	QTY.
1	Union (Inc. O-ring 25-0448)	55-1645	1		16	Union (Inc. O-ring 25-0449)	55-1845	2
-	O-ring	25-0448	1		-	O-ring	25-0449	2
2	Pipe *(1-1/2" x 2-3/4")	55-1600	3		17	Elbow	55-1812	1
3	Elbow	55-1609	4		18	Pipe *(2" x 5-5/8")	55-1800	1
4	Clamp	42-0026	1		19	Elbow	55-1809	1
5	Pipe *(1-1/2" x 27")	55-1600	1		20	Reducer Bushing	55-1833	1
6	Pipe *(1-1/2" x 15-5/8")	55-1600	1		21	Male Adapter	55-1622	1
7	Pipe *(1-1/2" x 7-1/4")	55-1685	1		22	Ball Check Valve	55-1652	1
8	Filter Pump	3-0187	1		23	Pipe *(1-1/2" x 2-3/8")	55-1600	1
9	Strain Relief	32-0437	1		24	Gate Valve	55-1671	1
10	Cord *(Five Feet Required)	32-0074	1		25	Pipe *(1-1/2" x 5-1/4")	55-1600	1
11	Washer	28-0123	2		26	Coupler	55-1614	1
12	Washer	28-0122	2		27	Worm Clamp	42-0027	2
13	Lag Bolt	27-5276	2		28	Flowmeter	55-0034	1
14	Male Adapter	55-1822	2		29	Tap Screw	27-5278	1
15	Pipe *(2" x 3")	55-1800	4		*Must Order in One Foot Lengths			

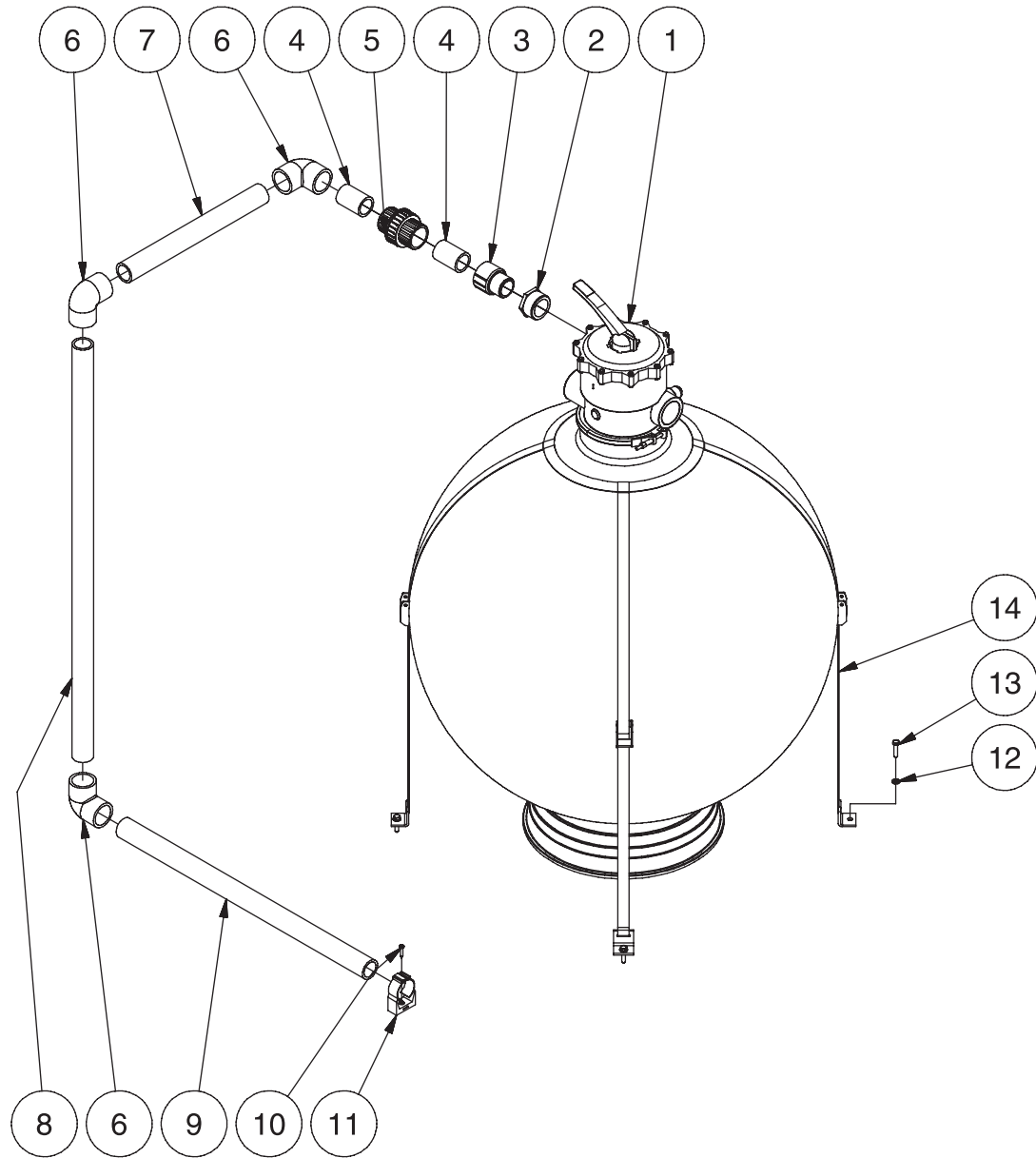
# FILTER PUMP (3-0187)



3-0187-041499-JJ

FILTER PUMP (3-0187)							
REF. #	DESCRIPTION	PART#	QTY.	REF. #	DESCRIPTION	PART#	QTY.
1	Motor- 1 1/2 HP (See 3-0187)	N/A Sep.	1	12	Plug Assembly	39-0110	1
2	Rubber Washer (See 3-0187)	N/A Sep.	1	13	Bolt	27-5016	8
3	Bracket	46-0839	1	14	Bolt (See 70-0252)	N/A Sep.	2
4	Square Ring (Large)	26-0299	1	15	Washer (See 70-0252)	N/A Sep.	2
5	Mechanical Seal	26-0216	1	16	Base Assembly	5-0145	1
6	Impeller (See 70-0256)	N/A Sep.	1	17	Bolt (See 70-0252)	N/A Sep.	1
7	Eye Seal	26-0218	1	18	Bolt	27-8939	4
8	Diffuser	70-0254	1	19	Washer	28-0123	4
9	Bolt	27-8938	2		Fastner Kit (Inc. 14,15,17)	70-0252	
10	Square Ring (Small)	26-0300	1		Impeller Kit (Inc. 6-7)	70-0256	
11	Case Flange Assembly	46-0840	1		Complete Filter Pump (Inc. 1-19)	3-0187	

# MULTIMEDIA FILTER INLET ASSEMBLY



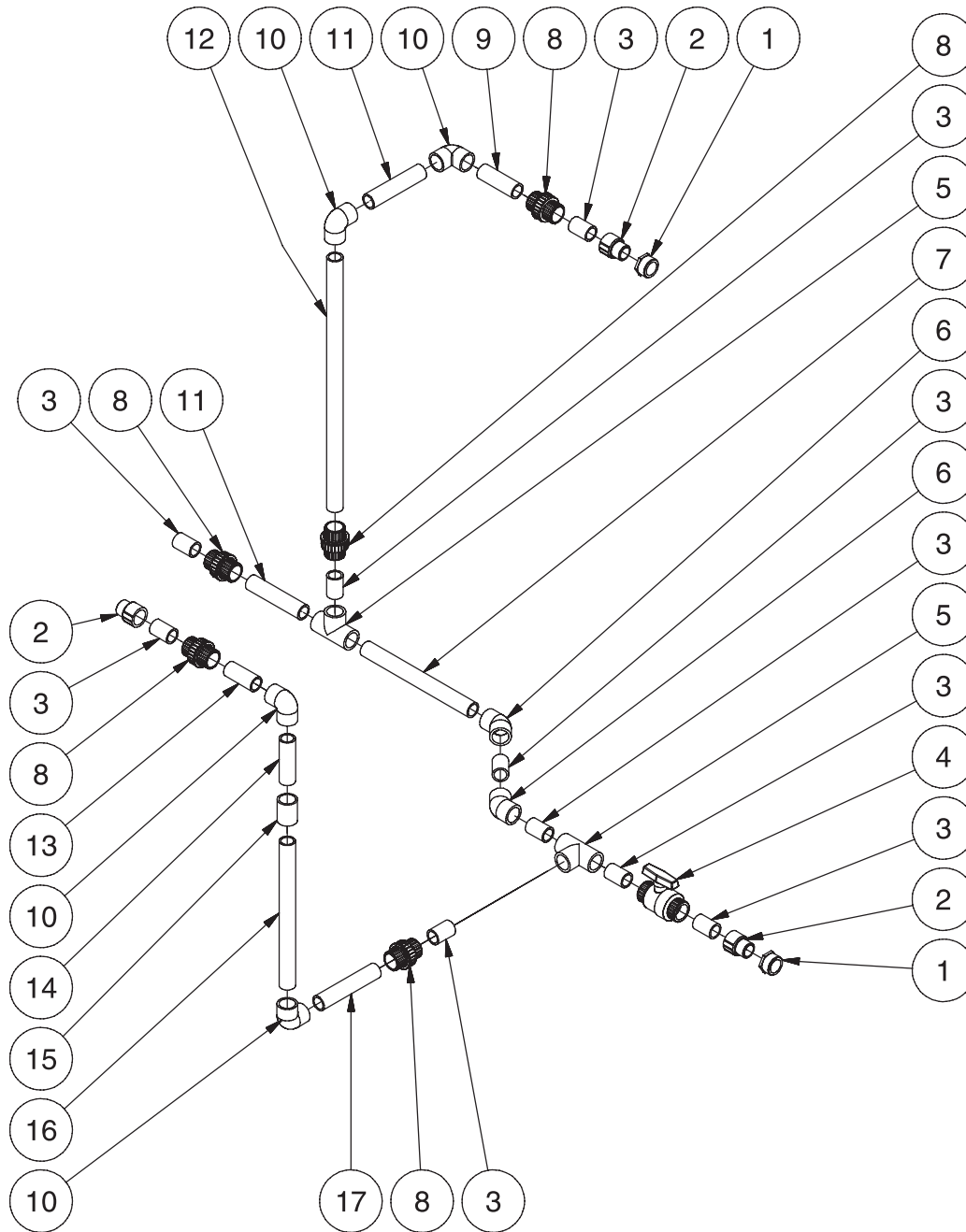
MULTIMEDIA FILTER INLET ASSY-090905-ASY



MULTIMEDIA FILTER INLET-090905-ASY

MULTIMEDIA FILTER INLET ASSEMBLY			
REF. #	DESCRIPTION	PART#	QTY.
1	Media Filter	19-0541	1
2	Reducer Bushing	55-1833	1
3	Male Adapter	55-1622	1
4	Pipe *(1-1/2" x 2-3/4")	55-1600	2
5	Union (Inc. O-ring 25-0448)	55-1645	1
-	O-ring	25-0448	1
6	Elbow	55-1609	3
7	Pipe *(1-1/2" x 17")	55-1600	1
8	Pipe *(1-1/2" x 44-1/4")	55-1600	1
9	Pipe *(1-1/2" x 30-1/2")	55-1600	1
10	Tap Screw	27-5278	1
11	Clamp	42-0026	1
12	Washer	28-0122	4
13	Lag Bolt	27-5276	4
14	Strap Assembly	33-0315	1
	Gravel (100lb Bag)	33-0303	3
	Garnet #12 (100lb Bag)	33-0304	2
	Garnet #50 (100lb Bag)	33-0305	3
	Filter Ag (50lb Bag)	33-0306	2
*Must Order in One Foot Lengths			

# PLUMBING: FILTER DRAIN

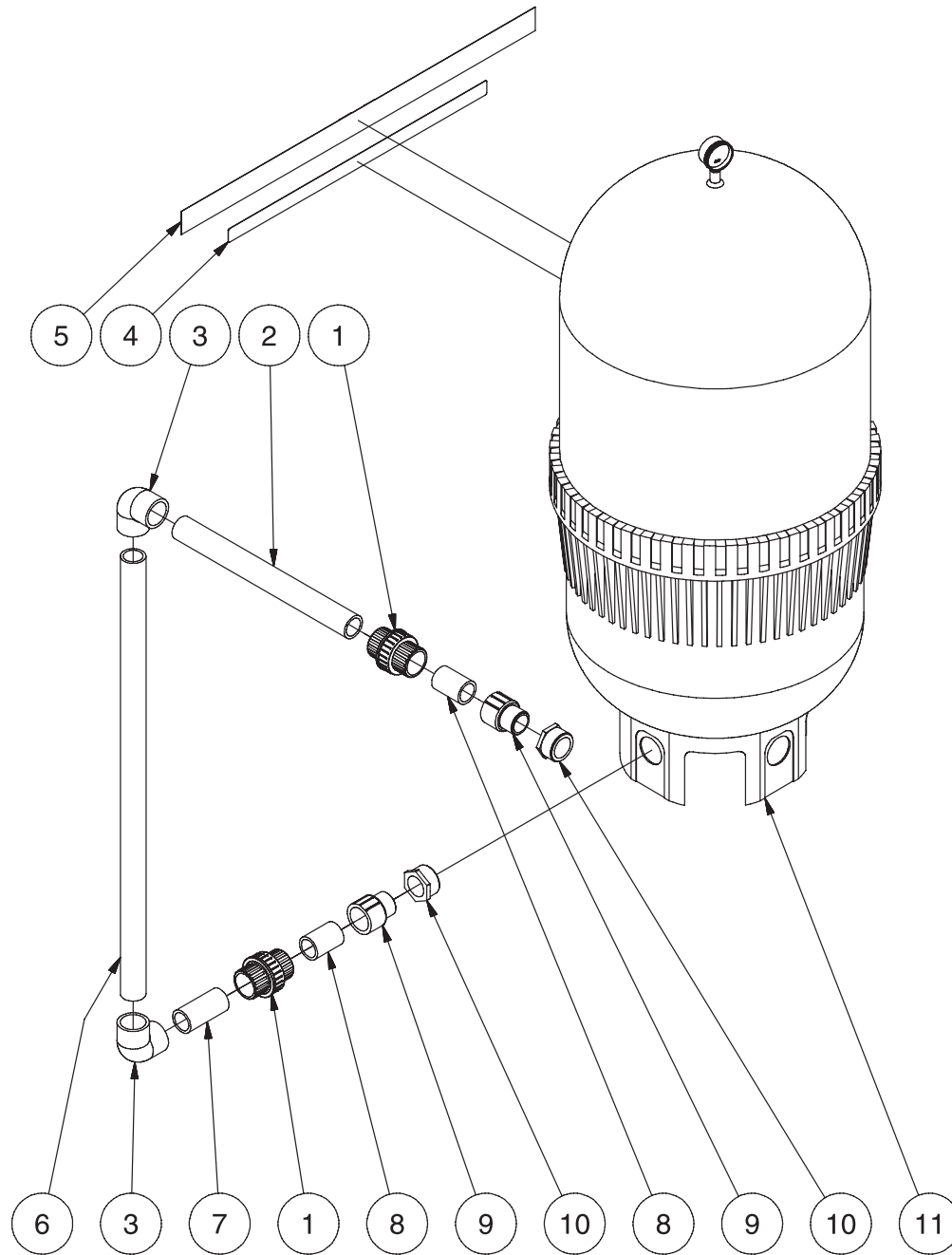


FILTER DRAIN-083105-ASY

FILTER DRAIN-083105-ASY

PLUMBING: FILTER DRAIN			
REF. #	DESCRIPTION	PART#	QTY.
1	Reducer Bushing	55-1833	2
2	Male Adapter	55-1622	3
3	Pipe *(1-1/2" x 2-3/4")	55-1600	9
4	Ball Valve	55-1655	1
5	Tee	55-1601	2
6	Elbow	55-1612	2
7	Pipe *(1-1/2" x 17-3/8")	55-1600	1
8	Union (Inc. O-ring 25-0448)	55-1645	5
-	O-ring	25-0448	5
9	Pipe *(1-1/2" x 5-5/8")	55-1685	1
10	Elbow	55-1609	4
11	Pipe *(1-1/2" x 8-1/2")	55-1600	2
12	Pipe *(1-1/2" x 35-3/8")	55-1600	1
13	Pipe *(1-1/2" x 4-3/8")	55-1600	1
14	Pipe *(1-1/2" x 6")	55-1685	1
15	Coupler	55-1614	1
16	Pipe *(1-1/2" x 20-3/8")	55-1600	1
17	Pipe *(1-1/2" x 9-1/4")	55-1600	1
*Must Order in One Foot Lengths			

# CARTRIDGE FILTER INLET

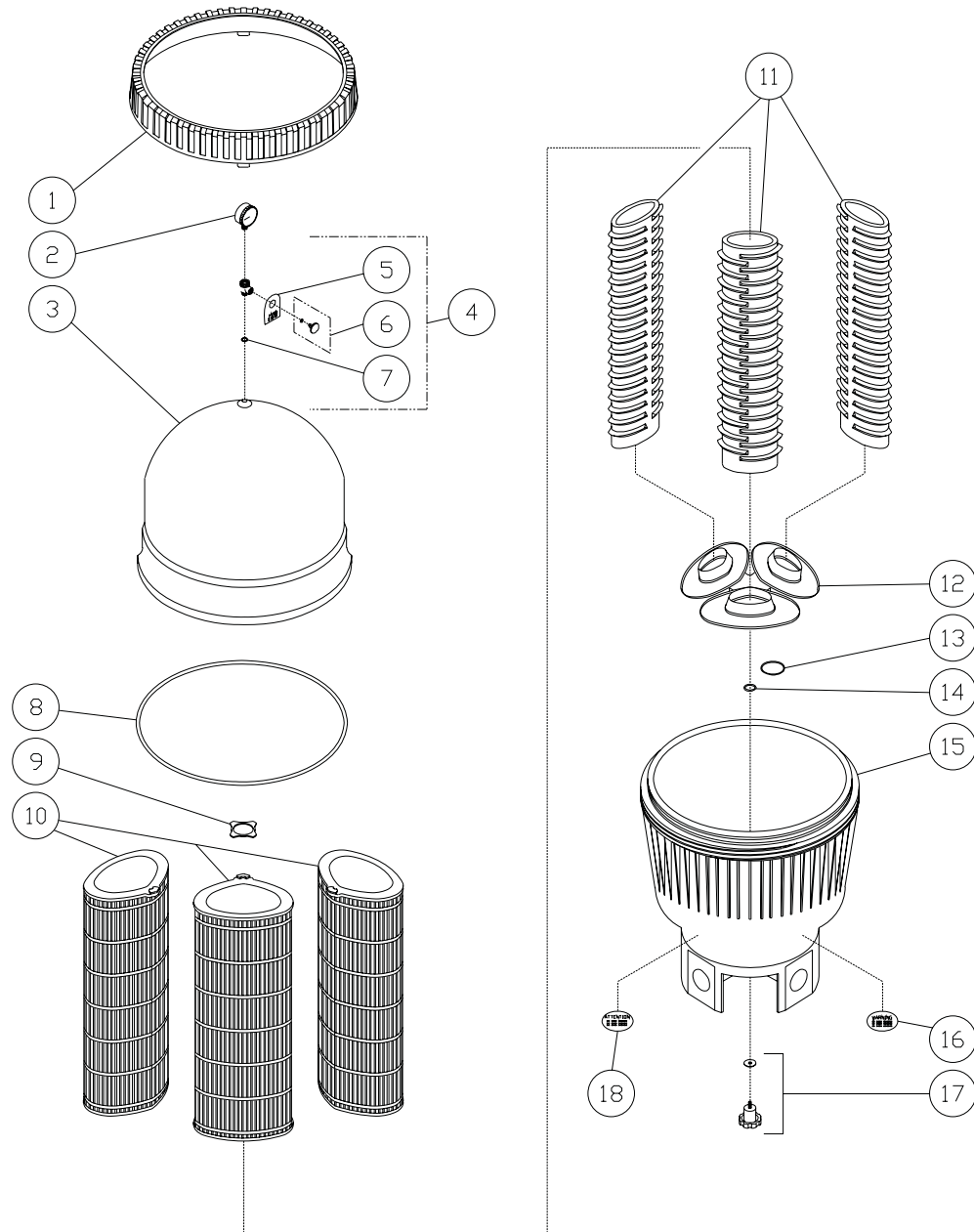


CARTRIDGE FILTER INLET-090905-ASY

CARTRIDGE FILTER INLET-090905-ASY

CARTRIDGE FILTER INLET ASSEMBLY			
REF. #	DESCRIPTION	PART#	QTY.
1	Union (Inc. O-ring 25-0448)	55-1645	2
-	O-ring	25-0448	2
2	Pipe *(1-1/2" x 18")	55-1600	1
3	Elbow	55-1609	2
4	Decal- Cartridge Filter (See 34-9010)	N/A Sep.	1
5	Decal- Stripe w/Logo	34-0725	1
6	Pipe *(1-1/2" x 36-5/8")	55-1600	1
7	Pipe *(1-1/2" x 4")	55-1600	1
8	Pipe *(1-1/2" x 2-3/4")	55-1600	2
9	Male Adapter	55-1622	2
10	Reducer Bushing	55-1833	2
11	Cartridge Filter	19-0602	1
	Decal Set (Inc. 4)	34-9010	
*Must Order in One Foot Lengths			

# CARTRIDGE FILTER (19-0602)

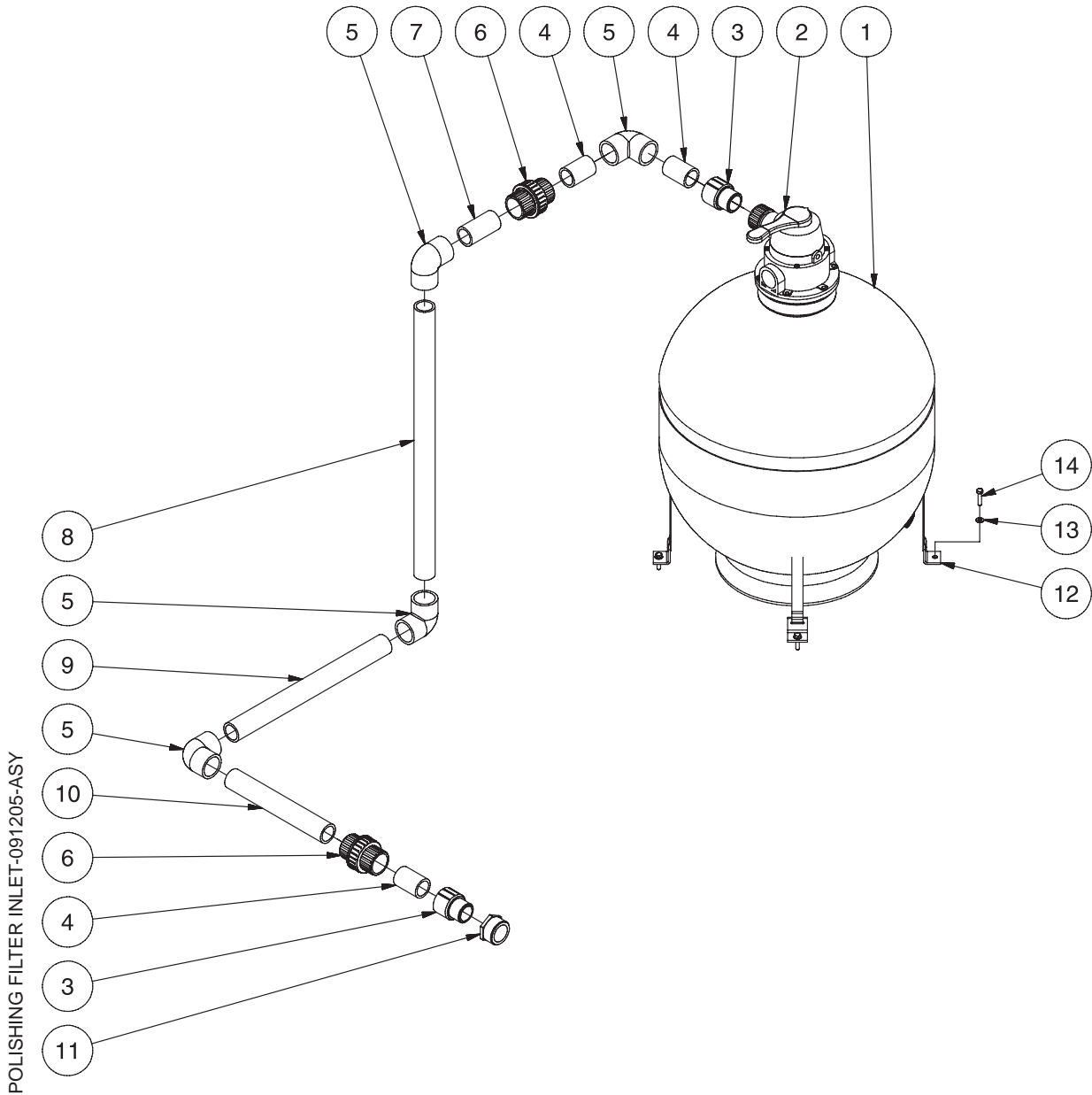


19-0602-041499-JRT

19-0602-041499-JTR

<b>CARTRIDGE FILTER (19-0602)</b>			
<b>REF. #</b>	<b>DESCRIPTION</b>	<b>PART#</b>	<b>QTY.</b>
1	Nut	19-0519	1
2	Pressure Gauge	22-0285	1
3	Cartridge Filter Top	19-0521	1
4	Valve Assembly (Includes 5-7)	19-0607	1
5	Decal- Caution: Air Vent	34-0959	1
6	Knob w/ O-ring	19-0517	1
7	O-ring	25-0123	1
8	O-ring	25-0453	1
9	Retainer Ring	19-0608	1
10	Filter	19-0099	3
11	Filter Support	19-0523	3
12	Manifold- Filter Support	19-0524	1
13	O-ring- Manifold Large	25-0454	1
14	O-ring- Manifold Small	25-0455	1
15	Cartridge Filter Base	19-0525	1
16	Decal- Warning: High Pressure	34-0960	1
17	Manifold Knob w/ Washer	7-0155	1
18	Decal- Attention: Reassembly Filter	34-0961	1

## POLISHING FILTER INLET

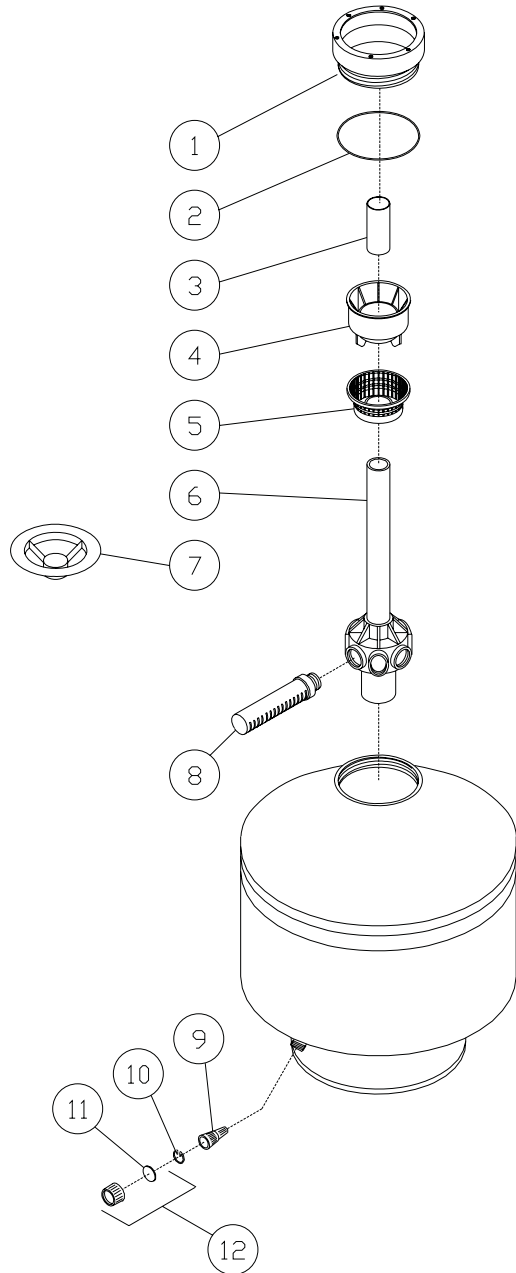


POLISHING FILTER INLET-091205-ASY

POLISHING FILTER INLET ASSEMBLY			
REF. #	DESCRIPTION	PART#	QTY.
1	Media Filter	19-0503	1
2	4-Way Dial Valve	55-0013	1
3	Male Adapter	55-1622	2
4	Pipe *(1-1/2" x 2-3/4")	55-1600	3
5	Elbow	55-1609	4
6	Union (Inc. O-ring 25-0448)	55-1645	2
-	O-ring	25-0448	2
7	Pipe *(1-1/2" x 3-5/8")	55-1600	1
8	Pipe *(1-1/2" x 2-3/4")	55-1600	1
9	Pipe *(1-1/2" x 19-3/8")	55-1600	1
10	Pipe *(1-1/2" x 2-3/4")	55-1600	1
11	Reducer Bushing	55-1833	1
12	Strap Assembly	33-0316	1
13	Washer	28-0122	4
14	Lag Bolt	27-5276	4
	Activated Carbon (55lb Bag)	33-0302	3
*Must Order in One Foot Lengths			



## POLISHING FILTER (19-0503)

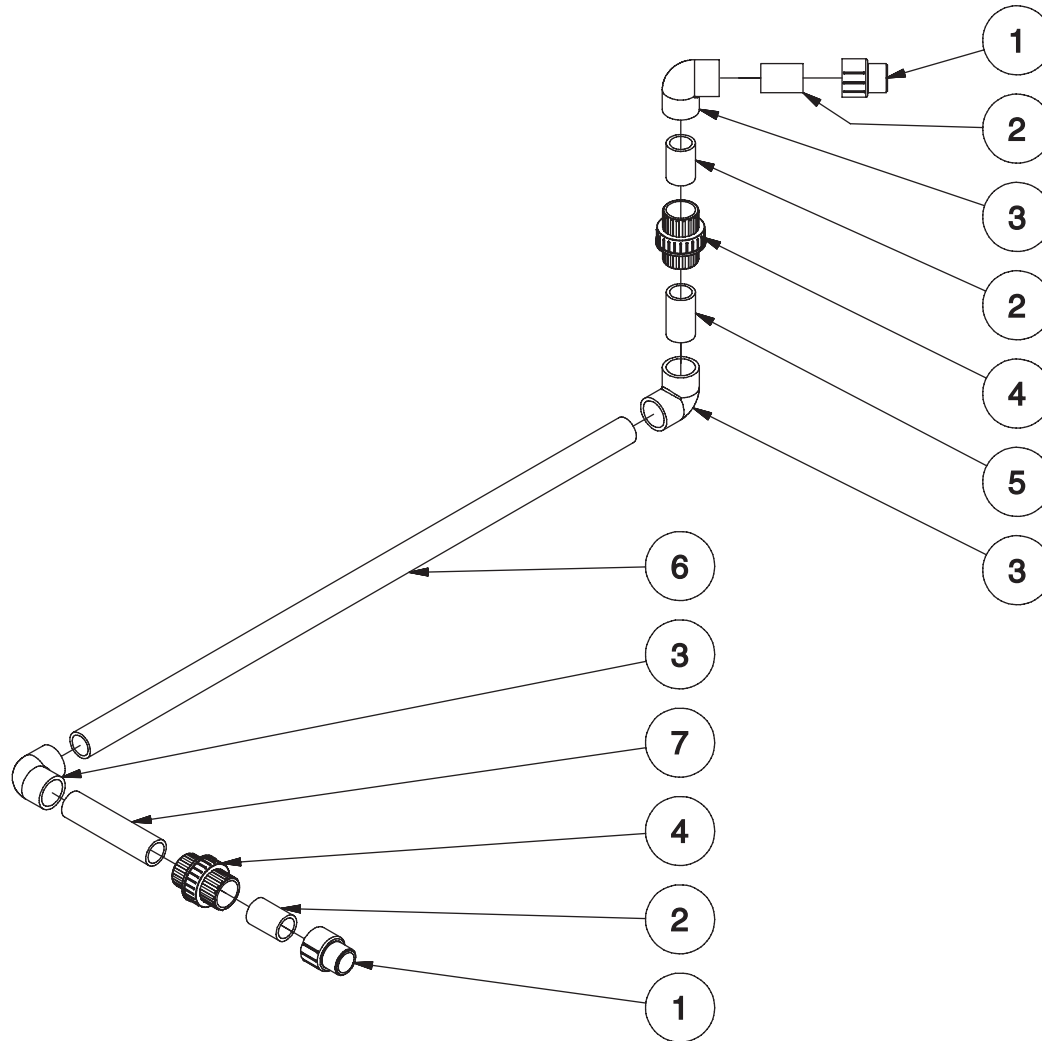


19-0503-021799-JTR

FILTER (19-0503)			
REF. #	DESCRIPTION	PART#	QTY.
1	Tank Adapter	19-0518	1
2	O-ring	25-0441	1
3	Pipe	55-0029	1
4	Diverter	19-0511	1
5	Filter Basket	19-0513	1
6	Standpipe Assembly	55-0039	1
7	Fill Spout	19-0512	1
8	Lateral (Eight per package)	55-0041	1
9	Drain Nozzle	18-0335	1
10	Drain Nozzle Retainer	42-0029	1
11	Drain Nozzle Gasket	26-0212	1
12	Drain Cap (Includes Gasket 26-0212)	39-0108	1

19-503-021799-JTR

# PLUMBING: POLISHING FILTER TO HOLDING TANK

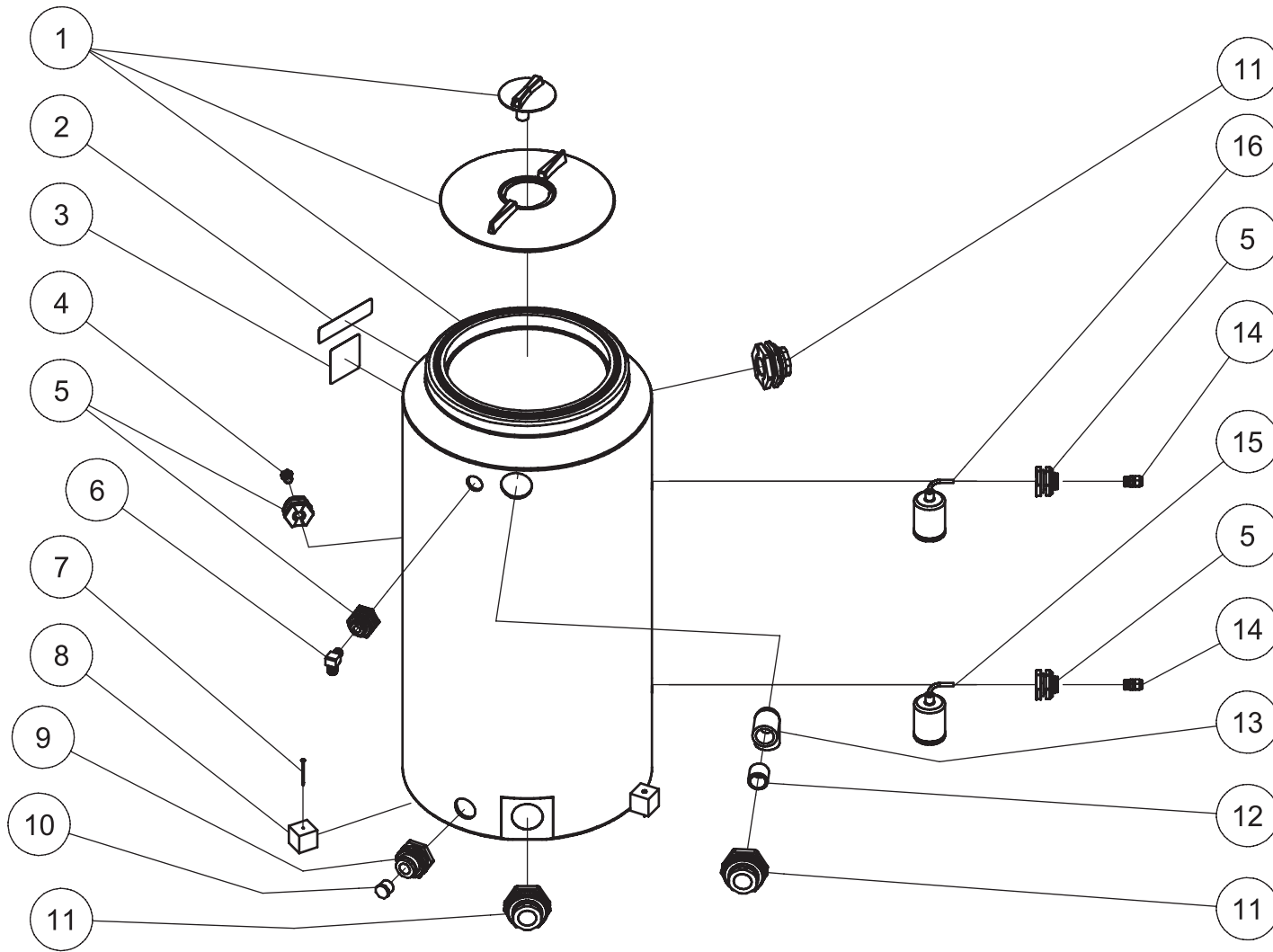


POLISHING FILTER O HOLDING TANK PLUMBING-091205-ASY

POLISHING FILTER TO HOLDING TANK PLUMBING-091205-ASY

PLUMBING: POLISHING FILTER TO HOLDING TANK			
REF. #	DESCRIPTION	PART#	QTY.
1	Male Adapter	55-1622	2
2	Pipe *(1-1/2" x 2-3/4")	55-1600	3
3	Elbow	55-1609	3
4	Union (Inc. O-ring 25-0448)	55-1645	2
-	O-ring	25-0448	2
5	Pipe *(1-1/2" x 3-3/8")	55-1600	1
6	Pipe *(1-1/2" x 50-1/4")	55-1600	1
7	Pipe *(1-1/2" x 7-3/4")	55-1685	1
*Must Order in One Foot Lengths			

# PRODUCT TANK ASSEMBLY

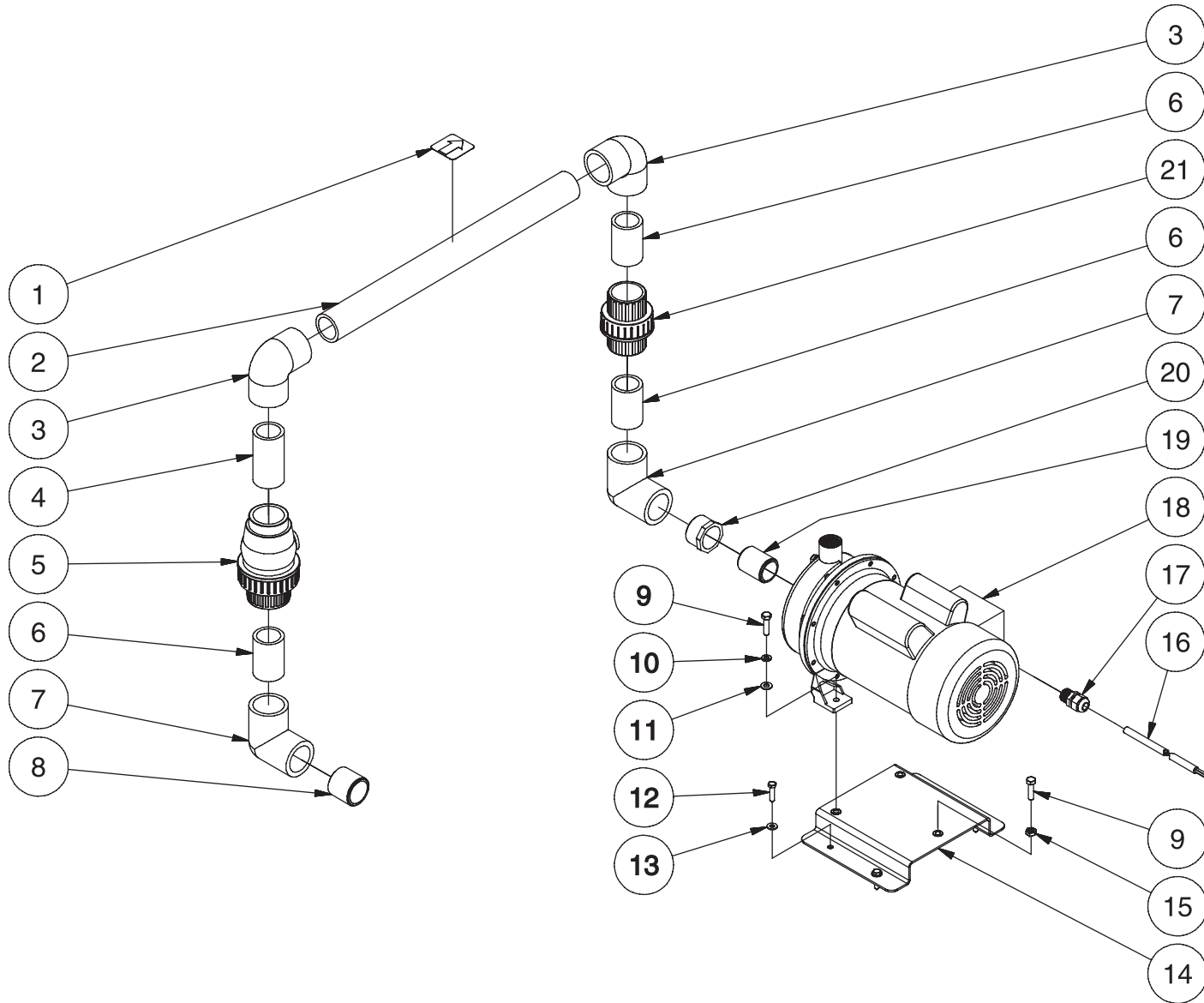


PRODUCT TANK ASSEMBLY-122206-PJH

PRODUCT TANK ASSEMBLY-122206-PJH

PRODUCT TANK ASSEMBLY			
REF. #	DESCRIPTION	PART#	QTY.
1	Vertical Product Tank	12-0083	1
2	Decal- Product Tank	N/A Sep.	1
3	Decal- Caution: Non-Potable Water (See 34-9010)	N/A Sep.	1
4	Plug	55-0840	1
5	Bulkhead Fitting (Inc. O-ring 25-0506)	55-0886	4
6	Elbow	23-0363	1
7	Screw	27-8925	3
8	Plastic Lumber	35-003404_200	3
9	Bulkhead Fitting (Inc. O-ring 25-0481)	55-1686	3
10	Nipple	55-1674	1
11	Elbow	55-1610	1
12	Strain Relief	32-0437	2
13	Float N.C. w/Cord	32-0663	1
14	Float N.O. w/Cord	32-0664	1
	Decal Set (Inc. 2-3)	34-9010	
*Must Order in One Foot Lengths			

# TRANSFER PUMP ASSEMBLY

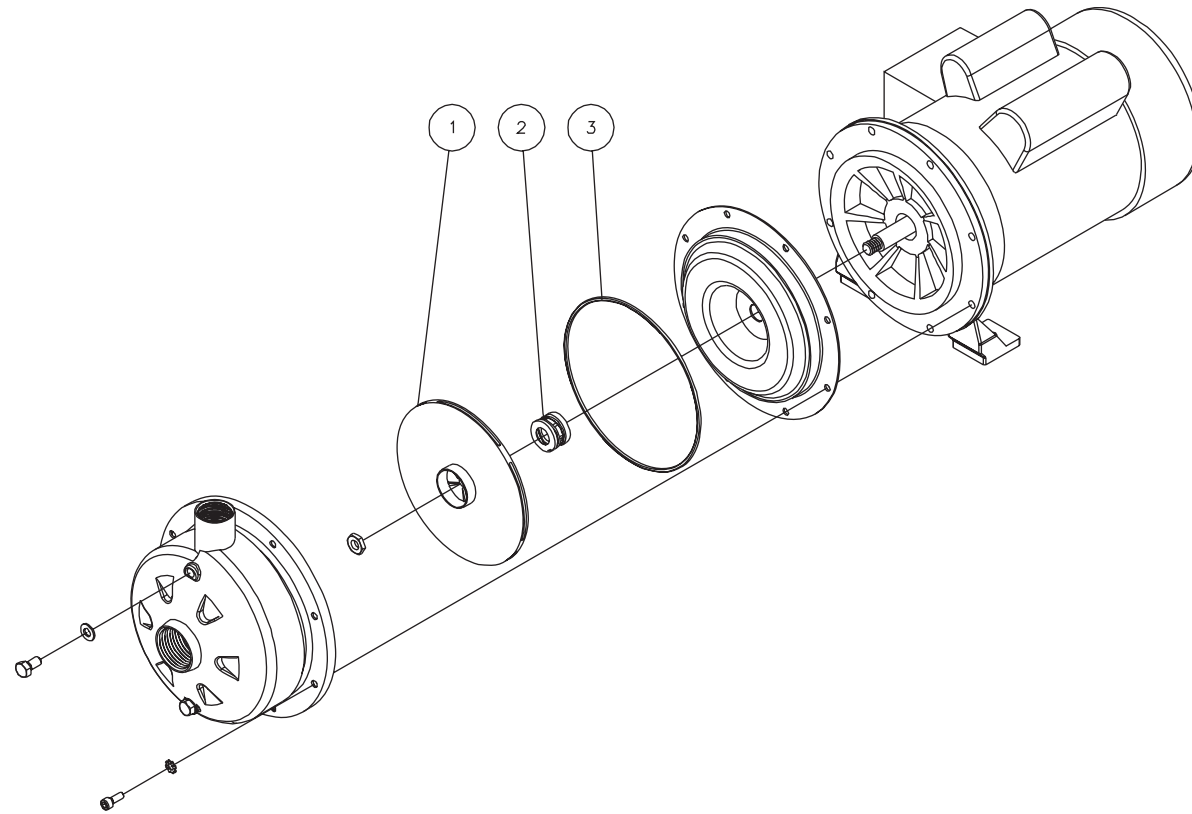


TRANSFER PUMP ASSEMBLY-091305-ASY

## TRANSFER PUMP ASSEMBLY-091305-ASY

TRANSFER PUMP ASSEMBLY							
REF. #	DESCRIPTION	PART#	QTY.	REF. #	DESCRIPTION	PART#	QTY.
1	Decal- Arrow (See 34-9010)	N/A Sep.	1	13	Washer	28-0121	4
2	Pipe *(1-1/2" x 21")	55-1600	1	14	Pump Hat	21-0140	1
3	Elbow	55-1609	2	15	Hex Nut	30-0004	1
4	Pipe *(1-1/2" x 3-5/8")	55-1600	1	16	Cord *(Ten Feet Required)	32-0074	1
5	Ball Check Valve	55-1652	1	17	Strain Relief	32-0437	1
6	Pipe *(1-1/2" x 2-3/4")	55-1600	3	18	Transfer Pump	3-0218	1
7	Elbow	55-1610	2	19	Nipple	55-1474	1
8	Nipple	55-1674	1	20	Reducer Bushing	55-1633	1
9	Bolt	27-8963	3	21	Union (Inc. O-ring 25-0448)	55-1645	1
10	Lockwasher	29-1007	2	-	O-ring	25-0448	1
11	Washer	28-0122	2		Decal Set (Inc. 1)	34-9010	
12	Lag Bolt	27-5277	4	*Must Order in One Foot Lengths			

# TRANSFER PUMP (3-0218)



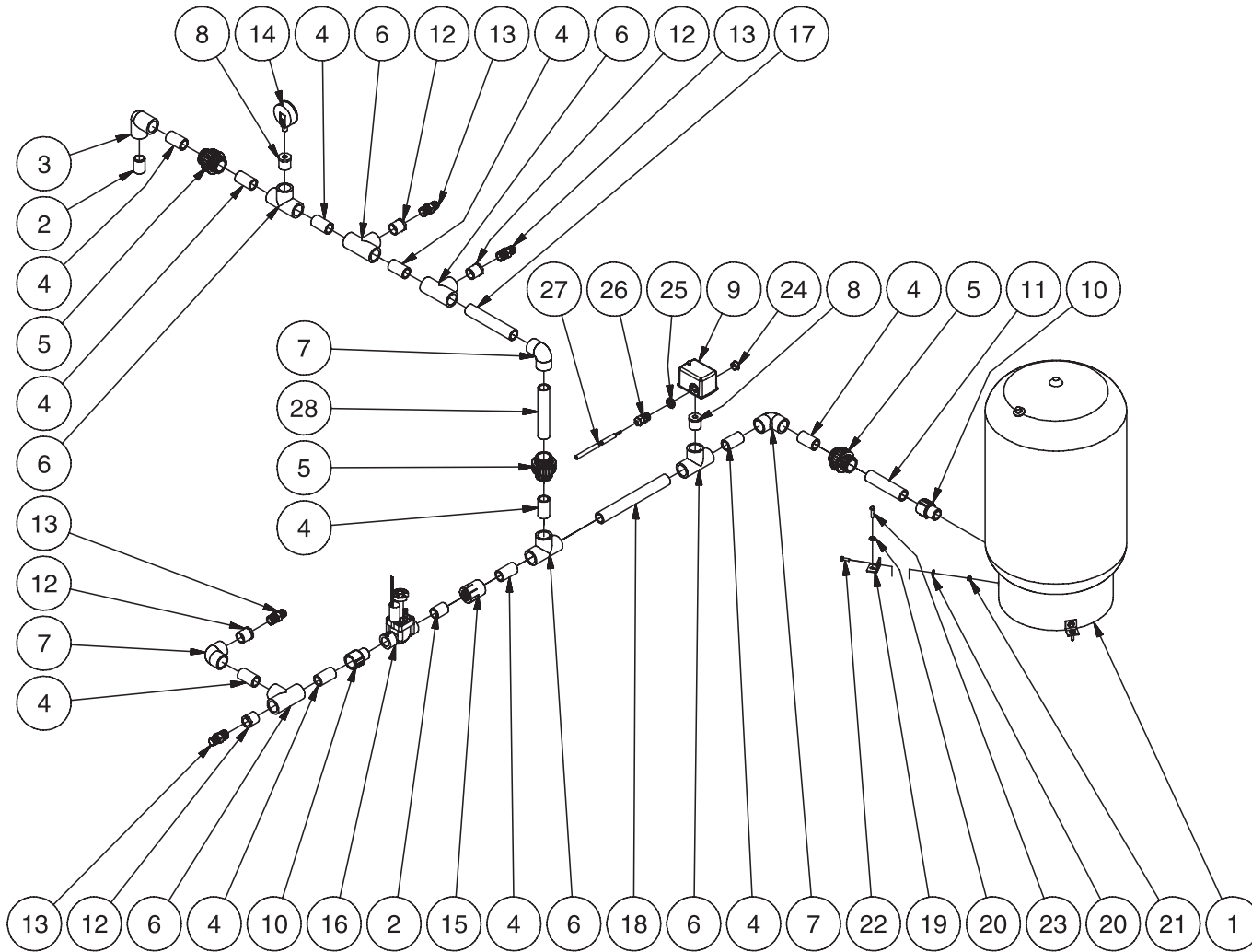
3-0218-070202-KS



3-0218-070202-KS

<b>TRANSFER PUMP (3-0218)</b>			
<b>REF. #</b>	<b>DESCRIPTION</b>	<b>PART #</b>	<b>QTY.</b>
1	Impeller	46-1073	1
2	Seal	26-0266	1
3	O-ring	25-0540	1
	Complete Transfer Pump	3-0218	

# PRESSURE TANK ASSEMBLY

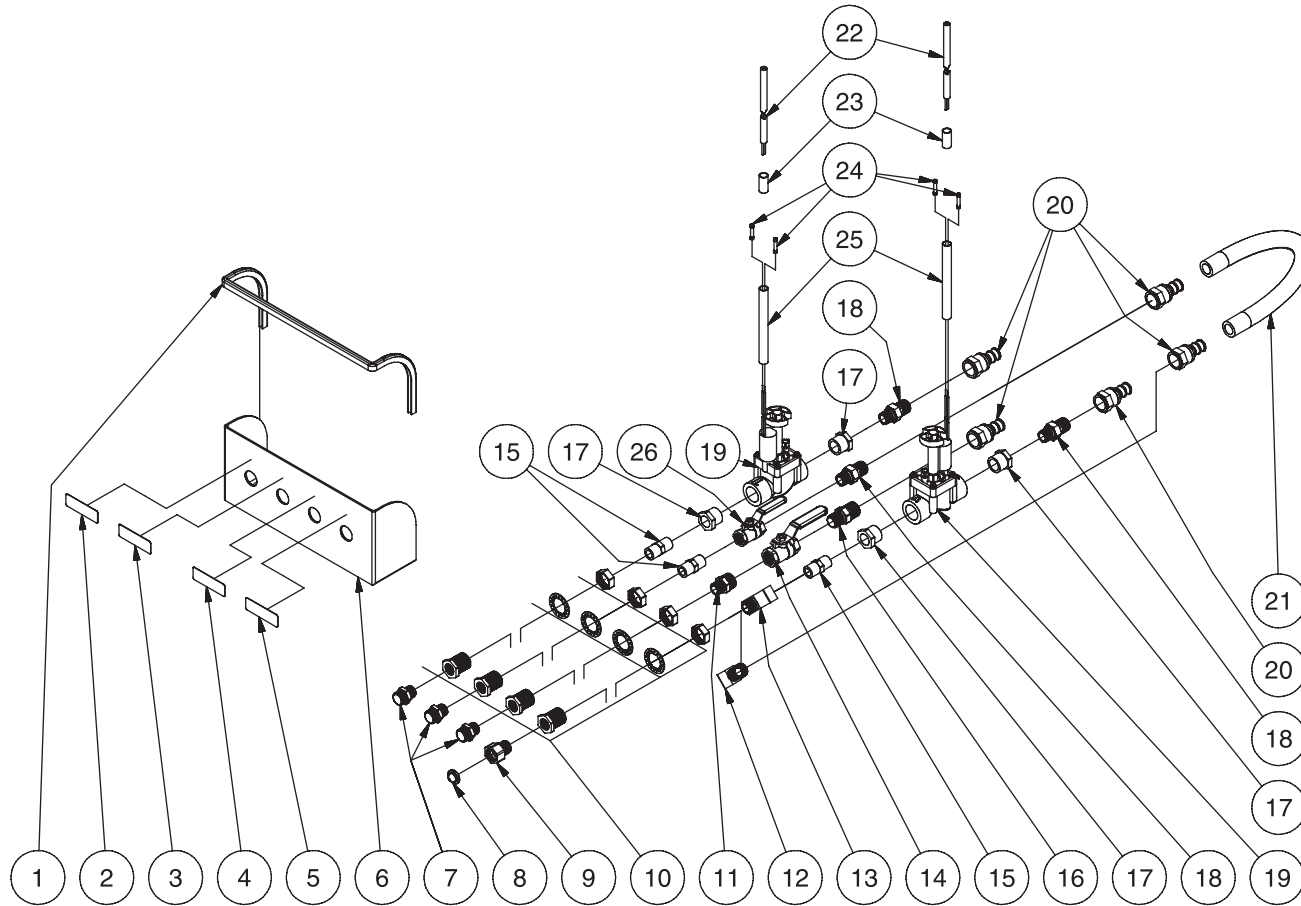


PRESSURE TANK ASSEMBLY-082405-ASY

PRESSURE TANK ASSEMBLY-082405-ASY

PRESSURE TANK ASSEMBLY							
REF. #	DESCRIPTION	PART#	QTY.	REF. #	DESCRIPTION	PART#	QTY.
1	Vertical Pressure Tank	12-0081	1	15	Female Adapter	55-1221	1
2	Nipple	55-1274	2	16	Solenoid Valve	55-0102	1
3	Elbow	55-1210	1	17	Pipe *(1" x 7")	55-1200	1
4	Pipe *(1" x 2-1/4")	55-1200	10	18	Pipe *(1" x 10-1/2")	55-1200	1
5	Union (Inc. O-ring 25-0447)	55-1245	3	19	Pressure Tank Hold Down Bracket	21-0127	3
-	O-ring	25-0447	3	20	Washer	28-0122	9
6	Tee	55-1201	6	21	Locknut	30-5155	3
7	Elbow	55-1209	3	22	Bolt	27-5016	3
8	Reducer Bushing	55-1231	2	23	Lag Bolt	27-5277	3
9	Pressure Switch	22-0304	1	24	Plug	39-0014	1
10	Male Adapter	55-1222	2	25	Locknut	32-0108	1
11	Pipe *(1" x 5-3/8")	55-1200	1	26	Strain Relief	32-0437	1
12	Reducer Bushing	55-1228	4	27	Cord *(Six Feet Required)	32-0075	1
13	Nipple	23-0362	4	28	Pipe *(1" x 6-5/8")	55-1200	1
14	Pressure Gauge	22-0280	1	*Must Order in One Foot Lengths			

# LOW PROFILE MANIFOLD ASSEMBLY

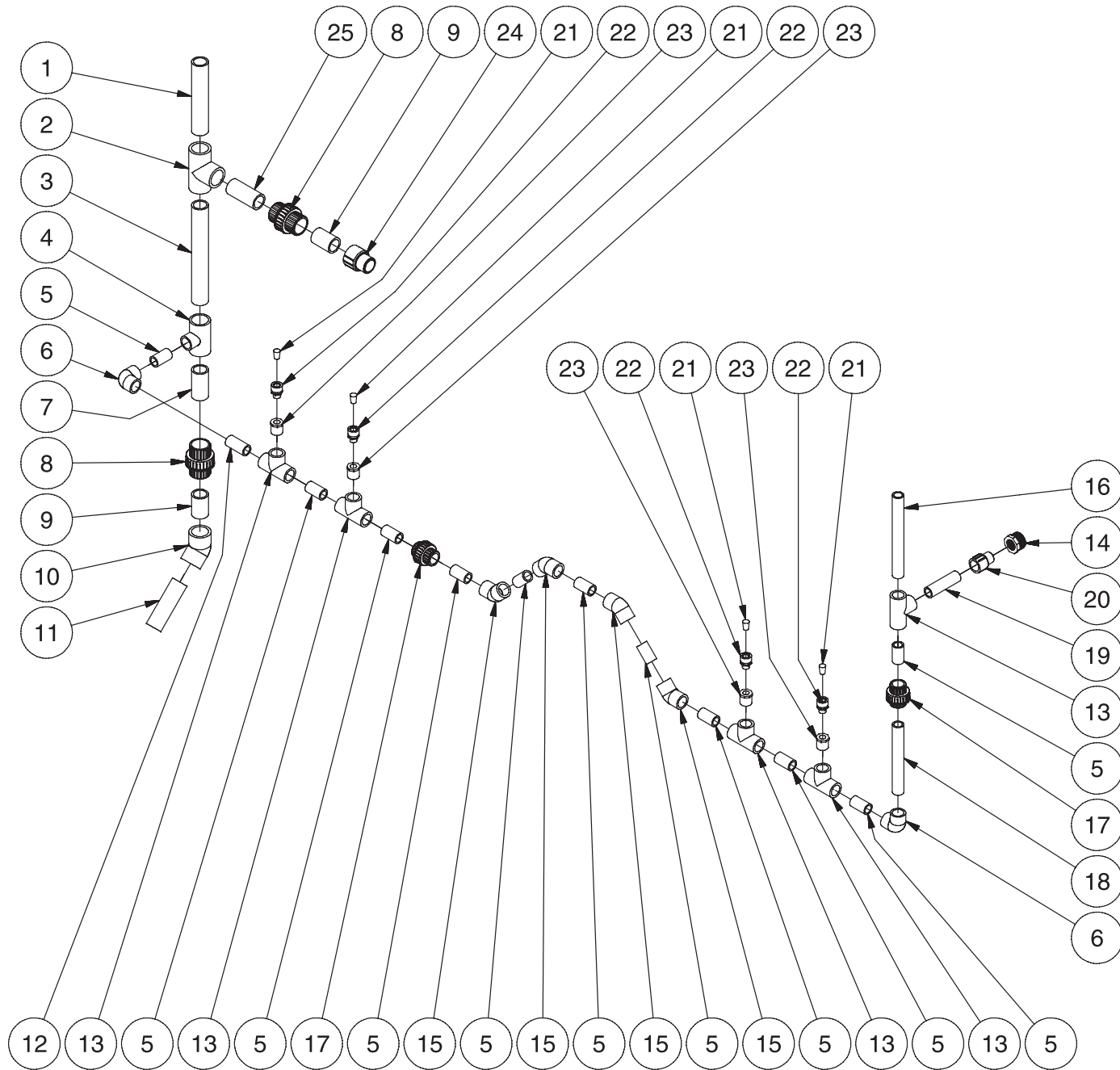


LOW PROFILE MANIFOLD ASSEMBLY-081905-ASY

LOW PROFILE MANIFOLD ASSY- 081905-ASY

LOW PROFILE MANIFOLD ASSEMBLY							
REF. #	DESCRIPTION	PART#	QTY.	REF. #	DESCRIPTION	PART#	QTY.
1	Edging *(Three Feet Required)	33-0020	1	14	Ball Valve	22-0279	1
2	Decal- Rain Water Overflow	34-0878	1	15	Nipple	23-0012	3
3	Decal- Rinse Water Outlet	34-0876	1	16	Nipple	23-0362	1
4	Decal- Pressure Washer Outlet	34-0877	1	17	Reducer Bushing	55-1234	4
5	Decal- Fresh Water Inlet	34-0879	1	18	Nipple	23-0359	3
6	Manifold Bracket	21-0116	1	19	Solenoid Valve	55-0102	2
7	Adapter	23-0136	3	20	Hose Barb	23-0358	3
8	Inlet Filter	19-0001	1	21	Hose *(Two Feet Required)	15-0033	1
9	Garden Hose Swivel	23-0095	1	22	Cord *(Six Feet Required)	32-0075	2
10	Tank Adapter	23-0365	4	23	Heat Shrink *(One Foot Required)	33-0219	2
11	Nipple	23-0082	1	24	Connector	32-0122	4
12	Elbow	23-0363	1	25	Heat Shrink *(One Foot Required)	33-0219	2
13	Tee	23-0124	1	26	Ball Valve	22-0278	1
*Must Order in One Foot Lengths							

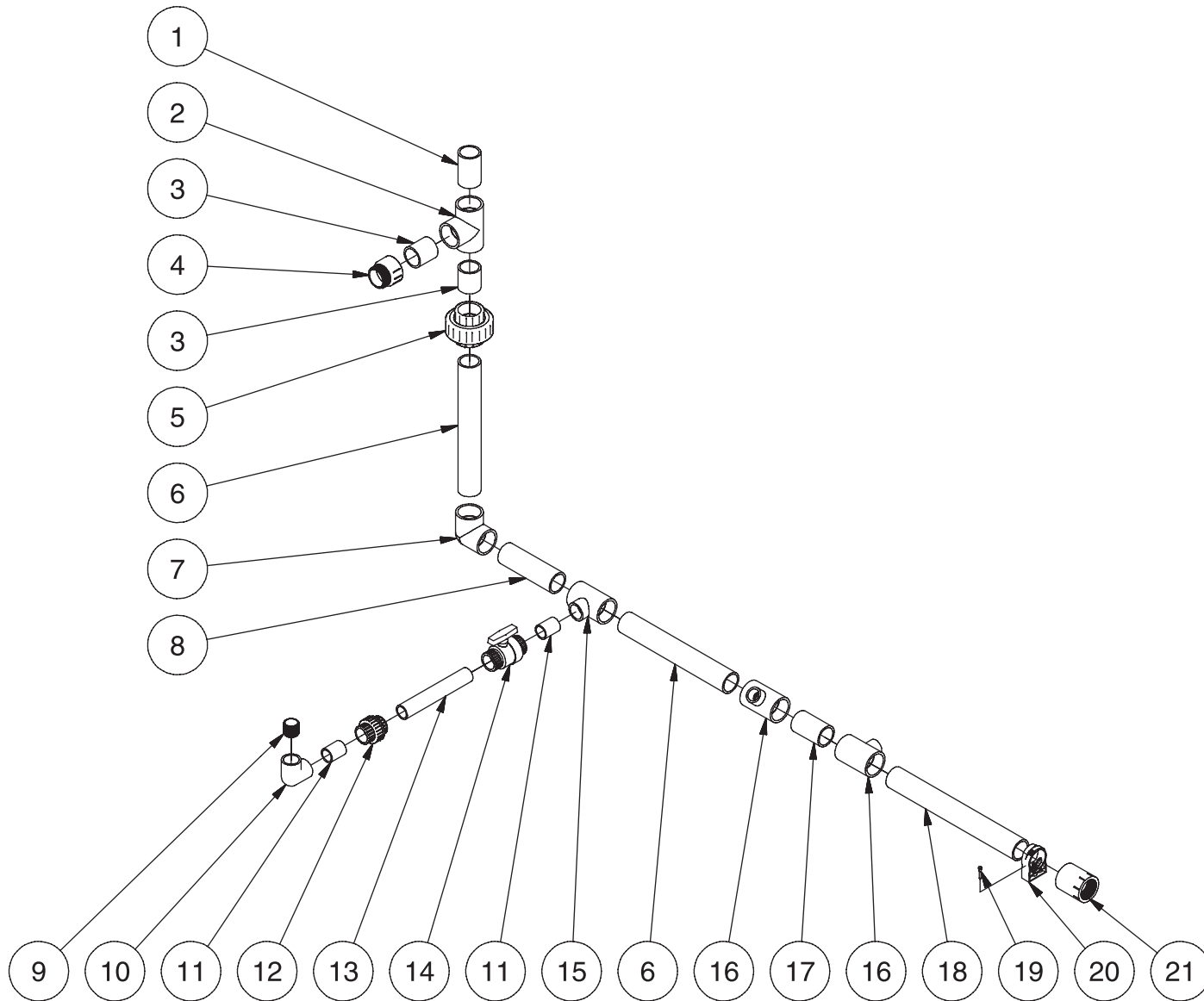
# PLUMBING: PH & ORP SENSOR



PH & ORP SENSOR PLUMBING-090905-ASY

PLUMBING: PH & ORP SENSOR							
REF. #	DESCRIPTION	PART#	QTY.	REF. #	DESCRIPTION	PART#	QTY.
1	Pipe *(1-1/2" x 9-1/2")	55-1600	1	14	Reducer Bushing	55-1634	1
2	Tee	55-1601	1	15	Elbow	55-1212	4
3	Pipe *(1-1/2" x 13-1/8")	55-1600	1	16	Pipe *(1" x 11")	55-1200	1
4	Tee	55-1603	1	17	Union (Inc. O-ring 25-0447)	55-1245	2
5	Pipe *(1" x 2-1/4")	55-1200	11	-	O-ring	25-0447	2
6	Elbow	55-1209	2	18	Pipe *(1" x 9-1/4")	55-1200	1
7	Pipe *(1-1/2" x 3-5/8")	55-1600	1	19	Pipe *(1" x 4-1/2")	55-1200	1
8	Union (Inc. O-ring 25-0448)	55-1645	2	20	Male Adapter	55-1222	1
-	O-ring	25-0448	2	21	Plug	32-0559	4
9	Pipe *(1-1/2" x 2-3/4")	55-1600	2	22	Strain Relief	32-0550	4
10	Elbow	55-1612	1	23	Reducer Bushing	55-1229	4
11	Pipe *(1-1/2" x 5-7/8")	55-1600	1	24	Male Adapter	55-1622	1
12	Pipe *(1" x 2-3/4")	55-1200	1	25	Pipe *(1-1/2" x 4-1/4")	55-1600	1
13	Tee	55-1201	5	*Must Order in One Foot Lengths			

# PLUMBING: MAIN DRAIN LINE



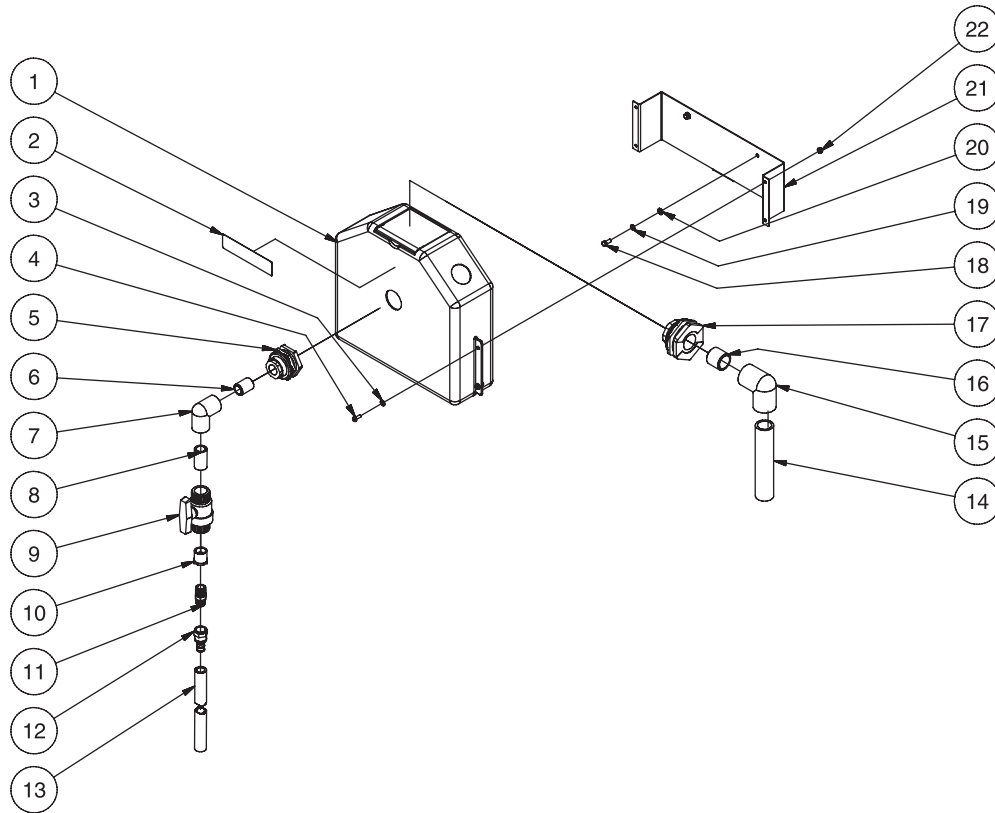
MAIN DRAIN LINE-091905-ASY



PLUMBING: MAIN DRAIN LINE								
REF. #	DESCRIPTION	PART#	QTY.		REF. #	DESCRIPTION	PART#	QTY.
1	Pipe *(3" x 5-1/2")	55-2200	1		12	Union (Inc. O-ring 25-0449)	55-1845	1
2	Tee	55-2201	1		-	O-ring	25-0449	1
3	Pipe *(3" x 3-3/4")	55-2200	2		13	Pipe *(2" x 14")	55-1800	1
4	Male Adapter	55-2222	1		14	Ball Valve	55-1855	1
5	Union (Inc. O-ring 25-0450)	55-2245	1		15	Tee	55-2203	1
-	O-ring	25-0450	1		16	Reducer Tee	55-2204	2
6	Pipe *(3" x 22-3/8")	55-2200	1		17	Pipe *(3" x 5-3/4")	55-2200	1
7	Elbow	55-2209	1		18	Pipe *(3" x 27")	55-2200	1
8	Pipe *(3" x 10")	55-2200	1		19	Lag Bolt	27-5275	1
9	Nipple	55-1874	1		20	Pipe Clamp	42-0045	1
10	Elbow	55-1810	1		21	Female Adapter	55-2221	1
11	Pipe *(2" x 3")	55-1800	2		*Must Order in One Foot Lengths			

# OIL DECANTER ASSEMBLY

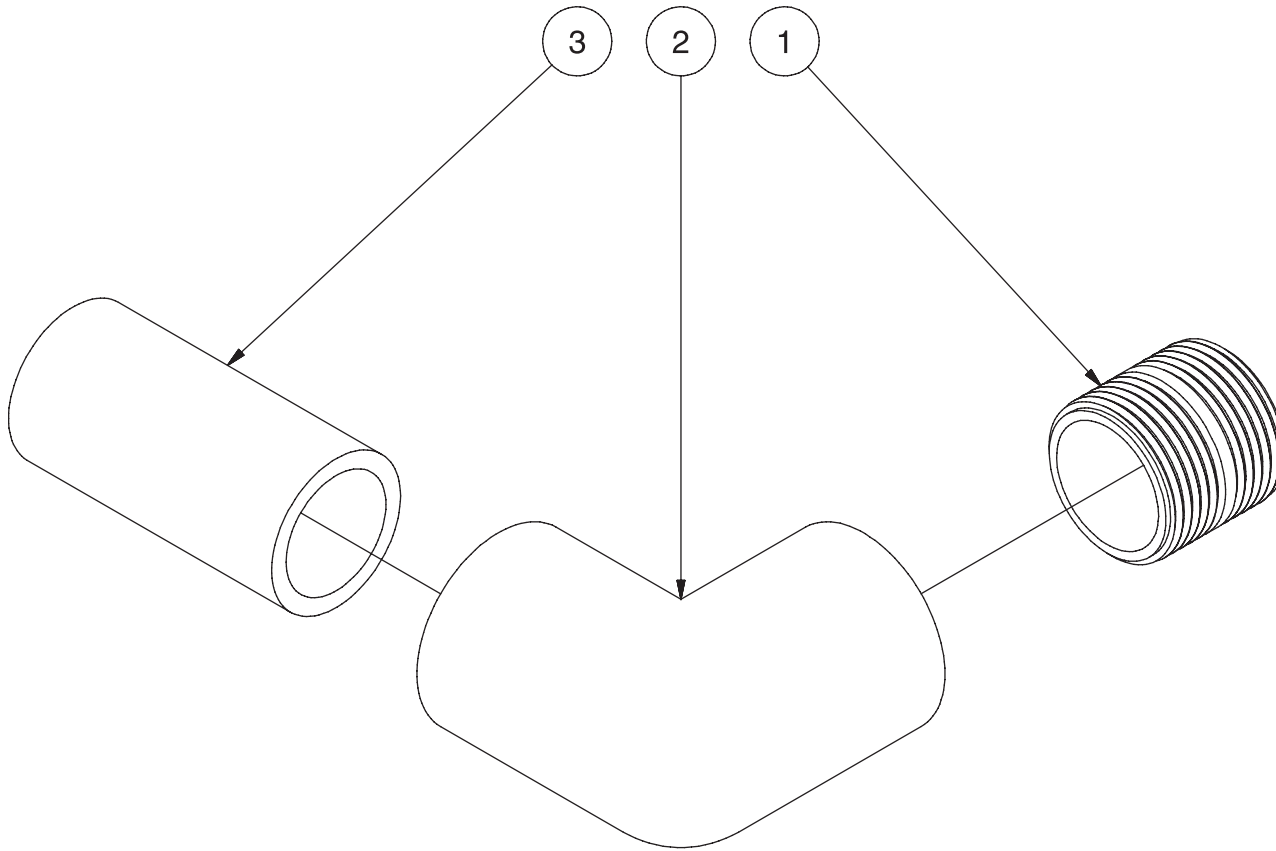
OIL DECANTER ASSY-021105-ASY



OIL DECANTER ASSEMBLY			
REF. #	DESCRIPTION	PART#	QTY.
1	Oil Decanter Tank	12-0124	1
2	Decal- Oil Decanter	34-1151	1
3	Washer	28-0121	4
4	Bolt	27-5016	4
5	Bulkhead Fitting (Inc. O-ring 25-0482)	55-1286	1
-	O-ring	25-0482	1
6	Nipple	55-1274	1
7	Elbow	55-1210	1
8	Pipe *(1" x 2-1/4")	55-1200	1
9	Ball Valve	55-1255	1
10	Reducer Bushing	55-1228	1
11	Nipple	23-0362	1
12	Hose Barb	23-0358	1
13	Hose *(Seven Feet Required)	15-0033	1
14	Pipe *(1-1/2" x 9")	55-1600	1
15	Elbow	55-1610	1
16	Nipple	55-1674	1
17	Bulkhead Fitting (Inc. O-ring 25-0481)	55-1686	1
-	O-ring	25-0481	1
18	Bolt	27-5066	2
19	Lockwasher	29-0007	2
20	Washer	28-0122	2
21	Mounting Bracket	21-0172	1
22	Flange Nut	30-5202	4
*Must Order in One Foot Lengths			

OIL DECANTER ASSY-021105-ASY

# OIL DECANTER INLET

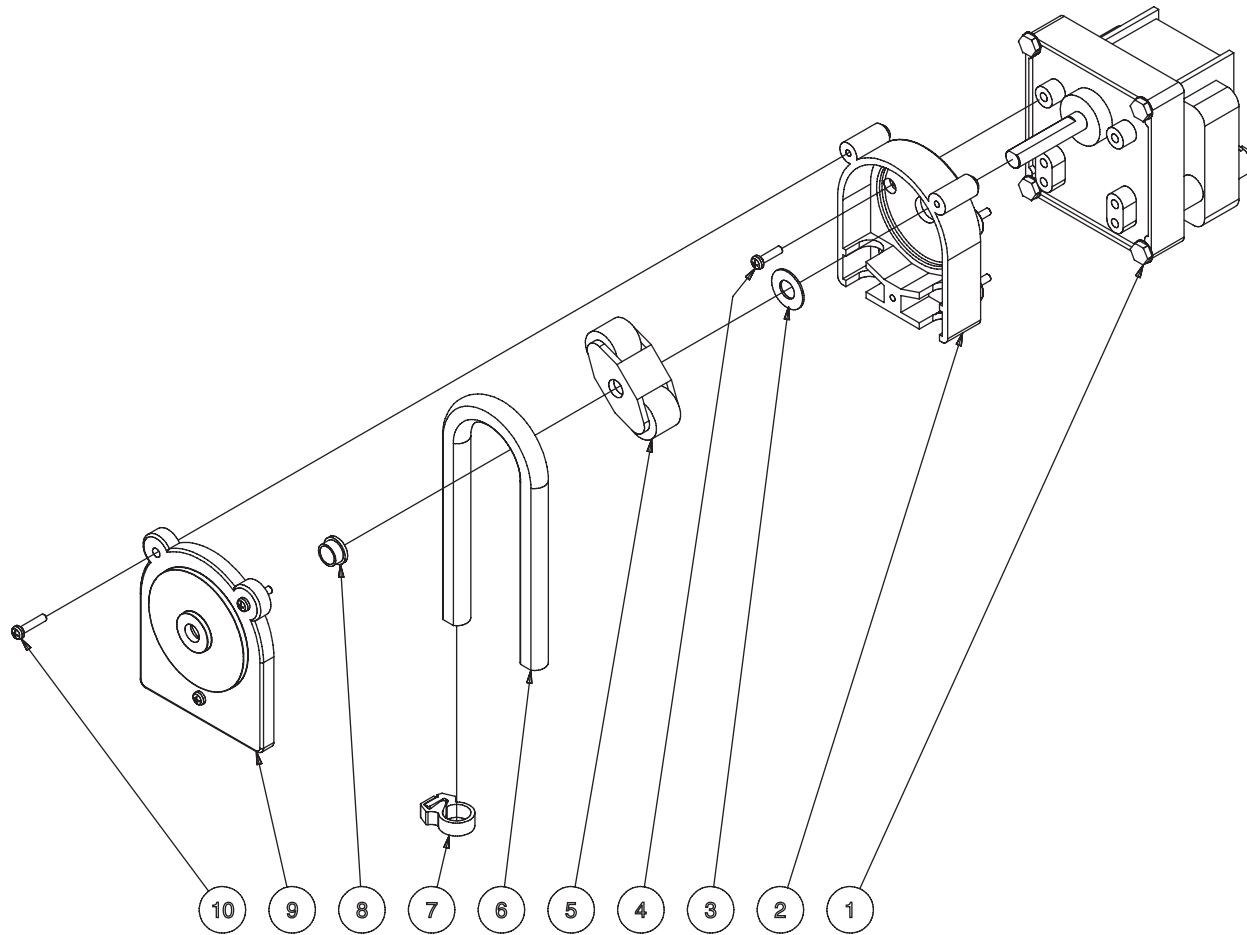


OIL DECANTER INLET-030304-ASY

OIL DECANTER INLET-030304-ASY

PLUMBING: OIL DECANTER INLET			
REF. #	DESCRIPTION	PART#	QTY.
1	Nipple	12-0124	1
2	Elbow	34-1151	1
3	Pipe *(1-1/2" x 3-7/8")	55-1600	1
*Must Order in One Foot Lengths			

# PH/ORP PUMP (3-0182)

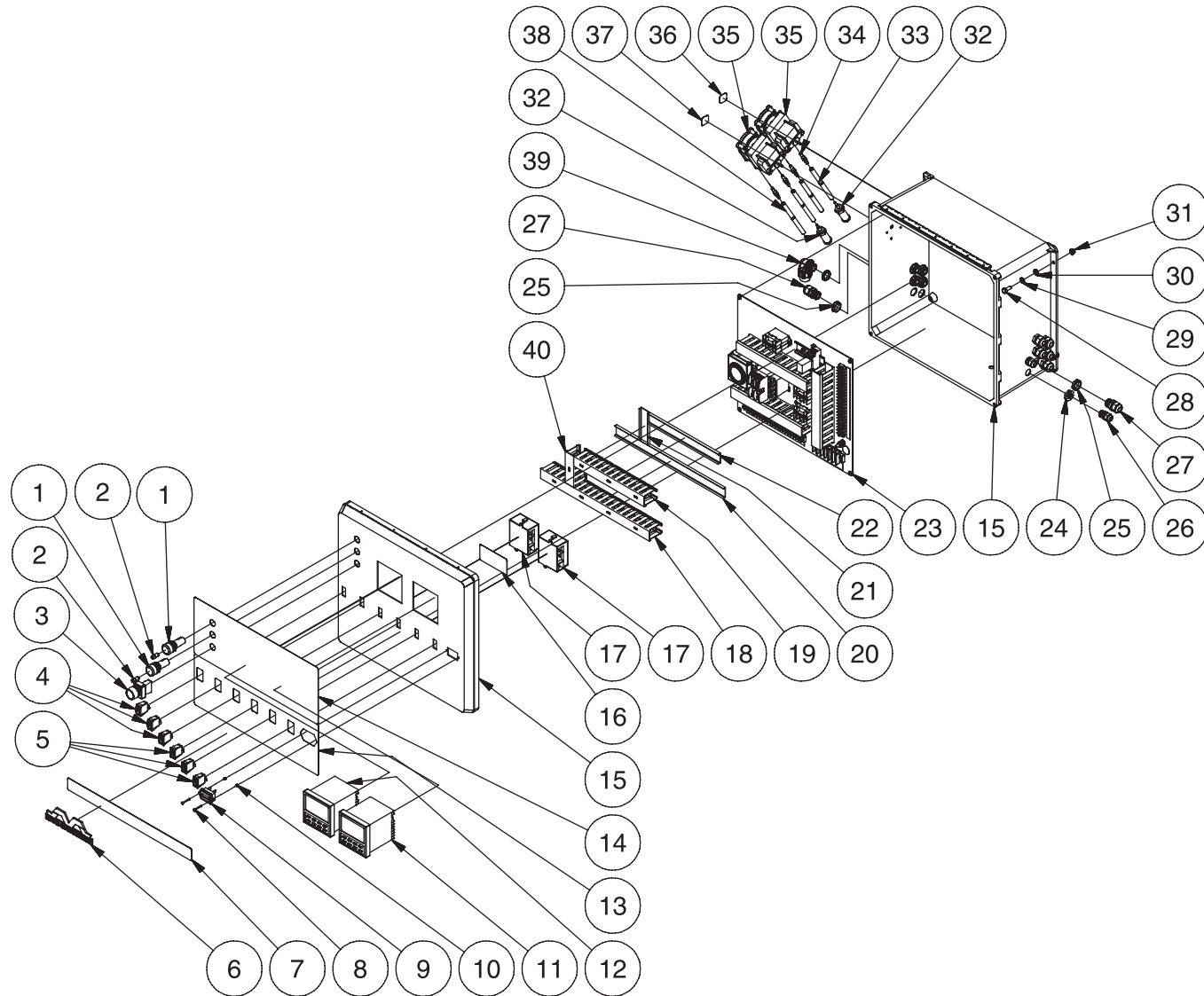


3-0182-042604-ASY

3-0182-042604-ASY

PH/ ORP PUMP (3-0182)			
REF. #	DESCRIPTION	PART#	QTY.
1	Motor	N/A	1
2	Housing (See 70-0245)	N/A Sep.	1
3	Screw	27-2771	4
4	Washer (See 70-0245)	N/A Sep.	1
5	Roller Bracket Assembly	46-0830	1
6	Tube	15-0205	1
7	Clamp	42-0028	1
8	Bushing	9-0080	1
9	Pump Cover (See 70-0245)	N/A Sep.	1
10	Screw (See 70-0245)	N/A Sep.	3
	PH/ORP Pump Kit (Includes 2, 4, 5, 9, 10)	70-0245	1
	PH/ORP Pump (Includes 1- 10)	3-0182	1

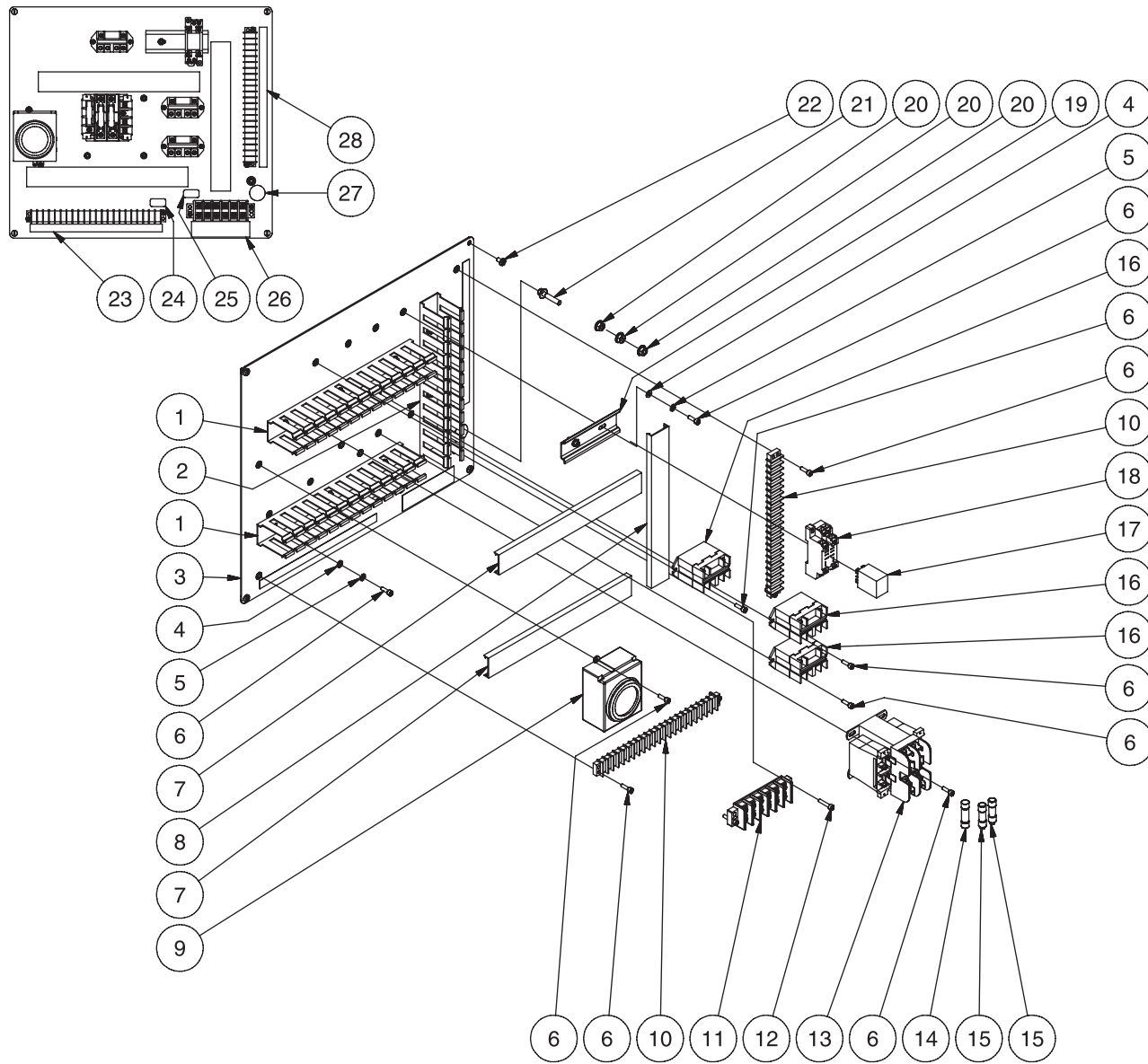
# CONTROL PANEL ASSEMBLY



CONTROL PANEL ASSY-091905-ASY

CONTROL PANEL ASSEMBLY							
REF. #	DESCRIPTION	PART#	QTY.	REF. #	DESCRIPTION	PART#	QTY.
1	Pilot Light	32-0803	2	22	Duct Wiring Cover *(One Foot Required)	32-0318	1
2	Bulb	32-0805	2	23	Control Panel Plate Assembly (See Exploded Drawing)	N/A Sep.	1
3	Push Switch	32-0534	1	24	Locknut	32-0587	2
4	Rocker Switch - 24V	32-0551	3	25	Locknut	32-0108	11
5	Rocker Switch - 240V	32-0552	3	26	Strain Relief	32-0586	2
6	Plastic Logo	62-0087	1	27	Strain Relief	32-0437	11
7	Decal- Stripe	34-0501	1	28	Bolt	27-5066	4
8	Bolt	27-8928	2	29	Lockwasher	29-0007	4
9	Hour Meter	32-0668	1	30	Washer	28-0122	4
10	Locknut	30-8151	2	31	Nut	30-5202	4
11	ORP Meter / Controller	32-0539	1	32	Detergent Strainer w/ Check Valve	19-0056	2
12	PH Meter / Controller	32-0538	1	33	Hose *(Ten Feet Required)	15-0021	2
13	Decal- Operating Instructions (See 34-9010)	N/A Sep.	1	34	Hose Mender	55-0022	4
14	Decal- Auto Backwash (See 34-9010)	N/A Sep.	1	35	Pump	3-0182	2
15	Electrical Box	32-0887	1	36	Decal- PH (See 34-9010)	N/A Sep.	2
16	Decal- Data Plate	N/A	1	37	Decal- ORP (See 34-9010)	N/A Sep.	2
17	Timer	32-0544	2	38	Hose *(Five Feet Required)	15-0021	2
18	Duct Wiring *(Two Feet Required)	32-0555	1	39	Conduit Elbow	32-0254	1
19	Duct Wiring *(One Foot Required)	32-0555	1	40	Duct Wiring *(One Foot Required)	32-0555	1
20	Duct Wiring Cover *(Two Feet Required)	32-0318	1		Decal Set (Inc. 13-14, 36-37)	34-9010	
21	Duct Wiring Cover *(One Foot Required)	32-0318	1	*Must Order in One Foot Lengths			

# CONTROL PANEL PLATE ASSEMBLY



CONTROL PANEL PLATE ASSY-091605-ASY

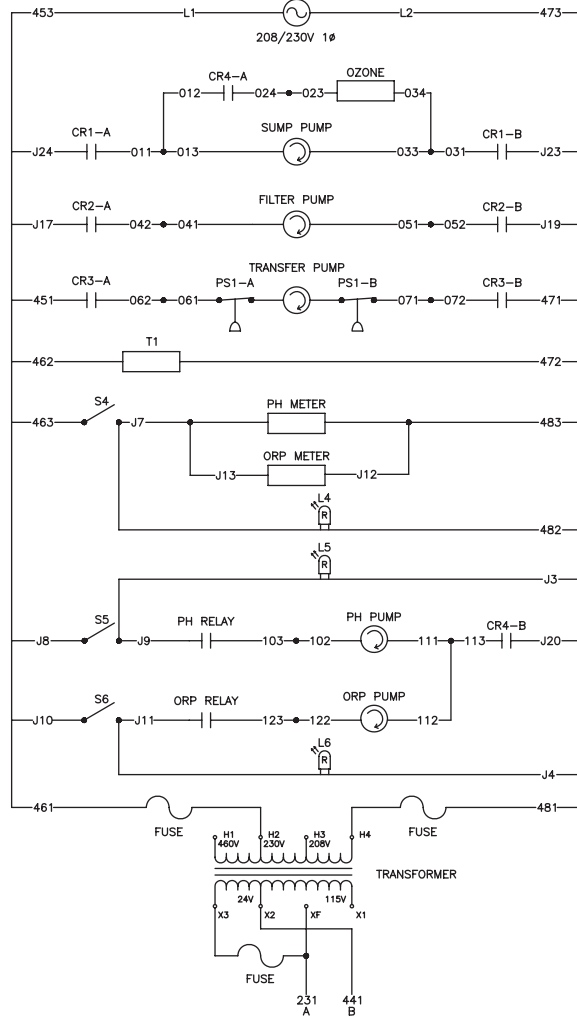


## CONTROL PANEL PLATE ASSEMBLY-091605-ASY

CONTROL PANEL PLATE ASSEMBLY							
REF. #	DESCRIPTION	PART#	QTY.	REF. #	DESCRIPTION	PART#	QTY.
1	Duct Wiring *(One Foot Required)	32-0555	2	16	Relay	32-0549	3
2	Duct Wiring *(One Foot Required)	32-0555	1	17	Relay	32-0547	1
3	Electrical Plate	20-0484A01	1	18	Relay Socket	32-0548	1
4	Washer	28-0010	10	19	Din Rail *(One Foot Required)	32-0316	1
5	Lockwasher	28-1009	10	20	Flange Nut	30-3022	3
6	Bolt	27-8835	24	21	Flange Screw	27-8898	1
7	Duct Wiring Cover *(One Foot Required)	32-0318	2	22	Screw	27-8933	4
8	Duct Wiring Cover *(One Foot Required)	32-0318	1	23	Decal- Terminal Strip (See 34-9010)	N/A Sep.	1
9	Timer	32-0544	1	24	Decal- 24V (See 34-9010)	N/A Sep.	1
10	Terminal Strip	32-0463	2	25	Decal- 230V (See 34-9010)	N/A Sep.	1
11	Terminal Block	32-0536	1	26	Decal- Terminal Strip (See 34-9010)	N/A Sep.	1
12	Bolt	27-8930	2	27	Decal- Ground Pictorial (See 34-9010)	N/A Sep.	1
13	Transformer	32-0313	1	28	Decal- Terminal Strip 1-22 (See 34-9010)	N/A Sep.	1
14	Fuse- 3.2 AMP	32-0323	1		Decal Set (Inc. 23-28)	34-9010	
15	Fuse- 0.5 AMP	32-0467	2				
*Must Order in One Foot Lengths							

# ELECTRICAL SCHEMATIC

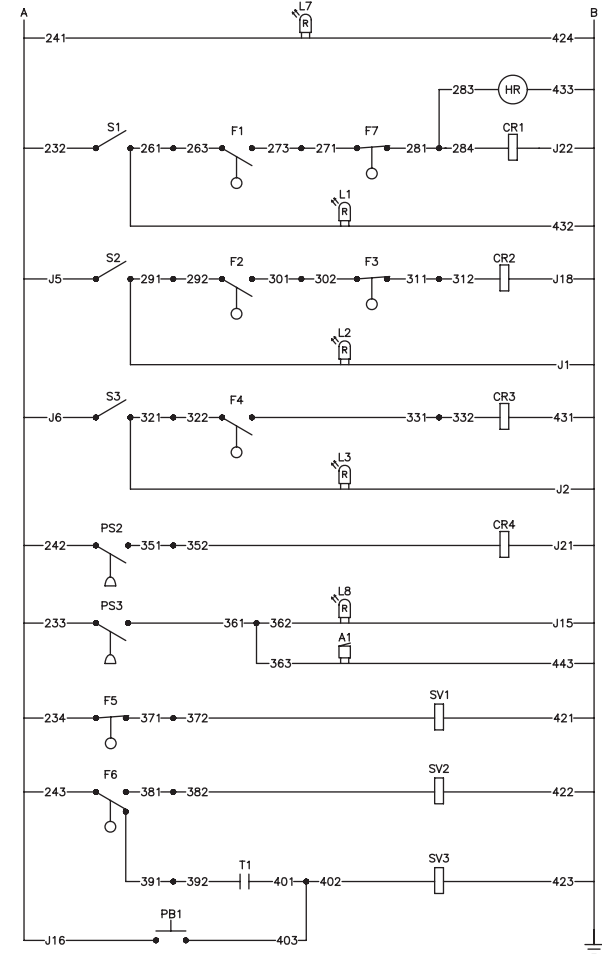
230V 1Ø LADDER DIAGRAM



LEGEND:

- CR1 = CONTROL RELAY, SUMP PUMP
- CR2 = CONTROL RELAY, FILTER PUMP
- CR3 = CONTROL RELAY, TRANSFER PUMP
- CR4 = CONTROL RELAY, CHEMICAL PUMPS
- S1 = SWITCH, SUMP PUMP
- S2 = SWITCH, FILTER PUMP
- S3 = SWITCH, TRANSFER PUMP
- S4 = SWITCH, PH/ORP METERS
- S5 = SWITCH, PH PUMP
- S6 = SWITCH, ORP PUMP
- L1 = LIGHT FOR S1
- L2 = LIGHT FOR S2
- L3 = LIGHT FOR S3
- L4 = LIGHT FOR S4
- L5 = LIGHT FOR S5
- L6 = LIGHT FOR S6
- L7 = POWER ON
- L8 = BACKWASH INDICATOR
- PS1 = PRESSURE SWITCH, 30-50 PSI, TRANSFER PUMP
- PS2 = PRESSURE SWITCH, 2 PSI, CHEMICAL PUMPS
- PS3 = PRESSURE SWITCH, 20 PSI, BACKWASH
- F1 = FLOAT SWITCH, N.O. BLUE, PIT
- F2 = FLOAT SWITCH, N.O. BLUE, FILTER TANK
- F3 = FLOAT SWITCH, N.C. RED, PRODUCT TANK
- F4 = FLOAT SWITCH, N.O. BLUE, PRODUCT TANK
- F5 = FLOAT SWITCH, N.C. RED, PIT
- F6 = FLOAT SWITCH, N.O./N.C. GREEN, PIT
- F7 = FLOAT SWITCH, N.C. FINGER, SHUT OFF
- SV1 = SOLENOID VALVE, FRESHWATER MAKE-UP
- SV2 = SOLENOID VALVE, DISCHARGE
- SV3 = SOLENOID VALVE, TIMER/RECIRCULATE
- T1 = TIMER, RECIRCULATION, TIMED CLOSED
- PB1 = PUSH BUTTON SWITCH, BACKWASH
- H = HOUR METER, SUMP PUMP

24V 1Ø LADDER DIAGRAM



LADDER DIAGRAM-WLP-08/20/30-10-0M10-071102-KS

# ELECTRICAL DIAGRAM

WIRE DIAGRAM-WLP-30/40-0M10-042602-KS

ALL WIRES ARE 16 AWG UNLESS OTHERWISE NOTED

